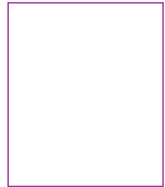
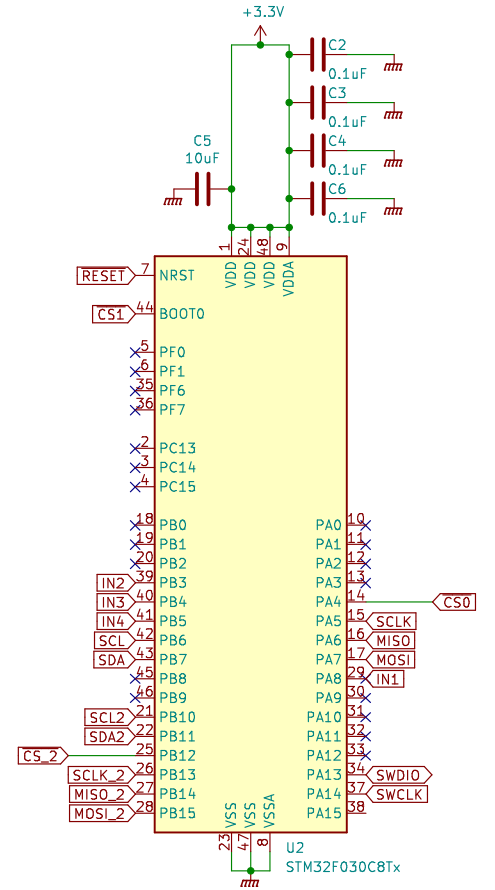
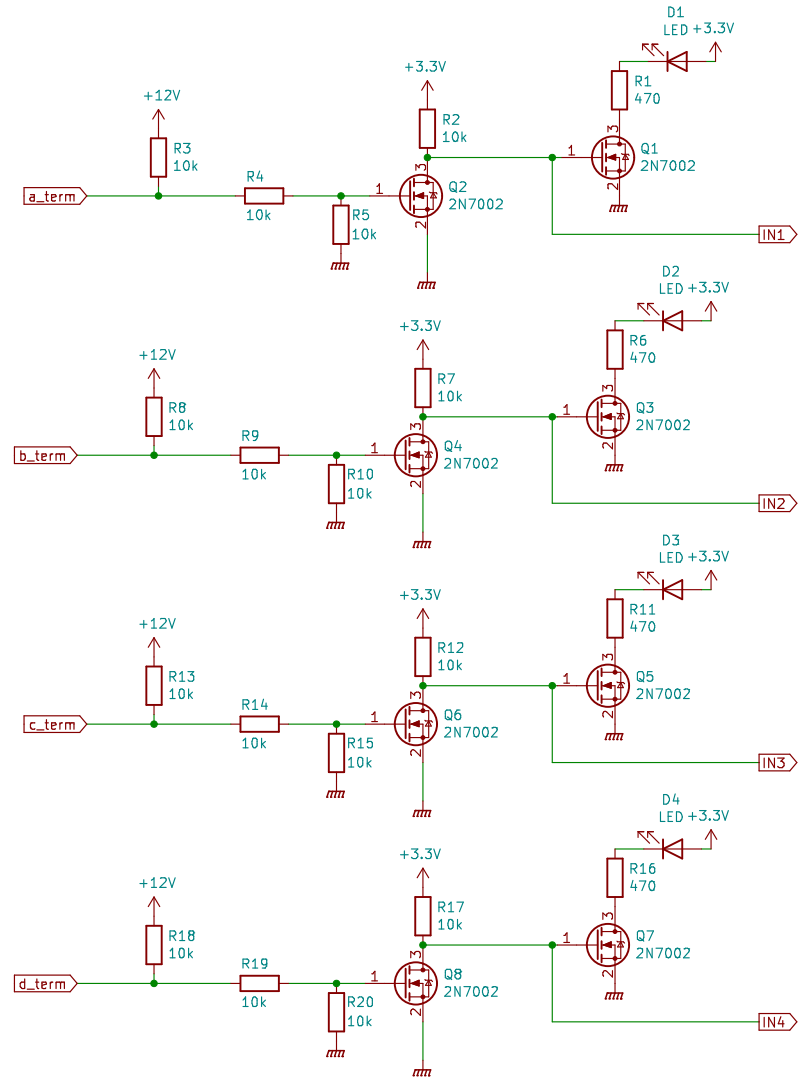
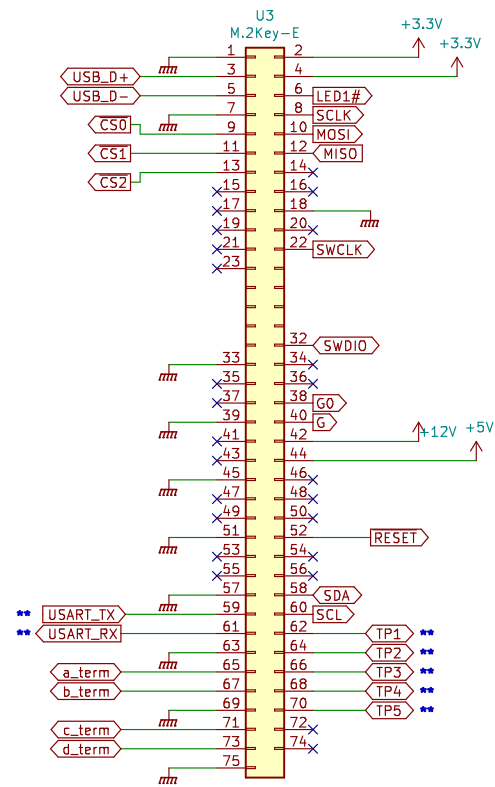


ExpansionConnector



File: expansion.kicad_sch





** Only on TEST & CALIBRATION RIGS