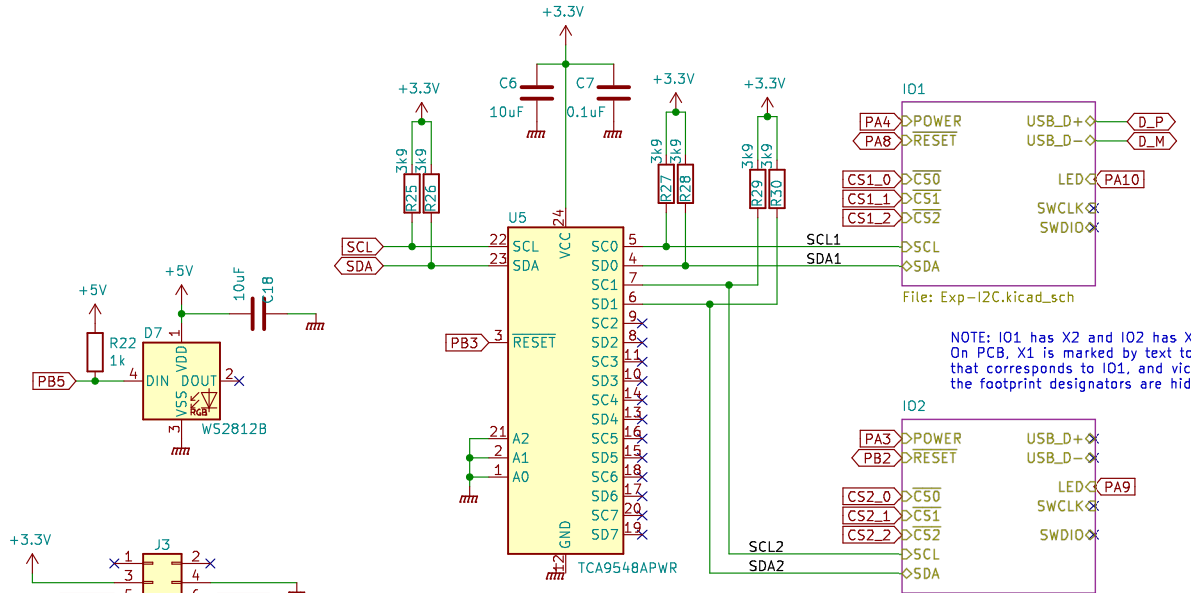
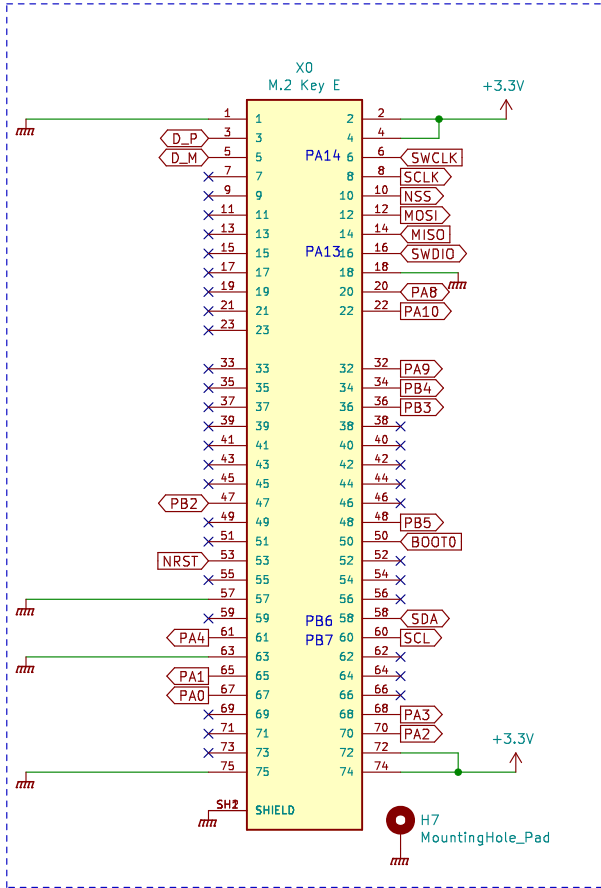
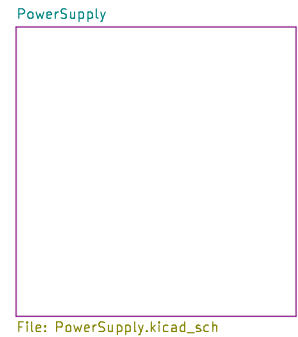
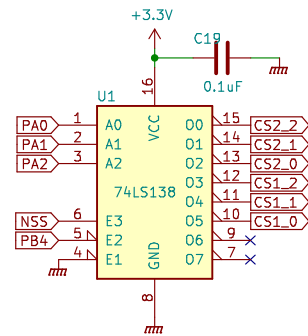
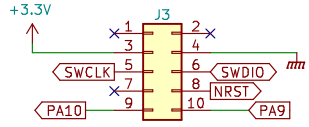


Dragino-Lora-ST Socket

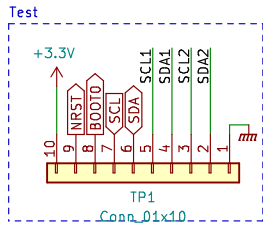


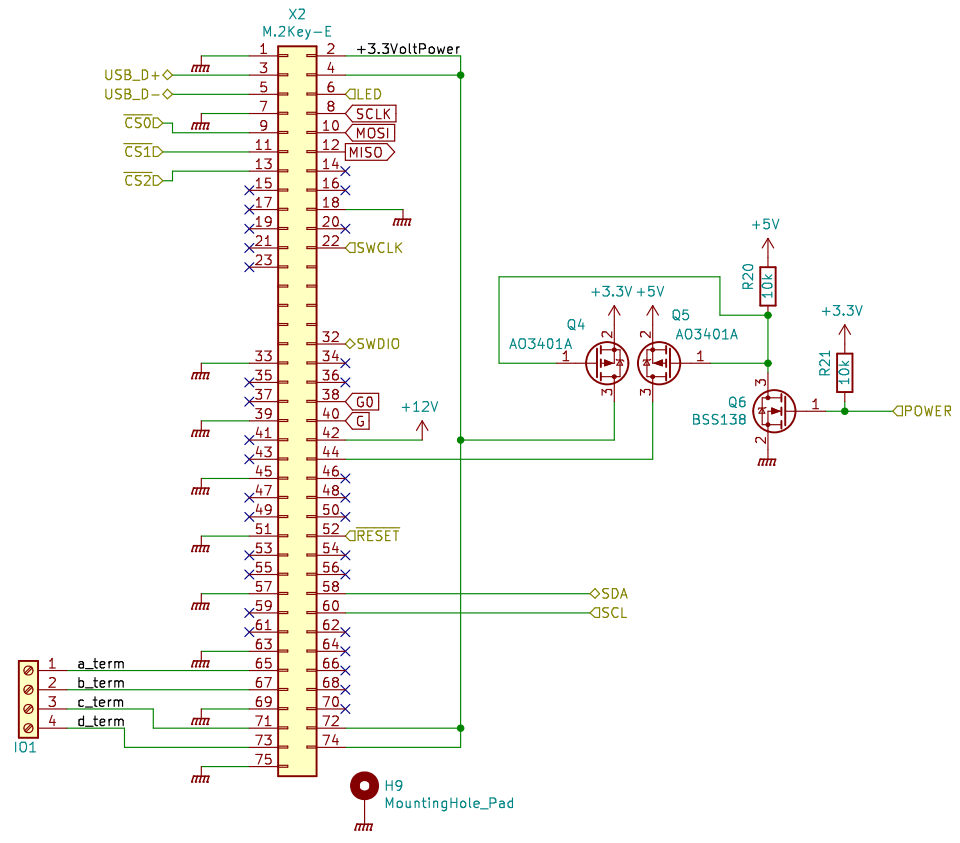
NOTE: IO1 has X2 and IO2 has X1. On PCB, X1 is marked by text to the socket that corresponds to IO1, and vice versa, and the footprint designators are hidden.

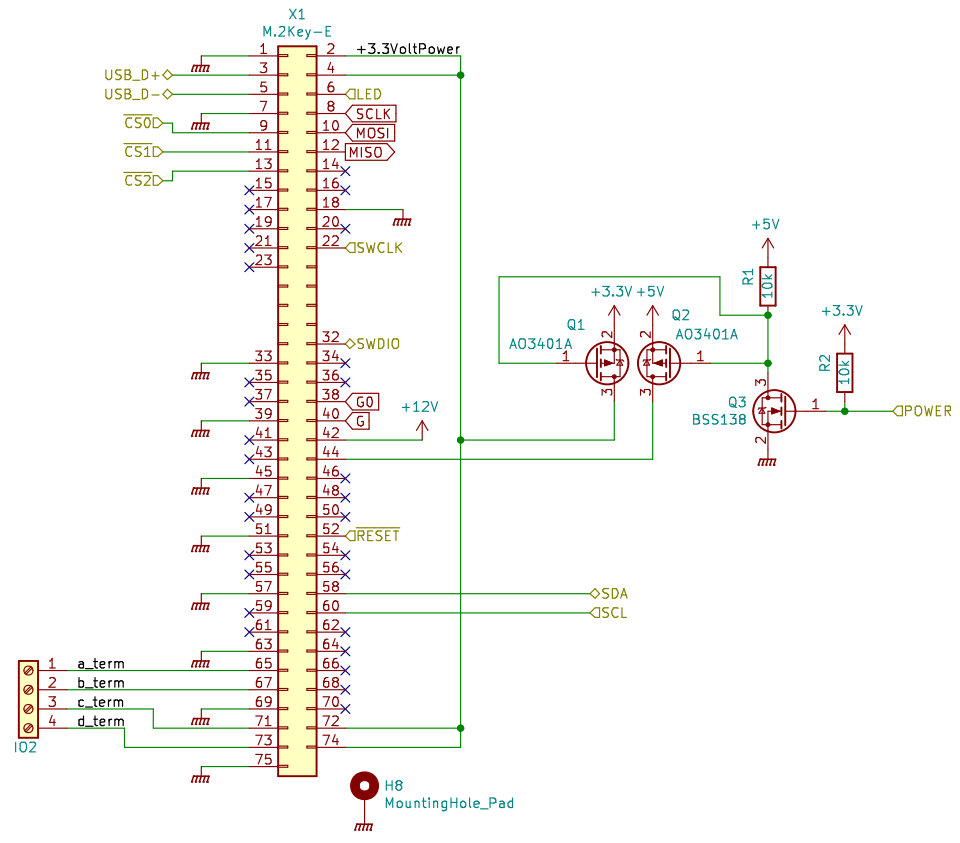


File: PowerSupply.kicad_sch

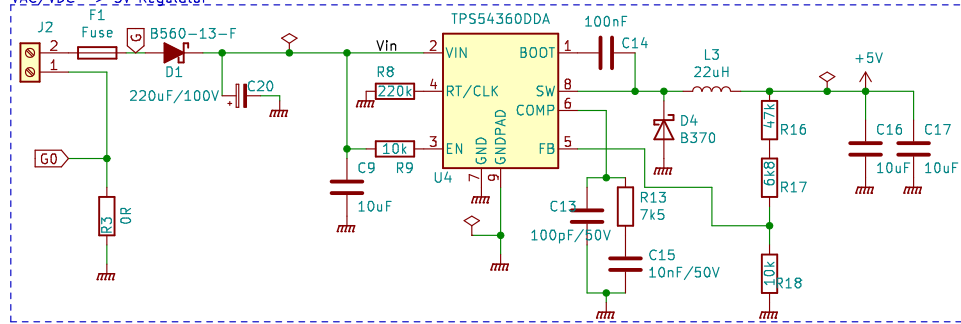
- H1 MountingHole
- H2 MountingHole
- H3 MountingHole
- H4 MountingHole
- H5 MountingHole
- H6 MountingHole



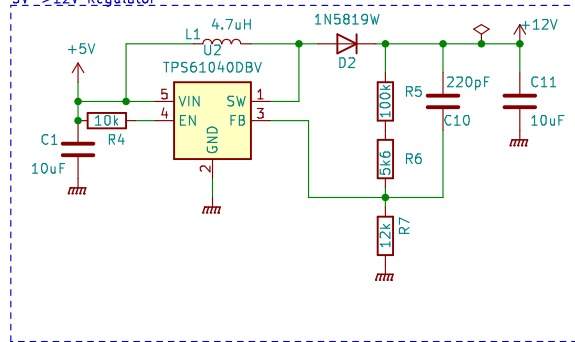




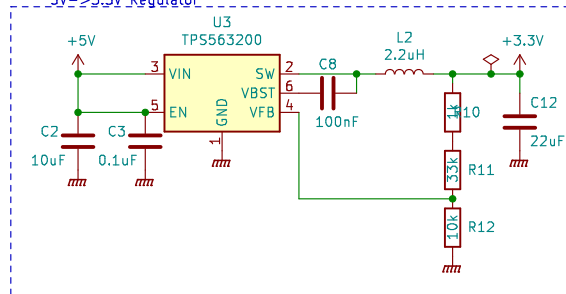
VAC/VDC -> 5V Regulator



5V->12V Regulator



5V->3.3V Regulator



Power Indicators

