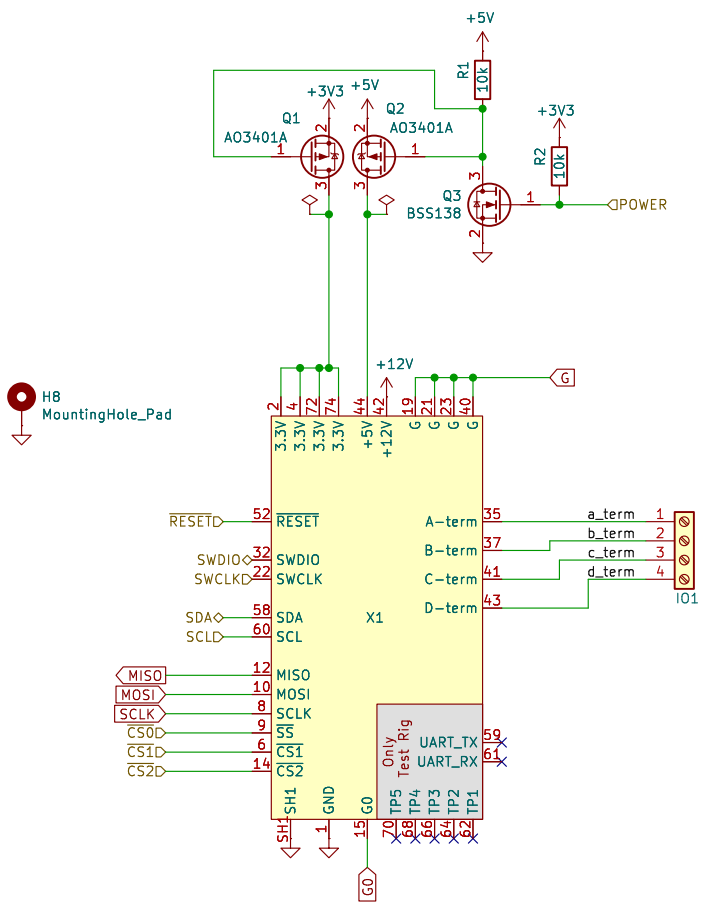


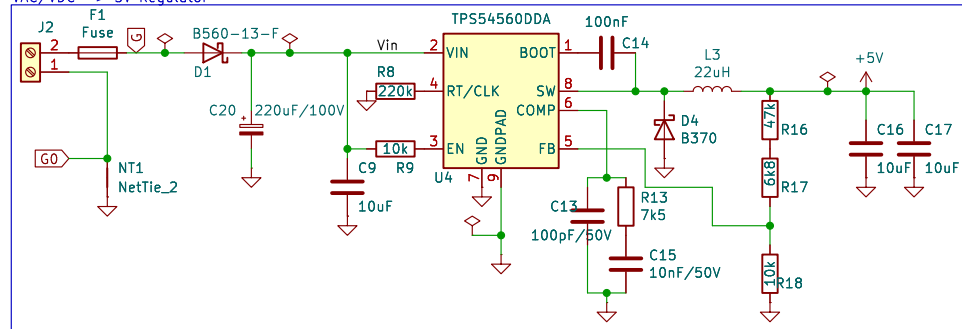
- H1 MountingHole
- H2 MountingHole
- H3 MountingHole
- H4 MountingHole
- H5 MountingHole
- H6 MountingHole

CurrentMakers	
Sheet: /	
File: colibri_3a.kicad_sch	
Title: Colibri 3a	
Size: A4	Date:
KiCad E.D.A. 9.0.7	Rev: D
	Id: 1/4

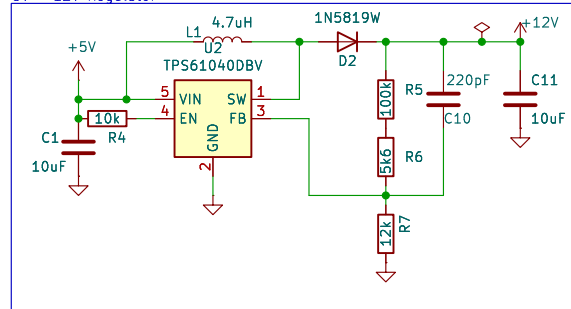


CurrentMakers	
Sheet: /I01/	
File: Exp-I2C.kicad_sch	
Title: Colibri 3a	
Size: A4	Date: 2023-01-14
KiCad E.D.A. 9.0.7	Rev: D Id: 2/4

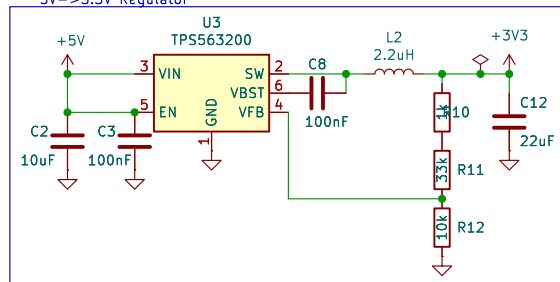
VAC/VDC -> 5V Regulator



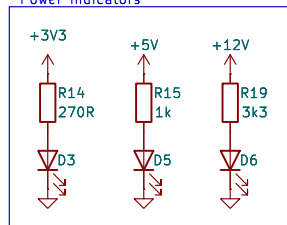
5V->12V Regulator



5V->3.3V Regulator



Power Indicators



CurrentMakers

Sheet: /PowerSupply/
File: PowerSupply.kicad_sch

Title: Colibri 3a

Size: A4 Date:
KiCad E.D.A. 9.0.7

Rev: D
Id: 4/4