

Bali Automation

Sheet:

File: colibri_3a.kicad_pcb

Title: Colibri-3

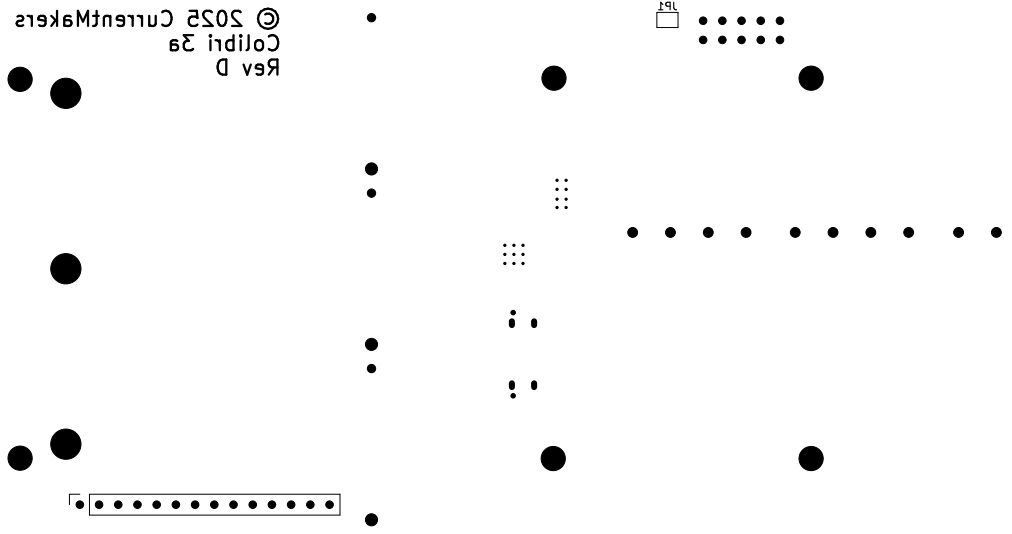
Size: A4

Date:

Rev: D

KiCad E.D.A. 9.0.7

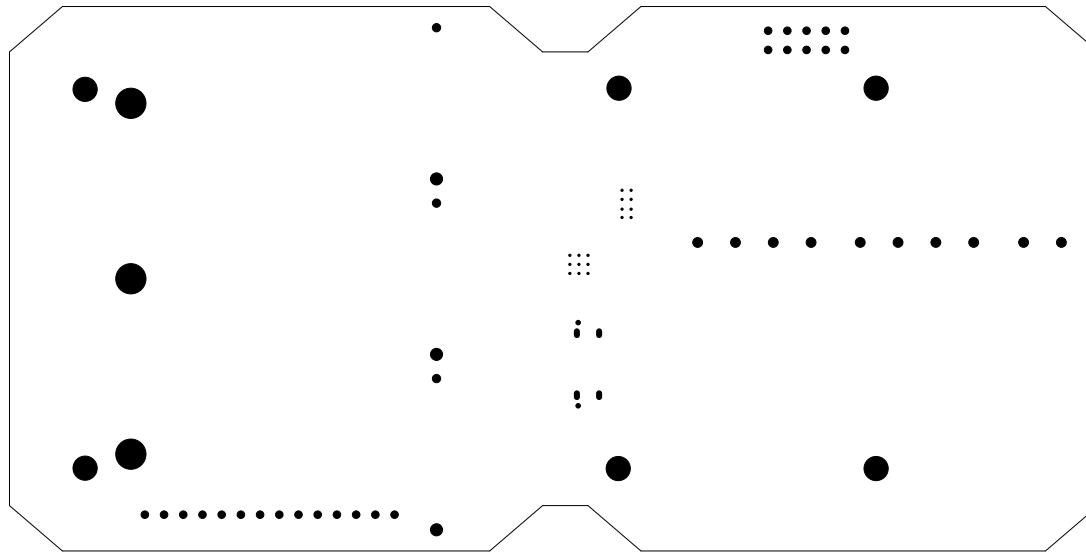
Id: 1/1



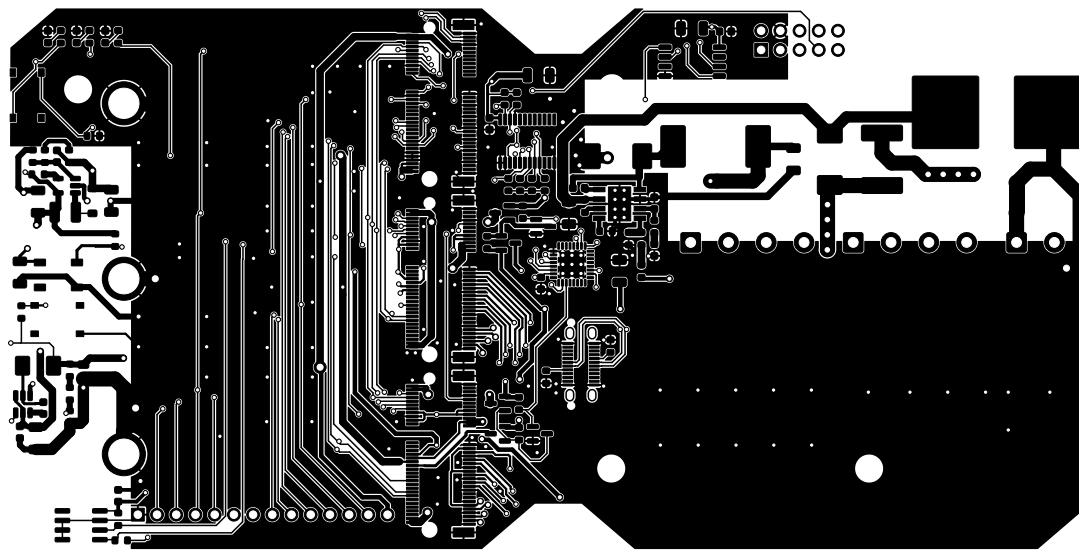
Rev D
Colibri 3a
© 2025 CurrentMakers

LPT

Bali Automation	
Sheet:	
File: colibri_3a.kicad_pcb	
Title: Colibri-3	
Size: A4	Date:
KiCad E.D.A. 9.0.7	Rev: D Id: 1/1



Bali Automation	
Sheet:	
File: colibri_3a.kicad_pcb	
Title: Colibri-3	
Size: A4	Date:
KiCad E.D.A. 9.0.7	Rev: D
	Id: 1/1



Bali Automation

Sheet:

File: colibri_3a.kicad_pcb

Title: Colibri-3

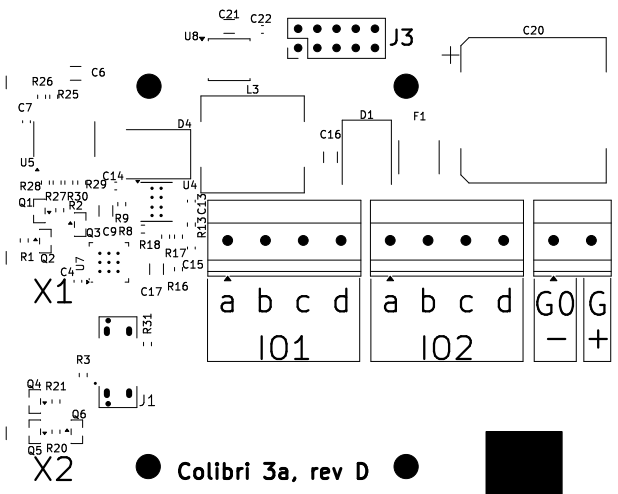
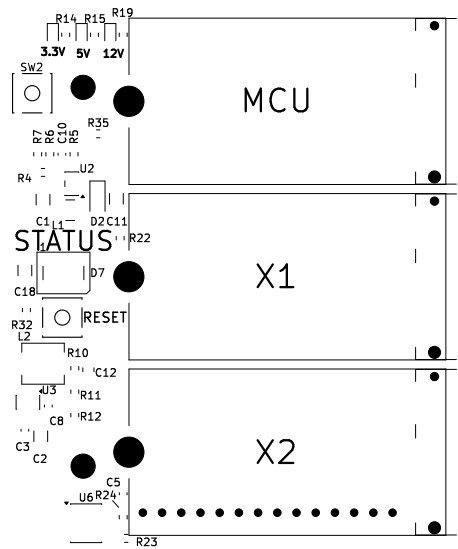
Size: A4

Date:

Rev: D

KiCad E.D.A. 9.0.7

Id: 1/1

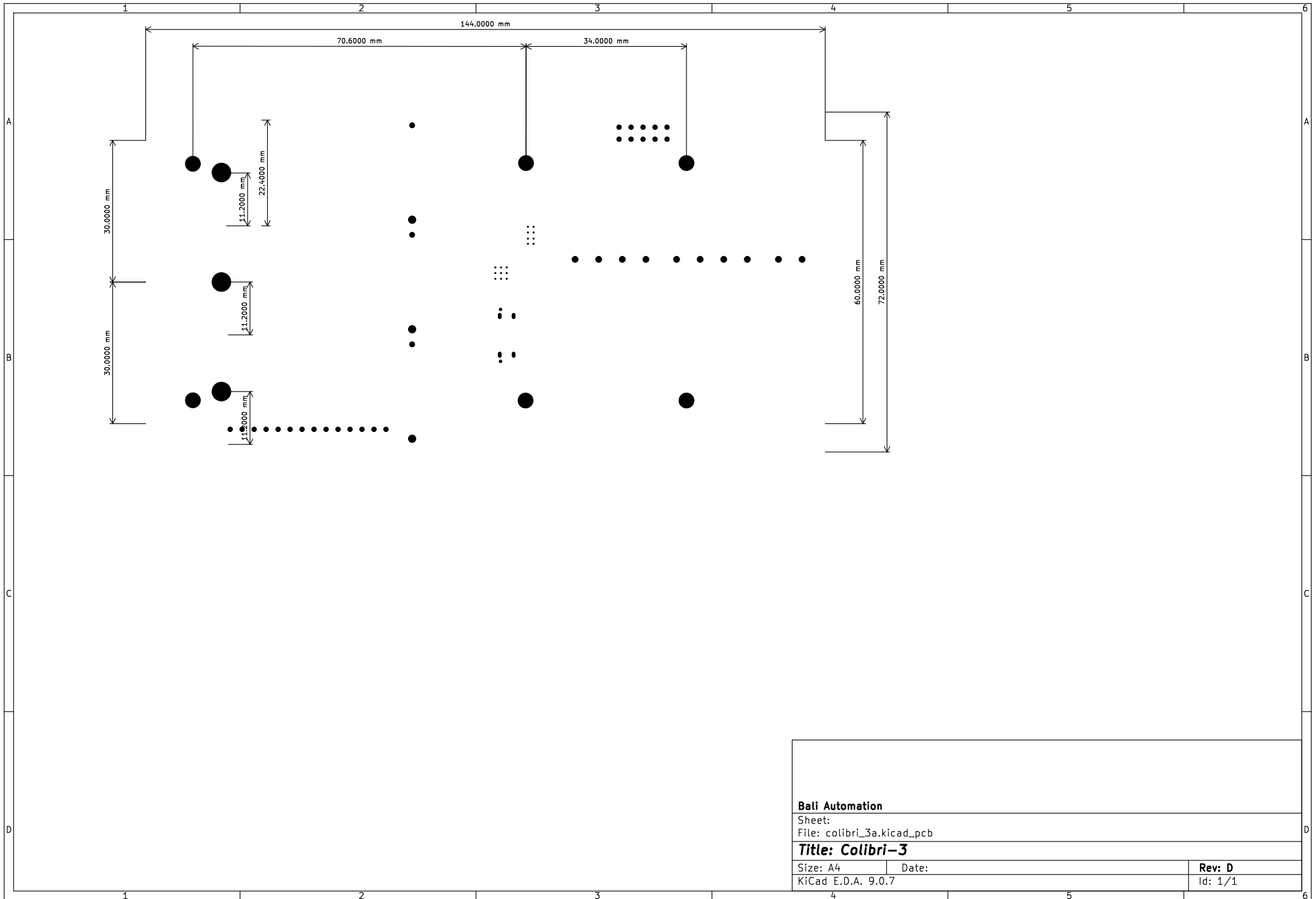


● Colibri 3a, rev D ●

© CurrentMakers



Bali Automation	
Sheet:	
File: colibri_3a.kicad_pcb	
Title: Colibri-3	
Size: A4	Date:
KiCad E.D.A. 9.0.7	Rev: D Id: 1/1



Bali Automation

Sheet:

File: colibri_3a.kicad_pcb

Title: Colibri-3

Size: A4

Date:

KiCad E.D.A. 9.0.7

Rev: D

Id: 1/1