

RP2350 Datasheet

A microcontroller
by Raspberry Pi

Colophon

© 2023-2025 Raspberry Pi Ltd

This documentation is licensed under a Creative Commons [Attribution-NoDerivatives 4.0 International](#) (CC BY-ND).

Portions Copyright © 2019 Synopsys, Inc.

All rights reserved. Used with permission. Synopsys & DesignWare are registered trademarks of Synopsys, Inc.

Portions Copyright © 2000-2001, 2005, 2007, 2009, 2011-2012, 2016 Arm Limited.

All rights reserved. Used with permission.

build-date: 2025-07-29

build-version: d126e9e-clean

Legal disclaimer notice

TECHNICAL AND RELIABILITY DATA FOR RASPBERRY PI PRODUCTS (INCLUDING DATASHEETS) AS MODIFIED FROM TIME TO TIME ("RESOURCES") ARE PROVIDED BY RASPBERRY PI LTD ("RPL") "AS IS" AND ANY EXPRESS OR IMPLIED WARRANTIES, INCLUDING, BUT NOT LIMITED TO, THE IMPLIED WARRANTIES OF MERCHANTABILITY AND FITNESS FOR A PARTICULAR PURPOSE ARE DISCLAIMED. TO THE MAXIMUM EXTENT PERMITTED BY APPLICABLE LAW IN NO EVENT SHALL RPL BE LIABLE FOR ANY DIRECT, INDIRECT, INCIDENTAL, SPECIAL, EXEMPLARY, OR CONSEQUENTIAL DAMAGES (INCLUDING, BUT NOT LIMITED TO, PROCUREMENT OF SUBSTITUTE GOODS OR SERVICES; LOSS OF USE, DATA, OR PROFITS; OR BUSINESS INTERRUPTION) HOWEVER CAUSED AND ON ANY THEORY OF LIABILITY, WHETHER IN CONTRACT, STRICT LIABILITY, OR TORT (INCLUDING NEGLIGENCE OR OTHERWISE) ARISING IN ANY WAY OUT OF THE USE OF THE RESOURCES, EVEN IF ADVISED OF THE POSSIBILITY OF SUCH DAMAGE.

RPL reserves the right to make any enhancements, improvements, corrections or any other modifications to the RESOURCES or any products described in them at any time and without further notice.

The RESOURCES are intended for skilled users with suitable levels of design knowledge. Users are solely responsible for their selection and use of the RESOURCES and any application of the products described in them. User agrees to indemnify and hold RPL harmless against all liabilities, costs, damages or other losses arising out of their use of the RESOURCES.

RPL grants users permission to use the RESOURCES solely in conjunction with the Raspberry Pi products. All other use of the RESOURCES is prohibited. No licence is granted to any other RPL or other third party intellectual property right.

HIGH RISK ACTIVITIES. Raspberry Pi products are not designed, manufactured or intended for use in hazardous environments requiring fail safe performance, such as in the operation of nuclear facilities, aircraft navigation or communication systems, air traffic control, weapons systems or safety-critical applications (including life support systems and other medical devices), in which the failure of the products could lead directly to death, personal injury or severe physical or environmental damage ("High Risk Activities"). RPL specifically disclaims any express or implied warranty of fitness for High Risk Activities and accepts no liability for use or inclusions of Raspberry Pi products in High Risk Activities.

Raspberry Pi products are provided subject to RPL's [Standard Terms](#). RPL's provision of the RESOURCES does not expand or otherwise modify RPL's [Standard Terms](#) including but not limited to the disclaimers and warranties expressed in them.

Table of contents

| | |
|--|----|
| Colophon | 1 |
| Legal disclaimer notice | 1 |
| 1. Introduction | 13 |
| 1.1. The chip | 14 |
| 1.2. Pinout reference | 15 |
| 1.2.1. Pin locations | 15 |
| 1.2.2. Pin descriptions | 16 |
| 1.2.3. GPIO functions (Bank 0) | 17 |
| 1.2.4. GPIO functions (Bank 1) | 21 |
| 1.3. Why is the chip called RP2350? | 22 |
| 1.4. Version History | 23 |
| 2. System bus | 24 |
| 2.1. Bus fabric | 24 |
| 2.1.1. Bus priority | 25 |
| 2.1.2. Bus security filtering | 25 |
| 2.1.3. Atomic register access | 26 |
| 2.1.4. APB bridge | 26 |
| 2.1.5. Narrow IO register writes | 27 |
| 2.1.6. Global Exclusive Monitor | 28 |
| 2.1.7. Bus performance counters | 30 |
| 2.2. Address map | 30 |
| 2.2.1. ROM | 30 |
| 2.2.2. XIP | 30 |
| 2.2.3. SRAM | 31 |
| 2.2.4. APB registers | 31 |
| 2.2.5. AHB registers | 33 |
| 2.2.6. Core-local peripherals (SIO) | 33 |
| 2.2.7. Cortex-M33 private peripherals | 34 |
| 3. Processor subsystem | 35 |
| 3.1. SIO | 36 |
| 3.1.1. Secure and Non-secure SIO | 37 |
| 3.1.2. CUID | 38 |
| 3.1.3. GPIO control | 39 |
| 3.1.4. Hardware spinlocks | 41 |
| 3.1.5. Inter-processor FIFOs (Mailboxes) | 42 |
| 3.1.6. Doorbells | 42 |
| 3.1.7. Integer divider | 43 |
| 3.1.8. RISC-V platform timer | 43 |
| 3.1.9. TMDS encoder | 44 |
| 3.1.10. Interpolator | 44 |
| 3.1.11. List of registers | 54 |
| 3.2. Interrupts | 82 |
| 3.2.1. Non-maskable interrupt (NMI) | 83 |
| 3.2.2. Further reading on interrupts | 83 |
| 3.3. Event signals (Arm) | 84 |
| 3.4. Event signals (RISC-V) | 84 |
| 3.5. Debug | 84 |
| 3.5.1. Connecting to the SW-DP | 85 |
| 3.5.2. Arm debug | 86 |
| 3.5.3. RISC-V debug | 86 |
| 3.5.4. Debug power domains | 87 |
| 3.5.5. Software control of SWD pins | 87 |
| 3.5.6. Self-hosted debug | 87 |
| 3.5.7. Trace | 88 |
| 3.5.8. Rescue reset | 90 |

| | |
|---|-----|
| 3.5.9. Security | 91 |
| 3.5.10. RP-AP | 93 |
| 3.6. Cortex-M33 coprocessors | 100 |
| 3.6.1. GPIO coprocessor (GPIOC) | 101 |
| 3.6.2. Double-precision coprocessor (DCP) | 104 |
| 3.6.3. Redundancy coprocessor (RCP) | 112 |
| 3.6.4. Floating point unit | 123 |
| 3.7. Cortex-M33 processor | 123 |
| 3.7.1. Features | 124 |
| 3.7.2. Configuration | 124 |
| 3.7.3. Compliance | 128 |
| 3.7.4. Programmer's model | 131 |
| 3.7.5. List of registers | 148 |
| 3.8. Hazard3 processor | 233 |
| 3.8.1. Instruction set reference | 233 |
| 3.8.2. Memory access | 278 |
| 3.8.3. Memory protection | 279 |
| 3.8.4. Interrupts and exceptions | 282 |
| 3.8.5. Debug | 285 |
| 3.8.6. Custom extensions | 286 |
| 3.8.7. Instruction cycle counts | 296 |
| 3.8.8. Configuration | 302 |
| 3.8.9. Control and status registers | 304 |
| 3.9. Arm/RISC-V architecture switching | 335 |
| 3.9.1. Automatic switching | 335 |
| 3.9.2. Mixed architecture combinations | 336 |
| 4. Memory | 337 |
| 4.1. ROM | 337 |
| 4.2. SRAM | 337 |
| 4.2.1. Other on-chip memory | 338 |
| 4.3. Boot RAM | 339 |
| 4.3.1. List of registers | 339 |
| 4.4. External flash and PSRAM (XIP) | 340 |
| 4.4.1. XIP cache | 341 |
| 4.4.2. QSPI Memory Interface (QMI) | 345 |
| 4.4.3. Streaming DMA interface | 345 |
| 4.4.4. Performance counters | 346 |
| 4.4.5. List of XIP_CTRL registers | 346 |
| 4.4.6. List of XIP_AUX registers | 350 |
| 4.5. OTP | 352 |
| 5. Bootrom | 353 |
| 5.1. Bootrom concepts | 354 |
| 5.1.1. Secure and Non-secure | 354 |
| 5.1.2. Partition tables | 354 |
| 5.1.3. Flash permissions | 355 |
| 5.1.4. Image definitions | 355 |
| 5.1.5. Blocks and block loops | 356 |
| 5.1.6. Block versioning | 357 |
| 5.1.7. A/B versions | 357 |
| 5.1.8. Hashing and signing | 357 |
| 5.1.9. Load maps | 358 |
| 5.1.10. Packaged binaries | 358 |
| 5.1.11. Anti-rollback protection | 359 |
| 5.1.12. Flash image boot | 359 |
| 5.1.13. Flash partition boot | 360 |
| 5.1.14. Partition-Table-in-Image boot | 360 |
| 5.1.15. Flash boot slots | 360 |
| 5.1.16. Flash update boot and version downgrade | 361 |
| 5.1.17. Try before you buy | 362 |
| 5.1.18. UF2 targeting | 362 |

| | |
|--|-----|
| 5.1.19. Address translation | 363 |
| 5.1.20. Automatic architecture switching | 364 |
| 5.2. Processor-controlled boot sequence | 365 |
| 5.2.1. Boot outcomes | 365 |
| 5.2.2. Sequence | 366 |
| 5.2.3. POWMAN boot vector | 371 |
| 5.2.4. Watchdog boot vector | 371 |
| 5.2.5. RAM image boot | 372 |
| 5.2.6. OTP boot | 373 |
| 5.2.7. Flash boot | 373 |
| 5.2.8. BOOTSEL (USB/UART) boot | 374 |
| 5.2.9. Boot configuration (OTP) | 375 |
| 5.3. Launching code on Processor Core 1 | 375 |
| 5.4. Bootrom APIs | 376 |
| 5.4.1. Locating the API functions | 376 |
| 5.4.2. API function availability | 378 |
| 5.4.3. API function return codes | 378 |
| 5.4.4. API functions and exclusive access | 379 |
| 5.4.5. SDK access to the API | 380 |
| 5.4.6. Categorised list of API functions and ROM data | 380 |
| 5.4.7. Alphabetical list of API functions and ROM data | 382 |
| 5.4.8. API function listings | 383 |
| 5.5. USB mass storage interface | 399 |
| 5.5.1. The RP2350 drive | 399 |
| 5.5.2. UF2 format details | 400 |
| 5.5.3. UF2 targeting rules | 401 |
| 5.6. USB PICOBOOT interface | 403 |
| 5.6.1. Identifying the device | 403 |
| 5.6.2. Identifying the interface | 404 |
| 5.6.3. Identifying the endpoints | 404 |
| 5.6.4. PICOBOOT Commands | 405 |
| 5.6.5. Control requests | 410 |
| 5.7. USB white-labelling | 412 |
| 5.7.1. USB device descriptor | 413 |
| 5.7.2. USB device strings | 413 |
| 5.7.3. USB configuration descriptor | 413 |
| 5.7.4. MSD drive | 413 |
| 5.7.5. UF2 INDEX.HTM file | 413 |
| 5.7.6. UF2 INFO_UF2.TXT file | 414 |
| 5.7.7. SCSI Inquiry | 414 |
| 5.7.8. Volume label simple example | 414 |
| 5.7.9. Volume label in-depth example | 415 |
| 5.8. UART boot | 416 |
| 5.8.1. Baud rate and clock requirements | 416 |
| 5.8.2. UART boot shell protocol | 416 |
| 5.8.3. UART boot programming flow | 417 |
| 5.8.4. Recovering from a stuck interface | 417 |
| 5.8.5. Requirements for UART boot binaries | 418 |
| 5.9. Metadata block details | 418 |
| 5.9.1. Blocks and block loops | 418 |
| 5.9.2. Common block items | 419 |
| 5.9.3. Image definition items | 421 |
| 5.9.4. Partition table items | 425 |
| 5.9.5. Minimum viable image metadata | 428 |
| 5.10. Example boot scenarios | 429 |
| 5.10.1. Secure boot | 429 |
| 5.10.2. Signed images | 430 |
| 5.10.3. Packaged binaries | 433 |
| 5.10.4. A/B booting | 433 |
| 5.10.5. A/B booting with owned partitions | 435 |

| | |
|--|-----|
| 5.10.6. Custom bootloader | 437 |
| 5.10.7. OTP bootloader | 439 |
| 5.10.8. Rollback versions and bootloaders | 440 |
| 6. Power | 441 |
| 6.1. Power supplies | 441 |
| 6.1.1. Digital IO supply (IOVDD) | 441 |
| 6.1.2. QSPI IO supply (QSPI_IOVDD) | 441 |
| 6.1.3. Digital core supply (DVDD) | 441 |
| 6.1.4. USB PHY and OTP supply (USB_OTP_VDD) | 442 |
| 6.1.5. ADC supply (ADC_AVDD) | 442 |
| 6.1.6. Core voltage regulator input supply (VREG_VIN) | 442 |
| 6.1.7. On-chip voltage regulator analogue supply (VREG_AVDD) | 442 |
| 6.1.8. Power supply sequencing | 443 |
| 6.2. Power management | 443 |
| 6.2.1. Core power domains | 443 |
| 6.2.2. Power states | 444 |
| 6.2.3. Power state transitions | 445 |
| 6.3. Core voltage regulator | 448 |
| 6.3.1. Operating modes | 448 |
| 6.3.2. Software control | 449 |
| 6.3.3. Power Manager control | 449 |
| 6.3.4. Status | 450 |
| 6.3.5. Current limit | 450 |
| 6.3.6. Over temperature protection | 450 |
| 6.3.7. Application circuit | 450 |
| 6.3.8. External components and PCB layout requirements | 452 |
| 6.3.9. List of registers | 457 |
| 6.4. Power management (POWMAN) registers | 457 |
| 6.5. Power reduction strategies | 488 |
| 6.5.1. Top-level clock gates | 489 |
| 6.5.2. SLEEP state | 489 |
| 6.5.3. DORMANT state | 489 |
| 6.5.4. Memory periphery power down | 490 |
| 6.5.5. Full memory power down | 490 |
| 6.5.6. Programmer's model | 491 |
| 7. Resets | 494 |
| 7.1. Overview | 494 |
| 7.2. Changes from RP2040 | 494 |
| 7.3. Chip-level resets | 495 |
| 7.3.1. Chip-level reset table | 495 |
| 7.3.2. Chip-level reset destinations | 496 |
| 7.3.3. Chip-level reset sources | 496 |
| 7.4. System resets (Power-on State Machine) | 497 |
| 7.4.1. Reset sequence | 498 |
| 7.4.2. Register control | 499 |
| 7.4.3. Interaction with watchdog | 499 |
| 7.4.4. List of registers | 499 |
| 7.5. Subsystem resets | 503 |
| 7.5.1. Overview | 503 |
| 7.5.2. Programmer's model | 503 |
| 7.5.3. List of Registers | 505 |
| 7.6. Power-on resets and brownout detection | 508 |
| 7.6.1. Power-on reset (POR) | 509 |
| 7.6.2. Brownout detection (BOD) | 509 |
| 7.6.3. Supply monitor | 512 |
| 7.6.4. List of registers | 512 |
| 8. Clocks | 513 |
| 8.1. Overview | 513 |
| 8.1.1. Changes between RP2350 revisions | 514 |
| 8.1.2. Clock sources | 514 |

| | |
|---|-----|
| 8.1.3. Clock generators | 518 |
| 8.1.4. Frequency counter | 522 |
| 8.1.5. Resus | 522 |
| 8.1.6. Programmer's model | 523 |
| 8.1.7. List of registers | 529 |
| 8.2. Crystal oscillator (XOSC) | 554 |
| 8.2.1. Overview | 554 |
| 8.2.2. Changes from RP2040 | 556 |
| 8.2.3. Usage | 556 |
| 8.2.4. Startup delay | 556 |
| 8.2.5. XOSC counter | 557 |
| 8.2.6. DORMANT mode | 557 |
| 8.2.7. Programmer's model | 558 |
| 8.2.8. List of registers | 559 |
| 8.3. Ring oscillator (ROSC) | 561 |
| 8.3.1. Overview | 561 |
| 8.3.2. Changes from RP2040 | 562 |
| 8.3.3. Changes between RP2350 revisions | 562 |
| 8.3.4. ROSC/XOSC trade-offs | 562 |
| 8.3.5. Modifying the frequency | 563 |
| 8.3.6. Randomising the frequency | 563 |
| 8.3.7. ROSC divider | 563 |
| 8.3.8. Random number generator | 564 |
| 8.3.9. ROSC counter | 564 |
| 8.3.10. DORMANT mode | 564 |
| 8.3.11. List of registers | 565 |
| 8.4. Low Power oscillator (LPOSC) | 569 |
| 8.4.1. Frequency accuracy and calibration | 569 |
| 8.4.2. Using an external low-power clock | 570 |
| 8.4.3. List of registers | 570 |
| 8.5. Tick generators | 570 |
| 8.5.1. Overview | 570 |
| 8.5.2. List of registers | 571 |
| 8.6. PLL | 575 |
| 8.6.1. Overview | 575 |
| 8.6.2. Changes from RP2040 | 575 |
| 8.6.3. Calculating PLL parameters | 576 |
| 8.6.4. Configuration | 580 |
| 8.6.5. List of Registers | 583 |
| 9. GPIO | 587 |
| 9.1. Overview | 587 |
| 9.2. Changes from RP2040 | 588 |
| 9.3. Reset state | 588 |
| 9.4. Function select | 589 |
| 9.5. Interrupts | 594 |
| 9.6. Pads | 595 |
| 9.6.1. Bus keeper mode | 596 |
| 9.7. Pad isolation latches | 596 |
| 9.8. Processor GPIO controls (SIO) | 597 |
| 9.9. GPIO coprocessor port | 597 |
| 9.10. Software examples | 598 |
| 9.10.1. Select an IO function | 598 |
| 9.10.2. Enable a GPIO interrupt | 603 |
| 9.11. List of registers | 604 |
| 9.11.1. IO - User Bank | 604 |
| 9.11.2. IO - QSPI Bank | 760 |
| 9.11.3. Pad Control - User Bank | 785 |
| 9.11.4. Pad Control - QSPI Bank | 812 |
| 10. Security | 816 |
| 10.1. Overview (Arm) | 816 |

| | |
|--|-----|
| 10.1.1. Secure boot | 816 |
| 10.1.2. Encrypted boot | 817 |
| 10.1.3. Isolating trusted and untrusted software | 818 |
| 10.2. Processor security features (Arm) | 819 |
| 10.2.1. Background | 819 |
| 10.2.2. IDAU address map | 820 |
| 10.3. Overview (RISC-V) | 821 |
| 10.4. Processor security features (RISC-V) | 821 |
| 10.5. Secure boot enable procedure | 822 |
| 10.6. Access control | 822 |
| 10.6.1. GPIO access control | 823 |
| 10.6.2. Bus access control | 824 |
| 10.6.3. List of registers | 826 |
| 10.7. DMA | 867 |
| 10.7.1. Channel security attributes | 868 |
| 10.7.2. Memory protection unit | 868 |
| 10.7.3. DREQ attributes | 868 |
| 10.7.4. IRQ attributes | 868 |
| 10.8. OTP | 869 |
| 10.9. Glitch detector | 869 |
| 10.9.1. Theory of operation | 870 |
| 10.9.2. Trigger response | 870 |
| 10.9.3. List of registers | 871 |
| 10.10. Factory test JTAG | 874 |
| 10.11. Decommissioning | 874 |
| 11. PIO | 876 |
| 11.1. Overview | 876 |
| 11.1.1. Changes from RP2040 | 877 |
| 11.2. Programmer's model | 878 |
| 11.2.1. PIO programs | 879 |
| 11.2.2. Control flow | 879 |
| 11.2.3. Registers | 881 |
| 11.2.4. Autopull | 881 |
| 11.2.5. Stalling | 884 |
| 11.2.6. Pin mapping | 884 |
| 11.2.7. IRQ flags | 884 |
| 11.2.8. Interactions between state machines | 885 |
| 11.3. PIO assembler (pioasm) | 885 |
| 11.3.1. Directives | 885 |
| 11.3.2. Values | 887 |
| 11.3.3. Expressions | 887 |
| 11.3.4. Comments | 888 |
| 11.3.5. Labels | 888 |
| 11.3.6. Instructions | 888 |
| 11.3.7. Pseudo-instructions | 889 |
| 11.4. Instruction Set | 889 |
| 11.4.1. Summary | 889 |
| 11.4.2. JMP | 890 |
| 11.4.3. WAIT | 891 |
| 11.4.4. IN | 892 |
| 11.4.5. OUT | 893 |
| 11.4.6. PUSH | 894 |
| 11.4.7. PULL | 895 |
| 11.4.8. MOV (to RX) | 896 |
| 11.4.9. MOV (from RX) | 897 |
| 11.4.10. MOV | 898 |
| 11.4.11. IRQ | 900 |
| 11.4.12. SET | 901 |
| 11.5. Functional details | 902 |
| 11.5.1. Side-set | 902 |

| | |
|---|------|
| 11.5.2. Program wrapping | 903 |
| 11.5.3. FIFO joining | 905 |
| 11.5.4. Autopush and Autopull | 906 |
| 11.5.5. Clock Dividers | 911 |
| 11.5.6. GPIO mapping | 911 |
| 11.5.7. Forced and EXEC'd instructions | 913 |
| 11.6. Examples | 915 |
| 11.6.1. Duplex SPI | 915 |
| 11.6.2. WS2812 LEDs | 919 |
| 11.6.3. UART TX | 921 |
| 11.6.4. UART RX | 923 |
| 11.6.5. Manchester serial TX and RX | 926 |
| 11.6.6. Differential Manchester (BMC) TX and RX | 929 |
| 11.6.7. I2C | 932 |
| 11.6.8. PWM | 936 |
| 11.6.9. Addition | 938 |
| 11.6.10. Further examples | 939 |
| 11.7. List of registers | 939 |
| 12. Peripherals | 961 |
| 12.1. UART | 961 |
| 12.1.1. Overview | 961 |
| 12.1.2. Functional description | 962 |
| 12.1.3. Operation | 964 |
| 12.1.4. UART hardware flow control | 966 |
| 12.1.5. UART DMA interface | 967 |
| 12.1.6. Interrupts | 969 |
| 12.1.7. Programmer's model | 970 |
| 12.1.8. List of registers | 972 |
| 12.2. I2C | 983 |
| 12.2.1. Features | 984 |
| 12.2.2. IP configuration | 984 |
| 12.2.3. I2C overview | 985 |
| 12.2.4. I2C terminology | 987 |
| 12.2.5. I2C behaviour | 988 |
| 12.2.6. I2C protocols | 989 |
| 12.2.7. TX FIFO Management and START, STOP and RESTART Generation | 993 |
| 12.2.8. Multiple master arbitration | 995 |
| 12.2.9. Clock synchronisation | 995 |
| 12.2.10. Operation modes | 996 |
| 12.2.11. Spike suppression | 1001 |
| 12.2.12. Fast mode plus operation | 1002 |
| 12.2.13. Bus clear feature | 1002 |
| 12.2.14. IC_CLK frequency configuration | 1003 |
| 12.2.15. DMA controller interface | 1007 |
| 12.2.16. Operation of interrupt registers | 1008 |
| 12.2.17. List of registers | 1008 |
| 12.3. SPI | 1046 |
| 12.3.1. Changes from RP2040 | 1047 |
| 12.3.2. Overview | 1047 |
| 12.3.3. Functional description | 1047 |
| 12.3.4. Operation | 1050 |
| 12.3.5. List of registers | 1060 |
| 12.4. ADC and Temperature Sensor | 1066 |
| 12.4.1. Changes from RP2040 | 1068 |
| 12.4.2. ADC controller | 1069 |
| 12.4.3. SAR ADC | 1069 |
| 12.4.4. ADC ENOB | 1073 |
| 12.4.5. INL and DNL | 1073 |
| 12.4.6. Temperature sensor | 1073 |
| 12.4.7. List of registers | 1073 |

| | |
|---|------|
| 12.5. PWM | 1076 |
| 12.5.1. Overview | 1077 |
| 12.5.2. Programmer's model | 1077 |
| 12.5.3. List of registers | 1086 |
| 12.6. DMA | 1094 |
| 12.6.1. Changes from RP2040 | 1095 |
| 12.6.2. Configuring channels | 1096 |
| 12.6.3. Triggering channels | 1098 |
| 12.6.4. Data request (DREQ) | 1100 |
| 12.6.5. Interrupts | 1102 |
| 12.6.6. Security | 1102 |
| 12.6.7. Bus error handling | 1105 |
| 12.6.8. Additional features | 1107 |
| 12.6.9. Example use cases | 1108 |
| 12.6.10. List of Registers | 1112 |
| 12.7. USB | 1141 |
| 12.7.1. Overview | 1141 |
| 12.7.2. Changes from RP2040 | 1142 |
| 12.7.3. Architecture | 1144 |
| 12.7.4. Programmer's model | 1155 |
| 12.7.5. List of registers | 1159 |
| 12.8. System timers | 1182 |
| 12.8.1. Overview | 1182 |
| 12.8.2. Counter | 1183 |
| 12.8.3. Alarms | 1183 |
| 12.8.4. Programmer's model | 1184 |
| 12.8.5. List of registers | 1188 |
| 12.9. Watchdog | 1193 |
| 12.9.1. Overview | 1193 |
| 12.9.2. Changes from RP2040 | 1193 |
| 12.9.3. Watchdog counter | 1193 |
| 12.9.4. Control watchdog reset levels | 1194 |
| 12.9.5. Scratch registers | 1194 |
| 12.9.6. Programmer's model | 1194 |
| 12.9.7. List of registers | 1196 |
| 12.10. Always-on timer | 1197 |
| 12.10.1. Overview | 1197 |
| 12.10.2. Changes from RP2040 | 1198 |
| 12.10.3. Accessing the AON Timer | 1198 |
| 12.10.4. Using the alarm | 1198 |
| 12.10.5. Selecting the AON Timer tick source | 1199 |
| 12.10.6. Synchronising the AON timer to an external 1Hz clock | 1201 |
| 12.10.7. Using an external clock or tick from GPIO | 1201 |
| 12.10.8. Using a tick faster than 1ms | 1201 |
| 12.10.9. List of registers | 1202 |
| 12.11. HSTX | 1202 |
| 12.11.1. Data FIFO | 1203 |
| 12.11.2. Output shift register | 1203 |
| 12.11.3. Bit crossbar | 1204 |
| 12.11.4. Clock generator | 1205 |
| 12.11.5. Command expander | 1206 |
| 12.11.6. PIO-to-HSTX coupled mode | 1208 |
| 12.11.7. List of control registers | 1208 |
| 12.11.8. List of FIFO registers | 1212 |
| 12.12. TRNG | 1212 |
| 12.12.1. Overview | 1212 |
| 12.12.2. Configuration | 1213 |
| 12.12.3. Operation | 1213 |
| 12.12.4. Caveats | 1214 |
| 12.12.5. List of registers | 1215 |

| | |
|---|------|
| 12.13. SHA-256 accelerator | 1221 |
| 12.13.1. Message padding | 1222 |
| 12.13.2. Throughput | 1222 |
| 12.13.3. Data size and endianness | 1222 |
| 12.13.4. DMA DREQ interface | 1222 |
| 12.13.5. List of registers | 1223 |
| 12.14. QSPI memory interface (QMI) | 1226 |
| 12.14.1. Overview | 1226 |
| 12.14.2. QSPI transfers | 1228 |
| 12.14.3. Timing | 1231 |
| 12.14.4. Address translation | 1234 |
| 12.14.5. Direct mode | 1235 |
| 12.14.6. List of registers | 1236 |
| 12.15. System Control Registers | 1249 |
| 12.15.1. SYSINFO | 1249 |
| 12.15.2. SYSCFG | 1251 |
| 12.15.3. TBMAN | 1254 |
| 12.15.4. BUSCTRL | 1255 |
| 13. OTP | 1268 |
| 13.1. OTP address map | 1268 |
| 13.1.1. Guarded reads | 1269 |
| 13.2. Background: OTP IP details | 1269 |
| 13.3. Background: OTP hardware architecture | 1270 |
| 13.3.1. Lock shim | 1270 |
| 13.3.2. External interfaces | 1271 |
| 13.3.3. OTP boot oscillator | 1272 |
| 13.3.4. Power-up state machine | 1272 |
| 13.4. Critical flags | 1273 |
| 13.5. Page locks | 1274 |
| 13.5.1. Lock progression | 1274 |
| 13.5.2. OTP access keys | 1275 |
| 13.5.3. Lock encoding in OTP | 1276 |
| 13.5.4. Special pages | 1276 |
| 13.5.5. Permissions of blank devices | 1276 |
| 13.6. Error Correction Code (ECC) | 1277 |
| 13.6.1. Bit repair by polarity (BRP) | 1277 |
| 13.6.2. Modified Hamming ECC | 1278 |
| 13.7. Device decommissioning (RMA) | 1279 |
| 13.8. Imaging Vulnerability | 1279 |
| 13.8.1. Best Practices | 1279 |
| 13.8.2. Chaff | 1280 |
| 13.9. List of registers | 1280 |
| 13.10. Predefined OTP data locations | 1292 |
| 14. Electrical and mechanical | 1327 |
| 14.1. QFN-60 package | 1327 |
| 14.1.1. Thermal characteristics | 1328 |
| 14.1.2. Recommended PCB footprint | 1328 |
| 14.2. QFN-80 package | 1328 |
| 14.2.1. Thermal characteristics | 1329 |
| 14.2.2. Recommended PCB footprint | 1329 |
| 14.3. Flash in package | 1330 |
| 14.4. Package markings | 1331 |
| 14.5. Storage conditions | 1331 |
| 14.6. Solder profile | 1331 |
| 14.7. Compliance | 1333 |
| 14.8. Pinout | 1333 |
| 14.8.1. Pin locations | 1333 |
| 14.8.2. Pin definitions | 1335 |
| 14.9. Electrical specifications | 1338 |
| 14.9.1. Absolute maximum ratings | 1338 |

| | |
|---|------|
| 14.9.2. ESD performance | 1339 |
| 14.9.3. Thermal performance | 1339 |
| 14.9.4. IO electrical characteristics | 1339 |
| 14.9.5. Power supplies | 1343 |
| 14.9.6. Core voltage regulator | 1344 |
| 14.9.7. Power consumption | 1345 |
| Appendix A: Register field types | 1349 |
| Changes from RP2040 | 1349 |
| Standard types | 1349 |
| RW: | 1349 |
| RO: | 1349 |
| WO: | 1349 |
| Clear types | 1349 |
| SC: | 1349 |
| WC: | 1349 |
| FIFO types | 1350 |
| RWF: | 1350 |
| RF: | 1350 |
| WF: | 1350 |
| Appendix B: Units used in this document | 1351 |
| Memory and storage capacity | 1351 |
| Transfer Rate | 1351 |
| Physical Quantities | 1351 |
| Scale Prefixes | 1353 |
| Digit Separators | 1353 |
| Appendix C: Hardware revision history | 1354 |
| RP2350 A2 | 1354 |
| RP2350 A3 | 1354 |
| Hardware changes | 1354 |
| Bootrom changes | 1355 |
| RP2350 A4 | 1355 |
| Hardware Changes | 1355 |
| Bootrom Changes | 1356 |
| Appendix E: Errata | 1357 |
| ACCESSCTRL | 1357 |
| RP2350-E3 | 1357 |
| Bootrom | 1357 |
| RP2350-E10 | 1357 |
| RP2350-E13 | 1358 |
| RP2350-E14 | 1358 |
| RP2350-E15 | 1359 |
| RP2350-E18 | 1359 |
| RP2350-E19 | 1360 |
| RP2350-E20 | 1360 |
| RP2350-E21 | 1361 |
| RP2350-E22 | 1362 |
| RP2350-E23 | 1362 |
| RP2350-E24 | 1362 |
| RP2350-E25 | 1363 |
| Bus Fabric | 1363 |
| RP2350-E27 | 1363 |
| DMA | 1364 |
| RP2350-E5 | 1364 |
| RP2350-E8 | 1365 |
| GPIO | 1365 |
| RP2350-E9 | 1366 |
| Hazard3 | 1368 |
| RP2350-E4 | 1368 |
| RP2350-E6 | 1369 |
| RP2350-E7 | 1369 |

| | |
|---|------|
| OTP | 1370 |
| RP2350-E16 | 1370 |
| RP2350-E17 | 1371 |
| RP2350-E28 | 1371 |
| RCP | 1372 |
| RP2350-E26 | 1372 |
| SIO | 1373 |
| RP2350-E1 | 1373 |
| RP2350-E2 | 1373 |
| XIP | 1374 |
| RP2350-E11 | 1374 |
| USB | 1375 |
| RP2350-E12 | 1375 |
| Appendix H: Documentation release history | 1377 |
| 29 July 2025 | 1377 |
| 20 February 2025 | 1377 |
| 04 December 2024 | 1377 |
| 16 October 2024 | 1377 |
| 15 October 2024 | 1377 |
| 6 September 2024 | 1377 |
| 8 August 2024 | 1378 |

Chapter 1. Introduction

RP2350 is a new family of microcontrollers from Raspberry Pi that offers major enhancements over RP2040. Key features include:

- Dual Cortex-M33 or Hazard3 processors at 150 MHz
- 520 kB on-chip SRAM, in 10 independent banks
- 8 kB of one-time-programmable storage (OTP)
- Up to 16 MB of external QSPI flash or PSRAM through dedicated QSPI bus
- Additional 16 MB flash or PSRAM through optional second chip-select
- On-chip switched-mode power supply to generate core voltage
- Optional low-quiescent-current LDO mode for sleep states
- 2 × on-chip PLLs for internal or external clock generation
- GPIOs are 5 V-tolerant (powered) and 3.3 V-failsafe (unpowered)
- Security features:
 - Optional boot signing, enforced by on-chip mask ROM, with key fingerprint in OTP
 - Protected OTP storage for optional boot decryption key
 - Global bus filtering based on Arm or RISC-V security/privilege levels
 - Peripherals, GPIOs, and DMA channels individually assignable to security domains
 - Hardware mitigations for fault injection attacks
 - Hardware SHA-256 accelerator
- Peripherals:
 - 2 × UARTs
 - 2 × SPI controllers
 - 2 × I2C controllers
 - 24 × PWM channels
 - USB 1.1 controller and PHY, with host and device support
 - 12 × PIO state machines
 - 1 × HSTX peripheral

Table 1 shows the RP2350 family of devices, including options for QFN-80 (10 × 10 mm) and QFN-60 (7 × 7 mm) packages, with and without flash-in-package.

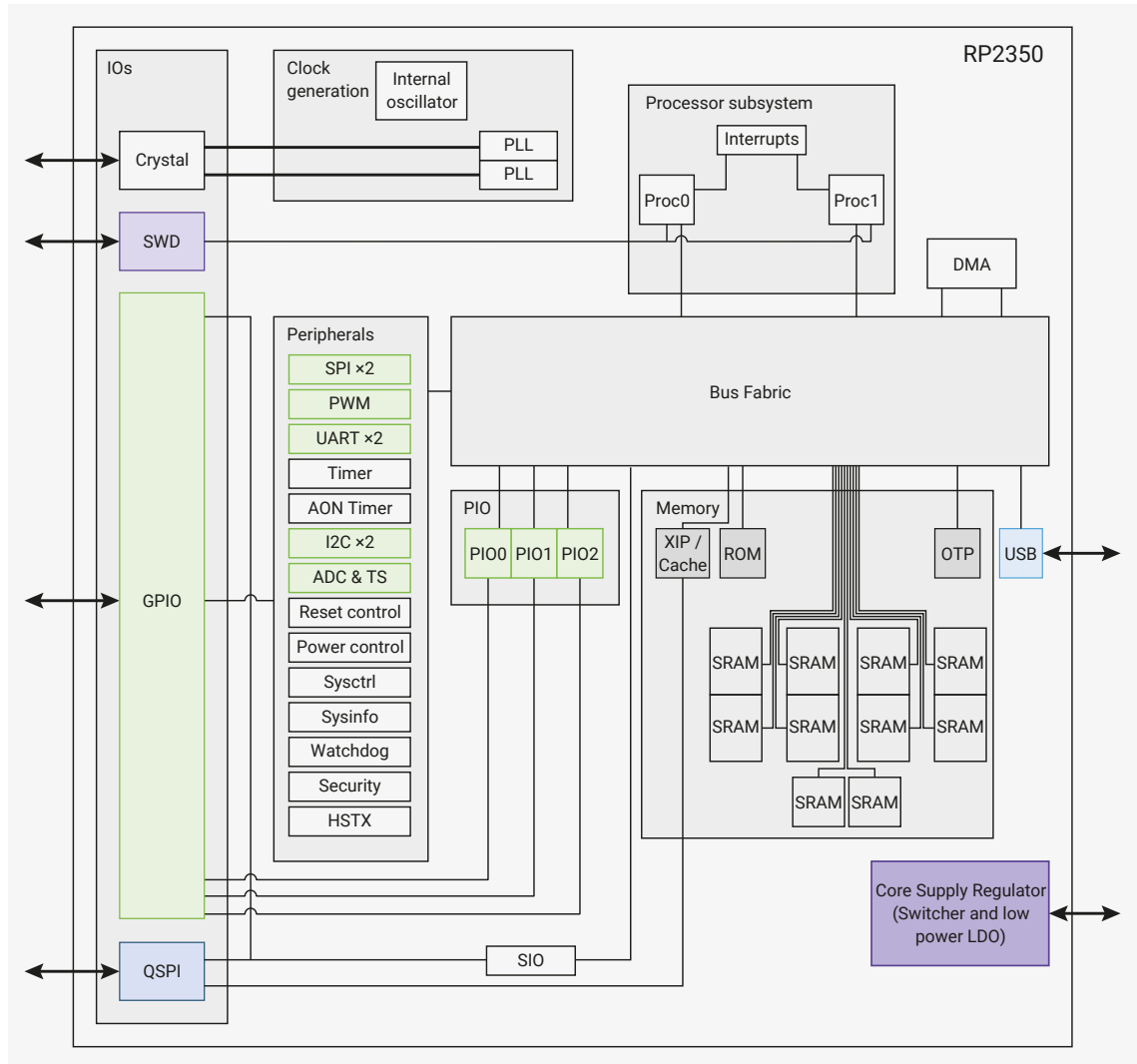
Table 1. RP2350 device family

| Product | Package | Internal Flash | GPIO | Analogue Inputs |
|---------|---------|----------------|------|-----------------|
| RP2350A | QFN-60 | None | 30 | 4 |
| RP2350B | QFN-80 | None | 48 | 8 |
| RP2354A | QFN-60 | 2 MB | 30 | 4 |
| RP2354B | QFN-80 | 2 MB | 48 | 8 |

1.1. The chip

Dual Cortex-M33 or Hazard3 processors access RP2350's memory and peripherals via AHB and APB bus fabric.

Figure 1. A system overview of the RP2350 chip



Code may execute directly from external memory through a dedicated QSPI memory interface in the execute-in-place subsystem (XIP). The cache improves XIP performance significantly. Both flash and RAM can attach via this interface.

Debug is available via the SWD interface. This allows an external host to load, run, halt and inspect software running on the system, or configure the execution trace output.

Internal SRAM can contain code or data. It is addressed as a single 520 kB region, but physically partitioned into 10 banks to allow simultaneous parallel access from different managers. All SRAM supports single-cycle access.

A high-bandwidth system DMA offloads repetitive data transfer tasks from the processors.

GPIO pins can be driven directly via single-cycle IO (SIO), or from a variety of dedicated logic functions such as the hardware SPI, I2C, UART and PWM. Programmable IO controllers (PIO) can provide a wider variety of IO functions, or supplement the number of fixed-function peripherals.

A USB controller with embedded PHY provides FS/LS Host or Device connectivity under software control.

Four or eight ADC inputs (depending on package size) are shared with GPIO pins.

Two PLLs provide a fixed 48 MHz clock for USB or ADC, and a flexible system clock up to 150 MHz. A crystal oscillator provides a precise reference for the PLLs.

An internal voltage regulator supplies the core voltage, so you need generally only supply the IO voltage. It operates as a

switched mode buck converter when the system is awake, providing up to 200 mA at a variable output voltage, and can switch to a low-quiescent-current LDO mode when the system is asleep, providing up to 1 mA for state retention.

The system features low-power states where unused logic is powered off, supporting wakeup from timer or IO events. The amount of SRAM retained during power-down is configurable.

The internal 8 kB one-time-programmable storage (OTP) contains chip information such as unique identifiers, can be used to configure hardware and bootrom security features, and can be programmed with user-supplied code and data.

The built-in bootrom implements direct boot from flash or OTP, and serial boot from USB or UART. Code signature enforcement is supported for all boot media, using a key fingerprint registered in internal OTP storage. OTP can also store decryption keys for encrypted boot, preventing flash contents from being read externally.

RISC-V architecture support is implemented by dynamically swapping the Cortex-M33 (Armv8-M) processors with Hazard3 (RV32IMAC+) processors. Both architectures are available on all RP2350-family devices. The RISC-V cores support debug over SWD, and can be programmed with the same SDK as the Arm cores.

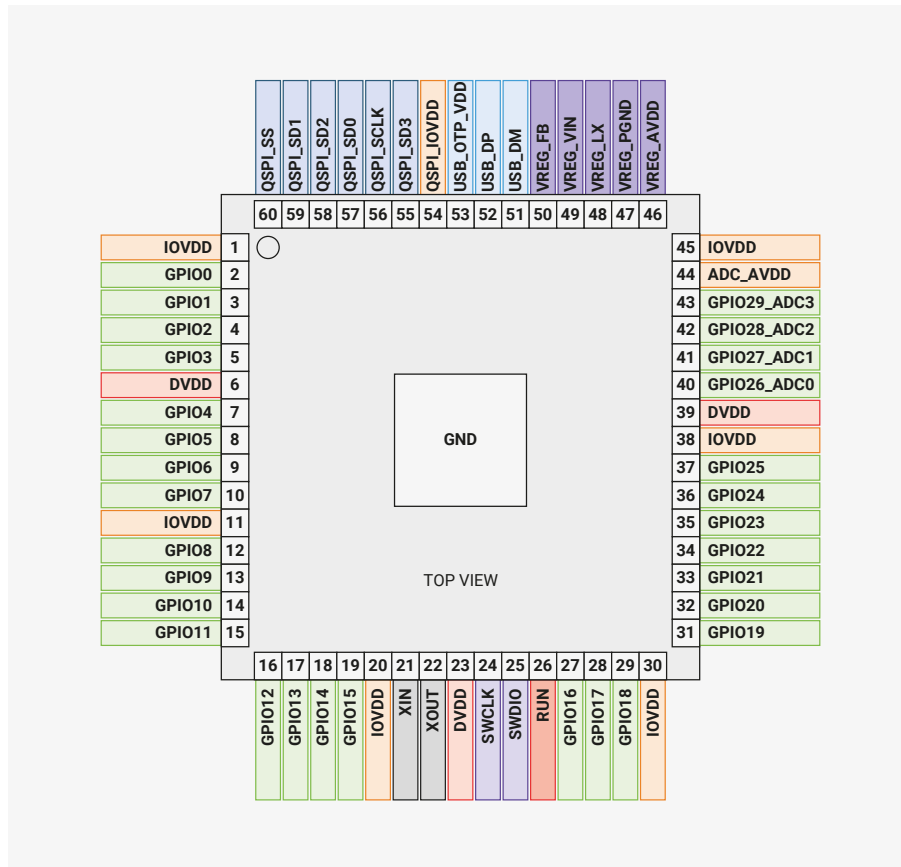
1.2. Pinout reference

This section provides a quick reference for pinout and pin functions. Full details, including electrical specifications and package drawings, can be found in [Chapter 14](#).

1.2.1. Pin locations

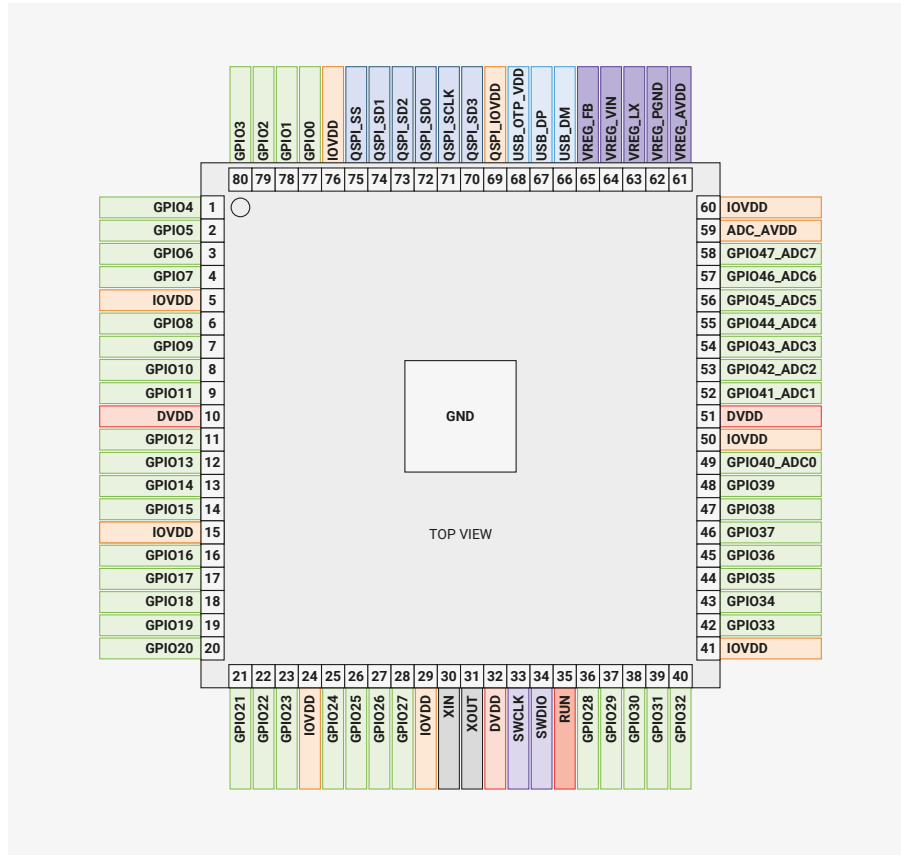
1.2.1.1. QFN-60 (RP2350A)

Figure 2. RP2350
Pinout for QFN-60
7x7mm (reduced ePad
size)



1.2.1.2. QFN-80 (RP2350B)

Figure 3. RP2350 Pinout for QFN-80 10x10mm (reduced ePad size)



1.2.2. Pin descriptions

Table 2. The function of each pin is briefly described here. Full electrical specifications can be found in Chapter 14.

| Name | Description |
|-------------------|--|
| GPIOx | General-purpose digital input and output. RP2350 can connect one of a number of internal peripherals to each GPIO, or control GPIOs directly from software. |
| GPIOx/ADCy | General-purpose digital input and output, with analogue-to-digital converter function. The RP2350 ADC has an analogue multiplexer which can select any one of these pins, and sample the voltage. |
| QSPIx | Interface to a SPI, Dual-SPI or Quad-SPI flash or PSRAM device, with execute-in-place support. These pins can also be used as software-controlled GPIOs, if they are not required for flash access. |
| USB_DM and USB_DP | USB controller, supporting Full Speed device and Full/Low Speed host. A 27Ω series termination resistor is required on each pin, but bus pullups and pulldowns are provided internally. These pins can be used as software-controlled GPIOs, if USB is not required. |
| XIN and XOUT | Connect a crystal to RP2350's crystal oscillator. XIN can also be used as a single-ended CMOS clock input, with XOUT disconnected. The USB bootloader defaults to a 12MHz crystal or 12MHz clock input, but this can be configured via OTP. |
| RUN | Global asynchronous reset pin. Reset when driven low, run when driven high. If no external reset is required, this pin can be tied directly to IOVDD. |
| SWCLK and SWDIO | Access to the internal Serial Wire Debug multi-drop bus. Provides debug access to both processors, and can be used to download code. |
| GND | Single external ground connection, bonded to a number of internal ground pads on the RP2350 die. |

| Name | Description |
|-------------|---|
| IOVDD | Power supply for digital GPIOs, nominal voltage 1.8V to 3.3V |
| USB_OTP_VDD | Power supply for internal USB Full Speed PHY and OTP storage, nominal voltage 3.3V |
| ADC_AVDD | Power supply for analogue-to-digital converter, nominal voltage 3.3V |
| QSPI_IOVDD | Power supply for QSPI IOs, nominal voltage 1.8V to 3.3V |
| VREG_AVDD | Analogue power supply for internal core voltage regulator, nominal voltage 3.3V |
| VREG_PGND | Power-ground connection for internal core voltage regulator, tie to ground externally |
| VREG_LX | Switched-mode output for internal core voltage regulator, connected to external inductor. Max current 200 mA, nominal voltage 1.1V after filtering. |
| VREG_VIN | Power input for internal core voltage regulator, nominal voltage 2.7V to 5.5V |
| VREG_FB | Voltage feedback for internal core voltage regulator, connect to filtered VREG output (e.g. to DVDD, if the regulator is used to supply DVDD) |
| DVDD | Digital core power supply, nominal voltage 1.1V. Must be connected externally, either to the voltage regulator output, or an external board-level power supply. |

1.2.3. GPIO functions (Bank 0)

Each individual GPIO pin can be connected to an internal peripheral via the GPIO functions defined below. Some internal peripheral connections appear in multiple places to allow some system level flexibility. SIO, PIO0, PIO1 and PIO2 can connect to all GPIO pins and are controlled by software (or software controlled state machines) so can be used to implement many functions.

Table 3. General Purpose Input/Output (GPIO) Bank 0 Functions

| GPIO | F0 | F1 | F2 | F3 | F4 | F5 | F6 | F7 | F8 | F9 | F10 | F11 |
|------|------|----------|-----------|----------|--------|-----|------|------|------|--------------|---------------|----------|
| 0 | | SPI0 RX | UART0 TX | I2C0 SDA | PWM0 A | SIO | PI00 | PI01 | PI02 | QMI CS1n | USB OVCUR DET | |
| 1 | | SPI0 CSn | UART0 RX | I2C0 SCL | PWM0 B | SIO | PI00 | PI01 | PI02 | TRACECLK | USB VBUS DET | |
| 2 | | SPI0 SCK | UART0 CTS | I2C1 SDA | PWM1 A | SIO | PI00 | PI01 | PI02 | TRACEDATA0 | USB VBUS EN | UART0 TX |
| 3 | | SPI0 TX | UART0 RTS | I2C1 SCL | PWM1 B | SIO | PI00 | PI01 | PI02 | TRACEDATA1 | USB OVCUR DET | UART0 RX |
| 4 | | SPI0 RX | UART1 TX | I2C0 SDA | PWM2 A | SIO | PI00 | PI01 | PI02 | TRACEDATA2 | USB VBUS DET | |
| 5 | | SPI0 CSn | UART1 RX | I2C0 SCL | PWM2 B | SIO | PI00 | PI01 | PI02 | TRACEDATA3 | USB VBUS EN | |
| 6 | | SPI0 SCK | UART1 CTS | I2C1 SDA | PWM3 A | SIO | PI00 | PI01 | PI02 | | USB OVCUR DET | UART1 TX |
| 7 | | SPI0 TX | UART1 RTS | I2C1 SCL | PWM3 B | SIO | PI00 | PI01 | PI02 | | USB VBUS DET | UART1 RX |
| 8 | | SPI1 RX | UART1 TX | I2C0 SDA | PWM4 A | SIO | PI00 | PI01 | PI02 | QMI CS1n | USB VBUS EN | |
| 9 | | SPI1 CSn | UART1 RX | I2C0 SCL | PWM4 B | SIO | PI00 | PI01 | PI02 | | USB OVCUR DET | |
| 10 | | SPI1 SCK | UART1 CTS | I2C1 SDA | PWM5 A | SIO | PI00 | PI01 | PI02 | | USB VBUS DET | UART1 TX |
| 11 | | SPI1 TX | UART1 RTS | I2C1 SCL | PWM5 B | SIO | PI00 | PI01 | PI02 | | USB VBUS EN | UART1 RX |
| 12 | HSTX | SPI1 RX | UART0 TX | I2C0 SDA | PWM6 A | SIO | PI00 | PI01 | PI02 | CLOCK GPIN0 | USB OVCUR DET | |
| 13 | HSTX | SPI1 CSn | UART0 RX | I2C0 SCL | PWM6 B | SIO | PI00 | PI01 | PI02 | CLOCK GPOUT0 | USB VBUS DET | |
| 14 | HSTX | SPI1 SCK | UART0 CTS | I2C1 SDA | PWM7 A | SIO | PI00 | PI01 | PI02 | CLOCK GPIN1 | USB VBUS EN | UART0 TX |
| 15 | HSTX | SPI1 TX | UART0 RTS | I2C1 SCL | PWM7 B | SIO | PI00 | PI01 | PI02 | CLOCK GPOUT1 | USB OVCUR DET | UART0 RX |
| 16 | HSTX | SPI0 RX | UART0 TX | I2C0 SDA | PWM0 A | SIO | PI00 | PI01 | PI02 | | USB VBUS DET | |
| 17 | HSTX | SPI0 CSn | UART0 RX | I2C0 SCL | PWM0 B | SIO | PI00 | PI01 | PI02 | | USB VBUS EN | |
| 18 | HSTX | SPI0 SCK | UART0 CTS | I2C1 SDA | PWM1 A | SIO | PI00 | PI01 | PI02 | | USB OVCUR DET | UART0 TX |
| 19 | HSTX | SPI0 TX | UART0 RTS | I2C1 SCL | PWM1 B | SIO | PI00 | PI01 | PI02 | QMI CS1n | USB VBUS DET | UART0 RX |
| 20 | | SPI0 RX | UART1 TX | I2C0 SDA | PWM2 A | SIO | PI00 | PI01 | PI02 | CLOCK GPIN0 | USB VBUS EN | |
| 21 | | SPI0 CSn | UART1 RX | I2C0 SCL | PWM2 B | SIO | PI00 | PI01 | PI02 | CLOCK GPOUT0 | USB OVCUR DET | |
| 22 | | SPI0 SCK | UART1 CTS | I2C1 SDA | PWM3 A | SIO | PI00 | PI01 | PI02 | CLOCK GPIN1 | USB VBUS DET | UART1 TX |

| GPIO | F0 | F1 | F2 | F3 | F4 | F5 | F6 | F7 | F8 | F9 | F10 | F11 |
|---|----|----------|-----------|----------|---------|-----|------|------|------|--------------|---------------|----------|
| 23 | | SPI0 TX | UART1 RTS | I2C1 SCL | PWM3 B | SIO | PI00 | PI01 | PI02 | CLOCK GPOUT1 | USB VBUS EN | UART1 RX |
| 24 | | SPI1 RX | UART1 TX | I2C0 SDA | PWM4 A | SIO | PI00 | PI01 | PI02 | CLOCK GPOUT2 | USB OVCUR DET | |
| 25 | | SPI1 CSn | UART1 RX | I2C0 SCL | PWM4 B | SIO | PI00 | PI01 | PI02 | CLOCK GPOUT3 | USB VBUS DET | |
| 26 | | SPI1 SCK | UART1 CTS | I2C1 SDA | PWM5 A | SIO | PI00 | PI01 | PI02 | | USB VBUS EN | UART1 TX |
| 27 | | SPI1 TX | UART1 RTS | I2C1 SCL | PWM5 B | SIO | PI00 | PI01 | PI02 | | USB OVCUR DET | UART1 RX |
| 28 | | SPI1 RX | UART0 TX | I2C0 SDA | PWM6 A | SIO | PI00 | PI01 | PI02 | | USB VBUS DET | |
| 29 | | SPI1 CSn | UART0 RX | I2C0 SCL | PWM6 B | SIO | PI00 | PI01 | PI02 | | USB VBUS EN | |
| GPIOs 30 through 47 are QFN-80 only: | | | | | | | | | | | | |
| 30 | | SPI1 SCK | UART0 CTS | I2C1 SDA | PWM7 A | SIO | PI00 | PI01 | PI02 | | USB OVCUR DET | UART0 TX |
| 31 | | SPI1 TX | UART0 RTS | I2C1 SCL | PWM7 B | SIO | PI00 | PI01 | PI02 | | USB VBUS DET | UART0 RX |
| 32 | | SPI0 RX | UART0 TX | I2C0 SDA | PWM8 A | SIO | PI00 | PI01 | PI02 | | USB VBUS EN | |
| 33 | | SPI0 CSn | UART0 RX | I2C0 SCL | PWM8 B | SIO | PI00 | PI01 | PI02 | | USB OVCUR DET | |
| 34 | | SPI0 SCK | UART0 CTS | I2C1 SDA | PWM9 A | SIO | PI00 | PI01 | PI02 | | USB VBUS DET | UART0 TX |
| 35 | | SPI0 TX | UART0 RTS | I2C1 SCL | PWM9 B | SIO | PI00 | PI01 | PI02 | | USB VBUS EN | UART0 RX |
| 36 | | SPI0 RX | UART1 TX | I2C0 SDA | PWM10 A | SIO | PI00 | PI01 | PI02 | | USB OVCUR DET | |
| 37 | | SPI0 CSn | UART1 RX | I2C0 SCL | PWM10 B | SIO | PI00 | PI01 | PI02 | | USB VBUS DET | |
| 38 | | SPI0 SCK | UART1 CTS | I2C1 SDA | PWM11 A | SIO | PI00 | PI01 | PI02 | | USB VBUS EN | UART1 TX |
| 39 | | SPI0 TX | UART1 RTS | I2C1 SCL | PWM11 B | SIO | PI00 | PI01 | PI02 | | USB OVCUR DET | UART1 RX |
| 40 | | SPI1 RX | UART1 TX | I2C0 SDA | PWM8 A | SIO | PI00 | PI01 | PI02 | | USB VBUS DET | |
| 41 | | SPI1 CSn | UART1 RX | I2C0 SCL | PWM8 B | SIO | PI00 | PI01 | PI02 | | USB VBUS EN | |
| 42 | | SPI1 SCK | UART1 CTS | I2C1 SDA | PWM9 A | SIO | PI00 | PI01 | PI02 | | USB OVCUR DET | UART1 TX |
| 43 | | SPI1 TX | UART1 RTS | I2C1 SCL | PWM9 B | SIO | PI00 | PI01 | PI02 | | USB VBUS DET | UART1 RX |
| 44 | | SPI1 RX | UART0 TX | I2C0 SDA | PWM10 A | SIO | PI00 | PI01 | PI02 | | USB VBUS EN | |

| GPIO | F0 | F1 | F2 | F3 | F4 | F5 | F6 | F7 | F8 | F9 | F10 | F11 |
|------|----|----------|-----------|----------|---------|-----|------|------|------|----------|---------------|----------|
| 45 | | SPI1 CSn | UART0 RX | I2C0 SCL | PWM10 B | SIO | PI00 | PI01 | PI02 | | USB OVCUR DET | |
| 46 | | SPI1 SCK | UART0 CTS | I2C1 SDA | PWM11 A | SIO | PI00 | PI01 | PI02 | | USB VBUS DET | UART0 TX |
| 47 | | SPI1 TX | UART0 RTS | I2C1 SCL | PWM11 B | SIO | PI00 | PI01 | PI02 | QMI CS1n | USB VBUS EN | UART0 RX |

Table 4. GPIO bank 0 function descriptions

| Function Name | Description |
|--------------------------------|---|
| SPIx | Connect one of the internal PL022 SPI peripherals to GPIO |
| UARTx | Connect one of the internal PL011 UART peripherals to GPIO |
| I2Cx | Connect one of the internal DW I2C peripherals to GPIO |
| PWMx A/B | Connect a PWM slice to GPIO. There are twelve PWM slices, each with two output channels (A/B). The B pin can also be used as an input, for frequency and duty cycle measurement. |
| SIO | Software control of GPIO, from the single-cycle IO (SIO) block. The SIO function (F5) must be selected for the processors to <i>drive</i> a GPIO, but the input is always connected, so software can check the state of GPIOs at any time. |
| PIOx | Connect one of the programmable IO blocks (PIO) to GPIO. PIO can implement a <i>wide</i> variety of interfaces, and has its own internal pin mapping hardware, allowing flexible placement of digital interfaces on bank 0 GPIOs. The PIO function (F6, F7, F8) must be selected for PIO to <i>drive</i> a GPIO, but the input is always connected, so the PIOs can always see the state of all pins. |
| HSTX | Connect the high-speed transmit peripheral (HSTX) to GPIO |
| CLOCK GPINx | General purpose clock inputs. Can be routed to a number of internal clock domains on RP2350, e.g. to provide a 1Hz clock for the AON Timer, or can be connected to an internal frequency counter. |
| CLOCK GPOUTx | General purpose clock outputs. Can drive a number of internal clocks (including PLL outputs) onto GPIOs, with optional integer divide. |
| TRACECLK, TRACEDATAx | CoreSight TPIU execution trace output from Cortex-M33 processors (Arm-only) |
| USB OVCUR DET/VBUS DET/VBUS EN | USB power control signals to/from the internal USB controller |
| QMI CS1n | Auxiliary chip select for QSPI bus, to allow execute-in-place from an additional flash or PSRAM device |

NOTE

GPIOs 0 through 29 are available in all package variants. GPIOs 30 through 47 are available only in QFN-80 (RP2350B) package.

NOTE

Analogue input is available on GPIOs 26 through 29 in the QFN-60 package (RP2350A), for a total of four inputs, and on GPIOs 40 through 47 in the QFN-80 package (RP2350B), for a total of eight inputs.

1.2.4. GPIO functions (Bank 1)

GPIO functions are also available on the six dedicated QSPI pins, which are usually used for flash execute-in-place, and on the USB DP/DM pins. These may become available for general-purpose use depending on the use case, for example, QSPI pins may not be needed for code execution if RP2350 is booting from internal OTP storage, or being controlled externally via SWD.

Table 5. GPIO Bank 1 Functions

| Pin | F0 | F1 | F2 | F3 | F4 | F5 | F6 | F7 | F8 | F9 | F10 | F11 |
|--------|----|----|----------|----------|----|-----|----|----|----|----|-----|-----|
| USB DP | | | UART1 TX | I2C0 SDA | | SIO | | | | | | |

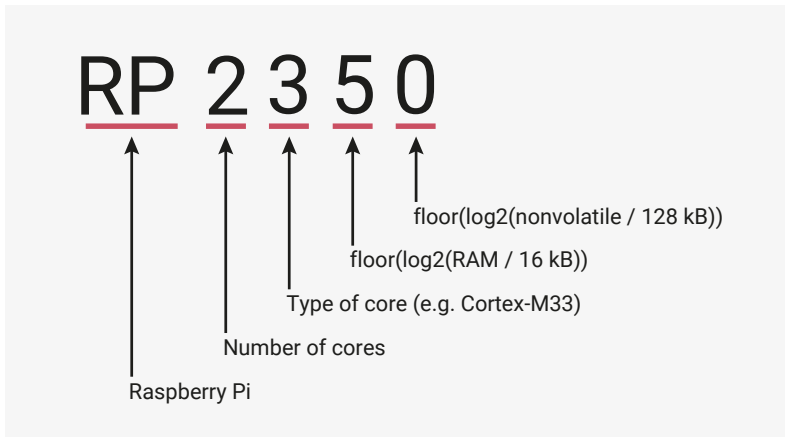
| Pin | F0 | F1 | F2 | F3 | F4 | F5 | F6 | F7 | F8 | F9 | F10 | F11 |
|----------|----------|----|-----------|----------|----|-----|----|----|----|----|-----|----------|
| USB DM | | | UART1 RX | I2C0 SCL | | SIO | | | | | | |
| QSPI SCK | QMI SCK | | UART1 CTS | I2C1 SDA | | SIO | | | | | | UART1 TX |
| QSPI CSn | QMI CS0n | | UART1 RTS | I2C1 SCL | | SIO | | | | | | UART1 RX |
| QSPI SD0 | QMI SD0 | | UART0 TX | I2C0 SDA | | SIO | | | | | | |
| QSPI SD1 | QMI SD1 | | UART0 RX | I2C0 SCL | | SIO | | | | | | |
| QSPI SD2 | QMI SD2 | | UART0 CTS | I2C1 SDA | | SIO | | | | | | UART0 TX |
| QSPI SD3 | QMI SD3 | | UART0 RTS | I2C1 SCL | | SIO | | | | | | UART0 RX |

Table 6. GPIO bank 1 function descriptions

| Function Name | Description |
|---------------|--|
| UARTx | Connect one of the internal PL011 UART peripherals to GPIO |
| I2Cx | Connect one of the internal DW I2C peripherals to GPIO |
| SIO | Software control of GPIO, from the single-cycle IO (SIO) block. The SIO function (F5) must be selected for the processors to <i>drive</i> a GPIO, but the input is always connected, so software can check the state of GPIOs at any time. |
| QMI | QSPI memory interface peripheral, used for execute-in-place from external QSPI flash or PSRAM memory devices. |

1.3. Why is the chip called RP2350?

Figure 4. An explanation for the name of the RP2350 chip.



The post-fix numeral on RP2350 comes from the following,

1. Number of processor cores
 - o 2 indicates a dual-core system
2. Loosely which type of processor
 - o 3 indicates Cortex-M33 or Hazard3
3. Internal memory capacity: $\log_2\left[\frac{RAM}{16kB}\right]$
 - o 5 indicates at least $2^5 \times 16 \text{ kB} = 512 \text{ kB}$
 - o RP2350 has 520 kB of main system SRAM
4. Internal storage capacity: $\log_2\left[\frac{nonvolatile}{128kB}\right]$ (or 0 if no onboard nonvolatile storage)

- RP2350 uses external flash
- RP2354 has $2^4 \times 128 \text{ kB} = 2 \text{ MB}$ of internal flash

1.4. Version History

[Table 7](#) lists versions of RP2350. Later versions fix bugs in earlier versions. For more information about the changes made between versions, see [Appendix C](#). Also refer to Product Change Notification (PCN) 28.

Table 7. RP2350
version history

| Version | Use |
|---------|---|
| A0 | Internal development |
| A1 | Internal development |
| A2 | Initial release |
| A3 | Internal development, samples, and limited production |
| A4 | Production version |

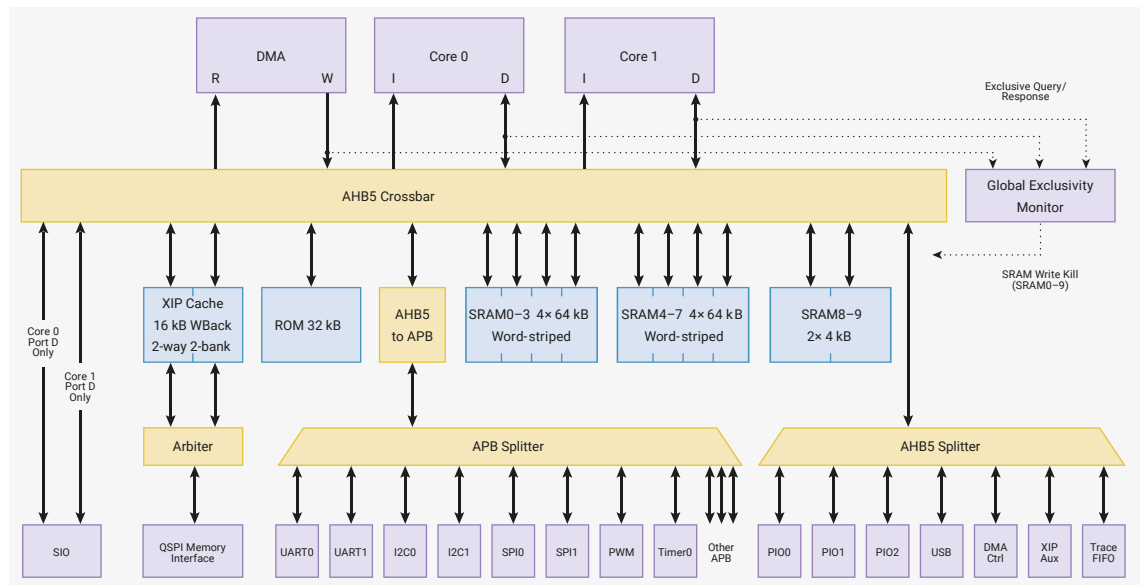
Chapter 2. System bus

2.1. Bus fabric

The RP2350 bus fabric routes addresses and data across the chip.

Figure 5 shows the high-level structure of the bus fabric. The main AHB5 crossbar routes addresses and data between its 6 upstream ports and 17 downstream ports, with up to six bus transfers taking place each cycle. All data paths are 32 bits wide. Memories connect to multiple dedicated ports on the main crossbar, for the best possible memory bandwidth. High-bandwidth AHB peripherals share a port on the crossbar. An APB bridge provides access to system control registers and lower-bandwidth peripherals. The SIO peripherals are accessed via a dedicated path from each processor.

Figure 5. RP2350 bus fabric overview.



The bus fabric connects 6 AHB5 managers, i.e. bus ports which generate addresses:

- Core 0: Instruction port (instruction fetch), and Data port (load/store access)
- Core 1: Instruction port (instruction fetch), and Data port (load/store access)
- DMA controller: Read port, Write port

The following 13 downstream ports are symmetrically accessible from all 6 upstream ports:

- Boot ROM (1 port)
- XIP (2 ports, striped)
- SRAM (10 ports, striped)

Additionally, the following 2 ports are accessible for processor load/store and DMA read/write only:

- 1 shared port for fast AHB5 peripherals: PIO0, PIO1, PIO2, USB, DMA control registers, XIP DMA FIFOs, HSTX FIFO, CoreSight trace DMA FIFO
- 1 port for the APB bridge, to all APB peripherals and control registers

i NOTE

Instruction fetch from peripherals is *physically disconnected*, to avoid this IDAU-Exempt region ever becoming both Non-secure-writable and Secure-executable. This includes USB RAM, OTP and boot RAM. See [Section 10.2.2](#).

The SIO block, which was connected to the Cortex-M0+ IOPORT on RP2040, provides two AHB ports, each dedicated to load/store access from one core.

The six managers can access any six *different* crossbar ports simultaneously. So, at a system clock of 150 MHz, the maximum sustained bus bandwidth is 3.6 GB/s.

2.1.1. Bus priority

The main AHB5 crossbar implements a two-level bus priority scheme. Priority levels are configured separately for core 0, core 1, DMA read and DMA write, using the [BUS_PRIORITY](#) register in the BUSCTRL register block.

When a downstream subordinate receives multiple simultaneous access requests, the port serves high-priority (priority level 1) managers before serving any requests from low-priority (priority 0) managers. If all requests come from managers with the same priority level, the port applies a round-robin tie break, granting access to each manager in turn.

i NOTE

Priority arbitration only applies when multiple managers attempt to access the **same** subordinate on the same cycle. When multiple managers access different subordinates, e.g. different SRAM banks, the requests proceed simultaneously.

A subordinate with zero wait states can be accessed once per system clock cycle. When accessing a subordinate with zero wait states (e.g. SRAM), high-priority managers never experience delays caused by accesses from low-priority managers. This *guarantees* latency and throughput for real-time use cases. However, it also means that low-priority managers may stall until there is a free cycle.

2.1.2. Bus security filtering

Every point where the fabric connects to a downstream AHB or APB peripheral is interposed by a bus security filter, which enforces the following access control lists as defined by the ACCESSCTRL registers ([Section 10.6](#)):

- A list of who can access the port: core 0, core 1, DMA, debugger
- A list of the security states from which the port can be accessed: the four combinations of Secure/Non-secure and Privileged/Unprivileged.

Accesses that fail either check are prevented from accessing the downstream port, and return a bus error upstream.

There are three exceptions, which do not implement bus security filters because they implement their own security filtering internally:

- The ACCESSCTRL block itself, which is always world-readable, but filters writes on security and privilege
- Boot RAM, which is hardwired to Secure access only
- The single-cycle IO subsystem (SIO), which is internally banked over Secure and Non-secure

The Cortex-M Private Peripheral Bus (PPB) registers also lack ACCESSCTRL permissions because they are internal to the processors, not accessed through the system bus. The PPB registers are internally banked over Secure and Non-secure.

2.1.3. Atomic register access

Each peripheral register block is allocated 4 kB of address space, with registers accessed using one of 4 methods, selected by address decode.

- `Addr + 0x0000` : normal read write access
- `Addr + 0x1000` : atomic XOR on write
- `Addr + 0x2000` : atomic bitmask set on write
- `Addr + 0x3000` : atomic bitmask clear on write

This allows software to modify individual fields of a control register without performing a read-modify-write sequence. Instead, the peripheral itself modifies its contents in-place. Without this capability, it is difficult to safely access IO registers when an interrupt service routine is concurrent with code running in the foreground, or when the two processors run code in parallel.

The four atomic access aliases occupy a total of 16 kB. Native atomic writes take the same number of clock cycles as normal writes. Most peripherals on RP2350 provide this functionality natively, but some peripherals (I2C, UART, SPI and SSI) add this functionality using a bus interposer. The bus interposer translates upstream atomic writes into downstream read-modify-write sequences at the boundary of the peripheral, at the cost of additional clock cycles. Atomic writes that use a bus interposer take two additional clock cycles compared to normal writes.

The following registers do not support atomic register access:

- SIO ([Section 3.1](#)), though some individual registers (for example, GPIO) have set, clear, and XOR aliases.
- Any register accessed through the self-hosted CoreSight window, including Arm Mem-APs and the RISC-V Debug Module.
- Standard Arm control registers on the Cortex-M33 private peripheral bus (PPB), except for Raspberry Pi-specific registers on the EPPB.
- OTP programming registers accessed through the SBPI bridge.

2.1.4. APB bridge

The APB bridge provides an interface between the high-speed main AHB5 interconnect and the lower-bandwidth peripherals. Unlike the AHB5 fabric, which offers zero-wait-state accesses everywhere, APB accesses take a minimum of three cycles for a read, and four cycles for a write.

As a result, the throughput of the APB portion of the bus fabric is lower than the AHB5 portion. However, there is more than sufficient bandwidth to saturate the APB serial peripherals.

The following APB ports contain asynchronous bus crossings, which insert additional stall cycles on top of the typical cost of a read or write in the APB bridge:

- ADC
- HSTX_CTRL
- OTP
- POWMAN

The APB bridge implements a fixed timeout for stalled downstream transfers. The downstream bus may stall indefinitely, such as when accessing an asynchronous bus crossing when the destination clock is stopped, or deadlock conditions when accessing system APB registers through Mem-APs in the self-hosted debug window ([Section 3.5.6](#)). When an APB transfer exceeds 65,535 cycles the APB bridge abandons the transfer and returns a bus fault. This keeps the system bus available so that software or the debugger can diagnose the reason for the overly long transfer.

2.1.5. Narrow IO register writes

The majority of memory-mapped IO registers on RP2350 ignore the width of bus read/write accesses. They treat all writes as though they were 32 bits in size. This means software cannot use byte or halfword writes to modify part of an IO register: any write to an address where the 30 address MSBs match the register address affects the contents of the entire register.

To update part of an IO register without a read-modify-write sequence, the best solution on RP2350 is atomic set/clear/XOR (see [Section 2.1.3](#)). This is more flexible than byte or halfword writes, as any combination of fields can be updated in one operation.

Upon a 8-bit or 16-bit write (such as a `strb` instruction on the Cortex-M33), the narrow value is replicated multiple times across the 32-bit data bus, so that it is broadcast to all 8-bit or 16-bit segments of the destination register:

Pico Examples: https://github.com/raspberrypi/pico-examples/blob/master/system/narrow_io_write/narrow_io_write.c Lines 19 - 62

```

19 int main() {
20     stdio_init_all();
21
22     // We'll use WATCHDOG_SCRATCH0 as a convenient 32 bit read/write register
23     // that we can assign arbitrary values to
24     io_rw_32 *scratch32 = &watchdog_hw->scratch[0];
25     // Alias the scratch register as two halfwords at offsets +0x0 and +0x2
26     volatile uint16_t *scratch16 = (volatile uint16_t *) scratch32;
27     // Alias the scratch register as four bytes at offsets +0x0, +0x1, +0x2, +0x3:
28     volatile uint8_t *scratch8 = (volatile uint8_t *) scratch32;
29
30     // Show that we can read/write the scratch register as normal:
31     printf("Writing 32 bit value\n");
32     *scratch32 = 0xdeadbeef;
33     printf("Should be 0xdeadbeef: 0x%08x\n", *scratch32);
34
35     // We can do narrow reads just fine -- IO registers treat this as a 32 bit
36     // read, and the processor/DMA will pick out the correct byte lanes based
37     // on transfer size and address LSBs
38     printf("\nReading back 1 byte at a time\n");
39     // Little-endian!
40     printf("Should be ef be ad de: %02x ", scratch8[0]);
41     printf("%02x ", scratch8[1]);
42     printf("%02x ", scratch8[2]);
43     printf("%02x\n", scratch8[3]);
44
45     // Byte writes are replicated four times across the 32-bit bus, and IO
46     // registers usually sample the entire write bus.
47     printf("\nWriting 8 bit value 0xa5 at offset 0\n");
48     scratch8[0] = 0xa5;
49     // Read back the whole scratch register in one go
50     printf("Should be 0xa5a5a5a5: 0x%08x\n", *scratch32);
51
52     // The IO register ignores the address LSBs [1:0] as well as the transfer
53     // size, so it doesn't matter what byte offset we use
54     printf("\nWriting 8 bit value at offset 1\n");
55     scratch8[1] = 0x3c;
56     printf("Should be 0x3c3c3c3c: 0x%08x\n", *scratch32);
57
58     // Halfword writes are also replicated across the write data bus
59     printf("\nWriting 16 bit value at offset 0\n");
60     scratch16[0] = 0xf00d;
61     printf("Should be 0xf00df00d: 0x%08x\n", *scratch32);
62 }

```

To disable this behaviour on RP2350, set bit 14 of the address by accessing the peripheral at an offset of `+0x4000`. This

causes invalid byte lanes to be driven to zero, rather than being driven with replicated data. In some situations, such as DMA of 8-bit values to the PWM peripheral, the default replication behaviour is not desirable.

2.1.6. Global Exclusive Monitor

The Global Exclusive Monitor enables standard Arm and RISC-V atomic instructions to safely access shared variables in SRAM from both cores. This underpins software libraries for manipulating shared variables, such as `stdatomic.h` in C11. For detailed rules governing the monitor's operation, see the [Armv8-M Architecture Reference Manual](#).

Arm describes exclusive monitor interactions in terms of a *processing element*, PE, which performs a sequence of bus accesses. For RP2350 purposes, this is one AHB5 manager out of the following three: core 0 load/store, core 1 load/store, and DMA write. The DMA does not itself perform exclusive accesses, but its writes are monitored with respect to exclusive sequences on either processor. No distinction is made between debugger and non-debugger accesses from a processor.

The monitor observes all transfers on SRAM initiated by the DMA write and processor load/store ports, and pays particular attention to two types of transfer:

- AHB5 *exclusive reads*: Arm `ldrex*` instructions, RISC-V `lr.w` instructions, and the read phase of RISC-V AMOs (The Hazard3 cores on RP2350 implement AMOs as an exclusive read/write pair that retries until the write succeeds).
- AHB5 *exclusive writes*: Arm `strex*` instructions, RISC-V `sc.w` instructions, and the writeback phase of RISC-V AMOs

Based on these observations, the monitor enforces that an atomic read-modify-write sequence (formed of an exclusive read followed by a successful exclusive write by the same PE) is not interleaved with another PE's successful write (exclusive or not) to the same reservation granule. A reservation granule is any 16-byte, naturally aligned area of SRAM. An exclusive write succeeds when all of the following are true:

- It is preceded by an exclusive read by the same PE
- No other exclusive writes were performed by this PE since that exclusive read
- The exclusive read was to the same reservation granule
- The exclusive read was of the same size (byte/halfword/word)
- The exclusive read was from the same security and privilege state
- No other PEs successfully wrote to the same granule since that exclusive read

If the above conditions are *not* met, the Global Exclusive Monitor shoots down the exclusive write before SRAM can commit the write data. The failure is reported to the originating PE, for example by a non-zero return value from an Arm `strex` instruction.

This implementation of the Armv8-M Global Exclusive Monitor also meets the requirements for RISC-V `lr/sc` and `amo*` instructions, with the caveat that the *RsrvEventual* PMA is not supported. (In practice, whilst it is quite easy to come up with contrived examples of starvation such as the DMA writing to a shared variable on every single cycle, bounded LR/SC and AMO sequences will generally complete quickly.)

CAUTION

Secure software should avoid shared variables in Non-secure-accessible memory. Such variables are vulnerable to deliberate starvation from exclusive accesses by repeatedly performing non-exclusive writes.

Exclusive accesses are only supported on SRAM. The system treats exclusive accesses to other memory regions as normal reads and writes, reporting exclusivity failure to the originating PE, for example by a non-zero return value from an Arm `strex` instruction.

2.1.6.1. Implementation-defined monitor behaviour

The [Armv8-M Architecture Reference Manual](#) leaves several aspects of the Global Exclusive Monitor up to the implementation. For completeness, the RP2350 implementation defines them as follows:

- The reservation granule size is fixed at 16 bytes
- A single reservation is tracked per PE
- The Arm `clrex` instruction does not affect global monitor state
- Any exclusive write by a PE clears that PE's global reservation
- A non-exclusive write by a PE does *not* clear that PE's global reservation, no matter the address

Only the following updates a PE's reservation tag, setting its reservation state to **Exclusive**:

- An exclusive read on SRAM

Only the following changes a PE's reservation state from **Exclusive** to **Open**:

- A *successful* exclusive write from another PE to this PE's reservation
- A non-exclusive write from another PE to this PE's reservation
- Any exclusive write by this PE
- An exclusive read by this PE, *not* on SRAM

A reservation granule can span multiple SRAM banks, so multiple operations on the same reservation granule may complete on the same cycle. This can result in the following problematic situations:

- Multiple exclusive writes to the same reservation granule, reserved on each PE: in this case the lowest-numbered PE succeeds (in the order DMA < core 0 < core 1), and all others fail.
- A mixture of non-exclusive and exclusive writes to the same reservation granule on the same cycle: in this case, the exclusive writes fail.
- One PE *x* can write to a reservation granule on the same cycle that another PE *y* attempts to reserve the *same* reservation granule via exclusive load: in this case, *y*'s reservation is granted (i.e. the write takes place logically before the load).
- One PE *x* can write to a reservation granule reserved by another PE *y*, on the same cycle that PE *y* makes a new reservation on a *different* reservation granule: in this case, again, *y*'s reservation is granted.

These rules can be summarised by a *logical* ordering of all possible events on a reservation granule that can occur on the same cycle: first all normal writes in arbitrary order, then all exclusive writes in ascending PE order (DMA, core 0, core 1), then all loads in arbitrary order.

2.1.6.2. Regions without exclusives support

The Global Exclusive monitor only supports exclusive transactions on certain address ranges. The main system SRAM supports exclusive transactions throughout its entire range: `0x20000000` through `0x20082000`. Within ranges that support exclusive transactions, the Global Exclusive monitor:

- Tracks exclusive sequences across all participating PEs.
- Drives the exclusive success/failure response correctly based on the observed ordering.
- Shoots down failing exclusive writes so that they have no effect.

Exclusive transactions aren't supported outside of this range; all exclusive accesses report exclusive failure (both exclusive reads and exclusive writes), and exclusive writes aren't suppressed.

Outside of regions with exclusive transaction support, load/store exclusive loops run forever while still affecting SRAM contents. This applies to both Arm processors performing exclusive reads/writes and RISC-V processors performing `lr.w/sc.w` instructions. However, an `amo*.w` instruction on Hazard3 will result in a Store/AMO Fault, as the hardware

detects the failed exclusive read and bails out to avoid an infinite loop.

It is recommended not to perform exclusive accesses on regions outside of main SRAM. Shared variables outside of main SRAM can be protected using either lock variables in main SRAM, the SIO spinlocks, or a locking protocol that does not require exclusive accesses, such as a lock-free queue.

2.1.7. Bus performance counters

Bus performance counters automatically count accesses to the main AHB5 crossbar arbiters. These counters can help diagnose high-traffic performance issues.

There are four performance counters, starting at [PERFCTR0](#). Each is a 24-bit saturating counter. Counter values can be read from [BUSCTRL_PERFCTR_x](#) and cleared by writing any value to [BUSCTRL_PERFCTR_x](#). Each counter can count one of the 20 available events at a time, as selected by [BUSCTRL_PERFSEL_x](#). For more information, see [Section 12.15.4](#).

2.2. Address map

The address map for the device is split into sections as shown in [Table 8](#). Details are shown in the following sections. Unmapped address ranges raise a bus error when accessed.

Each link in the left-hand column of [Table 8](#) goes to a detailed address map for that address range. The detailed address maps have a link for each address to the relevant documentation for that address.

Rough address decode is first performed on bits [31:28](#) of the address:

Table 8. Address Map Summary

| Bus Segment | Base Address |
|--|----------------------------|
| ROM | 0x00000000 |
| XIP | 0x10000000 |
| SRAM | 0x20000000 |
| APB Peripherals | 0x40000000 |
| AHB Peripherals | 0x50000000 |
| Core-local Peripherals (SIO) | 0xd0000000 |
| Cortex-M33 private registers | 0xe0000000 |

2.2.1. ROM

ROM is accessible to DMA, processor load/store, and processor instruction fetch. It is located at address zero, which is the starting point for both Arm processors when the device is reset.

Table 9. Address map for ROM bus segment

| Bus Endpoint | Base Address |
|--------------------------|----------------------------|
| ROM_BASE | 0x00000000 |

2.2.2. XIP

XIP is accessible to DMA, processor load/store, and processor instruction fetch. This address range contains various mirrors of a 64 MB space which is mapped to external memory devices. On RP2350 the lower 32 MB is occupied by the QSPI Memory Interface (QMI), and the remainder is reserved. QMI controls are in the APB register section.

Table 10. Address map for XIP bus segment

| Bus Endpoint | Base Address |
|--------------------------------------|--------------|
| XIP_BASE | 0x10000000 |
| XIP_NOCACHE_NOALLOC_BASE | 0x14000000 |
| XIP_MAINTENANCE_BASE | 0x18000000 |
| XIP_NOCACHE_NOALLOC_NOTRANSLATE_BASE | 0x1c000000 |

NOTE

XIP_SRAM_BASE no longer exists as a separate address range. Cache-as-SRAM is now achieved by pinning cache lines within the cached XIP address space.

2.2.3. SRAM

SRAM is accessible to DMA, processor load/store, and processor instruction fetch.

SRAM0-3 and SRAM4-7 are always striped on bits 3:2 of the address:

Table 11. Address map for SRAM bus segment, SRAM0-7 (striped)

| Bus Endpoint | Base Address |
|-------------------|--------------|
| SRAM_BASE | 0x20000000 |
| SRAM_STRIPED_BASE | 0x20000000 |
| SRAM0_BASE | 0x20000000 |
| SRAM4_BASE | 0x20040000 |
| SRAM_STRIPED_END | 0x20080000 |

There are two striped regions, each 256 kB in size, and each striped over 4 SRAM banks. SRAM0-3 are in the SRAM0 power domain, and SRAM4-7 are in the SRAM1 power domain.

SRAM 8-9 are always non-striped:

Table 12. Address map for SRAM bus segment, SRAM8-9 (non-striped)

| Bus Endpoint | Base Address |
|--------------|--------------|
| SRAM8_BASE | 0x20080000 |
| SRAM9_BASE | 0x20081000 |
| SRAM_END | 0x20082000 |

These smaller blocks of SRAM are useful for hoisting high-bandwidth data structures like the processor stacks. They are in the SRAM1 power domain.

2.2.4. APB registers

APB peripheral registers are accessible to processor load/store and DMA only. Instruction fetch will always fail.

The APB peripheral segment provides access to control and configuration registers, as well as data access for lower-bandwidth peripherals. APB writes cost a minimum of four cycles, and APB reads a minimum of three.

Table 13. Address map for APB bus segment

| Bus Endpoint | Base Address |
|--------------|--------------|
| SYSINFO_BASE | 0x40000000 |
| SYSCFG_BASE | 0x40008000 |

| Bus Endpoint | Base Address |
|-----------------------|--------------|
| CLOCKS_BASE | 0x40010000 |
| PSM_BASE | 0x40018000 |
| RESETS_BASE | 0x40020000 |
| IO_BANK0_BASE | 0x40028000 |
| IO_QSPI_BASE | 0x40030000 |
| PADS_BANK0_BASE | 0x40038000 |
| PADS_QSPI_BASE | 0x40040000 |
| XOSC_BASE | 0x40048000 |
| PLL_SYS_BASE | 0x40050000 |
| PLL_USB_BASE | 0x40058000 |
| ACCESSCTRL_BASE | 0x40060000 |
| BUSCTRL_BASE | 0x40068000 |
| UART0_BASE | 0x40070000 |
| UART1_BASE | 0x40078000 |
| SPI0_BASE | 0x40080000 |
| SPI1_BASE | 0x40088000 |
| I2C0_BASE | 0x40090000 |
| I2C1_BASE | 0x40098000 |
| ADC_BASE | 0x400a0000 |
| PWM_BASE | 0x400a8000 |
| TIMER0_BASE | 0x400b0000 |
| TIMER1_BASE | 0x400b8000 |
| HSTX_CTRL_BASE | 0x400c0000 |
| XIP_CTRL_BASE | 0x400c8000 |
| XIP_QMI_BASE | 0x400d0000 |
| WATCHDOG_BASE | 0x400d8000 |
| BOOTRAM_BASE | 0x400e0000 |
| ROSC_BASE | 0x400e8000 |
| TRNG_BASE | 0x400f0000 |
| SHA256_BASE | 0x400f8000 |
| POWMAN_BASE | 0x40100000 |
| TICKS_BASE | 0x40108000 |
| OTP_BASE | 0x40120000 |
| OTP_DATA_BASE | 0x40130000 |
| OTP_DATA_RAW_BASE | 0x40134000 |
| OTP_DATA_GUARDED_BASE | 0x40138000 |

| Bus Endpoint | Base Address |
|------------------------------|--------------|
| OTP_DATA_RAW_GUARDED_BASE | 0x4013c000 |
| CORESIGHT_PERIPH_BASE | 0x40140000 |
| CORESIGHT_ROMTABLE_BASE | 0x40140000 |
| CORESIGHT_AHB_AP_CORE0_BASE | 0x40142000 |
| CORESIGHT_AHB_AP_CORE1_BASE | 0x40144000 |
| CORESIGHT_TIMESTAMP_GEN_BASE | 0x40146000 |
| CORESIGHT_ATB_FUNNEL_BASE | 0x40147000 |
| CORESIGHT_TPIU_BASE | 0x40148000 |
| CORESIGHT_CTI_BASE | 0x40149000 |
| CORESIGHT_APB_AP_RISCV_BASE | 0x4014a000 |
| GLITCH_DETECTOR_BASE | 0x40158000 |
| TBMAN_BASE | 0x40160000 |

2.2.5. AHB registers

AHB peripheral registers are accessible to processor load/store and DMA only. Instruction fetch will always fail.

The AHB peripheral segment provides access to higher-bandwidth peripherals. The minimum read/write cost is one cycle, and peripherals may insert up to one wait state.

Table 14. Address map for AHB peripheral bus segment

| Bus Endpoint | Base Address |
|----------------------|--------------|
| DMA_BASE | 0x50000000 |
| USBCTRL_BASE | 0x50100000 |
| USBCTRL_DPRAM_BASE | 0x50100000 |
| USBCTRL_REGS_BASE | 0x50110000 |
| PIO0_BASE | 0x50200000 |
| PIO1_BASE | 0x50300000 |
| PIO2_BASE | 0x50400000 |
| XIP_AUX_BASE | 0x50500000 |
| HSTX_FIFO_BASE | 0x50600000 |
| CORESIGHT_TRACE_BASE | 0x50700000 |

2.2.6. Core-local peripherals (SIO)

SIO is accessible to processor load/store only. It contains registers which need single-cycle access from both cores concurrently, such as the GPIO registers. Access is always zero-wait-state.

Table 15. Address map for SIO bus segment

| Bus Endpoint | Base Address |
|-----------------|--------------|
| SIO_BASE | 0xd0000000 |
| SIO_NONSEC_BASE | 0xd0020000 |

2.2.7. Cortex-M33 private peripherals

The PPB is accessible to processor load/store only.

The PPB region contains standard control registers defined by Arm, Non-secure aliases of some of those registers, and a handful of other core-local registers defined by Raspberry Pi (the EPPB).

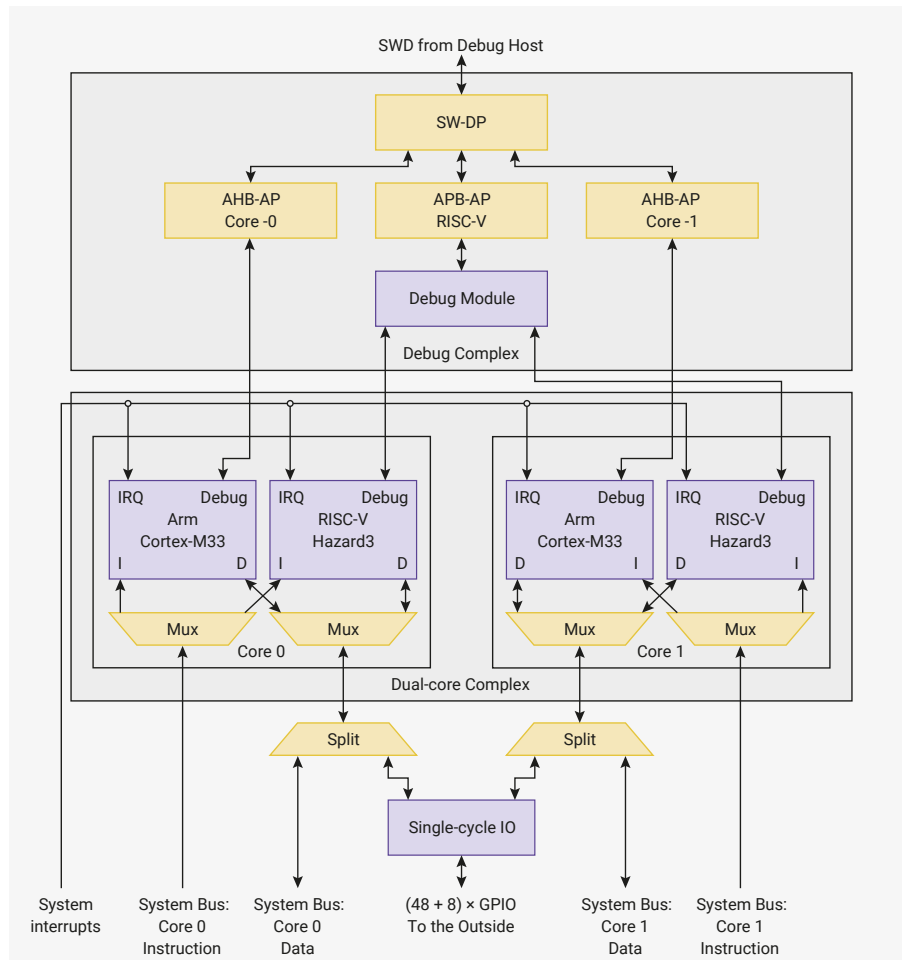
These addresses are only accessible to Arm processors: RISC-V processors will return a bus fault.

Table 16. Address map for PPB bus segment

| Bus Endpoint | Base Address |
|-----------------|--------------|
| PPB_BASE | 0xe0000000 |
| PPB_NONSEC_BASE | 0xe0020000 |
| EPPB_BASE | 0xe0080000 |

Chapter 3. Processor subsystem

Figure 6. The RP2350 processor subsystem connects two processors to the system bus, peripheral interrupts, GPIOs, and a Serial Wire Debug (SWD) connection from an external debug host. It also contains closely-coupled peripherals, and peripherals used for synchronisation and communication, which are collectively referred to as the single-cycle IO subsystem (SIO).



RP2350 is a symmetric dual-core system. Two cores operate simultaneously and independently, offering high processing throughput and the ability to route interrupts to different cores to improve throughput and latency of interrupt handling. The two cores have a symmetric view of the system bus; all memory resources on RP2350 are accessible equally on both cores, with the same performance.

Each core has a pair of 32-bit AHB5 links to the system bus. One is used exclusively for instruction fetch, the other exclusively for load or store instructions and debugger access. Each core can perform one instruction fetch *and* one load or store access per cycle, provided there are no conflicts on the downstream bus ports.

There are two sockets for cores to attach to the system bus, referred to as **core 0** and **core 1** throughout this datasheet. (They may synonymously be referred to as core0, core1, proc0 and proc1 in register documentation.) The processor plugged into each socket is selectable at boot time:

- A Cortex-M33 processor, implementing the Armv8-M Main instruction set, plus extensions
- A Hazard3 processor, implementing the RV32IMAC instruction set, plus extensions

Cortex-M33 is the default option. Whichever processor is unused is held in reset with its clock gated at the top level. Unused processors use zero dynamic power. See [Section 3.9](#) for information about the architecture selection hardware.

The two Cortex-M33 instances are identical. They are configured with the Security, DSP and FPU extensions, as well as 8x SAU regions, 8x Secure MPU regions and 8x Non-secure MPU regions. [Section 3.7](#) documents the Cortex-M33 processor as well as the specific configuration used on RP2350. The two Hazard3 instances are also identical to one another; see [Section 3.8](#) for the features and operation of the Hazard3 processors.

The Cortex-M33 implementation of the Armv8-M Security extension (also known as TrustZone-M) isolates trusted and untrusted software running on-device. RP2350 extends the strict partitioning of the Arm Secure and Non-secure states throughout the system, including the ability to assign peripherals, GPIOs and DMA channels to each security domain. See [Section 10.2](#) for a high-level overview of Armv8-M Security extension features in the context of the RP2350 security architecture.

Not shown on [Figure 6](#) are the coprocessors for the Cortex-M33. These are closely coupled to the core, offering a transfer rate of 64 bits per cycle in and out of the Arm register file. You may consider them to be inside the Cortex-M33 block on the diagram. RP2350 equips each Cortex-M33 with the following coprocessors:

- Coprocessor **0**: GPIO coprocessor (GPIOC), described in [Section 3.6.1](#)
- Coprocessors **4** and **5**: Secure and Non-secure instances of the double-precision coprocessor (DCP), described in [Section 3.6.2](#)
- Coprocessor **7**: redundancy coprocessor (RCP), described in [Section 3.6.3](#)

An external debug host can access both cores over a Serial Wire Debug (SWD) bus. The host can:

- run, halt and reset the cores
- inspect internal core state such as registers
- access memory from the core's point of view
- load code onto the device and run it

[Section 3.5](#) describes the debug hardware in addition to the instruction trace hardware available on the Arm processors.

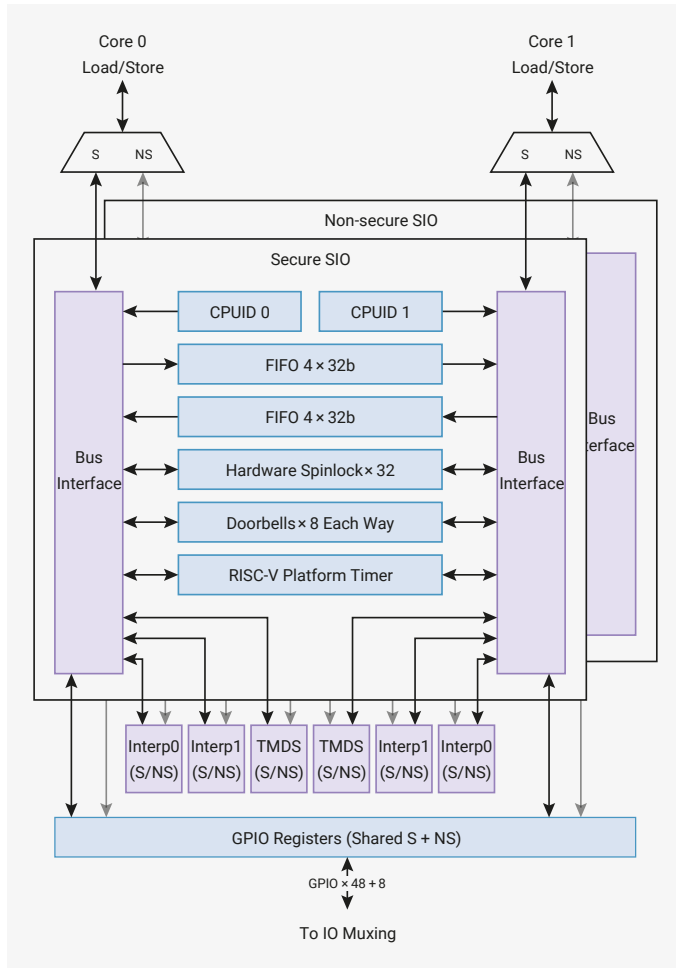
Peripherals throughout the system assert **interrupt requests** (IRQs) to demand attention from the processors. For example, a UART peripheral asserts its interrupt when it has received a character, so the processor can collect it from the receive FIFO. All interrupts route to both cores, and the core's internal interrupt controller selects the interrupt signals it wishes to subscribe to. [Section 3.2](#) defines the system-level IRQ numbering as well as details of the Arm non-maskable interrupt (NMI).

The event signals described in [Section 3.3](#) are a mechanism for processors to sleep when waiting for other processors in the system to complete a task or free up some resource. Each processor sees events emitted by the other processor. They also see exclusivity events generated by the Global Exclusive Monitor described in [Section 2.1.6](#), which is the piece of hardware that allows the processors to safely manipulate shared variables using atomic read-modify-write sequences.

3.1. SIO

The Single-cycle IO subsystem (SIO) contains peripherals that require low-latency, deterministic access from the processors. It is accessed via the AHB Fabric. The SIO has a dedicated bus interface for each processor, as shown in [Figure 7](#).

Figure 7. The single-cycle IO block contains registers which processors must access quickly. FIFOs, doorbells and spinlocks support message passing and synchronisation between the two cores. The shared GPIO registers provide fast, direct access to GPIO-capable pins. Interpolators can accelerate common software tasks. Most SIO hardware is banked (duplicated) for Secure and Non-secure access. Grey arrows show bus connections for Non-secure access.



The SIO contains:

- CPUID registers which read as 0/1 on core 0/1 (Section 3.1.2)
- Mailbox FIFOs for passing ordered messages between cores (Section 3.1.5)
- Doorbells for interrupting the opposite core on cumulative and unordered events (Section 3.1.6)
- Hardware spinlocks for implementing critical sections without using exclusive bus accesses (Section 3.1.4)
- Interpolators (Section 3.1.10) and TMDS encoders (Section 3.1.9)
- Standard RISC-V 64-bit platform timer (Section 3.1.8) which is usable by both Arm and RISC-V software
- GPIO registers for fast software bitbanging (Section 3.1.3), with shared access from both cores

Most SIO hardware is duplicated for Secure/Non-secure access. Non-secure access to the FIFO registers will see a physically different FIFO than Secure access to the same address, so that messages belonging to Secure and Non-secure software are not mixed: Section 3.1.1 describes this Secure/Non-secure banking in more detail.

3.1.1. Secure and Non-secure SIO

To allow isolation of Secure and Non-secure software, whilst keeping a consistent programming model for software written to run in either domain, the SIO is duplicated into a Secure and a Non-secure bank. Most hardware is duplicated between the two banks, including:

- Mailbox FIFOs
- Doorbell registers

- Interrupt outputs to processors
- Spinlocks

For example, Non-secure code on core 0 can pass messages to Non-secure code on core 1 through the Non-secure instance of the mailbox FIFO. In turn, this message will generate a Non-secure interrupt, which is separate from the Secure FIFO interrupt line. This does not interfere with any Secure message passing that might be going on at the same time, and Non-secure code can not snoop Secure messages because it does not have access to the Secure mailboxes. The software running in the Secure and Non-secure domain can be identical, and the processors' bus accesses to the SIO will automatically be routed to the Secure or Non-secure version of the mailbox registers.

The following hardware is *not* duplicated:

- The GPIO registers are shared, and Non-secure accesses are filtered on a per-GPIO basis by the Non-secure GPIO mask defined in the ACCESSCTRL [GPIO_NSMASK0](#) and [GPIO_NSMASK1](#) registers
- The RISC-V standard platform timer ([MTIME](#), [MTIMEH](#)), which is also usable by Arm processors, is present only in the Secure SIO, as it is a Machine-mode peripheral on RISC-V
- The interpolator and TMDS encoder peripherals are assignable to either the Secure or Non-secure SIO using the [PERL_NONSEC](#) register

Accesses to the SIO register address range, starting at [0xd0000000](#) ([SIO_BASE](#)), are mapped to the SIO bank which matches the security attribute of the bus access. This means accesses from the Arm Secure state, or RISC-V Machine mode, will access the Secure SIO bank, and accesses from the Arm Non-secure state, or RISC-V User mode, will access the Non-secure SIO bank.

Additionally, Secure accesses can use the mirrored address range starting at [0xd0020000](#) ([SIO_NONSEC_BASE](#)) to access the Non-secure view of SIO, for example, using the Non-secure doorbells to interrupt Non-secure code running on the other core. Attempting to access this address range from Non-secure code will generate a bus fault.

i NOTE

The [0x20000](#) offset of the Secure-to-Non-secure mirror matches the PPB mirrors at [0xe0000000](#) ([PPB_BASE](#)) and [0xe0020000](#) ([PPB_NONSEC_BASE](#)), which function similarly.

i NOTE

Debug access is mapped to the Secure/Non-secure SIO using the security attribute of the debugger's bus access, which may differ from the security state that the core was halted in.

3.1.2. CPUID

The [CPUID](#) SIO register returns a value of 0 when read by core 0, and 1 when read by core 1. This helps software identify the core running the current application. The initial boot sequence also relies on this check: both cores start running simultaneously, core 1 goes into a deep sleep state, and core 0 continues the main boot sequence.

! IMPORTANT

Don't confuse the SIO [CPUID](#) register with the Cortex-M33 [CPUID](#) register on each processor's internal Private Peripheral Bus, which lists the processor's part number and version.

NOTE

Reading the [MHARTID](#) CSR on each Hazard3 core returns the same values as [CPUID](#): 0 on core 0, and 1 on core 1.

3.1.3. GPIO control

The SIO GPIO registers control GPIOs which have the SIO function selected (function 5). This function is supported on the following pins:

- All user GPIOs (GPIOs 0 through 29, or 0 through 47, depending on package option)
- QSPI pins
- USB DP/DM pins

All SIO GPIO control registers come in pairs. The lower-addressed register in each pair (for example, [GPIO_IN](#)) is connected to GPIOs 0 through 31, and the higher-addressed register in each pair (for example, [GPIO_HI_IN](#)) is connected to GPIOs 32 through 47, the QSPI pins, and the USB DP/DM pins.

NOTE

To drive a pin with the SIO's GPIO registers, the GPIO multiplexer for this pin must first be configured to select the SIO GPIO function. See [Table 646](#).

These GPIO registers are *shared* between the two cores: both cores can access them simultaneously. There are three groups of registers:

- Output registers, [GPIO_OUT](#) and [GPIO_HI_OUT](#) set the output level of the GPIO. 0 for low output, 1 for high output.
- Output enable registers, [GPIO_OE](#) and [GPIO_HI_OE](#), are used to enable the output driver. 0 for high-impedance, 1 for drive high or low based on [GPIO_OUT](#) and [GPIO_HI_OUT](#).
- Input registers, [GPIO_IN](#) and [GPIO_HI_IN](#), allow the processor to sample the current state of the GPIOs.

Reading [GPIO_IN](#) returns up to 32 input values in a single read, and software then masks out individual pins it is interested in.

SDK: https://github.com/raspberrypi/pico-sdk/blob/master/src/rp2_common/hardware_gpio/include/hardware/gpio.h Lines 869 - 879

```
869 static inline bool gpio_get(uint gpio) {
870 #ifdef NUM_BANK0_GPIOS <= 32
871     return sio_hw->gpio_in & (1u << gpio);
872 #else
873     if (gpio < 32) {
874         return sio_hw->gpio_in & (1u << gpio);
875     } else {
876         return sio_hw->gpio_hi_in & (1u << (gpio - 32));
877     }
878 #endif
879 }
```

The **OUT** and **OE** registers also have atomic **SET**, **CLR**, and **XOR** aliases. This allows software to update a subset of the pins in one operation. This ensures safety for concurrent GPIO access, both between the two cores and between a single core's interrupt handler and foreground code.

SDK: https://github.com/raspberrypi/pico-sdk/blob/master/src/rp2_common/hardware_gpio/include/hardware/gpio.h Lines 918 - 924

```
918 static inline void gpio_set_mask(uint32_t mask) {
919 #ifdef PICO_USE_GPIO_COPROCESSOR
920     gpioc_lo_out_set(mask);
```



```

921 #else
922     sio_hw->gpio_set = mask;
923 #endif
924 }

```

SDK: https://github.com/raspberrypi/pico-sdk/blob/master/src/rp2_common/hardware_gpio/include/hardware/gpio.h Lines 965 - 971

```

965 static inline void gpio_clr_mask(uint32_t mask) {
966 #ifdef PICO_USE_GPIO_COPROCESSOR
967     gpioc_lo_out_clr(mask);
968 #else
969     sio_hw->gpio_clr = mask;
970 #endif
971 }

```

SDK: https://github.com/raspberrypi/pico-sdk/blob/master/src/rp2_common/hardware_gpio/include/hardware/gpio.h Lines 1155 - 1180

```

1155 static inline void gpio_put(uint gpio, bool value) {
1156 #ifdef PICO_USE_GPIO_COPROCESSOR
1157     gpioc_bit_out_put(gpio, value);
1158 #elif NUM_BANK0_GPIOS <= 32
1159     uint32_t mask = 1ul << gpio;
1160     if (value)
1161         gpio_set_mask(mask);
1162     else
1163         gpio_clr_mask(mask);
1164 #else
1165     uint32_t mask = 1ul << (gpio & 0x1fu);
1166     if (gpio < 32) {
1167         if (value) {
1168             sio_hw->gpio_set = mask;
1169         } else {
1170             sio_hw->gpio_clr = mask;
1171         }
1172     } else {
1173         if (value) {
1174             sio_hw->gpio_hi_set = mask;
1175         } else {
1176             sio_hw->gpio_hi_clr = mask;
1177         }
1178     }
1179 #endif
1180 }

```

If both processors write to an **OUT** or **OE** register (or any of its **SET/CLR/XOR** aliases) on the same clock cycle, the result is as though core 0 wrote first, then core 1 wrote immediately afterward. For example, if core 0 SETs a bit and core 1 XORs it on the same clock cycle, the bit ends up with a value of 0.

i NOTE

This is a conceptual model for the result produced when two cores write to a GPIO register simultaneously. The register never contains the intermediate values at any point. In the previous example, if the pin is initially 0, and core 0 performs a **SET** while core 1 performs a **XOR**, the GPIO output remains low throughout the clock cycle.

As well as being shared between cores, the GPIO registers are also shared between security domains. The Secure and Non-secure SIO offer alternative views of the same GPIO registers, which are always mapped as GPIO function 5. However, the Non-secure SIO can only access pins which are enabled in the GPIO Non-secure mask configured by the ACCESSCTRL registers [GPIO_NSMASK0](#) and [GPIO_NSMASK1](#). The layout of the NSMASK registers matches the layout of the SIO registers – for example, [QSPI_SCK](#) is bit 26 in both [GPIO_HI_IN](#) and [GPIO_NSMASK1](#).

When a pin is not enabled in Non-secure code:

- Writes to the corresponding GPIO registers from a Non-secure context have no effect.
- Reads from a Non-secure context return zeroes.
- Reads and writes from a Secure context function as usual using the Secure bank.

The GPIO coprocessor port ([Section 3.6.1](#)) provides dedicated instructions for accessing the SIO GPIO registers from the Cortex-M33 processors. This includes the ability to read and write 64 bits in a single operation.

3.1.4. Hardware spinlocks

The SIO provides 32 hardware spinlocks, which can be used to manage mutually-exclusive access to shared software resources. Each spinlock is a one-bit flag, mapped to a different address (from [SPINLOCK0](#) to [SPINLOCK31](#)). Software interacts with each spinlock with one of the following operations:

- Read: Attempt to claim the lock. Read value is non-zero if the lock was successfully claimed, or zero if the lock had already been claimed by a previous read.
- Write (any value): Release the lock. The next attempt to claim the lock will succeed.

If both cores try to claim the same lock on the same clock cycle, core 0 succeeds.

Generally software will acquire a lock by repeatedly polling the lock bit ("spinning" on the lock) until it is successfully claimed. This is inefficient if the lock is held for long periods, so generally the spinlocks should be used to protect short critical sections of higher-level primitives such as mutexes, semaphores and queues.

For debugging purposes, the current state of all 32 spinlocks can be observed via [SPINLOCK_ST](#).

i NOTE

RP2350 has separate spinlocks for Secure and Non-secure SIO banks because sharing these registers would allow Non-secure code to deliberately starve Secure code that attempts to acquire a lock. See [Section 3.1.1](#).

i NOTE

The processors on RP2350 support standard atomic/exclusive access instructions which, in concert with the global exclusive monitor ([Section 2.1.6](#)), allow both cores to safely share variables in SRAM. The SIO spinlocks are still included for compatibility with RP2040.

i NOTE

Due to [RP2350-E2](#), writes to new SIO registers above an offset of `+0x180` alias the spinlocks, causing spurious lock releases. The SDK by default uses atomic memory accesses to implement the `hardware_sync_spin_lock` API, as a workaround on RP2350 A2.

3.1.5. Inter-processor FIFOs (Mailboxes)

The SIO contains two FIFOs for passing data, messages or ordered events between the two cores. Each FIFO is 32 bits wide and four entries deep. One of the FIFOs can only be written by core 0 and read by core 1. The other can only be written by core 1 and read by core 0.

Each core writes to its outgoing FIFO by writing to `FIFO_WR` and reads from its incoming FIFO by reading from `FIFO_RD`. A status register, `FIFO_ST`, provides the following status signals:

- Incoming FIFO contains data (`VLD`).
- Outgoing FIFO has room for more data (`RDY`).
- The incoming FIFO was read from while empty at some point in the past (`ROE`).
- The outgoing FIFO was written to while full at some point in the past (`WOF`).

Writing to the outgoing FIFO while full, or reading from the incoming FIFO while empty, does not affect the FIFO state. The current contents and level of the FIFO is preserved. However, this does represent some loss of data or reception of invalid data by the software accessing the FIFO, so a sticky error flag is raised (`ROE` or `WOF`).

The SIO has a FIFO IRQ output for each core to notify the core that it has received FIFO data. This is a *core-local interrupt*, mapped to the same IRQ number on each core (`SIO_IRQ_FIFO`, interrupt number 25). Non-secure FIFO interrupts use a separate interrupt line, (`SIO_IRQ_FIFO_NS`, interrupt number 27). It is not possible to interrupt on the opposite core's FIFO.

Each IRQ output is the logical OR of the `VLD`, `ROE` and `WOF` bits in that core's `FIFO_ST` register: that is, the IRQ is asserted if any of these three bits is high, and clears again when they are all low. To clear the `ROE` and `WOF` flags, write any value to `FIFO_ST`. To clear the `VLD` flag, read data from the FIFO until it is empty.

If the corresponding interrupt line is enabled in the processor's interrupt controller, the processor takes an interrupt each time data appears in its FIFO, or if it has performed some invalid FIFO operation (read on empty, write on full).

i NOTE

`ROE` and `WOF` only become set if software misbehaves in some way. Generally, the interrupt handler triggers when data appears in the FIFO, raising the `VLD` flag. Then, the interrupt handler clears the IRQ by reading data from the FIFO until `VLD` goes low once more.

The inter-processor FIFOs and the Event signals are used by the bootrom ([Chapter 5](#)) `wait_for_vector` routine, where core 1 remains in a sleep state until it is woken, and provided with its initial stack pointer, entry point and vector table through the FIFO.

i NOTE

RP2350 has separate FIFOs and interrupts for Secure and Non-secure SIO banks. See [Section 3.1.1](#)

3.1.6. Doorbells

The doorbell registers raise an interrupt on the opposite core. There are 8 doorbell flags in each direction, combined into a single doorbell interrupt per core. This is a core-local interrupt: the same interrupt number on each core (`SIO_IRQ_BELL`, interrupt number 26) notifies that core of incoming doorbell interrupts.

Whereas the mailbox FIFOs are used for cross-core events whose count and order is important, doorbells are used for events which are accumulative (i.e. may post multiple times, but only answered once) and which can be responded to in any order.

Writing a non-zero value to the `DOORBELL_OUT_SET` register raises the opposite core's doorbell interrupt. The interrupt remains raised until all bits are cleared. Generally, the opposite core enters its doorbell interrupt handler, reads its `DOORBELL_IN_CLR` register to get the mask of active doorbell flags, and then writes back to acknowledge and clear the interrupt.

The `DOORBELL_IN_SET` register allows a processor to ring its own doorbell. This is useful when the routine which rings a doorbell can be scheduled on either core. Likewise, for symmetry, a processor can clear the opposite core's doorbell flags using the `DOORBELL_OUT_CLR` register: this is useful for setup code, but should be avoided in general because of the potential for race conditions when acknowledging interrupts meant for the opposite core.

At any time, a core can read back its `DOORBELL_OUT_SET` or `DOORBELL_OUT_CLR` register (they return the same result) to see the status of doorbell interrupts posted to the opposite core. Likewise, reading either `DOORBELL_IN_SET` or `DOORBELL_IN_CLR` returns the status of doorbell interrupts posted to this core.

i NOTE

RP2350 has separate per-core doorbell interrupt signals and doorbell registers for Secure and Non-secure SIO banks. Non-secure doorbells are posted on `SIO_IRQ_BELL_NS`, interrupt number 28. See [Section 3.1.1](#).

3.1.7. Integer divider

RP2040's memory-mapped integer divider peripheral is not present on RP2350, since the processors support divide instructions. The address space previously allocated for the divider registers is now reserved.

3.1.8. RISC-V platform timer

This 64-bit timer is a standard peripheral described in the RISC-V privileged specification, usable equally by the Arm and RISC-V processors on RP2350. It drives the per-core `SIO_IRQ_MTIMECMP` system-level interrupt ([Section 3.2](#)), as well as the `mip.mtip` timer interrupt on the RISC-V processors.

There is a single 64-bit counter, shared between both cores. The low and high half can be accessed through the `MTIME` and `MTIMEH` SIO registers. Use the following procedure to safely read the 64-bit time using 32-bit register accesses:

1. Read the upper half, `MTIMEH`.
2. Read the lower half, `MTIME`.
3. Read the upper half again.
4. Loop if the two upper-half reads returned different values.

This is similar to the procedure for reading RP2350 system timers ([Section 12.8](#)). The loop should only happen once, when the timer is read at exactly the instant of a 32-bit rollover, and even this is only occasional. If you require constant-time operation, you can instead zero the lower half when the two upper-half reads differ.

Timer interrupts are generated based on a per-core 64-bit time comparison value, accessed through the `MTIMECMP` and `MTIMECMPH` SIO registers. Each core gets its own copy of these registers, accessed at the same address. The per-core interrupt is asserted whenever the current time indicated in the `MTIME` registers is greater than or equal to that core's `MTIMECMP`. Use the following sequence to write a new 64-bit timer comparison value without causing spurious interrupts:

1. Write all-ones to `MTIMECMP` (guaranteed greater than or equal to the old value, *and* the lower half of the target value).
2. Write the upper half of the target value to `MTIMECMPH` (combined 64-bit value is still greater than or equal to the target value).

3. Write the lower half of the target value to [MTIMECMP](#).

The RISC-V timer can count either ticks from the system-level tick generator ([Section 8.5](#)), or system clock cycles, selected by the [MTIME_CTRL](#) register. Use a 1 microsecond time base for compatibility with most RISC-V software.

3.1.9. TMDS encoder

Each core is equipped with an implementation of the TMDS encode algorithm described in chapter 3 of the DVI 1.0 specification. In general, the HSTX peripheral ([Section 12.11](#)) supports lower processor overhead for DVI-D output as well as a wider range of pixel formats, but the SIO TMDS encoders are included for use with non-HSTX-capable GPIOs.

The [TMDS_CTRL](#) register allows configuration of a number of input pixel formats, from 16-bit RGB down to 1-bit monochrome. Once the encoder has been set up, the processor writes 32 bits of colour data at a time to [TMDS_WDATA](#), and then reads TMDS data symbols from the output registers. Depending on the pixel format, there may be multiple TMDS symbols read for each write to [TMDS_WDATA](#). There are no stalls: encoding is limited entirely by the processor's load/store bandwidth, up to one 32-bit read or write per cycle per core.

To allow for framebuffer/scanbuffer resolution lower than the display resolution, the output registers have both peek and pop aliases (e.g. [TMDS_PEEK_SINGLE](#) and [TMDS_POP_SINGLE](#)). Reading either register advances the encoder's DC balance counter, but only the pop alias shifts the colour data in [TMDS_WDATA](#) so that multiple correctly-DC-balanced TMDS symbols can be generated from the same input pixel.

The TMDS encoder peripherals are not duplicated over security domains. They are assigned to the Secure SIO at reset, and can be reassigned to the Non-secure SIO using the [PERL_NONSEC](#) register.

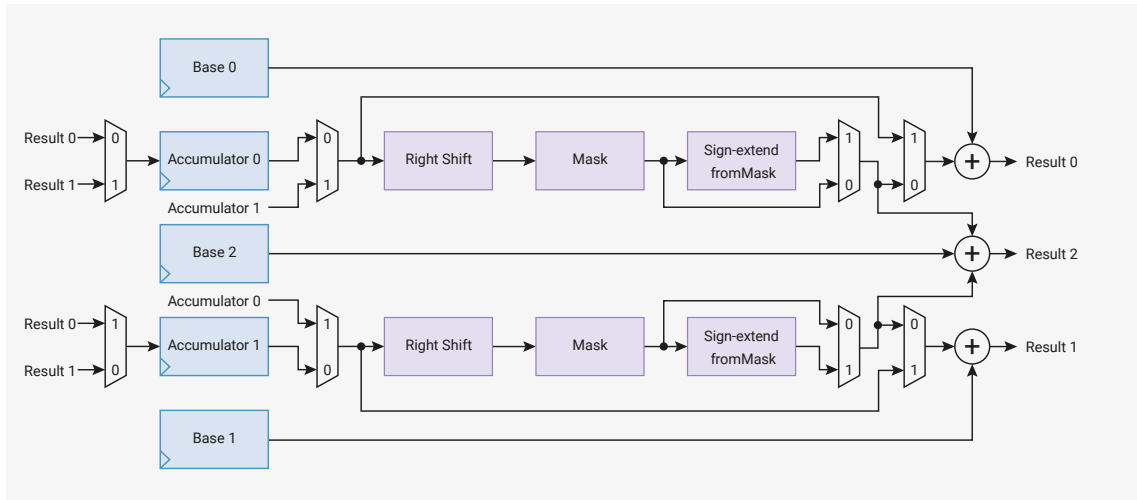
3.1.10. Interpolator

Each core is equipped with two *interpolators* ([INTERP0](#) and [INTERP1](#)) that can accelerate tasks by combining certain pre-configured operations into a single processor cycle. Intended for cases where the pre-configured operation repeats many times, interpolators result in code which uses both fewer CPU cycles and fewer CPU registers in time-critical sections.

The interpolators already accelerate audio operations within the SDK. Their flexible configuration makes it possible to optimise many other tasks, including:

- quantization
- dithering
- table lookup address generation
- affine texture mapping
- decompression
- linear feedback

Figure 8. An interpolator. The two accumulator registers and three base registers have single-cycle read/write access from the processor. The interpolator is organised into two lanes, which perform masking, shifting and sign-extension operations on the two accumulators. This produces three possible results, by adding the intermediate shift/mask values to the three base registers. From left to right, the multiplexers on each lane are controlled by the following flags in the CTRL registers: **CROSS_RESULT**, **CROSS_INPUT**, **SIGNED**, and **ADD_RAW**.



The processor can write or read any interpolator register in one cycle, and the results are ready on the next cycle. The processor can also perform an addition on one of the two accumulators **ACCUM0** or **ACCUM1** by writing to the corresponding **ACCUMx_ADD** register.

The three results are available in the read-only locations **PEEK0**, **PEEK1**, **PEEK2**. Reading from these locations does not change the state of the interpolator. The results are also aliased at the locations **POP0**, **POP1**, **POP2**; reading from a **POPx** alias returns the same result as the corresponding **PEEKx**, and simultaneously writes back the lane results to the accumulators. Use the **POPx** aliases to advance the state of interpolator each time a result is read.

You can adjust interpolator behaviour with the following operational modes:

- fractional blending between two values
- *clamping* values to restrict them within a given range.

The following example shows a trivial example of *popping* a lane result to produce simple iterative feedback.

Pico Examples: https://github.com/raspberrypi/pico-examples/blob/master/interp/hello_interp/hello_interp.c Lines 11 - 23

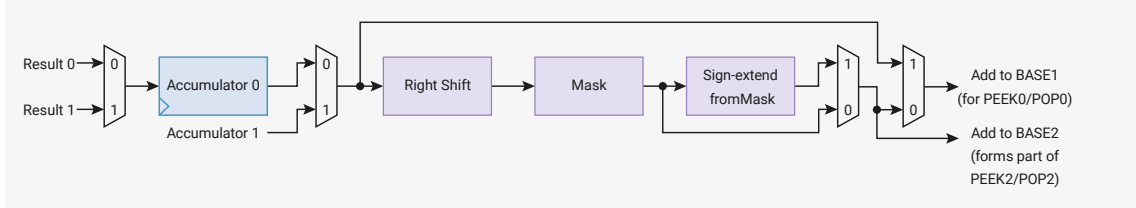
```

11 void times_table() {
12     puts("9 times table:");
13
14     // Initialise lane 0 on interp0 on this core
15     interp_config cfg = interp_default_config();
16     interp_set_config(interp0, 0, &cfg);
17
18     interp0->accum[0] = 0;
19     interp0->base[0] = 9;
20
21     for (int i = 0; i < 10; ++i)
22         printf("%d\n", interp0->pop[0]);
23 }

```

3.1.10.1. Lane operations

Figure 9. Each lane of each interpolator can be configured to perform mask, shift and sign-extension on one of the accumulators. This is fed into adders which produce final results, which may optionally be fed back into the accumulators with each read. The datapath can be configured using a handful of 32-bit multiplexers. From left to right, these are controlled by the following CTRL flags: CROSS_RESULT, CROSS_INPUT, SIGNED, and ADD_RAW.



Each lane performs these three operations, in sequence:

- A right shift by CTRL_LANE_x_SHIFT (0 to 31 bits)
- A mask of bits from CTRL_LANE_x_MASK_LSB to CTRL_LANE_x_MASK_MSB inclusive (each ranging from bit 0 to bit 31)
- A sign extension from the top of the mask, i.e. take bit CTRL_LANE_x_MASK_MSB and OR it into all more-significant bits, if CTRL_LANE_x_SIGNED is set

For example, if:

- ACCUM0 = 0xdeadbeef
- CTRL_LANE0_SHIFT = 8
- CTRL_LANE0_MASK_LSB = 4
- CTRL_LANE0_MASK_MSB = 7
- CTRL_SIGNED = 1

Then lane 0 would produce the following results at each stage:

- Right shift by 8 to produce 0x00deadbe
- Mask bits 7 to 4 to produce 0x00deadbe & 0x000000f0 = 0x000000b0
- Sign-extend up from bit 7 to produce 0xfffffb0

In software:

Pico Examples: https://github.com/raspberrypi/pico-examples/blob/master/interp/hello_interp/hello_interp.c Lines 25 - 46

```

25 void moving_mask() {
26     interp_config cfg = interp_default_config();
27     interp0->accum[0] = 0x1234abcd;
28
29     puts("Masking:");
30     printf("ACCUM0 = %08x\n", interp0->accum[0]);
31     for (int i = 0; i < 8; ++i) {
32         // LSB, then MSB. These are inclusive, so 0,31 means "the entire 32 bit register"
33         interp_config_set_mask(&cfg, i * 4, i * 4 + 3);
34         interp_set_config(interp0, 0, &cfg);
35         // Reading from ACCUMx_ADD returns the raw lane shift and mask value, without BASEx
36         // added
37         printf("Nibble %d: %08x\n", i, interp0->add_raw[0]);
38     }
39
40     puts("Masking with sign extension:");
41     interp_config_set_signed(&cfg, true);
42     for (int i = 0; i < 8; ++i) {
43         interp_config_set_mask(&cfg, i * 4, i * 4 + 3);
44         interp_set_config(interp0, 0, &cfg);
45         printf("Nibble %d: %08x\n", i, interp0->add_raw[0]);
46     }
47 }

```

The above example should print the following:

```

ACCUM0 = 1234abcd
Nibble 0: 0000000d
Nibble 1: 000000c0
Nibble 2: 00000b00
Nibble 3: 0000a000
Nibble 4: 00040000
Nibble 5: 00300000
Nibble 6: 02000000
Nibble 7: 10000000
Masking with sign extension:
Nibble 0: ffffffff
Nibble 1: ffffffc0
Nibble 2: fffffb00
Nibble 3: fffa0000
Nibble 4: 00040000
Nibble 5: 00300000
Nibble 6: 02000000
Nibble 7: 10000000

```

Changing the result and input multiplexers can create feedback between the accumulators. This is useful for audio dithering.

Pico Examples: https://github.com/raspberrypi/pico-examples/blob/master/interp/hello_interp/hello_interp.c Lines 48 - 66

```

48 void cross_lanes() {
49     interp_config cfg = interp_default_config();
50     interp_config_set_cross_result(&cfg, true);
51     // ACCUM0 gets lane 1 result:
52     interp_set_config(interp0, 0, &cfg);
53     // ACCUM1 gets lane 0 result:
54     interp_set_config(interp0, 1, &cfg);
55
56     interp0->accum[0] = 123;
57     interp0->accum[1] = 456;
58     interp0->base[0] = 1;
59     interp0->base[1] = 0;
60     puts("Lane result crossover:");
61     for (int i = 0; i < 10; ++i) {
62         uint32_t peek0 = interp0->peek[0];
63         uint32_t pop1 = interp0->pop[1];
64         printf("PEEK0, POP1: %d, %d\n", peek0, pop1);
65     }
66 }

```

This should print the following :

```

PEEK0, POP1: 124, 456
PEEK0, POP1: 457, 124
PEEK0, POP1: 125, 457
PEEK0, POP1: 458, 125
PEEK0, POP1: 126, 458
PEEK0, POP1: 459, 126
PEEK0, POP1: 127, 459
PEEK0, POP1: 460, 127
PEEK0, POP1: 128, 460
PEEK0, POP1: 461, 128

```


3.1.10.2. Blend mode

Blend mode is available on `INTERP0` on each core, and is enabled by the `CTRL_LANE0_BLEND` control flag. It performs linear interpolation, which we define as follows:

$$x = x_0 + \alpha(x_1 - x_0), \text{ for } 0 \leq \alpha < 1$$

Where X_0 is the register `BASE0`, X_1 is the register `BASE1`, and α is a fractional value formed from the least significant 8 bits of the lane 1 shift and mask value.

Blend mode differs from normal mode in the following ways:

- `PEEK0`, `POP0` return the 8-bit alpha value (the 8 LSBs of the lane 1 shift and mask value), with zeroes in result bits 31 down to 24.
- `PEEK1`, `POP1` return the linear interpolation between `BASE0` and `BASE1`
- `PEEK2`, `POP2` do not include lane 1 result in the addition (i.e. it is `BASE2` + lane 0 shift and mask value)

The result of the linear interpolation is equal to `BASE0` when the alpha value is 0, and equal to `BASE0 + 255/256 * (BASE1 - BASE0)` when the alpha value is all-ones.

Pico Examples: https://github.com/raspberrypi/pico-examples/blob/master/interp/hello_interp/hello_interp.c Lines 68 - 87

```

68 void simple_blend1() {
69     puts("Simple blend 1:");
70
71     interp_config cfg = interp_default_config();
72     interp_config_set_blend(&cfg, true);
73     interp_set_config(interp0, 0, &cfg);
74
75     cfg = interp_default_config();
76     interp_set_config(interp0, 1, &cfg);
77
78     interp0->base[0] = 500;
79     interp0->base[1] = 1000;
80
81     for (int i = 0; i <= 6; i++) {
82         // set fraction to value between 0 and 255
83         interp0->accum[1] = 255 * i / 6;
84         // ≈ 500 + (1000 - 500) * i / 6;
85         printf("%d\n", (int) interp0->peek[1]);
86     }
87 }

```

This should print the following (note the 255/256 resulting in 998 not 1000):

```

500
582
666
748
832
914
998

```

`CTRL_LANE1_SIGNED` controls whether `BASE0` and `BASE1` are sign-extended for this interpolation (this sign extension is required because the interpolation produces an intermediate product value 40 bits in size). `CTRL_LANE0_SIGNED` continues to control the sign extension of the lane 0 intermediate result in `PEEK2`, `POP2` as normal.

Pico Examples: https://github.com/raspberrypi/pico-examples/blob/master/interp/hello_interp/hello_interp.c Lines 90 - 121

```

90 void print_simple_blend2_results(bool is_signed) {
91     // Lane 1 signed flag controls whether base 0/1 are treated as signed or unsigned
92     interp_config cfg = interp_default_config();
93     interp_config_set_signed(&cfg, is_signed);
94     interp_set_config(interp0, 1, &cfg);
95
96     for (int i = 0; i <= 6; i++) {
97         interp0->accum[1] = 255 * i / 6;
98         if (is_signed) {
99             printf("%d\n", (int) interp0->peek[1]);
100        } else {
101            printf("0x%08x\n", (uint) interp0->peek[1]);
102        }
103    }
104 }
105
106 void simple_blend2() {
107     puts("Simple blend 2:");
108
109     interp_config cfg = interp_default_config();
110     interp_config_set_blend(&cfg, true);
111     interp_set_config(interp0, 0, &cfg);
112
113     interp0->base[0] = (uint32_t) -1000;
114     interp0->base[1] = 1000;
115
116     puts("signed:");
117     print_simple_blend2_results(true);
118
119     puts("unsigned:");
120     print_simple_blend2_results(false);
121 }

```

This should print the following:

```

signed:
-1000
-672
-336
-8
328
656
992
unsigned:
0xfffffc18
0xd5fffd60
0xaaffffeb0
0x80fffff8
0x56000148
0x2c000290
0x010003e0

```

Finally, in blend mode when using the `BASE_1AND0` register to send a 16-bit value to each of `BASE0` and `BASE1` with a single 32-bit write, the sign-extension of these 16-bit values to full 32-bit values during the write is controlled by `CTRL_LANE1_SIGNED` for both bases, as opposed to non-blend-mode operation, where `CTRL_LANE0_SIGNED` affects extension into `BASE0` and `CTRL_LANE1_SIGNED` affects extension into `BASE1`.

Pico Examples: https://github.com/raspberrypi/pico-examples/blob/master/interp/hello_interp/hello_interp.c Lines 124 - 145

```

124 void simple_blend3() {
125     puts("Simple blend 3:");
126
127     interp_config cfg = interp_default_config();
128     interp_config_set_blend(&cfg, true);
129     interp_set_config(interp0, 0, &cfg);
130
131     cfg = interp_default_config();
132     interp_set_config(interp0, 1, &cfg);
133
134     interp0->accum[1] = 128;
135     interp0->base01 = 0x30005000;
136     printf("0x%08x\n", (int) interp0->peek[1]);
137     interp0->base01 = 0xe000f000;
138     printf("0x%08x\n", (int) interp0->peek[1]);
139
140     interp_config_set_signed(&cfg, true);
141     interp_set_config(interp0, 1, &cfg);
142
143     interp0->base01 = 0xe000f000;
144     printf("0x%08x\n", (int) interp0->peek[1]);
145 }

```

This should print the following:

```

0x00004000
0x0000e800
0xffffe800

```

3.1.10.3. Clamp Mode

Clamp mode is available on `INTERP1` on each core. To enable clamp mode, set the `CTRL_LANE0_CLAMP` control flag to high. In clamp mode, the `PEEK0/POP0` result is the lane value (shifted, masked, sign-extended `ACCUM0`) clamped between `BASE0` and `BASE1`. In other words, if the lane value is less than `BASE0`, a value of `BASE0` is produced; if greater than `BASE1`, a value of `BASE1` is produced; otherwise, the value passes through. No addition is performed. The signedness of these comparisons is controlled by the `CTRL_LANE0_SIGNED` flag.

Other than this, the interpolator behaves the same as in normal mode.

Pico Examples: https://github.com/raspberrypi/pico-examples/blob/master/interp/hello_interp/hello_interp.c Lines 193 - 211

```

193 void clamp() {
194     puts("Clamp:");
195     interp_config cfg = interp_default_config();
196     interp_config_set_clamp(&cfg, true);
197     interp_config_set_shift(&cfg, 2);
198     // set mask according to new position of sign bit..
199     interp_config_set_mask(&cfg, 0, 29);
200     // ...so that the shifted value is correctly sign extended
201     interp_config_set_signed(&cfg, true);
202     interp_set_config(interp1, 0, &cfg);
203
204     interp1->base[0] = 0;
205     interp1->base[1] = 255;
206
207     for (int i = -1024; i <= 1024; i += 256) {

```

```

208     interp1->accum[0] = i;
209     printf("%d\t%d\n", i, (int) interp1->peek[0]);
210 }
211 }

```

This should print the following:

```

-1024  0
-768   0
-512   0
-256   0
0       0
256    64
512    128
768    192
1024   255

```

3.1.10.4. Sample use case: linear interpolation

Linear interpolation combines blend mode with other interpolator functionality. In this example, `ACCUM0` tracks a fixed-point (integer/fraction) position within a list of values to be interpolated. Lane 0 is used to produce an address into the value array for the integer part of the position. The fractional part of the position is shifted to produce a value from 0-255 for the blend. The blend is performed between two consecutive values in the array.

Finally the fractional position is updated via a single write to `ACCUM0_ADD_RAW`.

Pico Examples: https://github.com/raspberrypi/pico-examples/blob/master/interp/hello_interp/hello_interp.c Lines 147 - 191

```

147 void linear_interpolation() {
148     puts("Linear interpolation:");
149     const int uv_fractional_bits = 12;
150
151     // for lane 0
152     // shift and mask XXXX XXXX XXXX XXXX XXXX FFFF FFFF FFFF (accum 0)
153     // to           0000 0000 000X XXXX XXXX XXXX XXXX XXX0
154     // i.e. non fractional part times 2 (for uint16_t)
155     interp_config cfg = interp_default_config();
156     interp_config_set_shift(&cfg, uv_fractional_bits - 1);
157     interp_config_set_mask(&cfg, 1, 32 - uv_fractional_bits);
158     interp_config_set_blend(&cfg, true);
159     interp_set_config(interp0, 0, &cfg);
160
161     // for lane 1
162     // shift XXXX XXXX XXXX XXXX XXXX FFFF FFFF FFFF (accum 0 via cross input)
163     // to           0000 XXXX XXXX XXXX XXXX FFFF FFFF FFFF
164
165     cfg = interp_default_config();
166     interp_config_set_shift(&cfg, uv_fractional_bits - 8);
167     interp_config_set_signed(&cfg, true);
168     interp_config_set_cross_input(&cfg, true); // signed blending
169     interp_set_config(interp0, 1, &cfg);
170
171     int16_t samples[] = {0, 10, -20, -1000, 500};
172
173     // step is 1/4 in our fractional representation
174     uint step = (1 << uv_fractional_bits) / 4;
175
176     interp0->accum[0] = 0; // initial sample_offset;

```

```

177     interp0->base[2] = (uintptr_t) samples;
178     for (int i = 0; i < 16; i++) {
179         // result2 = samples + (lane0 raw result)
180         // i.e. ptr to the first of two samples to blend between
181         int16_t *sample_pair = (int16_t *) interp0->peek[2];
182         interp0->base[0] = sample_pair[0];
183         interp0->base[1] = sample_pair[1];
184         uint32_t peek1 = interp0->peek[1];
185         uint32_t add_raw1 = interp0->add_raw[1];
186         printf("%d\t(%d%% between %d and %d)\n", (int) peek1,
187             100 * (add_raw1 & 0xff) / 0xff,
188             sample_pair[0], sample_pair[1]);
189         interp0->add_raw[0] = step;
190     }
191 }

```

This should print the following:

```

0      (0% between 0 and 10)
2      (25% between 0 and 10)
5      (50% between 0 and 10)
7      (75% between 0 and 10)
10     (0% between 10 and -20)
2      (25% between 10 and -20)
-5     (50% between 10 and -20)
-13    (75% between 10 and -20)
-20    (0% between -20 and -1000)
-265   (25% between -20 and -1000)
-510   (50% between -20 and -1000)
-755   (75% between -20 and -1000)
-1000  (0% between -1000 and 500)
-625   (25% between -1000 and 500)
-250   (50% between -1000 and 500)
125    (75% between -1000 and 500)

```

This method is used for fast approximate audio upscaling in the SDK.

3.1.10.5. Sample use case: simple affine texture mapping

Simple affine texture mapping can be implemented by using fixed-point arithmetic for texture coordinates, and stepping a fixed amount in each coordinate for every pixel in a scanline. The integer parts of the texture coordinates form an address into the texture. Reading from `POP2` adds the offset to the texture base pointer. The processor loads the resulting address to sample a pixel colour from the texture.

By using two lanes, all three base values, and the `CTRL_LANEx_ADD_RAW` flag, you can use the interpolator to reduce an expensive CPU operation to a single cycle iteration.

Pico Examples: https://github.com/raspberrypi/pico-examples/blob/master/interp/hello_interp/hello_interp.c Lines 214 - 272

```

214 void texture_mapping_setup(uint8_t *texture, uint texture_width_bits, uint
      texture_height_bits,
215                             uint uv_fractional_bits) {
216     interp_config cfg = interp_default_config();
217     // set add_raw flag to use raw (un-shifted and un-masked) lane accumulator value when
      adding
218     // it to the lane base to make the lane result
219     interp_config_set_add_raw(&cfg, true);
220     interp_config_set_shift(&cfg, uv_fractional_bits);

```

```

221     interp_config_set_mask(&cfg, 0, texture_width_bits - 1);
222     interp_set_config(interp0, 0, &cfg);
223
224     interp_config_set_shift(&cfg, uv_fractional_bits - texture_width_bits);
225     interp_config_set_mask(&cfg, texture_width_bits, texture_width_bits +
texture_height_bits - 1);
226     interp_set_config(interp0, 1, &cfg);
227
228     interp0->base[2] = (uintptr_t) texture;
229 }
230
231 void texture_mapped_span(uint8_t *output, uint32_t u, uint32_t v, uint32_t du, uint32_t dv,
uint count) {
232     // u, v are texture coordinates in fixed point with uv_fractional_bits fractional bits
233     // du, dv are texture coordinate steps across the span in same fixed point.
234     interp0->accum[0] = u;
235     interp0->base[0] = du;
236     interp0->accum[1] = v;
237     interp0->base[1] = dv;
238     for (uint i = 0; i < count; i++) {
239         // equivalent to
240         // uint32_t sm_result0 = (accum0 >> uv_fractional_bits) & (1 << (texture_width_bits -
1);
241         // uint32_t sm_result1 = (accum1 >> uv_fractional_bits) & (1 << (texture_height_bits -
1);
242         // uint8_t *address = texture + sm_result0 + (sm_result1 << texture_width_bits);
243         // output[i] = *address;
244         // accum0 = du + accum0;
245         // accum1 = dv + accum1;
246
247         // result2 is the texture address for the current pixel;
248         // popping the result advances to the next iteration
249         output[i] = *(uint8_t *) interp0->pop[2];
250     }
251 }
252
253 void texture_mapping() {
254     puts("Affine Texture mapping (with texture wrap):");
255
256     uint8_t texture[] = {
257         0x00, 0x01, 0x02, 0x03,
258         0x10, 0x11, 0x12, 0x13,
259         0x20, 0x21, 0x22, 0x23,
260         0x30, 0x31, 0x32, 0x33,
261     };
262     // 4x4 texture
263     texture_mapping_setup(texture, 2, 2, 16);
264     uint8_t output[12];
265     uint32_t du = 65536 / 2; // step of 1/2
266     uint32_t dv = 65536 / 3; // step of 1/3
267     texture_mapped_span(output, 0, 0, du, dv, 12);
268
269     for (uint i = 0; i < 12; i++) {
270         printf("0x%02x\n", output[i]);
271     }
272 }

```

This should print the following:

| |
|------|
| 0x00 |
| 0x00 |
| 0x01 |
| 0x01 |
| 0x12 |
| 0x12 |
| 0x13 |
| 0x23 |
| 0x20 |
| 0x20 |
| 0x31 |
| 0x31 |

3.1.11. List of registers

The SIO registers start at a base address of `0xd0000000` (defined as `SIO_BASE` in SDK).

Table 17. List of SIO registers

| Offset | Name | Info |
|--------|---------------------------------|---|
| 0x000 | CPUID | Processor core identifier |
| 0x004 | GPIO_IN | Input value for GPIO0...31. In the Non-secure SIO, Secure-only GPIOs (as per ACCESSCTRL) appear as zero. |
| 0x008 | GPIO_HI_IN | Input value on GPIO32...47, QSPI IOs and USB pins In the Non-secure SIO, Secure-only GPIOs (as per ACCESSCTRL) appear as zero. |
| 0x010 | GPIO_OUT | GPIO0...31 output value |
| 0x014 | GPIO_HI_OUT | Output value for GPIO32...47, QSPI IOs and USB pins. Write to set output level (1/0 → high/low). Reading back gives the last value written, NOT the input value from the pins. If core 0 and core 1 both write to GPIO_HI_OUT simultaneously (or to a SET/CLR/XOR alias), the result is as though the write from core 0 took place first, and the write from core 1 was then applied to that intermediate result. In the Non-secure SIO, Secure-only GPIOs (as per ACCESSCTRL) ignore writes, and their output status reads back as zero. This is also true for SET/CLR/XOR aliases of this register. |
| 0x018 | GPIO_OUT_SET | GPIO0...31 output value set |
| 0x01c | GPIO_HI_OUT_SET | Output value set for GPIO32..47, QSPI IOs and USB pins. Perform an atomic bit-set on GPIO_HI_OUT, i.e. <code>GPIO_HI_OUT = wdata</code> |
| 0x020 | GPIO_OUT_CLR | GPIO0...31 output value clear |
| 0x024 | GPIO_HI_OUT_CLR | Output value clear for GPIO32..47, QSPI IOs and USB pins. Perform an atomic bit-clear on GPIO_HI_OUT, i.e. <code>GPIO_HI_OUT &= ~wdata</code> |
| 0x028 | GPIO_OUT_XOR | GPIO0...31 output value XOR |

| Offset | Name | Info |
|--------|------------------------------------|--|
| 0x02c | GPIO_HI_OUT_XOR | Output value XOR for GPIO32..47, QSPI IOs and USB pins. Perform an atomic bitwise XOR on GPIO_HI_OUT, i.e. <code>GPIO_HI_OUT ^= wdata</code> |
| 0x030 | GPIO_OE | GPIO0...31 output enable |
| 0x034 | GPIO_HI_OE | Output enable value for GPIO32...47, QSPI IOs and USB pins. Write output enable (1/0 → output/input). Reading back gives the last value written. If core 0 and core 1 both write to GPIO_HI_OE simultaneously (or to a SET/CLR/XOR alias), the result is as though the write from core 0 took place first, and the write from core 1 was then applied to that intermediate result. In the Non-secure SIO, Secure-only GPIOs (as per ACCESSCTRL) ignore writes, and their output status reads back as zero. This is also true for SET/CLR/XOR aliases of this register. |
| 0x038 | GPIO_OE_SET | GPIO0...31 output enable set |
| 0x03c | GPIO_HI_OE_SET | Output enable set for GPIO32...47, QSPI IOs and USB pins. Perform an atomic bit-set on GPIO_HI_OE, i.e. <code>GPIO_HI_OE = wdata</code> |
| 0x040 | GPIO_OE_CLR | GPIO0...31 output enable clear |
| 0x044 | GPIO_HI_OE_CLR | Output enable clear for GPIO32...47, QSPI IOs and USB pins. Perform an atomic bit-clear on GPIO_HI_OE, i.e. <code>GPIO_HI_OE &= ~wdata</code> |
| 0x048 | GPIO_OE_XOR | GPIO0...31 output enable XOR |
| 0x04c | GPIO_HI_OE_XOR | Output enable XOR for GPIO32...47, QSPI IOs and USB pins. Perform an atomic bitwise XOR on GPIO_HI_OE, i.e. <code>GPIO_HI_OE ^= wdata</code> |
| 0x050 | FIFO_ST | Status register for inter-core FIFOs (mailboxes). |
| 0x054 | FIFO_WR | Write access to this core's TX FIFO |
| 0x058 | FIFO_RD | Read access to this core's RX FIFO |
| 0x05c | SPINLOCK_ST | Spinlock state |
| 0x080 | INTERP0_ACCUM0 | Read/write access to accumulator 0 |
| 0x084 | INTERP0_ACCUM1 | Read/write access to accumulator 1 |
| 0x088 | INTERP0_BASE0 | Read/write access to BASE0 register. |
| 0x08c | INTERP0_BASE1 | Read/write access to BASE1 register. |
| 0x090 | INTERP0_BASE2 | Read/write access to BASE2 register. |
| 0x094 | INTERP0_POP_LANE0 | Read LANE0 result, and simultaneously write lane results to both accumulators (POP). |
| 0x098 | INTERP0_POP_LANE1 | Read LANE1 result, and simultaneously write lane results to both accumulators (POP). |
| 0x09c | INTERP0_POP_FULL | Read FULL result, and simultaneously write lane results to both accumulators (POP). |
| 0x0a0 | INTERP0_PEEK_LANE0 | Read LANE0 result, without altering any internal state (PEEK). |
| 0x0a4 | INTERP0_PEEK_LANE1 | Read LANE1 result, without altering any internal state (PEEK). |

| Offset | Name | Info |
|--------|------------------------------------|--|
| 0x0a8 | INTERP0_PEEK_FULL | Read FULL result, without altering any internal state (PEEK). |
| 0x0ac | INTERP0_CTRL_LANE0 | Control register for lane 0 |
| 0x0b0 | INTERP0_CTRL_LANE1 | Control register for lane 1 |
| 0x0b4 | INTERP0_ACCUM0_ADD | Values written here are atomically added to ACCUM0 |
| 0x0b8 | INTERP0_ACCUM1_ADD | Values written here are atomically added to ACCUM1 |
| 0x0bc | INTERP0_BASE_1AND0 | On write, the lower 16 bits go to BASE0, upper bits to BASE1 simultaneously. |
| 0x0c0 | INTERP1_ACCUM0 | Read/write access to accumulator 0 |
| 0x0c4 | INTERP1_ACCUM1 | Read/write access to accumulator 1 |
| 0x0c8 | INTERP1_BASE0 | Read/write access to BASE0 register. |
| 0x0cc | INTERP1_BASE1 | Read/write access to BASE1 register. |
| 0x0d0 | INTERP1_BASE2 | Read/write access to BASE2 register. |
| 0x0d4 | INTERP1_POP_LANE0 | Read LANE0 result, and simultaneously write lane results to both accumulators (POP). |
| 0x0d8 | INTERP1_POP_LANE1 | Read LANE1 result, and simultaneously write lane results to both accumulators (POP). |
| 0x0dc | INTERP1_POP_FULL | Read FULL result, and simultaneously write lane results to both accumulators (POP). |
| 0x0e0 | INTERP1_PEEK_LANE0 | Read LANE0 result, without altering any internal state (PEEK). |
| 0x0e4 | INTERP1_PEEK_LANE1 | Read LANE1 result, without altering any internal state (PEEK). |
| 0x0e8 | INTERP1_PEEK_FULL | Read FULL result, without altering any internal state (PEEK). |
| 0x0ec | INTERP1_CTRL_LANE0 | Control register for lane 0 |
| 0x0f0 | INTERP1_CTRL_LANE1 | Control register for lane 1 |
| 0x0f4 | INTERP1_ACCUM0_ADD | Values written here are atomically added to ACCUM0 |
| 0x0f8 | INTERP1_ACCUM1_ADD | Values written here are atomically added to ACCUM1 |
| 0x0fc | INTERP1_BASE_1AND0 | On write, the lower 16 bits go to BASE0, upper bits to BASE1 simultaneously. |
| 0x100 | SPINLOCK0 | Spinlock register 0 |
| 0x104 | SPINLOCK1 | Spinlock register 1 |
| 0x108 | SPINLOCK2 | Spinlock register 2 |
| 0x10c | SPINLOCK3 | Spinlock register 3 |
| 0x110 | SPINLOCK4 | Spinlock register 4 |
| 0x114 | SPINLOCK5 | Spinlock register 5 |
| 0x118 | SPINLOCK6 | Spinlock register 6 |
| 0x11c | SPINLOCK7 | Spinlock register 7 |
| 0x120 | SPINLOCK8 | Spinlock register 8 |
| 0x124 | SPINLOCK9 | Spinlock register 9 |

| Offset | Name | Info |
|--------|------------------|---|
| 0x128 | SPINLOCK10 | Spinlock register 10 |
| 0x12c | SPINLOCK11 | Spinlock register 11 |
| 0x130 | SPINLOCK12 | Spinlock register 12 |
| 0x134 | SPINLOCK13 | Spinlock register 13 |
| 0x138 | SPINLOCK14 | Spinlock register 14 |
| 0x13c | SPINLOCK15 | Spinlock register 15 |
| 0x140 | SPINLOCK16 | Spinlock register 16 |
| 0x144 | SPINLOCK17 | Spinlock register 17 |
| 0x148 | SPINLOCK18 | Spinlock register 18 |
| 0x14c | SPINLOCK19 | Spinlock register 19 |
| 0x150 | SPINLOCK20 | Spinlock register 20 |
| 0x154 | SPINLOCK21 | Spinlock register 21 |
| 0x158 | SPINLOCK22 | Spinlock register 22 |
| 0x15c | SPINLOCK23 | Spinlock register 23 |
| 0x160 | SPINLOCK24 | Spinlock register 24 |
| 0x164 | SPINLOCK25 | Spinlock register 25 |
| 0x168 | SPINLOCK26 | Spinlock register 26 |
| 0x16c | SPINLOCK27 | Spinlock register 27 |
| 0x170 | SPINLOCK28 | Spinlock register 28 |
| 0x174 | SPINLOCK29 | Spinlock register 29 |
| 0x178 | SPINLOCK30 | Spinlock register 30 |
| 0x17c | SPINLOCK31 | Spinlock register 31 |
| 0x180 | DOORBELL_OUT_SET | <p>Trigger a doorbell interrupt on the opposite core.</p> <p>Write 1 to a bit to set the corresponding bit in DOORBELL_IN on the opposite core. This raises the opposite core's doorbell interrupt.</p> <p>Read to get the status of the doorbells currently asserted on the opposite core. This is equivalent to that core reading its own DOORBELL_IN status.</p> |

| Offset | Name | Info |
|--------|----------------------------------|--|
| 0x184 | DOORBELL_OUT_CLR | <p>Clear doorbells which have been posted to the opposite core. This register is intended for debugging and initialisation purposes.</p> <p>Writing 1 to a bit in DOORBELL_OUT_CLR clears the corresponding bit in DOORBELL_IN on the opposite core. Clearing all bits will cause that core's doorbell interrupt to deassert. Since the usual order of events is for software to send events using DOORBELL_OUT_SET, and acknowledge incoming events by writing to DOORBELL_IN_CLR, this register should be used with caution to avoid race conditions.</p> <p>Reading returns the status of the doorbells currently asserted on the other core, i.e. is equivalent to that core reading its own DOORBELL_IN status.</p> |
| 0x188 | DOORBELL_IN_SET | Write 1s to trigger doorbell interrupts on this core. Read to get status of doorbells currently asserted on this core. |
| 0x18c | DOORBELL_IN_CLR | <p>Check and acknowledge doorbells posted to this core. This core's doorbell interrupt is asserted when any bit in this register is 1.</p> <p>Write 1 to each bit to clear that bit. The doorbell interrupt deasserts once all bits are cleared. Read to get status of doorbells currently asserted on this core.</p> |
| 0x190 | PERL_NONSEC | <p>Detach certain core-local peripherals from Secure SIO, and attach them to Non-secure SIO, so that Non-secure software can use them. Attempting to access one of these peripherals from the Secure SIO when it is attached to the Non-secure SIO, or vice versa, will generate a bus error.</p> <p>This register is per-core, and is only present on the Secure SIO.</p> <p>Most SIO hardware is duplicated across the Secure and Non-secure SIO, so is not listed in this register.</p> |
| 0x1a0 | RISCV_SOFTIRQ | <p>Control the assertion of the standard software interrupt (MIP.MSIP) on the RISC-V cores.</p> <p>Unlike the RISC-V timer, this interrupt is not routed to a normal system-level interrupt line, so can not be used by the Arm cores.</p> <p>It is safe for both cores to write to this register on the same cycle. The set/clear effect is accumulated across both cores, and then applied. If a flag is both set and cleared on the same cycle, only the set takes effect.</p> |

| Offset | Name | Info |
|--------|----------------------------------|--|
| 0x1a4 | MTIME_CTRL | Control register for the RISC-V 64-bit Machine-mode timer. This timer is only present in the Secure SIO, so is only accessible to an Arm core in Secure mode or a RISC-V core in Machine mode. Note whilst this timer follows the RISC-V privileged specification, it is equally usable by the Arm cores. The interrupts are routed to normal system-level interrupt lines as well as to the MIP.MTIP inputs on the RISC-V cores. |
| 0x1b0 | MTIME | Read/write access to the high half of RISC-V Machine-mode timer. This register is shared between both cores. If both cores write on the same cycle, core 1 takes precedence. |
| 0x1b4 | MTIMEH | Read/write access to the high half of RISC-V Machine-mode timer. This register is shared between both cores. If both cores write on the same cycle, core 1 takes precedence. |
| 0x1b8 | MTIMECMP | Low half of RISC-V Machine-mode timer comparator. This register is core-local, i.e., each core gets a copy of this register, with the comparison result routed to its own interrupt line. The timer interrupt is asserted whenever MTIME is greater than or equal to MTIMECMP. This comparison is unsigned, and performed on the full 64-bit values. |
| 0x1bc | MTIMECMPH | High half of RISC-V Machine-mode timer comparator. This register is core-local. The timer interrupt is asserted whenever MTIME is greater than or equal to MTIMECMP. This comparison is unsigned, and performed on the full 64-bit values. |
| 0x1c0 | TMDS_CTRL | Control register for TMDS encoder. |
| 0x1c4 | TMDS_WDATA | Write-only access to the TMDS colour data register. |
| 0x1c8 | TMDS_PEEK_SINGLE | Get the encoding of one pixel's worth of colour data, packed into a 32-bit value (3x10-bit symbols). The PEEK alias does not shift the colour register when read, but still advances the running DC balance state of each encoder. This is useful for pixel doubling. |
| 0x1cc | TMDS_POP_SINGLE | Get the encoding of one pixel's worth of colour data, packed into a 32-bit value. The packing is 5 chunks of 3 lanes times 2 bits (30 bits total). Each chunk contains two bits of a TMDS symbol per lane. This format is intended for shifting out with the HSTX peripheral on RP2350. The POP alias shifts the colour register when read, as well as advancing the running DC balance state of each encoder. |

| Offset | Name | Info |
|--------|-------------------------------------|--|
| 0x1d0 | TMDS_PEEK_DOUBLE_L0 | <p>Get lane 0 of the encoding of two pixels' worth of colour data. Two 10-bit TMDS symbols are packed at the bottom of a 32-bit word.</p> <p>The PEEK alias does not shift the colour register when read, but still advances the lane 0 DC balance state. This is useful if all 3 lanes' worth of encode are to be read at once, rather than processing the entire scanline for one lane before moving to the next lane.</p> |
| 0x1d4 | TMDS_POP_DOUBLE_L0 | <p>Get lane 0 of the encoding of two pixels' worth of colour data. Two 10-bit TMDS symbols are packed at the bottom of a 32-bit word.</p> <p>The POP alias shifts the colour register when read, according to the values of PIX_SHIFT and PIX2_NOSHIFT.</p> |
| 0x1d8 | TMDS_PEEK_DOUBLE_L1 | <p>Get lane 1 of the encoding of two pixels' worth of colour data. Two 10-bit TMDS symbols are packed at the bottom of a 32-bit word.</p> <p>The PEEK alias does not shift the colour register when read, but still advances the lane 1 DC balance state. This is useful if all 3 lanes' worth of encode are to be read at once, rather than processing the entire scanline for one lane before moving to the next lane.</p> |
| 0x1dc | TMDS_POP_DOUBLE_L1 | <p>Get lane 1 of the encoding of two pixels' worth of colour data. Two 10-bit TMDS symbols are packed at the bottom of a 32-bit word.</p> <p>The POP alias shifts the colour register when read, according to the values of PIX_SHIFT and PIX2_NOSHIFT.</p> |
| 0x1e0 | TMDS_PEEK_DOUBLE_L2 | <p>Get lane 2 of the encoding of two pixels' worth of colour data. Two 10-bit TMDS symbols are packed at the bottom of a 32-bit word.</p> <p>The PEEK alias does not shift the colour register when read, but still advances the lane 2 DC balance state. This is useful if all 3 lanes' worth of encode are to be read at once, rather than processing the entire scanline for one lane before moving to the next lane.</p> |
| 0x1e4 | TMDS_POP_DOUBLE_L2 | <p>Get lane 2 of the encoding of two pixels' worth of colour data. Two 10-bit TMDS symbols are packed at the bottom of a 32-bit word.</p> <p>The POP alias shifts the colour register when read, according to the values of PIX_SHIFT and PIX2_NOSHIFT.</p> |

SIO: CPUID Register

Offset: 0x000

Description

Processor core identifier

Table 18. CPUID Register

| Bits | Description | Type | Reset |
|------|--|------|-------|
| 31:0 | Value is 0 when read from processor core 0, and 1 when read from processor core 1. | RO | - |

SIO: GPIO_IN Register

Offset: 0x004

Table 19. GPIO_IN Register

| Bits | Description | Type | Reset |
|------|---|------|------------|
| 31:0 | Input value for GPIO0...31. In the Non-secure SIO, Secure-only GPIOs (as per ACCESSCTRL) appear as zero. | RO | 0x00000000 |

SIO: GPIO_HI_IN Register

Offset: 0x008

Description

Input value on GPIO32...47, QSPI IOs and USB pins

In the Non-secure SIO, Secure-only GPIOs (as per ACCESSCTRL) appear as zero.

Table 20. GPIO_HI_IN Register

| Bits | Description | Type | Reset |
|-------|---|------|--------|
| 31:28 | QSPI_SD : Input value on QSPI SD0 (MOSI), SD1 (MISO), SD2 and SD3 pins | RO | 0x0 |
| 27 | QSPI_CSN : Input value on QSPI CSn pin | RO | 0x0 |
| 26 | QSPI_SCK : Input value on QSPI SCK pin | RO | 0x0 |
| 25 | USB_DM : Input value on USB D- pin | RO | 0x0 |
| 24 | USB_DP : Input value on USB D+ pin | RO | 0x0 |
| 23:16 | Reserved. | - | - |
| 15:0 | GPIO : Input value on GPIO32...47 | RO | 0x0000 |

SIO: GPIO_OUT Register

Offset: 0x010

Description

GPIO0...31 output value

Table 21. GPIO_OUT Register

| Bits | Description | Type | Reset |
|------|--|------|------------|
| 31:0 | <p>Set output level (1/0 → high/low) for GPIO0...31. Reading back gives the last value written, NOT the input value from the pins.</p> <p>If core 0 and core 1 both write to GPIO_OUT simultaneously (or to a SET/CLR/XOR alias), the result is as though the write from core 0 took place first, and the write from core 1 was then applied to that intermediate result.</p> <p>In the Non-secure SIO, Secure-only GPIOs (as per ACCESSCTRL) ignore writes, and their output status reads back as zero. This is also true for SET/CLR/XOR aliases of this register.</p> | RW | 0x00000000 |

SIO: GPIO_HI_OUT Register

Offset: 0x014

Description

Output value for GPIO32...47, QSPI IOs and USB pins.

Write to set output level (1/0 → high/low). Reading back gives the last value written, NOT the input value from the pins. If core 0 and core 1 both write to GPIO_HI_OUT simultaneously (or to a SET/CLR/XOR alias), the result is as though the write from core 0 took place first, and the write from core 1 was then applied to that intermediate result.

In the Non-secure SIO, Secure-only GPIOs (as per ACCESSCTRL) ignore writes, and their output status reads back as zero. This is also true for SET/CLR/XOR aliases of this register.

Table 22. GPIO_HI_OUT Register

| Bits | Description | Type | Reset |
|-------|---|------|--------|
| 31:28 | QSPI_SD : Output value for QSPI SD0 (MOSI), SD1 (MISO), SD2 and SD3 pins | RW | 0x0 |
| 27 | QSPI_CSN : Output value for QSPI CSn pin | RW | 0x0 |
| 26 | QSPI_SCK : Output value for QSPI SCK pin | RW | 0x0 |
| 25 | USB_DM : Output value for USB D- pin | RW | 0x0 |
| 24 | USB_DP : Output value for USB D+ pin | RW | 0x0 |
| 23:16 | Reserved. | - | - |
| 15:0 | GPIO : Output value for GPIO32...47 | RW | 0x0000 |

SIO: GPIO_OUT_SET Register

Offset: 0x018

Description

GPIO0...31 output value set

Table 23. GPIO_OUT_SET Register

| Bits | Description | Type | Reset |
|------|--|------|------------|
| 31:0 | Perform an atomic bit-set on GPIO_OUT, i.e. <code>GPIO_OUT = wdata</code> | WO | 0x00000000 |

SIO: GPIO_HI_OUT_SET Register

Offset: 0x01c

Description

Output value set for GPIO32..47, QSPI IOs and USB pins.

Perform an atomic bit-set on GPIO_HI_OUT, i.e. `GPIO_HI_OUT |= wdata`

Table 24.
GPIO_HI_OUT_SET
Register

| Bits | Description | Type | Reset |
|-------|-------------|------|--------|
| 31:28 | QSPI_SD | WO | 0x0 |
| 27 | QSPI_CSN | WO | 0x0 |
| 26 | QSPI_SCK | WO | 0x0 |
| 25 | USB_DM | WO | 0x0 |
| 24 | USB_DP | WO | 0x0 |
| 23:16 | Reserved. | - | - |
| 15:0 | GPIO | WO | 0x0000 |

SIO: GPIO_OUT_CLR Register

Offset: 0x020

Description

GPIO0...31 output value clear

Table 25.
GPIO_OUT_CLR
Register

| Bits | Description | Type | Reset |
|------|---|------|------------|
| 31:0 | Perform an atomic bit-clear on GPIO_OUT, i.e. <code>GPIO_OUT &= ~wdata</code> | WO | 0x00000000 |

SIO: GPIO_HI_OUT_CLR Register

Offset: 0x024

Description

Output value clear for GPIO32..47, QSPI IOs and USB pins.

Perform an atomic bit-clear on GPIO_HI_OUT, i.e. `GPIO_HI_OUT &= ~wdata`

Table 26.
GPIO_HI_OUT_CLR
Register

| Bits | Description | Type | Reset |
|-------|-------------|------|--------|
| 31:28 | QSPI_SD | WO | 0x0 |
| 27 | QSPI_CSN | WO | 0x0 |
| 26 | QSPI_SCK | WO | 0x0 |
| 25 | USB_DM | WO | 0x0 |
| 24 | USB_DP | WO | 0x0 |
| 23:16 | Reserved. | - | - |
| 15:0 | GPIO | WO | 0x0000 |

SIO: GPIO_OUT_XOR Register

Offset: 0x028

Description

GPIO0...31 output value XOR

Table 27.
GPIO_OUT_XOR
Register

| Bits | Description | Type | Reset |
|------|--|------|------------|
| 31:0 | Perform an atomic bitwise XOR on GPIO_OUT, i.e. <code>GPIO_OUT ^= wdata</code> | WO | 0x00000000 |

SIO: GPIO_HI_OUT_XOR Register

Offset: 0x02c

Description

Output value XOR for GPIO32..47, QSPI IOs and USB pins.
 Perform an atomic bitwise XOR on GPIO_HI_OUT, i.e. `GPIO_HI_OUT ^= wdata`

Table 28. GPIO_HI_OUT_XOR Register

| Bits | Description | Type | Reset |
|-------|-------------|------|--------|
| 31:28 | QSPI_SD | WO | 0x0 |
| 27 | QSPI_CSN | WO | 0x0 |
| 26 | QSPI_SCK | WO | 0x0 |
| 25 | USB_DM | WO | 0x0 |
| 24 | USB_DP | WO | 0x0 |
| 23:16 | Reserved. | - | - |
| 15:0 | GPIO | WO | 0x0000 |

SIO: GPIO_OE Register

Offset: 0x030

Description

GPIO0...31 output enable

Table 29. GPIO_OE Register

| Bits | Description | Type | Reset |
|------|--|------|------------|
| 31:0 | Set output enable (1/0 → output/input) for GPIO0...31. Reading back gives the last value written. If core 0 and core 1 both write to GPIO_OE simultaneously (or to a SET/CLR/XOR alias), the result is as though the write from core 0 took place first, and the write from core 1 was then applied to that intermediate result. In the Non-secure SIO, Secure-only GPIOs (as per ACCESSCTRL) ignore writes, and their output status reads back as zero. This is also true for SET/CLR/XOR aliases of this register. | RW | 0x00000000 |

SIO: GPIO_HI_OE Register

Offset: 0x034

Description

Output enable value for GPIO32...47, QSPI IOs and USB pins.

Write output enable (1/0 → output/input). Reading back gives the last value written. If core 0 and core 1 both write to GPIO_HI_OE simultaneously (or to a SET/CLR/XOR alias), the result is as though the write from core 0 took place first, and the write from core 1 was then applied to that intermediate result.

In the Non-secure SIO, Secure-only GPIOs (as per ACCESSCTRL) ignore writes, and their output status reads back as zero. This is also true for SET/CLR/XOR aliases of this register.

Table 30. GPIO_HI_OE Register

| Bits | Description | Type | Reset |
|-------|--|------|-------|
| 31:28 | QSPI_SD: Output enable value for QSPI SD0 (MOSI), SD1 (MISO), SD2 and SD3 pins | RW | 0x0 |
| 27 | QSPI_CSN: Output enable value for QSPI CSn pin | RW | 0x0 |
| 26 | QSPI_SCK: Output enable value for QSPI SCK pin | RW | 0x0 |
| 25 | USB_DM: Output enable value for USB D- pin | RW | 0x0 |

| Bits | Description | Type | Reset |
|-------|--|------|--------|
| 24 | USB_DP : Output enable value for USB D+ pin | RW | 0x0 |
| 23:16 | Reserved. | - | - |
| 15:0 | GPIO : Output enable value for GPIO32...47 | RW | 0x0000 |

SIO: GPIO_OE_SET Register

Offset: 0x038

Description

GPIO0...31 output enable set

Table 31.
GPIO_OE_SET Register

| Bits | Description | Type | Reset |
|------|--|------|------------|
| 31:0 | Perform an atomic bit-set on GPIO_OE, i.e. <code>GPIO_OE = wdata</code> | WO | 0x00000000 |

SIO: GPIO_HI_OE_SET Register

Offset: 0x03c

Description

Output enable set for GPIO32...47, QSPI IOs and USB pins.

Perform an atomic bit-set on GPIO_HI_OE, i.e. `GPIO_HI_OE |= wdata`

Table 32.
GPIO_HI_OE_SET Register

| Bits | Description | Type | Reset |
|-------|-----------------|------|--------|
| 31:28 | QSPI_SD | WO | 0x0 |
| 27 | QSPI_CSN | WO | 0x0 |
| 26 | QSPI_SCK | WO | 0x0 |
| 25 | USB_DM | WO | 0x0 |
| 24 | USB_DP | WO | 0x0 |
| 23:16 | Reserved. | - | - |
| 15:0 | GPIO | WO | 0x0000 |

SIO: GPIO_OE_CLR Register

Offset: 0x040

Description

GPIO0...31 output enable clear

Table 33.
GPIO_OE_CLR Register

| Bits | Description | Type | Reset |
|------|---|------|------------|
| 31:0 | Perform an atomic bit-clear on GPIO_OE, i.e. <code>GPIO_OE &= ~wdata</code> | WO | 0x00000000 |

SIO: GPIO_HI_OE_CLR Register

Offset: 0x044

Description

Output enable clear for GPIO32...47, QSPI IOs and USB pins.

Perform an atomic bit-clear on GPIO_HI_OE, i.e. `GPIO_HI_OE &= ~wdata`

Table 34.
GPIO_HI_OE_CLR
Register

| Bits | Description | Type | Reset |
|-------|-------------|------|--------|
| 31:28 | QSPI_SD | WO | 0x0 |
| 27 | QSPI_CSN | WO | 0x0 |
| 26 | QSPI_SCK | WO | 0x0 |
| 25 | USB_DM | WO | 0x0 |
| 24 | USB_DP | WO | 0x0 |
| 23:16 | Reserved. | - | - |
| 15:0 | GPIO | WO | 0x0000 |

SIO: GPIO_OE_XOR Register

Offset: 0x048

Description

GPIO0...31 output enable XOR

Table 35.
GPIO_OE_XOR
Register

| Bits | Description | Type | Reset |
|------|---|------|------------|
| 31:0 | Perform an atomic bitwise XOR on GPIO_OE, i.e. $GPIO_OE \wedge= wdata$ | WO | 0x00000000 |

SIO: GPIO_HI_OE_XOR Register

Offset: 0x04c

Description

Output enable XOR for GPIO32...47, QSPI IOs and USB pins.

Perform an atomic bitwise XOR on GPIO_HI_OE, i.e. $GPIO_HI_OE \wedge= wdata$

Table 36.
GPIO_HI_OE_XOR
Register

| Bits | Description | Type | Reset |
|-------|-------------|------|--------|
| 31:28 | QSPI_SD | WO | 0x0 |
| 27 | QSPI_CSN | WO | 0x0 |
| 26 | QSPI_SCK | WO | 0x0 |
| 25 | USB_DM | WO | 0x0 |
| 24 | USB_DP | WO | 0x0 |
| 23:16 | Reserved. | - | - |
| 15:0 | GPIO | WO | 0x0000 |

SIO: FIFO_ST Register

Offset: 0x050

Description

Status register for inter-core FIFOs (mailboxes).

There is one FIFO in the core 0 → core 1 direction, and one core 1 → core 0. Both are 32 bits wide and 8 words deep.

Core 0 can see the read side of the 1 → 0 FIFO (RX), and the write side of 0 → 1 FIFO (TX).

Core 1 can see the read side of the 0 → 1 FIFO (RX), and the write side of 1 → 0 FIFO (TX).

The SIO IRQ for each core is the logical OR of the VLD, WOF and ROE fields of its FIFO_ST register.

Table 37. FIFO_ST Register

| Bits | Description | Type | Reset |
|------|--|------|-------|
| 31:4 | Reserved. | - | - |
| 3 | ROE : Sticky flag indicating the RX FIFO was read when empty. This read was ignored by the FIFO. | WC | 0x0 |
| 2 | WOF : Sticky flag indicating the TX FIFO was written when full. This write was ignored by the FIFO. | WC | 0x0 |
| 1 | RDY : Value is 1 if this core's TX FIFO is not full (i.e. if FIFO_WR is ready for more data) | RO | 0x1 |
| 0 | VLD : Value is 1 if this core's RX FIFO is not empty (i.e. if FIFO_RD is valid) | RO | 0x0 |

SIO: FIFO_WR Register

Offset: 0x054

Table 38. FIFO_WR Register

| Bits | Description | Type | Reset |
|------|-------------------------------------|------|------------|
| 31:0 | Write access to this core's TX FIFO | WF | 0x00000000 |

SIO: FIFO_RD Register

Offset: 0x058

Table 39. FIFO_RD Register

| Bits | Description | Type | Reset |
|------|------------------------------------|------|-------|
| 31:0 | Read access to this core's RX FIFO | RF | - |

SIO: SPINLOCK_ST Register

Offset: 0x05c

Table 40. SPINLOCK_ST Register

| Bits | Description | Type | Reset |
|------|---|------|------------|
| 31:0 | Spinlock state A bitmap containing the state of all 32 spinlocks (1=locked). Mainly intended for debugging. | RO | 0x00000000 |

SIO: INTERP0_ACCUM0 Register

Offset: 0x080

Table 41. INTERP0_ACCUM0 Register

| Bits | Description | Type | Reset |
|------|------------------------------------|------|------------|
| 31:0 | Read/write access to accumulator 0 | RW | 0x00000000 |

SIO: INTERP0_ACCUM1 Register

Offset: 0x084

Table 42. INTERP0_ACCUM1 Register

| Bits | Description | Type | Reset |
|------|------------------------------------|------|------------|
| 31:0 | Read/write access to accumulator 1 | RW | 0x00000000 |

SIO: INTERP0_BASE0 Register

Offset: 0x088

Table 43.
INTERP0_BASE0
Register

| Bits | Description | Type | Reset |
|------|--------------------------------------|------|------------|
| 31:0 | Read/write access to BASE0 register. | RW | 0x00000000 |

SIO: INTERP0_BASE1 Register

Offset: 0x08c

Table 44.
INTERP0_BASE1
Register

| Bits | Description | Type | Reset |
|------|--------------------------------------|------|------------|
| 31:0 | Read/write access to BASE1 register. | RW | 0x00000000 |

SIO: INTERP0_BASE2 Register

Offset: 0x090

Table 45.
INTERP0_BASE2
Register

| Bits | Description | Type | Reset |
|------|--------------------------------------|------|------------|
| 31:0 | Read/write access to BASE2 register. | RW | 0x00000000 |

SIO: INTERP0_POP_LANE0 Register

Offset: 0x094

Table 46.
INTERP0_POP_LANE0
Register

| Bits | Description | Type | Reset |
|------|--|------|------------|
| 31:0 | Read LANE0 result, and simultaneously write lane results to both accumulators (POP). | RO | 0x00000000 |

SIO: INTERP0_POP_LANE1 Register

Offset: 0x098

Table 47.
INTERP0_POP_LANE1
Register

| Bits | Description | Type | Reset |
|------|--|------|------------|
| 31:0 | Read LANE1 result, and simultaneously write lane results to both accumulators (POP). | RO | 0x00000000 |

SIO: INTERP0_POP_FULL Register

Offset: 0x09c

Table 48.
INTERP0_POP_FULL
Register

| Bits | Description | Type | Reset |
|------|---|------|------------|
| 31:0 | Read FULL result, and simultaneously write lane results to both accumulators (POP). | RO | 0x00000000 |

SIO: INTERP0_PEEK_LANE0 Register

Offset: 0x0a0

Table 49.
INTERP0_PEEK_LANE
0 Register

| Bits | Description | Type | Reset |
|------|--|------|------------|
| 31:0 | Read LANE0 result, without altering any internal state (PEEK). | RO | 0x00000000 |

SIO: INTERP0_PEEK_LANE1 Register

Offset: 0x0a4

Table 50.
INTERP0_PEEK_LANE
1 Register

| Bits | Description | Type | Reset |
|------|--|------|------------|
| 31:0 | Read LANE1 result, without altering any internal state (PEEK). | RO | 0x00000000 |

SIO: INTERP0_PEEK_FULL Register

Offset: 0x0a8

Table 51.
INTERP0_PEEK_FULL
Register

| Bits | Description | Type | Reset |
|------|---|------|------------|
| 31:0 | Read FULL result, without altering any internal state (PEEK). | RO | 0x00000000 |

SIO: INTERP0_CTRL_LANE0 Register

Offset: 0x0ac

Description

Control register for lane 0

Table 52.
INTERP0_CTRL_LANE
0 Register

| Bits | Description | Type | Reset |
|-------|--|------|-------|
| 31:26 | Reserved. | - | - |
| 25 | OVERF : Set if either OVERF0 or OVERF1 is set. | RO | 0x0 |
| 24 | OVERF1 : Indicates if any masked-off MSBs in ACCUM1 are set. | RO | 0x0 |
| 23 | OVERF0 : Indicates if any masked-off MSBs in ACCUM0 are set. | RO | 0x0 |
| 22 | Reserved. | - | - |
| 21 | BLEND : Only present on INTERP0 on each core. If BLEND mode is enabled: - LANE1 result is a linear interpolation between BASE0 and BASE1, controlled by the 8 LSBs of lane 1 shift and mask value (a fractional number between 0 and 255/256ths) - LANE0 result does not have BASE0 added (yields only the 8 LSBs of lane 1 shift+mask value) - FULL result does not have lane 1 shift+mask value added (BASE2 + lane 0 shift+mask) LANE1 SIGNED flag controls whether the interpolation is signed or unsigned. | RW | 0x0 |
| 20:19 | FORCE_MSB : ORed into bits 29:28 of the lane result presented to the processor on the bus. No effect on the internal 32-bit datapath. Handy for using a lane to generate sequence of pointers into flash or SRAM. | RW | 0x0 |
| 18 | ADD_RAW : If 1, mask + shift is bypassed for LANE0 result. This does not affect FULL result. | RW | 0x0 |
| 17 | CROSS_RESULT : If 1, feed the opposite lane's result into this lane's accumulator on POP. | RW | 0x0 |
| 16 | CROSS_INPUT : If 1, feed the opposite lane's accumulator into this lane's shift + mask hardware. Takes effect even if ADD_RAW is set (the CROSS_INPUT mux is before the shift+mask bypass) | RW | 0x0 |
| 15 | SIGNED : If SIGNED is set, the shifted and masked accumulator value is sign-extended to 32 bits before adding to BASE0, and LANE0 PEEK/POP appear extended to 32 bits when read by processor. | RW | 0x0 |

| Bits | Description | Type | Reset |
|-------|--|------|-------|
| 14:10 | MASK_MSB : The most-significant bit allowed to pass by the mask (inclusive) Setting MSB < LSB may cause chip to turn inside-out | RW | 0x00 |
| 9:5 | MASK_LSB : The least-significant bit allowed to pass by the mask (inclusive) | RW | 0x00 |
| 4:0 | SHIFT : Right-rotate applied to accumulator before masking. By appropriately configuring the masks, left and right shifts can be synthesised. | RW | 0x00 |

SIO: INTERP0_CTRL_LANE1 Register

Offset: 0x0b0

Description

Control register for lane 1

Table 53.
INTERP0_CTRL_LANE
1 Register

| Bits | Description | Type | Reset |
|-------|---|------|-------|
| 31:21 | Reserved. | - | - |
| 20:19 | FORCE_MSB : ORed into bits 29:28 of the lane result presented to the processor on the bus. No effect on the internal 32-bit datapath. Handy for using a lane to generate sequence of pointers into flash or SRAM. | RW | 0x0 |
| 18 | ADD_RAW : If 1, mask + shift is bypassed for LANE1 result. This does not affect FULL result. | RW | 0x0 |
| 17 | CROSS_RESULT : If 1, feed the opposite lane's result into this lane's accumulator on POP. | RW | 0x0 |
| 16 | CROSS_INPUT : If 1, feed the opposite lane's accumulator into this lane's shift + mask hardware. Takes effect even if ADD_RAW is set (the CROSS_INPUT mux is before the shift+mask bypass) | RW | 0x0 |
| 15 | SIGNED : If SIGNED is set, the shifted and masked accumulator value is sign-extended to 32 bits before adding to BASE1, and LANE1 PEEK/POP appear extended to 32 bits when read by processor. | RW | 0x0 |
| 14:10 | MASK_MSB : The most-significant bit allowed to pass by the mask (inclusive) Setting MSB < LSB may cause chip to turn inside-out | RW | 0x00 |
| 9:5 | MASK_LSB : The least-significant bit allowed to pass by the mask (inclusive) | RW | 0x00 |
| 4:0 | SHIFT : Right-rotate applied to accumulator before masking. By appropriately configuring the masks, left and right shifts can be synthesised. | RW | 0x00 |

SIO: INTERP0_ACCUM0_ADD Register

Offset: 0x0b4

Table 54.
INTERP0_ACCUM0_ADD Register

| Bits | Description | Type | Reset |
|-------|---|------|----------|
| 31:24 | Reserved. | - | - |
| 23:0 | Values written here are atomically added to ACCUM0 Reading yields lane 0's raw shift and mask value (BASE0 not added). | RW | 0x000000 |

SIO: INTERP0_ACCUM1_ADD Register

Offset: 0x0b8

Table 55.
INTERP0_ACCUM1_ADD Register

| Bits | Description | Type | Reset |
|-------|---|------|----------|
| 31:24 | Reserved. | - | - |
| 23:0 | Values written here are atomically added to ACCUM1 Reading yields lane 1's raw shift and mask value (BASE1 not added). | RW | 0x000000 |

SIO: INTERP0_BASE_1AND0 Register

Offset: 0x0bc

Table 56.
INTERP0_BASE_1AND0 Register

| Bits | Description | Type | Reset |
|------|--|------|------------|
| 31:0 | On write, the lower 16 bits go to BASE0, upper bits to BASE1 simultaneously. Each half is sign-extended to 32 bits if that lane's SIGNED flag is set. | WO | 0x00000000 |

SIO: INTERP1_ACCUM0 Register

Offset: 0x0c0

Table 57.
INTERP1_ACCUM0 Register

| Bits | Description | Type | Reset |
|------|------------------------------------|------|------------|
| 31:0 | Read/write access to accumulator 0 | RW | 0x00000000 |

SIO: INTERP1_ACCUM1 Register

Offset: 0x0c4

Table 58.
INTERP1_ACCUM1 Register

| Bits | Description | Type | Reset |
|------|------------------------------------|------|------------|
| 31:0 | Read/write access to accumulator 1 | RW | 0x00000000 |

SIO: INTERP1_BASE0 Register

Offset: 0x0c8

Table 59.
INTERP1_BASE0 Register

| Bits | Description | Type | Reset |
|------|--------------------------------------|------|------------|
| 31:0 | Read/write access to BASE0 register. | RW | 0x00000000 |

SIO: INTERP1_BASE1 Register

Offset: 0x0cc

Table 60.
INTERP1_BASE1
Register

| Bits | Description | Type | Reset |
|------|--------------------------------------|------|------------|
| 31:0 | Read/write access to BASE1 register. | RW | 0x00000000 |

SIO: INTERP1_BASE2 Register

Offset: 0x0d0

Table 61.
INTERP1_BASE2
Register

| Bits | Description | Type | Reset |
|------|--------------------------------------|------|------------|
| 31:0 | Read/write access to BASE2 register. | RW | 0x00000000 |

SIO: INTERP1_POP_LANE0 Register

Offset: 0x0d4

Table 62.
INTERP1_POP_LANE0
Register

| Bits | Description | Type | Reset |
|------|--|------|------------|
| 31:0 | Read LANE0 result, and simultaneously write lane results to both accumulators (POP). | RO | 0x00000000 |

SIO: INTERP1_POP_LANE1 Register

Offset: 0x0d8

Table 63.
INTERP1_POP_LANE1
Register

| Bits | Description | Type | Reset |
|------|--|------|------------|
| 31:0 | Read LANE1 result, and simultaneously write lane results to both accumulators (POP). | RO | 0x00000000 |

SIO: INTERP1_POP_FULL Register

Offset: 0x0dc

Table 64.
INTERP1_POP_FULL
Register

| Bits | Description | Type | Reset |
|------|---|------|------------|
| 31:0 | Read FULL result, and simultaneously write lane results to both accumulators (POP). | RO | 0x00000000 |

SIO: INTERP1_PEEK_LANE0 Register

Offset: 0x0e0

Table 65.
INTERP1_PEEK_LANE
0 Register

| Bits | Description | Type | Reset |
|------|--|------|------------|
| 31:0 | Read LANE0 result, without altering any internal state (PEEK). | RO | 0x00000000 |

SIO: INTERP1_PEEK_LANE1 Register

Offset: 0x0e4

Table 66.
INTERP1_PEEK_LANE
1 Register

| Bits | Description | Type | Reset |
|------|--|------|------------|
| 31:0 | Read LANE1 result, without altering any internal state (PEEK). | RO | 0x00000000 |

SIO: INTERP1_PEEK_FULL Register

Offset: 0x0e8

Table 67.
INTERP1_PEEK_FULL
Register

| Bits | Description | Type | Reset |
|------|---|------|------------|
| 31:0 | Read FULL result, without altering any internal state (PEEK). | RO | 0x00000000 |

SIO: INTERP1_CTRL_LANE0 Register

Offset: 0x0ec

Description

Control register for lane 0

Table 68.
INTERP1_CTRL_LANE
0 Register

| Bits | Description | Type | Reset |
|-------|--|------|-------|
| 31:26 | Reserved. | - | - |
| 25 | OVERF: Set if either OVERF0 or OVERF1 is set. | RO | 0x0 |
| 24 | OVERF1: Indicates if any masked-off MSBs in ACCUM1 are set. | RO | 0x0 |
| 23 | OVERF0: Indicates if any masked-off MSBs in ACCUM0 are set. | RO | 0x0 |
| 22 | CLAMP: Only present on INTERP1 on each core. If CLAMP mode is enabled: - LANE0 result is shifted and masked ACCUM0, clamped by a lower bound of BASE0 and an upper bound of BASE1. - Signedness of these comparisons is determined by LANE0_CTRL_SIGNED | RW | 0x0 |
| 21 | Reserved. | - | - |
| 20:19 | FORCE_MSB: ORed into bits 29:28 of the lane result presented to the processor on the bus. No effect on the internal 32-bit datapath. Handy for using a lane to generate sequence of pointers into flash or SRAM. | RW | 0x0 |
| 18 | ADD_RAW: If 1, mask + shift is bypassed for LANE0 result. This does not affect FULL result. | RW | 0x0 |
| 17 | CROSS_RESULT: If 1, feed the opposite lane's result into this lane's accumulator on POP. | RW | 0x0 |
| 16 | CROSS_INPUT: If 1, feed the opposite lane's accumulator into this lane's shift + mask hardware. Takes effect even if ADD_RAW is set (the CROSS_INPUT mux is before the shift+mask bypass) | RW | 0x0 |
| 15 | SIGNED: If SIGNED is set, the shifted and masked accumulator value is sign-extended to 32 bits before adding to BASE0, and LANE0 PEEK/POP appear extended to 32 bits when read by processor. | RW | 0x0 |
| 14:10 | MASK_MSB: The most-significant bit allowed to pass by the mask (inclusive) Setting MSB < LSB may cause chip to turn inside-out | RW | 0x00 |
| 9:5 | MASK_LSB: The least-significant bit allowed to pass by the mask (inclusive) | RW | 0x00 |
| 4:0 | SHIFT: Right-rotate applied to accumulator before masking. By appropriately configuring the masks, left and right shifts can be synthesised. | RW | 0x00 |

SIO: INTERP1_CTRL_LANE1 Register

Offset: 0x0f0

Description

Control register for lane 1

Table 69.
INTERP1_CTRL_LANE
1 Register

| Bits | Description | Type | Reset |
|-------|--|------|-------|
| 31:21 | Reserved. | - | - |
| 20:19 | FORCE_MSB: ORed into bits 29:28 of the lane result presented to the processor on the bus. No effect on the internal 32-bit datapath. Handy for using a lane to generate sequence of pointers into flash or SRAM. | RW | 0x0 |
| 18 | ADD_RAW: If 1, mask + shift is bypassed for LANE1 result. This does not affect FULL result. | RW | 0x0 |
| 17 | CROSS_RESULT: If 1, feed the opposite lane's result into this lane's accumulator on POP. | RW | 0x0 |
| 16 | CROSS_INPUT: If 1, feed the opposite lane's accumulator into this lane's shift + mask hardware. Takes effect even if ADD_RAW is set (the CROSS_INPUT mux is before the shift+mask bypass) | RW | 0x0 |
| 15 | SIGNED: If SIGNED is set, the shifted and masked accumulator value is sign-extended to 32 bits before adding to BASE1, and LANE1 PEEK/POP appear extended to 32 bits when read by processor. | RW | 0x0 |
| 14:10 | MASK_MSB: The most-significant bit allowed to pass by the mask (inclusive) Setting MSB < LSB may cause chip to turn inside-out | RW | 0x00 |
| 9:5 | MASK_LSB: The least-significant bit allowed to pass by the mask (inclusive) | RW | 0x00 |
| 4:0 | SHIFT: Right-rotate applied to accumulator before masking. By appropriately configuring the masks, left and right shifts can be synthesised. | RW | 0x00 |

SIO: INTERP1_ACCUM0_ADD Register

Offset: 0x0f4

Table 70.
INTERP1_ACCUM0_ADD
Register

| Bits | Description | Type | Reset |
|-------|---|------|----------|
| 31:24 | Reserved. | - | - |
| 23:0 | Values written here are atomically added to ACCUM0 Reading yields lane 0's raw shift and mask value (BASE0 not added). | RW | 0x000000 |

SIO: INTERP1_ACCUM1_ADD Register

Offset: 0x0f8

Table 71.
INTERP1_ACCUM1_ADD
Register

| Bits | Description | Type | Reset |
|-------|---|------|----------|
| 31:24 | Reserved. | - | - |
| 23:0 | Values written here are atomically added to ACCUM1 Reading yields lane 1's raw shift and mask value (BASE1 not added). | RW | 0x000000 |

SIO: INTERP1_BASE_1AND0 Register

Offset: 0x0fc

Table 72.
INTERP1_BASE_1AND
0 Register

| Bits | Description | Type | Reset |
|------|---|------|------------|
| 31:0 | On write, the lower 16 bits go to BASE0, upper bits to BASE1 simultaneously. Each half is sign-extended to 32 bits if that lane's SIGNED flag is set. | WO | 0x00000000 |

SIO: SPINLOCK0, SPINLOCK1, ..., SPINLOCK30, SPINLOCK31 Registers

Offsets: 0x100, 0x104, ..., 0x178, 0x17c

Table 73. SPINLOCK0,
SPINLOCK1, ...,
SPINLOCK30,
SPINLOCK31
Registers

| Bits | Description | Type | Reset |
|------|--|------|------------|
| 31:0 | Reading from a spinlock address will: - Return 0 if lock is already locked - Otherwise return nonzero, and simultaneously claim the lock Writing (any value) releases the lock. If core 0 and core 1 attempt to claim the same lock simultaneously, core 0 wins. The value returned on success is 0x1 << lock number. | RW | 0x00000000 |

SIO: DOORBELL_OUT_SET Register

Offset: 0x180

Table 74.
DOORBELL_OUT_SET
Register

| Bits | Description | Type | Reset |
|------|--|------|-------|
| 31:8 | Reserved. | - | - |
| 7:0 | Trigger a doorbell interrupt on the opposite core. Write 1 to a bit to set the corresponding bit in DOORBELL_IN on the opposite core. This raises the opposite core's doorbell interrupt. Read to get the status of the doorbells currently asserted on the opposite core. This is equivalent to that core reading its own DOORBELL_IN status. | RW | 0x00 |

SIO: DOORBELL_OUT_CLR Register

Offset: 0x184

Table 75.
DOORBELL_OUT_CLR
Register

| Bits | Description | Type | Reset |
|------|--|------|-------|
| 31:8 | Reserved. | - | - |
| 7:0 | <p>Clear doorbells which have been posted to the opposite core. This register is intended for debugging and initialisation purposes.</p> <p>Writing 1 to a bit in DOORBELL_OUT_CLR clears the corresponding bit in DOORBELL_IN on the opposite core. Clearing all bits will cause that core's doorbell interrupt to deassert. Since the usual order of events is for software to send events using DOORBELL_OUT_SET, and acknowledge incoming events by writing to DOORBELL_IN_CLR, this register should be used with caution to avoid race conditions.</p> <p>Reading returns the status of the doorbells currently asserted on the other core, i.e. is equivalent to that core reading its own DOORBELL_IN status.</p> | WC | 0x00 |

SIO: DOORBELL_IN_SET Register

Offset: 0x188

Table 76.
DOORBELL_IN_SET
Register

| Bits | Description | Type | Reset |
|------|--|------|-------|
| 31:8 | Reserved. | - | - |
| 7:0 | Write 1s to trigger doorbell interrupts on this core. Read to get status of doorbells currently asserted on this core. | RW | 0x00 |

SIO: DOORBELL_IN_CLR Register

Offset: 0x18c

Table 77.
DOORBELL_IN_CLR
Register

| Bits | Description | Type | Reset |
|------|---|------|-------|
| 31:8 | Reserved. | - | - |
| 7:0 | <p>Check and acknowledge doorbells posted to this core. This core's doorbell interrupt is asserted when any bit in this register is 1.</p> <p>Write 1 to each bit to clear that bit. The doorbell interrupt deasserts once all bits are cleared. Read to get status of doorbells currently asserted on this core.</p> | WC | 0x00 |

SIO: PERI_NONSEC Register

Offset: 0x190

Description

Detach certain core-local peripherals from Secure SIO, and attach them to Non-secure SIO, so that Non-secure software can use them. Attempting to access one of these peripherals from the Secure SIO when it is attached to the Non-secure SIO, or vice versa, will generate a bus error.

This register is per-core, and is only present on the Secure SIO.

Most SIO hardware is duplicated across the Secure and Non-secure SIO, so is not listed in this register.

Table 78.
PERI_NONSEC
Register

| Bits | Description | Type | Reset |
|------|--|------|-------|
| 31:6 | Reserved. | - | - |
| 5 | TMDS: IF 1, detach TMDS encoder (of this core) from the Secure SIO, and attach to the Non-secure SIO. | RW | 0x0 |

| Bits | Description | Type | Reset |
|------|--|------|-------|
| 4:2 | Reserved. | - | - |
| 1 | INTERP1 : If 1, detach interpolator 1 (of this core) from the Secure SIO, and attach to the Non-secure SIO. | RW | 0x0 |
| 0 | INTERP0 : If 1, detach interpolator 0 (of this core) from the Secure SIO, and attach to the Non-secure SIO. | RW | 0x0 |

SIO: RISC_V_SOFTIRQ Register

Offset: 0x1a0

Description

Control the assertion of the standard software interrupt (MIP.MSIP) on the RISC-V cores.

Unlike the RISC-V timer, this interrupt is not routed to a normal system-level interrupt line, so can not be used by the Arm cores.

It is safe for both cores to write to this register on the same cycle. The set/clear effect is accumulated across both cores, and then applied. If a flag is both set and cleared on the same cycle, only the set takes effect.

Table 79.
RISC_V_SOFTIRQ
Register

| Bits | Description | Type | Reset |
|-------|---|------|-------|
| 31:10 | Reserved. | - | - |
| 9 | CORE1_CLR : Write 1 to atomically clear the core 1 software interrupt flag. Read to get the status of this flag. | RW | 0x0 |
| 8 | CORE0_CLR : Write 1 to atomically clear the core 0 software interrupt flag. Read to get the status of this flag. | RW | 0x0 |
| 7:2 | Reserved. | - | - |
| 1 | CORE1_SET : Write 1 to atomically set the core 1 software interrupt flag. Read to get the status of this flag. | RW | 0x0 |
| 0 | CORE0_SET : Write 1 to atomically set the core 0 software interrupt flag. Read to get the status of this flag. | RW | 0x0 |

SIO: MTIME_CTRL Register

Offset: 0x1a4

Description

Control register for the RISC-V 64-bit Machine-mode timer. This timer is only present in the Secure SIO, so is only accessible to an Arm core in Secure mode or a RISC-V core in Machine mode.

Note whilst this timer follows the RISC-V privileged specification, it is equally usable by the Arm cores. The interrupts are routed to normal system-level interrupt lines as well as to the MIP.MTIP inputs on the RISC-V cores.

Table 80.
MTIME_CTRL Register

| Bits | Description | Type | Reset |
|------|--|------|-------|
| 31:4 | Reserved. | - | - |
| 3 | DBGPAUSE_CORE1 : If 1, the timer pauses when core 1 is in the debug halt state. | RW | 0x1 |
| 2 | DBGPAUSE_CORE0 : If 1, the timer pauses when core 0 is in the debug halt state. | RW | 0x1 |
| 1 | FULLSPEED : If 1, increment the timer every cycle (i.e. run directly from the system clock), rather than incrementing on the system-level timer tick input. | RW | 0x0 |

| Bits | Description | Type | Reset |
|------|--|------|-------|
| 0 | EN: Timer enable bit. When 0, the timer will not increment automatically. | RW | 0x1 |

SIO: MTIME Register

Offset: 0x1b0

Table 81. MTIME Register

| Bits | Description | Type | Reset |
|------|--|------|------------|
| 31:0 | Read/write access to the high half of RISC-V Machine-mode timer. This register is shared between both cores. If both cores write on the same cycle, core 1 takes precedence. | RW | 0x00000000 |

SIO: MTIMEH Register

Offset: 0x1b4

Table 82. MTIMEH Register

| Bits | Description | Type | Reset |
|------|--|------|------------|
| 31:0 | Read/write access to the high half of RISC-V Machine-mode timer. This register is shared between both cores. If both cores write on the same cycle, core 1 takes precedence. | RW | 0x00000000 |

SIO: MTIMECMP Register

Offset: 0x1b8

Table 83. MTIMECMP Register

| Bits | Description | Type | Reset |
|------|---|------|------------|
| 31:0 | Low half of RISC-V Machine-mode timer comparator. This register is core-local, i.e., each core gets a copy of this register, with the comparison result routed to its own interrupt line. The timer interrupt is asserted whenever MTIME is greater than or equal to MTIMECMP. This comparison is unsigned, and performed on the full 64-bit values. | RW | 0xffffffff |

SIO: MTIMECMPH Register

Offset: 0x1bc

Table 84. MTIMECMPH Register

| Bits | Description | Type | Reset |
|------|---|------|------------|
| 31:0 | High half of RISC-V Machine-mode timer comparator. This register is core-local. The timer interrupt is asserted whenever MTIME is greater than or equal to MTIMECMP. This comparison is unsigned, and performed on the full 64-bit values. | RW | 0xffffffff |

SIO: TMDS_CTRL Register

Offset: 0x1c0

Description

Control register for TMDS encoder.

Table 85. TMDS_CTRL Register

| Bits | Description | Type | Reset |
|-------|--|------|-------|
| 31:29 | Reserved. | - | - |
| 28 | CLEAR_BALANCE : Clear the running DC balance state of the TMDS encoders. This bit should be written once at the beginning of each scanline. | SC | 0x0 |
| 27 | PIX2_NOSHIFT : When encoding two pixels's worth of symbols in one cycle (a read of a PEEK/POP_DOUBLE register), the second encoder sees a shifted version of the colour data register. This control disables that shift, so that both encoder layers see the same pixel data. This is used for pixel doubling. | RW | 0x0 |
| 26:24 | PIX_SHIFT : Shift applied to the colour data register with each read of a POP alias register. Reading from the POP_SINGLE register, or reading from the POP_DOUBLE register with PIX2_NOSHIFT set (for pixel doubling), shifts by the indicated amount. Reading from a POP_DOUBLE register when PIX2_NOSHIFT is clear will shift by double the indicated amount. (Shift by 32 means no shift.) | RW | 0x0 |
| | Enumerated values: | | |
| | 0x0 → 0: Do not shift the colour data register. | | |
| | 0x1 → 1: Shift the colour data register by 1 bit | | |
| | 0x2 → 2: Shift the colour data register by 2 bits | | |
| | 0x3 → 4: Shift the colour data register by 4 bits | | |
| | 0x4 → 8: Shift the colour data register by 8 bits | | |
| | 0x5 → 16: Shift the colour data register by 16 bits | | |
| 23 | INTERLEAVE : Enable lane interleaving for reads of PEEK_SINGLE/POP_SINGLE. When interleaving is disabled, each of the 3 symbols appears as a contiguous 10-bit field, with lane 0 being the least-significant and starting at bit 0 of the register. When interleaving is enabled, the symbols are packed into 5 chunks of 3 lanes times 2 bits (30 bits total). Each chunk contains two bits of a TMDS symbol per lane, with lane 0 being the least significant. | RW | 0x0 |
| 22:21 | Reserved. | - | - |
| 20:18 | L2_NBITS : Number of valid colour MSBs for lane 2 (1-8 bits, encoded as 0 through 7). Remaining LSBs are masked to 0 after the rotate. | RW | 0x0 |
| 17:15 | L1_NBITS : Number of valid colour MSBs for lane 1 (1-8 bits, encoded as 0 through 7). Remaining LSBs are masked to 0 after the rotate. | RW | 0x0 |
| 14:12 | L0_NBITS : Number of valid colour MSBs for lane 0 (1-8 bits, encoded as 0 through 7). Remaining LSBs are masked to 0 after the rotate. | RW | 0x0 |

| Bits | Description | Type | Reset |
|------|---|------|-------|
| 11:8 | <p>L2_ROT: Right-rotate the 16 LSBs of the colour accumulator by 0-15 bits, in order to get the MSB of the lane 2 (red) colour data aligned with the MSB of the 8-bit encoder input.</p> <p>For example, for RGB565 (red most significant), red is bits 15:11, so should be right-rotated by 8 bits to align with bits 7:3 of the encoder input.</p> | RW | 0x0 |
| 7:4 | <p>L1_ROT: Right-rotate the 16 LSBs of the colour accumulator by 0-15 bits, in order to get the MSB of the lane 1 (green) colour data aligned with the MSB of the 8-bit encoder input.</p> <p>For example, for RGB565, green is bits 10:5, so should be right-rotated by 3 bits to align with bits 7:2 of the encoder input.</p> | RW | 0x0 |
| 3:0 | <p>L0_ROT: Right-rotate the 16 LSBs of the colour accumulator by 0-15 bits, in order to get the MSB of the lane 0 (blue) colour data aligned with the MSB of the 8-bit encoder input.</p> <p>For example, for RGB565 (red most significant), blue is bits 4:0, so should be right-rotated by 13 to align with bits 7:3 of the encoder input.</p> | RW | 0x0 |

SIO: TMDS_WDATA Register

Offset: 0x1c4

Table 86.
TMDS_WDATA
Register

| Bits | Description | Type | Reset |
|------|---|------|------------|
| 31:0 | Write-only access to the TMDS colour data register. | WO | 0x00000000 |

SIO: TMDS_PEEK_SINGLE Register

Offset: 0x1c8

Table 87.
TMDS_PEEK_SINGLE
Register

| Bits | Description | Type | Reset |
|------|---|------|------------|
| 31:0 | <p>Get the encoding of one pixel's worth of colour data, packed into a 32-bit value (3x10-bit symbols).</p> <p>The PEEK alias does not shift the colour register when read, but still advances the running DC balance state of each encoder. This is useful for pixel doubling.</p> | RF | 0x00000000 |

SIO: TMDS_POP_SINGLE Register

Offset: 0x1cc

Table 88.
TMDS_POP_SINGLE
Register

| Bits | Description | Type | Reset |
|------|--|------|------------|
| 31:0 | <p>Get the encoding of one pixel's worth of colour data, packed into a 32-bit value. The packing is 5 chunks of 3 lanes times 2 bits (30 bits total). Each chunk contains two bits of a TMDS symbol per lane. This format is intended for shifting out with the HSTX peripheral on RP2350.</p> <p>The POP alias shifts the colour register when read, as well as advancing the running DC balance state of each encoder.</p> | RF | 0x00000000 |

SIO: TMDS_PEEK_DOUBLE_L0 Register

Offset: 0x1d0

Table 89.
TMDS_PEEK_DOUBLE_...
L0 Register

| Bits | Description | Type | Reset |
|------|--|------|------------|
| 31:0 | <p>Get lane 0 of the encoding of two pixels' worth of colour data. Two 10-bit TMDS symbols are packed at the bottom of a 32-bit word.</p> <p>The PEEK alias does not shift the colour register when read, but still advances the lane 0 DC balance state. This is useful if all 3 lanes' worth of encode are to be read at once, rather than processing the entire scanline for one lane before moving to the next lane.</p> | RF | 0x00000000 |

SIO: TMDS_POP_DOUBLE_L0 Register

Offset: 0x1d4

Table 90.
TMDS_POP_DOUBLE_L...
0 Register

| Bits | Description | Type | Reset |
|------|---|------|------------|
| 31:0 | <p>Get lane 0 of the encoding of two pixels' worth of colour data. Two 10-bit TMDS symbols are packed at the bottom of a 32-bit word.</p> <p>The POP alias shifts the colour register when read, according to the values of PIX_SHIFT and PIX2_NOSHIFT.</p> | RF | 0x00000000 |

SIO: TMDS_PEEK_DOUBLE_L1 Register

Offset: 0x1d8

Table 91.
TMDS_PEEK_DOUBLE_...
L1 Register

| Bits | Description | Type | Reset |
|------|--|------|------------|
| 31:0 | <p>Get lane 1 of the encoding of two pixels' worth of colour data. Two 10-bit TMDS symbols are packed at the bottom of a 32-bit word.</p> <p>The PEEK alias does not shift the colour register when read, but still advances the lane 1 DC balance state. This is useful if all 3 lanes' worth of encode are to be read at once, rather than processing the entire scanline for one lane before moving to the next lane.</p> | RF | 0x00000000 |

SIO: TMDS_POP_DOUBLE_L1 Register

Offset: 0x1dc

Table 92.
TMDS_POP_DOUBLE_L
1 Register

| Bits | Description | Type | Reset |
|------|--|------|------------|
| 31:0 | Get lane 1 of the encoding of two pixels' worth of colour data. Two 10-bit TMDS symbols are packed at the bottom of a 32-bit word. The POP alias shifts the colour register when read, according to the values of PIX_SHIFT and PIX2_NOSHIFT. | RF | 0x00000000 |

SIO: TMDS_PEEK_DOUBLE_L2 Register

Offset: 0x1e0

Table 93.
TMDS_PEEK_DOUBLE_L
2 Register

| Bits | Description | Type | Reset |
|------|---|------|------------|
| 31:0 | Get lane 2 of the encoding of two pixels' worth of colour data. Two 10-bit TMDS symbols are packed at the bottom of a 32-bit word. The PEEK alias does not shift the colour register when read, but still advances the lane 2 DC balance state. This is useful if all 3 lanes' worth of encode are to be read at once, rather than processing the entire scanline for one lane before moving to the next lane. | RF | 0x00000000 |

SIO: TMDS_POP_DOUBLE_L2 Register

Offset: 0x1e4

Table 94.
TMDS_POP_DOUBLE_L
2 Register

| Bits | Description | Type | Reset |
|------|--|------|------------|
| 31:0 | Get lane 2 of the encoding of two pixels' worth of colour data. Two 10-bit TMDS symbols are packed at the bottom of a 32-bit word. The POP alias shifts the colour register when read, according to the values of PIX_SHIFT and PIX2_NOSHIFT. | RF | 0x00000000 |

3.2. Interrupts

Each core is equipped with an internal interrupt controller, with 52 interrupt inputs. For the most part each core has exactly the same interrupts routed to it, though there are some exceptions, referred to as *core-local interrupts*, where there is an individual per-core interrupt source mapped to the same interrupt number on each core:

- Cross-core FIFO interrupts: [SIO_IRQ_FIFO](#) and [SIO_IRQ_FIFO_NS](#) (Section 3.1.5)
- Cross-core doorbell interrupts: [SIO_IRQ_BELL](#) and [SIO_IRQ_BELL_NS](#) (Section 3.1.6)
- RISC-V platform timer (also usable by Arm cores): [SIO_IRQ_MTIMECMP](#) (Section 3.1.8)
- GPIO interrupts: [IO_IRQ_BANK0](#), [IO_IRQ_BANK0_NS](#), [IO_IRQ_QSPI](#), [IO_IRQ_QSPI_NS](#) (Section 9.5)

The remaining interrupt inputs have the same interrupt source mirrored identically on both cores. Non-core-local interrupts should only be enabled in the interrupt controller of a single core at a time, and will be serviced by the core whose interrupt controller they are enabled in.

Table 95. System-level
interrupt numbering.
All interrupts are
routed to both
processors.

| IRQ | Interrupt Source | IRQ | Interrupt Source | IRQ | Interrupt Source | IRQ | Interrupt Source | IRQ | Interrupt Source |
|-----|------------------|-----|------------------|-----|------------------|-----|------------------|-----|------------------|
| 0 | TIMER0_IRQ_0 | 11 | DMA_IRQ_1 | 22 | IO_IRQ_BANK0_NS | 33 | UART0_IRQ | 44 | POWMAN_IRQ_POW |
| 1 | TIMER0_IRQ_1 | 12 | DMA_IRQ_2 | 23 | IO_IRQ_QSPI | 34 | UART1_IRQ | 45 | POWMAN_IRQ_TIMER |
| 2 | TIMER0_IRQ_2 | 13 | DMA_IRQ_3 | 24 | IO_IRQ_QSPI_NS | 35 | ADC_IRQ_FIFO | 46 | SPAREIRQ_IRQ_0 |

| IRQ | Interrupt Source | IRQ | Interrupt Source | IRQ | Interrupt Source | IRQ | Interrupt Source | IRQ | Interrupt Source |
|-----|------------------|-----|------------------|-----|------------------|-----|------------------|-----|------------------|
| 3 | TIMER0_IRQ_3 | 14 | USBCTRL_IRQ | 25 | SIO_IRQ_FIFO | 36 | I2C0_IRQ | 47 | SPAREIRQ_IRQ_1 |
| 4 | TIMER1_IRQ_0 | 15 | PIO0_IRQ_0 | 26 | SIO_IRQ_BELL | 37 | I2C1_IRQ | 48 | SPAREIRQ_IRQ_2 |
| 5 | TIMER1_IRQ_1 | 16 | PIO0_IRQ_1 | 27 | SIO_IRQ_FIFO_NS | 38 | OTP_IRQ | 49 | SPAREIRQ_IRQ_3 |
| 6 | TIMER1_IRQ_2 | 17 | PIO1_IRQ_0 | 28 | SIO_IRQ_BELL_NS | 39 | TRNG_IRQ | 50 | SPAREIRQ_IRQ_4 |
| 7 | TIMER1_IRQ_3 | 18 | PIO1_IRQ_1 | 29 | SIO_IRQ_MTIMECMP | 40 | PROC0_IRQ_CTI | 51 | SPAREIRQ_IRQ_5 |
| 8 | PWM_IRQ_WRAP_0 | 19 | PIO2_IRQ_0 | 30 | CLOCKS_IRQ | 41 | PROC1_IRQ_CTI | | |
| 9 | PWM_IRQ_WRAP_1 | 20 | PIO2_IRQ_1 | 31 | SPI0_IRQ | 42 | PLL_SYS_IRQ | | |
| 10 | DMA_IRQ_0 | 21 | IO_IRQ_BANK0 | 32 | SPI1_IRQ | 43 | PLL_USB_IRQ | | |

On RP2350, only the lower 46 IRQ signals are connected to system-level interrupt sources, and IRQs 46 to 51 are hardwired to zero (never firing). These six spare interrupts, referred to as `SPAREIRQ_IRQ_0` through `SPAREIRQ_IRQ_5` in the table, are deliberately reserved for the cores to interrupt themselves (via the Arm `NVIC_ISPRO` registers or the Hazard3 `MEIFA` CSR), for example, when an interrupt handler wants to schedule a "bottom half" handler for work that must be done after exiting the interrupt handler, but before returning to the code running in the foreground.

Nested interrupts are supported in hardware: a lower-priority interrupt can be pre-empted by a higher-priority interrupt or fault, and will resume once the higher-priority handler returns. The pre-emption priority order is determined by the interrupt priority registers starting from `NVIC_IPRO` (Cortex-M33) or the `MEIPRA` interrupt priority array CSR (Hazard3).

When there is a choice of multiple interrupts to be entered at the same dynamic priority, the interrupt with the lowest IRQ number is chosen as a tie-breaker. The system-level IRQ numbering has been chosen to generally put higher-priority interrupts at lower IRQ numbers for this reason, though the true priority is often dependent on the specific application.

3.2.1. Non-maskable interrupt (NMI)

The system IRQ signals can be routed to the Cortex-M33 non-maskable interrupt (NMI) input, by setting the bit for that IRQ number in `NMI_MASK0` or `NMI_MASK1`. The non-maskable interrupt ignores the processor's interrupt enable/disable state (`PRIMASK`), and can pre-empt any other active interrupt. NMIs are generally used for emergent circumstances that require the processor's unconditional attention, such as loss of PLL lock or power supply integrity.

The NMI mask registers are core-local, so each core can have a different combination of interrupts routed to its NMI input. The NMI mask, along with all other EPPB registers, is reset by a warm reset of that core. This avoids an issue on RP2040 where the NMI mask could be left set following a processor reset.

In addition to system-level interrupts, the non-maskable interrupt is asserted when an integrity check is failed in the redundancy coprocessor (RCP, [Section 3.6.3](#)). This behaviour cannot be disabled, but a correctly-programmed RCP does not trigger under normal voltage, frequency, and temperature conditions. Likewise, if user code does not execute any RCP instructions, the RCP will never trigger. The RCP NMI output is asserted on both cores when an integrity check fails, and is de-asserted by a warm processor reset.

3.2.2. Further reading on interrupts

This section describes the routing of system-level interrupt requests to the processor subsystem. It omits important details such as the processor's response to receiving an interrupt, and how processors choose which system-level interrupt requests to subscribe to. The following is a selection of relevant information for these topics:

- [Section 3.7.2.5](#) describes the Cortex-M33's internal interrupt controller, the NVIC
- Register listings starting from `NVIC_ISERO` describe controls for NVIC operation
- [Section 3.7.4.6](#) is an overview of Cortex-M33 exception handling

- The [Armv8-M Architecture Reference Manual](#) describes detailed architecture rules for exception handling
- [Section 3.8.4](#) describes standard RISC-V trap handling
- [Section 3.8.4.2](#) describes the standard RISC-V external, timer and software interrupt requests, and how they are connected on RP2350
- [Section 3.8.6.1](#) describes the Xh3irq interrupt controller, which provides priority-controlled interrupt support for the system-level interrupts on Hazard3
- Each peripheral has its own interrupt registers which control the assertion of its system-level interrupts listed in [Table 95](#) – see peripheral documentation for more information

3.3. Event signals (Arm)

Using the [WFE](#) instruction, the Cortex-M33 can enter a sleep state until an "event" (or interrupt) takes place. It can also generate events using the [SEV](#) instruction. RP2350 cross-wires event signals between the two processors: an event sent by one processor will be received on the other.

i NOTE

The event flag is "sticky": if both processors send an event ([SEV](#)) simultaneously, then enter the sleep state ([WFE](#)), they will both wake immediately. This prevents the processors from getting stuck in a sleep state in this scenario.

Processors also receive an event signal from the global monitor if their reservation is lost due to a write by a different master, in accordance with Armv8-M architecture requirements.

While in a [WFE](#) (or [WFI](#)) sleep state, the processor shuts off its internal clock gates to reduce power consumption. When **both** processors are in a sleep state and the DMA is inactive, all of RP2350 can enter a sleep state, disabling clocks on unused infrastructure such as the bus fabric. The rest of RP2350 wakes automatically when either of the processors wakes. See [Section 6.5.2](#).

3.4. Event signals (RISC-V)

The Hazard3 [h3.block](#) instruction halts processor execution until an unblock signal is received. The [h3.unblock](#) instruction sends an unblock signal to other processors. These NOP-compatible hint instructions are documented in [Section 3.8.6.3](#).

On RP2350 the Hazard3 unblock in/out signals are cross-connected between the two processors, and each processor's unblock output is also fed back into its input. The global monitor also posts an unblock signal to each core when that core loses a reservation due to an access by another core or the system DMA.

The Hazard3 [MSLEEP](#) CSR defines how deep a sleep the processor will enter when executing a [h3.block](#) instruction. By default this is a simple pipeline stall, but the processor can also gate its own clock and negotiate the system-level clock wake/sleep state with the clocks block ([Section 6.5.2](#)).

The [h3.unblock](#) instruction is "sticky": an [h3.block](#) will fall through immediately if any unblock signal has been received since the last time the processor executed an [h3.block](#) instruction.

3.5. Debug

The Serial Wire Debug (SWD) bus provides access to hardware and software debug features including:

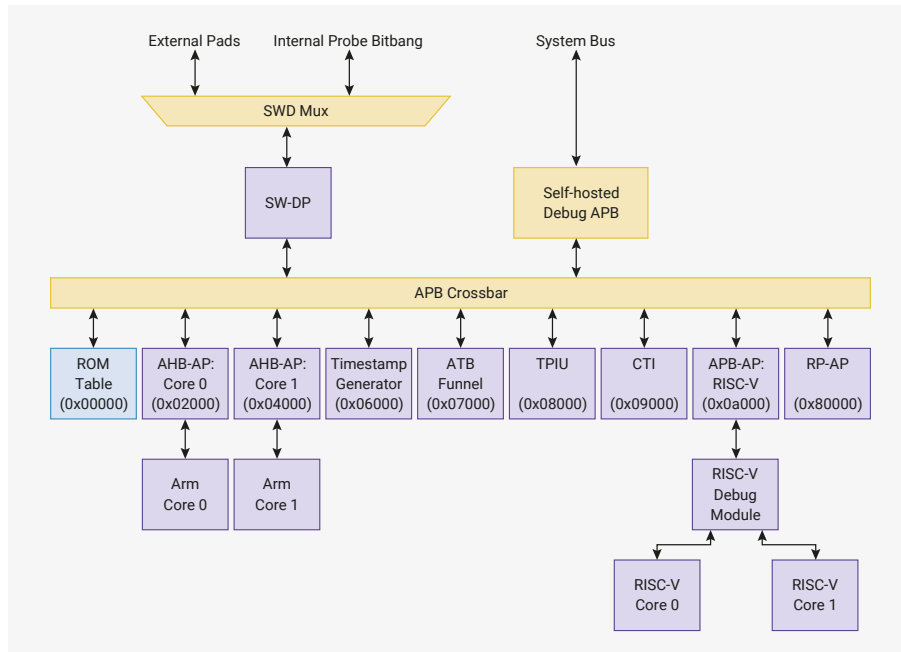
- Loading firmware into SRAM or external flash memory

- Control of processor execution: run/halt, step, set breakpoints, other standard debug functionality
- Access to processor architectural state
- Access to memory and memory-mapped IO via the system bus
- Configuring the CoreSight trace hardware (Arm processors only)

The SWD bus is exposed on two dedicated pins, SWCLK and SWDIO. See Table 1430 for the pin definitions for SWCLK and SWDIO, and see Table 1440 for additional information on their specifications.

A single SW-DP provides access to RP2350’s debug subsystem from the external SWCLK and SWDIO pins. The DP is multidrop-capable, but use of multidrop SWD is not mandatory. All hardware in the debug subsystem, with the exception of the RP-AP, can also be accessed directly from the system bus using the self-hosted debug window starting at CORESIGHT_PERIPH_BASE.

Figure 10. RP2350 debug topology. An SW-DP connects the external SWD pins to internal debug hardware. The ROM table lists debug components, for automatic discovery. AHB-APs provide debug access to Arm processors, and an APB-AP provides access to a standard RISC-V Debug Module. The RP-AP provides Raspberry-Pi-specific controls such as rescue reset and debug key entry. Remaining components are for Arm trace.



The numbers in brackets in Figure 10 are the addresses of the debug components within the debug address space. These correspond to values written to the SW-DP SELECT register for SWD accesses, or offsets from CORESIGHT_PERIPH_BASE for self-hosted debug access. All APs are accessible through the SW-DP, and all except the RP-AP are also accessible through self-hosted debug.

The SW-DP and RP-AP are in the always-on power domain, and are available once external power is applied and the power-on reset (POR) time has elapsed. All other APs in Figure 10 are available only once:

1. the power manager (POWMAN) has sequenced the first power up of the switched core domain
2. the OTP PSM has read critical hardware configuration flags from OTP
3. the system clock (clk_sys) is running

3.5.1. Connecting to the SW-DP

The SW-DP defaults to the Dormant state at power-up or assertion of the external reset (RUN) pin. A Dormant-to-SWD sequence must be issued before beginning SWD operations. See the Arm Debug Interface specification, version 6, for details of Dormant/SWD state switching: <https://developer.arm.com/documentation/ih0074/latest/>

After a power-on, the following sequence can be used to connect to the SW-DP:

1. At least 8 × SWCLK cycles with SWDIO high.

2. The 128-bit Selection Alert sequence: `0x19bc0ea2, 0xe3ddafe9, 0x86852d95, 0x6209f392`, LSB-first.
3. Four SWCLK cycles with SWDIO low.
4. SWD activation code sequence : `0x1a`, LSB first.
5. At least 50 × SWCLK cycles with SWDIO high (line reset).
6. A DPIDR read to exit the Reset state

In order to wake up the system from a low power (P1.x) state, set the CDBGPWRUPREQ in the DP CTRL/STAT register, then poll CDBGPWRUPACK in the same register until set. In low-power states, only the SW-DP and RP-AP are accessible, as the remaining debug logic is unpowered.

3.5.2. Arm debug

There are two AHB5 Mem-APs, at offsets `0x02000` and `0x04000` in the debug address space, which are used to debug the two Arm Cortex-M33 processors. Each Mem-AP is an AHB5 manager which accesses a 32-bit downstream address space. This is the same address space accessed by a processor's load/store instructions, which includes system-level hardware such as memory and peripherals, and processor-internal hardware on the processor's private peripheral bus (PPB). Certain PPB registers are visible only when accessed from the Mem-AP, not when accessed by software running on the processor.

The AHB5 Mem-AP's own register map is defined in Arm's AArch64 specification. Generally this is only of interest to those implementing their own debug translator, and the Mem-AP can be thought of simply as a bridge between a DP (such as RP2350's SW-DP) and a downstream address space.

The standard Arm debug registers used to debug software running on the Cortex-M33 can be found documented in the [Armv8-M Architecture Reference Manual](#), or the Cortex-M33 Technical Reference Manual, available from Arm Ltd. This datasheet also documents the core's internal registers in [Section 3.7.5](#).

The Mem-APs can access system peripherals and memory at exactly the same addresses they would be accessed by software running on the processor. However, the privilege and security of Mem-AP accesses may be different from the security state of the software running on the processor at the point it halted: the privilege and security of Mem-AP accesses is configured explicitly via its control and status word (CSW) register. Care must be taken when debugging Non-secure software which accesses the SIO, for example, because by default the debugger may access the Secure alias of the SIO, not the Non-secure alias which software will have been accessing.

The bus filters configured by the ACCESSCTRL bus access permission registers ([Section 10.6.2](#)) treat bus accesses originating from the Mem-APs as distinct from bus accesses originating from software running on the processor. This means it is possible to lock software out from a peripheral, whilst still allowing debugger access.

3.5.3. RISC-V debug

There is a single APB Mem-AP, at offset `0x0a000` in the debug address space, which provides access only to the RISC-V Debug Module (DM). The DM is a standard component which the debugger uses to enumerate RISC-V harts present in the system, debug software running on each hart, and access the system bus. It is defined in the RISC-V debug specification, of which RP2350 implements version 0.13.2.

From the point of view of the RISC-V debug specification, the SW-DP and APB Mem-AP function jointly as the Debug Transport Module for this system. The DM is located at offset `0x0` in the APB-AP's downstream address space, and the registers are word-sized and byte-addressed, meaning the DM register addresses in the debug specification must be multiplied by 4 to get the correct APB address.

On RP2350, each core possesses exactly one hardware thread (hart). Core 0 has a hart ID of 0, and core 1 has a hart ID of 1. These hart IDs match the hart index used in the DM. This DM is also equipped with the hart array mask select extension, which allows multiple cores to be reset/halted/resumed simultaneously.

The DM is equipped with the System Bus Access (SBA) extension, which allows the debugger to access the system bus without halting either core. This can be used for minimally intrusive debug techniques like Segger RTT. SBA accesses

arbitrate with core 1's load/store port to access the system bus, but they are treated as distinct from core 1's accesses for the purpose of bus filtering (Section 10.6.2), which means it is possible to lock software out of a peripheral whilst retaining debug access. Processor load/stores in Debug mode are also treated as debug accesses for the purpose of bus filtering.

The DM is able to reset each core individually using the `dmcontrol.hartreset` control. This resets *only* the selected processor. The `dmcontrol.ndmreset` resets both processors *only*, which is the minimum requirement in the RISC-V debug specification. A full system reset, which includes the DM, can be performed using the `SYSRESETREQ` control in the SW-DP, a switched core domain reset configured in POWMAN and initiated by the watchdog, or any full-system reset such as the RUN pin. A PSM reset initiated by the watchdog can reset almost all system-level hardware except for the DM, but note that the DM becomes momentarily inaccessible whilst the system clock's clock generator is reset, which is the reason for `dmcontrol.ndmreset` resetting the processors only.

For details on the processor side of RISC-V debug, see Section 3.8.5. See also the Hazard3 source code at github.com/Wren6991/Hazard3, which includes the DM implementation under the `hdl/debug/dm/` directory.

3.5.4. Debug power domains

The SW-DP and the RP-AP are in the always-on power domain. This means they are available even when the system is in its lowest-power state, with the switched core domain (which includes the processors) fully powered down.

The remainder of the debug hardware is in the switched core domain. This is the same domain as the processors and system peripherals.

Setting the `CDBGPWRUPREQ` bit in the SW-DP's CTRL/STAT register will force a power up of the switched core domain, making the remaining debug hardware available. This power up takes some time, as it is sequenced by the 32 kHz low-power oscillator (Section 8.4), so the `CDBGPWRUPACK` bit must be polled to wait for the system to power up before attempting to access any APs other than the RP-AP. See Arm's ADIv6 specification for the SW-DP's register listing.

Note that the RP-AP is accessible without asserting `CDBGPWRUPREQ`, as it is always powered.

3.5.5. Software control of SWD pins

The `DBGFORCE` register in SYSCFG can be used to detach the SW-DP from the external debug pads, and instead bitbang the internal SWD signals directly from software. This is intended for a debug probe running on one core being used to debug the other core. For other use cases it is generally cleaner to use the self-hosted debug access to interface with the APs directly from the system bus.

3.5.6. Self-hosted debug

All APs shown in Figure 10, except for the RP-AP, have direct memory-mapped access from the system bus. This is known as self-hosted debug, because with care it allows running a debug host (i.e. a debugger) directly on-system. It can also be used to access the trace hardware, which can be used for self-hosted trace using the trace DMA FIFO. By default only Secure access is permitted, as the processor debug presents an opportunity for Non-secure code to interfere with the Secure context and/or perform Secure bus accesses.

The self-hosted debug window starts at address `0x40140000` (`CORESIGHT_PERIPH_BASE`). The offsets of the APs within this window are the same as the APs' addresses when accessed from the SW-DP.

Because of the blocking nature of the AHB-AP's DRW register, and its interactions with the Cortex-M33's arbitration of AHB-AP accesses with load/stores, certain accesses have potential to cause bus lockup due to circular bus stall dependencies. In particular, cores may not access their own AHB-APs through the self-hosted debug window, and AHB-APs may not access AHB-APs through the self-hosted debug window – attempting to do so will immediately return a bus fault. To reduce the opportunities for deadlock, a full APB crossbar is used to connect the SW-DP and the self-hosted debug port to the APs, so that for example self-hosted use of the Arm trace hardware will not interfere with an external debugger attaching via the AHB-APs.

There are some cases where a bus deadlock can not be avoided, such as a core using the other core's AHB-AP, via the self-hosted debug window, to access some other APB peripheral:

1. The access upstream of the APB's DRW register will not complete until the downstream access completes
2. The downstream access will not complete until it is granted access to the system APB bridge
3. Access to the APB bridge will not be granted until the upstream access, which is occupying the system APB bridge, completes
4. See point 1.

This situation can arise when running a self-hosted debugger on one core, and debugging code on the other core which accesses APB addresses. The deadlock is eventually broken when the APB bridge's 65536-cycle timeout expires, abandoning the transfer and returning a bus error to the origin of the upstream access. To avoid this, software should detect when it is about to use an AP to access an APB address (an address starting with `0x4`), and perform the access directly instead of using the Mem-AP.

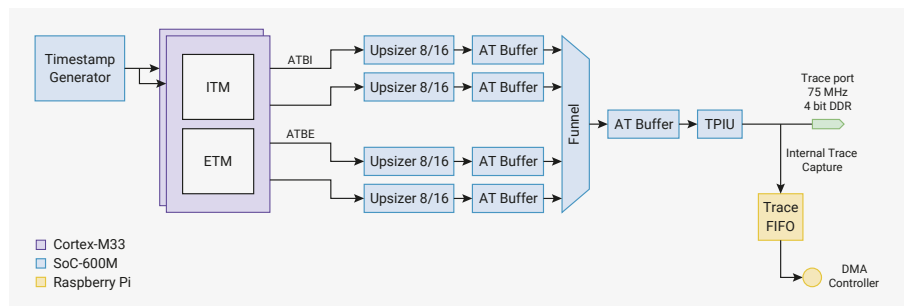
This type of deadlock does not occur when the debugger accesses the bus with RISC-V System Bus Access, because the bus transfer upstream of the DM does not block on completion of the downstream access.

3.5.7. Trace

3.5.7.1. Overview

The ATB trace subsystem is based on the Coresight SoC-600M architecture, as shown in [Figure 11](#).

Figure 11. Trace Subsystem



The trace subsystem captures trace messages from each of the Cortex-M33 ITM/ETM components, merges them into a single trace bus, and sends off-chip through the 4-bit DDR trace port for subsequent capture and analysis by a trace port analyser.

This allows the developer to review a detailed log of software executed on the processors. The advantage over conventional hardware debug is that it does this without halting the processors or affecting their execution timing, so you can diagnose software issues that are hard to reproduce under a debugger.

The trace subsystem comprises the following main components:

- **Timestamp Generator:** Timestamps propagate to both Cortex-M33 processors, and are applied to ETM and ITM output so that the relative timing of their trace streams can be recovered.
- **Cortex-M33 ETM:** Embedded Trace Macrocell, for real-time instruction flow messages generated from observations of the Cortex-M33's execution.
- **Cortex-M33 ITM:** Instruction Trace Macrocell, for software-generated messages.
- **ATB Funnel:** Merges the Cortex-M33 trace sources into a single trace stream using the timestamps from the Timestamp Generator.
- **TPIU:** Trace Port Interface Unit, outputs trace data over trace port pins. The source-synchronous trace interface is 4-bits DDR, up to 75 MHz clock, giving a maximum trace data rate of up to 600 Mb/s.

- Trace FIFO: Optionally captures the 32-bit TPIU trace stream on-device, from which point the DMA can transfer to main system SRAM.

See the [Arm CoreSight ETM-M33 Technical Reference Manual](#) for information about the Cortex-M33 ETM. See the [SoC-600M Technical Reference Manual](#) for information about the other trace components in [Figure 11](#)

The trace output clock is fixed at one half of `clk_sys`. At the maximum system frequency of 150 MHz this yields a 75 MHz TPIU output clock. The trace throughput is reduced at lower system clock frequencies, though this is rarely an issue in practice as the processor instruction throughput (and therefore the demand for trace output bandwidth) scales accordingly.

3.5.7.2. Trace FIFO

Trace output goes to one of two data sinks:

- The four-bit TPIU interface streams data out of the chip through GPIOs, for capture by an external probe
- The trace FIFO streams data into SRAM via the system DMA

The bandwidth of the DMA is greater than the bandwidth of the TPIU interface. Capturing into an on-chip buffer also allows trace to operate through a comparatively low-speed SWD probe without restricting trace bandwidth.

The operation is similar to a micro-trace buffer (MTB). However, all of system SRAM is available for trace. You can also use other DMA endpoints like the PIO and HSTX to implement your own trace data sinks, for example if you would prefer a wider and lower-frequency bus than the TPIU provides.

You must enable DMA access to the trace FIFO registers by setting the `DMA` bit in the `ACCESSCTRL CORESIGHT_TRACE` register before attempting to DMA from this FIFO. Configure the DMA for DREQ 53 to select the trace FIFO.

3.5.7.3. List of trace FIFO registers

The trace FIFO registers start at a base address of `0x50700000` (defined as `CORESIGHT_TRACE_BASE` in the SDK).

Table 96. List of `CORESIGHT_TRACE` registers

| Offset | Name | Info |
|--------|------------------------------------|--|
| 0x0 | CTRL_STATUS | Control and status register |
| 0x4 | TRACE_CAPTURE_FIFO | FIFO for trace data captured from the TPIU |

CORESIGHT_TRACE: CTRL_STATUS Register

Offset: 0x0

Description

Control and status register

Table 97. `CTRL_STATUS` Register

| Bits | Description | Type | Reset |
|------|---|------|-------|
| 31:2 | Reserved. | - | - |
| 1 | TRACE_CAPTURE_FIFO_OVERFLOW: This status flag is set high when trace data has been dropped due to the FIFO being full at the point trace data was sampled. Write 1 to acknowledge and clear the bit. | RW | 0x0 |

| Bits | Description | Type | Reset |
|------|---|------|-------|
| 0 | <p>TRACE_CAPTURE_FIFO_FLUSH: Set to 1 to continuously hold the trace FIFO in a flushed state and prevent overflow.</p> <p>Before clearing this flag, configure and start a DMA channel with the correct DREQ for the TRACE_CAPTURE_FIFO register.</p> <p>Clear this flag to begin sampling trace data, and set once again once the trace capture buffer is full. You must configure the TPIU in order to generate trace packets to be captured, as well as components like the ETM further upstream to generate the event stream propagated to the TPIU.</p> | RW | 0x1 |

CORESIGHT_TRACE: TRACE_CAPTURE_FIFO Register

Offset: 0x4

Description

FIFO for trace data captured from the TPIU

Table 98.
TRACE_CAPTURE_FIFO Register

| Bits | Description | Type | Reset |
|------|---|------|------------|
| 31:0 | <p>RDATA: Read from an 8 x 32-bit FIFO containing trace data captured from the TPIU.</p> <p>Hardware pushes to the FIFO on rising edges of clk_sys, when either of the following is true:</p> <ul style="list-style-type: none"> * TPIU TRACECTL output is low (normal trace data) * TPIU TRACETCL output is high, and TPIU TRACEDATA0 and TRACEDATA1 are both low (trigger packet) <p>These conditions are in accordance with Arm Coresight Architecture Spec v3.0 section D3.3.3: Decoding requirements for Trace Capture Devices</p> <p>The data captured into the FIFO is the full 32-bit TRACEDATA bus output by the TPIU. Note that the TPIU is a DDR output at half of clk_sys, therefore this interface can capture the full 32-bit TPIU DDR output bandwidth as it samples once per active edge of the TPIU output clock.</p> | RF | 0x00000000 |

3.5.8. Rescue reset

A rescue reset is a full system reset, similar to asserting the RUN pin low, which also sets a flag telling the bootrom to halt before running any user software. This is performed over the SWD bus using the RP-AP, and can be performed even when system clocks are stopped and the switched core power domain is powered down. This is used in the case where the chip has locked up, for example if code has been programmed into flash which permanently halts the system clock: since the debugger can no longer communicate with the processors to return the system to a working state, more drastic action is needed. This functionality was provided by the Rescue DP on RP2040, but on RP2350 it is provided by the RP-AP, to avoid mandatory use of multidrop SWD.

A rescue is invoked by setting and then clearing the CTRL.RESCUE_RESTART bit in the RP-AP. This causes a hard reset of the chip, and sets CHIP_RESET.RESCUE_FLAG to indicate that a rescue reset took place. The bootrom checks this flag almost immediately in the initial boot process (before watchdog, flash or USB boot), acknowledges by clearing the bit, then halts the processor. This leaves the system in a safe state, with the system clock running, so that the debugger can reattach to the cores and load fresh code.

3.5.9. Security

By default, the SWD debug access port allows an external debugger to access all system memory and peripherals, and to observe and change the execution of software running on the processors. If boot signature enforcement is enabled (Section 10.1.1), debug access becomes a security concern, as it is able to sidestep this protection. To account for this, RP2350 supports progressively locking down the debug port using configuration in on-chip OTP storage.

Conceptually there are two control bits: debug disable, and secure debug disable. Debug disable is intended to completely cut off debug access to the processors and the system bus, whilst the secure debug disable forbids Secure bus accesses, and halting of processors in the Secure state, but still allows Non-secure software to be debugged as normal. There are two ways to set these control bits:

- Setting the relevant OTP critical flag: `CRIT1.DEBUG_DISABLE` or `CRIT1.SECURE_DEBUG_DISABLE` to set the debug disable or secure debug disable, respectively
- Installing a 128-bit fixed debug key as OTP key 5 or 6 (Section 3.5.9.2)

OTP configuration changes take effect at the next reset of the OTP block.

Once debug has been disabled, software can re-enable debug using the OTP `DEBUGEN` register, which allows the secure and overall debug enable to be cleared individually for each processor. For example, Secure software may implement a shell where users can authenticate using a cryptographic challenge to enable debug on systems where it is disabled by default. The `DEBUGEN` register belongs to the processor cold reset domain, so it is preserved over a PSM reset starting from as early as OTP (the second PSM stage). This allows almost a full system reset without losing debug access.

To avoid accidental writes of the `DEBUGEN` register, its bits can be individually locked using the matching bits in `DEBUGEN_LOCK`.

This offers increasing levels of debug protection:

1. Fully open: no keys installed and no OTP debug disable flags are set. This is the most convenient configuration for product development.
2. Access with key only: at least one key is installed, but no OTP debug disable flags are set.
3. No access even with key (an OTP debug disable flag is set), but Secure code can enable debug access by writing to `DEBUGEN`.
4. No access even with key (an OTP debug disable flag is set), and `DEBUGEN` is locked by `DEBUGEN_LOCK`.

3.5.9.1. Effects of debug disables

The secure debug disable flag (`CRIT1.SECURE_DEBUG_DISABLE`) has the following effects:

- Set Secure AP enable signals for Arm core 0 and core 1 AHB-APs to 0.
 - This prevents the APs from performing Secure bus accesses (including to the PPB).
 - Status is reported in the `SDeviceEn` flag of the AHB-AP `CSW` register.
- Set the Cortex-M33 `SPIDEN` and `SPNIDEN` signals for both cores to 0.
 - This prevents the cores from being halted or traced whilst in the Secure state.
- Disable the factory test JTAG interface (Section 10.10).

i NOTE

Both AHB-APs' `CSW.HNONSEC` bits default to 0, generating Secure bus accesses. If the secure debug disable flag is set, these bits must be set to 1 to generate Non-Secure bus accesses.

The debug disable flag (`CRIT1.DEBUG_DISABLE`) has all of the effects of the secure debug disable flag. It also has the following additional effects:

- Set AP enable signals for Arm core 0 and core 1 AHB-APs to 0.
 - This prevents the APs from performing any bus accesses at all (including to the PPB).
 - Status is reported in the `DeviceEn` flag of the AHB-AP `CSW` register.
- Set AP enable signal for RISC-V DM APB-AP to 0.
 - This prevents the AP from accessing the RISC-V Debug Module.
 - Status is reported in the `DeviceEn` flag of the APB-AP `CSW` register.
- Set `DBGEN` and `NIDEN` signals for the CTI to 0.

On RISC-V `CRIT1.SECURE_DEBUG_DISABLE` has no useful effect. Debug-mode accesses from the cores always have Secure and Privileged bus attributes, except when reduced by `FORCE_CORE_NS`. Likewise, System Bus Access via the Debug Module is always Secure and Privileged, unless `FORCE_CORE_NS.CORE1` is set, in which case it is Non-secure and Privileged. Use the `CRIT1.DEBUG_DISABLE` flag on RISC-V.

3.5.9.2. Debug keys

[Section 13.5.2](#) describes the OTP hardware access keys. Hardware reads OTP access keys into hidden registers as part of the OTP power-up sequence which takes place after an OTP reset, and the corresponding OTP locations then become inaccessible. OTP keys 5 and 6 are special in that they control access to the SWD debug hardware in addition to functioning as normal OTP page keys.

A debug key is a 128-bit fixed challenge. Installing a debug key in OTP locks down debug access, and it remains locked until the debug host writes a matching key value through the RP-AP `DBGKEY` register. This is a write-only interface.

To install a debug key, first program the OTP locations starting from `KEY5_0` or `KEY6_0`. These locations are ECC-protected. Once you have programmed the 128-bit key value and read it back to confirm the correct value is programmed, write the raw bit pattern `0x010101` to `KEY5_VALID` or `KEY6_VALID` to mark the key as valid. The validity takes effect at the next reset of the OTP block.

Once a key is valid, the OTP storage locations for that key become inaccessible for both reads and writes. Only the OTP power-up state machine ([Section 13.3.4](#)) can read the key.

The effect of installing debug keys depends on which of key 5 and 6 are installed:

- If key 5 or key 6 is valid, and no matching key (either) has been entered through the RP-AP, all debug is disabled. This has the same effect as setting `CRIT1.DEBUG_DISABLE`.
- If key 5 is valid, and no matching key (key 5 specifically) has been entered through the RP-AP, Secure debug is disabled. This has the same effect as writing `CRIT1.SECURE_DEBUG_DISABLE`.

When both keys are installed, key 5 provides both Secure and Non-secure debug access, and key 6 provides Non-secure debug access only. When only a single key is installed, that key provides both Secure and Non-secure debug access.

To enter a key over SWD, first write a 1 to `DBGKEY.RESET`. Then sequentially write 128 bits to `DBGKEY.DATA`, each accompanied by a 1 written to `DBGKEY.PUSH`. Write the data LSB-first, starting with the lowest-numbered OTP row.

Assuming you wrote a value that matched one of the installed debug keys, debug unlocks after the 128th push. The `SDeviceEn` and `DeviceEn` flags in the Mem-AP `CSW` registers indicate success or failure.

Failure to supply a matching key through the RP-AP disables debug if it would otherwise be enabled. However, supplying a key does not enable if it is already disabled for other reasons. For example, if `CRIT1.DEBUG_DISABLE` is set, and

DEBUGEN is clear, debug is be disabled no matter the state of the debug keys and the RP-AP.

3.5.10. RP-AP

The RP-AP is a small register block which is always accessible over SWD. RP-AP access does not require the switched core domain to be powered up, or any internal system clock generators to be running.

3.5.10.1. List of registers

The RP-AP registers start at offset **0x80000** in the debug address space, which is accessed via address **0x80000** in the SW-DP's SELECT register. Unlike the other APs, it can not be accessed directly from the system bus.

Table 99. List of RP-AP registers

| Offset | Name | Info |
|--------|-----------------------------|--|
| 0x000 | CTRL | This register is primarily used for DFT but can also be used to overcome some power up problems. However, it should not be used to force power up of domains. Use DBG_POW_OVRD for that. |
| 0x004 | DBGKEY | Serial key load interface (write-only) |
| 0x008 | DBG_POW_STATE_SWCORE | <p>This register indicates the state of the power sequencer for the switched-core domain.</p> <p>The sequencer timing is managed by the POWMAN_SEQ_* registers. See the header file for those registers for more information on the timing.</p> <p>Power up of the domain commences by clearing bit 0 (IS_PD) then bits 1-8 are set in sequence. Bit 8 (IS_PU) indicates the sequence is complete.</p> <p>Power down of the domain commences by clearing bit 8 (IS_PU) then bits 7-1 are cleared in sequence. Bit 0 (IS_PU) is then set to indicate the sequence is complete.</p> <p>Bits 9-11 describe the states of the power manager clocks which change as clock generators in the switched-core become available following switched-core power up.</p> <p>This bus can be sent to GPIO for debug. See DBG_POW_OUTPUT_TO_GPIO in the DBG_POW_OVRD register.</p> |
| 0x00c | DBG_POW_STATE_XIP | <p>This register indicates the state of the power sequencer for the XIP domain.</p> <p>The sequencer timing is managed by the POWMAN_SEQ_* registers. See the header file for those registers for more information on the timing.</p> <p>Power up of the domain commences by clearing bit 0 (IS_PD) then bits 1-8 are set in sequence. Bit 8 (IS_PU) indicates the sequence is complete.</p> <p>Power down of the domain commences by clearing bit 8 (IS_PU) then bits 7-1 are cleared in sequence. Bit 0 (IS_PU) is then set to indicate the sequence is complete.</p> |

| Offset | Name | Info |
|--------|--|---|
| 0x010 | DBG_POW_STATE_SRAM0 | <p>This register indicates the state of the power sequencer for the SRAM0 domain.</p> <p>The sequencer timing is managed by the POWMAN_SEQ_* registers. See the header file for those registers for more information on the timing.</p> <p>Power up of the domain commences by clearing bit 0 (IS_PD) then bits 1-8 are set in sequence. Bit 8 (IS_PU) indicates the sequence is complete.</p> <p>Power down of the domain commences by clearing bit 8 (IS_PU) then bits 7-1 are cleared in sequence. Bit 0 (IS_PU) is then set to indicate the sequence is complete.</p> |
| 0x014 | DBG_POW_STATE_SRAM1 | <p>This register indicates the state of the power sequencer for the SRAM1 domain.</p> <p>The sequencer timing is managed by the POWMAN_SEQ_* registers. See the header file for those registers for more information on the timing.</p> <p>Power up of the domain commences by clearing bit 0 (IS_PD) then bits 1-8 are set in sequence. Bit 8 (IS_PU) indicates the sequence is complete.</p> <p>Power down of the domain commences by clearing bit 8 (IS_PU) then bits 7-1 are cleared in sequence. Bit 0 (IS_PU) is then set to indicate the sequence is complete.</p> |
| 0x018 | DBG_POW_OVRD | <p>This register allows external control of the power sequencer outputs for all the switched power domains. If any of the power sequencers stall at any stage then force power up operation of all domains by running this sequence:</p> <ul style="list-style-type: none"> - set DBG_POW_OVRD = 0x3b to force small power switches on, large power switches off, resets on and isolation on - allow time for the domain power supplies to reach full rail - set DBG_POW_OVRD = 0x3b to force large power switches on - set DBG_POW_OVRD = 0x37 to remove isolation - set DBG_POW_OVRD = 0x17 to remove resets |
| 0x01c | DBG_POW_OUTPUT_TO_GPIO | <p>Send some, or all, bits of DBG_POW_STATE_SWCORE to gpios.</p> <p>Bit 0 sends bit 0 of DBG_POW_STATE_SWCORE to GPIO 34</p> <p>Bit 1 sends bit 1 of DBG_POW_STATE_SWCORE to GPIO 35</p> <p>Bit 2 sends bit 2 of DBG_POW_STATE_SWCORE to GPIO 36</p> <p>.</p> <p>.</p> <p>Bit 11 sends bit 11 of DBG_POW_STATE_SWCORE to GPIO 45</p> |
| 0xdfc | IDR | Standard Coresight ID Register |

RP_AP: CTRL Register

Offset: 0x000

Description

This register is primarily used for DFT but can also be used to overcome some power up problems. However, it should not be used to force power up of domains. Use DBG_POW_OVRD for that.

Table 100. CTRL Register

| Bits | Description | Type | Reset |
|------|---|------|-------|
| 31 | RESCUE_RESTART: Allows debug of boot problems by restarting the chip with minimal boot code execution. Write to 1 to put the chip in reset then write to 0 to restart the chip with the rescue flag set. The rescue flag is in the POWMAN_CHIP_RESET register and is read by boot code. The rescue flag is cleared by writing 0 to POWMAN_CHIP_RESET_RESCUE_FLAG or by resetting the chip by any means other than RESCUE_RESTART. | RW | 0x0 |
| 30 | SPARE: Unused | RW | 0x0 |
| 29:7 | Reserved. | - | - |
| 6 | DBG_FRCE_GPIO_LPCK: Allows chip start-up when the Low Power Oscillator (LPOSC) is inoperative or malfunctioning and also allows the initial power sequencing rate to be adjusted. Write to 1 to force the LPOSC output to be driven from a GPIO (gpio20 on 80-pin package, gpio34 on the 60-pin package). If the LPOSC is inoperative or malfunctioning it may also be necessary to set the LPOSC_STABLE_FRCE bit in this register. The user must provide a clock on the GPIO. For normal operation use a clock running at around 32kHz. Adjusting the frequency will speed up or slow down the initial power-up sequence. | RW | 0x0 |
| 5 | LPOSC_STABLE_FRCE: Allows the chip to start-up even though the Low Power Oscillator (LPOSC) is failing to set its stable flag. Initial power sequencing is clocked by LPOSC at around 32kHz but does not start until the LPOSC declares itself to be stable. If the LPOSC is otherwise working correctly the chip will boot when this bit is set. If the LPOSC is not working then DBG_FRCE_GPIO_LPCK must be set and an external clock provided. | RW | 0x0 |
| 4 | POWMAN_DFT_ISO_OFF: Holds the isolation gates between power domains in the open state. This is intended to hold the gates open for DFT and power manager debug. It is not intended to force the isolation gates open. Use the overrides in DBG_POW_OVRD to force the isolation gates open or closed. | RW | 0x0 |
| 3 | POWMAN_DFT_PWRON: Holds the power switches on for all domains. This is intended to keep the power on for DFT and debug, rather than for switching the power on. The power switches are not sequenced and the sudden demand for current could cause the always-on power domain to brown out. This register is in the always-on domain therefore chaos could ensue. It is recommended to use the DBG_POW_OVRD controls instead. | RW | 0x0 |
| 2 | POWMAN_DBGMODE: This prevents the power manager from powering down and resetting the switched-core power domain. It is intended for DFT and for debugging the power manager after the chip has booted. It cannot be used to force initial power on because it simultaneously deasserts the reset. | RW | 0x0 |
| 1 | JTAG_FUNCSEL: Multiplexes the JTAG ports onto GPIO0-3 | RW | 0x0 |
| 0 | JTAG_TRSTN: Resets the JTAG module. Active low. | RW | 0x0 |

RP_AP: DBGKEY Register

Offset: 0x004

Description

Serial key load interface (write-only)

Table 101. DBGKEY Register

| Bits | Description | Type | Reset |
|------|-------------|------|-------|
| 31:3 | Reserved. | - | - |

| Bits | Description | Type | Reset |
|------|--|------|-------|
| 2 | RESET: Reset (before sending a new key) | RW | 0x0 |
| 1 | PUSH | RW | 0x0 |
| 0 | DATA | RW | 0x0 |

RP_AP: DBG_POW_STATE_SWCORE Register

Offset: 0x008

Description

This register indicates the state of the power sequencer for the switched-core domain. The sequencer timing is managed by the POWMAN_SEQ_* registers. See the header file for those registers for more information on the timing.

Power up of the domain commences by clearing bit 0 (IS_PD) then bits 1-8 are set in sequence. Bit 8 (IS_PU) indicates the sequence is complete.

Power down of the domain commences by clearing bit 8 (IS_PU) then bits 7-1 are cleared in sequence. Bit 0 (IS_PU) is then set to indicate the sequence is complete.

Bits 9-11 describe the states of the power manager clocks which change as clock generators in the switched-core become available following switched-core power up.

This bus can be sent to GPIO for debug. See DBG_POW_OUTPUT_TO_GPIO in the DBG_POW_OVRD register.

Table 102.
DBG_POW_STATE_SW
CORE Register

| Bits | Description | Type | Reset |
|-------|--|------|-------|
| 31:12 | Reserved. | - | - |
| 11 | USING_FAST_POWCK: Indicates the source of the power manager clock. On switched-core power up the clock switches from the LPOSC to clk_ref and this flag will be set. clk_ref will be running from the ROSC initially but will switch to XOSC when it comes available. On switched-core power down the clock switches to LPOSC and this flag will be cleared. | RO | 0x0 |
| 10 | WAITING_POWCK: Indicates the switched-core power sequencer is waiting for the power manager clock to update. On switched-core power up the clock switches from the LPOSC to clk_ref. clk_ref will be running from the ROSC initially but will switch to XOSC when it comes available. On switched-core power down the clock switches to LPOSC. If the switched-core power up sequence stalls with this flag active then it means clk_ref is not running which indicates a problem with the ROSC. If that happens then set DBG_POW_RESTART_FROM_XOSC in the DBG_POW_OVRD register to avoid using the ROSC. If the switched-core power down sequence stalls with this flag active then it means LPOSC is not running. The solution is to not stop LPOSC when the switched-core power domain is powered. | RO | 0x0 |
| 9 | WAITING_TIMCK: Indicates that the switched-core power sequencer is waiting for the AON-Timer to update. On switched-core power-up there is nothing to be done. The AON-Timer continues to run from the LPOSC so this flag will not be set. Software decides whether to switch the AON-Timer clock to XOSC (via clk_ref). On switched-core power-down the sequencer will switch the AON-Timer back to LPOSC if software switched it to XOSC. During the switchover the WAITING_TIMCK flag will be set. If the switched-core power down sequence stalls with this flag active then the only recourse is to reset the chip and change software to not select XOSC as the AON-Timer source. | RO | 0x0 |
| 8 | IS_PU: Indicates the power somain is fully powered up. | RO | 0x0 |
| 7 | RESET_FROM_SEQ: Indicates the state of the reset to the power domain. | RO | 0x0 |

| Bits | Description | Type | Reset |
|------|--|------|-------|
| 6 | ENAB_ACK : Indicates the state of the enable to the power domain. | RO | 0x0 |
| 5 | ISOLATE_FROM_SEQ : Indicates the state of the isolation control to the power domain. | RO | 0x0 |
| 4 | LARGE_ACK : Indicates the state of the large power switches for the power domain. | RO | 0x0 |
| 3 | SMALL_ACK2 : The small switches are split into 3 chains. In the power up sequence they are switched on separately to allow management of the VDD rise time. In the power down sequence they switch off simultaneously with the large power switches. This bit indicates the state of the last element in small power switch chain 2. | RO | 0x0 |
| 2 | SMALL_ACK1 : This bit indicates the state of the last element in small power switch chain 1. | RO | 0x0 |
| 1 | SMALL_ACK0 : This bit indicates the state of the last element in small power switch chain 0. | RO | 0x0 |
| 0 | IS_PD : Indicates the power somain is fully powered down. | RO | 0x0 |

RP_AP: DBG_POW_STATE_XIP Register

Offset: 0x00c

Description

This register indicates the state of the power sequencer for the XIP domain.

The sequencer timing is managed by the POWMAN_SEQ_* registers. See the header file for those registers for more information on the timing.

Power up of the domain commences by clearing bit 0 (IS_PD) then bits 1-8 are set in sequence. Bit 8 (IS_PU) indicates the sequence is complete.

Power down of the domain commences by clearing bit 8 (IS_PU) then bits 7-1 are cleared in sequence. Bit 0 (IS_PU) is then set to indicate the sequence is complete.

Table 103.
DBG_POW_STATE_XIP
Register

| Bits | Description | Type | Reset |
|------|--|------|-------|
| 31:9 | Reserved. | - | - |
| 8 | IS_PU : Indicates the power somain is fully powered up. | RO | 0x0 |
| 7 | RESET_FROM_SEQ : Indicates the state of the reset to the power domain. | RO | 0x0 |
| 6 | ENAB_ACK : Indicates the state of the enable to the power domain. | RO | 0x0 |
| 5 | ISOLATE_FROM_SEQ : Indicates the state of the isolation control to the power domain. | RO | 0x0 |
| 4 | LARGE_ACK : Indicates the state of the large power switches for the power domain. | RO | 0x0 |
| 3 | SMALL_ACK2 : The small switches are split into 3 chains. In the power up sequence they are switched on separately to allow management of the VDD rise time. In the power down sequence they switch off simultaneously with the large power switches. This bit indicates the state of the last element in small power switch chain 2. | RO | 0x0 |
| 2 | SMALL_ACK1 : This bit indicates the state of the last element in small power switch chain 1. | RO | 0x0 |
| 1 | SMALL_ACK0 : This bit indicates the state of the last element in small power switch chain 0. | RO | 0x0 |

| Bits | Description | Type | Reset |
|------|--|------|-------|
| 0 | IS_PD : Indicates the power somain is fully powered down. | RO | 0x0 |

RP_AP: DBG_POW_STATE_SRAM0 Register

Offset: 0x010

Description

This register indicates the state of the power sequencer for the SRAM0 domain.

The sequencer timing is managed by the POWMAN_SEQ_* registers. See the header file for those registers for more information on the timing.

Power up of the domain commences by clearing bit 0 (IS_PD) then bits 1-8 are set in sequence. Bit 8 (IS_PU) indicates the sequence is complete.

Power down of the domain commences by clearing bit 8 (IS_PU) then bits 7-1 are cleared in sequence. Bit 0 (IS_PU) is then set to indicate the sequence is complete.

Table 104.
DBG_POW_STATE_SR
AM0 Register

| Bits | Description | Type | Reset |
|------|--|------|-------|
| 31:9 | Reserved. | - | - |
| 8 | IS_PU : Indicates the power somain is fully powered up. | RO | 0x0 |
| 7 | RESET_FROM_SEQ : Indicates the state of the reset to the power domain. | RO | 0x0 |
| 6 | ENAB_ACK : Indicates the state of the enable to the power domain. | RO | 0x0 |
| 5 | ISOLATE_FROM_SEQ : Indicates the state of the isolation control to the power domain. | RO | 0x0 |
| 4 | LARGE_ACK : Indicates the state of the large power switches for the power domain. | RO | 0x0 |
| 3 | SMALL_ACK2 : The small switches are split into 3 chains. In the power up sequence they are switched on separately to allow management of the VDD rise time. In the power down sequence they switch off simultaneously with the large power switches. This bit indicates the state of the last element in small power switch chain 2. | RO | 0x0 |
| 2 | SMALL_ACK1 : This bit indicates the state of the last element in small power switch chain 1. | RO | 0x0 |
| 1 | SMALL_ACK0 : This bit indicates the state of the last element in small power switch chain 0. | RO | 0x0 |
| 0 | IS_PD : Indicates the power somain is fully powered down. | RO | 0x0 |

RP_AP: DBG_POW_STATE_SRAM1 Register

Offset: 0x014

Description

This register indicates the state of the power sequencer for the SRAM1 domain.

The sequencer timing is managed by the POWMAN_SEQ_* registers. See the header file for those registers for more information on the timing.

Power up of the domain commences by clearing bit 0 (IS_PD) then bits 1-8 are set in sequence. Bit 8 (IS_PU) indicates the sequence is complete.

Power down of the domain commences by clearing bit 8 (IS_PU) then bits 7-1 are cleared in sequence. Bit 0 (IS_PU) is then set to indicate the sequence is complete.

Table 105.
DBG_POW_STATE_SR
AM1 Register

| Bits | Description | Type | Reset |
|------|--|------|-------|
| 31:9 | Reserved. | - | - |
| 8 | IS_PU : Indicates the power somain is fully powered up. | RO | 0x0 |
| 7 | RESET_FROM_SEQ : Indicates the state of the reset to the power domain. | RO | 0x0 |
| 6 | ENAB_ACK : Indicates the state of the enable to the power domain. | RO | 0x0 |
| 5 | ISOLATE_FROM_SEQ : Indicates the state of the isolation control to the power domain. | RO | 0x0 |
| 4 | LARGE_ACK : Indicates the state of the large power switches for the power domain. | RO | 0x0 |
| 3 | SMALL_ACK2 : The small switches are split into 3 chains. In the power up sequence they are switched on separately to allow management of the VDD rise time. In the power down sequence they switch off simultaneously with the large power switches. This bit indicates the state of the last element in small power switch chain 2. | RO | 0x0 |
| 2 | SMALL_ACK1 : This bit indicates the state of the last element in small power switch chain 1. | RO | 0x0 |
| 1 | SMALL_ACK0 : This bit indicates the state of the last element in small power switch chain 0. | RO | 0x0 |
| 0 | IS_PD : Indicates the power somain is fully powered down. | RO | 0x0 |

RP_AP: DBG_POW_OVRD Register

Offset: 0x018

Description

This register allows external control of the power sequencer outputs for all the switched power domains. If any of the power sequencers stall at any stage then force power up operation of all domains by running this sequence:

- set DBG_POW_OVRD = 0x3b to force small power switches on, large power switches off, resets on and isolation on
- allow time for the domain power supplies to reach full rail
- set DBG_POW_OVRD = 0x3b to force large power switches on
- set DBG_POW_OVRD = 0x37 to remove isolation
- set DBG_POW_OVRD = 0x17 to remove resets

Table 106.
DBG_POW_OVRD
Register

| Bits | Description | Type | Reset |
|------|--|------|-------|
| 31:7 | Reserved. | - | - |
| 6 | DBG_POW_RESTART_FROM_XOSC : By default the system begins boot as soon as a clock is available from the ROSC, then it switches to the XOSC when it is available. This is done because the XOSC takes several ms to start up. If there is a problem with the ROSC then the default behaviour can be changed to not use the ROSC and wait for XOSC. However, this requires a mask change to modify the reset value of the Power Manager START_FROM_XOSC register. To allow experimentation the default can be temporarily changed by setting this register bit to 1. After setting this bit the core must be reset by a Coresight dprst or a rescue reset (see RESCUE_RESTART in the RP_AP_CTRL register above). A power-on reset, brown-out reset or RUN pin reset will reset this control and revert to the default behaviour. | RW | 0x0 |

| Bits | Description | Type | Reset |
|------|---|------|-------|
| 5 | DBG_POW_RESET : When DBG_POW_OVRD_RESET=1 this register bit controls the resets for all domains. 1 = reset. 0 = not reset. | RW | 0x0 |
| 4 | DBG_POW_OVRD_RESET : Enables DBG_POW_RESET to control the resets for the power manager and the switched-core. Essentially that is everything except the Coresight 2-wire interface and the RP_AP registers. | RW | 0x0 |
| 3 | DBG_POW_ISO : When DBG_POW_OVRD_ISO=1 this register bit controls the isolation gates for all domains. 1 = isolated. 0 = not isolated. | RW | 0x0 |
| 2 | DBG_POW_OVRD_ISO : Enables DBG_POW_ISO to control the isolation gates between domains. | RW | 0x0 |
| 1 | DBG_POW_OVRD_LARGE_REQ : Turn on the large power switches for all domains. This should not be done until sufficient time has been allowed for the small switches to bring the supplies up. Switching the large switches on too soon risks browning out the always-on domain and corrupting these very registers. | RW | 0x0 |
| 0 | DBG_POW_OVRD_SMALL_REQ : Turn on the small power switches for all domains. This switches on chain 0 for each domain and switches off chains 2 & 3 and the large power switch chain. This will bring the power up for all domains without browning out the always-on power domain. | RW | 0x0 |

RP_AP: DBG_POW_OUTPUT_TO_GPIO Register

Offset: 0x01c

Description

Send some, or all, bits of DBG_POW_STATE_SWCORE to gpios.

Bit 0 sends bit 0 of DBG_POW_STATE_SWCORE to GPIO 34

Bit 1 sends bit 1 of DBG_POW_STATE_SWCORE to GPIO 35

Bit 2 sends bit 2 of DBG_POW_STATE_SWCORE to GPIO 36

1. +

2. + Bit 11 sends bit 11 of DBG_POW_STATE_SWCORE to GPIO 45

Table 107. DBG_POW_OUTPUT_TO_GPIO Register

| Bits | Description | Type | Reset |
|-------|---------------|------|-------|
| 31:12 | Reserved. | - | - |
| 11:0 | ENABLE | RW | 0x000 |

RP_AP: IDR Register

Offset: 0xdfc

Table 108. IDR Register

| Bits | Description | Type | Reset |
|------|--------------------------------|------|-------|
| 31:0 | Standard Coresight ID Register | RO | - |

3.6. Cortex-M33 coprocessors

The Cortex-M33 features a coprocessor port which transfers up to 64 bits per cycle between the processor and certain closely-coupled hardware. The Cortex-M33’s built-in floating-point unit is an example of such a coprocessor, but RP2350 adds three device-specific coprocessors to this interface. The following sections document these coprocessors.

Before accessing a coprocessor from Secure code, that coprocessor must first be enabled by setting the corresponding bit in the CPACR. Before accessing from the Non-secure state, the corresponding bits in the NSACR and CPACR_NS registers must be set.

The RISC-V processors on RP2350 do not have access to the Cortex-M33 coprocessors.

3.6.1. GPIO coprocessor (GPIOC)

Coprocessor port 0 provides low-overhead access from the Cortex-M33 processors to the GPIO registers in the SIO (Section 3.1.3). This enables a single coprocessor instruction to sample all 48 GPIOs, or to set/clear/write any single GPIO, among other functionality.

Non-secure accesses are filtered according to the [GPIO_NSMASK0](#) and [GPIO_NSMASK1](#) registers in ACCESSCTRL. GPIOs not granted for Non-secure use will ignore writes from the Non-secure state, and read back as zero when read from the Non-secure state.

3.6.1.1. OUT mask write instructions

These instructions write to multiple bits in the SIO [GPIO_OUT](#) and [GPIO_HI_OUT](#) registers.

| Mnemonic | Armv8-M Instruction | Operation |
|---------------------------------|--------------------------------------|---|
| <code>gpioc_lo_out_put</code> | <code>mcr p0, #0, Rt, c0, c0</code> | <code>sio_hw→gpio_out = Rt;</code> |
| <code>gpioc_lo_out_xor</code> | <code>mcr p0, #1, Rt, c0, c0</code> | <code>sio_hw→gpio_togl = Rt;</code> |
| <code>gpioc_lo_out_set</code> | <code>mcr p0, #2, Rt, c0, c0</code> | <code>sio_hw→gpio_set = Rt;</code> |
| <code>gpioc_lo_out_clr</code> | <code>mcr p0, #3, Rt, c0, c0</code> | <code>sio_hw→gpio_clr = Rt;</code> |
| <code>gpioc_hi_out_put</code> | <code>mcr p0, #0, Rt, c0, c1</code> | <code>sio_hw→gpio_hi_out = Rt;</code> |
| <code>gpioc_hi_out_xor</code> | <code>mcr p0, #1, Rt, c0, c1</code> | <code>sio_hw→gpio_hi_togl = Rt;</code> |
| <code>gpioc_hi_out_set</code> | <code>mcr p0, #2, Rt, c0, c1</code> | <code>sio_hw→gpio_hi_set = Rt;</code> |
| <code>gpioc_hi_out_clr</code> | <code>mcr p0, #3, Rt, c0, c1</code> | <code>sio_hw→gpio_hi_clr = Rt;</code> |
| <code>gpioc_hilo_out_put</code> | <code>mcr p0, #0, Rt, Rt2, c0</code> | Simultaneously: <code>sio_hw→gpio_out = Rt;</code> <code>sio_hw→gpio_hi_out = Rt2;</code> |
| <code>gpioc_hilo_out_xor</code> | <code>mcr p0, #1, Rt, Rt2, c0</code> | Simultaneously: <code>sio_hw→gpio_togl = Rt;</code> <code>sio_hw→gpio_hi_togl = Rt2;</code> |
| <code>gpioc_hilo_out_set</code> | <code>mcr p0, #2, Rt, Rt2, c0</code> | Simultaneously: <code>sio_hw→gpio_set = Rt;</code> <code>sio_hw→gpio_hi_set = Rt2;</code> |
| <code>gpioc_hilo_out_clr</code> | <code>mcr p0, #3, Rt, Rt2, c0</code> | Simultaneously: <code>sio_hw→gpio_clr = Rt;</code> <code>sio_hw→gpio_hi_clr = Rt2;</code> |

3.6.1.2. OE mask write instructions

These instructions write to multiple bits in the SIO [GPIO_OE](#) and [GPIO_HI_OE](#) registers.

| Mnemonic | Armv8-M Instruction | Operation |
|------------------------------|-------------------------------------|---|
| <code>gpioc_lo_oe_put</code> | <code>mcr p0, #0, Rt, c0, c4</code> | <code>sio_hw→gpio_oe = Rt;</code> |
| <code>gpioc_lo_oe_xor</code> | <code>mcr p0, #1, Rt, c0, c4</code> | <code>sio_hw→gpio_oe_togl = Rt;</code> |
| <code>gpioc_lo_oe_set</code> | <code>mcr p0, #2, Rt, c0, c4</code> | <code>sio_hw→gpio_oe_set = Rt;</code> |
| <code>gpioc_lo_oe_clr</code> | <code>mcr p0, #3, Rt, c0, c4</code> | <code>sio_hw→gpio_oe_clr = Rt;</code> |
| <code>gpioc_hi_oe_put</code> | <code>mcr p0, #0, Rt, c0, c5</code> | <code>sio_hw→gpio_hi_oe = Rt;</code> |
| <code>gpioc_hi_oe_xor</code> | <code>mcr p0, #1, Rt, c0, c5</code> | <code>sio_hw→gpio_hi_oe_togl = Rt;</code> |

| Mnemonic | Armv8-M Instruction | Operation |
|-------------------|-------------------------|---|
| gpioc_hi_oe_set | mcr p0, #2, Rt, c0, c5 | sio_hw→gpioc_hi_oe_set = Rt; |
| gpioc_hi_oe_clr | mcr p0, #3, Rt, c0, c5 | sio_hw→gpioc_hi_oe_clr = Rt; |
| gpioc_hilo_oe_put | mcr p0, #0, Rt, Rt2, c4 | Simultaneously: sio_hw→gpioc_oe = Rt; sio_hw→gpioc_hi_oe = Rt2; |
| gpioc_hilo_oe_xor | mcr p0, #1, Rt, Rt2, c4 | Simultaneously: sio_hw→gpioc_oe_togl = Rt; sio_hw→gpioc_hi_oe_togl = Rt2; |
| gpioc_hilo_oe_set | mcr p0, #2, Rt, Rt2, c4 | Simultaneously: sio_hw→gpioc_oe_set = Rt; sio_hw→gpioc_hi_oe_set = Rt2; |
| gpioc_hilo_oe_clr | mcr p0, #3, Rt, Rt2, c4 | Simultaneously: sio_hw→gpioc_oe_clr = Rt; sio_hw→gpioc_hi_oe_clr = Rt2; |

3.6.1.3. Single-bit write instructions

These instructions write to a single, indexed bit in either the **GPIO_OUT** and **GPIO_HI_OUT** registers, or the **GPIO_OE** and **GPIO_HI_OE** registers.

| Mnemonic | Armv8-M Instruction | Operation |
|--------------------|-------------------------|--|
| gpioc_bit_out_put | mcr p0, #4, Rt, Rt2, c0 | Write a 1-bit value to any output. Equivalent to: if (Rt2 & 1) gpioc_hilo_out_set(1ull << Rt); else gpioc_hilo_out_clr(1ull << Rt); |
| gpioc_bit_out_xor | mcr p0, #5, Rt, c0, c0 | Unconditionally toggle any single output. Equivalent to: gpioc_hilo_out_xor(1ull << Rt); |
| gpioc_bit_out_set | mcr p0, #6, Rt, c0, c0 | Unconditionally set any single output. Equivalent to: gpioc_hilo_out_set(1ull << Rt); |
| gpioc_bit_out_clr | mcr p0, #7, Rt, c0, c0 | Unconditionally clear any single output. Equivalent to: gpioc_hilo_out_clr(1ull << Rt); |
| gpioc_bit_out_xor2 | mcr p0, #5, Rt, Rt2, c0 | Conditionally toggle any single output. Equivalent to: gpioc_hilo_out_xor((uint64_t)(Rt2 & 1) << Rt); |
| gpioc_bit_out_set2 | mcr p0, #6, Rt, Rt2, c0 | Conditionally set any single output. Equivalent to: gpioc_hilo_out_set((uint64_t)(Rt2 & 1) << Rt); |
| gpioc_bit_out_clr2 | mcr p0, #7, Rt, Rt2, c0 | Conditionally clear any single output. Equivalent to: gpioc_hilo_out_clr((uint64_t)(Rt2 & 1) << Rt); |
| gpioc_bit_oe_put | mcr p0, #4, Rt, Rt2, c4 | Write a 1-bit value to any output enable. Equivalent to: if (Rt2 & 1) gpioc_hilo_oe_set(1ull << Rt); else gpioc_hilo_oe_clr(1ull << Rt); |
| gpioc_bit_oe_xor | mcr p0, #5, Rt, c0, c4 | Unconditionally toggle any output enable. Equivalent to: gpioc_hilo_oe_xor(1ull << Rt); |
| gpioc_bit_oe_set | mcr p0, #6, Rt, c0, c4 | Unconditionally set any output enable (set to output). Equivalent to: gpioc_hilo_oe_set(1ull << Rt); |
| gpioc_bit_oe_clr | mcr p0, #7, Rt, c0, c4 | Unconditionally clear any output enable (set to input). Equivalent to: gpioc_hilo_oe_clr(1ull << Rt); |
| gpioc_bit_oe_xor2 | mcr p0, #5, Rt, Rt2, c4 | Conditionally toggle any output enable. Equivalent to: gpioc_hilo_oe_xor((uint64_t)(Rt2 & 1) << Rt); |
| gpioc_bit_oe_set2 | mcr p0, #6, Rt, Rt2, c4 | Conditionally set any output enable (set to output). Equivalent to: gpioc_hilo_oe_set((uint64_t)(Rt2 & 1) << Rt); |
| gpioc_bit_oe_clr2 | mcr p0, #7, Rt, Rt2, c4 | Conditionally clear any output enable (set to input). Equivalent to: gpioc_hilo_oe_clr((uint64_t)(Rt2 & 1) << Rt); |

3.6.1.4. Indexed mask write instructions

These instructions write to a single, dynamically selected 32-bit GPIO register.

| Mnemonic | Armv8-M Instruction | Operation |
|----------------------------------|---------------------------------------|---|
| <code>gpioc_index_out_put</code> | <code>mcr p0, #8, Rt, Rt2, c0</code> | Write <code>Rt</code> to a GPIO output register selected by <code>Rt2</code> . |
| <code>gpioc_index_out_xor</code> | <code>mcr p0, #9, Rt, Rt2, c0</code> | Toggle bits <code>Rt</code> in a GPIO output register selected by <code>Rt2</code> . |
| <code>gpioc_index_out_set</code> | <code>mcr p0, #10, Rt, Rt2, c0</code> | Set bits <code>Rt</code> in a GPIO output register selected by <code>Rt2</code> . |
| <code>gpioc_index_out_clr</code> | <code>mcr p0, #11, Rt, Rt2, c0</code> | Clear bits <code>Rt</code> in a GPIO output register selected by <code>Rt2</code> . |
| <code>gpioc_index_oe_put</code> | <code>mcr p0, #8, Rt, Rt2, c4</code> | Write <code>Rt</code> to a GPIO output enable register selected by <code>Rt2</code> . |
| <code>gpioc_index_oe_xor</code> | <code>mcr p0, #9, Rt, Rt2, c4</code> | Toggle bits <code>Rt</code> in a GPIO output enable register selected by <code>Rt2</code> . |
| <code>gpioc_index_oe_set</code> | <code>mcr p0, #10, Rt, Rt2, c4</code> | Set bits <code>Rt</code> in a GPIO output enable register selected by <code>Rt2</code> (i.e. set to output). |
| <code>gpioc_index_oe_clr</code> | <code>mcr p0, #11, Rt, Rt2, c4</code> | Clear bits <code>Rt</code> in a GPIO output enable register selected by <code>Rt2</code> (i.e. set to input). |

3.6.1.5. Read instructions

These instructions read from either the `GPIO_OUT` and `GPIO_HI_OUT` registers; the `GPIO_OE` and `GPIO_HI_OE` registers; or the `GPIO_IN` and `GPIO_HI_IN` registers.

| Mnemonic | Armv8-M Instruction | Operation |
|---------------------------------|---------------------------------------|---|
| <code>gpioc_lo_out_get</code> | <code>mrc p0, #0, Rt, c0, c0</code> | Read back the lower 32-bit output register. Equivalent to: <code>Rt = sio_hw->gpio_out;</code> |
| <code>gpioc_hi_out_get</code> | <code>mrc p0, #0, Rt, c0, c1</code> | Read back the upper 32-bit output register. Equivalent to: <code>Rt = sio_hw->gpio_hi_out;</code> |
| <code>gpioc_hilo_out_get</code> | <code>mrrc p0, #0, Rt, Rt2, c0</code> | Read back two 32-bit output registers in a single operation. Equivalent to: <code>Rt = sio_hw->gpio_out;</code> and simultaneously <code>Rt2 = sio_hw->gpio_hi_out << 32;</code> |
| <code>gpioc_lo_oe_get</code> | <code>mrc p0, #0, Rt, c0, c4</code> | Read back the lower 32-bit output enable register. Equivalent to: <code>Rt = sio_hw->gpio_oe;</code> |
| <code>gpioc_hi_oe_get</code> | <code>mrc p0, #0, Rt, c0, c5</code> | Read back the upper 32-bit output enable register. Equivalent to: <code>Rt = sio_hw->gpio_hi_oe;</code> |
| <code>gpioc_hilo_oe_get</code> | <code>mrrc p0, #0, Rt, Rt2, c4</code> | Read back two 32-bit output enable registers in a single operation. Equivalent to: <code>Rt = sio_hw->gpio_oe;</code> and simultaneously <code>Rt2 = sio_hw->gpio_hi_oe << 32;</code> |
| <code>gpioc_lo_in_get</code> | <code>mrc p0, #0, Rt, c0, c8</code> | Sample the lower 32 GPIOs. Equivalent to: <code>Rt = sio_hw->gpio_in;</code> |
| <code>gpioc_hi_in_get</code> | <code>mrc p0, #0, Rt, c0, c9</code> | Sample the upper 32 GPIOs. Equivalent to: <code>Rt = sio_hw->gpio_hi_in;</code> |
| <code>gpioc_hilo_in_get</code> | <code>mrrc p0, #0, Rt, Rt2, c8</code> | Sample 64 GPIOs on the same cycle. Equivalent to: <code>Rt = sio_hw->gpio_in;</code> and simultaneously <code>Rt2 = sio_hw->gpio_hi_in << 32;</code> |

3.6.1.6. Interpreting instruction fields

The type of coprocessor instruction — `mrc`, `mrrc`, `mcr` and `mcrp` — specifies the direction of the transfer (read/write) and the number of Arm registers being transferred (one or two).

Bits 3:2 of the first coprocessor register number field, `CRm`, identify the group of registers being accessed. Values 0, 1 and

2 refer to the output, output enable and input registers respectively.

Bit 0 of the first coprocessor register number field, `CRm`, may be used to distinguish which register in a group is being accessed. Bit 1 is reserved to allow more registers to be indexed on future chips with more GPIOs.

For writes, bits 1:0 of the instruction's `opc1` field specify the type of write operation: values 0, 1, 2, 3 map to normal write, XOR, set and clear operations respectively. Bits 3:2 of the `opc1` field are used to indicate the addressing mode for the register or individual bit being accessed. Their exact interpretation depends on the instruction.

Any combinations not listed in the preceding tables are reserved for future use.

3.6.2. Double-precision coprocessor (DCP)

Each Cortex-M33 CPU core is equipped with two instances of a double-precision coprocessor that provides acceleration of double-precision floating point operations including add, subtract, multiply, divide and square root. The design is implemented in just a few thousand gates and so occupies much less silicon die area than a full double-precision floating-point unit.

Nevertheless, these coprocessors considerably speed up basic double-precision operations compared to pure software implementations. The coprocessors also offer support for some single-precision operations and conversions.

The two coprocessor instances are assigned to the Secure and Non-secure domains. Coprocessor number 4 always maps to the coprocessor used for the current processor security state. Coprocessor number 5 always maps to the Non-secure coprocessor instance, but is accessible only from Secure code. This duplication avoids saving and restoring the coprocessor context during Secure/Non-secure state transitions.

3.6.2.1. CPU interface

As with the other coprocessors, the accelerator connects to the CPU over a 64-bit bus. Two words of data can be transferred per cycle over that bus using the following instructions:

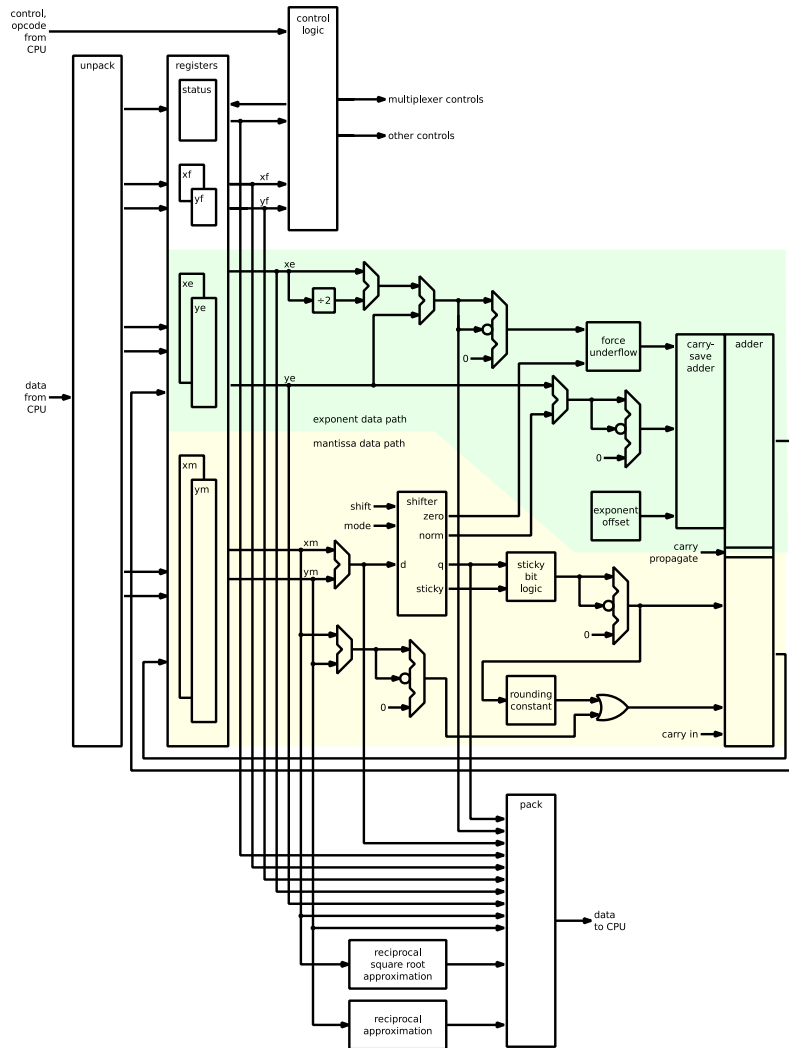
- `MCCR`: move two integer registers to coprocessor
- `MRRC`: move two integer registers from coprocessor

There are also single-register versions of these instructions, including ones that allow the CPU's flags to be loaded from the coprocessor. The CPU issues `CDP` instructions to trigger operations within the coprocessor without transferring any data.

3.6.2.2. Internal architecture

A block diagram of the accelerator is shown in [Figure 12](#).

Figure 12. Block diagram of double-precision accelerator



At the heart of the design are:

- two sets of registers, each designed to hold an unpacked double-precision value
- a 9-bit status register

Unlike a conventional FPU, the accelerator does not contain a full register bank. Not only does this save die area, it also means that saving and restoring the coprocessor’s state is very fast: in fact, the entire state fits within six 32-bit words and hence can be saved to, or restored from, the CPU in three instructions.

The accelerator contains a wide adder, capable of adding two mantissa values and three exponent values simultaneously. There is also a shifter that can either perform a logical right shift by a given amount, or normalise a denormalised mantissa and report the amount of shift required to do so. A considerable amount of hardware in the shifter is shared between these two operating modes.

Control logic, shown at the top of the diagram, decodes coprocessor instructions and configures the accelerator’s functional units and datapath multiplexers in order to execute the desired operation. Each coprocessor instruction takes a single cycle, so coprocessor operations cannot stall the CPU.

A floating-point operation such as addition or subtraction is carried out by executing a fixed (or ‘canned’) sequence of instructions as follows:

1. One or two **MCR** instructions to write the operands to the coprocessor.
2. A number of **CDP** (and possibly other) instructions that together perform the operation itself.
3. An **MRR** or **MRC** instruction to read back the result.

The hardware handles special cases involving zeroes, NaNs, and infinities, as well as rounding, underflow and overflow.

The accelerator does not contain a multiplier array, as that would occupy a considerable amount of die area. Instead, the mantissas of the operands of a multiplication operation are brought back into the CPU to take advantage of the fast long multiply instructions available there. The coprocessor handles the processing of exponents.

Division and square root operations also involve data moving back and forth between coprocessor and CPU. To assist with these operations, the coprocessor contains two small lookup tables (implemented as random logic) that provide initial approximations used in the divide and square root algorithms. The coprocessor handles the processing of exponents.

The accelerator is only meant to be used with the canned instruction sequences that implement basic floating-point operations. The state of the accelerator is not guaranteed to be preserved from the end of one canned sequence to the beginning of the next: see the discussion of the 'engaged' flag in the status register below.

3.6.2.3. Registers

X and Y mantissa registers

The X and Y mantissa registers (xm and ym) are each 64 bits wide. They can be read and written directly by the CPU; the xm register can also store the lower part of the result from the adder. When a value is written to the coprocessor using a 'write unpacked' **MCRR** instruction, the top two bits of the mantissa register are set to **01** and the next most significant bits are filled from the mantissa field of the floating-point operand. The low-order bits of the mantissa register are cleared.

X and Y exponent registers

The X and Y exponent registers (xe and ye) are each 14 bits wide. They can be read and written directly by the CPU; the xe register can also store the higher part of the result from the adder. When a value is written to the coprocessor using a 'write unpacked' **MCRR** instruction, the exponent register is set from the exponent field of the floating-point operand.

X and Y flag registers

The X and Y flag registers (xf and yf) are each four bits wide. They can be read and written directly by the CPU. The flag register stores information about the type of floating-point number represented in the corresponding mantissa and exponent registers: its sign, whether it is a zero, whether it is an infinity, and whether it is a NaN. When a value is written to the coprocessor using a 'write unpacked' **MCRR** instruction, the bits of the flag register are updated according to the type of the floating-point operand.

Status register

The status register contains nine bits. It can be read and written directly by the CPU. The least significant six bits of the register store the shift required to align the two operands of an addition or subtraction; the next two bits indicate whether the value represented by (xe , xm) is greater than, equal to, or less than the value represented by (ye , ym) - in other words, whether the magnitude of the value stored in the X registers is greater than, equal to, or less than the magnitude of the value stored in the Y registers. These status bits are set in the first step of an addition, subtraction or comparison operation after the operands have been loaded.

The final bit of the status register indicates whether the coprocessor is 'engaged'. The engaged flag is set by all coprocessor instructions that occur at the beginning or in the middle of the canned instruction sequences. It is cleared by those instructions used at the end of a canned sequence to read back a final result.

3.6.2.4. State save and restore

An interrupt handler can test the engaged flag to determine whether it has pre-empted an in-progress operation on the same coprocessor. If the engaged flag is set, the handler can save (and restore) the coprocessor state before using the coprocessor. If the engaged flag is clear, the save (and restore) step can be skipped. If this approach is implemented, the state of the accelerator must be regarded as undefined when not within one of the canned instruction sequences.

Three **MRRC** instructions are provided to copy the six words of state in the coprocessor into integer registers in the CPU, from where they can, for example, be pushed onto the stack. The last of these instructions clears the engaged flag.

Similarly, three **MCRR** instructions are provided to restore the state of the coprocessor from integer registers, including the state of the engaged flag.

3.6.2.5. Instruction summary

As mentioned above, it is intended that the coprocessor instructions are only used as part of canned sequences. Nevertheless, for completeness, a list of the available instructions is given here with an outline of their effects.

MCRR instructions are shown in [Table 109](#).

Table 109. MCRR instructions

| Mnemonic | Effect | Used by |
|----------|--|------------------------------------|
| WXMD | write <i>xm</i> direct | restore status |
| WYMD | write <i>ym</i> direct | restore status |
| WEFD | write <i>xe,xf,ye,yf</i> , other status direct | restore status |
| WXUP | write <i>xm,xe,xf</i> unpacked double-precision | double-precision binary operations |
| WYUP | write <i>ym,ye,yf</i> unpacked double-precision | double-precision binary operations |
| WXYU | write <i>xm,xe,xf,ym,ye,yf</i> two unpacked single-precision | single-precision binary operations |
| WXMS | write <i>xm</i> bit 0=0/1 if data zero/nonzero | dmul |
| WXMO | write <i>xm</i> direct OR into b0, add exponents, XOR signs | dmul |
| WXDD | write <i>xm</i> direct; subtract exponents, XOR signs | ddiv |
| WXDQ | write <i>xm</i> direct, offset exponent | dsqrt |
| WXUC | write X unsigned int+ $2^{52}+2^{32}$, $Y=2^{52}+2^{32}$ | conversions from unsigned int |
| WXIC | write X signed int+ $2^{52}+2^{32}$, $Y=2^{52}+2^{32}$ | conversions from signed int |
| WXDC | write X unpacked double-precision, $Y=2^{52}+2^{32}$ | conversions from double-precision |
| WXFC | write X unpacked single-precision, $Y=2^{52}+2^{32}$ | conversions from single-precision |
| WXFM | write <i>xm</i> direct, add exponents, XOR signs | fmul |
| WXFD | write <i>xm</i> direct, subtract exponents, XOR signs | fdiv |
| WXFQ | write <i>xm</i> direct, offset exponent | fsqrt |

CDP instructions are shown in [Table 110](#).

Table 110. CDP instructions

| Mnemonic | Effect | Used by |
|----------|--|---------------|
| INIT | zero all registers | |
| ADD0 | compare <i>X-Y</i> , set status | add, sub, cmp |
| ADD1 | $xm:=\pm xm+\pm ym>>s$ or $\pm ym+\pm xm>>s$ | add |
| SUB1 | $xm:=\pm xm-\pm ym>>s$ or $-\pm ym\pm xm>>s$ | sub |
| SQR0 | $xe=xe/2$, $xm=xm<<0:1$ | sqrt |

| Mnemonic | Effect | Used by |
|----------|--|--|
| NORM | normalise | |
| NRDF | normalise and round single-precision | single-precision operations, conversions to single-precision |
| NRDD | normalise and round double-precision | double-precision operations, conversions to double-precision |
| NTDC | normalise and truncate double-precision pre-integer conversion | truncating conversions to int |
| NRDC | normalise and round double-precision pre-integer conversion | rounding conversions to int |

MRRC and MRC instructions are shown in [Table 111](#).

Table 111. MRRC and MRC instructions

| Mnemonic | Effect | Used by |
|----------|--|---|
| RXVD | read <i>xf</i> ,VERSION direct | dclassify, check version |
| RCMP | read processed status | dcmp |
| RDFA | read FADD result packed from X | fadd |
| RDFS | read FSUB result packed from X | fsub |
| RDFM | read FMUL result packed from X | fmul |
| RDFD | read FDIV result packed from X | fdiv |
| RDFQ | read FSQRT result packed from X | fsqrt |
| RDFG | read general float result packed from X | double-precision to single-precision conversion |
| RDOC | read unsigned integer conversion result from X | conversions to unsigned int |
| RDIC | read signed integer conversion result from X | conversions to signed int |
| RXMD | read <i>xm</i> direct | save status |
| RYMD | read <i>ym</i> direct, engaged=0 | save status |
| REFD | read <i>xe,xf,ye,yf</i> ,other status direct | save status |
| RXMS | read <i>xm</i> Q62-s | dmul, ddiv, dsqrt |
| RYMS | read <i>ym</i> Q62-s | dmul, ddiv |
| RXYH | read <i>ym</i> hi, <i>xm</i> hi | fmul, fdiv |
| RYMR | read <i>ym</i> hi, recip approximation lo | fdiv, ddiv |
| RXMQ | read <i>xm</i> hi, rsqrt approximation lo | fsqrt, dsqrt |
| RDDA | read DADD result packed from X | dadd |
| RDDS | read DSUB result packed from X | dsub |
| RDDM | read DMUL result packed from X | dmul |
| RDDD | read DDIV result packed from X | ddiv |

| Mnemonic | Effect | Used by |
|----------|--|---|
| RDDQ | read DSQRT result packed from X | dsqrt |
| RDDG | read general double result packed from X | single-precision to double-precision conversion |

Alongside each MRRC and MRC instruction is a variant starting P (for 'peek') instead of R that has the same function but preserves the engaged flag. RXMD is identical to PXMD; REFD is identical to PEFD.

The SDK includes macros to generate Arm assembler from the mnemonics above in the file `dcp_instr.inc.S` in the SDK, for example turning `WXUP r0,r1` into `mcrp p4,#1,r0,r1,c0`.

3.6.2.6. Example canned sequence

The assembly code sequence to implement a callable double-precision addition operation is shown in Table 112.

Table 112. Assembly code sequence to implement a callable double-precision addition operation

| Arm assembler | Coprocessor mnemonic | Action |
|------------------------------------|-------------------------|--|
| <code>mcrp p4,#1,r0,r1,c0</code> | <code>WXUP r0,r1</code> | write R0 and R1 unpacked double-precision into X |
| <code>mcrp p4,#1,r2,r3,c1</code> | <code>WYUP r2,r3</code> | write R2 and R3 unpacked double-precision into Y |
| <code>cdp p4,#0,c0,c0,c1,#0</code> | <code>ADD0</code> | compare X and Y; set status and alignment shift |
| <code>cdp p4,#1,c0,c0,c1,#0</code> | <code>ADD1</code> | add/subtract (depending on status and signs) xm and ym aligned, write result to xm |
| <code>cdp p4,#8,c0,c0,c0,#1</code> | <code>NRDD</code> | normalise and round double-precision result |
| <code>mrrc p4,#1,r0,r1,c0</code> | <code>RDDA r0,r1</code> | read R0 and R1 packed double-precision from X, including special-value processing for addition |
| <code>bx r14</code> | | return from function |

Logic in the coprocessor ensures, for example, that the ADD1 instruction shifts the smaller argument, that xm and ym are negated as required before being sent to the adder, and that the larger exponent is used as the basis for the subsequent normalisation.

3.6.2.7. Using the coprocessor via the SDK library

The SDK `pico_double` library automatically uses the coprocessor for double-precision floating-point calculations. This is the simplest way to take advantage of the coprocessor, but it entails a few cycles of overhead for each operation. Not only is there the overhead involved in a function call and return, but for safety the general-purpose implementations in the SDK always test the engaged flag, saving and restoring the coprocessor state to and from the stack as needed. That ensures that the functions work correctly if used in interrupt handlers, without additional intervention.

3.6.2.8. Using the coprocessor directly

The SDK includes macros to generate canned sequences for standard operations in the file `dcp_canned.inc.S` in the SDK.

These allow the callable double-precision addition operation listed above, for example, to be written as:

```
dcp_dadd_m r0,r1, r0,r1,r2,r3 @ result in r0,r1; operands in r0,r1 and r2,r3
bx r14
```

`dcp_dadd_m` is a macro which expands into the sequence of coprocessor instructions given above. This macro allows you to specify the integer registers to be used for the operands and the result, which means that using these macros directly not only avoids function call and return overhead, it also avoids the extra overhead associated with argument marshalling.

The more complex macros also require you to specify 'scratch' registers that they can use for storing intermediate results. The following function, which calculates the dot product of two three-element vectors of doubles pointed to by `R0` and `R1`, illustrates this:

```

push {r4-r9, r14}
ldrd r3, r4, [r0], #8           @ load x0
ldrd r5, r6, [r1], #8           @ load y0
dcp_dmul_m r7, r8, r3, r4, r5, r6, r3, r4, r5, r6, r12, r14, r9 @ compute x0y0 ①
ldrd r3, r4, [r0], #8           @ load x1
ldrd r5, r6, [r1], #8           @ load y1
dcp_dmul_m r3, r4, r3, r4, r5, r6, r3, r4, r5, r6, r12, r14, r9 @ compute x1y1 ①
dcp_dadd_m r7, r8, r3, r4, r7, r8 @ compute x0y0+x1y1
ldrd r3, r4, [r0], #8           @ load x2
ldrd r5, r6, [r1], #8           @ load y2
dcp_dmul_m r3, r4, r3, r4, r5, r6, r3, r4, r5, r6, r12, r14, r9 @ compute x2y2 ①
dcp_dadd_m r0, r1, r3, r4, r7, r8 @ compute x0y0+x1y1+x2y2 ②
pop {r4-r9, r15}

```

1. `r3, r4, r5, r6, r12, r14,` and `r9` are scratch registers.
2. stores the result in `r0, r1`.

i NOTE

This example does not check the engaged flag. If used in interrupt handlers or in multi-threaded applications, a suitable test would have to be added. For example, see the [SDK implementation of `__aeabi_dadd`](#) for an efficient way to do this. The test only needs to be performed once, at the beginning of the function, so the overhead in this case would be relatively small.

The following example demonstrates how to use the coprocessor:

Pico Examples: https://github.com/raspberrypi/pico-examples/blob/master/dcp/hello_dcp/hello_dcp.c Lines 18 - 109

```

18 extern double dcp_dot           (double*p, double*q, int n);
19 extern double dcp_dotx          (float*p, float*q, int n);
20 extern float  dcp_iirx          (float x, float*temp, float*coeff, int order);
21 extern void   dcp_butterfly_radix2 (double*x, double*y);
22 extern void   dcp_butterfly_radix2_twiddle_dif (double*x, double*y, double*tf);
23 extern void   dcp_butterfly_radix2_twiddle_dit (double*x, double*y, double*tf);
24 extern void   dcp_butterfly_radix4  (double*w, double*x, double*y, double*z);
25
26 static void dcp_test0() {
27     double u[3]={1,2,3};
28     double v[3]={4,5,6};
29     double w;
30     w=dcp_dot(u,v,3);
31     printf("(1,2,3).(4,5,6)=%g\n", w);
32 }
33
34 static void dcp_test1() {
35     float u[3]={1+pow(2,-20),2,3};
36     float v[3]={1-pow(2,-20),5,6};
37     double w;
38     w=dcp_dotx(u,v,3);

```

```

39     printf("(1+pow(2,-20),2,3).(1-pow(2,-20),5,6)=%.17g\n",w);
40 }
41
42 static void dcp_test2() {
43     int t;
44     float w;
45     // filter coefficients calculated using Octave as follows:
46     // octave> pkg load signal
47     // octave> format long
48     // octave> [b,a]=cheby1(2,1,.5)
49     // b = 0.307043201259064    0.614086402518128    0.307043201259064
50     // a = 1.00000000000000e+00    6.406405700380895e-02    3.139684953186774e-01
51     // and tested as follows:
52     // octave> filter(b,a,[1 zeros(1,19)])
53     float coeff[5]={0.3070432,0.3139685,0.6140864,0.06406406,0.3070432};
54     float temp[4]={0};
55     printf("IIR filter impulse response:\n");
56     for(t=0;t<20;t++) {
57         w=dcp_iirx(t?0:1,temp,coeff,2);
58         printf("y[%2d]=%g\n",t,w);
59     }
60 }
61
62 static void dcp_test3() {
63     double x[2]={2,3};
64     double y[2]={5,7};
65     dcp_butterfly_radix2(x,y);
66     printf("Radix-2 butterfly of (2+3j,5+7j)=(%g+%gj,%g+%gj)\n",x[0],x[1],y[0],y[1]);
67 }
68
69 static void dcp_test4() {
70     double x[2]={2,3};
71     double y[2]={5,7};
72     double t[2]={1.5,2.5};
73     dcp_butterfly_radix2_twiddle_dif(x,y,t);
74     printf("Radix-2 DIF butterfly of (2+3j,5+7j) with twiddle factor
(1.5+2.5j)=(%g+%gj,%g+%gj)\n",x[0],x[1],y[0],y[1]);
75 }
76
77 static void dcp_test5() {
78     double x[2]={2,3};
79     double y[2]={5,7};
80     double t[2]={1.5,2.5};
81     dcp_butterfly_radix2_twiddle_dit(x,y,t);
82     printf("Radix-2 DIT butterfly of (2+3j,5+7j) with twiddle factor
(1.5+2.5j)=(%g+%gj,%g+%gj)\n",x[0],x[1],y[0],y[1]);
83 }
84
85 static void dcp_test6() {
86     double w[2]={2,3};
87     double x[2]={5,7};
88     double y[2]={11,17};
89     double z[2]={41,43};
90     dcp_butterfly_radix4(w,x,y,z);
91     printf("Radix-4 butterfly of (2+3j,5+7j,11+17j,41+43j)=(%g+%gj,%g+%gj,%g+%gj,%g+%gj)\n"
,w[0],w[1],x[0],x[1],y[0],y[1],z[0],z[1]);
92 }
93
94 int main() {
95     stdio_init_all();
96
97     printf("Hello, DCP!\n");
98
99     dcp_test0();

```



```

100     dcp_test1();
101     dcp_test2();
102     dcp_test3();
103     dcp_test4();
104     dcp_test5();
105     dcp_test6();
106
107     return 0;
108 }

```

There are also further examples in the `dcp/` directory in the [Pico Examples](#) repository.

3.6.2.9. IEEE 754 compliance

The canned instruction sequences provide IEEE-compliant operations with the exception that denormals are flushed to zero on input and output. Zeroes, NaNs and infinities are correctly handled. Rounding is to nearest, even on tie.

Faster versions of division and square root operations, named `ddiv_fast` and `dsqrt_fast` respectively, are available. These do not always give correctly rounded results but do have a guaranteed error before rounding of less than 0.5ulp ('units in last place'), which in particular means that if there is an exact representation of the result then that is what is returned.

3.6.2.10. Benchmarks

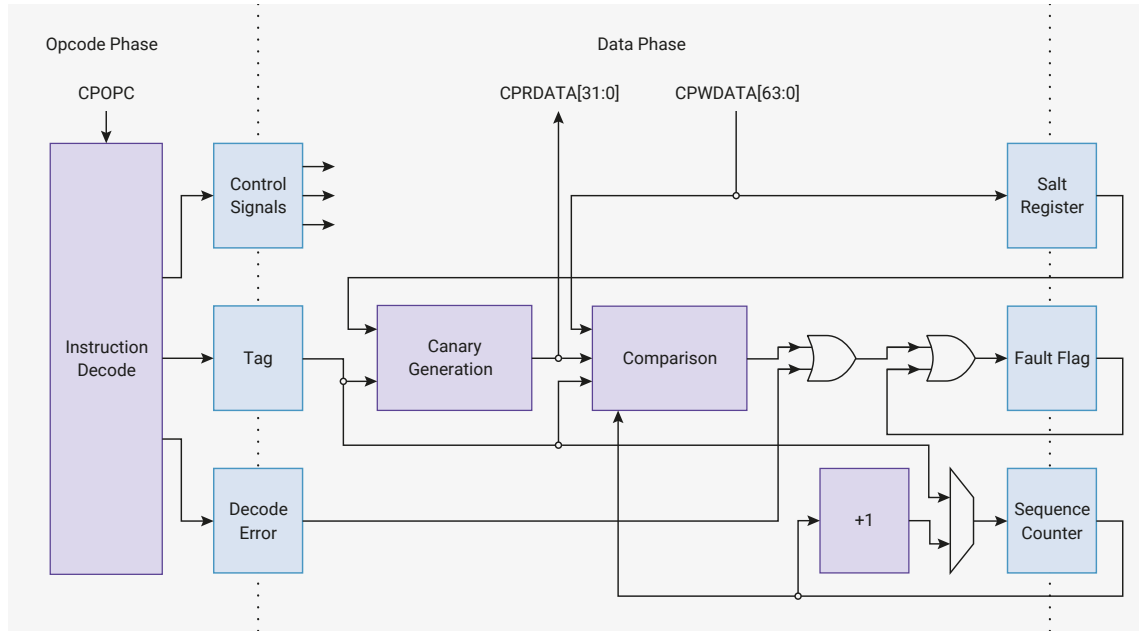
[Table 113](#) gives cycle counts for various floating-point operations using the accelerator with inlined code, compared to some typical ranges of benchmarks for (a) fully-fledged hardware double-precision FPUs; and (b) pure software implementations.

Table 113. Cycle counts for floating-point operations using the accelerator

| Operation | Using coprocessor | Full hardware (latency) | Software only |
|-------------------------------------|-------------------|-------------------------|---------------|
| <code>dadd</code> | 6 | 2-6 | 70-90 |
| <code>dsub</code> | 6 | 2-6 | 70-90 |
| <code>dmul</code> | 17 | 3-7 | 75-90 |
| <code>ddiv</code> | 51 | 13-60 | 135-600 |
| <code>ddiv_fast</code> | 32 | | |
| <code>dsqrt</code> | 49 | 15-62 | 130-650 |
| <code>dsqrt_fast</code> | 38 | | |
| <code>dcmp</code> | 4 | | |
| <code>dclassify</code> | 2 | | |
| <code>integer to/from double</code> | 5 | | |

3.6.3. Redundancy coprocessor (RCP)

Figure 13. The redundancy coprocessor implements hardware-checked assertions, to aid control flow and data flow integrity checking. Its two-phase pipeline is closely coupled to the Cortex-M33 pipeline. A 64-bit salt register holds a once-per-boot random number, which is used to generate and validate stack canary values and generate pseudorandom delay sequences on RCP instructions. Other comparison functions provide more general hardware-checked assertion support.



The redundancy coprocessor (RCP) is used in the RP2350 bootrom to provide hardware-assisted mitigation against fault injection and return-oriented programming attacks. This includes the following instructions:

- generate and validate stack canary values based on a per-boot random seed
- assert that certain points in the program are executed in the correct order without missing steps
- validate booleans stored as one of two valid bit patterns in a 32-bit word
- validate 32-bit integers stored redundantly in two words with an XOR parity mask
- halt the processor upon reaching a software-detected panic condition

Section 3.6.3.7 lists the RCP instruction set in full. RCP instruction encodings contain a parity bit; executing an invalid instruction or an instruction with bad parity triggers an RCP fault.

Each Cortex-M33 processor is equipped with a single RCP instance, mapped as coprocessor number 7 in the coprocessor opcode space. The two RCP instances are linked: an RCP fault on one core immediately triggers a fault on the other. RCP faults have two steps:

1. The non-maskable interrupt (NMI) is asserted. It remains asserted until a warm reset of the processor.
2. Any further RCP instructions stall the coprocessor port until a warm reset of the processor. This stall cannot be interrupted, as the processor is already in the NMI state.

The RP2350 bootrom implements the NMI and HardFault vectors with an `rcp_panic` instruction. This instruction unconditionally stalls the coprocessor port. This prevents the processor from retiring any more instructions until either a debugger connects to reset the processors, or the processors reset through some other mechanism (such as the system watchdog timer). The processor quickly reaches a quiescent state that reduces vulnerability to further fault injection (deliberate or otherwise).

Each core’s RCP has a 64-bit seed value (Section 3.6.3.1). The RCP uses this value to generate stack canary values and to add short pseudorandom delays to RCP instructions. Both RCP instances are seeded by core 0 during the early boot path in the bootrom using the system true-random number generator (Section 12.12). Running any RCP instruction before providing a salt value triggers an RCP fault. The use of random data in stack canary values makes it difficult to reuse return-oriented-programming stack payloads across multiple boots.

Figure 13 gives a dataflow-level overview of the RCP hardware. The RCP is structured as a two-phase pipeline which overlays the Cortex-M33 execution pipeline. It exchanges data with the core via a 64-bit incoming bus (CPWDATA) and a 32-bit outgoing bus (CPRDATA). The Cortex-M33 can issue two register reads to the coprocessor in one cycle through the CPWDATA bus. The RCP leverages this throughput for some of its assertion instructions, such as `rcp_inequal`, which raises a fault when two Arm registers do not contain the same 32-bit value.

The 8-bit **tag** value in Figure 13 is an 8-bit instruction immediate value encoded by the instruction **CRn** and **CRm** fields. These 8-bit values are used to uniquely identify functions for canary value generation so that stack frames are not interchangeable between functions. They also provide 8-bit counter values for **rcp_count_set** and **rcp_count_check** instructions. Encoding the tags using the **CRn** and **CRm** fields makes RCP instruction sequences more compact, as it obviates additional instructions to materialise these small constants in registers and pass them through CPWDATA. This also makes the tag values less vulnerable to glitching, because the instruction opcode fields are available earlier in the cycle than the register values passed on CPWDATA.

RCP instructions may also execute in the Non-secure state, with certain differences to prevent Non-secure code from triggering RCP faults or observing the value of the salt register. This supports Non-secure software executing shared ROM routines which contain RCP instructions, but does not allow probing of the RCP's internal state from a Non-secure context. Section 3.6.3.2 gives further details and rationale for Non-secure execution support.

Certain details are elided from Figure 13 for clarity, such as the delay counter used for pseudorandom instruction delays, and the logic for suppressing faults under Non-secure execution. This behaviour is described in full in the following sections.

3.6.3.1. Salt register

Each RCP instance is provisioned with a 64-bit **salt register**, which provides a seed for stack canary values and random instruction delays. This is expected to be initialised with a random value early in the boot process: the RP2350 bootrom uses the true random number generator to generate the salt values.

Initially the salt register is in the **invalid** state. This state only allows the following operations:

- Checking the valid state of the salt register, via **rcp_canary_status**
- Writing a salt via **rcp_salt_core0** or **rcp_salt_core1**, which writes a 64-bit value to that core's salt register, and changes its state to **valid**

When the salt register is in the invalid state, *executing any RCP instruction other than those listed above unconditionally triggers an RCP fault*. This makes it difficult to skip RCP initialisation via fault injection, because the RP2350 bootrom contains a high density of RCP instructions.

Similarly, attempting to write to an already-valid RCP salt register triggers an RCP fault. There is no reason to initialise the RCP salt register twice, so this case is detected as an anomaly that indicates loss of control flow integrity.

Core 0's coprocessor port writes the salt registers for both cores' RCP instances to simplify multicore interactions during early boot. In the RP2350 bootrom, core 1's first steps lock down its MPU execute permissions to a small region of the ROM containing its wait-for-launch code, and then poll for its RCP salt to become valid once core 0 has cleared boot memory, performed some minimal hardware setup, and generated the RCP salts.

When core 0 is switched to RISC-V architecture and core 1 is Arm, the core 1 salt register is forcibly marked as valid to permit core 1 to execute the ROM. This has no impact on secure boot because RISC-V cores are only enabled when secure boot is disabled; the ability to set core 0 to RISC-V already implies subversion of secure boot.

3.6.3.2. Access from Non-secure

Setting bit 7 of the Cortex-M33 **NSACR** register permits Non-secure code to set bit 7 of **CPACR_NS**, which in turn enables Non-secure access to the RCP. Non-secure RCP access is useful for executing shared Secure/Non-secure routines which contain RCP instructions. For example, the **memcpy** implementation in the RP2350 bootrom is shared by Secure code in the main boot path, and Non-secure code such as the USB bootloader.

Since an RCP fault is fatal for all software running on the system, Non-secure must not be able to trigger RCP faults at will. Similarly, if Non-secure code were able to read out the RCP salt register, it would make it easier to engineer stack payloads which can control Secure execution without triggering RCP faults. Therefore the RCP handles Non-secure accesses differently from Secure:

- Masks read data to all-zeroes

- Ignores write data: any instruction which would generate a data-dependent RCP fault becomes a no-op
- Reports coprocessor errors instead of RCP faults for invalid instructions, which the processor maps to the Non-secure UNDEFINSTR UsageFault
- Skips the pseudorandom instruction delay: all RCP instructions execute in one cycle, assuming the Cortex-M33 is able to issue them at one instruction per cycle

The lack of pseudorandom instruction delays makes it more difficult for Non-secure code to extract the seed value used to add delays to Secure execution of RCP instructions.

3.6.3.3. Instruction validation

The RCP applies the following rules to all coprocessor instructions which target coprocessor 7:

- The number of 1 bits in the `Opc1` field, plus the instruction parity bit, must be an even number.
 - For `mcr`, `mrc` and `cdp` instructions, bit 0 of the `Opc2` field encodes the parity bit.
 - For `mcr`, bit 3 of the `CRm` field encodes the parity bit.
- The instruction must not be an `mrrc` (64-bit coprocessor-to-core)
- For `mcr` instructions (32-bit core-to-coprocessor):
 - The `Opc1` field must be in the range 0 through 6.
 - If there is no 8-bit tag (i.e. any other than `rcp_canary_check`, `rcp_count_check`, `rcp_count_set`), the `CRn` and `CRm` opcode fields must be all-zeroes.
- For `mrc` instructions (32-bit coprocessor-to-core):
 - The `Opc1` field must be in the range 0 through 2.
 - For instructions other than `rcp_canary_get` and `rcp_canary_check`, the `CRn` and `CRm` opcode fields must be all-zeroes.
- For `mcr` instructions (64-bit core-to-coprocessor):
 - The `Opc1` field must be in the range 0 through 8.
 - For `rcp_salt_core*` instructions, bits 2:0 of the `CRm` field must be 0 or 1 (referred to as `rcp_salt_core0` and `rcp_salt_core1` respectively).
 - For all other `mcr` instructions, bits 2:0 of the `CRm` field must be 0.

The terms `Opc1`, `Opc2`, `CRm` and `CRn` in the description above refer to standard encoding fields in the Arm T32 instruction encoding for coprocessor instructions. See the [Arm v8-M Architecture Reference Manual](#) for full details of the encoding and assembler syntax.

Any coprocessor instruction targeting coprocessor 7 that fails these validation rules will result in one of two outcomes, depending on the security domain in which the instruction is executed:

- Secure execution of an invalid instruction is an immediate, unconditional RCP fault. The RCP asserts the core's non-maskable interrupt signal, and any further RCP instructions stall the coprocessor port indefinitely. This continues until the core receives a warm reset. This also triggers RCP faults on other cores: for more information, see [Section 3.6.3.4](#).
- Non-secure execution of an invalid instruction returns an error on the opcode-phase coprocessor interface, which is interpreted as a Non-secure UNDEFINSTR UsageFault by the core. For a full description of this Arm v8-M-specific fault, see the [Arm v8-M Architecture Reference Manual](#).

3.6.3.4. Cross-core triggering

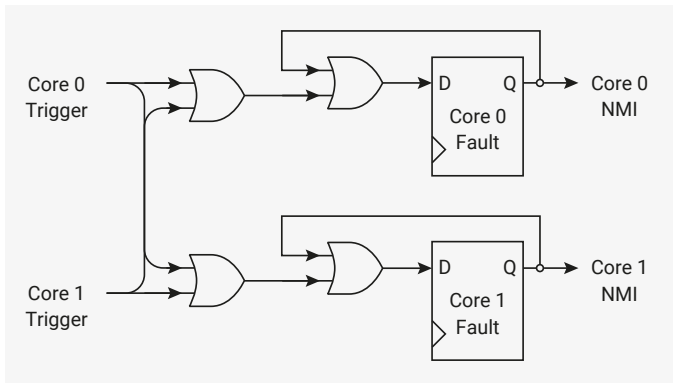
An RCP fault indicates that the integrity of the software environment is compromised. Though the fault may originate on

a single processor, all processors which share the same trusted memory may behave unpredictably if they continue to execute, since:

- The physical condition which caused one processor to misexecute in a detectable way, such as low supply voltage, may cause other processors to misexecute in a manner which was not detected.
- The processor which triggered an RCP fault may already have corrupted shared, trusted memory contents in a way that interferes with the other processor’s operation, (e.g. corrupting the other core’s stack).

Therefore, an RCP fault on one core also triggers an RCP fault on other cores. Because RP2350 has two cores, an RCP fault on core 0 always triggers a fault on core 1, and an RCP fault on core 1 always triggers a fault on core 0.

Figure 14. Triggering an RCP fault on one core also triggers a fault on the other core. Triggers accumulate into a fault register, which remains set until the core resets. The NMI asserts when the fault register is set.



Each core locally ORs in the trigger signal from the other core. The outputs of the two OR gates on the left are logically equivalent, but the gates are kept local to the core to minimise delay routing the core’s own fault trigger to its own fault register.

3.6.3.5. Stack canary values

Canaries are values written to the stack on function entry and validated on function exit, to assure that:

- The exit matches the entry (i.e. when leaving through the back door, you entered through the front door)
- The stack was not completely overwritten in the course of executing the function

This helps to mitigate two classes of attack:

- Fault injection: any physical fault condition which corrupts the program counter or causes a wild indirect branch is likely to cause the processor to execute a function epilogue which does not match the prologue. Any branch into the middle of a function is likely to eventually reach the epilogue.
- Return-oriented programming: deliberate stack corruption can redirect control flow through a sequence of function tails which perform arbitrary operations. The stack may be corrupted by exploiting missing bounds checks on stack buffer operations. Random canary values make it difficult to craft such a stack payload.

Return-oriented programming mitigation is particularly important to account for in the bootrom because the bootrom exposes an API surface that is mapped at a known location at runtime (it is physically always mapped at `0x00000000`). This provides a well-known exploit surface similar to the C standard library.

The RCP supports canary values with two canary-specific instructions:

- `rcp_canary_get` generates a 32-bit value for an 8-bit tag as a function of the salt register
- `rcp_canary_check` validates a 32-bit value for an 8-bit tag and raises an RCP fault if the value does not match that produced by an `rcp_canary_get` for the same tag.

The 32-bit canary value is as follows:

- Bits 7:0: all-zero
- Bits 15:8: XOR of bits 7:0 of the salt with (AND of bits 31:24 of the salt with the 8-bit tag)

- Bits 23:16: XOR of bits 15:8 of the salt with (AND of bits 39:32 of the salt with the bitwise NOT of the 8-bit tag)
- Bits 31:24: XOR of bits 23:16 of the salt with the 8-bit tag

The following code demonstrates how you might calculate the 32-bit canary value in C:

```
uint32_t canary_value(uint64_t salt, uint8_t tag) {
    uint32_t tag_expanded =
        (uint32_t)tag |
        ((uint32_t)~tag << 8)
        ((uint32_t)tag << 16);
    tag_expanded &= (0xff0000u | ((salt >> 24) & 0x00ffffu));
    uint32_t result24 = tag_expanded ^ salt;
    return result24 << 8;
}
```

This canary value is chosen such that:

- Different tags are guaranteed to yield different canary values
- For any two different tags, each is a function of at least one salt bit that the other is not a function of (so it is difficult to calculate canaries for different tags even if one value is known)
- Null-terminated string operations on the stack terminate before reading or writing a canary

Each function should use a different canary tag, to prevent a stack frame for one function being used to return through another function's epilogue. Avoid using canary values for purposes other than stack canaries.

The RP2350 bootrom uses 8-bit tags in the range 0x40 through 0xbf. The remaining tags are free for use in user code.

3.6.3.6. Pseudorandom instruction delays

By default, all RCP instructions execute with a pseudorandom delay in the range of 0 to 127 cycles. These delays make it more difficult for an outside observer to precisely time a fault injection event with respect to an RCP instruction, or the critical code path it protects.

i NOTE

In certain usage situations, RCP delays can expose a side-channel where processor state can be inferred. See [RP2350-E26](#) for details.

Setting bit 12 of the first halfword of an instruction disables the pseudorandom delay for that instruction only. The instruction executes in a single cycle, assuming the Cortex-M33 does not insert stall cycles due to other micro-architectural constraints. To set this bit, assemble the *2 variant of any given coprocessor instruction (e.g. `mrc2` rather than `mrc`). In the NonSecure state, RCP instructions always execute without delay.

The RCP implements instruction execution delays by stalling the coprocessor opcode interface during the opcode phase (shown in the [Figure 13](#) pipeline diagram). The Cortex-M33 may choose to abandon a stalled coprocessor instruction due to an interrupt. When this happens, the delay counter continues counting down, waiting for the delay period to elapse. If the Cortex-M33 issues another RCP instruction whilst the delay counter is still running (either in the interrupt, or after returning to the interrupted RCP instruction), this instruction executes once the existing countdown completes. However, if the delay counter of an abandoned instruction has already expired before the next RCP instruction executes, the next instruction samples a pseudorandom delay count, and begins a new countdown.

The pseudorandom delay sequence is a function of bits 63:40 of the salt value. As such, the pattern of delays is unique per-boot, provided each boot writes a different 64-bit value to the salt register.

The pseudorandom number generator (PRNG) used for delays implements a number of small linear feedback shift registers (LFSRs) in bits 63:40 of the salt register, and returns a nonlinear function of the 24-bit state. The LFSR feedback functions on the 24-bit state are:

- Bits 23:20: 4-bit LFSR with taps 0xc
- Bits 19:15: 5-bit LFSR with taps 0x14
- Bits 14:8: 7-bit LFSR with taps 0x60
- Bits 7:0: 8-bit LFSR with taps 0xb4

The LFSRs are implemented by shifting the XOR reduction of (state AND taps) into the LSB with each state update. When an LFSR’s state is all-zeroes, a one bit is shifted into the LSB. The LFSR state advances each time a random number is generated: this happens when executing an instruction with a pseudorandom delay, or when executing a `rcp_random_byte` instruction.

Each bit of the pseudorandom output is the XOR of six bits of the 24-bit state, XORed with the majority-3 vote of three other bits of the state:

| Output Bit | XOR Taps | | | | | | Majority-3 Taps | | |
|------------|----------|----|----|----|----|----|-----------------|----|----|
| 7 | 7 | 17 | 6 | 16 | 13 | 8 | 9 | 12 | 21 |
| 6 | 14 | 21 | 19 | 6 | 16 | 13 | 4 | 14 | 6 |
| 5 | 7 | 5 | 2 | 18 | 11 | 1 | 18 | 14 | 7 |
| 4 | 4 | 19 | 17 | 0 | 18 | 7 | 18 | 11 | 3 |
| 3 | 23 | 12 | 7 | 16 | 14 | 5 | 17 | 3 | 15 |
| 2 | 15 | 13 | 20 | 21 | 8 | 12 | 7 | 22 | 9 |
| 1 | 4 | 16 | 11 | 18 | 9 | 6 | 14 | 21 | 16 |
| 0 | 11 | 3 | 4 | 19 | 10 | 14 | 1 | 2 | 9 |

Bits 6:0 of this function are used for pseudorandom instruction delays, producing delays in the range of 0 to 127 cycles. The delay is applied in addition to the one-cycle base cost of executing a coprocessor instruction. The full 8-bit result is available through the `rcp_random_byte` instruction.

This is a simple pseudorandom number generator which makes it difficult to recover the initial 24-bit state from a small number of observations. It accomplishes this by making the observation size much smaller than the state size and using a non-linear combination function for the output. It has a number of statistical aberrations which make it unsuitable for general random number generation (not to mention its small state size). For high-quality random number generation, either use the system true-random number generator (TRNG) directly, or use a high-quality software PRNG with a large state seeded from the TRNG.

Note that the 24 MSBs of the salt value used to seed the delay PRNG do not overlap with the 40 LSBs used to generate stack canary values. Therefore measuring the random delays externally provides no information on the canary values.

3.6.3.7. Instruction listing

The Cortex-M33 processors access the RCP using `mcr`, `mcrf`, `mrc`, and `cdp` instructions. The [Armv8-M Architecture Reference Manual](#) describes the intricacies of these instructions in relation to the processor’s architectural state, but from the coprocessor’s point of view:

- `mcr` writes a 32-bit value to the coprocessor from a single Arm integer register
- `mcrf` writes a 64-bit value to the coprocessor from a pair of Arm integer registers
- `mrc` reads a 32-bit value from the coprocessor, writing to either a single Arm integer register or to the processor status flags
- `cdp` performs some internal coprocessor operation without exchanging data with the processor

For each `mcr`, `mcrf`, `mrc` and `cdp` instruction, the RCP also accepts the matching `mcr2`, `mcrf2`, `mrc2`, and `cdp2` opcode variant. These opcodes differ only in bit 12. The plain versions have a pseudorandom delay of up to 127 cycles on their

execution, whereas the 2-suffixed versions have no such delay.

Most RCP instructions are in the form of hardware-checked assertions. The phrase "asserts that" in the following instruction listings means that, if some asserted condition is not true, the coprocessor raises an RCP fault.

3.6.3.7.1. Initialisation

`rcp_salt_core0`

Asserts that the core 0 salt register is currently invalid. Writes a 64-bit value, and marks it as valid.

Opcode:

```
mcr p7, #8, Rt, Rt2, c0
```

`Rt` is the 32 LSBs of the salt, `Rt2` is the 32 MSBs.

`rcp_salt_core1`

Asserts that the core 1 salt register is currently invalid. Writes a 64-bit value, and marks it as valid.

Opcode:

```
mcr p7, #8, Rt, Rt2, c1
```

`rcp_canary_status`

Returns a `true` or `false` bit pattern (`0xa500a500` or `0x00c300c3` respectively) that indicates whether the salt register for this core has been initialised.

Opcode:

```
mrc p7, #1, Rt, c0, c0, #0
```

Invoking with `Rt = 0xf` sets the Arm `N` and `C` flags if and only if the salt register is valid.

If the salt has not been initialised, any operation other than initialising the salt or checking the canary status triggers an RCP fault.

This opcode is used on core 0 to skip the RCP initialisation sequence if the bootrom has been re-entered without a reset under debugger control, and on core 1 to wait for its RCP salt to be initialised.

3.6.3.7.2. Canary

`rcp_canary_get`

Gets a 32-bit canary value as a function of the salt register and the 8-bit tag encoded by two 4-bit coprocessor register numbers `CRn` and `CRm`. `CRn` contains the four MSBs, `CRm` the four LSBs.

Opcode:

```
mrc p7, #0, Rt, CRn, CRm, #1
```

[Section 3.6.3.5](#) specifies the 32-bit value returned by this instruction, but you should treat this as an opaque value to be consumed by `rcp_canary_check`.

rcp_canary_check

Asserts that a value matches the result of an `rcp_canary_get` with the same 8-bit tag. The tag is encoded by two 4-bit coprocessor register numbers, `CRn` and `CRm`. `CRn` contains the four MSBs, `CRm` the four LSBs.

Opcode:

```
mcr p7, #0, Rt, CRn, CRm, #1
```

3.6.3.7.3. Boolean validation

The RCP defines `0xa500a500` as the `true` value for 32-bit booleans, and `0x00c300c3` as the `false` value. All other bit patterns are poison, and trigger an RCP fault when consumed by any RCP boolean instructions. These values are chosen as they are valid immediates in Armv8-M Main.

This provides limited runtime type checking to ensure that boolean values are used in boolean contexts. The RP2350 bootrom occasionally uses redundant operations to generate booleans in a way that results in an invalid bit pattern if the two redundant operations do not return the same value, such as when checking boot flags in OTP.

rcp_bvalid

Asserts that `Rt` is a valid boolean (`0xa500a500` or `0x00c300c3`).

Opcode:

```
mcr p7, #1, Rt, c0, c0, #0
```

rcp_btrue

Asserts that `Rt` is `true` (`0xa500a500`).

Opcode:

```
mcr p7, #2, Rt, c0, c0, #0
```

rcp_bfalse

Asserts that `Rt` is `false` (`0x00c300c3`).

Opcode:

```
mcr p7, #3, Rt, c0, c0, #1
```

rcp_b2valid

Asserts that `Rt` and `Rt2` are both valid booleans.

Opcode:

```
mcr p7, #0, Rt, Rt2, c8
```

rcp_b2and

Asserts that *Rt* and *Rt2* are both *true*.

Opcode:

```
mcr p7, #1, Rt, Rt2, c0
```

rcp_b2or

Asserts that both *Rt* and *Rt2* are valid, and at least one is *true*.

```
mcr p7, #2, Rt, Rt2, c0
```

rcp_bxorvalid

Asserts that *Rt* XOR *Rt2* is a valid boolean. The XOR mask is generally a fixed bit pattern used to validate the origin of the boolean, such as a return value from a critical function.

Opcode:

```
mcr p7, #3, Rt, Rt2, c8
```

rcp_bxortrue

Asserts that *Rt* XOR *Rt2* is *true*.

Opcode:

```
mcr p7, #4, Rt, Rt2, c0
```

rcp_bxorfalse

Asserts that *Rt* XOR *Rt2* is *false*.

Opcode:

```
mcr p7, #5, Rt, Rt2, c8
```

3.6.3.7.4. Integer Validation**rcp_ivalid**

Asserts that *Rt* XOR *Rt2* is equal to *0x96009600*. This is used to validate 32-bit integers stored redundantly in two memory words. The XOR difference provides assurance that two parallel chains of integer operations have not mixed.

Opcode:

```
mcr p7, #6, Rt, Rt2, c8
```

rcp_inequal

Asserts that *Rt* is equal to *Rt2*. Useful for general software assertions that are worth checking in hardware.

Opcode:

```
mcr p7, #7, Rt, Rt2, c0
```

3.6.3.7.5. Random

rcp_random_byte

Returns a random 8-bit value generated from the upper 24 bits of the 64-bit salt value. Bits 31:8 of the result are all-zero.

Opcode:

```
mrc p7, #2, Rt, c0, c0, #0
```

This is the same PRNG used for random delay values. It is mainly exposed for debugging purposes, and should not be used for general software RNG purposes because the 24-bit state space is inadequate for scenarios where the quality and predictability of the random numbers is important.

This instruction never has an execution delay. Once the Cortex-M33 issues the coprocessor access, it always completes in one cycle.

3.6.3.7.6. Sequence count checking

These instructions are used to assert that a sequence of operations happens in the correct order. The count is initialised to an 8-bit value at the beginning of such a sequence, then repeatedly checked, incrementing with each check. If the 8-bit check value does not match the current counter value, the coprocessor raises an RCP fault.

rcp_count_set

Writes an 8-bit count value to the RCP sequence counter. Encodes the 8-bit value using two 4-bit coprocessor numbers: *CRn* provides the MSBs, *CRm* the LSBs.

Opcode:

```
mcr p7, #4, r0, CRn, CRm, #0
```

rcp_count_check

Asserts that an 8-bit count value matches the current value of the RCP sequence counter. Increments the counter by one, wrapping back to `0x00` after reaching `0xff`. Encodes the 8-bit count value using two 4-bit coprocessor numbers: *CRn* provides the MSBs, *CRm* the LSBs.

Opcode:

```
mcr p7, #5, r0, CRn, CRm, #1
```

3.6.3.7.7. Panic

`rcp_panic`

Stalls the coprocessor port forever. If the processor abandons the coprocessor access, asserts NMI and continues stalling the coprocessor port. Also immediately raises an RCP fault on other cores.

Opcode:

```
cdp p7, #0, c0, c0, c0, #1
```

Software executes an `rcp_panic` instruction when it detects a condition that makes it unsafe to continue executing the current program. The RCP responds by stalling the processor's CDP access forever, which should cause the processor to stop fetching and executing instructions.

The processor is allowed to abandon a stalled coprocessor instruction when interrupted, which may cause it to continue executing in an unsafe state. The RCP responds to an abandoned transfer by asserting the non-maskable interrupt, pre-empting the interrupt handler that caused the coprocessor access to be abandoned. This should swiftly encounter another RCP instruction and once again stall the processor, this time without allowing interruption.

Panic is specified in this way, instead of gating the processor clock, so the debugger can still attach cleanly to the processor after a panic.

3.6.4. Floating point unit

The Cortex-M33 cores on RP2350 are configured with the standard Arm single-precision floating point unit (FPU). Coprocessor ports `10` and `11` access the FPU.

The Arm floating point extension is documented in the [Armv8-M Architecture Reference Manual](#).

Applications built with the SDK use the FPU automatically by default. For example, calculations with the `float` data type in C automatically use the standard FPU, while calculations with the `double` data type automatically use the RP2350 double-precision coprocessor ([Section 3.6.2](#)).

3.7. Cortex-M33 processor

Arm Documentation

Much of the following is excerpted from the [Cortex-M33 Technical Reference Manual](#). Used with permission.

The Arm Cortex-M33 processor is a low gate count, highly energy-efficient processor intended for microcontroller and embedded applications. The processor is based on the Armv8-M architecture and is primarily for use in environments where security is an important consideration.

i NOTE

Full details of the Arm Cortex-M33 processor can be found in the [Technical Reference Manual](#).

3.7.1. Features

The Arm Cortex-M33 processor provides the following features and benefits:

- An in-order issue pipeline
- Thumb-2 technology; for more information, see the [Armv8-M Architecture Reference Manual](#)
- Little-endian data accesses
- A Nested Vectored Interrupt Controller (NVIC) closely integrated with the processor
- A Floating Point Unit (FPU) supporting single-precision arithmetic
- Support for exception-continuable instructions, such as LDM, LDMDB, STM, STMDB, PUSH, POP, VLDM, VSTM, V PUSH, and VPOP
- A low-cost debug solution that provides the ability to implement:
 - Breakpoints
 - Watchpoints
 - Tracing
 - System profiling
 - Support for `printf()` style debugging through an Instrumentation Trace Macrocell (ITM)
- Support for the Embedded Trace Macrocell (ETM) instruction trace option; for more information, see the *Arm CoreSight ETM-M33 Technical Reference Manual*
- A coprocessor interface for external hardware accelerators
- Low-power features including architectural clock gating, sleep mode, and a power-aware system with Wake-up Interrupt Controller (WIC)
- A memory system that includes memory protection and security attribution

3.7.2. Configuration

Each Arm Cortex-M33 processor in RP2350 is configured with the following features:

- **FPU**: Single precision FPU
- **DSP**: DSP extension
- **SECEXT**: Security extensions
- **CPIF**: coprocessor interface
- **MPU_NS**: 8 non-secure MPU regions
- **MPU_S**: 8 secure MPU regions
- **SAU**: 8 SAU regions
- **IRQ**: 52 external interrupts
- **IRQLVL**: 4 exception priority bits
- **DBGLVL**: Full debug set: 4 watchpoint, 8 breakpoint comparators, debug monitor

- ITM: [DWT](#) and ITM trace
- [ETM](#): ETM trace
- [MTB](#): no MTB trace
- WIC: Wake up interrupt controller
- WICLINES: 55: All external interrupts and 3 internal events: NMI, RVEX, Debug
- [CTI](#): Cross trigger interface
- RAR: reset all registers on power up
- [UNCROSS_I_D](#): Modify internal address map
- SBIST: no SBIST features
- CDE modules not used
- CDERTLID: RTL ID for system with multi Cortex-M33: 16

Architectural clock gating allows the processor core to support SLEEP and DEEPSLEEP power states by disabling the clock to parts of the processor core. Power gating is not supported.

Each Cortex-M33 core has its own interrupt controller that can individually mask out interrupt sources as required. The same interrupts route to both Cortex-M33 cores.

The processor supports the following interfaces:

- Code AHB (C-AHB) interface
- System AHB (S-AHB) interface
- External PPB (EPPB) APB interface
- Debug AHB (D-AHB) interface

The processor implements the following optional interfaces:

- Arm TrustZone technology, using the Armv8-M Security Extension supporting Secure and Non-secure states
- Memory Protection Units (MPUs), which you can configure to protect regions of memory
- Floating-point arithmetic functionality with support for single precision arithmetic
- Support for ETM trace

3.7.2.1. Modifications by Raspberry Pi

3.7.2.1.1. [UNCROSS_I_D](#)

The original Cortex-M33 processor design routes the following operations to either the Code or System port:

- instruction fetch
- load/stores
- debugger accesses

Accesses below address `0x20000000` route to the Code port. All other accesses route to the System port.

This routing strategy makes contention possible on both the internal bus matrix *and* the main system AHB5 crossbar. The *Cortex-M33 Technical Reference Manual* describes this strategy in detail.

In RP2350, Raspberry Pi modified the Cortex-M33 bus matrix to:

- route all instruction fetch operations to the Code port

- route all load/stores and debugger accesses to the System port

This eliminates internal conflicts and improves performance in certain software use cases, e.g. when allocating both code and data from a single unified SRAM pool.

In [Section 3.7.2](#), we refer to this feature as `UNCROSS_I_D`.

There are no other modifications to the Cortex-M33 processor.

i NOTE

This datasheet may refer to the Cortex-M33 Code and System ports as the instruction and data ports respectively (I and D), to reflect this modification to the core's integrated bus matrix.

3.7.2.2. Interfaces

The processor has various external interfaces:

Code and System AHB interfaces

Harvard AHB bus architecture supporting exclusive transactions and security state.

System AHB interface

The System AHB (S-AHB) interface is used for any instruction fetch and data access to the memory-mapped SRAM, Peripheral, External RAM and External device, or Vendor_SYS regions of the Armv8-M memory map.

Code AHB interface

The Code AHB (C-AHB) interface is used for any instruction fetch and data access to the Code region of the Armv8-M memory map.

External Private Peripheral Bus

The External PPB (EPPB) APB interface enables access to CoreSight-compatible debug and trace components in a system connected to the processor.

Secure attribution interface

The processor has an interface that connects to an external Implementation Defined Attribution Unit (IDAU), which enables your system to set security attributes based on address.

ATB interfaces

The ATB interfaces output trace data for debugging. The ATB interfaces are compatible with the CoreSight architecture. See the Arm CoreSight Architecture Specification v2.0 for more information. The instruction ATB interface is used by the ETM, and the instrumentation ATB interface is used by the Instrumentation Trace Macrocell (ITM).

Micro Trace Buffer interfaces

The Micro Trace Buffer (MTB) AHB slave interface and SRAM interface are for the CoreSight Micro Trace Buffer.

Coprocessor interface

The coprocessor interface is designed for closely coupled external accelerator hardware.

Debug AHB interface

The Debug AHB (D-AHB) slave interface allows a debugger access to registers, memory, and peripherals. The D-AHB interface provides debug access to the processor and the complete memory map.

Cross Trigger Interface

The processor includes a Cross Trigger Interface (CTI) Unit that has an interface that is suitable for connection to external CoreSight components using a Cross Trigger Matrix (CTM).

Power control interface

The processor supports a number of internal power domains that can be enabled and disabled using Q-channel interfaces connected to a Power Management Unit (PMU) in the system.

3.7.2.3. Security attribution and memory protection

The Cortex-M33 processor supports the Armv8-M Protected Memory System Architecture (PMSA) that provides programmable support for [memory protection](#) using a number of software controllable regions. RP2350 supports 8 programmable regions.

PMSA allows privileged software to assign access permissions to a memory region. When unprivileged software attempts to access the region, a fault exception is triggered. PMSA includes fault status registers that allow an exception handler to determine the source of the fault, apply corrective action, and notify the system. This reduces the potential impact of incorrectly-written application code.

The Cortex-M33 processor also includes support for defining memory regions as Secure or Non-secure, as defined in the Armv8-M Security Extension. This protects memory regions from accesses with an inappropriate level of security.

3.7.2.4. Floating-point unit (FPU)

The FPU provides:

- Instructions for single-precision (C programming language float type) data-processing operations
- Instructions for double-precision (C programming language double type) load and store operations
- Combined multiply-add instructions for increased precision (Fused MAC)
- Hardware support for conversion, addition, subtraction, multiplication, accumulate, division, and square-root
- Hardware support for denormals and all IEEE Standard 754-2008 rounding modes
- Thirty-two 32-bit single-precision registers or sixteen 64-bit double-precision registers
- Lazy floating-point context save

3.7.2.4.1. Lazy floating-point context save

This FPU function delays automated stacking of floating-point state until the ISR attempts to execute a floating-point instruction. This reduces the latency to enter the ISR and removes floating-point context save for ISRs that do not use floating-point.

3.7.2.5. NVIC

The Nested Vectored Interrupt Controller NVIC prioritizes external interrupt signals. Software can set the priority of each interrupt. The NVIC and the Cortex-M33 processor core are closely coupled, providing low latency interrupt processing and efficient processing of late arriving interrupts.

i NOTE

"Nested" refers to the fact that interrupts can themselves be interrupted, by higher-priority interrupts. "Vectored" refers to the hardware dispatching each interrupt to a distinct handler routine specified by a vector table. For more details about nesting and vectoring behaviour, see the [Armv8-M Architecture Reference Manual](#).

All NVIC registers are only accessible using word transfers. Any attempt to read or write a halfword or byte individually is unpredictable.

NVIC registers are always little-endian.

The Nested Vectored Interrupt Controller (NVIC) is closely integrated with the core to achieve low-latency interrupt processing.

Functions of the NVIC include:

- External interrupts, configurable from 1 to 480 using a contiguous or non-contiguous mapping. This is configured at implementation.
- Configurable levels of interrupt priority from 8 to 256. This is configured at implementation.
- Dynamic reprioritisation of interrupts.
- Priority grouping. This enables selection of pre-empting interrupt levels and non-pre-empting interrupt levels.
- Support for tail-chaining and late arrival of interrupts. This enables back-to-back interrupt processing without the overhead of state saving and restoration between interrupts.
- Support for the Armv8-M Security Extension. Secure interrupts can be prioritized above any Non-secure interrupt.

3.7.2.6. Cross Trigger Interface Unit (CTI)

The CTI enables the debug logic, MTB, and ETM to interact with each other and with other CoreSight™ components.

3.7.2.7. ETM

The ETM provides instruction-only capabilities.

3.7.2.8. MTB

The MTB provides a simple low-cost execution trace solution for the Cortex-M33 processor.

Trace is written to an SRAM interface, and can be extracted using a dedicated AHB slave interface (M-AHB) on the processor. The MTB can be controlled by memory-mapped registers in the PPB region or by events generated by the DWT or through the CTI.

See the Arm [CoreSight MTB-M33 Technical Reference Manual](#) for more information.

3.7.2.9. Debug and trace

Debug and trace components include a configurable Breakpoint Unit (BPU) used to implement breakpoints and a configurable Data Watchpoint and Trace (DWT) unit used to implement watchpoints, data tracing, and system profiling. Other debug and trace components include:

- ITM for support of `printf()` style debugging, using instrumentation trace
- Interfaces suitable for:
 - Passing on-chip data through a Trace Port Interface Unit (TPIU) to a Trace Port Analyzer (TPA) via a 4-bit DDR output selected as a GPIO function (see [Section 3.5.7](#))
 - A ROM table to allow debuggers to determine which components are implemented in the Cortex-M33 processor
 - Debugger access to all memory and registers in the system, including access to memory-mapped devices, access to internal core registers when the core is halted, and access to debug control registers even when reset is asserted

3.7.3. Compliance

The processor complies with, or implements, the relevant Arm architectural standards and protocols, and relevant external standards.

3.7.3.1. Arm architecture

The processor is compliant with the following:

- Armv8-M Main Extension
- Armv8-M Security Extension
- Armv8-M Protected Memory System Architecture (PMSA)
- Armv8-M Floating-point Extension
- Armv8-M Digital Signal Processing (DSP) Extension
- Armv8-M Debug Extension
- Armv8-M Flash Patch Breakpoint (FPB) architecture version 2.0

3.7.3.2. Bus architecture

The processor provides external interfaces that comply with the AMBA 5 AHB5 protocol. The processor also implements interfaces for CoreSight and other debug components using the APB4 protocol and ATBv1.1 part of the AMBA 4 ATB protocol.

For more information, see the:

- [Arm AMBA 5 AHB Protocol Specification](#)
- [AMBA APB Protocol Version 2.0 Specification](#)
- [Arm AMBA 4 ATB Protocol Specification ATBv1.0 and ATBv1.1](#)

The processor also provides a Q-Channel interface. For more information, see the [AMBA Low Power Interface Specification](#).

3.7.3.3. Debug

The debug features of the processor implement the Arm Debug Interface Architecture. For more information, see the [Arm Debug Interface Architecture Specification, ADIv5.0 to ADIv5.2](#).

3.7.3.4. Embedded Trace Macrocell

The trace features of the processor implement the Arm Embedded Trace Macrocell (ETM) v4.2 architecture.

For more information, see the [Arm CoreSight ETM-M33 Technical Reference Manual](#).

3.7.3.5. Floating-point unit

The Cortex-M33 processor with FPU supports single-precision arithmetic as defined by the FPv5 architecture that is part of the Armv8-M architecture. The FPU provides floating-point computation functionality compliant with ANSI/IEEE Standard 754-2008, IEEE Standard for Binary Floating-Point Arithmetic.

The FPU supports single-precision add, subtract, multiply, divide, multiply and accumulate, and square root operations. It also provides conversions between fixed-point and floating-point data formats, and floating-point constant instructions.

The FPU provides an extension register file containing 32 single-precision registers.

The registers can be viewed as:

- Thirty-two 32-bit single-word registers, [S0-S31](#)
- Sixteen 64-bit double-word registers, [D0-D15](#)
- A combination of registers from these views

3.7.3.5.1. FPU modes

The FPU provides full-compliance, flush-to-zero, and Default NaN modes of operation. In full-compliance mode, the FPU processes all operations according to the IEEE 754 standard in hardware.

Modes of operation are controlled using the Floating-Point Status and Control Register, [FPSCR](#).

Setting the [FPSCR.FZ](#) bit enables Flush-to-Zero (FZ) mode. In FZ mode, the FPU treats all subnormal input operands of arithmetic operations as zeros. Exceptions that result from a zero operand are signalled appropriately. [VABS](#), [VNEG](#), and [VMOV](#) are not considered arithmetic operations and are not affected by FZ mode. When an operation yields a *tiny* result (as described in the IEEE 754 standard, where the destination precision is smaller in magnitude than the minimum normal value before rounding) FZ mode replaces the result with a zero.

The [FPSCR.IDC](#) bit indicates when an input flush occurs.

The [FPSCR.UFC](#) bit indicates when a result flush occurs.

Setting the [FPSCR.DN](#) bit enables Default NaN (DN) mode. In NaN mode, the result of any arithmetic data processing operation that involves an input NaN, or that generates a NaN result, returns the default NaN. All arithmetic operations except for [VABS](#), [VNEG](#), and [VMOV](#) ignore the fraction bits of an input NaN.

Setting neither the [FPSCR.DN](#) bit nor the [FPSCR.FZ](#) bit enables full-compliance mode. In full-compliance mode, FPv5 functionality is compliant with the IEEE 754 standard in hardware.

For more information about the FPU and [FPSCR](#), see the [Armv8-M Architecture Reference Manual](#).

3.7.3.5.2. FPU exceptions

The FPU sets the cumulative exception status flag in the [FPSCR](#) register as required for each instruction, in accordance with the FPv5 architecture. The FPU does not support exception traps.

The processor has six output pins. By default, they are disconnected. Each reflect the status of one of the cumulative exception flags:

FPIXC

Masked floating-point inexact exception.

FPUFC

Masked floating-point underflow exception.

FPOFC

Masked floating-point overflow exception.

FPDZC

Masked floating-point divide by zero exception.

FPIDC

Masked floating-point input denormal exception.

FPIOC

Invalid operation.

When a floating-point context is active, the stack frame extends to accommodate the floating-point registers. To reduce the additional interrupt latency associated with writing the larger stack frame on exception entry, the processor supports lazy stacking. This means that the processor reserves space on the stack for the FP state, but does not save that state information to the stack unless the processor executes an FPU instruction inside the exception handler.

The lazy save of the FP state is interruptible by a higher priority exception. The FP state saving operation starts over after that exception returns.

3.7.3.5.3. Low power FPU operation

If the FPU is in a separate power domain, the way the FPU domain powers down depends on whether the FPU domain includes state retention logic.

To power down the FPU:

- If FPU domain includes state retention logic, disable the FPU by clearing the `CPACR.CP10` and `CPACR.CP11` bitfields.
- If FPU domain does not include state retention logic, disable the FPU by clearing the `CPACR.CP10` and `CPACR.CP11` bitfields and set both the `CPPWR.SU10` and `CPPWR.SU11` bitfields to 1.

WARNING

Setting the `CPPWR.SU10` and `CPPWR.SU11` bitfields indicates that FPU state can be lost.

3.7.4. Programmer's model

The Cortex-M33 programmer's model is an implementation of the Armv8-M Main Extension architecture.

For a complete description of the programmers model, refer to the [Armv8-M Architecture Reference Manual](#), which also contains the Armv8-M Thumb instructions. In addition, other options of the programmers model are described in the System Control, MPU, NVIC, FPU, Debug, DWT, ITM, and TPIU feature topics.

3.7.4.1. Modes of operation and execution

The Cortex-M33 processor supports Secure and Non-secure security states, Thread and Handler operating modes, and can run in either Thumb or Debug operating states. In addition, the processor can limit or exclude access to some resources by executing code in privileged or unprivileged mode.

See the [Armv8-M Architecture Reference Manual](#) for more information about the modes of operation and execution.

3.7.4.1.1. Security states

With the Armv8-M Security Extension, the programmer's model includes two orthogonal security states: *Secure* state and *Non-secure* state. The processor always resets into Secure state. Each security state includes a set of independent operating modes and supports both privileged and unprivileged user access. Registers in the System Control Space are banked across Secure and Non-secure state, with a Non-secure register view available to Secure state at an aliased address.

3.7.4.1.2. Operating modes

For each security state, the processor can operate in *Thread* or *Handler* mode. The following conditions cause the processor to enter Thread or Handler mode:

- The processor enters Thread mode on reset, or as a result of an exception return to Thread mode. Privileged and Unprivileged code can run in Thread mode.
- The processor enters Handler mode as a result of an exception. In Handler mode, all code is privileged.

The processor can change security state on taking an exception, for example when a Secure exception is taken from Non-secure state, the Thread mode enters the Secure state Handler mode. The processor can also call Secure functions

from Non-secure state and Non-secure functions from Secure state. The Security Extension includes requirements for these calls to prevent Secure data from being accessed in Non-secure state.

3.7.4.1.3. Operating states

The processor can operate in Thumb or Debug state:

- Thumb state is the state of normal execution running 16-bit and 32-bit halfword- aligned Thumb instructions.
- Debug state is the state when the processor is in Halting debug.

3.7.4.1.4. Privileged access and unprivileged user access

Code can execute as privileged or unprivileged. Unprivileged execution limits resource access appropriate to the current security state. Privileged execution has access to all resources available to the security state. Handler mode is always privileged. Thread mode can be privileged or unprivileged.

3.7.4.2. Instruction set summary

The processor implements the following instruction from Armv8-M:

- All base instructions
- All instructions in the Main Extension
- All instructions in the Security Extension
- All instructions in the DSP Extension
- All single-precision instructions and double precision load/store instructions in the Floating-point Extension

For more information about Armv8-M instructions, see the [Armv8-M Architecture Reference Manual](#).

3.7.4.3. Memory model

The processor contains a bus matrix that arbitrates instruction fetches and memory accesses from the processor core between the external memory system and the internal System Control Space (SCS) and debug components.

Priority is usually given to the processor to keep debug accesses as non-intrusive as possible.

The system memory map is Armv8-M Main Extension compliant, and is common both to the debugger and processor accesses.

The default memory map provides user and privileged access to all regions except for the Private Peripheral Bus (PPB). The PPB space only allows privileged access.

The following table shows the default memory map. This is the memory map used when the included MPUs are disabled. The attributes and permissions of all regions, except that targeting the NVIC and debug components, can be modified using an implemented MPU.

Table 114. Default memory map

| Address Range (inclusive) | Region | Interface |
|---------------------------|------------|---|
| 0x00000000 - 0x1FFFFFFF | Code | Instruction and data accesses. |
| 0x20000000 - 0x3FFFFFFF | SRAM | Instruction and data accesses. |
| 0x40000000 - 0x5FFFFFFF | Peripheral | Instruction and data accesses. Any attempt to execute instructions from the peripheral and external device region results in a MemManage fault. |

| Address Range (inclusive) | Region | Interface |
|---------------------------|-----------------|---|
| 0x60000000 - 0x9FFFFFFF | External RAM | Instruction and data accesses. Any attempt to execute instructions from the peripheral and external device region results in a MemManage fault. |
| 0xA0000000 - 0xDFFFFFFF | External device | Instruction and data accesses. Any attempt to execute instructions from the peripheral and external device region results in a MemManage fault. |
| 0xE0000000 - 0xE0FFFFFF | PPB | Reserved for system control and debug. Cannot be used for exception vector tables. Data accesses are either performed internally or on EPPB. Accesses in the range 0xE0000000 - 0xE0043FFF are handled within the processor. Accesses in the range 0xE0044000 - 0xE0FFFFFF appear as APB transactions on the EPPB interface of the processor. Any attempt to execute instructions from the region results in a MemManage fault. |
| 0xE0100000 - 0xFFFFFFFF | Vendor_SYS | Partly reserved for future processor feature expansion. Any attempt to execute instructions from the region results in a MemManage fault. |

The internal Secure Attribution Unit (SAU) determines the security level associated with an address. Some internal peripherals have memory-mapped registers in the PPB region which are banked between Secure and Non-secure state. When the processor is in Secure state, software can access both the Secure and Non-secure versions of these registers. The Non-secure versions are accessed using an aliased address.

For more information about the memory model, see the [Armv8-M Architecture Reference Manual](#).

3.7.4.3.1. Private Peripheral Bus (PPB)

The Private Peripheral Bus (PPB) memory region provides access to internal and external processor resources.

The internal PPB provides access to:

- The System Control Space (SCS), including the Memory Protection Unit (MPU), Secure Attribution Unit (SAU), and the Nested Vectored Interrupt Controller (NVIC).
- The Data Watchpoint and Trace (DWT) unit.
- The Breakpoint Unit (BPU).
- The Embedded Trace Macrocell (ETM).
- CoreSight Micro Trace Buffer (MTB).
- Cross Trigger Interface (CTI).
- The ROM table.

The external PPB (EPPB) provides access to implementation-specific external areas of the PPB memory map.

3.7.4.3.2. Unaligned accesses

The Cortex-M33 processor supports unaligned accesses. They are converted into two or more aligned AHB transactions on the C-AHB or S-AHB master ports on the processor.

Unaligned support is only available for load/store singles (LDR, LDRH, STR, STRH, TBH) to addresses in Normal memory. Load/store double and load/store multiple instructions already support word aligned accesses, but do not permit other unaligned accesses, and generate a fault if this is attempted. Unaligned accesses in Device memory are not permitted and fault. Unaligned accesses that cross memory map boundaries are architecturally **UNPREDICTABLE**.

i NOTE

If `CCR.UNALIGN_TRP` for the current Security state is set, any unaligned accesses generate a fault.

3.7.4.4. Exclusive monitor

The Cortex-M33 processor implements a local exclusive monitor. The local monitor within the processor has been constructed so that it does not hold any physical address, but instead treats any store-exclusive access as matching the address of the previous load-exclusive. This means that the implemented exclusives reservation granule is the entire memory address range. For more information about semaphores and the local exclusive monitor, see the [Armv8-M Architecture Reference Manual](#).

3.7.4.5. Processor core registers summary

The following table shows the processor core register set summary. Each of these registers is 32 bits wide. When the Armv8-M Security Extension is included, some of the registers are banked. The Secure view of these registers is available when the Cortex-M33 processor is in Secure state and the Non-secure view when Cortex-M33 processor is in Non-secure state.

Table 115. Processor core register set summary

| Name | Description |
|-----------|---|
| R0-R12 | R0-R12 are general-purpose registers for data operations. |
| MSP (R13) | The Stack Pointer (SP) is register R13. In Thread mode, the CONTROL register indicates the stack pointer to use, Main Stack Pointer (MSP) or Process Stack Pointer (PSP). There are two MSP registers in the Cortex-M33 processor: MSP_NS for the Non-secure state, and MSP_S for the Secure state. |
| PSP (R13) | The Stack Pointer (SP) is register R13. In Thread mode, the CONTROL register indicates the stack pointer to use, Main Stack Pointer (MSP) or Process Stack Pointer (PSP). There are two PSP registers in the Cortex-M33 processor: PSP_NS for the Non-secure state, and PSP_S for the Secure state. |
| MSPLIM | The stack limit registers limit the extent to which the MSP and PSP registers can descend respectively. There are two MSPLIM registers in the Cortex-M33 processor: MSPLIM_NS for the Non-secure state, and MSPLIM_S for the Secure state. |
| PSPLIM | The stack limit registers limit the extent to which the MSP and PSP registers can descend respectively. There are two PSPLIM registers in the Cortex-M33 processor: PSPLIM_NS for the Non-secure state, and PSPLIM_S for the Secure state. |
| LR (R14) | The Link Register (LR) is register R14. It stores the return information for subroutines, function calls, and exceptions. |
| PC (R15) | The Program Counter (PC) is register R15. It contains the current program address. |

| Name | Description |
|-----------|---|
| PSR | The Program Status Register (PSR) combines the Application Program Status Register (APSR), Interrupt Program Status Register (IPSR), and Execution Program Status Register (EPSR). These registers provide different views of the PSR. |
| PRIMASK | The PRIMASK register prevents activation of exceptions with configurable priority. When the Armv8-M Security Extension is included, there are two PRIMASK registers in the Cortex-M33 processor: PRIMASK_NS for the Non-secure state and PRIMASK_S for the Secure state. |
| BASEPRI | The BASEPRI register defines the minimum priority for exception processing. There are two BASEPRI registers in the Cortex-M33 processor: BASEPRI_NS for the Non-secure state, and BASEPRI_S for the Secure state. |
| FAULTMASK | The FAULTMASK register prevents activation of all exceptions except for NON-MASKABLE INTERRUPT (NMI) and Secure HardFault. There are two FAULTMASK registers in the Cortex-M33 processor: FAULTMASK_NS for the Non-secure state, and FAULTMASK_S for the Secure state. |
| CONTROL | The CONTROL register controls the stack used, and optionally the privilege level, when the processor is in Thread mode. There are two CONTROL registers in the Cortex-M33 processor: CONTROL_NS for the Non-secure state and CONTROL_S for the Secure state. |

3.7.4.6. Exceptions

Exceptions are handled and prioritized by the processor and the NVIC. In addition to architecturally defined behaviour, the processor implements advanced exception and interrupt handling that reduces interrupt latency and includes implementation defined behaviour.

The processor core and the Nested Vectored Interrupt Controller (NVIC) together prioritize and handle all exceptions. When handling exceptions:

- All exceptions are handled in Handler mode.
- Processor state is automatically stored to the stack on an exception, and automatically restored from the stack at the end of the Interrupt Service Routine (ISR).
- The vector is fetched in parallel to the state saving, enabling efficient interrupt entry.

The processor supports tail-chaining that enables back-to-back interrupts without the overhead of state saving and restoration.

Software can choose only to enable a subset of the configured number of interrupts, and can choose how many bits of the configured priorities to use.

Exceptions can be specified as either Secure or Non-secure. When an exception occurs the processor switches to the associated security state. The priority of Secure and Non-secure exceptions can be programmed independently. You can deprioritise Non-secure configurable exceptions using the AIRCR.PRIS bit field to enable Secure interrupts to take priority.

When taking and returning from an exception, the register state is always stored using the stack pointer associated with the background security state. When taking a Non-secure exception from Secure state, all the register state is stacked and then registers are cleared to prevent Secure data being available to the Non-secure handler. The vector base

address is banked between Secure and Non-secure state. `VTOR_S` contains the Secure vector base address, and `VTOR_NS` contains the Non-secure vector base address. These registers can be programmed by software, and also initialized at reset by the system.

NOTE

Vector table entries are compatible with interworking between Arm and Thumb instructions. This causes bit[0] of the vector value to load into the Execution Program Status Register (EPSR) T-bit on exception entry. All populated vectors in the vector table entries must have bit[0] set. Creating a table entry with bit[0] clear generates an `INVSTATE` fault on the first instruction of the handler corresponding to this vector.

3.7.4.7. Security attribution and memory protection

Security attribution and memory protection in the processor is provided by the Security Attribution Unit (SAU) and the Memory Protection Units (MPUs).

The SAU is a programmable unit that determines the security of an address. RP2350 includes 8 memory regions.

For instructions and data, the SAU returns the security attribute that is associated with the address.

For instructions, the attribute determines the allowable Security state of the processor when the instruction is executed. It can also identify whether code at a Secure address can be called from Non-secure state.

For data, the attribute determines whether a memory address can be accessed from Non-secure state, and also whether the external memory request is marked as Secure or Non-secure.

If a data access is made from Non-secure state to an address marked as Secure, then a SecureFault exception is taken by the processor. If a data access is made from Secure state to an address marked as Non-secure, then the associated memory access is marked as Non-secure.

The security level returned by the SAU is a combination of the region type defined in the internal SAU, if configured, and the type that is returned on the associated Implementation Defined Attribution Unit (IDAU). If an address maps to regions defined by both internal and external attribution units, the region of the highest security level is selected.

The register fields `SAU_CTRL.EN` and `SAU_CTRL.ALLNS` control the enable state of the SAU and the default security level when the SAU is disabled. Both `SAU_CTRL.EN` and `SAU_CTRL.ALLNS` reset to zero disabling the SAU and setting all memory, apart from some specific regions in the PPB space to Secure level. If the SAU is not enabled, and `SAU_CTRL.ALLNS` is zero, then the IDAU cannot set any regions of memory to a security level lower than Secure, for example Secure NSC or NS. If the SAU is enabled, then `SAU_CTRL.ALLNS` does not affect the Security level of memory.

RP2350 supports the Armv8-M Protected Memory System Architecture (PMSA). The MPU provides full support for:

- protection regions
- access permissions
- exporting memory attributes to the system

MPU mismatches and permission violations invoke the MemManage handler. For more information, see the [Armv8-M Architecture Reference Manual](#).

You can use the MPU to:

- enforce privilege rules
- separate processes
- manage memory attributes

The MPU supports 16 memory regions: 8 secure and 8 non-secure. The MPU is banked between Secure and Non-secure states. The number of regions in the Secure and Non-secure MPU can be configured independently and each can be programmed to protect memory for the associated Security state.

3.7.4.8. External coprocessors

The external coprocessor interface:

- Supports low-latency data transfer from the processor to and from the accelerator components.
- Has a sustained bandwidth up to twice of the processor memory interface.

The following instruction types are supported:

- Register transfer from the Cortex-M33 processor to the coprocessor **MCR**, **MCRR**, **MCR2**, **MCRR2**.
- Register transfer from the coprocessor to the Cortex-M33 processor **MRC**, **MRRC**, **MRC2**, **MRRC2**.
- Data processing instructions **CDP**, **CDP2**.

i NOTE

The regular and extension forms of the coprocessor instructions for example, **MCR** and **MCRR2**, have the same functionality but different encodings. The **MRC** and **MRC2** instructions support the transfer of **APSR.NZVC** flags when the processor register field is set to PC, for example **Rt == 0xF**.

3.7.4.8.1. Restrictions

The following restrictions apply when to coprocessor instructions:

- The **LDC(2)** or **STC(2)** instructions are not supported. If these are included in software with the **<coproc>** field set to a value between 0-7 and the coprocessor is present and enabled in the appropriate fields in the **CPACR/NSACR** registers, the Cortex-M33 processor always attempts to take an *Undefined instruction* (UNDEFINSTR) UsageFault exception.
- The processor register fields for data transfer instructions must not include the stack pointer (**Rt == 0xD**), this encoding is **UNPREDICTABLE** in the Armv8-M architecture and results in an *Undefined instruction* (UNDEFINSTR) UsageFault exception in the **CPACR/NSACR** registers.
- If any coprocessor instruction is executed when the corresponding coprocessor is disabled in the **CPACR/NSACR** register, the Cortex-M33 processor always attempts to take a *No coprocessor* (NOCP) UsageFault exception.

3.7.4.8.2. Data transfer rates

The following table shows the ideal data transfer rates for the coprocessor interface. This means that the coprocessor responds immediately to an instruction. The ideal data transfer rates are sustainable if the corresponding coprocessor instructions are executed consecutively.

The following instructions have the following data transfer rates:

MCR, MCR2 (Processor to coprocessor)

32 bits per cycle

MRC, MRC2 (Coprocessor to processor)

32 bits per cycle

MCRR, MCRR2 (Processor to coprocessor)

64 bits per cycle

MRRC, MRRC2 (Coprocessor to processor)

64 bits per cycle

3.7.4.9. Execution timing

This section describes the execution time of various Cortex-M33 instructions. The results are based on measurements

of a limited and non-exceptional set of examples of the more common instructions and hence may not correctly cover some more unusual situations.

These measurements were taken with the following conditions:

- only one core is running
- there are no cache misses (in particular, no XIP cache misses)
- there there is no active DMA

Any of the above conditions can affect the timing of instruction fetch as well as of load and store operations. See the description of the [bus fabric](#) elsewhere in this datasheet for information on possible contention for access to memory.

3.7.4.9.1. Result delays

Some instructions generate results with a two-cycle latency. Using such a result as a source operand for a subsequent instruction incurs a one-cycle **result-use penalty**. Most of the input values of any instruction count as source operands, including:

- any source register in a data processing (ALU) instruction
- any registers used in address generation by an **LDR** or **LDM** (including **R13** in the case of **POP**)
- any registers used in address generation (but not those to be stored) by a **STR** or **STM** (including **R13** in the case of **PUSH**).

The following example shows a load followed by a data-processing instruction, an instruction sequence which incurs this penalty:

```
LDR R0, [R1]
ADD R1, R0, R2
```

The following instructions generate results with a two-cycle latency:

- the destination register arising from some non-simple shifts in certain data-processing instructions (specified in more detail below)
- the destination register or registers of a multiply instruction
- the destination register of an **LDR**
- the *last* register in the register list of an **LDM** or **POP** unless that register is **R15**

Using results of the above instructions as a source operand for another instruction incurs a one-cycle penalty between the operations.

3.7.4.9.2. Simple arithmetic and logical instructions

Most data processing instructions execute in a single cycle. Some **complex** operations (including those listed above and **SEL**) incur a result-use penalty.

Complex operations meet at least one of the following criteria:

- a shifted operand where the shift is not **LSL#0**, **LSL#1**, **LSL#2** or **LSL#3**
- an immediate operand which entails a shift (i.e., not of the form **0x000000XY**, **0xXYXYXYXY**, **0x00XY00XY** or **0xXY00XY00**)

When a complex instruction has the **-S** suffix to set flags, the one-cycle penalty is always incurred, even if the next instruction does not depend on those flag values.

The following operations *do not* incur a penalty:

```
AND R0, R1, R2, LSL#4
MOV R3, R4
```

However, the following operations *do* incur a penalty:

```
AND R0, R1, R2, LSL#4
MOV R3, R0
```

```
ANDS R0, R1, R2, LSL#4
MOV R3, R4
```

ADD and **SUB** are available in variants with a 12-bit plain immediate operand. These *do not* incur a penalty.

MOV and **MOV_S** with an immediate operand, including **MOV** with a 16-bit plain immediate operand, *do not* incur a result-use penalty.

Despite their similarity to logical operations with a shifted operand, **UBFX**, **SBFX** and **BFI** *do not* incur a result-use penalty.

Simple shift instructions (**LSL**, **LSR**, **ASR**, and **ROR**, with the shift amount specified either as an immediate constant or in a register) take one cycle with no result-use penalty.

3.7.4.9.3. Multiply instructions

Multiply and multiply-accumulate instructions execute in a single cycle, but all have a result delay of one cycle.

However, the special case of using the result of a multiply instruction as the accumulate input to a following multiply-accumulate instruction *does not* incur a one-cycle penalty. As a result, repeated multiply-accumulate operations can run at one per cycle, assuming all of the following conditions hold:

- the operations accumulate into the same register or register pair
- the multiplier and multiplicand operands come from other registers

Sequences such as the following can execute one instruction per cycle:

```
MLA R0, R1, R2, R3
MLA R3, R1, R2, R0
MLA R0, R1, R2, R3
MLA R3, R1, R2, R0
...
```

```
UMLAL R0, R1, R4, R5
UMLAL R2, R3, R6, R7
UMLAL R0, R1, R4, R5
UMLAL R2, R3, R6, R7
...
```

The multiplier requires its multiply operands on cycle n , requires its accumulate operand (if any) on cycle $n+1$, and makes its result available on cycle $n+2$.

As a further example, the following sequence completes in 4 cycles:

```
ADD R2, R0, R1, LSL#23
MLA R3, R4, R5, R2
MOV R6, R3
```

The **ADD** would normally incur a one-cycle result-use penalty, but in this case its result is not needed until the second cycle of the multiply-accumulate operation, eliminating the penalty.

3.7.4.9.4. Divide instructions

Let *n* be the difference between the bit positions of the most significant ones in the absolute value of the dividend and the absolute value of the divisor. If *n* is negative (in which case the result will be zero), division takes 2 cycles. Otherwise, division takes $4+n/4$ cycles, rounded down.

Using the result of division as input for the next instruction incurs a a one-cycle result-use penalty.

3.7.4.9.5. Register loads (LDR and LDM)

Loads execute in one cycle per register, plus a possible one-cycle result delay. Loads can slow down if the addressed memory is not able to accept the read request immediately, for example because of contention with instruction prefetch.

From the point of view of result delays, any register used in address generation counts as a source operand. For examples, see [Table 116](#).

Table 116. Load instruction source operand examples

| Instruction | Source Operand | Not a Source Operand |
|-------------------|----------------|----------------------|
| LDR R0, [R5, R6] | R5, R6 | R0 |
| LDMIA R7, {R0-R3} | R7 | R0, R1, R2, R3 |

There is one cycle of result delay associated with the destination register of an **LDR** and with the last register in the register list of an **LDM** or **POP**. For example, **R7** has one cycle of result delay both in **LDR R7, [R5, R6]** and in **LDMIA R0, {R1-R7}**. The latter case incurs no result delay associated with **R1** to **R6**.

Loading **R15** does not cause any result delay; however, extra cycles will be taken as described in [Section 3.7.4.9.7](#).

3.7.4.9.6. Register stores (STR and STM)

Stores, including those which depend on the contents of three different registers such as **STR R0, [R1, R2, LSL#2]**, execute in one cycle. Like loads, stores can slow down if the addressed memory is not able to accept the request immediately.

The registers involved in address generation, but not the register or registers being stored, count as source operands from the point of view of result delays. For examples, see [Table 117](#).

Table 117. Register stores source operand examples

| Instruction | Source Operand | Not a Source Operand |
|--------------------|----------------|----------------------|
| STR R5, [R6, R7] | R6, R7 | R5 |
| STMFD R5!, {R0-R3} | R5 | R0, R1, R2, R3 |

3.7.4.9.7. Branches

This section covers any instruction that can change **R15**, including the following:

- **MOV R15, Rx**

- BNE
- BL
- BX
- LDR R15,...
- POP {...,R15}

When a branch arises from a load (LDR R15,..., LDMxx Rx,{...},R15}, or POP {...,R15}), the basic time for the instruction is that taken by the load instruction itself, as described in [Section 3.7.4.9.5](#).

For other instructions that can change R15 (MOV R15,Rx, B<cond>, BL, BX), the basic time for the instruction is zero.

The total time required for a branch that *does* occur is the basic time + 2 + L + U - (K & F) cycles, and the time required for a branch that *does not* occur is the basic time + 1 - F cycles, where L, U, F, K are each 0 or 1 as described below:

L

1 when the branch arises from a load (LDR R15,[R6], LDMIA R13,{R0-R3,R15}, and so on); 0 otherwise.

U

1 when the *all* of following conditions are true:

- the target address of the branch is not word-aligned
- the instruction at that address is 32 bits long
- the instruction executed immediately prior to the branch is not POP or PUSH

If any of the above conditions are not true, U is 0.

F

indicates when the branch can be dual issued (or "folded") with the previous instruction, PrevInst (the instruction executed immediately prior to the branch). F is 1 when *all* of the following conditions are true:

- the branch instruction is B, B<cond>, or BX R14 (but not BX to any other register or MOV R15,R14)
- PrevInst is 16 bits long
- PrevInst was executed sequentially (i.e., not itself branched to), or PrevInst is word-aligned
- PrevInst itself was not itself folded with a previous instruction

If any of the above conditions are not true, F is 0.

K

1 when it is known that the branch will execute prior to executing PrevInst; 0 otherwise. In other words, K is 1 unless the branch is conditional and PrevInst sets the flags.

For example, the following delay loop takes 299 cycles:

```
10000002: MOVs R5,#100
10000004: SUBS R5,R5,#1
10000006: BNE 0x10000004
```

Those cycles come from the following timings:

- 1 cycle for MOVs R5,#100
- 1 cycle for each SUBS R5,R5,#1
- 2 cycles each for the first 99 BNE instructions (L=U=0, F=1, K=0)
- 0 cycles for the last, non-taken, BNE (L=U=0, F=1, K=0, using the formula 1-F)

At a different alignment, the same delay loop takes 300 cycles:

```

10000000: MOVs R5, #100
10000002: SUBS R5, R5, #1
10000004: BNE 0x10000002

```

Those cycles come from the following timings:

- 1 cycle for `MOVs R5, #100`;
- 1 cycle for each `SUBS R5, R5, #1`;
- 2 cycles for the first `BNE` ($L=U=0, F=1, K=0$);
- 2 cycles each for the next 98 `BNE` instructions ($L=U=0, F=K=0$);
- 1 cycle for the last, non-taken, `BNE` ($L=U=0, F=K=0$, using the formula $1-F$).

This longer delay loop also takes 300 cycles:

```

10000000: MOVs R5, #100
10000002: SUBS R5, R5, #1
10000004: MOV R1, R2
10000006: BNE 0x10000002

```

Those cycles come from the following timings:

- 1 cycle for `MOVs R5, #100`;
- 1 cycle for each `SUBS R5, R5, #1`;
- 1 cycle for each `MOV R1, R2`;
- 1 cycle each for the first 99 `BNE` instructions ($L=U=0, F=K=1$);
- 0 cycles for the last, non-taken, `BNE` ($L=U=0, F=K=1$; using the formula $1-F$).

This example illustrates that, if you can contrive to place an instruction between the loop-end test and the branch, it can potentially have *zero net cost* in execution time.

Another optimisation is to try to ensure that a branch target is either word-aligned or is a 16-bit instruction. Any instruction following a BL can be considered a branch target from this point of view as it is branched to by the return instruction from the subroutine.

If space and cache permit, unrolling loops and inlining subroutines avoids the branch cost altogether.

A sequence of branches not taken will alternately take 0 cycles and 1 cycle. That is the same as a sequence of `NOP` instructions, which can also be folded. However, this is *not* the same as sequence of instructions in an IT block that fail their condition.

3.7.4.9.8. IT (if-then) blocks

Instructions within an IT block whose condition fails execute in one cycle.

Most instructions within an IT block whose condition succeeds take the number of cycles they would have taken in their normal, unconditional state.

3.7.4.9.9. Dual issue

When a 16-bit instruction follows a `NOP` instruction (opcode `0xBF00`, *not* `0x46C0`), the instructions are **folded**, executing the `NOP` in zero cycles. In some situations, this can help align a branch target to a word-aligned address without an

execution-time penalty.

When a 16-bit opcode follows an **IT** instruction, the **IT** instruction executes in zero cycles.

The Cortex-M33 core folds a **NOP** with the previous instruction (**PrevInst**) if all of the following conditions are true:

- **PrevInst** is 16 bits long
- **PrevInst** was executed sequentially (not itself branched to) or **PrevInst** is word-aligned
- **PrevInst** was not itself folded with a previous instruction

Branches not taken are in this sense similar to **NOP** instructions: they can be folded according to the same rule. For further detail on when taken and not taken branches are folded, see [Section 3.7.4.9.7](#).

When two multi-cycle instructions are folded, at most one cycle can overlap between the instructions.

3.7.4.9.10. Floating-point coprocessor operations

This section describes operations involving the single-precision floating-point coprocessor (FPU). For timings relating to the GPIO coprocessor, the double-precision coprocessor, and the redundancy coprocessor, see [Section 3.7.4.9.11](#) and the detailed descriptions of those coprocessors elsewhere in this document.

Issuing a floating-point instruction occupies the integer core for one cycle. After that, the integer core can proceed with other non-FPU operations without interruption.

Attempting to issue another FPU instruction stalls execution until the FPU is ready to accept the FPU instruction.

The following list details the timings of various FPU instructions:

- **VADD.F32**, **VSUB.F32** and **VMUL.F32** can execute in one cycle, but have an additional cycle of result delay. As a result, the following example sequence executes at two cycles per instruction:

```
VADD.F32 s0, s0, s2
VADD.F32 s0, s0, s3
VADD.F32 s0, s0, s4
VADD.F32 s0, s0, s5
...
```

The following interleaved example, however, executes at one cycle per instruction:

```
VADD.F32 s0, s0, s2
VADD.F32 s1, s1, s3
VADD.F32 s0, s0, s4
VADD.F32 s1, s1, s5
...
```

Furthermore, you can interleave **VADD.F32**, **VSUB.F32** and **VMUL.F32** instructions arbitrarily to execute in one cycle, as long as no instruction depends on the result of its predecessor.

- **VMLA.F32** and **VFMA.F32** occupy the FPU for 3 cycles, plus one cycle of result delay.

However, *consecutive* **VMLA.F32** or **VFMA.F32** instructions accumulating into the same register can run at one instruction every three cycles.

- When the work can be interleaved, separate **VMUL.F32** and **VADD.F32** instructions are faster than a single **VMLA.F32** instruction.
- **VDIV.F32** and **VSQRT.F32** occupy the FPU for 14 cycles, plus one cycle of result delay.
- **VMOV.F32 Sx, Ry** (move one word from integer register to coprocessor) takes one cycle.

- **VMOV.F32 Rx,Sy** (move one word from coprocessor to integer register) takes one cycle plus one cycle of result delay.
- **VMOV.F32 Sx,Sy** (move one word between coprocessor registers) takes one cycle.
- **VMOV.F64 Dx,Ry,Rz** (move two words from integer registers to coprocessor) occupies the FPU for two cycles and the integer core for one cycle.
- **VMOV.F64 Rx,Ry,Dz** (move two words from coprocessor to integer registers) occupies both the FPU and the integer core for two cycles.

3.7.4.9.11. Other coprocessor operations

A coprocessor can stall an operation if it is not ready. For more information, see the documentation for the specific coprocessor.

The following list details the timings of various coprocessor instructions:

- Assuming that no stalls occur, a **CDP** instruction takes one cycle.
- An **MCR** instruction (move one word from integer register to coprocessor) takes one cycle.
- An **MRC** instruction (move one word from coprocessor to integer register) takes one cycle, plus one cycle of result delay.
- An **MCRR** instruction (move two words from integer registers to coprocessor) takes one cycle.
- An **MRRC** instruction (move two words from coprocessor to integer registers) takes one cycle, plus one cycle of result delay.

3.7.4.9.12. Instruction fetch

Each Cortex-M33 core has separate instruction and data buses ("Harvard architecture"). Each core has a bandwidth to memory of 32 bits per cycle. Since each instruction is at most 32 bits long, for sequential code the instruction prefetcher has enough bandwidth to ensure that the processor core always has instructions.

In RP2350, contention can occur when the instruction and data buses attempt to access data stored in memory connected to the same downstream port of the AHB5 crossbar. For example, code running from the main SRAM might attempt to load a literal stored nearby. That load might conflict with an instruction prefetch to the same SRAM. To reduce the chance of this conflict, the main SRAM is striped into banks across groups of four words: words at addresses that are different modulo 16 are stored in different banks.

Since the prefetcher typically runs about two words (8 bytes) ahead of execution, that means that an instruction that reads 8 (modulo 16) bytes ahead of itself is liable to result in a conflict. For example, the following instruction, which reads 40 bytes ahead (because here **PC** means the address of the next instruction), can sometimes incur a penalty of one cycle:

```
LDR R8, [PC, #32] @ 32-bit instruction
```

3.7.4.10. Debug

Cortex-M33 debug functionality includes processor halt, single-step, processor core register access, Vector Catch, unlimited software breakpoints, and full system memory access.

The processor also includes support for hardware breakpoints and watchpoints configured during implementation:

- A breakpoint unit supporting eight instruction comparators
- A watchpoint unit supporting four data watchpoint comparators

The Cortex-M33 processor supports system level debug authentication to control access from a debugger to resources

and memory. Authentication via the Armv8-M Security Extension can be used to allow a debugger full access to Non-secure code and data without exposing any Secure information.

The processor implementation can be partitioned to place the debug components in a separate power domain from the processor core and NVIC.

All debug registers are accessible by the D-AHB interface.

For more information, see the [Armv8-M Architecture Reference Manual](#).

3.7.4.11. Data Watchpoint and Trace unit (DWT)

The DWT is a full configuration, containing four comparators ([DWT_COMP0](#) to [DWT_COMP3](#)). These comparators support the following features:

- Hardware watchpoint support
- Hardware trace packet support
- CMPMATCH support for ETM/MTB/CTI triggers
- Cycle counter matching support ([DWT_COMP0](#) only)
- Instruction address matching support
- Data address matching support
- Data value matching support ([DWT_COMP1](#) only in a reduced DWT, [DWT_COMP3](#) only in a Full DWT)
- Linked/limit matching support ([DWT_COMP1](#) and [DWT_COMP3](#) only)

The DWT contains counters for:

- Cycles ([DWT_CYCCNT.CYCCNT](#))
- Folded Instructions (FOLDCNT)
- Additional cycles required to execute all load/store instructions (LSUCNT)
- Processor sleep cycles (SLEPCNT)
- Additional cycles required to execute multi-cycle instructions and instruction fetch stalls (CPICNT)
- Cycles spent in exception processing (EXCCNT)

Before using DWT, set the [DEMCR.TRCENA](#) bit to 1.

The DWT provides periodic requests for protocol synchronization to the ITM and the TPIU.

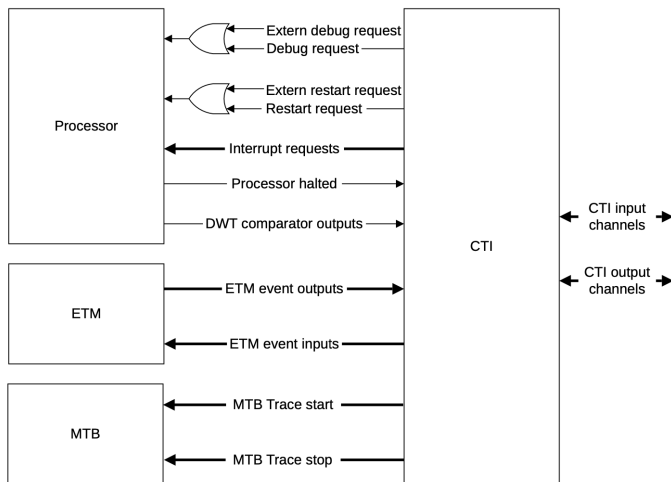
3.7.4.12. Cross Trigger Interface (CTI)

The CTI enables the debug logic, MTB, and ETM to interact with each other and with other CoreSight components. This is called cross triggering. For example, you can configure the CTI to generate an interrupt when the ETM trigger event occurs or to start tracing when a DWT comparator match is detected.

The following figure shows the debug system components and the available trigger inputs and trigger outputs:

[Figure 15](#) shows the components of the debug system.

Figure 15. Debug system components



The following table shows how the CTI trigger inputs are connected to the Cortex-M33 processor:

Table 118. Trigger signals to the CTI

| Signal | Description | Connection | Acknowledge, handshake |
|--------------|---|----------------------|------------------------|
| CTITRIGIN[7] | | ETM to CTI | Pulsed |
| CTITRIGIN[6] | | ETM to CTI | Pulsed |
| CTITRIGIN[5] | ETM Event Output 1 | ETM to CTI | Pulsed |
| CTITRIGIN[4] | ETM Event Output 0 or Comparator Output 3 | ETM/Processor to CTI | Pulsed |
| CTITRIGIN[3] | DWT Comparator Output 2 | Processor to CTI | Pulsed |
| CTITRIGIN[2] | DWT Comparator Output 1 | Processor to CTI | Pulsed |
| CTITRIGIN[1] | DWT Comparator Output 0 | Processor to CTI | Pulsed |
| CTITRIGIN[0] | Processor Halted | Processor to CTI | Pulsed |

The following table shows how the CTI trigger outputs are connected to the processor and ETM:

Table 119. Trigger signals from the CTI

| Signal | Description | Connection | Acknowledge, handshake |
|---------------|--------------------------------------|-------------------|--|
| CTITRIGOUT[7] | ETM Event Input 3 | CTI to ETM | Pulsed |
| CTITRIGOUT[6] | ETM Event Input 2 | CTI to ETM | Pulsed |
| CTITRIGOUT[5] | ETM Event Input 1 or MTB Trace stop | CTI to ETM or MTB | Pulsed |
| CTITRIGOUT[4] | ETM Event Input 1 or MTB Trace start | CTI to ETM or MTB | Pulsed |
| CTITRIGOUT[3] | Interrupt request 1 | CTI to system | Acknowledged by writing to the CTIINTACK register in ISR |
| CTITRIGOUT[2] | Interrupt request 0 | CTI to system | Acknowledged by writing to the CTIINTACK register in ISR |
| CTITRIGOUT[1] | Processor Restart | CTI to Processor | Processor Restarted |

| Signal | Description | Connection | Acknowledge, handshake |
|---------------|-------------------------|------------------|--|
| CTITRIGOUT[0] | Processor debug request | CTI to Processor | Acknowledged by the debugger writing to the CTIINTACK register |

After the processor is halted using CTI Trigger Output 0, the Processor Debug Request signal remains asserted. The debugger must write to [CTIINTACK](#) to clear the halting request before restarting the processor.

After asserting an interrupt using the CTI Trigger Output 1 or 2, the Interrupt Service Routine (ISR) must clear the interrupt request by writing to the CTI Interrupt Acknowledge, [CTIINTACK](#).

Interrupt requests from the CTI to the system are only asserted when invasive debug is enabled in the processor.

3.7.4.12.1. CTI programmers model

The following table shows the CTI programmable registers, with address offset, type, and reset value for each register. See the Arm [CoreSight™ SoC-400 Technical Reference Manual](#) for register descriptions.

Table 120. Cortex-M33 CTI register summary

| Address offset | Name | Type | Reset value | Description |
|-----------------------|----------------------------------|------|-------------|--|
| 0xE0042000 | CTICONTROL | RW | 0x00000000 | CTI Control Register |
| 0xE0042010 | CTIINTACK | WO | UNKNOWN | CTI Interrupt Acknowledge Register |
| 0xE0042014 | CTIAPPSET | RW | 0x00000000 | CTI Application Trigger Set Register |
| 0xE0042018 | CTIAPPCLEAR | RW | 0x00000000 | CTI Application Trigger Clear Register |
| 0xE004201C | CTIAPPULSE | WO | UNKNOWN | CTI Application Pulse Register |
| 0xE0042020-0xE004203C | CTIINEN[7:0] | RW | 0x00000000 | CTI Trigger to Channel Enable Registers |
| 0xE00420A0-0xE00420BC | CTIOUTEN[7:0] | RW | 0x00000000 | CTI Channel to Trigger Enable Registers |
| 0xE0042130 | CTITRIGINSTATUS | RO | 0x00000000 | CTI Trigger In Status Register |
| 0xE0042134 | CTITRIGOUTSTATUS | RO | 0x00000000 | CTI Trigger Out Status Register |
| 0xE0042138 | CTICHINSTATUS | RO | 0x00000000 | CTI Channel In Status Register |
| 0xE0042140 | CTIGATE | RW | 0x0000000F | Enable CTI Channel Gate Register |
| 0xE0042144 | ASICCTL | RW | 0x00000000 | External Multiplexer Control Register |
| 0xE0042EE4 | ITCHOUT | WO | UNKNOWN | Integration Test Channel Output Register |
| 0xE0042EE8 | ITTRIGOUT | WO | UNKNOWN | Integration Test Trigger Output Register |
| 0xE0042EF4 | ITCHIN | RO | 0x00000000 | Integration Test Channel Input Register |
| 0xE0042F00 | ITCTRL | RW | 0x00000000 | Integration Mode Control Register |
| 0xE0042FC8 | DEVID | RO | 0x00040800 | Device Configuration Register |
| 0xE0042FBC | DEVARCH | RO | 0x47701A14 | Device Architecture Register |

| Address offset | Name | Type | Reset value | Description |
|----------------|---------|------|-------------|---------------------------------|
| 0xE0042FCC | DEVTYPE | RO | 0x00000014 | Device Type Identifier Register |
| 0xE0042FD0 | PIDR4 | RO | 0x00000004 | Peripheral ID4 Register |
| 0xE0042FD4 | PIDR5 | RO | 0x00000000 | Peripheral ID5 Register |
| 0xE0042FD8 | PIDR6 | RO | 0x00000000 | Peripheral ID6 Register |
| 0xE0042FDC | PIDR7 | RO | 0x00000000 | Peripheral ID7 Register |
| 0xE0042FE0 | PIDR0 | RO | 0x00000021 | Peripheral ID0 Register |
| 0xE0042FE4 | PIDR1 | RO | 0x000000BD | Peripheral ID1 Register |
| 0xE0042FE8 | PIDR2 | RO | 0x0000000B | Peripheral ID2 Register |
| 0xE0042FEC | PIDR3 | RO | 0x00000001 | Peripheral ID3 Register |
| 0xE0042FF0 | CIDR0 | RO | 0x0000000D | Component ID0 Register |
| 0xE0042FF4 | CIDR1 | RO | 0x00000090 | Component ID1 Register |
| 0xE0042FF8 | CIDR2 | RO | 0x00000005 | Component ID2 Register |
| 0xE0042FFC | CIDR3 | RO | 0x000000B1 | Component ID3 Register |

3.7.5. List of registers

The Arm Cortex-M33 registers start at a base address of 0xe0000000, defined as `PPB_BASE` in the SDK.

Table 121. List of M33 registers

| Offset | Name | Info |
|---------|------------|-------------------------------|
| 0x00000 | ITM_STIM0 | ITM Stimulus Port Register 0 |
| 0x00004 | ITM_STIM1 | ITM Stimulus Port Register 1 |
| 0x00008 | ITM_STIM2 | ITM Stimulus Port Register 2 |
| 0x0000c | ITM_STIM3 | ITM Stimulus Port Register 3 |
| 0x00010 | ITM_STIM4 | ITM Stimulus Port Register 4 |
| 0x00014 | ITM_STIM5 | ITM Stimulus Port Register 5 |
| 0x00018 | ITM_STIM6 | ITM Stimulus Port Register 6 |
| 0x0001c | ITM_STIM7 | ITM Stimulus Port Register 7 |
| 0x00020 | ITM_STIM8 | ITM Stimulus Port Register 8 |
| 0x00024 | ITM_STIM9 | ITM Stimulus Port Register 9 |
| 0x00028 | ITM_STIM10 | ITM Stimulus Port Register 10 |
| 0x0002c | ITM_STIM11 | ITM Stimulus Port Register 11 |
| 0x00030 | ITM_STIM12 | ITM Stimulus Port Register 12 |
| 0x00034 | ITM_STIM13 | ITM Stimulus Port Register 13 |
| 0x00038 | ITM_STIM14 | ITM Stimulus Port Register 14 |
| 0x0003c | ITM_STIM15 | ITM Stimulus Port Register 15 |
| 0x00040 | ITM_STIM16 | ITM Stimulus Port Register 16 |
| 0x00044 | ITM_STIM17 | ITM Stimulus Port Register 17 |

| Offset | Name | Info |
|---------|-----------------------------|--|
| 0x00048 | ITM_STIM18 | ITM Stimulus Port Register 18 |
| 0x0004c | ITM_STIM19 | ITM Stimulus Port Register 19 |
| 0x00050 | ITM_STIM20 | ITM Stimulus Port Register 20 |
| 0x00054 | ITM_STIM21 | ITM Stimulus Port Register 21 |
| 0x00058 | ITM_STIM22 | ITM Stimulus Port Register 22 |
| 0x0005c | ITM_STIM23 | ITM Stimulus Port Register 23 |
| 0x00060 | ITM_STIM24 | ITM Stimulus Port Register 24 |
| 0x00064 | ITM_STIM25 | ITM Stimulus Port Register 25 |
| 0x00068 | ITM_STIM26 | ITM Stimulus Port Register 26 |
| 0x0006c | ITM_STIM27 | ITM Stimulus Port Register 27 |
| 0x00070 | ITM_STIM28 | ITM Stimulus Port Register 28 |
| 0x00074 | ITM_STIM29 | ITM Stimulus Port Register 29 |
| 0x00078 | ITM_STIM30 | ITM Stimulus Port Register 30 |
| 0x0007c | ITM_STIM31 | ITM Stimulus Port Register 31 |
| 0x00e00 | ITM_TER0 | Provide an individual enable bit for each ITM_STIM register |
| 0x00e40 | ITM_TPR | Controls which stimulus ports can be accessed by unprivileged code |
| 0x00e80 | ITM_TCR | Configures and controls transfers through the ITM interface |
| 0x00ef0 | INT_ATREADY | Integration Mode: Read ATB Ready |
| 0x00ef8 | INT_ATVALID | Integration Mode: Write ATB Valid |
| 0x00f00 | ITM_ITCTRL | Integration Mode Control Register |
| 0x00fbc | ITM_DEVARCH | Provides CoreSight discovery information for the ITM |
| 0x00fcc | ITM_DEVTYPE | Provides CoreSight discovery information for the ITM |
| 0x00fd0 | ITM_PIDR4 | Provides CoreSight discovery information for the ITM |
| 0x00fd4 | ITM_PIDR5 | Provides CoreSight discovery information for the ITM |
| 0x00fd8 | ITM_PIDR6 | Provides CoreSight discovery information for the ITM |
| 0x00fdc | ITM_PIDR7 | Provides CoreSight discovery information for the ITM |
| 0x00fe0 | ITM_PIDR0 | Provides CoreSight discovery information for the ITM |
| 0x00fe4 | ITM_PIDR1 | Provides CoreSight discovery information for the ITM |
| 0x00fe8 | ITM_PIDR2 | Provides CoreSight discovery information for the ITM |
| 0x00fec | ITM_PIDR3 | Provides CoreSight discovery information for the ITM |
| 0x00ff0 | ITM_CIDR0 | Provides CoreSight discovery information for the ITM |
| 0x00ff4 | ITM_CIDR1 | Provides CoreSight discovery information for the ITM |
| 0x00ff8 | ITM_CIDR2 | Provides CoreSight discovery information for the ITM |
| 0x00ffc | ITM_CIDR3 | Provides CoreSight discovery information for the ITM |

| Offset | Name | Info |
|---------|-------------------------------|--|
| 0x01000 | DWT_CTRL | Provides configuration and status information for the DWT unit, and used to control features of the unit |
| 0x01004 | DWT_CYCCNT | Shows or sets the value of the processor cycle counter, CYCCNT |
| 0x0100c | DWT_EXCCNT | Counts the total cycles spent in exception processing |
| 0x01014 | DWT_LSUCNT | Increments on the additional cycles required to execute all load or store instructions |
| 0x01018 | DWT_FOLDCNT | Increments on the additional cycles required to execute all load or store instructions |
| 0x01020 | DWT_COMP0 | Provides a reference value for use by watchpoint comparator 0 |
| 0x01028 | DWT_FUNCTION0 | Controls the operation of watchpoint comparator 0 |
| 0x01030 | DWT_COMP1 | Provides a reference value for use by watchpoint comparator 1 |
| 0x01038 | DWT_FUNCTION1 | Controls the operation of watchpoint comparator 1 |
| 0x01040 | DWT_COMP2 | Provides a reference value for use by watchpoint comparator 2 |
| 0x01048 | DWT_FUNCTION2 | Controls the operation of watchpoint comparator 2 |
| 0x01050 | DWT_COMP3 | Provides a reference value for use by watchpoint comparator 3 |
| 0x01058 | DWT_FUNCTION3 | Controls the operation of watchpoint comparator 3 |
| 0x01fbc | DWT_DEVARCH | Provides CoreSight discovery information for the DWT |
| 0x01fcc | DWT_DEVTYPE | Provides CoreSight discovery information for the DWT |
| 0x01fd0 | DWT_PIDR4 | Provides CoreSight discovery information for the DWT |
| 0x01fd4 | DWT_PIDR5 | Provides CoreSight discovery information for the DWT |
| 0x01fd8 | DWT_PIDR6 | Provides CoreSight discovery information for the DWT |
| 0x01fdc | DWT_PIDR7 | Provides CoreSight discovery information for the DWT |
| 0x01fe0 | DWT_PIDR0 | Provides CoreSight discovery information for the DWT |
| 0x01fe4 | DWT_PIDR1 | Provides CoreSight discovery information for the DWT |
| 0x01fe8 | DWT_PIDR2 | Provides CoreSight discovery information for the DWT |
| 0x01fec | DWT_PIDR3 | Provides CoreSight discovery information for the DWT |
| 0x01ff0 | DWT_CIDR0 | Provides CoreSight discovery information for the DWT |
| 0x01ff4 | DWT_CIDR1 | Provides CoreSight discovery information for the DWT |
| 0x01ff8 | DWT_CIDR2 | Provides CoreSight discovery information for the DWT |
| 0x01ffc | DWT_CIDR3 | Provides CoreSight discovery information for the DWT |
| 0x02000 | FP_CTRL | Provides FPB implementation information, and the global enable for the FPB unit |
| 0x02004 | FP_REMAP | Indicates whether the implementation supports Flash Patch remap and, if it does, holds the target address for remap |
| 0x02008 | FP_COMP0 | Holds an address for comparison. The effect of the match depends on the configuration of the FPB and whether the comparator is an instruction address comparator or a literal address comparator |

| Offset | Name | Info |
|---------|----------------------------|--|
| 0x0200c | FP_COMP1 | Holds an address for comparison. The effect of the match depends on the configuration of the FPB and whether the comparator is an instruction address comparator or a literal address comparator |
| 0x02010 | FP_COMP2 | Holds an address for comparison. The effect of the match depends on the configuration of the FPB and whether the comparator is an instruction address comparator or a literal address comparator |
| 0x02014 | FP_COMP3 | Holds an address for comparison. The effect of the match depends on the configuration of the FPB and whether the comparator is an instruction address comparator or a literal address comparator |
| 0x02018 | FP_COMP4 | Holds an address for comparison. The effect of the match depends on the configuration of the FPB and whether the comparator is an instruction address comparator or a literal address comparator |
| 0x0201c | FP_COMP5 | Holds an address for comparison. The effect of the match depends on the configuration of the FPB and whether the comparator is an instruction address comparator or a literal address comparator |
| 0x02020 | FP_COMP6 | Holds an address for comparison. The effect of the match depends on the configuration of the FPB and whether the comparator is an instruction address comparator or a literal address comparator |
| 0x02024 | FP_COMP7 | Holds an address for comparison. The effect of the match depends on the configuration of the FPB and whether the comparator is an instruction address comparator or a literal address comparator |
| 0x02fbc | FP_DEVARCH | Provides CoreSight discovery information for the FPB |
| 0x02fcc | FP_DEVTYPE | Provides CoreSight discovery information for the FPB |
| 0x02fd0 | FP_PIDR4 | Provides CoreSight discovery information for the FP |
| 0x02fd4 | FP_PIDR5 | Provides CoreSight discovery information for the FP |
| 0x02fd8 | FP_PIDR6 | Provides CoreSight discovery information for the FP |
| 0x02fdc | FP_PIDR7 | Provides CoreSight discovery information for the FP |
| 0x02fe0 | FP_PIDR0 | Provides CoreSight discovery information for the FP |
| 0x02fe4 | FP_PIDR1 | Provides CoreSight discovery information for the FP |
| 0x02fe8 | FP_PIDR2 | Provides CoreSight discovery information for the FP |
| 0x02fec | FP_PIDR3 | Provides CoreSight discovery information for the FP |
| 0x02ff0 | FP_CIDR0 | Provides CoreSight discovery information for the FP |
| 0x02ff4 | FP_CIDR1 | Provides CoreSight discovery information for the FP |
| 0x02ff8 | FP_CIDR2 | Provides CoreSight discovery information for the FP |
| 0x02ffc | FP_CIDR3 | Provides CoreSight discovery information for the FP |
| 0x0e004 | ICTR | Provides information about the interrupt controller |

| Offset | Name | Info |
|---------|----------------------------|---|
| 0x0e008 | ACTLR | Provides IMPLEMENTATION DEFINED configuration and control options |
| 0x0e010 | SYST_CSR | SysTick Control and Status Register |
| 0x0e014 | SYST_RVR | SysTick Reload Value Register |
| 0x0e018 | SYST_CVR | SysTick Current Value Register |
| 0x0e01c | SYST_CALIB | SysTick Calibration Value Register |
| 0x0e100 | NVIC_ISER0 | Enables or reads the enabled state of each group of 32 interrupts |
| 0x0e104 | NVIC_ISER1 | Enables or reads the enabled state of each group of 32 interrupts |
| 0x0e180 | NVIC_ICER0 | Clears or reads the enabled state of each group of 32 interrupts |
| 0x0e184 | NVIC_ICER1 | Clears or reads the enabled state of each group of 32 interrupts |
| 0x0e200 | NVIC_ISPR0 | Enables or reads the pending state of each group of 32 interrupts |
| 0x0e204 | NVIC_ISPR1 | Enables or reads the pending state of each group of 32 interrupts |
| 0x0e280 | NVIC_ICPR0 | Clears or reads the pending state of each group of 32 interrupts |
| 0x0e284 | NVIC_ICPR1 | Clears or reads the pending state of each group of 32 interrupts |
| 0x0e300 | NVIC_IABR0 | For each group of 32 interrupts, shows the active state of each interrupt |
| 0x0e304 | NVIC_IABR1 | For each group of 32 interrupts, shows the active state of each interrupt |
| 0x0e380 | NVIC_ITNS0 | For each group of 32 interrupts, determines whether each interrupt targets Non-secure or Secure state |
| 0x0e384 | NVIC_ITNS1 | For each group of 32 interrupts, determines whether each interrupt targets Non-secure or Secure state |
| 0x0e400 | NVIC_IPR0 | Sets or reads interrupt priorities |
| 0x0e404 | NVIC_IPR1 | Sets or reads interrupt priorities |
| 0x0e408 | NVIC_IPR2 | Sets or reads interrupt priorities |
| 0x0e40c | NVIC_IPR3 | Sets or reads interrupt priorities |
| 0x0e410 | NVIC_IPR4 | Sets or reads interrupt priorities |
| 0x0e414 | NVIC_IPR5 | Sets or reads interrupt priorities |
| 0x0e418 | NVIC_IPR6 | Sets or reads interrupt priorities |
| 0x0e41c | NVIC_IPR7 | Sets or reads interrupt priorities |
| 0x0e420 | NVIC_IPR8 | Sets or reads interrupt priorities |
| 0x0e424 | NVIC_IPR9 | Sets or reads interrupt priorities |
| 0x0e428 | NVIC_IPR10 | Sets or reads interrupt priorities |
| 0x0e42c | NVIC_IPR11 | Sets or reads interrupt priorities |
| 0x0e430 | NVIC_IPR12 | Sets or reads interrupt priorities |
| 0x0e434 | NVIC_IPR13 | Sets or reads interrupt priorities |
| 0x0e438 | NVIC_IPR14 | Sets or reads interrupt priorities |

| Offset | Name | Info |
|---------|----------------------------|---|
| 0x0e43c | NVIC_IPR15 | Sets or reads interrupt priorities |
| 0x0ed00 | CPUID | Provides identification information for the PE, including an implementer code for the device and a device ID number |
| 0x0ed04 | ICSR | Controls and provides status information for NMI, PendSV, SysTick and interrupts |
| 0x0ed08 | VTOR | Vector Table Offset Register |
| 0x0ed0c | AIRCR | Application Interrupt and Reset Control Register |
| 0x0ed10 | SCR | System Control Register |
| 0x0ed14 | CCR | Sets or returns configuration and control data |
| 0x0ed18 | SHPR1 | Sets or returns priority for system handlers 4 - 7 |
| 0x0ed1c | SHPR2 | Sets or returns priority for system handlers 8 - 11 |
| 0x0ed20 | SHPR3 | Sets or returns priority for system handlers 12 - 15 |
| 0x0ed24 | SHCSR | Provides access to the active and pending status of system exceptions |
| 0x0ed28 | CFSR | Contains the three Configurable Fault Status Registers. 31:16 UFSR: Provides information on UsageFault exceptions 15:8 BFSR: Provides information on BusFault exceptions 7:0 MMFSR: Provides information on MemManage exceptions |
| 0x0ed2c | HFSR | Shows the cause of any HardFaults |
| 0x0ed30 | DFSR | Shows which debug event occurred |
| 0x0ed34 | MMFAR | Shows the address of the memory location that caused an MPU fault |
| 0x0ed38 | BFAR | Shows the address associated with a precise data access BusFault |
| 0x0ed40 | ID_PFR0 | Gives top-level information about the instruction set supported by the PE |
| 0x0ed44 | ID_PFR1 | Gives information about the programmers' model and Extensions support |
| 0x0ed48 | ID_DFR0 | Provides top level information about the debug system |
| 0x0ed4c | ID_AFR0 | Provides information about the IMPLEMENTATION DEFINED features of the PE |
| 0x0ed50 | ID_MMFR0 | Provides information about the implemented memory model and memory management support |
| 0x0ed54 | ID_MMFR1 | Provides information about the implemented memory model and memory management support |
| 0x0ed58 | ID_MMFR2 | Provides information about the implemented memory model and memory management support |
| 0x0ed5c | ID_MMFR3 | Provides information about the implemented memory model and memory management support |

| Offset | Name | Info |
|---------|-------------|---|
| 0x0ed60 | ID_ISAR0 | Provides information about the instruction set implemented by the PE |
| 0x0ed64 | ID_ISAR1 | Provides information about the instruction set implemented by the PE |
| 0x0ed68 | ID_ISAR2 | Provides information about the instruction set implemented by the PE |
| 0x0ed6c | ID_ISAR3 | Provides information about the instruction set implemented by the PE |
| 0x0ed70 | ID_ISAR4 | Provides information about the instruction set implemented by the PE |
| 0x0ed74 | ID_ISAR5 | Provides information about the instruction set implemented by the PE |
| 0x0ed7c | CTR | Provides information about the architecture of the caches. CTR is RES0 if CLIDR is zero. |
| 0x0ed88 | CPACR | Specifies the access privileges for coprocessors and the FP Extension |
| 0x0ed8c | NSACR | Defines the Non-secure access permissions for both the FP Extension and coprocessors CP0 to CP7 |
| 0x0ed90 | MPU_TYPE | The MPU Type Register indicates how many regions the MPU `FTSSS supports |
| 0x0ed94 | MPU_CTRL | Enables the MPU and, when the MPU is enabled, controls whether the default memory map is enabled as a background region for privileged accesses, and whether the MPU is enabled for HardFaults, NMIs, and exception handlers when FAULTMASK is set to 1 |
| 0x0ed98 | MPU_RNR | Selects the region currently accessed by MPU_RBAR and MPU_RLAR |
| 0x0ed9c | MPU_RBAR | Provides indirect read and write access to the base address of the currently selected MPU region `FTSSS |
| 0x0eda0 | MPU_RLAR | Provides indirect read and write access to the limit address of the currently selected MPU region `FTSSS |
| 0x0eda4 | MPU_RBAR_A1 | Provides indirect read and write access to the base address of the MPU region selected by MPU_RNR[7:2]:(1[1:0]) `FTSSS |
| 0x0eda8 | MPU_RLAR_A1 | Provides indirect read and write access to the limit address of the currently selected MPU region selected by MPU_RNR[7:2]:(1[1:0]) `FTSSS |
| 0x0edac | MPU_RBAR_A2 | Provides indirect read and write access to the base address of the MPU region selected by MPU_RNR[7:2]:(2[1:0]) `FTSSS |
| 0x0edb0 | MPU_RLAR_A2 | Provides indirect read and write access to the limit address of the currently selected MPU region selected by MPU_RNR[7:2]:(2[1:0]) `FTSSS |
| 0x0edb4 | MPU_RBAR_A3 | Provides indirect read and write access to the base address of the MPU region selected by MPU_RNR[7:2]:(3[1:0]) `FTSSS |

| Offset | Name | Info |
|---------|-------------|---|
| 0x0edb8 | MPU_RLAR_A3 | Provides indirect read and write access to the limit address of the currently selected MPU region selected by MPU_RNR[7:2]:(3[1:0]) `FTSSS |
| 0x0edc0 | MPU_MAIR0 | Along with MPU_MAIR1, provides the memory attribute encodings corresponding to the AttrIndex values |
| 0x0edc4 | MPU_MAIR1 | Along with MPU_MAIR0, provides the memory attribute encodings corresponding to the AttrIndex values |
| 0x0edd0 | SAU_CTRL | Allows enabling of the Security Attribution Unit |
| 0x0edd4 | SAU_TYPE | Indicates the number of regions implemented by the Security Attribution Unit |
| 0x0edd8 | SAU_RNR | Selects the region currently accessed by SAU_RBAR and SAU_RLAR |
| 0x0eddc | SAU_RBAR | Provides indirect read and write access to the base address of the currently selected SAU region |
| 0x0ede0 | SAU_RLAR | Provides indirect read and write access to the limit address of the currently selected SAU region |
| 0x0ede4 | SFSR | Provides information about any security related faults |
| 0x0ede8 | SFAR | Shows the address of the memory location that caused a Security violation |
| 0x0edf0 | DHCSR | Controls halting debug |
| 0x0edf4 | DCRSR | With the DCRDR, provides debug access to the general-purpose registers, special-purpose registers, and the FP extension registers. A write to the DCRSR specifies the register to transfer, whether the transfer is a read or write, and starts the transfer |
| 0x0edf8 | DCRDR | With the DCRSR, provides debug access to the general-purpose registers, special-purpose registers, and the FP Extension registers. If the Main Extension is implemented, it can also be used for message passing between an external debugger and a debug agent running on the PE |
| 0x0edfc | DEMCR | Manages vector catch behavior and DebugMonitor handling when debugging |
| 0x0ee08 | DSCSR | Provides control and status information for Secure debug |
| 0x0ef00 | STIR | Provides a mechanism for software to generate an interrupt |
| 0x0ef34 | FPCCR | Holds control data for the Floating-point extension |
| 0x0ef38 | FPCAR | Holds the location of the unpopulated floating-point register space allocated on an exception stack frame |
| 0x0ef3c | FPDSCR | Holds the default values for the floating-point status control data that the PE assigns to the FPSCR when it creates a new floating-point context |
| 0x0ef40 | MVFR0 | Describes the features provided by the Floating-point Extension |
| 0x0ef44 | MVFR1 | Describes the features provided by the Floating-point Extension |
| 0x0ef48 | MVFR2 | Describes the features provided by the Floating-point Extension |
| 0x0efbc | DDEVARCH | Provides CoreSight discovery information for the SCS |

| Offset | Name | Info |
|---------|---------------|--|
| 0x0efcc | DDEVTYPE | Provides CoreSight discovery information for the SCS |
| 0x0efd0 | DPIDR4 | Provides CoreSight discovery information for the SCS |
| 0x0efd4 | DPIDR5 | Provides CoreSight discovery information for the SCS |
| 0x0efd8 | DPIDR6 | Provides CoreSight discovery information for the SCS |
| 0x0efdc | DPIDR7 | Provides CoreSight discovery information for the SCS |
| 0x0efe0 | DPIDR0 | Provides CoreSight discovery information for the SCS |
| 0x0efe4 | DPIDR1 | Provides CoreSight discovery information for the SCS |
| 0x0efe8 | DPIDR2 | Provides CoreSight discovery information for the SCS |
| 0x0efec | DPIDR3 | Provides CoreSight discovery information for the SCS |
| 0x0eff0 | DCIDR0 | Provides CoreSight discovery information for the SCS |
| 0x0eff4 | DCIDR1 | Provides CoreSight discovery information for the SCS |
| 0x0eff8 | DCIDR2 | Provides CoreSight discovery information for the SCS |
| 0x0effc | DCIDR3 | Provides CoreSight discovery information for the SCS |
| 0x41004 | TRCPRGCTLR | Programming Control Register |
| 0x4100c | TRCSTATR | The TRCSTATR indicates the ETM-Teal status |
| 0x41010 | TRCCONFIGR | The TRCCONFIGR sets the basic tracing options for the trace unit |
| 0x41020 | TRCEVENTCTL0R | The TRCEVENTCTL0R controls the tracing of events in the trace stream. The events also drive the ETM-Teal external outputs. |
| 0x41024 | TRCEVENTCTL1R | The TRCEVENTCTL1R controls how the events selected by TRCEVENTCTL0R behave |
| 0x4102c | TRCSTALLCTLR | The TRCSTALLCTLR enables ETM-Teal to stall the processor if the ETM-Teal FIFO goes over the programmed level to minimize risk of overflow |
| 0x41030 | TRCTSCTLR | The TRCTSCTLR controls the insertion of global timestamps into the trace stream. A timestamp is always inserted into the instruction trace stream |
| 0x41034 | TRCSYNCPR | The TRCSYNCPR specifies the period of trace synchronization of the trace streams. TRCSYNCPR defines a number of bytes of trace between requests for trace synchronization. This value is always a power of two |
| 0x41038 | TRCCCCTLR | The TRCCCCTLR sets the threshold value for instruction trace cycle counting. The threshold represents the minimum interval between cycle count trace packets |
| 0x41080 | TRCVICTLR | The TRCVICTLR controls instruction trace filtering |
| 0x41140 | TRCNTRLDVR0 | The TRCNTRLDVR defines the reload value for the reduced function counter |
| 0x41180 | TRCIDR8 | TRCIDR8 |
| 0x41184 | TRCIDR9 | TRCIDR9 |
| 0x41188 | TRCIDR10 | TRCIDR10 |

| Offset | Name | Info |
|---------|---------------|---|
| 0x4118c | TRCIDR11 | TRCIDR11 |
| 0x41190 | TRCIDR12 | TRCIDR12 |
| 0x41194 | TRCIDR13 | TRCIDR13 |
| 0x411c0 | TRCIMSPEC | The TRCIMSPEC shows the presence of any IMPLEMENTATION SPECIFIC features, and enables any features that are provided |
| 0x411e0 | TRCIDR0 | TRCIDR0 |
| 0x411e4 | TRCIDR1 | TRCIDR1 |
| 0x411e8 | TRCIDR2 | TRCIDR2 |
| 0x411ec | TRCIDR3 | TRCIDR3 |
| 0x411f0 | TRCIDR4 | TRCIDR4 |
| 0x411f4 | TRCIDR5 | TRCIDR5 |
| 0x411f8 | TRCIDR6 | TRCIDR6 |
| 0x411fc | TRCIDR7 | TRCIDR7 |
| 0x41208 | TRCRSCTLR2 | The TRCRSCTLR controls the trace resources |
| 0x4120c | TRCRSCTLR3 | The TRCRSCTLR controls the trace resources |
| 0x412a0 | TRCSSCSR | Controls the corresponding single-shot comparator resource |
| 0x412c0 | TRCSSPCICR | Selects the PE comparator inputs for Single-shot control |
| 0x41310 | TRCPDCR | Requests the system to provide power to the trace unit |
| 0x41314 | TRCPDSR | Returns the following information about the trace unit: - OS Lock status. - Core power domain status. - Power interruption status |
| 0x41ee4 | TRCITATBIDR | Trace Intergration ATB Identification Register |
| 0x41ef4 | TRCITIATBINR | Trace Integration Instruction ATB In Register |
| 0x41efc | TRCITIATBOUTR | Trace Integration Instruction ATB Out Register |
| 0x41fa0 | TRCCLAIMSET | Claim Tag Set Register |
| 0x41fa4 | TRCCLAIMCLR | Claim Tag Clear Register |
| 0x41fb8 | TRCAUTHSTATUS | Returns the level of tracing that the trace unit can support |
| 0x41fbc | TRCDEVARCH | TRCDEVARCH |
| 0x41fc8 | TRCDEVID | TRCDEVID |
| 0x41fcc | TRCDEVTYPE | TRCDEVTYPE |
| 0x41fd0 | TRCPIDR4 | TRCPIDR4 |
| 0x41fd4 | TRCPIDR5 | TRCPIDR5 |
| 0x41fd8 | TRCPIDR6 | TRCPIDR6 |
| 0x41fdc | TRCPIDR7 | TRCPIDR7 |
| 0x41fe0 | TRCPIDR0 | TRCPIDR0 |
| 0x41fe4 | TRCPIDR1 | TRCPIDR1 |
| 0x41fe8 | TRCPIDR2 | TRCPIDR2 |

| Offset | Name | Info |
|---------|------------------|--|
| 0x41fec | TRCPIDR3 | TRCPIDR3 |
| 0x41ff0 | TRCCIDR0 | TRCCIDR0 |
| 0x41ff4 | TRCCIDR1 | TRCCIDR1 |
| 0x41ff8 | TRCCIDR2 | TRCCIDR2 |
| 0x41ffc | TRCCIDR3 | TRCCIDR3 |
| 0x42000 | CTICONTROL | CTI Control Register |
| 0x42010 | CTIINTACK | CTI Interrupt Acknowledge Register |
| 0x42014 | CTIAPPSET | CTI Application Trigger Set Register |
| 0x42018 | CTIAPPCLEAR | CTI Application Trigger Clear Register |
| 0x4201c | CTIAPPULSE | CTI Application Pulse Register |
| 0x42020 | CTIINEN0 | CTI Trigger to Channel Enable Registers |
| 0x42024 | CTIINEN1 | CTI Trigger to Channel Enable Registers |
| 0x42028 | CTIINEN2 | CTI Trigger to Channel Enable Registers |
| 0x4202c | CTIINEN3 | CTI Trigger to Channel Enable Registers |
| 0x42030 | CTIINEN4 | CTI Trigger to Channel Enable Registers |
| 0x42034 | CTIINEN5 | CTI Trigger to Channel Enable Registers |
| 0x42038 | CTIINEN6 | CTI Trigger to Channel Enable Registers |
| 0x4203c | CTIINEN7 | CTI Trigger to Channel Enable Registers |
| 0x420a0 | CTIOUTEN0 | CTI Trigger to Channel Enable Registers |
| 0x420a4 | CTIOUTEN1 | CTI Trigger to Channel Enable Registers |
| 0x420a8 | CTIOUTEN2 | CTI Trigger to Channel Enable Registers |
| 0x420ac | CTIOUTEN3 | CTI Trigger to Channel Enable Registers |
| 0x420b0 | CTIOUTEN4 | CTI Trigger to Channel Enable Registers |
| 0x420b4 | CTIOUTEN5 | CTI Trigger to Channel Enable Registers |
| 0x420b8 | CTIOUTEN6 | CTI Trigger to Channel Enable Registers |
| 0x420bc | CTIOUTEN7 | CTI Trigger to Channel Enable Registers |
| 0x42130 | CTITRIGINSTATUS | CTI Trigger to Channel Enable Registers |
| 0x42134 | CTITRIGOUTSTATUS | CTI Trigger In Status Register |
| 0x42138 | CTICHINSTATUS | CTI Channel In Status Register |
| 0x42140 | CTIGATE | Enable CTI Channel Gate register |
| 0x42144 | ASICCTL | External Multiplexer Control register |
| 0x42ee4 | ITCHOUT | Integration Test Channel Output register |
| 0x42ee8 | ITTRIGOUT | Integration Test Trigger Output register |
| 0x42ef4 | ITCHIN | Integration Test Channel Input register |
| 0x42f00 | ITCTRL | Integration Mode Control register |
| 0x42fbc | DEVARCH | Device Architecture register |

| Offset | Name | Info |
|---------|---------|---------------------------------|
| 0x42fc8 | DEVID | Device Configuration register |
| 0x42fcc | DEVTYPE | Device Type Identifier register |
| 0x42fd0 | PIDR4 | CoreSight Periperal ID4 |
| 0x42fd4 | PIDR5 | CoreSight Periperal ID5 |
| 0x42fd8 | PIDR6 | CoreSight Periperal ID6 |
| 0x42fdc | PIDR7 | CoreSight Periperal ID7 |
| 0x42fe0 | PIDR0 | CoreSight Periperal ID0 |
| 0x42fe4 | PIDR1 | CoreSight Periperal ID1 |
| 0x42fe8 | PIDR2 | CoreSight Periperal ID2 |
| 0x42fec | PIDR3 | CoreSight Periperal ID3 |
| 0x42ff0 | CIDR0 | CoreSight Component ID0 |
| 0x42ff4 | CIDR1 | CoreSight Component ID1 |
| 0x42ff8 | CIDR2 | CoreSight Component ID2 |
| 0x42ffc | CIDR3 | CoreSight Component ID3 |

M33: ITM_STIM0, ITM_STIM1, ..., ITM_STIM30, ITM_STIM31 Registers

Offsets: 0x00000, 0x00004, ..., 0x00078, 0x0007c

Description

Provides the interface for generating Instrumentation packets

Table 122. ITM_STIM0, ITM_STIM1, ..., ITM_STIM30, ITM_STIM31 Registers

| Bits | Description | Type | Reset |
|------|--|------|------------|
| 31:0 | STIMULUS: Data to write to the Stimulus Port FIFO, for forwarding as an Instrumentation packet. The size of write access determines the type of Instrumentation packet generated. | RW | 0x00000000 |

M33: ITM_TERO Register

Offset: 0x00e00

Description

Provide an individual enable bit for each ITM_STIM register

Table 123. ITM_TERO Register

| Bits | Description | Type | Reset |
|------|---|------|------------|
| 31:0 | STIMENA: For STIMENA[m] in ITM_TER*n, controls whether ITM_STIM(32*n + m) is enabled | RW | 0x00000000 |

M33: ITM_TPR Register

Offset: 0x00e40

Description

Controls which stimulus ports can be accessed by unprivileged code

Table 124. ITM_TPR Register

| Bits | Description | Type | Reset |
|------|-------------|------|-------|
| 31:4 | Reserved. | - | - |

| Bits | Description | Type | Reset |
|------|---|------|-------|
| 3:0 | PRIVMASK: Bit mask to enable tracing on ITM stimulus ports | RW | 0x0 |

M33: ITM_TCR Register

Offset: 0x00e80

Description

Configures and controls transfers through the ITM interface

Table 125. ITM_TCR Register

| Bits | Description | Type | Reset |
|-------|---|------|-------|
| 31:24 | Reserved. | - | - |
| 23 | BUSY: Indicates whether the ITM is currently processing events | RO | 0x0 |
| 22:16 | TRACEBUSID: Identifier for multi-source trace stream formatting. If multi-source trace is in use, the debugger must write a unique non-zero trace ID value to this field | RW | 0x00 |
| 15:12 | Reserved. | - | - |
| 11:10 | GTSFREQ: Defines how often the ITM generates a global timestamp, based on the global timestamp clock frequency, or disables generation of global timestamps | RW | 0x0 |
| 9:8 | TSPRESCALE: Local timestamp prescaler, used with the trace packet reference clock | RW | 0x0 |
| 7:6 | Reserved. | - | - |
| 5 | STALLENA: Stall the PE to guarantee delivery of Data Trace packets. | RW | 0x0 |
| 4 | SWOENA: Enables asynchronous clocking of the timestamp counter | RW | 0x0 |
| 3 | TXENA: Enables forwarding of hardware event packet from the DWT unit to the ITM for output to the TPIU | RW | 0x0 |
| 2 | SYNCENA: Enables Synchronization packet transmission for a synchronous TPIU | RW | 0x0 |
| 1 | TSENA: Enables Local timestamp generation | RW | 0x0 |
| 0 | ITMENA: Enables the ITM | RW | 0x0 |

M33: INT_ATREADY Register

Offset: 0x00ef0

Description

Integration Mode: Read ATB Ready

Table 126. INT_ATREADY Register

| Bits | Description | Type | Reset |
|------|---|------|-------|
| 31:2 | Reserved. | - | - |
| 1 | AFVALID: A read of this bit returns the value of AFVALID | RO | 0x0 |
| 0 | ATREADY: A read of this bit returns the value of ATREADY | RO | 0x0 |

M33: INT_ATVALID Register

Offset: 0x00ef8

Description

Integration Mode: Write ATB Valid

Table 127.
INT_ATVALID Register

| Bits | Description | Type | Reset |
|------|---|------|-------|
| 31:2 | Reserved. | - | - |
| 1 | AFREADY : A write to this bit gives the value of AFREADY | RW | 0x0 |
| 0 | ATREADY : A write to this bit gives the value of ATVALID | RW | 0x0 |

M33: ITM_ITCTRL Register

Offset: 0x00f00

Description

Integration Mode Control Register

Table 128.
ITM_ITCTRL Register

| Bits | Description | Type | Reset |
|------|---|------|-------|
| 31:1 | Reserved. | - | - |
| 0 | IME : Integration mode enable bit - The possible values are: 0 - The trace unit is not in integration mode. 1 - The trace unit is in integration mode. This mode enables: A debug agent to perform topology detection. SoC test software to perform integration testing. | RW | 0x0 |

M33: ITM_DEVARCH Register

Offset: 0x00fbc

Description

Provides CoreSight discovery information for the ITM

Table 129.
ITM_DEVARCH Register

| Bits | Description | Type | Reset |
|-------|---|------|-------|
| 31:21 | ARCHITECT : Defines the architect of the component. Bits [31:28] are the JEP106 continuation code (JEP106 bank ID, minus 1) and bits [27:21] are the JEP106 ID code. | RO | 0x23b |
| 20 | PRESENT : Defines that the DEVARCH register is present | RO | 0x1 |
| 19:16 | REVISION : Defines the architecture revision of the component | RO | 0x0 |
| 15:12 | ARCHVER : Defines the architecture version of the component | RO | 0x1 |
| 11:0 | ARCHPART : Defines the architecture of the component | RO | 0xa01 |

M33: ITM_DEVTYPE Register

Offset: 0x00fcc

Description

Provides CoreSight discovery information for the ITM

Table 130.
ITM_DEVTYPE Register

| Bits | Description | Type | Reset |
|------|-------------------------------------|------|-------|
| 31:8 | Reserved. | - | - |
| 7:4 | SUB : Component sub-type | RO | 0x4 |
| 3:0 | MAJOR : Component major type | RO | 0x3 |

M33: ITM_PIDR4 Register

Offset: 0x00fd0

Description

Provides CoreSight discovery information for the ITM

Table 131. ITM_PIDR4 Register

| Bits | Description | Type | Reset |
|------|--|------|-------|
| 31:8 | Reserved. | - | - |
| 7:4 | SIZE: See CoreSight Architecture Specification | RO | 0x0 |
| 3:0 | DES_2: See CoreSight Architecture Specification | RO | 0x4 |

M33: ITM_PIDR5 Register

Offset: 0x00fd4

Description

Provides CoreSight discovery information for the ITM

Table 132. ITM_PIDR5 Register

| Bits | Description | Type | Reset |
|------|-------------|------|-------|
| 31:0 | Reserved. | - | - |

M33: ITM_PIDR6 Register

Offset: 0x00fd8

Description

Provides CoreSight discovery information for the ITM

Table 133. ITM_PIDR6 Register

| Bits | Description | Type | Reset |
|------|-------------|------|-------|
| 31:0 | Reserved. | - | - |

M33: ITM_PIDR7 Register

Offset: 0x00fdc

Description

Provides CoreSight discovery information for the ITM

Table 134. ITM_PIDR7 Register

| Bits | Description | Type | Reset |
|------|-------------|------|-------|
| 31:0 | Reserved. | - | - |

M33: ITM_PIDR0 Register

Offset: 0x00fe0

Description

Provides CoreSight discovery information for the ITM

Table 135. ITM_PIDR0 Register

| Bits | Description | Type | Reset |
|------|--|------|-------|
| 31:8 | Reserved. | - | - |
| 7:0 | PART_0 : See CoreSight Architecture Specification | RO | 0x21 |

M33: ITM_PIDR1 Register

Offset: 0x00fe4

Description

Provides CoreSight discovery information for the ITM

Table 136. ITM_PIDR1 Register

| Bits | Description | Type | Reset |
|------|--|------|-------|
| 31:8 | Reserved. | - | - |
| 7:4 | DES_0 : See CoreSight Architecture Specification | RO | 0xb |
| 3:0 | PART_1 : See CoreSight Architecture Specification | RO | 0xd |

M33: ITM_PIDR2 Register

Offset: 0x00fe8

Description

Provides CoreSight discovery information for the ITM

Table 137. ITM_PIDR2 Register

| Bits | Description | Type | Reset |
|------|--|------|-------|
| 31:8 | Reserved. | - | - |
| 7:4 | REVISION : See CoreSight Architecture Specification | RO | 0x0 |
| 3 | JEDEC : See CoreSight Architecture Specification | RO | 0x1 |
| 2:0 | DES_1 : See CoreSight Architecture Specification | RO | 0x3 |

M33: ITM_PIDR3 Register

Offset: 0x00fec

Description

Provides CoreSight discovery information for the ITM

Table 138. ITM_PIDR3 Register

| Bits | Description | Type | Reset |
|------|--|------|-------|
| 31:8 | Reserved. | - | - |
| 7:4 | REVAND : See CoreSight Architecture Specification | RO | 0x0 |
| 3:0 | CMOD : See CoreSight Architecture Specification | RO | 0x0 |

M33: ITM_CIDR0 Register

Offset: 0x00ff0

Description

Provides CoreSight discovery information for the ITM

Table 139. ITM_CIDR0 Register

| Bits | Description | Type | Reset |
|------|---|------|-------|
| 31:8 | Reserved. | - | - |
| 7:0 | PRMBL_0 : See CoreSight Architecture Specification | RO | 0x0d |

M33: ITM_CIDR1 Register

Offset: 0x00ff4

Description

Provides CoreSight discovery information for the ITM

Table 140. ITM_CIDR1 Register

| Bits | Description | Type | Reset |
|------|---|------|-------|
| 31:8 | Reserved. | - | - |
| 7:4 | CLASS : See CoreSight Architecture Specification | RO | 0x9 |
| 3:0 | PRMBL_1 : See CoreSight Architecture Specification | RO | 0x0 |

M33: ITM_CIDR2 Register

Offset: 0x00ff8

Description

Provides CoreSight discovery information for the ITM

Table 141. ITM_CIDR2 Register

| Bits | Description | Type | Reset |
|------|---|------|-------|
| 31:8 | Reserved. | - | - |
| 7:0 | PRMBL_2 : See CoreSight Architecture Specification | RO | 0x05 |

M33: ITM_CIDR3 Register

Offset: 0x00ffc

Description

Provides CoreSight discovery information for the ITM

Table 142. ITM_CIDR3 Register

| Bits | Description | Type | Reset |
|------|---|------|-------|
| 31:8 | Reserved. | - | - |
| 7:0 | PRMBL_3 : See CoreSight Architecture Specification | RO | 0xb1 |

M33: DWT_CTRL Register

Offset: 0x01000

Description

Provides configuration and status information for the DWT unit, and used to control features of the unit

Table 143. DWT_CTRL Register

| Bits | Description | Type | Reset |
|-------|---|------|-------|
| 31:28 | NUMCOMP : Number of DWT comparators implemented | RO | 0x7 |
| 27 | NOTRCPKT : Indicates whether the implementation does not support trace | RO | 0x0 |
| 26 | NOEXTTRIG : Reserved, RAZ | RO | 0x0 |
| 25 | NOCYCCNT : Indicates whether the implementation does not include a cycle counter | RO | 0x1 |

| Bits | Description | Type | Reset |
|-------|--|------|-------|
| 24 | NOPRFCNT : Indicates whether the implementation does not include the profiling counters | RO | 0x1 |
| 23 | CYCDISS : Controls whether the cycle counter is disabled in Secure state | RW | 0x0 |
| 22 | CYCEVTENA : Enables Event Counter packet generation on POSTCNT underflow | RW | 0x1 |
| 21 | FOLDEVTENA : Enables DWT_FOLDCNT counter | RW | 0x1 |
| 20 | LSUEVTENA : Enables DWT_LSUCNT counter | RW | 0x1 |
| 19 | SLEEPEVTENA : Enable DWT_SLEPCNT counter | RW | 0x0 |
| 18 | EXCEVTENA : Enables DWT_EXCCNT counter | RW | 0x1 |
| 17 | CPIEVTENA : Enables DWT_CPICNT counter | RW | 0x0 |
| 16 | EXTTRCENA : Enables generation of Exception Trace packets | RW | 0x0 |
| 15:13 | Reserved. | - | - |
| 12 | PCSAMPLENA : Enables use of POSTCNT counter as a timer for Periodic PC Sample packet generation | RW | 0x1 |
| 11:10 | SYNCTAP : Selects the position of the synchronization packet counter tap on the CYCCNT counter. This determines the Synchronization packet rate | RW | 0x2 |
| 9 | CYCTAP : Selects the position of the POSTCNT tap on the CYCCNT counter | RW | 0x0 |
| 8:5 | POSTINIT : Initial value for the POSTCNT counter | RW | 0x1 |
| 4:1 | POSTPRESET : Reload value for the POSTCNT counter | RW | 0x2 |
| 0 | CYCCNTENA : Enables CYCCNT | RW | 0x0 |

M33: DWT_CYCCNT Register

Offset: 0x01004

Description

Shows or sets the value of the processor cycle counter, CYCCNT

Table 144.
DWT_CYCCNT
Register

| Bits | Description | Type | Reset |
|------|--|------|------------|
| 31:0 | CYCCNT : Increments one on each processor clock cycle when DWT_CTRL.CYCCNTENA == 1 and DEMCR.TRCENA == 1. On overflow, CYCCNT wraps to zero | RW | 0x00000000 |

M33: DWT_EXCCNT Register

Offset: 0x0100c

Description

Counts the total cycles spent in exception processing

Table 145.
DWT_EXCCNT
Register

| Bits | Description | Type | Reset |
|------|-------------|------|-------|
| 31:8 | Reserved. | - | - |

| Bits | Description | Type | Reset |
|------|--|------|-------|
| 7:0 | EXCCNT : Counts one on each cycle when all of the following are true: - DWT_CTRL.EXCEVTENA == 1 and DEMCR.TRCENA == 1. - No instruction is executed, see DWT_CPICNT. - An exception-entry or exception-exit related operation is in progress. - Either SecureNoninvasiveDebugAllowed() == TRUE, or NS-Req for the operation is set to Non-secure and NoninvasiveDebugAllowed() == TRUE. | RW | 0x00 |

M33: DWT_LSUCNT Register

Offset: 0x01014

Description

Increments on the additional cycles required to execute all load or store instructions

Table 146.
DWT_LSUCNT Register

| Bits | Description | Type | Reset |
|------|---|------|-------|
| 31:8 | Reserved. | - | - |
| 7:0 | LSUCNT : Counts one on each cycle when all of the following are true: - DWT_CTRL.LSUEVTENA == 1 and DEMCR.TRCENA == 1. - No instruction is executed, see DWT_CPICNT. - No exception-entry or exception-exit operation is in progress, see DWT_EXCCNT. - A load-store operation is in progress. - Either SecureNoninvasiveDebugAllowed() == TRUE, or NS-Req for the operation is set to Non-secure and NoninvasiveDebugAllowed() == TRUE. | RW | 0x00 |

M33: DWT_FOLDCNT Register

Offset: 0x01018

Description

Increments on the additional cycles required to execute all load or store instructions

Table 147.
DWT_FOLDCNT Register

| Bits | Description | Type | Reset |
|------|--|------|-------|
| 31:8 | Reserved. | - | - |
| 7:0 | FOLDCNT : Counts on each cycle when all of the following are true: - DWT_CTRL.FOLDEVTENA == 1 and DEMCR.TRCENA == 1. - At least two instructions are executed, see DWT_CPICNT. - Either SecureNoninvasiveDebugAllowed() == TRUE, or the PE is in Non-secure state and NoninvasiveDebugAllowed() == TRUE. The counter is incremented by the number of instructions executed, minus one | RW | 0x00 |

M33: DWT_COMP0 Register

Offset: 0x01020

Table 148.
DWT_COMP0 Register

| Bits | Description | Type | Reset |
|------|---|------|------------|
| 31:0 | Provides a reference value for use by watchpoint comparator 0 | RW | 0x00000000 |

M33: DWT_FUNCTION0 Register

Offset: 0x01028

Description

Controls the operation of watchpoint comparator 0

Table 149.
DWT_FUNCTION0
Register

| Bits | Description | Type | Reset |
|-------|--|------|-------|
| 31:27 | ID: Identifies the capabilities for MATCH for comparator *n | RO | 0x0b |
| 26:25 | Reserved. | - | - |
| 24 | MATCHED: Set to 1 when the comparator matches | RO | 0x0 |
| 23:12 | Reserved. | - | - |
| 11:10 | DATAVSIZE: Defines the size of the object being watched for by Data Value and Data Address comparators | RW | 0x0 |
| 9:6 | Reserved. | - | - |
| 5:4 | ACTION: Defines the action on a match. This field is ignored and the comparator generates no actions if it is disabled by MATCH | RW | 0x0 |
| 3:0 | MATCH: Controls the type of match generated by this comparator | RW | 0x0 |

M33: DWT_COMP1 Register

Offset: 0x01030

Table 150.
DWT_COMP1 Register

| Bits | Description | Type | Reset |
|------|---|------|------------|
| 31:0 | Provides a reference value for use by watchpoint comparator 1 | RW | 0x00000000 |

M33: DWT_FUNCTION1 Register

Offset: 0x01038

Description

Controls the operation of watchpoint comparator 1

Table 151.
DWT_FUNCTION1
Register

| Bits | Description | Type | Reset |
|-------|--|------|-------|
| 31:27 | ID: Identifies the capabilities for MATCH for comparator *n | RO | 0x11 |
| 26:25 | Reserved. | - | - |
| 24 | MATCHED: Set to 1 when the comparator matches | RO | 0x1 |
| 23:12 | Reserved. | - | - |
| 11:10 | DATAVSIZE: Defines the size of the object being watched for by Data Value and Data Address comparators | RW | 0x2 |
| 9:6 | Reserved. | - | - |
| 5:4 | ACTION: Defines the action on a match. This field is ignored and the comparator generates no actions if it is disabled by MATCH | RW | 0x2 |
| 3:0 | MATCH: Controls the type of match generated by this comparator | RW | 0x8 |

M33: DWT_COMP2 Register

Offset: 0x01040

Table 152.
DWT_COMP2 Register

| Bits | Description | Type | Reset |
|------|---|------|------------|
| 31:0 | Provides a reference value for use by watchpoint comparator 2 | RW | 0x00000000 |

M33: DWT_FUNCTION2 Register

Offset: 0x01048

Description

Controls the operation of watchpoint comparator 2

Table 153.
DWT_FUNCTION2 Register

| Bits | Description | Type | Reset |
|-------|--|------|-------|
| 31:27 | ID: Identifies the capabilities for MATCH for comparator *n | RO | 0x0a |
| 26:25 | Reserved. | - | - |
| 24 | MATCHED: Set to 1 when the comparator matches | RO | 0x0 |
| 23:12 | Reserved. | - | - |
| 11:10 | DATAVSIZE: Defines the size of the object being watched for by Data Value and Data Address comparators | RW | 0x0 |
| 9:6 | Reserved. | - | - |
| 5:4 | ACTION: Defines the action on a match. This field is ignored and the comparator generates no actions if it is disabled by MATCH | RW | 0x0 |
| 3:0 | MATCH: Controls the type of match generated by this comparator | RW | 0x0 |

M33: DWT_COMP3 Register

Offset: 0x01050

Table 154.
DWT_COMP3 Register

| Bits | Description | Type | Reset |
|------|---|------|------------|
| 31:0 | Provides a reference value for use by watchpoint comparator 3 | RW | 0x00000000 |

M33: DWT_FUNCTION3 Register

Offset: 0x01058

Description

Controls the operation of watchpoint comparator 3

Table 155.
DWT_FUNCTION3 Register

| Bits | Description | Type | Reset |
|-------|--|------|-------|
| 31:27 | ID: Identifies the capabilities for MATCH for comparator *n | RO | 0x04 |
| 26:25 | Reserved. | - | - |
| 24 | MATCHED: Set to 1 when the comparator matches | RO | 0x0 |
| 23:12 | Reserved. | - | - |
| 11:10 | DATAVSIZE: Defines the size of the object being watched for by Data Value and Data Address comparators | RW | 0x2 |
| 9:6 | Reserved. | - | - |
| 5:4 | ACTION: Defines the action on a match. This field is ignored and the comparator generates no actions if it is disabled by MATCH | RW | 0x0 |
| 3:0 | MATCH: Controls the type of match generated by this comparator | RW | 0x0 |

M33: DWT_DEVARCH Register

Offset: 0x01fbc

Description

Provides CoreSight discovery information for the DWT

Table 156.
DWT_DEVARCH
Register

| Bits | Description | Type | Reset |
|-------|---|------|-------|
| 31:21 | ARCHITECT : Defines the architect of the component. Bits [31:28] are the JEP106 continuation code (JEP106 bank ID, minus 1) and bits [27:21] are the JEP106 ID code. | RO | 0x23b |
| 20 | PRESENT : Defines that the DEVARCH register is present | RO | 0x1 |
| 19:16 | REVISION : Defines the architecture revision of the component | RO | 0x0 |
| 15:12 | ARCHVER : Defines the architecture version of the component | RO | 0x1 |
| 11:0 | ARCHPART : Defines the architecture of the component | RO | 0xa02 |

M33: DWT_DEVTYPE Register

Offset: 0x01fcc

Description

Provides CoreSight discovery information for the DWT

Table 157.
DWT_DEVTYPE
Register

| Bits | Description | Type | Reset |
|------|-------------------------------------|------|-------|
| 31:8 | Reserved. | - | - |
| 7:4 | SUB : Component sub-type | RO | 0x0 |
| 3:0 | MAJOR : Component major type | RO | 0x0 |

M33: DWT_PIDR4 Register

Offset: 0x01fd0

Description

Provides CoreSight discovery information for the DWT

Table 158.
DWT_PIDR4 Register

| Bits | Description | Type | Reset |
|------|---|------|-------|
| 31:8 | Reserved. | - | - |
| 7:4 | SIZE : See CoreSight Architecture Specification | RO | 0x0 |
| 3:0 | DES_2 : See CoreSight Architecture Specification | RO | 0x4 |

M33: DWT_PIDR5 Register

Offset: 0x01fd4

Description

Provides CoreSight discovery information for the DWT

Table 159.
DWT_PIDR5 Register

| Bits | Description | Type | Reset |
|------|-------------|------|-------|
| 31:0 | Reserved. | - | - |

M33: DWT_PIDR6 Register

Offset: 0x01fd8

Description

Provides CoreSight discovery information for the DWT

Table 160.
DWT_PIDR6 Register

| Bits | Description | Type | Reset |
|------|-------------|------|-------|
| 31:0 | Reserved. | - | - |

M33: DWT_PIDR7 Register

Offset: 0x01fdc

Description

Provides CoreSight discovery information for the DWT

Table 161.
DWT_PIDR7 Register

| Bits | Description | Type | Reset |
|------|-------------|------|-------|
| 31:0 | Reserved. | - | - |

M33: DWT_PIDR0 Register

Offset: 0x01fe0

Description

Provides CoreSight discovery information for the DWT

Table 162.
DWT_PIDR0 Register

| Bits | Description | Type | Reset |
|------|--|------|-------|
| 31:8 | Reserved. | - | - |
| 7:0 | PART_0 : See CoreSight Architecture Specification | RO | 0x21 |

M33: DWT_PIDR1 Register

Offset: 0x01fe4

Description

Provides CoreSight discovery information for the DWT

Table 163.
DWT_PIDR1 Register

| Bits | Description | Type | Reset |
|------|--|------|-------|
| 31:8 | Reserved. | - | - |
| 7:4 | DES_0 : See CoreSight Architecture Specification | RO | 0xb |
| 3:0 | PART_1 : See CoreSight Architecture Specification | RO | 0xd |

M33: DWT_PIDR2 Register

Offset: 0x01fe8

Description

Provides CoreSight discovery information for the DWT

Table 164.
DWT_PIDR2 Register

| Bits | Description | Type | Reset |
|------|---|------|-------|
| 31:8 | Reserved. | - | - |
| 7:4 | REVISION: See CoreSight Architecture Specification | RO | 0x0 |
| 3 | JEDEC: See CoreSight Architecture Specification | RO | 0x1 |
| 2:0 | DES_1: See CoreSight Architecture Specification | RO | 0x3 |

M33: DWT_PIDR3 Register

Offset: 0x01fec

Description

Provides CoreSight discovery information for the DWT

Table 165.
DWT_PIDR3 Register

| Bits | Description | Type | Reset |
|------|---|------|-------|
| 31:8 | Reserved. | - | - |
| 7:4 | REVAND: See CoreSight Architecture Specification | RO | 0x0 |
| 3:0 | CMOD: See CoreSight Architecture Specification | RO | 0x0 |

M33: DWT_CIDR0 Register

Offset: 0x01ff0

Description

Provides CoreSight discovery information for the DWT

Table 166.
DWT_CIDR0 Register

| Bits | Description | Type | Reset |
|------|--|------|-------|
| 31:8 | Reserved. | - | - |
| 7:0 | PRMBL_0: See CoreSight Architecture Specification | RO | 0x0d |

M33: DWT_CIDR1 Register

Offset: 0x01ff4

Description

Provides CoreSight discovery information for the DWT

Table 167.
DWT_CIDR1 Register

| Bits | Description | Type | Reset |
|------|--|------|-------|
| 31:8 | Reserved. | - | - |
| 7:4 | CLASS: See CoreSight Architecture Specification | RO | 0x9 |
| 3:0 | PRMBL_1: See CoreSight Architecture Specification | RO | 0x0 |

M33: DWT_CIDR2 Register

Offset: 0x01ff8

Description

Provides CoreSight discovery information for the DWT

Table 168.
DWT_CIDR2 Register

| Bits | Description | Type | Reset |
|------|---|------|-------|
| 31:8 | Reserved. | - | - |
| 7:0 | PRMBL_2 : See CoreSight Architecture Specification | RO | 0x05 |

M33: DWT_CIDR3 Register

Offset: 0x01ffc

Description

Provides CoreSight discovery information for the DWT

Table 169.
DWT_CIDR3 Register

| Bits | Description | Type | Reset |
|------|---|------|-------|
| 31:8 | Reserved. | - | - |
| 7:0 | PRMBL_3 : See CoreSight Architecture Specification | RO | 0xb1 |

M33: FP_CTRL Register

Offset: 0x02000

Description

Provides FPB implementation information, and the global enable for the FPB unit

Table 170. FP_CTRL Register

| Bits | Description | Type | Reset |
|-------|--|------|-------|
| 31:28 | REV : Flash Patch and Breakpoint Unit architecture revision | RO | 0x6 |
| 27:15 | Reserved. | - | - |
| 14:12 | NUM_CODE_14_12_ : Indicates the number of implemented instruction address comparators. Zero indicates no Instruction Address comparators are implemented. The Instruction Address comparators are numbered from 0 to NUM_CODE - 1 | RO | 0x5 |
| 11:8 | NUM_LIT : Indicates the number of implemented literal address comparators. The Literal Address comparators are numbered from NUM_CODE to NUM_CODE + NUM_LIT - 1 | RO | 0x5 |
| 7:4 | NUM_CODE_7_4_ : Indicates the number of implemented instruction address comparators. Zero indicates no Instruction Address comparators are implemented. The Instruction Address comparators are numbered from 0 to NUM_CODE - 1 | RO | 0x8 |
| 3:2 | Reserved. | - | - |
| 1 | KEY : Writes to the FP_CTRL are ignored unless KEY is concurrently written to one | RW | 0x0 |
| 0 | ENABLE : Enables the FPB | RW | 0x0 |

M33: FP_REMAP Register

Offset: 0x02004

Description

Indicates whether the implementation supports Flash Patch remap and, if it does, holds the target address for remap

Table 171. FP_REMAP Register

| Bits | Description | Type | Reset |
|-------|-------------|------|-------|
| 31:30 | Reserved. | - | - |

| Bits | Description | Type | Reset |
|------|--|------|----------|
| 29 | RMPSPT : Indicates whether the FPB unit supports the Flash Patch remap function | RO | 0x0 |
| 28:5 | REMAP : Holds the bits[28:5] of the Flash Patch remap address | RO | 0x000000 |
| 4:0 | Reserved. | - | - |

M33: FP_COMP0, FP_COMP1, ..., FP_COMP6, FP_COMP7 Registers

Offsets: 0x02008, 0x0200c, ..., 0x02020, 0x02024

Description

Holds an address for comparison. The effect of the match depends on the configuration of the FPB and whether the comparator is an instruction address comparator or a literal address comparator

Table 172. FP_COMP0, FP_COMP1, ..., FP_COMP6, FP_COMP7 Registers

| Bits | Description | Type | Reset |
|------|---|------|-------|
| 31:1 | Reserved. | - | - |
| 0 | BE : Selects between flashpatch and breakpoint functionality | RW | 0x0 |

M33: FP_DEVARCH Register

Offset: 0x02fbc

Description

Provides CoreSight discovery information for the FPB

Table 173. FP_DEVARCH Register

| Bits | Description | Type | Reset |
|-------|---|------|-------|
| 31:21 | ARCHITECT : Defines the architect of the component. Bits [31:28] are the JEP106 continuation code (JEP106 bank ID, minus 1) and bits [27:21] are the JEP106 ID code. | RO | 0x23b |
| 20 | PRESENT : Defines that the DEVARCH register is present | RO | 0x1 |
| 19:16 | REVISION : Defines the architecture revision of the component | RO | 0x0 |
| 15:12 | ARCHVER : Defines the architecture version of the component | RO | 0x1 |
| 11:0 | ARCHPART : Defines the architecture of the component | RO | 0xa03 |

M33: FP_DEVTYPE Register

Offset: 0x02fcc

Description

Provides CoreSight discovery information for the FPB

Table 174. FP_DEVTYPE Register

| Bits | Description | Type | Reset |
|------|-------------------------------------|------|-------|
| 31:8 | Reserved. | - | - |
| 7:4 | SUB : Component sub-type | RO | 0x0 |
| 3:0 | MAJOR : Component major type | RO | 0x0 |

M33: FP_PIDR4 Register

Offset: 0x02fd0

Description

Provides CoreSight discovery information for the FP

Table 175. FP_PIDR4 Register

| Bits | Description | Type | Reset |
|------|---|------|-------|
| 31:8 | Reserved. | - | - |
| 7:4 | SIZE : See CoreSight Architecture Specification | RO | 0x0 |
| 3:0 | DES_2 : See CoreSight Architecture Specification | RO | 0x4 |

M33: FP_PIDR5 Register

Offset: 0x02fd4

Description

Provides CoreSight discovery information for the FP

Table 176. FP_PIDR5 Register

| Bits | Description | Type | Reset |
|------|-------------|------|-------|
| 31:0 | Reserved. | - | - |

M33: FP_PIDR6 Register

Offset: 0x02fd8

Description

Provides CoreSight discovery information for the FP

Table 177. FP_PIDR6 Register

| Bits | Description | Type | Reset |
|------|-------------|------|-------|
| 31:0 | Reserved. | - | - |

M33: FP_PIDR7 Register

Offset: 0x02fdc

Description

Provides CoreSight discovery information for the FP

Table 178. FP_PIDR7 Register

| Bits | Description | Type | Reset |
|------|-------------|------|-------|
| 31:0 | Reserved. | - | - |

M33: FP_PIDR0 Register

Offset: 0x02fe0

Description

Provides CoreSight discovery information for the FP

Table 179. FP_PIDR0 Register

| Bits | Description | Type | Reset |
|------|--|------|-------|
| 31:8 | Reserved. | - | - |
| 7:0 | PART_0 : See CoreSight Architecture Specification | RO | 0x21 |

M33: FP_PIDR1 Register

Offset: 0x02fe4

Description

Provides CoreSight discovery information for the FP

Table 180. FP_PIDR1 Register

| Bits | Description | Type | Reset |
|------|--|------|-------|
| 31:8 | Reserved. | - | - |
| 7:4 | DES_0 : See CoreSight Architecture Specification | RO | 0xb |
| 3:0 | PART_1 : See CoreSight Architecture Specification | RO | 0xd |

M33: FP_PIDR2 Register

Offset: 0x02fe8

Description

Provides CoreSight discovery information for the FP

Table 181. FP_PIDR2 Register

| Bits | Description | Type | Reset |
|------|--|------|-------|
| 31:8 | Reserved. | - | - |
| 7:4 | REVISION : See CoreSight Architecture Specification | RO | 0x0 |
| 3 | JEDEC : See CoreSight Architecture Specification | RO | 0x1 |
| 2:0 | DES_1 : See CoreSight Architecture Specification | RO | 0x3 |

M33: FP_PIDR3 Register

Offset: 0x02fec

Description

Provides CoreSight discovery information for the FP

Table 182. FP_PIDR3 Register

| Bits | Description | Type | Reset |
|------|--|------|-------|
| 31:8 | Reserved. | - | - |
| 7:4 | REVAND : See CoreSight Architecture Specification | RO | 0x0 |
| 3:0 | CMOD : See CoreSight Architecture Specification | RO | 0x0 |

M33: FP_CIDR0 Register

Offset: 0x02ff0

Description

Provides CoreSight discovery information for the FP

Table 183. FP_CIDR0 Register

| Bits | Description | Type | Reset |
|------|---|------|-------|
| 31:8 | Reserved. | - | - |
| 7:0 | PRMBL_0 : See CoreSight Architecture Specification | RO | 0x0d |

M33: FP_CIDR1 Register

Offset: 0x02ff4

Description

Provides CoreSight discovery information for the FP

Table 184. FP_CIDR1 Register

| Bits | Description | Type | Reset |
|------|---|------|-------|
| 31:8 | Reserved. | - | - |
| 7:4 | CLASS : See CoreSight Architecture Specification | RO | 0x9 |
| 3:0 | PRMBL_1 : See CoreSight Architecture Specification | RO | 0x0 |

M33: FP_CIDR2 Register

Offset: 0x02ff8

Description

Provides CoreSight discovery information for the FP

Table 185. FP_CIDR2 Register

| Bits | Description | Type | Reset |
|------|---|------|-------|
| 31:8 | Reserved. | - | - |
| 7:0 | PRMBL_2 : See CoreSight Architecture Specification | RO | 0x05 |

M33: FP_CIDR3 Register

Offset: 0x02ffc

Description

Provides CoreSight discovery information for the FP

Table 186. FP_CIDR3 Register

| Bits | Description | Type | Reset |
|------|---|------|-------|
| 31:8 | Reserved. | - | - |
| 7:0 | PRMBL_3 : See CoreSight Architecture Specification | RO | 0xb1 |

M33: ICTR Register

Offset: 0x0e004

Description

Provides information about the interrupt controller

Table 187. ICTR Register

| Bits | Description | Type | Reset |
|------|--|------|-------|
| 31:4 | Reserved. | - | - |
| 3:0 | INTLINESNUM : Indicates the number of the highest implemented register in each of the NVIC control register sets, or in the case of NVIC_IPR*n, 4×INTLINESNUM | RO | 0x1 |

M33: ACTLR Register

Offset: 0x0e008

Description

Provides IMPLEMENTATION DEFINED configuration and control options

Table 188. ACTLR Register

| Bits | Description | Type | Reset |
|-------|---|------|-------|
| 31:30 | Reserved. | - | - |
| 29 | EXTEXCLALL : External Exclusives Allowed with no MPU | RW | 0x0 |
| 28:13 | Reserved. | - | - |
| 12 | DISITMATBFLUSH : Disable ATB Flush | RW | 0x0 |
| 11 | Reserved. | - | - |
| 10 | FPEXCODIS : Disable FPU exception outputs | RW | 0x0 |
| 9 | DISOAFP : Disable out-of-order FP instruction completion | RW | 0x0 |
| 8:3 | Reserved. | - | - |
| 2 | DISFOLD : Disable dual-issue. | RW | 0x0 |
| 1 | Reserved. | - | - |
| 0 | DISMCYCINT : Disable dual-issue. | RW | 0x0 |

M33: SYST_CSR Register

Offset: 0x0e010

Description

Use the SysTick Control and Status Register to enable the SysTick features.

Table 189. SYST_CSR Register

| Bits | Description | Type | Reset |
|-------|--|------|-------|
| 31:17 | Reserved. | - | - |
| 16 | COUNTFLAG : Returns 1 if timer counted to 0 since last time this was read. Clears on read by application or debugger. | RO | 0x0 |
| 15:3 | Reserved. | - | - |
| 2 | CLKSOURCE : SysTick clock source. Always reads as one if SYST_CALIB reports NOREF. Selects the SysTick timer clock source: 0 = External reference clock. 1 = Processor clock. | RW | 0x0 |
| 1 | TICKINT : Enables SysTick exception request: 0 = Counting down to zero does not assert the SysTick exception request. 1 = Counting down to zero to asserts the SysTick exception request. | RW | 0x0 |

| Bits | Description | Type | Reset |
|------|---|------|-------|
| 0 | ENABLE: Enable SysTick counter: 0 = Counter disabled. 1 = Counter enabled. | RW | 0x0 |

M33: SYST_RVR Register

Offset: 0x0e014

Description

Use the SysTick Reload Value Register to specify the start value to load into the current value register when the counter reaches 0. It can be any value between 0 and 0x00FFFFFF. A start value of 0 is possible, but has no effect because the SysTick interrupt and COUNTFLAG are activated when counting from 1 to 0. The reset value of this register is UNKNOWN.

To generate a multi-shot timer with a period of N processor clock cycles, use a RELOAD value of N-1. For example, if the SysTick interrupt is required every 100 clock pulses, set RELOAD to 99.

Table 190. SYST_RVR Register

| Bits | Description | Type | Reset |
|-------|--|------|----------|
| 31:24 | Reserved. | - | - |
| 23:0 | RELOAD: Value to load into the SysTick Current Value Register when the counter reaches 0. | RW | 0x000000 |

M33: SYST_CVR Register

Offset: 0x0e018

Description

Use the SysTick Current Value Register to find the current value in the register. The reset value of this register is UNKNOWN.

Table 191. SYST_CVR Register

| Bits | Description | Type | Reset |
|-------|--|------|----------|
| 31:24 | Reserved. | - | - |
| 23:0 | CURRENT: Reads return the current value of the SysTick counter. This register is write-clear. Writing to it with any value clears the register to 0. Clearing this register also clears the COUNTFLAG bit of the SysTick Control and Status Register. | RW | 0x000000 |

M33: SYST_CALIB Register

Offset: 0x0e01c

Description

Use the SysTick Calibration Value Register to enable software to scale to any required speed using divide and multiply.

Table 192. SYST_CALIB Register

| Bits | Description | Type | Reset |
|-------|---|------|-------|
| 31 | NOREF: If reads as 1, the Reference clock is not provided - the CLKSOURCE bit of the SysTick Control and Status register will be forced to 1 and cannot be cleared to 0. | RO | 0x0 |
| 30 | SKEW: If reads as 1, the calibration value for 10ms is inexact (due to clock frequency). | RO | 0x0 |
| 29:24 | Reserved. | - | - |

| Bits | Description | Type | Reset |
|------|---|------|----------|
| 23:0 | TENMS : An optional Reload value to be used for 10ms (100Hz) timing, subject to system clock skew errors. If the value reads as 0, the calibration value is not known. | RO | 0x000000 |

M33: NVIC_ISER0, NVIC_ISER1 Registers

Offsets: 0x0e100, 0x0e104

Description

Enables or reads the enabled state of each group of 32 interrupts

Table 193.
NVIC_ISER0,
NVIC_ISER1 Registers

| Bits | Description | Type | Reset |
|------|---|------|------------|
| 31:0 | SETENA : For SETENA[m] in NVIC_ISER*n, indicates whether interrupt 32*n + m is enabled | RW | 0x00000000 |

M33: NVIC_ICER0, NVIC_ICER1 Registers

Offsets: 0x0e180, 0x0e184

Description

Clears or reads the enabled state of each group of 32 interrupts

Table 194.
NVIC_ICER0,
NVIC_ICER1 Registers

| Bits | Description | Type | Reset |
|------|---|------|------------|
| 31:0 | CLRENA : For CLRENA[m] in NVIC_ICER*n, indicates whether interrupt 32*n + m is enabled | RW | 0x00000000 |

M33: NVIC_ISPR0, NVIC_ISPR1 Registers

Offsets: 0x0e200, 0x0e204

Description

Enables or reads the pending state of each group of 32 interrupts

Table 195.
NVIC_ISPR0,
NVIC_ISPR1 Registers

| Bits | Description | Type | Reset |
|------|---|------|------------|
| 31:0 | SETPEND : For SETPEND[m] in NVIC_ISPR*n, indicates whether interrupt 32*n + m is pending | RW | 0x00000000 |

M33: NVIC_ICPR0, NVIC_ICPR1 Registers

Offsets: 0x0e280, 0x0e284

Description

Clears or reads the pending state of each group of 32 interrupts

Table 196.
NVIC_ICPR0,
NVIC_ICPR1 Registers

| Bits | Description | Type | Reset |
|------|---|------|------------|
| 31:0 | CLRPEND : For CLRPEND[m] in NVIC_ICPR*n, indicates whether interrupt 32*n + m is pending | RW | 0x00000000 |

M33: NVIC_IABR0, NVIC_IABR1 Registers

Offsets: 0x0e300, 0x0e304

Description

For each group of 32 interrupts, shows the active state of each interrupt

Table 197.
NVIC_IABR0,
NVIC_IABR1 Registers

| Bits | Description | Type | Reset |
|------|--|------|------------|
| 31:0 | ACTIVE: For ACTIVE[m] in NVIC_IABR*n, indicates the active state for interrupt 32*n+m | RW | 0x00000000 |

M33: NVIC_ITNS0, NVIC_ITNS1 Registers

Offsets: 0x0e380, 0x0e384

Description

For each group of 32 interrupts, determines whether each interrupt targets Non-secure or Secure state

Table 198.
NVIC_ITNS0,
NVIC_ITNS1 Registers

| Bits | Description | Type | Reset |
|------|---|------|------------|
| 31:0 | ITNS: For ITNS[m] in NVIC_ITNS*n, IAAMO the target Security state for interrupt 32*n+m | RW | 0x00000000 |

M33: NVIC_IPR0, NVIC_IPR1, ..., NVIC_IPR14, NVIC_IPR15 Registers

Offsets: 0x0e400, 0x0e404, ..., 0x0e438, 0x0e43c

Description

Sets or reads interrupt priorities

Table 199. NVIC_IPR0,
NVIC_IPR1, ...,
NVIC_IPR14,
NVIC_IPR15 Registers

| Bits | Description | Type | Reset |
|-------|--|------|-------|
| 31:28 | PRI_N3: For register NVIC_IPRn, the priority of interrupt number 4*n+3, or RES0 if the PE does not implement this interrupt | RW | 0x0 |
| 27:24 | Reserved. | - | - |
| 23:20 | PRI_N2: For register NVIC_IPRn, the priority of interrupt number 4*n+2, or RES0 if the PE does not implement this interrupt | RW | 0x0 |
| 19:16 | Reserved. | - | - |
| 15:12 | PRI_N1: For register NVIC_IPRn, the priority of interrupt number 4*n+1, or RES0 if the PE does not implement this interrupt | RW | 0x0 |
| 11:8 | Reserved. | - | - |
| 7:4 | PRI_N0: For register NVIC_IPRn, the priority of interrupt number 4*n+0, or RES0 if the PE does not implement this interrupt | RW | 0x0 |
| 3:0 | Reserved. | - | - |

M33: CPUID Register

Offset: 0x0ed00

Description

Provides identification information for the PE, including an implementer code for the device and a device ID number

Table 200. CPUID
Register

| Bits | Description | Type | Reset |
|-------|---|------|-------|
| 31:24 | IMPLEMENTER: This field must hold an implementer code that has been assigned by ARM | RO | 0x41 |
| 23:20 | VARIANT: IMPLEMENTATION DEFINED variant number. Typically, this field is used to distinguish between different product variants, or major revisions of a product | RO | 0x1 |
| 19:16 | ARCHITECTURE: Defines the Architecture implemented by the PE | RO | 0xf |

| Bits | Description | Type | Reset |
|------|--|------|-------|
| 15:4 | PARTNO: IMPLEMENTATION DEFINED primary part number for the device | RO | 0xd21 |
| 3:0 | REVISION: IMPLEMENTATION DEFINED revision number for the device | RO | 0x0 |

M33: ICSR Register

Offset: 0x0ed04

Description

Controls and provides status information for NMI, PendSV, SysTick and interrupts

Table 201. ICSR Register

| Bits | Description | Type | Reset |
|-------|---|------|-------|
| 31 | PENDNMISSET: Indicates whether the NMI exception is pending | RO | 0x0 |
| 30 | PENDNMICLR: Allows the NMI exception pend state to be cleared | RW | 0x0 |
| 29 | Reserved. | - | - |
| 28 | PENDSVSET: Indicates whether the PendSV `FTSSS exception is pending | RO | 0x0 |
| 27 | PENDSVCLR: Allows the PendSV exception pend state to be cleared `FTSSS | RW | 0x0 |
| 26 | PENDSTSET: Indicates whether the SysTick `FTSSS exception is pending | RO | 0x0 |
| 25 | PENDSTCLR: Allows the SysTick exception pend state to be cleared `FTSSS | RW | 0x0 |
| 24 | STTNS: Controls whether in a single SysTick implementation, the SysTick is Secure or Non-secure | RW | 0x0 |
| 23 | ISRPREEMPT: Indicates whether a pending exception will be serviced on exit from debug halt state | RO | 0x0 |
| 22 | ISR_PENDING: Indicates whether an external interrupt, generated by the NVIC, is pending | RO | 0x0 |
| 21 | Reserved. | - | - |
| 20:12 | VECTPENDING: The exception number of the highest priority pending and enabled interrupt | RO | 0x000 |
| 11 | RETTOBASE: In Handler mode, indicates whether there is more than one active exception | RO | 0x0 |
| 10:9 | Reserved. | - | - |
| 8:0 | VECTACTIVE: The exception number of the current executing exception | RO | 0x000 |

M33: VTOR Register

Offset: 0x0ed08

Description

The VTOR indicates the offset of the vector table base address from memory address 0x00000000.

Table 202. VTOR Register

| Bits | Description | Type | Reset |
|------|---|------|-----------|
| 31:7 | TBLOFF : Vector table base offset field. It contains bits[31:7] of the offset of the table base from the bottom of the memory map. | RW | 0x0000000 |
| 6:0 | Reserved. | - | - |

M33: AIRCR Register

Offset: 0x0ed0c

Description

Use the Application Interrupt and Reset Control Register to: determine data endianness, clear all active state information from debug halt mode, request a system reset.

Table 203. AIRCR Register

| Bits | Description | Type | Reset |
|-------|---|------|--------|
| 31:16 | VECTKEY : Register key: Reads as Unknown On writes, write 0x05FA to VECTKEY, otherwise the write is ignored. | RW | 0x0000 |
| 15 | ENDIANESS : Data endianness implemented: 0 = Little-endian. | RO | 0x0 |
| 14 | PRIS : Prioritize Secure exceptions. The value of this bit defines whether Secure exception priority boosting is enabled. 0 Priority ranges of Secure and Non-secure exceptions are identical. 1 Non-secure exceptions are de-prioritized. | RW | 0x0 |
| 13 | BFHFNMINs : BusFault, HardFault, and NMI Non-secure enable. 0 BusFault, HardFault, and NMI are Secure. 1 BusFault and NMI are Non-secure and exceptions can target Non-secure HardFault. | RW | 0x0 |
| 12:11 | Reserved. | - | - |
| 10:8 | PRIGROUP : Interrupt priority grouping field. This field determines the split of group priority from subpriority. See https://developer.arm.com/documentation/100235/0004/the-cortex-m33-peripherals/system-control-block/application-interrupt-and-reset-control-register?lang=en | RW | 0x0 |
| 7:4 | Reserved. | - | - |
| 3 | SYSRESETREQs : System reset request, Secure state only. 0 SYSRESETREQ functionality is available to both Security states. 1 SYSRESETREQ functionality is only available to Secure state. | RW | 0x0 |
| 2 | SYSRESETREQ : Writing 1 to this bit causes the SYSRESETREQ signal to the outer system to be asserted to request a reset. The intention is to force a large system reset of all major components except for debug. The C_HALT bit in the DHCSR is cleared as a result of the system reset requested. The debugger does not lose contact with the device. | RW | 0x0 |
| 1 | VECTCLRACTIVE : Clears all active state information for fixed and configurable exceptions. This bit: is self-clearing, can only be set by the DAP when the core is halted. When set: clears all active exception status of the processor, forces a return to Thread mode, forces an IPSR of 0. A debugger must re-initialize the stack. | RW | 0x0 |
| 0 | Reserved. | - | - |

M33: SCR Register

Offset: 0x0ed10

Description

System Control Register. Use the System Control Register for power-management functions: signal to the system when the processor can enter a low power state, control how the processor enters and exits low power states.

Table 204. SCR Register

| Bits | Description | Type | Reset |
|------|--|------|-------|
| 31:5 | Reserved. | - | - |
| 4 | SEVONPEND : Send Event on Pending bit: 0 = Only enabled interrupts or events can wakeup the processor, disabled interrupts are excluded. 1 = Enabled events and all interrupts, including disabled interrupts, can wakeup the processor. When an event or interrupt becomes pending, the event signal wakes up the processor from WFE. If the processor is not waiting for an event, the event is registered and affects the next WFE. The processor also wakes up on execution of an SEV instruction or an external event. | RW | 0x0 |
| 3 | SLEEPDEEPS : 0 SLEEPDEEP is available to both security states 1 SLEEPDEEP is only available to Secure state | RW | 0x0 |
| 2 | SLEEPDEEP : Controls whether the processor uses sleep or deep sleep as its low power mode: 0 = Sleep. 1 = Deep sleep. | RW | 0x0 |
| 1 | SLEEPONEXIT : Indicates sleep-on-exit when returning from Handler mode to Thread mode: 0 = Do not sleep when returning to Thread mode. 1 = Enter sleep, or deep sleep, on return from an ISR to Thread mode. Setting this bit to 1 enables an interrupt driven application to avoid returning to an empty main application. | RW | 0x0 |
| 0 | Reserved. | - | - |

M33: CCR Register

Offset: 0x0ed14

Description

Sets or returns configuration and control data

Table 205. CCR Register

| Bits | Description | Type | Reset |
|-------|---|------|-------|
| 31:19 | Reserved. | - | - |
| 18 | BP : Enables program flow prediction `FTSSS | RO | 0x0 |
| 17 | IC : This is a global enable bit for instruction caches in the selected Security state | RO | 0x0 |
| 16 | DC : Enables data caching of all data accesses to Normal memory `FTSSS | RO | 0x0 |
| 15:11 | Reserved. | - | - |

| Bits | Description | Type | Reset |
|------|--|------|-------|
| 10 | STKOFHFNMIGN : Controls the effect of a stack limit violation while executing at a requested priority less than 0 | RW | 0x0 |
| 9 | RES1 : Reserved, RES1 | RO | 0x1 |
| 8 | BFHFNMIGN : Determines the effect of precise BusFaults on handlers running at a requested priority less than 0 | RW | 0x0 |
| 7:5 | Reserved. | - | - |
| 4 | DIV_0_TRP : Controls the generation of a DIVBYZERO UsageFault when attempting to perform integer division by zero | RW | 0x0 |
| 3 | UNALIGN_TRP : Controls the trapping of unaligned word or halfword accesses | RW | 0x0 |
| 2 | Reserved. | - | - |
| 1 | USERSETMPEND : Determines whether unprivileged accesses are permitted to pend interrupts via the STIR | RW | 0x0 |
| 0 | RES1_1 : Reserved, RES1 | RO | 0x1 |

M33: SHPR1 Register

Offset: 0x0ed18

Description

Sets or returns priority for system handlers 4 - 7

Table 206. SHPR1 Register

| Bits | Description | Type | Reset |
|-------|--|------|-------|
| 31:29 | PRI_7_3 : Priority of system handler 7, SecureFault | RW | 0x0 |
| 28:24 | Reserved. | - | - |
| 23:21 | PRI_6_3 : Priority of system handler 6, SecureFault | RW | 0x0 |
| 20:16 | Reserved. | - | - |
| 15:13 | PRI_5_3 : Priority of system handler 5, SecureFault | RW | 0x0 |
| 12:8 | Reserved. | - | - |
| 7:5 | PRI_4_3 : Priority of system handler 4, SecureFault | RW | 0x0 |
| 4:0 | Reserved. | - | - |

M33: SHPR2 Register

Offset: 0x0ed1c

Description

Sets or returns priority for system handlers 8 - 11

Table 207. SHPR2 Register

| Bits | Description | Type | Reset |
|-------|--|------|-------|
| 31:29 | PRI_11_3 : Priority of system handler 11, SecureFault | RW | 0x0 |
| 28:24 | Reserved. | - | - |
| 23:16 | PRI_10 : Reserved, RES0 | RO | 0x00 |
| 15:8 | PRI_9 : Reserved, RES0 | RO | 0x00 |

| Bits | Description | Type | Reset |
|------|------------------------------|------|-------|
| 7:0 | PRI_8: Reserved, RES0 | RO | 0x00 |

M33: SHPR3 Register

Offset: 0x0ed20

Description

Sets or returns priority for system handlers 12 - 15

Table 208. SHPR3 Register

| Bits | Description | Type | Reset |
|-------|---|------|-------|
| 31:29 | PRI_15_3: Priority of system handler 15, SecureFault | RW | 0x0 |
| 28:24 | Reserved. | - | - |
| 23:21 | PRI_14_3: Priority of system handler 14, SecureFault | RW | 0x0 |
| 20:16 | Reserved. | - | - |
| 15:8 | PRI_13: Reserved, RES0 | RO | 0x00 |
| 7:5 | PRI_12_3: Priority of system handler 12, SecureFault | RW | 0x0 |
| 4:0 | Reserved. | - | - |

M33: SHCSR Register

Offset: 0x0ed24

Description

Provides access to the active and pending status of system exceptions

Table 209. SHCSR Register

| Bits | Description | Type | Reset |
|-------|--|------|-------|
| 31:22 | Reserved. | - | - |
| 21 | HARDFFAULTPENDEDED: `IAAMO the pending state of the HardFault exception `CTTSSS | RW | 0x0 |
| 20 | SECUREFAULTPENDEDED: `IAAMO the pending state of the SecureFault exception | RW | 0x0 |
| 19 | SECUREFAULTTENA: `DW the SecureFault exception is enabled | RW | 0x0 |
| 18 | USGFAULTTENA: `DW the UsageFault exception is enabled `FTSSS | RW | 0x0 |
| 17 | BUSFAULTTENA: `DW the BusFault exception is enabled | RW | 0x0 |
| 16 | MEMFAULTTENA: `DW the MemManage exception is enabled `FTSSS | RW | 0x0 |
| 15 | SVCALLPENDEDED: `IAAMO the pending state of the SVCcall exception `FTSSS | RW | 0x0 |
| 14 | BUSFAULTPENDEDED: `IAAMO the pending state of the BusFault exception | RW | 0x0 |
| 13 | MEMFAULTPENDEDED: `IAAMO the pending state of the MemManage exception `FTSSS | RW | 0x0 |
| 12 | USGFAULTPENDEDED: The UsageFault exception is banked between Security states, `IAAMO the pending state of the UsageFault exception `FTSSS | RW | 0x0 |
| 11 | SYSTICKACT: `IAAMO the active state of the SysTick exception `FTSSS | RW | 0x0 |
| 10 | PENDSVACT: `IAAMO the active state of the PendSV exception `FTSSS | RW | 0x0 |

| Bits | Description | Type | Reset |
|------|--|------|-------|
| 9 | Reserved. | - | - |
| 8 | MONITORACT : `IAAMO the active state of the DebugMonitor exception | RW | 0x0 |
| 7 | SVCALLACT : `IAAMO the active state of the SVCcall exception `FTSSS | RW | 0x0 |
| 6 | Reserved. | - | - |
| 5 | NMIACT : `IAAMO the active state of the NMI exception | RW | 0x0 |
| 4 | SECUREFAULTACT : `IAAMO the active state of the SecureFault exception | RW | 0x0 |
| 3 | USGFAULTACT : `IAAMO the active state of the UsageFault exception `FTSSS | RW | 0x0 |
| 2 | HARDFFAULTACT : Indicates and allows limited modification of the active state of the HardFault exception `FTSSS | RW | 0x0 |
| 1 | BUSFAULTACT : `IAAMO the active state of the BusFault exception | RW | 0x0 |
| 0 | MEMFAULTACT : `IAAMO the active state of the MemManage exception `FTSSS | RW | 0x0 |

M33: CFSR Register

Offset: 0x0ed28

Description

Contains the three Configurable Fault Status Registers.

31:16 UFSR: Provides information on UsageFault exceptions

15:8 BFSR: Provides information on BusFault exceptions

7:0 MMFSR: Provides information on MemManage exceptions

Table 210. CFSR Register

| Bits | Description | Type | Reset |
|-------|--|------|-------|
| 31:26 | Reserved. | - | - |
| 25 | UFSR_DIVBYZERO : Sticky flag indicating whether an integer division by zero error has occurred | RW | 0x0 |
| 24 | UFSR_UNALIGNED : Sticky flag indicating whether an unaligned access error has occurred | RW | 0x0 |
| 23:21 | Reserved. | - | - |
| 20 | UFSR_STKOF : Sticky flag indicating whether a stack overflow error has occurred | RW | 0x0 |
| 19 | UFSR_NOCP : Sticky flag indicating whether a coprocessor disabled or not present error has occurred | RW | 0x0 |
| 18 | UFSR_INVPC : Sticky flag indicating whether an integrity check error has occurred | RW | 0x0 |
| 17 | UFSR_INVSTATE : Sticky flag indicating whether an EPSR.T or EPSR.IT validity error has occurred | RW | 0x0 |
| 16 | UFSR_UNDEFINSTR : Sticky flag indicating whether an undefined instruction error has occurred | RW | 0x0 |
| 15 | BFSR_BFARVALID : Indicates validity of the contents of the BFAR register | RW | 0x0 |
| 14 | Reserved. | - | - |

| Bits | Description | Type | Reset |
|------|---|------|-------|
| 13 | BFSR_LSPERR : Records whether a BusFault occurred during FP lazy state preservation | RW | 0x0 |
| 12 | BFSR_STKERR : Records whether a derived BusFault occurred during exception entry stacking | RW | 0x0 |
| 11 | BFSR_UNSTKERR : Records whether a derived BusFault occurred during exception return unstacking | RW | 0x0 |
| 10 | BFSR_IMPRECISERR : Records whether an imprecise data access error has occurred | RW | 0x0 |
| 9 | BFSR_PRECISERR : Records whether a precise data access error has occurred | RW | 0x0 |
| 8 | BFSR_IBUSERR : Records whether a BusFault on an instruction prefetch has occurred | RW | 0x0 |
| 7:0 | MMFSR : Provides information on MemManage exceptions | RW | 0x00 |

M33: HFSR Register

Offset: 0x0ed2c

Description

Shows the cause of any HardFaults

Table 211. HFSR Register

| Bits | Description | Type | Reset |
|------|---|------|-------|
| 31 | DEBUGEVT : Indicates when a Debug event has occurred | RW | 0x0 |
| 30 | FORCED : Indicates that a fault with configurable priority has been escalated to a HardFault exception, because it could not be made active, because of priority, or because it was disabled | RW | 0x0 |
| 29:2 | Reserved. | - | - |
| 1 | VECTTBL : Indicates when a fault has occurred because of a vector table read error on exception processing | RW | 0x0 |
| 0 | Reserved. | - | - |

M33: DFSR Register

Offset: 0x0ed30

Description

Shows which debug event occurred

Table 212. DFSR Register

| Bits | Description | Type | Reset |
|------|---|------|-------|
| 31:5 | Reserved. | - | - |
| 4 | EXTERNAL : Sticky flag indicating whether an External debug request debug event has occurred | RW | 0x0 |
| 3 | VCATCH : Sticky flag indicating whether a Vector catch debug event has occurred | RW | 0x0 |
| 2 | DWTTRAP : Sticky flag indicating whether a Watchpoint debug event has occurred | RW | 0x0 |
| 1 | BKPT : Sticky flag indicating whether a Breakpoint debug event has occurred | RW | 0x0 |

| Bits | Description | Type | Reset |
|------|--|------|-------|
| 0 | HALTED: Sticky flag indicating that a Halt request debug event or Step debug event has occurred | RW | 0x0 |

M33: MMFAR Register

Offset: 0x0ed34

Description

Shows the address of the memory location that caused an MPU fault

Table 213. MMFAR Register

| Bits | Description | Type | Reset |
|------|---|------|------------|
| 31:0 | ADDRESS: This register is updated with the address of a location that produced a MemManage fault. The MMFSR shows the cause of the fault, and whether this field is valid. This field is valid only when MMFSR.MMARVALID is set, otherwise it is UNKNOWN | RW | 0x00000000 |

M33: BFAR Register

Offset: 0x0ed38

Description

Shows the address associated with a precise data access BusFault

Table 214. BFAR Register

| Bits | Description | Type | Reset |
|------|---|------|------------|
| 31:0 | ADDRESS: This register is updated with the address of a location that produced a BusFault. The BFSR shows the reason for the fault. This field is valid only when BFSR.BFARVALID is set, otherwise it is UNKNOWN | RW | 0x00000000 |

M33: ID_PFR0 Register

Offset: 0x0ed40

Description

Gives top-level information about the instruction set supported by the PE

Table 215. ID_PFR0 Register

| Bits | Description | Type | Reset |
|------|--|------|-------|
| 31:8 | Reserved. | - | - |
| 7:4 | STATE1: T32 instruction set support | RO | 0x3 |
| 3:0 | STATE0: A32 instruction set support | RO | 0x0 |

M33: ID_PFR1 Register

Offset: 0x0ed44

Description

Gives information about the programmers' model and Extensions support

Table 216. ID_PFR1 Register

| Bits | Description | Type | Reset |
|-------|--|------|-------|
| 31:12 | Reserved. | - | - |
| 11:8 | MPROGMOD: Identifies support for the M-Profile programmers' model support | RO | 0x5 |
| 7:4 | SECURITY: Identifies whether the Security Extension is implemented | RO | 0x2 |
| 3:0 | Reserved. | - | - |

M33: ID_DFR0 Register

Offset: 0x0ed48

Description

Provides top level information about the debug system

Table 217. ID_DFR0 Register

| Bits | Description | Type | Reset |
|-------|--|------|-------|
| 31:24 | Reserved. | - | - |
| 23:20 | MPROFDBG : Indicates the supported M-profile debug architecture | RO | 0x2 |
| 19:0 | Reserved. | - | - |

M33: ID_AFR0 Register

Offset: 0x0ed4c

Description

Provides information about the IMPLEMENTATION DEFINED features of the PE

Table 218. ID_AFR0 Register

| Bits | Description | Type | Reset |
|-------|---|------|-------|
| 31:16 | Reserved. | - | - |
| 15:12 | IMPDEF3 : IMPLEMENTATION DEFINED meaning | RO | 0x0 |
| 11:8 | IMPDEF2 : IMPLEMENTATION DEFINED meaning | RO | 0x0 |
| 7:4 | IMPDEF1 : IMPLEMENTATION DEFINED meaning | RO | 0x0 |
| 3:0 | IMPDEF0 : IMPLEMENTATION DEFINED meaning | RO | 0x0 |

M33: ID_MMFR0 Register

Offset: 0x0ed50

Description

Provides information about the implemented memory model and memory management support

Table 219. ID_MMFR0 Register

| Bits | Description | Type | Reset |
|-------|---|------|-------|
| 31:24 | Reserved. | - | - |
| 23:20 | AUXREG : Indicates support for Auxiliary Control Registers | RO | 0x1 |
| 19:16 | TCM : Indicates support for tightly coupled memories (TCMs) | RO | 0x0 |
| 15:12 | SHARELVL : Indicates the number of shareability levels implemented | RO | 0x1 |
| 11:8 | OUTERSHR : Indicates the outermost shareability domain implemented | RO | 0xf |
| 7:4 | PMSA : Indicates support for the protected memory system architecture (PMSA) | RO | 0x4 |
| 3:0 | Reserved. | - | - |

M33: ID_MMFR1 Register

Offset: 0x0ed54

Description

Provides information about the implemented memory model and memory management support

Table 220. ID_MMFR1 Register

| Bits | Description | Type | Reset |
|------|-------------|------|-------|
| 31:0 | Reserved. | - | - |

M33: ID_MMFR2 Register

Offset: 0x0ed58

Description

Provides information about the implemented memory model and memory management support

Table 221. ID_MMFR2 Register

| Bits | Description | Type | Reset |
|-------|--|------|-------|
| 31:28 | Reserved. | - | - |
| 27:24 | WFISTALL: Indicates the support for Wait For Interrupt (WFI) stalling | RO | 0x1 |
| 23:0 | Reserved. | - | - |

M33: ID_MMFR3 Register

Offset: 0x0ed5c

Description

Provides information about the implemented memory model and memory management support

Table 222. ID_MMFR3 Register

| Bits | Description | Type | Reset |
|-------|--|------|-------|
| 31:12 | Reserved. | - | - |
| 11:8 | BPMAINT: Indicates the supported branch predictor maintenance | RO | 0x0 |
| 7:4 | CMAINTSW: Indicates the supported cache maintenance operations by set/way | RO | 0x0 |
| 3:0 | CMAINTVA: Indicates the supported cache maintenance operations by address | RO | 0x0 |

M33: ID_ISAR0 Register

Offset: 0x0ed60

Description

Provides information about the instruction set implemented by the PE

Table 223. ID_ISAR0 Register

| Bits | Description | Type | Reset |
|-------|--|------|-------|
| 31:28 | Reserved. | - | - |
| 27:24 | DIVIDE: Indicates the supported Divide instructions | RO | 0x8 |
| 23:20 | DEBUG: Indicates the implemented Debug instructions | RO | 0x0 |
| 19:16 | COPROC: Indicates the supported Coprocessor instructions | RO | 0x9 |
| 15:12 | CMPBRANCH: Indicates the supported combined Compare and Branch instructions | RO | 0x2 |
| 11:8 | BITFIELD: Indicates the supported bit field instructions | RO | 0x3 |

| Bits | Description | Type | Reset |
|------|--|------|-------|
| 7:4 | BITCOUNT : Indicates the supported bit count instructions | RO | 0x0 |
| 3:0 | Reserved. | - | - |

M33: ID_ISAR1 Register

Offset: 0x0ed64

Description

Provides information about the instruction set implemented by the PE

Table 224. ID_ISAR1 Register

| Bits | Description | Type | Reset |
|-------|--|------|-------|
| 31:28 | Reserved. | - | - |
| 27:24 | INTERWORK : Indicates the implemented Interworking instructions | RO | 0x5 |
| 23:20 | IMMEDIATE : Indicates the implemented for data-processing instructions with long immediates | RO | 0x7 |
| 19:16 | IFTTHEN : Indicates the implemented If-Then instructions | RO | 0x2 |
| 15:12 | EXTEND : Indicates the implemented Extend instructions | RO | 0x5 |
| 11:0 | Reserved. | - | - |

M33: ID_ISAR2 Register

Offset: 0x0ed68

Description

Provides information about the instruction set implemented by the PE

Table 225. ID_ISAR2 Register

| Bits | Description | Type | Reset |
|-------|---|------|-------|
| 31:28 | REVERSAL : Indicates the implemented Reversal instructions | RO | 0x3 |
| 27:24 | Reserved. | - | - |
| 23:20 | MULTU : Indicates the implemented advanced unsigned Multiply instructions | RO | 0x1 |
| 19:16 | MULTS : Indicates the implemented advanced signed Multiply instructions | RO | 0x7 |
| 15:12 | MULT : Indicates the implemented additional Multiply instructions | RO | 0x3 |
| 11:8 | MULTIACCESSINT : Indicates the support for interruptible multi-access instructions | RO | 0x4 |
| 7:4 | MEMHINT : Indicates the implemented Memory Hint instructions | RO | 0x2 |
| 3:0 | LOADSTORE : Indicates the implemented additional load/store instructions | RO | 0x6 |

M33: ID_ISAR3 Register

Offset: 0x0ed6c

Description

Provides information about the instruction set implemented by the PE

Table 226. ID_ISAR3 Register

| Bits | Description | Type | Reset |
|-------|-------------|------|-------|
| 31:28 | Reserved. | - | - |

| Bits | Description | Type | Reset |
|-------|--|------|-------|
| 27:24 | TRUENOP : Indicates the implemented true NOP instructions | RO | 0x7 |
| 23:20 | T32COPY : Indicates the support for T32 non flag-setting MOV instructions | RO | 0x8 |
| 19:16 | TABBANCH : Indicates the implemented Table Branch instructions | RO | 0x9 |
| 15:12 | SYNCHPRIM : Used in conjunction with ID_ISAR4.SynchPrim_frac to indicate the implemented Synchronization Primitive instructions | RO | 0x5 |
| 11:8 | SVC : Indicates the implemented SVC instructions | RO | 0x7 |
| 7:4 | SIMD : Indicates the implemented SIMD instructions | RO | 0x2 |
| 3:0 | SATURATE : Indicates the implemented saturating instructions | RO | 0x9 |

M33: ID_ISAR4 Register

Offset: 0x0ed70

Description

Provides information about the instruction set implemented by the PE

Table 227. ID_ISAR4 Register

| Bits | Description | Type | Reset |
|-------|--|------|-------|
| 31:28 | Reserved. | - | - |
| 27:24 | PSR_M : Indicates the implemented M profile instructions to modify the PSRs | RO | 0x1 |
| 23:20 | SYNCPRI_M_FRAC : Used in conjunction with ID_ISAR3.SynchPrim to indicate the implemented Synchronization Primitive instructions | RO | 0x3 |
| 19:16 | BARRIER : Indicates the implemented Barrier instructions | RO | 0x1 |
| 15:12 | Reserved. | - | - |
| 11:8 | WRITEBACK : Indicates the support for writeback addressing modes | RO | 0x1 |
| 7:4 | WITHSHIFTS : Indicates the support for writeback addressing modes | RO | 0x3 |
| 3:0 | UNPRIV : Indicates the implemented unprivileged instructions | RO | 0x2 |

M33: ID_ISAR5 Register

Offset: 0x0ed74

Description

Provides information about the instruction set implemented by the PE

Table 228. ID_ISAR5 Register

| Bits | Description | Type | Reset |
|------|-------------|------|-------|
| 31:0 | Reserved. | - | - |

M33: CTR Register

Offset: 0x0ed7c

Description

Provides information about the architecture of the caches. CTR is RES0 if CLIDR is zero.

Table 229. CTR Register

| Bits | Description | Type | Reset |
|------|------------------------------|------|-------|
| 31 | RES1 : Reserved, RES1 | RO | 0x1 |

| Bits | Description | Type | Reset |
|-------|---|------|-------|
| 30:28 | Reserved. | - | - |
| 27:24 | CWG : Log2 of the number of words of the maximum size of memory that can be overwritten as a result of the eviction of a cache entry that has had a memory location in it modified | RO | 0x0 |
| 23:20 | ERG : Log2 of the number of words of the maximum size of the reservation granule that has been implemented for the Load-Exclusive and Store-Exclusive instructions | RO | 0x0 |
| 19:16 | DMINLINE : Log2 of the number of words in the smallest cache line of all the data caches and unified caches that are controlled by the PE | RO | 0x0 |
| 15:14 | RES1_1 : Reserved, RES1 | RO | 0x3 |
| 13:4 | Reserved. | - | - |
| 3:0 | IMINLINE : Log2 of the number of words in the smallest cache line of all the instruction caches that are controlled by the PE | RO | 0x0 |

M33: CPACR Register

Offset: 0x0ed88

Description

Specifies the access privileges for coprocessors and the FP Extension

Table 230. CPACR Register

| Bits | Description | Type | Reset |
|-------|--|------|-------|
| 31:24 | Reserved. | - | - |
| 23:22 | CP11 : The value in this field is ignored. If the implementation does not include the FP Extension, this field is RAZ/WI. If the value of this bit is not programmed to the same value as the CP10 field, then the value is UNKNOWN | RW | 0x0 |
| 21:20 | CP10 : Defines the access rights for the floating-point functionality | RW | 0x0 |
| 19:16 | Reserved. | - | - |
| 15:14 | CP7 : Controls access privileges for coprocessor 7 | RW | 0x0 |
| 13:12 | CP6 : Controls access privileges for coprocessor 6 | RW | 0x0 |
| 11:10 | CP5 : Controls access privileges for coprocessor 5 | RW | 0x0 |
| 9:8 | CP4 : Controls access privileges for coprocessor 4 | RW | 0x0 |
| 7:6 | CP3 : Controls access privileges for coprocessor 3 | RW | 0x0 |
| 5:4 | CP2 : Controls access privileges for coprocessor 2 | RW | 0x0 |
| 3:2 | CP1 : Controls access privileges for coprocessor 1 | RW | 0x0 |
| 1:0 | CP0 : Controls access privileges for coprocessor 0 | RW | 0x0 |

M33: NSACR Register

Offset: 0x0ed8c

Description

Defines the Non-secure access permissions for both the FP Extension and coprocessors CP0 to CP7

Table 231. NSACR Register

| Bits | Description | Type | Reset |
|-------|---|------|-------|
| 31:12 | Reserved. | - | - |
| 11 | CP11 : Enables Non-secure access to the Floating-point Extension | RW | 0x0 |
| 10 | CP10 : Enables Non-secure access to the Floating-point Extension | RW | 0x0 |
| 9:8 | Reserved. | - | - |
| 7 | CP7 : Enables Non-secure access to coprocessor CP7 | RW | 0x0 |
| 6 | CP6 : Enables Non-secure access to coprocessor CP6 | RW | 0x0 |
| 5 | CP5 : Enables Non-secure access to coprocessor CP5 | RW | 0x0 |
| 4 | CP4 : Enables Non-secure access to coprocessor CP4 | RW | 0x0 |
| 3 | CP3 : Enables Non-secure access to coprocessor CP3 | RW | 0x0 |
| 2 | CP2 : Enables Non-secure access to coprocessor CP2 | RW | 0x0 |
| 1 | CP1 : Enables Non-secure access to coprocessor CP1 | RW | 0x0 |
| 0 | CP0 : Enables Non-secure access to coprocessor CP0 | RW | 0x0 |

M33: MPU_TYPE Register

Offset: 0x0ed90

Description

The MPU Type Register indicates how many regions the MPU `FTSSS supports

Table 232. MPU_TYPE Register

| Bits | Description | Type | Reset |
|-------|--|------|-------|
| 31:16 | Reserved. | - | - |
| 15:8 | DREGION : Number of regions supported by the MPU | RO | 0x08 |
| 7:1 | Reserved. | - | - |
| 0 | SEPARATE : Indicates support for separate instructions and data address regions | RO | 0x0 |

M33: MPU_CTRL Register

Offset: 0x0ed94

Description

Enables the MPU and, when the MPU is enabled, controls whether the default memory map is enabled as a background region for privileged accesses, and whether the MPU is enabled for HardFaults, NMIs, and exception handlers when FAULTMASK is set to 1

Table 233. MPU_CTRL Register

| Bits | Description | Type | Reset |
|------|---|------|-------|
| 31:3 | Reserved. | - | - |
| 2 | PRIVDEFENA : Controls whether the default memory map is enabled for privileged software | RW | 0x0 |
| 1 | HFNMIENA : Controls whether handlers executing with priority less than 0 access memory with the MPU enabled or disabled. This applies to HardFaults, NMIs, and exception handlers when FAULTMASK is set to 1 | RW | 0x0 |
| 0 | ENABLE : Enables the MPU | RW | 0x0 |

M33: MPU_RNR Register

Offset: 0x0ed98

Description

Selects the region currently accessed by MPU_RBAR and MPU_RLAR

Table 234. MPU_RNR Register

| Bits | Description | Type | Reset |
|------|--|------|-------|
| 31:3 | Reserved. | - | - |
| 2:0 | REGION: Indicates the memory region accessed by MPU_RBAR and MPU_RLAR | RW | 0x0 |

M33: MPU_RBAR Register

Offset: 0x0ed9c

Description

Provides indirect read and write access to the base address of the currently selected MPU region `FTSSS

Table 235. MPU_RBAR Register

| Bits | Description | Type | Reset |
|------|---|------|-----------|
| 31:5 | BASE: Contains bits [31:5] of the lower inclusive limit of the selected MPU memory region. This value is zero extended to provide the base address to be checked against | RW | 0x0000000 |
| 4:3 | SH: Defines the Shareability domain of this region for Normal memory | RW | 0x0 |
| 2:1 | AP: Defines the access permissions for this region | RW | 0x0 |
| 0 | XN: Defines whether code can be executed from this region | RW | 0x0 |

M33: MPU_RLAR Register

Offset: 0x0eda0

Description

Provides indirect read and write access to the limit address of the currently selected MPU region `FTSSS

Table 236. MPU_RLAR Register

| Bits | Description | Type | Reset |
|------|---|------|-----------|
| 31:5 | LIMIT: Contains bits [31:5] of the upper inclusive limit of the selected MPU memory region. This value is postfixed with 0x1F to provide the limit address to be checked against | RW | 0x0000000 |
| 4 | Reserved. | - | - |
| 3:1 | ATTRINDEX: Associates a set of attributes in the MPU_MAIR0 and MPU_MAIR1 fields | RW | 0x0 |
| 0 | EN: Region enable | RW | 0x0 |

M33: MPU_RBAR_A1 Register

Offset: 0x0eda4

Description

Provides indirect read and write access to the base address of the MPU region selected by MPU_RNR[7:2];(1[1:0]) `FTSSS

Table 237.
 MPU_RBAR_A1
 Register

| Bits | Description | Type | Reset |
|------|--|------|-----------|
| 31:5 | BASE : Contains bits [31:5] of the lower inclusive limit of the selected MPU memory region. This value is zero extended to provide the base address to be checked against | RW | 0x0000000 |
| 4:3 | SH : Defines the Shareability domain of this region for Normal memory | RW | 0x0 |
| 2:1 | AP : Defines the access permissions for this region | RW | 0x0 |
| 0 | XN : Defines whether code can be executed from this region | RW | 0x0 |

M33: MPU_RLAR_A1 Register

Offset: 0x0eda8

Description

Provides indirect read and write access to the limit address of the currently selected MPU region selected by MPU_RNR[7:2]:(1[1:0]) `FTSSS

 Table 238.
 MPU_RLAR_A1
 Register

| Bits | Description | Type | Reset |
|------|--|------|-----------|
| 31:5 | LIMIT : Contains bits [31:5] of the upper inclusive limit of the selected MPU memory region. This value is postfixed with 0x1F to provide the limit address to be checked against | RW | 0x0000000 |
| 4 | Reserved. | - | - |
| 3:1 | ATTRINDX : Associates a set of attributes in the MPU_MAIR0 and MPU_MAIR1 fields | RW | 0x0 |
| 0 | EN : Region enable | RW | 0x0 |

M33: MPU_RBAR_A2 Register

Offset: 0x0edac

Description

Provides indirect read and write access to the base address of the MPU region selected by MPU_RNR[7:2]:(2[1:0]) `FTSSS

 Table 239.
 MPU_RBAR_A2
 Register

| Bits | Description | Type | Reset |
|------|--|------|-----------|
| 31:5 | BASE : Contains bits [31:5] of the lower inclusive limit of the selected MPU memory region. This value is zero extended to provide the base address to be checked against | RW | 0x0000000 |
| 4:3 | SH : Defines the Shareability domain of this region for Normal memory | RW | 0x0 |
| 2:1 | AP : Defines the access permissions for this region | RW | 0x0 |
| 0 | XN : Defines whether code can be executed from this region | RW | 0x0 |

M33: MPU_RLAR_A2 Register

Offset: 0x0edb0

Description

Provides indirect read and write access to the limit address of the currently selected MPU region selected by MPU_RNR[7:2]:(2[1:0]) `FTSSS

Table 240.
 MPU_RLAR_A2
 Register

| Bits | Description | Type | Reset |
|------|--|------|-----------|
| 31:5 | LIMIT : Contains bits [31:5] of the upper inclusive limit of the selected MPU memory region. This value is postfixed with 0x1F to provide the limit address to be checked against | RW | 0x0000000 |
| 4 | Reserved. | - | - |
| 3:1 | ATTRINDEX : Associates a set of attributes in the MPU_MAIR0 and MPU_MAIR1 fields | RW | 0x0 |
| 0 | EN : Region enable | RW | 0x0 |

M33: MPU_RBAR_A3 Register

Offset: 0x0edb4

Description

Provides indirect read and write access to the base address of the MPU region selected by MPU_RNR[7:2]:(3[1:0]) `FTSS

 Table 241.
 MPU_RBAR_A3
 Register

| Bits | Description | Type | Reset |
|------|--|------|-----------|
| 31:5 | BASE : Contains bits [31:5] of the lower inclusive limit of the selected MPU memory region. This value is zero extended to provide the base address to be checked against | RW | 0x0000000 |
| 4:3 | SH : Defines the Shareability domain of this region for Normal memory | RW | 0x0 |
| 2:1 | AP : Defines the access permissions for this region | RW | 0x0 |
| 0 | XN : Defines whether code can be executed from this region | RW | 0x0 |

M33: MPU_RLAR_A3 Register

Offset: 0x0edb8

Description

Provides indirect read and write access to the limit address of the currently selected MPU region selected by MPU_RNR[7:2]:(3[1:0]) `FTSS

 Table 242.
 MPU_RLAR_A3
 Register

| Bits | Description | Type | Reset |
|------|--|------|-----------|
| 31:5 | LIMIT : Contains bits [31:5] of the upper inclusive limit of the selected MPU memory region. This value is postfixed with 0x1F to provide the limit address to be checked against | RW | 0x0000000 |
| 4 | Reserved. | - | - |
| 3:1 | ATTRINDEX : Associates a set of attributes in the MPU_MAIR0 and MPU_MAIR1 fields | RW | 0x0 |
| 0 | EN : Region enable | RW | 0x0 |

M33: MPU_MAIR0 Register

Offset: 0x0edc0

Description

Along with MPU_MAIR1, provides the memory attribute encodings corresponding to the AttrIndex values

 Table 243.
 MPU_MAIR0 Register

| Bits | Description | Type | Reset |
|-------|---|------|-------|
| 31:24 | ATTR3 : Memory attribute encoding for MPU regions with an AttrIndex of 3 | RW | 0x00 |

| Bits | Description | Type | Reset |
|-------|--|------|-------|
| 23:16 | ATTR2: Memory attribute encoding for MPU regions with an AttrIndex of 2 | RW | 0x00 |
| 15:8 | ATTR1: Memory attribute encoding for MPU regions with an AttrIndex of 1 | RW | 0x00 |
| 7:0 | ATTR0: Memory attribute encoding for MPU regions with an AttrIndex of 0 | RW | 0x00 |

M33: MPU_MAIR1 Register

Offset: 0x0edc4

Description

Along with MPU_MAIR0, provides the memory attribute encodings corresponding to the AttrIndex values

Table 244. MPU_MAIR1 Register

| Bits | Description | Type | Reset |
|-------|--|------|-------|
| 31:24 | ATTR7: Memory attribute encoding for MPU regions with an AttrIndex of 7 | RW | 0x00 |
| 23:16 | ATTR6: Memory attribute encoding for MPU regions with an AttrIndex of 6 | RW | 0x00 |
| 15:8 | ATTR5: Memory attribute encoding for MPU regions with an AttrIndex of 5 | RW | 0x00 |
| 7:0 | ATTR4: Memory attribute encoding for MPU regions with an AttrIndex of 4 | RW | 0x00 |

M33: SAU_CTRL Register

Offset: 0x0edd0

Description

Allows enabling of the Security Attribution Unit

Table 245. SAU_CTRL Register

| Bits | Description | Type | Reset |
|------|---|------|-------|
| 31:2 | Reserved. | - | - |
| 1 | ALLNS: When SAU_CTRL.ENABLE is 0 this bit controls if the memory is marked as Non-secure or Secure | RW | 0x0 |
| 0 | ENABLE: Enables the SAU | RW | 0x0 |

M33: SAU_TYPE Register

Offset: 0x0edd4

Description

Indicates the number of regions implemented by the Security Attribution Unit

Table 246. SAU_TYPE Register

| Bits | Description | Type | Reset |
|------|---|------|-------|
| 31:8 | Reserved. | - | - |
| 7:0 | SREGION: The number of implemented SAU regions | RO | 0x08 |

M33: SAU_RNR Register

Offset: 0x0edd8

Description

Selects the region currently accessed by SAU_RBAR and SAU_RLAR

Table 247. SAU_RNR Register

| Bits | Description | Type | Reset |
|------|-------------|------|-------|
| 31:8 | Reserved. | - | - |

| Bits | Description | Type | Reset |
|------|---|------|-------|
| 7:0 | REGION: Indicates the SAU region accessed by SAU_RBAR and SAU_RLAR | RW | 0x00 |

M33: SAU_RBAR Register

Offset: 0x0eddc

Description

Provides indirect read and write access to the base address of the currently selected SAU region

Table 248. SAU_RBAR Register

| Bits | Description | Type | Reset |
|------|---|------|-----------|
| 31:5 | BADDR: Holds bits [31:5] of the base address for the selected SAU region | RW | 0x0000000 |
| 4:0 | Reserved. | - | - |

M33: SAU_RLAR Register

Offset: 0x0ede0

Description

Provides indirect read and write access to the limit address of the currently selected SAU region

Table 249. SAU_RLAR Register

| Bits | Description | Type | Reset |
|------|--|------|-----------|
| 31:5 | LADDR: Holds bits [31:5] of the limit address for the selected SAU region | RW | 0x0000000 |
| 4:2 | Reserved. | - | - |
| 1 | NSC: Controls whether Non-secure state is permitted to execute an SG instruction from this region | RW | 0x0 |
| 0 | ENABLE: SAU region enable | RW | 0x0 |

M33: SFSR Register

Offset: 0x0ede4

Description

Provides information about any security related faults

Table 250. SFSR Register

| Bits | Description | Type | Reset |
|------|--|------|-------|
| 31:8 | Reserved. | - | - |
| 7 | LSERR: Sticky flag indicating that an error occurred during lazy state activation or deactivation | RW | 0x0 |
| 6 | SFARVALID: This bit is set when the SFAR register contains a valid value. As with similar fields, such as BFSR.BFARVALID and MMFSR.MMARVALID, this bit can be cleared by other exceptions, such as BusFault | RW | 0x0 |
| 5 | LSPERR: Sticky flag indicating that an SAU or IDAU violation occurred during the lazy preservation of floating-point state | RW | 0x0 |
| 4 | INVTRAN: Sticky flag indicating that an exception was raised due to a branch that was not flagged as being domain crossing causing a transition from Secure to Non-secure memory | RW | 0x0 |

| Bits | Description | Type | Reset |
|------|--|------|-------|
| 3 | AUVIOL : Sticky flag indicating that an attempt was made to access parts of the address space that are marked as Secure with NS-Req for the transaction set to Non-secure. This bit is not set if the violation occurred during lazy state preservation. See LSPERR | RW | 0x0 |
| 2 | INVER : This can be caused by EXC_RETURN.DCRS being set to 0 when returning from an exception in the Non-secure state, or by EXC_RETURN.ES being set to 1 when returning from an exception in the Non-secure state | RW | 0x0 |
| 1 | INVIS : This bit is set if the integrity signature in an exception stack frame is found to be invalid during the unstacking operation | RW | 0x0 |
| 0 | INVEP : This bit is set if a function call from the Non-secure state or exception targets a non-SG instruction in the Secure state. This bit is also set if the target address is a SG instruction, but there is no matching SAU/IDAU region with the NSC flag set | RW | 0x0 |

M33: SFAR Register

Offset: 0x0ede8

Description

Shows the address of the memory location that caused a Security violation

Table 251. SFAR Register

| Bits | Description | Type | Reset |
|------|--|------|------------|
| 31:0 | ADDRESS : The address of an access that caused a attribution unit violation. This field is only valid when SFSR.SFARVALID is set. This allows the actual flip flops associated with this register to be shared with other fault address registers. If an implementation chooses to share the storage in this way, care must be taken to not leak Secure address information to the Non-secure state. One way of achieving this is to share the SFAR register with the MMFAR_S register, which is not accessible to the Non-secure state | RW | 0x00000000 |

M33: DHCSR Register

Offset: 0x0edf0

Description

Controls halting debug

Table 252. DHCSR Register

| Bits | Description | Type | Reset |
|-------|--|------|-------|
| 31:27 | Reserved. | - | - |
| 26 | S_RESTART_ST : Indicates the PE has processed a request to clear DHCSR.C_HALT to 0. That is, either a write to DHCSR that clears DHCSR.C_HALT from 1 to 0, or an External Restart Request | RO | 0x0 |
| 25 | S_RESET_ST : Indicates whether the PE has been reset since the last read of the DHCSR | RO | 0x0 |
| 24 | S_RETIRE_ST : Set to 1 every time the PE retires one of more instructions | RO | 0x0 |
| 23:21 | Reserved. | - | - |
| 20 | S_SDE : Indicates whether Secure invasive debug is allowed | RO | 0x0 |
| 19 | S_LOCKUP : Indicates whether the PE is in Lockup state | RO | 0x0 |
| 18 | S_SLEEP : Indicates whether the PE is sleeping | RO | 0x0 |

| Bits | Description | Type | Reset |
|------|--|------|-------|
| 17 | S_HALT : Indicates whether the PE is in Debug state | RO | 0x0 |
| 16 | S_REGRDY : Handshake flag to transfers through the DCRDR | RO | 0x0 |
| 15:6 | Reserved. | - | - |
| 5 | C_SNAPSTALL : Allow imprecise entry to Debug state | RW | 0x0 |
| 4 | Reserved. | - | - |
| 3 | C_MASKINTS : When debug is enabled, the debugger can write to this bit to mask PendSV, SysTick and external configurable interrupts | RW | 0x0 |
| 2 | C_STEP : Enable single instruction step | RW | 0x0 |
| 1 | C_HALT : PE enter Debug state halt request | RW | 0x0 |
| 0 | C_DEBUGEN : Enable Halting debug | RW | 0x0 |

M33: DCRSR Register

Offset: 0x0edf4

Description

With the DCRDR, provides debug access to the general-purpose registers, special-purpose registers, and the FP extension registers. A write to the DCRSR specifies the register to transfer, whether the transfer is a read or write, and starts the transfer

Table 253. DCRSR Register

| Bits | Description | Type | Reset |
|-------|--|------|-------|
| 31:17 | Reserved. | - | - |
| 16 | REGWNR : Specifies the access type for the transfer | RW | 0x0 |
| 15:7 | Reserved. | - | - |
| 6:0 | REGSEL : Specifies the general-purpose register, special-purpose register, or FP register to transfer | RW | 0x00 |

M33: DCRDR Register

Offset: 0x0edf8

Description

With the DCRSR, provides debug access to the general-purpose registers, special-purpose registers, and the FP Extension registers. If the Main Extension is implemented, it can also be used for message passing between an external debugger and a debug agent running on the PE

Table 254. DCRDR Register

| Bits | Description | Type | Reset |
|------|--|------|------------|
| 31:0 | DBGTMP : Provides debug access for reading and writing the general-purpose registers, special-purpose registers, and Floating-point Extension registers | RW | 0x00000000 |

M33: DEMCR Register

Offset: 0x0edfc

Description

Manages vector catch behavior and DebugMonitor handling when debugging

Table 255. DEMCR Register

| Bits | Description | Type | Reset |
|-------|-------------|------|-------|
| 31:25 | Reserved. | - | - |

| Bits | Description | Type | Reset |
|-------|---|------|-------|
| 24 | TRCENA : Global enable for all DWT and ITM features | RW | 0x0 |
| 23:21 | Reserved. | - | - |
| 20 | SDME : Indicates whether the DebugMonitor targets the Secure or the Non-secure state and whether debug events are allowed in Secure state | RO | 0x0 |
| 19 | MON_REQ : DebugMonitor semaphore bit | RW | 0x0 |
| 18 | MON_STEP : Enable DebugMonitor stepping | RW | 0x0 |
| 17 | MON_PEND : Sets or clears the pending state of the DebugMonitor exception | RW | 0x0 |
| 16 | MON_EN : Enable the DebugMonitor exception | RW | 0x0 |
| 15:12 | Reserved. | - | - |
| 11 | VC_SFERR : SecureFault exception halting debug vector catch enable | RW | 0x0 |
| 10 | VC_HARDERR : HardFault exception halting debug vector catch enable | RW | 0x0 |
| 9 | VC_INTERR : Enable halting debug vector catch for faults during exception entry and return | RW | 0x0 |
| 8 | VC_BUSERR : BusFault exception halting debug vector catch enable | RW | 0x0 |
| 7 | VC_STATERR : Enable halting debug trap on a UsageFault exception caused by a state information error, for example an Undefined Instruction exception | RW | 0x0 |
| 6 | VC_CHKERR : Enable halting debug trap on a UsageFault exception caused by a checking error, for example an alignment check error | RW | 0x0 |
| 5 | VC_NOCPERR : Enable halting debug trap on a UsageFault caused by an access to a coprocessor | RW | 0x0 |
| 4 | VC_MMERR : Enable halting debug trap on a MemManage exception | RW | 0x0 |
| 3:1 | Reserved. | - | - |
| 0 | VC_CORERESET : Enable Reset Vector Catch. This causes a warm reset to halt a running system | RW | 0x0 |

M33: DSCSR Register

Offset: 0x0ee08

Description

Provides control and status information for Secure debug

Table 256. DSCSR Register

| Bits | Description | Type | Reset |
|-------|---|------|-------|
| 31:18 | Reserved. | - | - |
| 17 | CDSKEY : Writes to the CDS bit are ignored unless CDSKEY is concurrently written to zero | RW | 0x0 |
| 16 | CDS : This field indicates the current Security state of the processor | RW | 0x0 |
| 15:2 | Reserved. | - | - |
| 1 | SBRSEL : If SBRSELEN is 1 this bit selects whether the Non-secure or the Secure version of the memory-mapped Banked registers are accessible to the debugger | RW | 0x0 |

| Bits | Description | Type | Reset |
|------|---|------|-------|
| 0 | SBRSELEN : Controls whether the SBRSEL field or the current Security state of the processor selects which version of the memory-mapped Banked registers are accessed to the debugger | RW | 0x0 |

M33: STIR Register

Offset: 0x0ef00

Description

Provides a mechanism for software to generate an interrupt

Table 257. STIR Register

| Bits | Description | Type | Reset |
|------|--|------|-------|
| 31:9 | Reserved. | - | - |
| 8:0 | INTID : Indicates the interrupt to be pended. The value written is (ExceptionNumber - 16) | RW | 0x000 |

M33: FPCCR Register

Offset: 0x0ef34

Description

Holds control data for the Floating-point extension

Table 258. FPCCR Register

| Bits | Description | Type | Reset |
|-------|--|------|-------|
| 31 | ASPEN : When this bit is set to 1, execution of a floating-point instruction sets the CONTROL.FPCA bit to 1 | RW | 0x0 |
| 30 | LSPEN : Enables lazy context save of floating-point state | RW | 0x0 |
| 29 | LSPENS : This bit controls whether the LSPEN bit is writeable from the Non-secure state | RW | 0x1 |
| 28 | CLRONRET : Clear floating-point caller saved registers on exception return | RW | 0x0 |
| 27 | CLRONRETS : This bit controls whether the CLRONRET bit is writeable from the Non-secure state | RW | 0x0 |
| 26 | TS : Treat floating-point registers as Secure enable | RW | 0x0 |
| 25:11 | Reserved. | - | - |
| 10 | UFRDY : Indicates whether the software executing when the PE allocated the floating-point stack frame was able to set the UsageFault exception to pending | RW | 0x1 |
| 9 | SPLIMVIOL : This bit is banked between the Security states and indicates whether the floating-point context violates the stack pointer limit that was active when lazy state preservation was activated. SPLIMVIOL modifies the lazy floating-point state preservation behavior | RW | 0x0 |
| 8 | MONRDY : Indicates whether the software executing when the PE allocated the floating-point stack frame was able to set the DebugMonitor exception to pending | RW | 0x0 |
| 7 | SFRDY : Indicates whether the software executing when the PE allocated the floating-point stack frame was able to set the SecureFault exception to pending. This bit is only present in the Secure version of the register, and behaves as RAZ/WI when accessed from the Non-secure state | RW | 0x0 |

| Bits | Description | Type | Reset |
|------|--|------|-------|
| 6 | BFRDY : Indicates whether the software executing when the PE allocated the floating-point stack frame was able to set the BusFault exception to pending | RW | 0x1 |
| 5 | MMRDY : Indicates whether the software executing when the PE allocated the floating-point stack frame was able to set the MemManage exception to pending | RW | 0x1 |
| 4 | HFRDY : Indicates whether the software executing when the PE allocated the floating-point stack frame was able to set the HardFault exception to pending | RW | 0x1 |
| 3 | THREAD : Indicates the PE mode when it allocated the floating-point stack frame | RW | 0x0 |
| 2 | S : Security status of the floating-point context. This bit is only present in the Secure version of the register, and behaves as RAZ/WI when accessed from the Non-secure state. This bit is updated whenever lazy state preservation is activated, or when a floating-point instruction is executed | RW | 0x0 |
| 1 | USER : Indicates the privilege level of the software executing when the PE allocated the floating-point stack frame | RW | 0x1 |
| 0 | LSPACT : Indicates whether lazy preservation of the floating-point state is active | RW | 0x0 |

M33: FPCAR Register

Offset: 0x0ef38

Description

Holds the location of the unpopulated floating-point register space allocated on an exception stack frame

Table 259. FPCAR Register

| Bits | Description | Type | Reset |
|------|--|------|------------|
| 31:3 | ADDRESS : The location of the unpopulated floating-point register space allocated on an exception stack frame | RW | 0x00000000 |
| 2:0 | Reserved. | - | - |

M33: FPDSCR Register

Offset: 0x0ef3c

Description

Holds the default values for the floating-point status control data that the PE assigns to the FPSCR when it creates a new floating-point context

Table 260. FPDSCR Register

| Bits | Description | Type | Reset |
|-------|--|------|-------|
| 31:27 | Reserved. | - | - |
| 26 | AHP : Default value for FPSCR.AHP | RW | 0x0 |
| 25 | DN : Default value for FPSCR.DN | RW | 0x0 |
| 24 | FZ : Default value for FPSCR.FZ | RW | 0x0 |
| 23:22 | RMODE : Default value for FPSCR.RMode | RW | 0x0 |
| 21:0 | Reserved. | - | - |

M33: MVFR0 Register

Offset: 0x0ef40

Description

Describes the features provided by the Floating-point Extension

Table 261. MVFR0 Register

| Bits | Description | Type | Reset |
|-------|---|------|-------|
| 31:28 | FPROUND : Indicates the rounding modes supported by the FP Extension | RO | 0x6 |
| 27:24 | Reserved. | - | - |
| 23:20 | FPSQRT : Indicates the support for FP square root operations | RO | 0x5 |
| 19:16 | FPDIVIDE : Indicates the support for FP divide operations | RO | 0x4 |
| 15:12 | Reserved. | - | - |
| 11:8 | FPDP : Indicates support for FP double-precision operations | RO | 0x6 |
| 7:4 | FPSP : Indicates support for FP single-precision operations | RO | 0x0 |
| 3:0 | SIMDREG : Indicates size of FP register file | RO | 0x1 |

M33: MVFR1 Register

Offset: 0x0ef44

Description

Describes the features provided by the Floating-point Extension

Table 262. MVFR1 Register

| Bits | Description | Type | Reset |
|-------|--|------|-------|
| 31:28 | FMAC : Indicates whether the FP Extension implements the fused multiply accumulate instructions | RO | 0x8 |
| 27:24 | FPHP : Indicates whether the FP Extension implements half-precision FP conversion instructions | RO | 0x5 |
| 23:8 | Reserved. | - | - |
| 7:4 | FPDNAN : Indicates whether the FP hardware implementation supports NaN propagation | RO | 0x8 |
| 3:0 | FPFTZ : Indicates whether subnormals are always flushed-to-zero | RO | 0x9 |

M33: MVFR2 Register

Offset: 0x0ef48

Description

Describes the features provided by the Floating-point Extension

Table 263. MVFR2 Register

| Bits | Description | Type | Reset |
|------|---|------|-------|
| 31:8 | Reserved. | - | - |
| 7:4 | FPMISC : Indicates support for miscellaneous FP features | RO | 0x6 |
| 3:0 | Reserved. | - | - |

M33: DDEVARCH Register

Offset: 0x0efbc

Description

Provides CoreSight discovery information for the SCS

Table 264. DDEVARCH Register

| Bits | Description | Type | Reset |
|-------|---|------|-------|
| 31:21 | ARCHITECT : Defines the architect of the component. Bits [31:28] are the JEP106 continuation code (JEP106 bank ID, minus 1) and bits [27:21] are the JEP106 ID code. | RO | 0x23b |
| 20 | PRESENT : Defines that the DEVARCH register is present | RO | 0x1 |
| 19:16 | REVISION : Defines the architecture revision of the component | RO | 0x0 |
| 15:12 | ARCHVER : Defines the architecture version of the component | RO | 0x2 |
| 11:0 | ARCHPART : Defines the architecture of the component | RO | 0xa04 |

M33: DDEVTYPE Register

Offset: 0x0efcc

Description

Provides CoreSight discovery information for the SCS

Table 265. DDEVTYPE Register

| Bits | Description | Type | Reset |
|------|-------------------------------------|------|-------|
| 31:8 | Reserved. | - | - |
| 7:4 | SUB : Component sub-type | RO | 0x0 |
| 3:0 | MAJOR : CoreSight major type | RO | 0x0 |

M33: DPIDR4 Register

Offset: 0x0efd0

Description

Provides CoreSight discovery information for the SCS

Table 266. DPIDR4 Register

| Bits | Description | Type | Reset |
|------|---|------|-------|
| 31:8 | Reserved. | - | - |
| 7:4 | SIZE : See CoreSight Architecture Specification | RO | 0x0 |
| 3:0 | DES_2 : See CoreSight Architecture Specification | RO | 0x4 |

M33: DPIDR5 Register

Offset: 0x0efd4

Description

Provides CoreSight discovery information for the SCS

Table 267. DPIDR5 Register

| Bits | Description | Type | Reset |
|------|-------------|------|-------|
| 31:0 | Reserved. | - | - |

M33: DPIDR6 Register

Offset: 0x0efd8

Description

Provides CoreSight discovery information for the SCS

Table 268. DPIDR6 Register

| Bits | Description | Type | Reset |
|------|-------------|------|-------|
| 31:0 | Reserved. | - | - |

M33: DPIDR7 Register

Offset: 0x0efdc

Description

Provides CoreSight discovery information for the SCS

Table 269. DPIDR7 Register

| Bits | Description | Type | Reset |
|------|-------------|------|-------|
| 31:0 | Reserved. | - | - |

M33: DPIDR0 Register

Offset: 0x0efe0

Description

Provides CoreSight discovery information for the SCS

Table 270. DPIDR0 Register

| Bits | Description | Type | Reset |
|------|---|------|-------|
| 31:8 | Reserved. | - | - |
| 7:0 | PART_0: See CoreSight Architecture Specification | RO | 0x21 |

M33: DPIDR1 Register

Offset: 0x0efe4

Description

Provides CoreSight discovery information for the SCS

Table 271. DPIDR1 Register

| Bits | Description | Type | Reset |
|------|---|------|-------|
| 31:8 | Reserved. | - | - |
| 7:4 | DES_0: See CoreSight Architecture Specification | RO | 0xb |
| 3:0 | PART_1: See CoreSight Architecture Specification | RO | 0xd |

M33: DPIDR2 Register

Offset: 0x0efe8

Description

Provides CoreSight discovery information for the SCS

Table 272. DPIDR2 Register

| Bits | Description | Type | Reset |
|------|---|------|-------|
| 31:8 | Reserved. | - | - |
| 7:4 | REVISION: See CoreSight Architecture Specification | RO | 0x0 |
| 3 | JEDEC: See CoreSight Architecture Specification | RO | 0x1 |
| 2:0 | DES_1: See CoreSight Architecture Specification | RO | 0x3 |

M33: DPIDR3 Register

Offset: 0x0efec

Description

Provides CoreSight discovery information for the SCS

Table 273. DPIDR3 Register

| Bits | Description | Type | Reset |
|------|---|------|-------|
| 31:8 | Reserved. | - | - |
| 7:4 | REVAND: See CoreSight Architecture Specification | RO | 0x0 |
| 3:0 | CMOD: See CoreSight Architecture Specification | RO | 0x0 |

M33: DCIDR0 Register

Offset: 0x0eff0

Description

Provides CoreSight discovery information for the SCS

Table 274. DCIDR0 Register

| Bits | Description | Type | Reset |
|------|--|------|-------|
| 31:8 | Reserved. | - | - |
| 7:0 | PRMBL_0: See CoreSight Architecture Specification | RO | 0x0d |

M33: DCIDR1 Register

Offset: 0x0eff4

Description

Provides CoreSight discovery information for the SCS

Table 275. DCIDR1 Register

| Bits | Description | Type | Reset |
|------|--|------|-------|
| 31:8 | Reserved. | - | - |
| 7:4 | CLASS: See CoreSight Architecture Specification | RO | 0x9 |
| 3:0 | PRMBL_1: See CoreSight Architecture Specification | RO | 0x0 |

M33: DCIDR2 Register

Offset: 0x0eff8

Description

Provides CoreSight discovery information for the SCS

Table 276. DCIDR2 Register

| Bits | Description | Type | Reset |
|------|--|------|-------|
| 31:8 | Reserved. | - | - |
| 7:0 | PRMBL_2: See CoreSight Architecture Specification | RO | 0x05 |

M33: DCIDR3 Register

Offset: 0x0effc

Description

Provides CoreSight discovery information for the SCS

Table 277. DCIDR3 Register

| Bits | Description | Type | Reset |
|------|---|------|-------|
| 31:8 | Reserved. | - | - |
| 7:0 | PRMBL_3 : See CoreSight Architecture Specification | RO | 0xb1 |

M33: TRCPRGCTLR Register

Offset: 0x41004

Description

Programming Control Register

Table 278. TRCPRGCTLR Register

| Bits | Description | Type | Reset |
|------|-------------------------------|------|-------|
| 31:1 | Reserved. | - | - |
| 0 | EN : Trace Unit Enable | RW | 0x0 |

M33: TRCSTATR Register

Offset: 0x4100c

Description

The TRCSTATR indicates the ETM-Teal status

Table 279. TRCSTATR Register

| Bits | Description | Type | Reset |
|------|---|------|-------|
| 31:2 | Reserved. | - | - |
| 1 | PMSTABLE : Indicates whether the ETM-Teal registers are stable and can be read | RO | 0x0 |
| 0 | IDLE : Indicates that the trace unit is inactive | RO | 0x0 |

M33: TRCCONFIGR Register

Offset: 0x41010

Description

The TRCCONFIGR sets the basic tracing options for the trace unit

Table 280. TRCCONFIGR Register

| Bits | Description | Type | Reset |
|-------|--|------|-------|
| 31:13 | Reserved. | - | - |
| 12 | RS : Resturn stack enable | RW | 0x0 |
| 11 | TS : Global timestamp tracing | RW | 0x0 |
| 10:5 | COND : Conditional instruction tracing | RW | 0x00 |
| 4 | CCI : Cycle counting in instruction trace | RW | 0x0 |
| 3 | BB : Branch broadcast mode | RW | 0x0 |
| 2:0 | Reserved. | - | - |

M33: TRCEVENTCTL0R Register

Offset: 0x41020

Description

The TRCEVENTCTL0R controls the tracing of events in the trace stream. The events also drive the ETM-Teal

external outputs.

Table 281.
TRCEVENTCTL0R
Register

| Bits | Description | Type | Reset |
|-------|---|------|-------|
| 31:16 | Reserved. | - | - |
| 15 | TYPE1 : Selects the resource type for event 1 | RW | 0x0 |
| 14:11 | Reserved. | - | - |
| 10:8 | SEL1 : Selects the resource number, based on the value of TYPE1: When TYPE1 is 0, selects a single selected resource from 0-15 defined by SEL1[2:0]. When TYPE1 is 1, selects a Boolean combined resource pair from 0-7 defined by SEL1[2:0] | RW | 0x0 |
| 7 | TYPE0 : Selects the resource type for event 0 | RW | 0x0 |
| 6:3 | Reserved. | - | - |
| 2:0 | SEL0 : Selects the resource number, based on the value of TYPE0: When TYPE1 is 0, selects a single selected resource from 0-15 defined by SEL0[2:0]. When TYPE1 is 1, selects a Boolean combined resource pair from 0-7 defined by SEL0[2:0] | RW | 0x0 |

M33: TRCEVENTCTL1R Register

Offset: 0x41024

Description

The TRCEVENTCTL1R controls how the events selected by TRCEVENTCTL0R behave

Table 282.
TRCEVENTCTL1R
Register

| Bits | Description | Type | Reset |
|-------|---|------|-------|
| 31:13 | Reserved. | - | - |
| 12 | LPOVERRIDE : Low power state behavior override | RW | 0x0 |
| 11 | ATB : ATB enabled | RW | 0x0 |
| 10:2 | Reserved. | - | - |
| 1 | INSTEN1 : One bit per event, to enable generation of an event element in the instruction trace stream when the selected event occurs | RW | 0x0 |
| 0 | INSTEN0 : One bit per event, to enable generation of an event element in the instruction trace stream when the selected event occurs | RW | 0x0 |

M33: TRCSTALLCTLR Register

Offset: 0x4102c

Description

The TRCSTALLCTLR enables ETM-Teal to stall the processor if the ETM-Teal FIFO goes over the programmed level to minimize risk of overflow

Table 283.
TRCSTALLCTLR
Register

| Bits | Description | Type | Reset |
|-------|---|------|-------|
| 31:11 | Reserved. | - | - |
| 10 | INSTPRIORITY : Reserved, RES0 | RO | 0x0 |
| 9 | Reserved. | - | - |
| 8 | ISTALL : Stall processor based on instruction trace buffer space | RW | 0x0 |
| 7:4 | Reserved. | - | - |

| Bits | Description | Type | Reset |
|------|--|------|-------|
| 3:2 | LEVEL: Threshold at which stalling becomes active. This provides four levels. This level can be varied to optimize the level of invasion caused by stalling, balanced against the risk of a FIFO overflow | RW | 0x0 |
| 1:0 | Reserved. | - | - |

M33: TRCTSCTLR Register

Offset: 0x41030

Description

The TRCTSCTLR controls the insertion of global timestamps into the trace stream. A timestamp is always inserted into the instruction trace stream

Table 284.
TRCTSCTLR Register

| Bits | Description | Type | Reset |
|------|--|------|-------|
| 31:8 | Reserved. | - | - |
| 7 | TYPE0: Selects the resource type for event 0 | RW | 0x0 |
| 6:2 | Reserved. | - | - |
| 1:0 | SELO: Selects the resource number, based on the value of TYPE0: When TYPE1 is 0, selects a single selected resource from 0-15 defined by SEL0[2:0]. When TYPE1 is 1, selects a Boolean combined resource pair from 0-7 defined by SEL0[2:0] | RW | 0x0 |

M33: TRCSYNCP Register

Offset: 0x41034

Description

The TRCSYNCP specifies the period of trace synchronization of the trace streams. TRCSYNCP defines a number of bytes of trace between requests for trace synchronization. This value is always a power of two

Table 285.
TRCSYNCP Register

| Bits | Description | Type | Reset |
|------|---|------|-------|
| 31:5 | Reserved. | - | - |
| 4:0 | PERIOD: Defines the number of bytes of trace between trace synchronization requests as a total of the number of bytes generated by the instruction stream. The number of bytes is 2N where N is the value of this field: - A value of zero disables these periodic trace synchronization requests, but does not disable other trace synchronization requests. - The minimum value that can be programmed, other than zero, is 8, providing a minimum trace synchronization period of 256 bytes. - The maximum value is 20, providing a maximum trace synchronization period of 2 ²⁰ bytes | RO | 0x0a |

M33: TRCCCCTLR Register

Offset: 0x41038

Description

The TRCCCCTLR sets the threshold value for instruction trace cycle counting. The threshold represents the minimum interval between cycle count trace packets

Table 286.
TRCCCCTLR Register

| Bits | Description | Type | Reset |
|-------|-------------|------|-------|
| 31:12 | Reserved. | - | - |

| Bits | Description | Type | Reset |
|------|---|------|-------|
| 11:0 | THRESHOLD: Instruction trace cycle count threshold | RW | 0x000 |

M33: TRCVICTLR Register

Offset: 0x41080

Description

The TRCVICTLR controls instruction trace filtering

Table 287. TRCVICTLR Register

| Bits | Description | Type | Reset |
|-------|--|------|-------|
| 31:20 | Reserved. | - | - |
| 19 | EXLEVEL_S3: In Secure state, each bit controls whether instruction tracing is enabled for the corresponding exception level | RW | 0x0 |
| 18:17 | Reserved. | - | - |
| 16 | EXLEVEL_S0: In Secure state, each bit controls whether instruction tracing is enabled for the corresponding exception level | RW | 0x0 |
| 15:12 | Reserved. | - | - |
| 11 | TRCERR: Selects whether a system error exception must always be traced | RW | 0x0 |
| 10 | TRCRESET: Selects whether a reset exception must always be traced | RW | 0x0 |
| 9 | SSSTATUS: Indicates the current status of the start/stop logic | RW | 0x0 |
| 8 | Reserved. | - | - |
| 7 | TYPE0: Selects the resource type for event 0 | RW | 0x0 |
| 6:2 | Reserved. | - | - |
| 1:0 | SELO: Selects the resource number, based on the value of TYPE0: When TYPE1 is 0, selects a single selected resource from 0-15 defined by SELO[2:0]. When TYPE1 is 1, selects a Boolean combined resource pair from 0-7 defined by SELO[2:0] | RW | 0x0 |

M33: TRCCNTRLDVRO Register

Offset: 0x41140

Description

The TRCCNTRLDVR defines the reload value for the reduced function counter

Table 288. TRCCNTRLDVRO Register

| Bits | Description | Type | Reset |
|-------|---|------|--------|
| 31:16 | Reserved. | - | - |
| 15:0 | VALUE: Defines the reload value for the counter. This value is loaded into the counter each time the reload event occurs | RW | 0x0000 |

M33: TRCIDR8 Register

Offset: 0x41180

Description

TRCIDR8

Table 289. TRCIDR8 Register

| Bits | Description | Type | Reset |
|------|-----------------------------------|------|------------|
| 31:0 | MAXSPEC : reads as `ImpDef | RO | 0x00000000 |

M33: TRCIDR9 Register

Offset: 0x41184

Description

TRCIDR9

Table 290. TRCIDR9 Register

| Bits | Description | Type | Reset |
|------|------------------------------------|------|------------|
| 31:0 | NUMPOKEY : reads as `ImpDef | RO | 0x00000000 |

M33: TRCIDR10 Register

Offset: 0x41188

Description

TRCIDR10

Table 291. TRCIDR10 Register

| Bits | Description | Type | Reset |
|------|------------------------------------|------|------------|
| 31:0 | NUMP1KEY : reads as `ImpDef | RO | 0x00000000 |

M33: TRCIDR11 Register

Offset: 0x4118c

Description

TRCIDR11

Table 292. TRCIDR11 Register

| Bits | Description | Type | Reset |
|------|------------------------------------|------|------------|
| 31:0 | NUMP1SPC : reads as `ImpDef | RO | 0x00000000 |

M33: TRCIDR12 Register

Offset: 0x41190

Description

TRCIDR12

Table 293. TRCIDR12 Register

| Bits | Description | Type | Reset |
|------|--------------------------------------|------|------------|
| 31:0 | NUMCONDKEY : reads as `ImpDef | RO | 0x00000001 |

M33: TRCIDR13 Register

Offset: 0x41194

Description

TRCIDR13

Table 294. TRCIDR13 Register

| Bits | Description | Type | Reset |
|------|--------------------------------------|------|------------|
| 31:0 | NUMCONDSPC : reads as `ImpDef | RO | 0x00000000 |

M33: TRCIMSPEC Register

Offset: 0x411c0

Description

The TRCIMSPEC shows the presence of any IMPLEMENTATION SPECIFIC features, and enables any features that are provided

Table 295. TRCIMSPEC Register

| Bits | Description | Type | Reset |
|------|---------------------------------|------|-------|
| 31:4 | Reserved. | - | - |
| 3:0 | SUPPORT : Reserved, RES0 | RO | 0x0 |

M33: TRCIDR0 Register

Offset: 0x411e0

Description

TRCIDR0

Table 296. TRCIDR0 Register

| Bits | Description | Type | Reset |
|-------|-------------------------------------|------|-------|
| 31:30 | Reserved. | - | - |
| 29 | COMMOPT : reads as `ImpDef | RO | 0x1 |
| 28:24 | TSSIZE : reads as `ImpDef | RO | 0x08 |
| 23:18 | Reserved. | - | - |
| 17 | TRCEXDATA : reads as `ImpDef | RO | 0x0 |
| 16:15 | QSUPP : reads as `ImpDef | RO | 0x0 |
| 14 | QFILT : reads as `ImpDef | RO | 0x0 |
| 13:12 | CONDTYPE : reads as `ImpDef | RO | 0x0 |
| 11:10 | NUMEVENT : reads as `ImpDef | RO | 0x1 |
| 9 | RETSTACK : reads as `ImpDef | RO | 0x1 |
| 8 | Reserved. | - | - |
| 7 | TRCCCI : reads as `ImpDef | RO | 0x1 |
| 6 | TRCCOND : reads as `ImpDef | RO | 0x1 |
| 5 | TRCBB : reads as `ImpDef | RO | 0x1 |
| 4:3 | TRCDATA : reads as `ImpDef | RO | 0x0 |
| 2:1 | INSTP0 : reads as `ImpDef | RO | 0x0 |
| 0 | RES1 : Reserved, RES1 | RO | 0x1 |

M33: TRCIDR1 Register

Offset: 0x411e4

Description

TRCIDR1

Table 297. TRCIDR1 Register

| Bits | Description | Type | Reset |
|-------|-------------------------------------|------|-------|
| 31:24 | DESIGNER : reads as `ImpDef | RO | 0x41 |
| 23:16 | Reserved. | - | - |
| 15:12 | RES1 : Reserved, RES1 | RO | 0xf |
| 11:8 | TRCARCHMAJ : reads as 0b0100 | RO | 0x4 |
| 7:4 | TRCARCHMIN : reads as 0b0000 | RO | 0x2 |
| 3:0 | REVISION : reads as `ImpDef | RO | 0x1 |

M33: TRCIDR2 Register

Offset: 0x411e8

Description

TRCIDR2

Table 298. TRCIDR2 Register

| Bits | Description | Type | Reset |
|-------|------------------------------------|------|-------|
| 31:29 | Reserved. | - | - |
| 28:25 | CCSIZE : reads as `ImpDef | RO | 0x0 |
| 24:20 | DVSIZE : reads as `ImpDef | RO | 0x00 |
| 19:15 | DASIZE : reads as `ImpDef | RO | 0x00 |
| 14:10 | VMIDSIZE : reads as `ImpDef | RO | 0x00 |
| 9:5 | CIDSIZE : reads as `ImpDef | RO | 0x00 |
| 4:0 | IASIZE : reads as `ImpDef | RO | 0x04 |

M33: TRCIDR3 Register

Offset: 0x411ec

Description

TRCIDR3

Table 299. TRCIDR3 Register

| Bits | Description | Type | Reset |
|-------|--------------------------------------|------|-------|
| 31 | NOOVERFLOW : reads as `ImpDef | RO | 0x0 |
| 30:28 | NUMPROC : reads as `ImpDef | RO | 0x0 |
| 27 | SYSSTALL : reads as `ImpDef | RO | 0x1 |
| 26 | STALLCTL : reads as `ImpDef | RO | 0x1 |
| 25 | SYNCPR : reads as `ImpDef | RO | 0x1 |
| 24 | TRCERR : reads as `ImpDef | RO | 0x1 |
| 23:20 | EXLEVEL_NS : reads as `ImpDef | RO | 0x0 |
| 19:16 | EXLEVEL_S : reads as `ImpDef | RO | 0x9 |
| 15:12 | Reserved. | - | - |
| 11:0 | CCITMIN : reads as `ImpDef | RO | 0x004 |

M33: TRCIDR4 Register

Offset: 0x411f0

Description

TRCIDR4

Table 300. TRCIDR4 Register

| Bits | Description | Type | Reset |
|-------|-------------------------------------|------|-------|
| 31:28 | NUMVMIDC: reads as `ImpDef | RO | 0x0 |
| 27:24 | NUMCIDC: reads as `ImpDef | RO | 0x0 |
| 23:20 | NUMSSCC: reads as `ImpDef | RO | 0x1 |
| 19:16 | NUMRSPAIR: reads as `ImpDef | RO | 0x1 |
| 15:12 | NUMPC: reads as `ImpDef | RO | 0x4 |
| 11:9 | Reserved. | - | - |
| 8 | SUPPDAC: reads as `ImpDef | RO | 0x0 |
| 7:4 | NUMDVC: reads as `ImpDef | RO | 0x0 |
| 3:0 | NUMACPAIRS: reads as `ImpDef | RO | 0x0 |

M33: TRCIDR5 Register

Offset: 0x411f4

Description

TRCIDR5

Table 301. TRCIDR5 Register

| Bits | Description | Type | Reset |
|-------|--------------------------------------|------|-------|
| 31 | REDFUNCNTR: reads as `ImpDef | RO | 0x1 |
| 30:28 | NUMCNTR: reads as `ImpDef | RO | 0x1 |
| 27:25 | NUMSEQSTATE: reads as `ImpDef | RO | 0x0 |
| 24 | Reserved. | - | - |
| 23 | LPOVERRIDE: reads as `ImpDef | RO | 0x1 |
| 22 | ATBTRIG: reads as `ImpDef | RO | 0x1 |
| 21:16 | TRACEIDSIZE: reads as 0x07 | RO | 0x07 |
| 15:12 | Reserved. | - | - |
| 11:9 | NUMEXTINSEL: reads as `ImpDef | RO | 0x0 |
| 8:0 | NUMEXTIN: reads as `ImpDef | RO | 0x004 |

M33: TRCIDR6 Register

Offset: 0x411f8

Description

TRCIDR6

Table 302. TRCIDR6 Register

| Bits | Description | Type | Reset |
|------|-------------|------|-------|
| 31:0 | Reserved. | - | - |

M33: TRCIDR7 Register

Offset: 0x411fc

Description

TRCIDR7

Table 303. TRCIDR7 Register

| Bits | Description | Type | Reset |
|------|-------------|------|-------|
| 31:0 | Reserved. | - | - |

M33: TRCRSCTLR2 Register

Offset: 0x41208

Description

The TRCRSCTLR controls the trace resources

Table 304. TRCRSCTLR2 Register

| Bits | Description | Type | Reset |
|-------|--|------|-------|
| 31:22 | Reserved. | - | - |
| 21 | PAIRINV : Inverts the result of a combined pair of resources. This bit is only implemented on the lower register for a pair of resource selectors | RW | 0x0 |
| 20 | INV : Inverts the selected resources | RW | 0x0 |
| 19 | Reserved. | - | - |
| 18:16 | GROUP : Selects a group of resource | RW | 0x0 |
| 15:8 | Reserved. | - | - |
| 7:0 | SELECT : Selects one or more resources from the wanted group. One bit is provided per resource from the group | RW | 0x00 |

M33: TRCRSCTLR3 Register

Offset: 0x4120c

Description

The TRCRSCTLR controls the trace resources

Table 305. TRCRSCTLR3 Register

| Bits | Description | Type | Reset |
|-------|--|------|-------|
| 31:22 | Reserved. | - | - |
| 21 | PAIRINV : Inverts the result of a combined pair of resources. This bit is only implemented on the lower register for a pair of resource selectors | RW | 0x0 |
| 20 | INV : Inverts the selected resources | RW | 0x0 |
| 19 | Reserved. | - | - |
| 18:16 | GROUP : Selects a group of resource | RW | 0x0 |
| 15:8 | Reserved. | - | - |

| Bits | Description | Type | Reset |
|------|--|------|-------|
| 7:0 | SELECT : Selects one or more resources from the wanted group. One bit is provided per resource from the group | RW | 0x00 |

M33: TRCSSCSR Register

Offset: 0x412a0

Description

Controls the corresponding single-shot comparator resource

Table 306. TRCSSCSR Register

| Bits | Description | Type | Reset |
|------|--|------|-------|
| 31 | STATUS : Single-shot status bit. Indicates if any of the comparators, that TRCSSCCRN.SAC or TRCSSCCRN.ARC selects, have matched | RW | 0x0 |
| 30:4 | Reserved. | - | - |
| 3 | PC : Reserved, RES1 | RO | 0x0 |
| 2 | DV : Reserved, RES0 | RO | 0x0 |
| 1 | DA : Reserved, RES0 | RO | 0x0 |
| 0 | INST : Reserved, RES0 | RO | 0x0 |

M33: TRCSSPCICR Register

Offset: 0x412c0

Description

Selects the PE comparator inputs for Single-shot control

Table 307. TRCSSPCICR Register

| Bits | Description | Type | Reset |
|------|--|------|-------|
| 31:4 | Reserved. | - | - |
| 3:0 | PC : Selects one or more PE comparator inputs for Single-shot control. TRCIDR4.NUMPC defines the size of the PC field. 1 bit is provided for each implemented PE comparator input. For example, if bit[1] == 1 this selects PE comparator input 1 for Single-shot control | RW | 0x0 |

M33: TRCPDCR Register

Offset: 0x41310

Description

Requests the system to provide power to the trace unit

Table 308. TRCPDCR Register

| Bits | Description | Type | Reset |
|------|----------------------------------|------|-------|
| 31:4 | Reserved. | - | - |
| 3 | PU : Powerup request bit: | RW | 0x0 |
| 2:0 | Reserved. | - | - |

M33: TRCPDSR Register

Offset: 0x41314

Description

Returns the following information about the trace unit: - OS Lock status. - Core power domain status. - Power interruption status

Table 309. TRCPDSR Register

| Bits | Description | Type | Reset |
|------|---|------|-------|
| 31:6 | Reserved. | - | - |
| 5 | OSLK : OS Lock status bit: | RO | 0x0 |
| 4:2 | Reserved. | - | - |
| 1 | STICKYPD : Sticky powerdown status bit. Indicates whether the trace register state is valid: | RO | 0x1 |
| 0 | POWER : Power status bit: | RO | 0x1 |

M33: TRCITATBIDR Register

Offset: 0x41ee4

Description

Trace Intergration ATB Identification Register

Table 310. TRCITATBIDR Register

| Bits | Description | Type | Reset |
|------|----------------------|------|-------|
| 31:7 | Reserved. | - | - |
| 6:0 | ID : Trace ID | RW | 0x00 |

M33: TRCITIATBINR Register

Offset: 0x41ef4

Description

Trace Integration Instruction ATB In Register

Table 311. TRCITIATBINR Register

| Bits | Description | Type | Reset |
|------|--|------|-------|
| 31:2 | Reserved. | - | - |
| 1 | AFVALIDM : Integration Mode instruction AFVALIDM in | RW | 0x0 |
| 0 | ATREADYM : Integration Mode instruction ATREADYM in | RW | 0x0 |

M33: TRCITIATBOUTr Register

Offset: 0x41efc

Description

Trace Integration Instruction ATB Out Register

Table 312. TRCITIATBOUTr Register

| Bits | Description | Type | Reset |
|------|---|------|-------|
| 31:2 | Reserved. | - | - |
| 1 | AFREADY : Integration Mode instruction AFREADY out | RW | 0x0 |
| 0 | ATVALID : Integration Mode instruction ATVALID out | RW | 0x0 |

M33: TRCCLAIMSET Register

Offset: 0x41fa0

Description

Claim Tag Set Register

Table 313.
TRCLAIMSET
Register

| Bits | Description | Type | Reset |
|------|---|------|-------|
| 31:4 | Reserved. | - | - |
| 3 | SET3 : When a write to one of these bits occurs, with the value: | RW | 0x1 |
| 2 | SET2 : When a write to one of these bits occurs, with the value: | RW | 0x1 |
| 1 | SET1 : When a write to one of these bits occurs, with the value: | RW | 0x1 |
| 0 | SET0 : When a write to one of these bits occurs, with the value: | RW | 0x1 |

M33: TRCLAIMCLR Register

Offset: 0x41fa4

Description

Claim Tag Clear Register

Table 314.
TRCLAIMCLR
Register

| Bits | Description | Type | Reset |
|------|---|------|-------|
| 31:4 | Reserved. | - | - |
| 3 | CLR3 : When a write to one of these bits occurs, with the value: | RW | 0x0 |
| 2 | CLR2 : When a write to one of these bits occurs, with the value: | RW | 0x0 |
| 1 | CLR1 : When a write to one of these bits occurs, with the value: | RW | 0x0 |
| 0 | CLR0 : When a write to one of these bits occurs, with the value: | RW | 0x0 |

M33: TRCAUTHSTATUS Register

Offset: 0x41fb8

Description

Returns the level of tracing that the trace unit can support

Table 315.
TRCAUTHSTATUS
Register

| Bits | Description | Type | Reset |
|------|--|------|-------|
| 31:8 | Reserved. | - | - |
| 7:6 | SNID : Indicates whether the system enables the trace unit to support Secure non-invasive debug: | RO | 0x0 |
| 5:4 | SID : Indicates whether the trace unit supports Secure invasive debug: | RO | 0x0 |
| 3:2 | NSNID : Indicates whether the system enables the trace unit to support Non-secure non-invasive debug: | RO | 0x0 |
| 1:0 | NSID : Indicates whether the trace unit supports Non-secure invasive debug: | RO | 0x0 |

M33: TRCDEVARCH Register

Offset: 0x41fbc

Description

TRCDEVARCH

Table 316.
TRCDEVARCH Register

| Bits | Description | Type | Reset |
|-------|---|------|-------|
| 31:21 | ARCHITECT : reads as 0b01000111011 | RO | 0x23b |

| Bits | Description | Type | Reset |
|-------|---|------|--------|
| 20 | PRESENT : reads as 0b1 | RO | 0x1 |
| 19:16 | REVISION : reads as 0b0000 | RO | 0x2 |
| 15:0 | ARCHID : reads as 0b0100101000010011 | RO | 0x4a13 |

M33: TRCDEVID Register

Offset: 0x41fc8

Description

TRCDEVID

Table 317. TRCDEVID Register

| Bits | Description | Type | Reset |
|------|-------------|------|-------|
| 31:0 | Reserved. | - | - |

M33: TRCDEVTYPE Register

Offset: 0x41fcc

Description

TRCDEVTYPE

Table 318. TRCDEVTYPE Register

| Bits | Description | Type | Reset |
|------|--------------------------------|------|-------|
| 31:8 | Reserved. | - | - |
| 7:4 | SUB : reads as 0b0001 | RO | 0x1 |
| 3:0 | MAJOR : reads as 0b0011 | RO | 0x3 |

M33: TRCPIDR4 Register

Offset: 0x41fd0

Description

TRCPIDR4

Table 319. TRCPIDR4 Register

| Bits | Description | Type | Reset |
|------|---------------------------------|------|-------|
| 31:8 | Reserved. | - | - |
| 7:4 | SIZE : reads as `ImpDef | RO | 0x0 |
| 3:0 | DES_2 : reads as `ImpDef | RO | 0x4 |

M33: TRCPIDR5 Register

Offset: 0x41fd4

Description

TRCPIDR5

Table 320. TRCPIDR5 Register

| Bits | Description | Type | Reset |
|------|-------------|------|-------|
| 31:0 | Reserved. | - | - |

M33: TRCPIDR6 Register

Offset: 0x41fd8

Description

TRCPIDR6

Table 321. TRCPIDR6 Register

| Bits | Description | Type | Reset |
|------|-------------|------|-------|
| 31:0 | Reserved. | - | - |

M33: TRCPIDR7 Register

Offset: 0x41fdc

Description

TRCPIDR7

Table 322. TRCPIDR7 Register

| Bits | Description | Type | Reset |
|------|-------------|------|-------|
| 31:0 | Reserved. | - | - |

M33: TRCPIDR0 Register

Offset: 0x41fe0

Description

TRCPIDR0

Table 323. TRCPIDR0 Register

| Bits | Description | Type | Reset |
|------|----------------------------------|------|-------|
| 31:8 | Reserved. | - | - |
| 7:0 | PART_0 : reads as `ImpDef | RO | 0x21 |

M33: TRCPIDR1 Register

Offset: 0x41fe4

Description

TRCPIDR1

Table 324. TRCPIDR1 Register

| Bits | Description | Type | Reset |
|------|----------------------------------|------|-------|
| 31:8 | Reserved. | - | - |
| 7:4 | DES_0 : reads as `ImpDef | RO | 0xb |
| 3:0 | PART_0 : reads as `ImpDef | RO | 0xd |

M33: TRCPIDR2 Register

Offset: 0x41fe8

Description

TRCPIDR2

Table 325. TRCPIDR2 Register

| Bits | Description | Type | Reset |
|------|-----------------------------------|------|-------|
| 31:8 | Reserved. | - | - |
| 7:4 | REVISION: reads as `ImpDef | RO | 0x2 |
| 3 | JEDEC: reads as 0b1 | RO | 0x1 |
| 2:0 | DES_0: reads as `ImpDef | RO | 0x3 |

M33: TRCPIDR3 Register

Offset: 0x41fec

Description

TRCPIDR3

Table 326. TRCPIDR3 Register

| Bits | Description | Type | Reset |
|------|---------------------------------|------|-------|
| 31:8 | Reserved. | - | - |
| 7:4 | REVAND: reads as `ImpDef | RO | 0x0 |
| 3:0 | CMOD: reads as `ImpDef | RO | 0x0 |

M33: TRCCIDR0 Register

Offset: 0x41ff0

Description

TRCCIDR0

Table 327. TRCCIDR0 Register

| Bits | Description | Type | Reset |
|------|-------------------------------------|------|-------|
| 31:8 | Reserved. | - | - |
| 7:0 | PRMBL_0: reads as 0b00001101 | RO | 0x0d |

M33: TRCCIDR1 Register

Offset: 0x41ff4

Description

TRCCIDR1

Table 328. TRCCIDR1 Register

| Bits | Description | Type | Reset |
|------|---------------------------------|------|-------|
| 31:8 | Reserved. | - | - |
| 7:4 | CLASS: reads as 0b1001 | RO | 0x9 |
| 3:0 | PRMBL_1: reads as 0b0000 | RO | 0x0 |

M33: TRCCIDR2 Register

Offset: 0x41ff8

Description

TRCCIDR2

Table 329. TRCCIDR2 Register

| Bits | Description | Type | Reset |
|------|--------------------------------------|------|-------|
| 31:8 | Reserved. | - | - |
| 7:0 | PRMBL_2 : reads as 0b00000101 | RO | 0x05 |

M33: TRCCIDR3 Register

Offset: 0x41ffc

Description

TRCCIDR3

Table 330. TRCCIDR3 Register

| Bits | Description | Type | Reset |
|------|--------------------------------------|------|-------|
| 31:8 | Reserved. | - | - |
| 7:0 | PRMBL_3 : reads as 0b10110001 | RO | 0xb1 |

M33: CTICONTROL Register

Offset: 0x42000

Description

CTI Control Register

Table 331. CTICONTROL Register

| Bits | Description | Type | Reset |
|------|--|------|-------|
| 31:1 | Reserved. | - | - |
| 0 | GLBEN : Enables or disables the CTI | RW | 0x0 |

M33: CTIINTACK Register

Offset: 0x42010

Description

CTI Interrupt Acknowledge Register

Table 332. CTIINTACK Register

| Bits | Description | Type | Reset |
|------|---|------|-------|
| 31:8 | Reserved. | - | - |
| 7:0 | INTACK : Acknowledges the corresponding ctitrigout output. There is one bit of the register for each ctitrigout output. When a 1 is written to a bit in this register, the corresponding ctitrigout is acknowledged, causing it to be cleared. | RW | 0x00 |

M33: CTIAPPSET Register

Offset: 0x42014

Description

CTI Application Trigger Set Register

Table 333. CTIAPPSET Register

| Bits | Description | Type | Reset |
|------|--|------|-------|
| 31:4 | Reserved. | - | - |
| 3:0 | APPSET : Setting a bit HIGH generates a channel event for the selected channel. There is one bit of the register for each channel | RW | 0x0 |

M33: CTIAPPCLEAR Register

Offset: 0x42018

Description

CTI Application Trigger Clear Register

Table 334. CTIAPPCLEAR Register

| Bits | Description | Type | Reset |
|------|---|------|-------|
| 31:4 | Reserved. | - | - |
| 3:0 | APPCLEAR : Sets the corresponding bits in the CTIAPPSET to 0. There is one bit of the register for each channel. | RW | 0x0 |

M33: CTIAPPPULSE Register

Offset: 0x4201c

Description

CTI Application Pulse Register

Table 335. CTIAPPPULSE Register

| Bits | Description | Type | Reset |
|------|--|------|-------|
| 31:4 | Reserved. | - | - |
| 3:0 | APPULSE : Setting a bit HIGH generates a channel event pulse for the selected channel. There is one bit of the register for each channel. | RW | 0x0 |

M33: CTIINEN0, CTIINEN1, ..., CTIINEN6, CTIINEN7 Registers

Offsets: 0x42020, 0x42024, ..., 0x42038, 0x4203c

Description

CTI Trigger to Channel Enable Registers

Table 336. CTIINEN0, CTIINEN1, ..., CTIINEN6, CTIINEN7 Registers

| Bits | Description | Type | Reset |
|------|---|------|-------|
| 31:4 | Reserved. | - | - |
| 3:0 | TRIGINEN : Enables a cross trigger event to the corresponding channel when a ctitrigin input is activated. There is one bit of the field for each of the four channels | RW | 0x0 |

M33: CTIOUTEN0, CTIOUTEN1, ..., CTIOUTEN6, CTIOUTEN7 Registers

Offsets: 0x420a0, 0x420a4, ..., 0x420b8, 0x420bc

Description

CTI Trigger to Channel Enable Registers

Table 337. CTIOUTEN0, CTIOUTEN1, ..., CTIOUTEN6, CTIOUTEN7 Registers

| Bits | Description | Type | Reset |
|------|-------------|------|-------|
| 31:4 | Reserved. | - | - |

| Bits | Description | Type | Reset |
|------|--|------|-------|
| 3:0 | TRIGOUTEN : Enables a cross trigger event to ctitrigout when the corresponding channel is activated. There is one bit of the field for each of the four channels. | RW | 0x0 |

M33: CTITRIGINSTATUS Register

Offset: 0x42130

Description

CTI Trigger to Channel Enable Registers

Table 338.
CTITRIGINSTATUS
Register

| Bits | Description | Type | Reset |
|------|---|------|-------|
| 31:8 | Reserved. | - | - |
| 7:0 | TRIGINSTATUS : Shows the status of the ctitrigin inputs. There is one bit of the field for each trigger input. Because the register provides a view of the raw ctitrigin inputs, the reset value is UNKNOWN. | RO | 0x00 |

M33: CTITRIGOUTSTATUS Register

Offset: 0x42134

Description

CTI Trigger In Status Register

Table 339.
CTITRIGOUTSTATUS
Register

| Bits | Description | Type | Reset |
|------|---|------|-------|
| 31:8 | Reserved. | - | - |
| 7:0 | TRIGOUTSTATUS : Shows the status of the ctitrigout outputs. There is one bit of the field for each trigger output. | RO | 0x00 |

M33: CTICHINSTATUS Register

Offset: 0x42138

Description

CTI Channel In Status Register

Table 340.
CTICHINSTATUS
Register

| Bits | Description | Type | Reset |
|------|---|------|-------|
| 31:4 | Reserved. | - | - |
| 3:0 | CTICHOUTSTATUS : Shows the status of the ctichout outputs. There is one bit of the field for each channel output | RO | 0x0 |

M33: CTIGATE Register

Offset: 0x42140

Description

Enable CTI Channel Gate register

Table 341. CTIGATE
Register

| Bits | Description | Type | Reset |
|------|--|------|-------|
| 31:4 | Reserved. | - | - |
| 3 | CTIGATEEN3 : Enable ctichout3. Set to 0 to disable channel propagation. | RW | 0x1 |
| 2 | CTIGATEEN2 : Enable ctichout2. Set to 0 to disable channel propagation. | RW | 0x1 |

| Bits | Description | Type | Reset |
|------|--|------|-------|
| 1 | CTIGATEEN1 : Enable ctichout1. Set to 0 to disable channel propagation. | RW | 0x1 |
| 0 | CTIGATEEN0 : Enable ctichout0. Set to 0 to disable channel propagation. | RW | 0x1 |

M33: ASICCTL Register

Offset: 0x42144

Description

External Multiplexer Control register

Table 342. ASICCTL Register

| Bits | Description | Type | Reset |
|------|-------------|------|-------|
| 31:0 | Reserved. | - | - |

M33: ITCHOUT Register

Offset: 0x42ee4

Description

Integration Test Channel Output register

Table 343. ITCHOUT Register

| Bits | Description | Type | Reset |
|------|---|------|-------|
| 31:4 | Reserved. | - | - |
| 3:0 | CTCHOUT : Sets the value of the ctichout outputs | RW | 0x0 |

M33: ITTRIGOUT Register

Offset: 0x42ee8

Description

Integration Test Trigger Output register

Table 344. ITTRIGOUT Register

| Bits | Description | Type | Reset |
|------|---|------|-------|
| 31:8 | Reserved. | - | - |
| 7:0 | CTTRIGOUT : Sets the value of the ctitrigout outputs | RW | 0x00 |

M33: ITCHIN Register

Offset: 0x42ef4

Description

Integration Test Channel Input register

Table 345. ITCHIN Register

| Bits | Description | Type | Reset |
|------|--|------|-------|
| 31:4 | Reserved. | - | - |
| 3:0 | CTCHIN : Reads the value of the ctichin inputs. | RO | 0x0 |

M33: ITCTRL Register

Offset: 0x42f00

Description

Integration Mode Control register

Table 346. ITCTRL Register

| Bits | Description | Type | Reset |
|------|--------------------------------------|------|-------|
| 31:1 | Reserved. | - | - |
| 0 | IME : Integration Mode Enable | RW | 0x0 |

M33: DEVARCH Register

Offset: 0x42fbc

Description

Device Architecture register

Table 347. DEVARCH Register

| Bits | Description | Type | Reset |
|-------|--|------|--------|
| 31:21 | ARCHITECT : Indicates the component architect | RO | 0x23b |
| 20 | PRESENT : Indicates whether the DEVARCH register is present | RO | 0x1 |
| 19:16 | REVISION : Indicates the architecture revision | RO | 0x0 |
| 15:0 | ARCHID : Indicates the component | RO | 0x1a14 |

M33: DEVID Register

Offset: 0x42fc8

Description

Device Configuration register

Table 348. DEVID Register

| Bits | Description | Type | Reset |
|-------|--|------|-------|
| 31:20 | Reserved. | - | - |
| 19:16 | NUMCH : Number of ECT channels available | RO | 0x4 |
| 15:8 | NUMTRIG : Number of ECT triggers available. | RO | 0x08 |
| 7:5 | Reserved. | - | - |
| 4:0 | EXTMUXNUM : Indicates the number of multiplexers available on Trigger Inputs and Trigger Outputs that are using asicctl. The default value of 0b00000 indicates that no multiplexing is present. This value of this bit depends on the Verilog define EXTMUXNUM that you must change accordingly. | RO | 0x00 |

M33: DEVTYPE Register

Offset: 0x42fcc

Description

Device Type Identifier register

Table 349. DEVTYPE Register

| Bits | Description | Type | Reset |
|------|--|------|-------|
| 31:8 | Reserved. | - | - |
| 7:4 | SUB : Sub-classification of the type of the debug component as specified in the ARM Architecture Specification within the major classification as specified in the MAJOR field. | RO | 0x1 |
| 3:0 | MAJOR : Major classification of the type of the debug component as specified in the ARM Architecture Specification for this debug and trace component. | RO | 0x4 |

M33: PIDR4 Register

Offset: 0x42fd0

Description

CoreSight Periperal ID4

Table 350. PIDR4 Register

| Bits | Description | Type | Reset |
|------|---|------|-------|
| 31:8 | Reserved. | - | - |
| 7:4 | SIZE: Always 0b0000. Indicates that the device only occupies 4KB of memory | RO | 0x0 |
| 3:0 | DES_2: Together, PIDR1.DES_0, PIDR2.DES_1, and PIDR4.DES_2 identify the designer of the component. | RO | 0x4 |

M33: PIDR5 Register

Offset: 0x42fd4

Description

CoreSight Periperal ID5

Table 351. PIDR5 Register

| Bits | Description | Type | Reset |
|------|-------------|------|-------|
| 31:0 | Reserved. | - | - |

M33: PIDR6 Register

Offset: 0x42fd8

Description

CoreSight Periperal ID6

Table 352. PIDR6 Register

| Bits | Description | Type | Reset |
|------|-------------|------|-------|
| 31:0 | Reserved. | - | - |

M33: PIDR7 Register

Offset: 0x42fdc

Description

CoreSight Periperal ID7

Table 353. PIDR7 Register

| Bits | Description | Type | Reset |
|------|-------------|------|-------|
| 31:0 | Reserved. | - | - |

M33: PIDR0 Register

Offset: 0x42fe0

Description

CoreSight Periperal ID0

Table 354. PIDR0 Register

| Bits | Description | Type | Reset |
|------|-------------|------|-------|
| 31:8 | Reserved. | - | - |

| Bits | Description | Type | Reset |
|------|---|------|-------|
| 7:0 | PART_0 : Bits[7:0] of the 12-bit part number of the component. The designer of the component assigns this part number. | RO | 0x21 |

M33: PIDR1 Register

Offset: 0x42fe4

Description

CoreSight Periperal ID1

Table 355. PIDR1 Register

| Bits | Description | Type | Reset |
|------|--|------|-------|
| 31:8 | Reserved. | - | - |
| 7:4 | DES_0 : Together, PIDR1.DES_0, PIDR2.DES_1, and PIDR4.DES_2 identify the designer of the component. | RO | 0xb |
| 3:0 | PART_1 : Bits[11:8] of the 12-bit part number of the component. The designer of the component assigns this part number. | RO | 0xd |

M33: PIDR2 Register

Offset: 0x42fe8

Description

CoreSight Periperal ID2

Table 356. PIDR2 Register

| Bits | Description | Type | Reset |
|------|--|------|-------|
| 31:8 | Reserved. | - | - |
| 7:4 | REVISION : This device is at r1p0 | RO | 0x0 |
| 3 | JEDEC : Always 1. Indicates that the JEDEC-assigned designer ID is used. | RO | 0x1 |
| 2:0 | DES_1 : Together, PIDR1.DES_0, PIDR2.DES_1, and PIDR4.DES_2 identify the designer of the component. | RO | 0x3 |

M33: PIDR3 Register

Offset: 0x42fec

Description

CoreSight Periperal ID3

Table 357. PIDR3 Register

| Bits | Description | Type | Reset |
|------|--|------|-------|
| 31:8 | Reserved. | - | - |
| 7:4 | REVAND : Indicates minor errata fixes specific to the revision of the component being used, for example metal fixes after implementation. In most cases, this field is 0b0000. ARM recommends that the component designers ensure that a metal fix can change this field if required, for example, by driving it from registers that reset to 0b0000. | RO | 0x0 |
| 3:0 | CMOD : Customer Modified. Indicates whether the customer has modified the behavior of the component. In most cases, this field is 0b0000. Customers change this value when they make authorized modifications to this component. | RO | 0x0 |

M33: CIDR0 Register

Offset: 0x42ff0

Description

CoreSight Component ID0

Table 358. CIDR0 Register

| Bits | Description | Type | Reset |
|------|--|------|-------|
| 31:8 | Reserved. | - | - |
| 7:0 | PRMBL_0: Preamble[0]. Contains bits[7:0] of the component identification code | RO | 0x0d |

M33: CIDR1 Register

Offset: 0x42ff4

Description

CoreSight Component ID1

Table 359. CIDR1 Register

| Bits | Description | Type | Reset |
|------|--|------|-------|
| 31:8 | Reserved. | - | - |
| 7:4 | CLASS: Class of the component, for example, whether the component is a ROM table or a generic CoreSight component. Contains bits[15:12] of the component identification code. | RO | 0x9 |
| 3:0 | PRMBL_1: Preamble[1]. Contains bits[11:8] of the component identification code. | RO | 0x0 |

M33: CIDR2 Register

Offset: 0x42ff8

Description

CoreSight Component ID2

Table 360. CIDR2 Register

| Bits | Description | Type | Reset |
|------|---|------|-------|
| 31:8 | Reserved. | - | - |
| 7:0 | PRMBL_2: Preamble[2]. Contains bits[23:16] of the component identification code. | RO | 0x05 |

M33: CIDR3 Register

Offset: 0x42ffc

Description

CoreSight Component ID3

Table 361. CIDR3 Register

| Bits | Description | Type | Reset |
|------|---|------|-------|
| 31:8 | Reserved. | - | - |
| 7:0 | PRMBL_3: Preamble[3]. Contains bits[31:24] of the component identification code. | RO | 0xb1 |

3.7.5.1. Cortex-M33 EPPB registers

The EPPB (Extended Private Peripheral Bus) contains registers implemented by Raspberry Pi and integrated into the Cortex-M33 PPB to provide per-processor controls for certain RP2350 features. There is one copy of these registers per

core (they are core-local), and they reset on a warm reset of the core.

These registers start at a base address of `0xe0080000`, defined as `EPPB_BASE` in the SDK.

Table 362. List of M33_EPPB registers

| Offset | Name | Info |
|--------|---------------------------|--|
| 0x0 | NMI_MASK0 | NMI mask for IRQs 0 through 31. This register is core-local, and is reset by a processor warm reset. |
| 0x4 | NMI_MASK1 | NMI mask for IRQs 0 though 51. This register is core-local, and is reset by a processor warm reset. |
| 0x8 | SLEEPCTRL | Nonstandard sleep control register |

M33_EPPB: NMI_MASK0 Register

Offset: 0x0

Table 363. NMI_MASK0 Register

| Bits | Description | Type | Reset |
|------|--|------|------------|
| 31:0 | NMI mask for IRQs 0 through 31. This register is core-local, and is reset by a processor warm reset. | RW | 0x00000000 |

M33_EPPB: NMI_MASK1 Register

Offset: 0x4

Table 364. NMI_MASK1 Register

| Bits | Description | Type | Reset |
|-------|---|------|---------|
| 31:20 | Reserved. | - | - |
| 19:0 | NMI mask for IRQs 0 though 51. This register is core-local, and is reset by a processor warm reset. | RW | 0x00000 |

M33_EPPB: SLEEPCTRL Register

Offset: 0x8

Description

Nonstandard sleep control register

Table 365. SLEEPCTRL Register

| Bits | Description | Type | Reset |
|------|---|------|-------|
| 31:3 | Reserved. | - | - |
| 2 | WICENACK : Status signal from the processor’s interrupt controller. Changes to WICENREQ are eventually reflected in WICENACK. | RO | 0x0 |
| 1 | WICENREQ : Request that the next processor deep sleep is a WIC sleep. After setting this bit, before sleeping, poll WICENACK to ensure the processor interrupt controller has acknowledged the change. | RW | 0x1 |
| 0 | LIGHT_SLEEP : By default, any processor sleep will deassert the system-level clock request. Reenabling the clocks incurs 5 cycles of additional latency on wakeup. Setting LIGHT_SLEEP to 1 keeps the clock request asserted during a normal sleep (Arm SCR.SLEEPDEEP = 0), for faster wakeup. Processor deep sleep (Arm SCR.SLEEPDEEP = 1) is not affected, and will always deassert the system-level clock request. | RW | 0x0 |

3.8. Hazard3 processor

Hazard3 is a low-area, high-performance RISC-V processor with a 3-stage in-order pipeline. RP2350 configures the following standard RISC-V extensions:

- **RV32I**: 32-bit base instruction set
- **M**: Integer multiply/divide/modulo instructions
- **A**: Atomic memory operations
- **C**: Compressed 16-bit instructions (equivalently spelled **Zca**)
- **Zba**: Address generation instructions
- **Zbb**: Basic bit manipulation instructions
- **Zbs**: Single-bit manipulation instructions
- **Zbkb**: Basic bit manipulation for scalar cryptography
- **Zcb**: Basic additional compressed instructions
- **Zcmp**: Push/pop and double-move compressed instructions
- **Zicsr**: CSR access instructions
- Debug, Machine and User execution modes
- Physical Memory Protection unit (PMP) with eight regions, 32-byte granule, NAPOT
- External debug support with four instruction address triggers

Additionally, RP2350 enables the following Hazard3 custom extensions:

- **Xh3power**: Power management instructions and CSRs
- **Xh3bextm**: Bit-extract-multiple instruction (used in bootrom)
- **Xh3irq**: Local interrupt controller with nested, prioritised IRQ support
- **Xh3pmpm**: Unlocked M-mode PMP regions

Hazard3 Source Code

All hardware source files for Hazard3 are available under Apache 2.0 licensing at:

github.com/wren6991/hazard3

3.8.1. Instruction set reference

This section is a programmer's reference guide for the instructions supported by Hazard3. It covers basic assembly syntax, instruction behaviour, ranges for immediate values, and conditions for instruction compression. [The index](#) lists instructions alphabetically, including pseudo-instructions.

The pseudocode in this guide is informative only, and is no replacement for the official RISC-V specifications in [Section 3.8.1.1](#). However, it should prove a useful mnemonic aid once you have read the specifications.

3.8.1.1. Links to RISC-V specifications

This table links ratified versions of the base instruction set and extensions implemented by Hazard3. These are the authoritative reference for the instructions documented in this reference guide.

| Extension | Specification |
|-------------------------------|--|
| RV32I v2.1 | Unprivileged ISA 20191213 |
| M v2.0 | Unprivileged ISA 20191213 |
| A v2.1 | Unprivileged ISA 20191213 |
| C v2.0 | Unprivileged ISA 20191213 |
| Zicsr v2.0 | Unprivileged ISA 20191213 |
| Zifencei v2.0 | Unprivileged ISA 20191213 |
| Zba v1.0.0 | Bit Manipulation ISA extensions 20210628 |
| Zbb v1.0.0 | Bit Manipulation ISA extensions 20210628 |
| Zbs v1.0.0 | Bit Manipulation ISA extensions 20210628 |
| Zbkb v1.0.1 | Scalar Cryptography ISA extensions 20220218 |
| Zcb v1.0.3-1 | Code Size Reduction extensions frozen v1.0.3-1 |
| Zcmp v1.0.3-1 | Code Size Reduction extensions frozen v1.0.3-1 |
| Machine ISA v1.12 | Privileged Architecture 20211203 |
| Debug v0.13.2 | RISC-V External Debug Support 20190322 |

You may also refer to the [RISC-V Assembly Programmer's Manual](#) for information on assembly syntax.

Consult the [source code](#) for detailed questions about implementation-defined behaviour, which is not covered by the RISC-V specifications. RP2350 uses version [86fc4e3](#), with metal ECOs for commits [2f6e983](#) and [af08c0b](#).

3.8.1.2. Architecture strings

`-march` strings completely specify the set of available RISC-V instructions, so that a compiler can generate correct and optimal code for your device. Use the following in descending order of preference:

1. Use `rv32ima_zicsr_zifencei_zba_zbb_zbs_zbkb_zca_zcb_zcmp` for compilers which support the `Zcb` and `Zcmp` extensions, such as GCC 14.
2. Use `rv32ima_zicsr_zifencei_zba_zbb_zbs_zbkb_zca_zcb` for GCC 14 packaged with an older assembler which does not support `Zcmp`.
3. Use `rv32imac_zicsr_zifencei_zba_zbb_zbs_zbkb` for older compilers, such as GCC 13 and below.

3.8.1.3. RISC-V architectural state

The mutable state visible to the programmer consists of:

- The 31 × 32-bit integer general-purpose registers (GPRs), named `x1` through `x31`
- The program counter `pc`, which points to the beginning of the current instruction in memory
- The control and status registers (CSRs), which configure processor behaviour and are used in trap handling
- The local monitor bit, which helps maintain correctness of atomic read-modify-write sequences
- The current privilege level, which determines which memory locations the core can access, which CSRs it can access, and which instructions it can execute

Hazard3 supports two privilege levels: Machine and User. These are interchangeably referred to as **modes**, and are commonly abbreviated as M-mode and U-mode. Debug mode behaves as an additional privilege level above M-mode.

The 0th general-purpose register, `x0`, is hardwired to zero and ignores writes.

There is no flags register; branch instructions perform GPR-to-GPR comparisons directly.

This state is duplicated per hardware thread, or **hart**. RP2350 implements two Hazard3 cores, each with one hart.

3.8.1.3.1. Register conventions

The following ABI names are synonymous with `x0` through `x31`:

| Register | ABI Name | Description |
|------------------------|-----------------------|--------------------------------------|
| <code>x0</code> | <code>zero</code> | Hardwired to zero; ignores writes |
| <code>x1</code> | <code>ra</code> | Return address (link register) |
| <code>x2</code> | <code>sp</code> | Stack pointer |
| <code>x3</code> | <code>gp</code> | Global pointer |
| <code>x4</code> | <code>tp</code> | Thread pointer |
| <code>x5 - x7</code> | <code>t0 - t2</code> | Temporaries |
| <code>x8</code> | <code>s0 or fp</code> | Saved register or frame pointer |
| <code>x9</code> | <code>s1</code> | Saved register |
| <code>x10 - x11</code> | <code>a0 - a1</code> | Function arguments and return values |
| <code>x12 - x17</code> | <code>a2 - a7</code> | Function arguments |
| <code>x18 - x27</code> | <code>s2 - s11</code> | Saved registers |
| <code>x28 - x31</code> | <code>t3 - t6</code> | Temporaries |

Registers `x1` through `x31` are identical, and any 32-bit opcode can use any combination of these registers. However, compressed instructions give preferential treatment to commonly-used registers `sp`, `ra`, `s0`, `s1`, and `a0` through `a5` to improve code density. All compressed instructions implemented by Hazard3 are 16-bit aliases for existing 32-bit instructions, so you can still perform any operation on any register.

See the [RISC-V PSABI Specification](#) for more information on the ABI register assignment as well as the RISC-V procedure calling convention.

3.8.1.4. Compressed instructions

The RISC-V extensions which Hazard3 implements use a mixture of 32-bit and 16-bit opcodes, the latter being referred to as **compressed instructions**. With the exception of `Zcmp`, each compressed instruction maps to a subset of an existing 32-bit instruction. For example, `c.add` is a 16-bit alias of the `add` instruction, with restrictions on register allocation.

The assembler automatically uses compressed instructions when possible. For example, `add a0, a0, a1` is a compressible form of `add`. This assembles to the 16-bit opcode `c.add a0, a1` when compressed instructions are enabled in the assembler.

The following extensions use 16-bit opcodes:

- [C: compressed instructions](#) (the non-floating-point subset is equivalently spelled as `Zca`)
- [Zcb: additional basic compressed instructions](#)
- [Zcmp: compressed push, pop and double-move](#)

Disabling the above extensions for compilation (and assembly) aligns all instructions to 32-bit boundaries. This may have a minor performance advantage for branch-dense code sequences (see [Section 3.8.7](#)), at the cost of poorer code density.

When an instruction has an optional 16-bit compressed form, the limitations of the compressed form are documented in the listing for the 32-bit form. It is useful to be aware of these restrictions when optimising for code size. If no such limitations are mentioned, it means the instruction is always a 32-bit opcode.

`Zcmp` is an outlier in that its instructions each expand to a *sequence* of 32-bit instructions from the RV32I base instruction set. They therefore have no direct 32-bit counterparts.

3.8.1.5. Conventions for pseudocode

Pseudocode in this section is in Verilog 2005 syntax (IEEE 1364-2005). These Verilog operators are used throughout:

- Infix operators `+`, `-`, `*`, `/`, `&`, `^`, `|`, `<<`, `==`, `!=`, `<` and `>=` can be considered the same as the corresponding C operator.
- `$signed()` bit-casts to a signed value; comparisons between two signed values are signed comparisons.
- `>>` is always a logical (zero-extending) right shift.
- `>>>` on a signed value is an arithmetic (sign-extending) right shift.
- `{a, b}` is the bit-concatenation of `a` and `b`, with `a` in the more-significant position of the result.
- `a[n]` on an array is a subscript array access. For example `mem[0]` is the first byte of memory.
- `x[m:1]` on a packed array (a bit vector) is a bit slice of `x`, where `m` is the (inclusive) MSB and `1` is the (inclusive) LSB. For example `rs1[7:0]` is the 8 least-significant bits of `rs1`.
- `{n{x}}`, where `n` is a constant and `x` is a packed array, replicates `x` `n` times. `n` copies of `x` are concatenated together. For example `{32{1'b1}}` is a 32-bit all-ones value.

The pseudocode uses `<=` non-blocking assignments to assign to outputs: all such assignments are applied in a batch after the block of pseudocode has executed. Local variables may be assigned with `=` blocking assignments, which update the assignee immediately, similar to `=` procedural assignments in e.g. C programs. This distinction is important in some cases where e.g. `rd` and `rs1` may alias the same register, but it's generally sufficient just to be aware that `a <= b` and `a = b` are both assignments into `a`.

3.8.1.5.1. Variables used in pseudocode

Pseudocode in this guide uses the following conventions for variables:

- `rs1`, `rs2`, and `rd` are 32-bit unsigned packed arrays (bit vectors), representing the values of the two register operands and the destination register.
- `regnum_rs1`, `regnum_rs2`, and `regnum_rd` are the 5-bit register numbers which select a GPR for `rs1`, `rs2`, and `rd`
- `imm` is a 32-bit unsigned packed array referring to the instruction's immediate value.
- `pc` is a 32-bit unsigned packed array referring to the program counter, which is exactly the address of the current instruction.
- `mem` is an array of 8-bit unsigned packed arrays, each corresponding to a byte address in memory.
- `csr` is an array of 32-bit unsigned packed arrays, each corresponding to a CSR listed in [Section 3.8.9](#).
- `priv` is a 2-bit unsigned packed array which contains the value `0x3` when the core is in Debug or M-mode, and `0x0` when the core is in U-mode.
- `i` and `j` are pseudocode temporary variables of type `integer` which may be used for loop variables.

The following tasks are used throughout:

- `raise_exception(n)` raises an exception with a cause of `n` (see [Section 3.8.4.1](#)).
- `bus_error(addr)` returns `1` when the address `addr` returns a bus error, and `0` otherwise.

3.8.1.6. Alphabetical list of instructions

This instruction reference covers all instructions from all extensions which Hazard3 implements on RP2350. The table below also includes common pseudo-instructions such as `not` and `ret`, which you may see in disassembly and be surprised not to see in the ISA manual. The links for pseudo-instructions go to the entry for the underlying hardware instruction aliased by that pseudo-instruction.

TIP

The instruction names at the left-hand margin of the instruction listings are links back to this index. Use them to quickly return here and look up another instruction.

| Alphabetical order: left-to-right, then top-to-bottom. | | | | | |
|--|---------------------------|---------------------------|----------------------------|--------------------------|---------------------------|
| add | addi | amoadd.w | amoand.w | amomax.w | amomaxu.w |
| amomin.w | amominu.w | amoor.w | amoswap.w | amoxor.w | and |
| andi | andn | auipc | bclr | bclri | beq |
| beqz | bext | bexti | bge | bgeu | bgez |
| bgt | bgtu | bgtz | binv | binvi | ble |
| bleu | blez | blt | bltu | bltz | bne |
| bnez | brev8 | bset | bseti | clz | cm.mva01s |
| cm.mvsa01 | cm.pop | cm.popret | cm.popretz | cm.push | cpop |
| csrc | csrci | csrr | csrrc | csrrci | csrrs |
| csrrsi | csrrw | csrrwi | csrs | csrsi | csrw |
| csrwi | ctz | div | divu | ebreak | ecall |
| fence | fence.i | j | jal | jalr | jr |
| lb | lbu | lh | lhu | lr.w | lui |
| lw | max | maxu | min | minu | mret |
| mul | mulh | mulhsu | mulhu | mv | neg |
| nop | not | or | orc.b | ori | orn |
| pack | packh | rem | remu | ret | rev8 |
| rol | ror | rori | sb | sc.w | seqz |
| sext.b | sext.h | sgtz | sh1add | sh2add | sh3add |
| sh | sll | slli | slt | slti | sltui |
| sltu | sltz | snez | sra | srai | srl |
| srli | sub | sw | unzip | wfi | xnor |
| xor | xori | zext.b | zext.h | zip | |

The remainder of this reference guide groups instructions by extension:

- [RV32I: base ISA \(register-register\)](#)
- [RV32I: base ISA \(register-immediate\)](#)
- [RV32I: base ISA \(large immediate\)](#)
- [RV32I: base ISA \(control transfer\)](#)
- [RV32I: base ISA \(load/store\)](#)

- M: multiply and divide
- A: atomics
- C: compressed instructions
- Zba: bit manipulation for address generation
- Zbb: basic bit manipulation
- Zbs: single bit manipulation
- Zbkb: basic bit manipulation for scalar cryptography
- Zcb: additional basic compressed instructions
- Zcmp: compressed push, pop and double-move
- RV32I and Zifencei: memory ordering
- Zicsr: control and status register access
- Privileged instructions

3.8.1.7. RV32I: base ISA (register-register)

These instructions calculate a function of two register operands, *rs1* and *rs2*. They write the 32-bit result to a destination register, *rd*.

add

Add register to register.

Usage:

```
add rd, rs1, rs2
```

Operation:

```
rd <= rs1 + rs2;
```

Compressible if either:

- *rd* matches *rs1*, no operands are zero (aka *c.add*)
- *rs2* is zero and neither *rd* nor *rs1* is zero (aka *c.mv*)

and

Bitwise AND register with register.

Usage:

```
and rd, rs1, rs2
```

Operation:

```
rd <= rs1 & rs2;
```

Compressible if: `rd` matches `rs1`, registers are in `x8 - x15`.

or

Bitwise OR register with register.

Usage:

```
or rd, rs1, rs2
```

Operation:

```
rd <= rs1 | rs2;
```

Compressible if: `rd` matches `rs1`, registers are in `x8 - x15`.

`sll`

Shift left, logical. Shift amount is modulo 32.

Usage:

```
sll rd, rs1, rs2
```

Operation:

```
rd <= rs1 << rs2[4:0];
```

`slt`

Set if less than (signed). Result is `0` for false, `1` for true.

Usage:

```
slt rd, rs1, rs2
sltz rd, rs1 // pseudo: rs2 is zero
sgtz rd, rs2 // pseudo: rs1 is zero
```

Operation:

```
rd <= $signed(rs1) < $signed(rs2);
```

`sltu`

Set if less than (unsigned). Result is `0` for false, `1` for true.

Usage:


```
sltu rd, rs1, rs
snez rd, rs2    // pseudo: rs1 is zero
```

Operation:

```
rd <= rs1 < rs2;
```

sra

Shift right, arithmetic. Shift amount is modulo 32.

Usage:

```
sra rd, rs1, rs2
```

Operation:

```
rd <= $signed(rs1) >>> rs2[4:0];
```

srl

Shift right, logical. Shift amount is modulo 32.

Usage:

```
srl rd, rs1, rs2
```

Operation:

```
rd <= rs1 >> rs2[4:0];
```

sub

Two's complement subtract register from register.

Usage:

```
sub rd, rs1, rs2
neg rd, rs2    // pseudo: rs1 is zero
```

Operation:

```
rd <= rs1 - rs2;
```

Compressible if: `rd` matches `rs1`, registers are in `x8 - x15`.

xor

Bitwise XOR register with register

Usage:

```
xor rd, rs1, rs2
```

Operation:

```
rd <= rs1 ^ rs2;
```

Compressible if: **rd** matches **rs1**, registers are in **x8 - x15**.

3.8.1.8. RV32I: base ISA (register-immediate)

These instructions calculate a function of one register **rs1** and one immediate operand **imm**. They write the 32-bit result to a destination register **rd**.

Immediate operands are constants encoded directly in the instruction, which avoids the cost of first materialising the constant value into a register.

addi

Add register to immediate.

Usage:

```
addi rd, rs1, imm
mv rd, rs1      // pseudo: imm is 0
nop            // pseudo: rd, rs1 are zero, imm is 0
```

Operation:

```
rd <= rs1 + imm
```

Immediate range: **-0x800** through **0x7ff** for 32-bit, smaller for 16-bit.

Compressible if:

- **rd** matches **rs1**, and immediate is in the range **-0x20** through **0x1f** (aka **c.addi**)
- **rd** is not **zero**, **rs1** is **zero**, and immediate is in the range **-0x20** through **0x1f** (aka **c.li**)
- **rd** is in **x8 - x15**, **rs1** is **sp**, and immediate is a nonzero multiple of four in the range **0x000** through **0x3fc** (aka **c.addi4spn**)
- **rd** is **sp**, **rs1** is **sp**, and immediate is a nonzero multiple of 16 in the range **-0x200** through **0x1f0** (aka **c.addi16sp**)

Note compressed **c.mv** canonically expands to **add**, not **addi**.

andi

Bitwise AND register with immediate.

Usage:

```
andi rd, rs1, imm
zext.b rd, rs1    // pseudo: imm is 0xff
```

Operation:

```
rd <= rs1 & imm;
```

Immediate range: $-0x800$ through $0x7ff$ for 32-bit, $-0x20$ through $0x1f$ for 16-bit.

Compressible if: `rd` matches `rs1`, registers are in `x8 - x15`, and immediate is in the range $-0x20$ through $0x1f$.

ori

Bitwise OR register with immediate.

Usage:

```
ori rd, rs1, imm
```

Operation:

```
rd <= rs1 | imm;
```

Immediate range: $-0x800$ through $0x7ff$

slli

Shift left, logical, immediate.

Usage:

```
slli rd, rs1, imm
```

Operation:

```
rd <= rs1 << imm;
```

Immediate range: 0 through 31 .

Compressible if: `rd` matches `rs1`, registers are not `zero`.

slti

Set if less than immediate (signed). Result is `0` for false, `1` for true.

Usage:

```
slti rd, rs1, imm
```

Operation:

```
rd <= $signed(rs1) < $signed(imm);
```

Immediate range: $-0x800$ through $0x7ff$

sltiu

Set if less than immediate (unsigned). Result is 0 for false, 1 for true.

Usage:

```
sltiu rd, rs1, imm
seqz rd, rs1      // pseudo: imm is 1
```

Operation:

```
rd <= rs1 < imm;
```

Immediate range: $-0x800$ through $0x7ff$

Note the negative values indicated for the immediate range are two's complement: this instruction uses them in an unsigned context, so $-0x800$ through $-0x001$ can be thought of as $+0xffff800$ through $+0xffffffff$ for the comparison.

srai

Shift right, arithmetic, immediate.

Usage:

```
srai rd, rs1, imm
```

Operation:

```
rd <= $signed(rs1) >>> imm;
```

Immediate range: 0 through 31.

Compressible if: `rd` matches `rs1`, registers are in `x8` through `x15`.

srli

Shift right, logical, immediate.

Usage:

```
srli rd, rs1, imm
```

Operation:

```
rd <= rs1 >> imm;
```

Immediate range: 0 through 31.

Compressible if: `rd` matches `rs1`, registers are in `x8` through `x15`.

`xori`

Bitwise XOR register with immediate.

Usage:

```
xori rd, rs1, imm
not rd, rs1      // pseudo: imm is -1
```

Operation:

```
rd <= rs1 ^ imm;
```

Immediate range: `-0x800` through `0x7ff`

Compressible if: `rd` matches `rs1`, registers are in `x8 - x15`, and immediate is `-1` (aka `c.not`)

3.8.1.9. RV32I: base ISA (large immediate)

These instructions are the first in a two-instruction sequence to materialise a 32-bit constant, or a 32-bit offset from `pc`.

`auipc`

Add upper immediate to program counter.

Usage:

```
auipc rd, imm
```

Operation:

```
rd <= pc + (imm << 12);
```

Immediate range: `-0x80000` through `0x7ffff`.

Note `-0x80000` through `-0x00001` are equivalent to `0x80000` through `0xfffff` after the left shift (**on RV32 only**) and the assembler may also accept these positive values.

`lui`

Load upper immediate.

Usage:

```
lui rd, imm
```

Operation:

```
rd <= imm << 12;
```

Immediate range: $-0x80000$ through $0x7ffff$ if 32-bit, or $-0x20$ through $0x1f$ if 16-bit.

Compressible if: `rd` is neither `zero` nor `sp`, and `imm` is nonzero in the range $-0x20$ through $0x1f$.

Note $-0x80000$ through $-0x00001$ are equivalent to $0x80000$ through $0xfffff$ after the left shift (**on RV32 only**) and the assembler may also accept these positive values.

3.8.1.10. RV32I: base ISA (control transfer)

These instructions modify the value of `pc`. When unmodified, `pc` increments by the size of the current instruction in bytes.

Conditional branches either modify or do not modify `pc`, based on a comparison between two registers. There is no flags register, however you can pass boolean conditions into branches by comparing a register with the `zero` register.

`beq`

Branch if equal.

Usage:

```
beq rs1, rs2, label
beqz rs1, label    // pseudo: rs2 is zero
```

Operation:

```
if (rs1 == rs2)
    pc <= label;
```

Immediate range: even values in the range $-0x1000$ through $0x0ffe$ (± 4 kB) if 32-bit, or $-0x100$ through $0x0fe$ (± 256 B) if 16-bit.

Compressible if: `rs2` is `zero`, and immediate is in the range $-0x100$ through $0x0fe$ (aka `c.beqz`).

`bge`

Branch if greater than or equal (signed).

Usage:

```
bge rs1, rs2, label
bgez rs1, label    // pseudo: rs2 is zero
ble rs2, rs1, label // pseudo: operands swapped by assembler
blez rs2, label    // pseudo: rs1 is zero
```

Operation:

```
if ($signed(rs1) >= $signed(rs2))
    pc <= label;
```

Immediate range: even values in the range $-0x1000$ through $0x0ffe$ (± 4 kB)

bgeu

Branch if less than or equal (unsigned).

Usage:

```
bgeu rs1, rs2, label
bleu rs2, rs1, label // pseudo: operands swapped by assembler
```

Operation:

```
if (rs1 >= rs2)
    pc <= label;
```

Immediate range: even values in the range $-0x1000$ through $0x0ffe$ (± 4 kB)

blt

Branch if less than (signed).

Usage:

```
blt rs1, rs2, label
bltz rs1, label // pseudo: rs2 is zero
bgt rs2, rs1, label // pseudo: operands swapped by assembler
bgtz rs2, label // pseudo: rs1 is zero
```

Operation:

```
if ($signed(rs1) < $signed(rs2))
    pc <= label;
```

Immediate range: even values in the range $-0x1000$ through $0x0ffe$ (± 4 kB)

bltu

Branch if less than (unsigned).

Usage:

```
bltu rs1, rs2, label
bgtu rs2, rs1, label // pseudo: operands swapped by assembler
```

Operation:

```
if (rs1 < rs2)
    pc <= label;
```

Immediate range: even values in the range $-0x1000$ through $0x0ffe$ (± 4 kB)

bne

Branch if not equal.

Usage:

```
bne rs1, rs2, label
bnez rs1, label // pseudo: rs2 is zero
```

Operation:

```
if (rs1 != rs2)
    pc <= label;
```

Immediate range: even values in the range $-0x1000$ through $0x0ffe$ (± 4 kB) if 32-bit, or $-0x100$ through $0x0fe$ (± 256 B) if 16-bit.

Compressible if: *rs2* is zero, and immediate is in the range $-0x100$ through $0x0fe$ (aka *c.bnez*).

jal

Jump and link, *pc*-relative.

Usage:

```
jal rd, label
jal label // pseudo: rd is ra
j label // pseudo: rd is zero
```

Operation:

```
rd <= pc + 4; // or +2 if opcode is 16-bit
pc <= label;
```

Immediate range: even values in the range $-0x100000$ through $0x0ffffe$ (± 1 MB) if 32-bit, or $-0x800$ through $0x7fe$ (± 2 kB) if 16-bit.

Compressible if: *rd* is zero or *ra*, and immediate is in the range $-0x800$ through $0x7fe$.

jalr

Jump and link, register-offset.

Usage:

```
jalr rd, rs1, imm // (imm is implicitly 0 if omitted.)
jalr rd, imm(rs1) // alternate syntax. (imm is implicitly 0 if omitted.)
jalr rs1, imm // pseudo: rd is ra. (imm is implicitly 0 if omitted.)
jalr imm(rs1) // pseudo: rd is ra. (imm is implicitly 0 if omitted.)
jr rs1, imm // pseudo: rd is zero. (imm is implicitly 0 if omitted.)
jr imm(rs1) // pseudo: rd is zero. (imm is implicitly 0 if omitted.)
ret // pseudo for jr ra
```

Operation:


```
rd <= pc + 4;    // or +2 if opcode is 16-bit
pc <= rs1 + imm;
```

Immediate range: `-0x800` through `0x7ff`.

Compressible if: `rd` is `zero` or `ra`, immediate is zero, and `rs1` is not `zero`.

3.8.1.11. RV32I: base ISA (load and store)

These instructions transfer data between memory and core registers. The register operand `rs1` and immediate `imm` are added to form the address. Stores write register operand `rs2` into memory, and loads read from memory into the destination register `rd`.

All load and store instructions to naturally aligned addresses on RISC-V are **single-copy atomic**. This means a naturally-aligned load does not observe byte tearing between the values that a memory location held before and after any naturally-aligned store to that location. Equivalently, all bytes covered by a single naturally-aligned load or store instruction transfer in a single transaction with the memory subsystem.

Hazard3 raises an exception on a load or store to a non-naturally-aligned address. See [Section 3.8.4.1](#) for an exhaustive list of exception causes.

lb

Load signed byte from memory.

Usage:

```
lb rd, imm(rs1)
lb rd, (rs1)    // imm is implicitly 0 if omitted.
```

Operation:

```
reg [31:0] addr;
addr = rs1 + imm;
if (bus_fault(addr)) begin
    raise_exception(4'h5); // Cause = load fault
end else begin
    rd <= {
        {24{mem[addr][7]}}, // Sign-extend
        mem[addr]
    };
end
```

Immediate range: `-0x800` through `0x7ff` for 32-bit, or `0x0` through `0x3` for 16-bit.

lbu

Load unsigned byte from memory.

Usage:

```
lbu rd, imm(rs1)
lbu rd, (rs1)    // imm is implicitly 0 if omitted.
```

Operation:

```

reg [31:0] addr;
addr = rs1 + imm;
if (bus_fault(addr)) begin
    raise_exception(4'h5); // Cause = load fault
end else begin
    rd <= {
        24'h000000, // Zero-extend
        mem[addr]
    };
end

```

Immediate range: $-0x800$ through $0x7ff$ for 32-bit, or $0x0$ through $0x3$ for 16-bit.

Compressible if: rd and $rs1$ are in $x8$ through $x15$, and immediate is in the range $0x0$ through $0x3$.

lh

Load signed halfword from memory.

Usage:

```

lh rd, imm(rs1)
lh rd, (rs1) // imm is implicitly 0 if omitted.

```

Operation:

```

reg [31:0] addr;
addr = rs1 + imm;
if (addr[0]) begin
    raise_exception(4'h4); // Cause = unaligned load
end else if (bus_fault(addr)) begin
    raise_exception(4'h5); // Cause = load fault
end else begin
    rd <= {
        {16{mem[addr + 1][7]}}, // Sign-extend
        mem[addr + 1],
        mem[addr]
    };
end

```

Immediate range: $-0x800$ through $0x7ff$ for 32-bit, or even values in the range $0x0$ through $0x2$ for 16-bit.

Compressible if: rd and $rs1$ are in $x8$ through $x15$, and immediate is $0x0$ or $0x2$.

lhu

Load unsigned halfword from memory.

Usage:

```

lhu rd, imm(rs1)
lhu rd, (rs1) // imm is implicitly 0 if omitted.

```

Operation:

```

reg [31:0] addr;
addr = rs1 + imm;
if (addr[0]) begin
    raise_exception(4'h4);          // Cause = unaligned load
end else if (bus_fault(addr)) begin
    raise_exception(4'h5);          // Cause = load fault
end else begin
    rd <= {
        16'h0000,                  // Zero-extend
        mem[addr + 1],
        mem[addr]
    };
end

```

Immediate range: $-0x800$ through $0x7ff$ for 32-bit, or even values in the range $0x0$ through $0x2$ for 16-bit.

Compressible if: rd and $rs1$ are in $x8$ through $x15$, and immediate is $0x0$ or $0x2$.

lw

Load word from memory.

Usage:

```

lw rd, imm(rs1)
lw rd, (rs1)    // imm is implicitly 0 if omitted.

```

Operation:

```

reg [31:0] addr;
addr = rs1 + imm;
if (addr[1:0]) begin
    raise_exception(4'h4);          // Cause = unaligned load
end else if (bus_fault(addr)) begin
    raise_exception(4'h5);          // Cause = load fault
end else begin
    rd <= {
        mem[addr + 3],              // Note little-endian;
        mem[addr + 2],              // MSBs are highest address
        mem[addr + 1],
        mem[addr]
    };
end

```

Immediate range: $-0x800$ through $0x7ff$ for 32-bit, smaller for 16-bit.

Compressible if:

- rd and $rs1$ are in $x8 - x15$, and immediate is a multiple of four in the range $0x00$ through $0x7c$ (aka $c.lw$)
- rd is not zero, $rs1$ is sp , and immediate is a multiple of four in the range $0x00$ through $0xfc$ (aka $c.lwsp$)

sb

Store byte to memory.

Usage:

```
sb rs2, imm(rs1)
sb rs2, (rs1) // imm is implicitly 0 if omitted.
```

Operation:

```
reg [31:0] addr;
addr = rs1 + imm;
if (bus_fault(addr)) begin
    raise_exception(4'h7); // Cause = store/AMO fault
end else begin
    mem[addr] <= rs2[7:0];
end
```

Immediate range: $-0x800$ through $0x7ff$ for 32-bit, or $0x0$ through $0x3$ for 16-bit.

Compressible if: rd and $rs1$ are in $x8$ through $x15$, and immediate is in the range $0x0$ through $0x3$.

sh

Store halfword to memory.

Usage:

```
sh rs2, imm(rs1)
sh rs2, (rs1) // imm is implicitly 0 if omitted.
```

Operation:

```
reg [31:0] addr;
addr = rs1 + imm;
if (addr[0]) begin
    raise_exception(4'h6); // Cause = unaligned store/AMO
end else if (bus_fault(addr)) begin
    raise_exception(4'h7); // Cause = store/AMO fault
end else begin
    mem[addr] <= rs2[7:0];
    mem[addr + 1] <= rs2[15:8];
end
```

Immediate range: $-0x800$ through $0x7ff$ for 32-bit, or even values in the range $0x0$ through $0x2$ for 16-bit.

Compressible if: rd and $rs1$ are in $x8$ through $x15$, and immediate is $0x0$ or $0x2$.

sw

Store word to memory.

Usage:

```
sw rs2, imm(rs1)
sw rs2, (rs1) // imm is implicitly 0 if omitted.
```

Operation:

```

reg [31:0] addr;
addr = rs1 + imm;
if (addr[1:0]) begin
    raise_exception(4'h6);    // Cause = unaligned store/AMO
end else if (bus_fault(addr)) begin
    raise_exception(4'h7);    // Cause = store/AMO fault
end else begin
    mem[addr]    <= rs2[7:0];
    mem[addr + 1] <= rs2[15:8];
    mem[addr + 2] <= rs2[23:16];
    mem[addr + 3] <= rs2[31:24];
end
end

```

Immediate range: `-0x800` through `0x7ff` for 32-bit, smaller for 16-bit.

Compressible if:

- `rs1` and `rs2` are in `x8 - x15`, and immediate is a multiple of four in the range `0x00` through `0x7c` (aka `c.sw`)
- `rs2` is not zero, `rs1` is `sp`, and immediate is a multiple of four in the range `0x00` through `0xfc` (aka `c.swsp`)

3.8.1.12. M: Multiply and Divide

These instructions implement integer multiply, divide and modulo.

div

Divide (signed).

Usage:

```
div rd, rs1, rs2
```

Operation:

```

if (rs2 == 32'h0)
    rd <= 32'hffffffff;    // Defined for division by zero
else if (rs1 == 32'h80000000 && rs2 == 32'hffffffff)
    rd <= 32'h80000000;    // Defined for signed overflow
else
    rd <= $signed(rs1) / $signed(rs2);    // Sign of rd is XOR of signs

```

divu

Divide (unsigned).

Usage:

```
divu rd, rs1, rs2
```

Operation:

```

if (rs2 == 32'h0)
    rd <= 32'hfffffff;           // Defined for division by zero
else
    rd <= rs1 / rs2;

```

mul

Multiply $32 \times 32 \rightarrow 32$.

Usage:

```
mul rd, rs1, rs2
```

Operation:

```
rd <= rs1 * rs2;
```

Compressible if: **rd** matches **rs1**, registers are in **x8** through **x15**.

mulh

Multiply signed (32) by signed (32), return upper 32 bits of the 64-bit result.

Usage:

```
mulh rd, rs1, rs2
```

Operation:

```

// Both operands are sign-extended to 64 bits:
reg [63:0] result_full;
result_full = {{32{rs1[31]}}, rs1} * {{32{rs2[31]}}, rs2};
rd <= result_full[63:32];

```

mulhsu

Multiply signed (32) by unsigned (32), return upper 32 bits of the 64-bit result.

Usage:

```
mulhsu rd, rs1, rs2
```

Operation:

```

// rs1 is sign-extended, rs2 is zero-extended:
reg [63:0] result_full;
result_full = {{32{rs1[31]}}, rs1} * {32'h00000000, rs2};
rd <= result_full[63:32];

```

mulhu

Multiply unsigned (32) by unsigned (32), return upper 32 bits of the 64-bit result.

Usage:

```
mulhu rd, rs1, rs2
```

Operation:

```
// Both operands are zero-extended to 64 bits:
reg [63:0] result_full;
result_full = {32'h00000000, rs1} * {32'h00000000, rs2};
rd <= result_full[63:32];
```

rem

Remainder (signed).

Usage:

```
rem rd, rs1, rs2
```

Operation:

```
if (rs2 == 32'h0)
    rd <= rs1; // Defined for division by zero
else
    rd <= $signed(rs1) % $signed(rs2); // Sign of rd is sign of rs1
```

remu

Remainder (unsigned).

Usage:

```
remu rd, rs1, rs2
```

Operation:

```
if (rs2 == 32'h0)
    rd <= rs1;
else
    rd <= rs1 % rs2;
```

3.8.1.13. A: Atomics

These instructions help software to safely and concurrently modify shared variables. They fall into two groups:

- `lr.w` and `sc.w`, load-reserved and store-conditional instructions, which allow software to safely perform read-modify-write operations on shared variables by looping until success
- `amo*.w` instructions (atomic memory operations or AMOs), which atomically modify a memory location and return the value it held immediately prior to modification

The pseudocode in this section references the 1-bit global variable `local_monitor_valid`. It is true when the hart has:

- previously completed a successful AHB5 exclusive read
- not attempted an exclusive write since the read
- not been interrupted or taken an exception since the read (*implementation-defined behaviour*)

The pseudocode maintains this invariant over the `local_monitor_valid` flag. This flag helps the hart maintain atomicity of its read-modify-write sequences with respect to its own interrupts. Hardware refuses to perform exclusive writes when the local monitor flag is not set.

AMOs clear the local monitor state even when bailing out during the read phase, since even in this case you have attempted to execute an instruction which performs an exclusive write. In an `lr.w, sc.w` sequence with an AMO executed in between, the `sc.w` always fails.

Hazard3 builds its atomic shared memory implementation on top of AHB5 exclusive accesses. The following tasks, used throughout this section, represent AHB5 32-bit exclusive reads and writes:

```
// Read 32 bits from memory and return reservation success/fail according to
// global monitor. Set local monitor bit if the reservation succeeded.
task exclusive_read_32;
    input [31:0] addr;
    output [31:0] data;
    output exclusive_ok;
begin
    data = {
        mem[addr + 3],
        mem[addr + 2],
        mem[addr + 1],
        mem[addr]
    };
    local_monitor_valid = global_monitor_read(addr);
    exclusive_ok = local_monitor_valid;
end
endtask

// Attempt to write 32 bits to memory, and return write success/fail according
// to global monitor. Always clear the local monitor flag.
task exclusive_write_32;
    input [31:0] addr;
    input [31:0] data;
    output exclusive_ok;
begin
    if (!local_monitor_valid) begin
        exclusive_ok = 0; // Write refused by local monitor
    end else if (global_monitor_write(addr)) begin
        exclusive_ok = 1; // Write succeeds
        mem[addr + 3] <= data[31:24];
        mem[addr + 2] <= data[23:16];
        mem[addr + 1] <= data[15: 8];
        mem[addr + 0] <= data[ 7: 0];
    end else begin
        exclusive_ok = 0; // Write refused by global monitor
    end
    local_monitor_valid = 0; // Always clear local monitor
end
end
```



```
endtask
```

The functions `global_monitor_read(addr);` and `global_monitor_write(addr);` in the above code return the global monitor response for an exclusive read or write to this address, following the rules laid out in [Section 2.1.6](#). The global monitor enforces atomicity of this hart's read-modify-write sequences with respect to other harts sharing the same memory.

Because Hazard3 implements an AMO as a hardware-sequenced read-modify-write retry loop using AHB5 exclusives, the hardware promotes a read reservation failure during an AMO to a store/AMO fault exception (`mcause = 7`). This behaviour avoids an infinite loop when accessing locations which do not support exclusive access.

The following local variables are common to all AMO pseudocode:

```
reg      done = 0;
reg      exclusive_success;
reg [31:0] tmp;
```

`amoadd.w`

Atomically add register to memory and return original memory value.

Usage:

```
amoadd.w rd, rs2, (rs1)
```

Operation:

```
if (rs1[1:0]) begin
    raise_exception(4'h6);                // Cause: store/AMO align
    done = 1;
end
while (!done) begin
    exclusive_read_32(rs1, tmp, exclusive_success);
    if (!exclusive_success || bus_fault(addr)) begin
        raise_exception(4'h7);            // Cause: store/AMO fault
        done = 1;
    end else begin
        tmp = tmp + rs2;
        exclusive_write_32(rs1, tmp, done);
    end
end
local_monitor_valid = 0;                // Always clear local monitor
```

`amoand.w`

Atomically bitwise AND register into memory. Return original memory value.

Usage:

```
amoand.w rd, rs2, (rs1)
```

Operation:

```

if (rs1[1:0]) begin
    raise_exception(4'h6); // Cause: store/AMO align
    done = 1;
end
while (!done) begin
    exclusive_read_32(rs1, tmp, exclusive_success);
    if (!exclusive_success || bus_fault(addr)) begin
        raise_exception(4'h7); // Cause: store/AMO fault
        done = 1;
    end else begin
        tmp = tmp & rs2;
        exclusive_write_32(rs1, tmp, done);
    end
end
local_monitor_valid = 0; // Always clear local monitor

```

amomax.w

Atomically: check if register is signed-greater-than memory value, and write to memory if true. Return original memory value.

Usage:

```
amomax.w rd, rs2, (rs1)
```

Operation:

```

if (rs1[1:0]) begin
    raise_exception(4'h6); // Cause: store/AMO align
    done = 1;
end
while (!done) begin
    exclusive_read_32(rs1, tmp, exclusive_success);
    if (!exclusive_success || bus_fault(addr)) begin
        raise_exception(4'h7); // Cause: store/AMO fault
        done = 1;
    end else begin
        tmp = $signed(tmp) < $signed(rs2) ? rs2 : tmp;
        exclusive_write_32(rs1, tmp, done);
    end
end
local_monitor_valid = 0; // Always clear local monitor

```

amomaxu.w

Atomically: check if register is unsigned-greater-than memory value, and write to memory if so. Return original memory value.

Usage:

```
amomaxu.w rd, rs2, (rs1)
```

Operation:

```

if (rs1[1:0]) begin
    raise_exception(4'h6); // Cause: store/AMO align
    done = 1;
end
while (!done) begin
    exclusive_read_32(rs1, tmp, exclusive_success);
    if (!exclusive_success || bus_fault(addr)) begin
        raise_exception(4'h7); // Cause: store/AMO fault
        done = 1;
    end else begin
        tmp = tmp < rs2 ? rs2 : tmp;
        exclusive_write_32(rs1, tmp, done);
    end
end
local_monitor_valid = 0; // Always clear local monitor

```

amomin.w

Atomically: check if register is signed-less-than memory value, and write to memory if so. Return original memory value.

Usage:

```
amomin.w rd, rs2, (rs1)
```

Operation:

```

if (rs1[1:0]) begin
    raise_exception(4'h6); // Cause: store/AMO align
    done = 1;
end
while (!done) begin
    exclusive_read_32(rs1, tmp, exclusive_success);
    if (!exclusive_success || bus_fault(addr)) begin
        raise_exception(4'h7); // Cause: store/AMO fault
        done = 1;
    end else begin
        tmp = $signed(tmp) < $signed(rs2) ? tmp : rs2;
        exclusive_write_32(rs1, tmp, done);
    end
end
local_monitor_valid = 0; // Always clear local monitor

```

amominu.w

Atomically: check if register is unsigned-less-than memory value, and write to memory if so. Return original memory value.

Usage:

```
amominu.w rd, rs2, (rs1)
```

Operation:

```

if (rs1[1:0]) begin
    raise_exception(4'h6);                // Cause: store/AMO align
    done = 1;
end
while (!done) begin
    exclusive_read_32(rs1, tmp, exclusive_success);
    if (!exclusive_success || bus_fault(addr)) begin
        raise_exception(4'h7);          // Cause: store/AMO fault
        done = 1;
    end else begin
        tmp = tmp < rs2 ? tmp : rs2;
        exclusive_write_32(rs1, tmp, done);
    end
end
local_monitor_valid = 0;                // Always clear local monitor

```

amoor.w

Atomically bitwise OR register into memory. Return original memory value.

Usage:

```
amoor.w rd, rs2, (rs1)
```

Operation:

```

if (rs1[1:0]) begin
    raise_exception(4'h6);                // Cause: store/AMO align
    done = 1;
end
while (!done) begin
    exclusive_read_32(rs1, tmp, exclusive_success);
    if (!exclusive_success || bus_fault(addr)) begin
        raise_exception(4'h7);          // Cause: store/AMO fault
        done = 1;
    end else begin
        tmp = tmp | rs2;
        exclusive_write_32(rs1, tmp, done);
    end
end
local_monitor_valid = 0;                // Always clear local monitor

```

amoswap.w

Atomically: write a value to memory, and return the value the memory location held immediately prior to the write.

Usage:

```
amoswap.w rd, rs2, (rs1)
```

Operation:

```

if (rs1[1:0]) begin
    raise_exception(4'h6);                // Cause: store/AMO align
    done = 1;
end
while (!done) begin
    exclusive_read_32(rs1, tmp, exclusive_success);
    if (!exclusive_success || bus_fault(addr)) begin
        raise_exception(4'h7);            // Cause: store/AMO fault
        done = 1;
    end else begin
        exclusive_write_32(rs1, rs2, done);
    end
end
local_monitor_valid = 0;                  // Always clear local monitor

```

amoxor.w

Atomically bitwise OR register into memory. Return original memory value.

Usage:

```
amoxor.w rd, rs2, (rs1)
```

Operation:

```

if (rs1[1:0]) begin
    raise_exception(4'h6);                // Cause: store/AMO align
    done = 1;
end
while (!done) begin
    exclusive_read_32(rs1, tmp, exclusive_success);
    if (!exclusive_success || bus_fault(addr)) begin
        raise_exception(4'h7);            // Cause: store/AMO fault
        done = 1;
    end else begin
        exclusive_write_32(rs1, rs2, done);
    end
end
local_monitor_valid = 0;                  // Always clear local monitor

```

lr.w

Load a value from memory and make a reservation with the global monitor. Set local monitor bit according to reservation success.

Usage:

```
lr.w rd, (rs1)
```

Operation:

```

if (rs1[1:0]) begin
    raise_exception(4'h4); // Cause: load align
end else if (bus_fault(rs1)) begin
    raise_exception(4'h5); // Cause: load fault
end else begin
    read_exclusive_32(rs1, tmp, local_monitor_valid);
    rd <= tmp;
end
    
```

sc.w

Conditionally store a value to memory. Succeed if reservation is valid at both local and global monitor. Return 1 for failure, 0 for success.

Usage:

```
sc.w rd, rs2, (rs1)
```

Operation:

```

if (rs1[1:0]) begin
    raise_exception(4'h6); // Cause: store/AMO align
end else if (bus_fault(addr)) begin
    raise_exception(4'h7); // Cause: store/AMO fault
end else if (!local_monitor_valid) begin
    rd <= 1; // Refused by local monitor
end else begin
    write_exclusive_32(rs1, rs2, exclusive_success);
    rd <= !exclusive_success;
end
local_monitor_valid = 0; // Always clear local monitor
    
```

3.8.1.14. C: Compressed instructions

All instructions in the C extension are 16-bit aliases of 32-bit instructions from other extensions. In the case of Hazard3, which lacks the F extension, these are all aliases of base I instructions. They behave identically to their 32-bit counterparts.

C adds compressed aliases for the following instructions from RV32I:

| Alphabetical order: left-to-right, then top-to-bottom. | | | | | |
|--|------|------|------|-----|-----|
| add | addi | and | andi | beq | bne |
| ebreak | jal | jalr | lui | lw | or |
| slli | srai | srli | sub | sw | xor |

See the per-instruction documentation for the compression limitations of each instruction. The assembler automatically uses compressed variants when the limitations are met, and when the relevant compressed instruction extension is enabled for the assembler, for example by passing c in the -march ISA string.

The above also applies to Zca and Zcb: the former is an alias for the non-floating-point subset of C, and the latter adds 16-bit aliases for additional common instructions from the I, M and Zbb extensions. Each Zcmp instruction expands to a sequence of multiple instructions from the I extension.

[\(Return to index\)](#)

3.8.1.15. Zba: bit manipulation (address generation)

These instructions accelerate address generation for arrays of 2, 4 and 8-byte elements. They can also multiply by constant values 3, 5 and 9 if that is more your style.

sh1add

Add, with the first addend shifted left by 1.

Usage:

```
sh1add rd, rs1, rs2
```

Operation:

```
rd <= (rs1 << 1) + rs2;
```

sh2add

Add, with the first addend shifted left by 2.

Usage:

```
sh2add rd, rs1, rs2
```

Operation:

```
rd <= (rs1 << 2) + rs2;
```

sh3add

Add, with the first addend shifted left by 3.

Usage:

```
sh3add rd, rs1, rs2
```

Operation:

```
rd <= (rs1 << 3) + rs2;
```

3.8.1.16. Zbb: bit manipulation (basic)

These instructions are useful for bitfield manipulation, and complex integer arithmetic, such as in soft floating point routines. Many of them substitute directly for common pairs of RV32I instructions, like `zext.h` → `sll, srl`.

andn

Bitwise AND with inverted second operand.

Usage:

```
andn rd, rs1, rs2
```

Operation:

```
rd <= rs1 & ~rs2;
```

clz

Count leading zeroes (starting from MSB, searching LSB-ward).

Usage:

```
clz rd, rs1
```

Operation:

```
rd <= 32;          // Default = 32 if no set bits
reg found = 1'b0; // Local variable

for (i = 0; i < 32; i = i + 1) begin
    if (rs1[31 - i] && !found) begin
        found = 1'b1;
        rd <= i;
    end
end
```

cpop

Population count.

Usage:

```
cpop rd, rs1
```

Operation:

```
reg [5:0] sum = 6'd0;          // Local variable
for (i = 0; i < 32; i = i + 1)
    sum = sum + rs1[i];
rd <= sum;
```

ctz

Count trailing zeroes (starting from LSB, searching MSB-ward).

Usage:

```
ctz rd, rs1
```

Operation:

```
rd <= 32;          // Default = 32 if no set bits
reg found = 1'b0; // Local variable

for (i = 0; i < 32; i = i + 1) begin
    if (rs1[i] && !found) begin
        found = 1'b1;
        rd <= i;
    end
end
end
```

max

Maximum of two values (signed).

Usage:

```
max rd, rs1, rs2
```

Operation:

```
if ($signed(rs1) < $signed(rs2))
    rd <= rs2;
else
    rd <= rs1;
```

maxu

Maximum of two values (unsigned).

Usage:

```
maxu rd, rs1, rs2
```

Operation:

```
if (rs1 < rs2)
    rd <= rs2;
else
    rd <= rs1;
```

min

Minimum of two values (signed).

Usage:

```
min rd, rs1, rs2
```

Operation:

```
if ($signed(rs1) < $signed(rs2))
    rd <= rs1;
else
    rd <= rs2;
```

minu

Minimum of two values (unsigned).

Usage:

```
minu rd, rs1, rs2
```

Operation:

```
if (rs1 < rs2)
    rd <= rs1;
else
    rd <= rs2;
```

orc.b

OR-combine of bits within each byte. Generates a mask of nonzero bytes.

Usage:

```
orc.b rd, rs1
```

Operation:

```
rd <= {
    {8{|rs1[31:24]}},
    {8{|rs1[23:16]}},
    {8{|rs1[15:8]}},
    {8{|rs1[7:0]}}
};
```

orn

Bitwise OR with inverted second operand.

Usage:

```
orn rd, rs1, rs2
```

Operation:

```
rd <= rs1 | ~rs2;
```

rev8

Reverse bytes within word.

Usage:

```
rev8 rd, rs1
```

Operation:

```
rd <= {  
    rs1[7:0],  
    rs1[15:8],  
    rs1[23:16],  
    rs1[31:24]  
};
```

rol

Rotate left by register, modulo 32.

Usage:

```
rol rd, rs1, rs2
```

Operation:

```
rd <= ({rs1, rs1} << rs2[4:0]) >> 32;
```

ror

Rotate right by register, modulo 32.

Usage:

```
ror rd, rs1, rs2
```

Operation:

```
rd <= {rs1, rs1} >> rs2[4:0];
```

rori

Rotate right by immediate.

Usage:

```
rori rd, rs1, imm
```

Operation:

```
rd <= {rs1, rs1} >> imm;
```

Immediate range: 0 through 31.

sext.b

Sign-extend from byte.

Usage:

```
sext.b rd, rs1
```

Operation:

```
rd <= {  
    {24{rs1[7]}},  
    rs1[7:0]  
};
```

Compressible if: **rd** matches **rs1**, and registers are in **x8 - x15**.

sext.h

Sign-extend from halfword.

Usage:

```
sext.h rd, rs1
```

Operation:

```
rd <= {  
    {16{rs1[15]}},  
    rs1[15:0]  
};
```

Compressible if: **rd** matches **rs1**, and registers are in **x8 - x15**.

xnor

Bitwise XOR with inverted operand. Equivalently, bitwise NOT of bitwise XOR.

Usage:

```
xnor rd, rs1, rs2
```

Operation:

```
rd <= rs1 ^ ~rs2;
```

zext.b

Zero-extend from byte.

Usage:

```
zext.b rd, rs1
```

Operation:

```
rd <= {  
    24'h000000,  
    rs1[7:0]  
};
```

Compressible if: **rd** matches **rs1**, and registers are in **x8 - x15**.

The 32-bit opcode for **zext.b** is a pseudo-instruction for **andi**. However, the compressed variant is a dedicated instruction from **Zcb**. It is not actually a part of **Zbb**, but is documented here for grouping with the other **sext./zext** instructions.

zext.h

Zero-extend from halfword.

Usage:

```
zext.h rd, rs1
```

Operation:

```
rd <= {  
    16'h0000,  
    rs1[15:0]  
};
```

Compressible if: **rd** matches **rs1**, and registers are in **x8 - x15**.

3.8.1.17. Zbs: Bit manipulation (single-bit)

These instructions invert, set, clear and extract single bits in a register.

bclr

Clear single bit.

Usage:

```
bclr rd, rs1, rs2
```

Operation:

```
rd <= rs1 & ~(32'h1 << rs2[4:0]);
```

bclri

Clear single bit (immediate).

Usage:

```
bclri rd, rs1, imm
```

Operation:

```
rd <= rs1 & ~(32'h1 << imm);
```

Immediate range: 0 through 31.

bext

Extract single bit.

Usage:

```
bext rd, rs1, rs2
```

Operation:

```
rd <= (rs1 >> rs2[4:0]) & 32'h1;
```

bexti

Extract single bit (immediate).

Usage:

```
bexti rd, rs1, imm
```

Operation:

```
rd <= (rs1 >> imm) & 32'h1;
```

Immediate range: 0 through 31.

binv

Invert single bit.

Usage:

```
binv rd, rs1, rs2
```

Operation:

```
rd <= rs1 ^ (32'h1 << rs2[4:0]);
```

binvi

Invert single bit (immediate).

Usage:

```
binvi rd, rs1, imm
```

Operation:

```
rd <= rs1 ^ (32'h1 << imm);
```

Immediate range: 0 through 31.

bset

Set single bit.

Usage:

```
bset rd, rs1, rs2
```

Operation:

```
rd <= rs1 | (32'h1 << rs2[4:0])
```

bseti

Set single bit (immediate).

Usage:

```
bseti rd, rs1, imm
```

Operation:

```
rd <= rs1 | (32'h1 << imm);
```

Immediate range: 0 through 31.

3.8.1.18. Zbkb: basic bit manipulation for cryptography

Zbkb has a large overlap with Zbb (basic bit manipulation). This section covers instructions in Zbkb but not in Zbb.

brev8

Bit-reverse within each byte.

Usage:

```
brev8 rd, rs1
```

Operation:

```
for (i = 0; i < 32; i = i + 8) begin
    for (j = 0; j < 8; j = j + 1) begin
        rd[i + j] <= rs1[i + (7 - j)];
    end
end
```

pack

Pack two halfwords into one word.

Usage:

```
pack rd, rs1, rs2
```

Operation:

```
rd <= {
    rs2[15:0],
    rs1[15:0]
};
```

packh

Pack two bytes into one halfword.

Usage:


```
packh rd, rs1, rs2
```

Operation:

```
rd <= {
    16'h0000,
    rs2[7:0],
    rs1[7:0]
};
```

unzip

Deinterleave odd/even bits of register into upper/lower half of result.

Usage:

```
unzip rd, rs1
```

Operation:

```
for (i = 0; i < 32; i = i + 2) begin
    rd[i / 2]      <= rs1[i];
    rd[i / 2 + 16] <= rs1[i + 1];
end
```

zip

Interleave upper/lower half of register into odd/even bits of result.

Usage:

```
zip rd, rs1
```

Operation:

```
for (i = 0; i < 32; i = i + 2) begin
    rd[i]      <= rs1[i / 2];
    rd[i + 1] <= rs1[i / 2 + 16];
end
```

3.8.1.19. Zcb: Additional basic compressed instructions

Zcb adds 16-bit compressed aliases for the following instructions from the **I**, **M** and **Zbb** extensions:

| Alphabetical order: left-to-right, then top-to-bottom. | | | | | |
|--|----|-----|-----|-----|----|
| lbu | lh | lhu | mul | not | sb |

| Alphabetical order: left-to-right, then top-to-bottom. | | | | | |
|--|--------|----|--------|--------|--|
| sext.b | sext.h | sh | zext.b | zext.h | |

See per-instruction documentation for the compressibility limitations for each instruction.

[\(Return to index\)](#)

3.8.1.20. Zcmp: Compressed push, pop, and double move

Zcmp adds 16-bit instructions which expand to common sequences of 32-bit RV32I instructions used in function prologues and epilogues. The following is a rough description of the available instructions:

- **cm.push**: allocates a stack frame and saves registers.
 - Push *ra* onto the stack.
 - Optionally push a number of the *s0* through *s11* saved registers, consecutively up from *s0*.
 - Round the total stack decrement to a multiple of 16 bytes, to maintain stack alignment if already aligned.
 - Decrement the stack pointer by up to 48 additional bytes, in multiples of 16 bytes, to allocate additional frame space.
 - There are twelve *s** registers, and you can push any number of them *except for eleven*. If you need to push more than ten *s** registers, push twelve.
- **cm.pop**: reverse of **cm.push**. Deallocates a stack frame and restores *ra*, optionally *s0* through *s11*.
- **cm.popret**: equivalent to **cm.pop** followed by **ret**. Deallocates a stack frame, restores saved registers, and returns.
- **cm.popretz**: equivalent to **cm.pop**; **li a0, 0**; **ret**. It is common for functions to return a constant 0.
- **cm.mvsa01**: move *a0* and *a1* into any two registers in the range *s0* through *s7*. Used to save arguments over embedded calls.
- **cm.mva01s**: move into *a0* and *a1*, from any two registers in *s0* through *s7*. Used to restore saved arguments.

See [Section 3.8.1.1](#) for a link to the **Zcmp** specification which covers key details such as stack layout and atomicity with respect to interrupts. See [Section 3.8.7](#) for cycle counts for these instructions on Hazard3.

[\(Return to index\)](#)

3.8.1.21. RV32I and Zifencei: Memory ordering instructions

These instructions control observed memory ordering of loads and stores in multi-hart systems. They also enforce when a hart's instruction fetch observes its own stores.

fence

Constrain the position of this hart's accesses in the total memory order, according to this hart's program order.

Usage:

```

// <set> is a nonempty string which matches the regex i?o?r?w?
fence <set>, <set> // predecessor, successor
fence           // pseudo: fence iorw, iorw
fence.tso      // variant of fence rw, rw; see below

```

Operation: Hazard3 has no store buffer, and assumes the memory subsystem is sequentially consistent. Therefore no additional book-keeping is required to enforce ordering on shared memory, and this instruction executes as a no-op. (The SDK still uses **fence** instructions, and the ordered variants of **amo*.w**, for portability across platforms which

take advantage of relaxed memory ordering.)

Nominally a `fence` enforces that the **predecessor** set appears before the **successor** set in the total memory order. These sets respectively contain the hart's memory accesses before and after the `fence` instruction in program order, and are further filtered by a 4-bit mask each:

- Device input (I)
- Device output (O)
- Read (R)
- Write (W)

The `fence.tso` (total store order) variant is equivalent to `fence rw, rw` except that it does not enforce write-before-read ordering.

`fence.i`

Instruction fence. Ensure subsequent instruction fetches on this hart observe this hart's previous stores.

Usage:

```
fence.i
```

Operation:

1. Clear the branch target buffer ([Section 3.8.7.10](#))
2. Jump to the instruction at the sequentially-next address (`pc + 4`), to clear the prefetch buffer.

The prefetch buffer can reorder instruction fetch against stores which are earlier in program order. For example:

```
la a0, label // get address for store instruction
li a1, 0x9002 // get immediate value of c.ebreak
div t1, t1, t1 // long-running instruction, fills prefetch buffer
sh a1, (a0) // write to next address. (16-bit opcode)
label:
nop // (16-bit opcode)
```

If you execute the above code on Hazard3, you may or may not get a breakpoint exception at `label`. The outcome depends on how many cycles the bus accesses take. This is permitted by the RISC-V memory model.

This case is generally only reachable on fall-through, because Hazard3 does not prefetch through control flow instructions except for the taken backward conditional branch currently allocated in the branch target buffer. In particular it does not prefetch through indirect branches like `ret`. You are unlikely to hit this issue in practice; however, be aware `fence.i` is the standard mechanism for solving this class of problem.

Hazard3 behaves unpredictably if you write to the address of a conditional branch instruction that is currently tagged in the branch target buffer, and then execute that conditional branch instruction without first executing a `fence.i`. Avoid this by always executing a `fence.i` between writing to memory and executing that same memory.

3.8.1.22. Zicsr: Control and status register access

These instructions access the control and status registers (CSRs) listed in [Section 3.8.9](#). A CSR instruction may read a CSR, modify a CSR, or simultaneously read and modify the same CSR. A modification consists of a normal write, an atomic bit-clear, or an atomic bit-set.

CSR addresses are in the range `0x000` through `0xfff` (12 bits, 4096 possible CSRs). The CSR address is an immediate constant in the instruction, so you cannot index CSRs with runtime values. The assembler accepts numeric constants or

CSR names such as `mstatus` as CSR addresses.

`csrrc`

Simultaneously read and clear bits in a CSR.

Usage:

```
csrrc rd, <addr>, rs1
csrc <addr>, rs1      // pseudo: rd is zero
```

Operation:

```
rd <= csr[addr];
if (regnum_rs1 != 5'h00)
    csr[addr] <= csr[addr] & ~rs1;
```

`csrrci`

Simultaneously read and clear bits in a CSR, with an immediate value for the clear.

Usage:

```
csrrci rd, <addr>, imm
csrci <addr>, imm      // pseudo: rd is zero
```

Operation:

```
rd <= csr[addr];
if (imm != 32'h0)
    csr[addr] <= csr[addr] & ~imm;
```

Immediate range: 0 through 31.

`csrrs`

Simultaneously read and set bits in a CSR.

Usage:

```
csrrs rd, <addr>, rs1
csrs <addr>, rs1      // pseudo: rd is zero
csrr rd, <addr>      // pseudo: rs1 is zero
```

Operation:

```
rd <= csr[addr];
if (regnum_rs1 != 5'h00)
    csr[addr] <= csr[addr] | rs1;
```

csrrsi

Simultaneously read and set bits in a CSR, with an immediate value for the set.

Usage:

```
csrrsi rd, <addr>, imm
csrsi <addr>, imm // pseudo: rd is zero
```

Operation:

```
rd <= csr[addr];
if (imm != 32'h0)
    csr[addr] <= csr[addr] | imm;
```

Immediate range: 0 through 31.

csrrw

Simultaneously read and write a CSR.

Usage:

```
csrrw rd, <addr>, rs1
csrw <addr>, rs1 // pseudo: rd is zero
```

Operation:

```
if (regnum_rd != 5'h00)
    rd <= csr[addr];
csr[addr] <= rs1;
```

csrrwi

Simultaneously read and write a CSR, with an immediate value for the write.

Usage:

```
csrrwi rd, <addr>, imm
csrwi <addr>, imm // pseudo: rd is zero
```

Operation:

```
if (regnum_rd != 5'h00)
    rd <= csr[addr];
csr[addr] <= imm;
```

Immediate range: 0 through 31.

3.8.1.23. Privileged instructions

These instructions are part of the trap and interrupt control support defined in the privileged ISA manual. The other part of this support is the CSRs ([Section 3.8.9](#)).

ebreak

Raise a breakpoint exception.

Usage:

```
ebreak
```

Operation:

```
raise_exception(4'h3); // Cause = ebreak
```

Compressible if: always.

Privilege requirements: any privilege level.

See [Section 3.8.4](#) for details of the RISC-V trap entry sequence. All exceptions trap into M-mode on Hazard3. The exception program counter `mepc` points to the start of the `ebreak` instruction.

An external debug host can catch the execution of breakpoint instructions. If the core is in M-mode, and `DCSR.EBREAKM` is set, the core enters Debug mode instead of taking the exception. In U-mode, `DCSR.EBREAKU` enables the same behaviour.

ecall

Environment call. Raise an exception to access a handler at a higher privilege level.

Usage:

```
ecall
```

Operation:

```
if (priv == 2'h3)
    raise_exception(4'hb); // Cause: Environment call from M-mode
else
    raise_exception(4'h8); // Cause: Environment call from U-mode
```

Privilege requirements: any privilege level.

See [Section 3.8.4](#) for details of the RISC-V trap entry sequence. All exceptions trap into M-mode on Hazard3. The exception program counter `mepc` points to the start of the `ecall` instruction.

mret

Return from M-mode trap.

Usage:

```
mret
```

Operation: execute the trap return sequence described in [Section 3.8.4](#).

Privilege requirements: M-mode only.

wfi

Wait for interrupt.

Usage:

```
wfi
```

Operation: pause execution until the processor is interrupted, or enters Debug mode.

Privilege requirements: M-mode is always permitted. U-mode is permitted if [MSTATUS.TW](#) is clear.

[wfi](#) ignores the global interrupt enable, [MSTATUS.MIE](#). It respects all other interrupt controls. For example:

- If [MIP.MEIP](#) is 1, [MIE.MEIE](#) is 1, and [MSTATUS.MIE](#) is 0, a [wfi](#) instruction falls through immediately without pausing.
- In this example, setting [MSTATUS.MIE](#) to 1 would cause the core to immediately take the interrupt.
- If no bit is set in both [MIP](#) and [MIE](#), the [wfi](#) stalls until there is at least one such bit.

When a [wfi](#) is interrupted, the exception return address [MEPC](#) points to the instruction following the [wfi](#).

When the debugger halts the core during a [wfi](#), [DPC](#) points to the instruction immediately following the [wfi](#) instruction. [wfi](#) executes as a no-op under instruction single-stepping (it does not stall), and under Debug-mode execution in the Program Buffer.

Hazard3's [MSLEEP](#) CSR controls additional power-saving measures the core can implement during a [wfi](#) sleep state.

3.8.2. Memory access

Hazard3 accesses memory within a 4 GB (2^{32} bytes) physical address space. There is no address translation. Each possible value of an integer register uniquely identifies a single byte in the physical address space. Multi-byte values occupy consecutive byte addresses.

3.8.2.1. Endianness

Hazard3 is always little-endian for all load and store accesses. RISC-V instruction fetch is always little-endian.

This means in a multi-byte access such as a [sw](#) instruction (four bytes are transferred), data stored at higher byte addresses has greater numerical significance. For example:

```
li a0, 0x0d0c0b0a           // materialise constant in register
la a4, some_global_variable // materialise address (assume addr % 4 == 0)
sw a0, (a4)                 // 4-byte write to memory
lbu a0, 0(a4)               // load byte from addr + 0: 0x0a
lbu a1, 1(a4)               // load byte from addr + 1: 0x0b
lbu a2, 2(a4)               // load byte from addr + 2: 0x0c
lbu a3, 3(a4)               // load byte from addr + 3: 0x0d
```

3.8.2.2. Physical memory attributes

The RP2350 address space has the following physical memory attributes:

Table 366. List of physical memory attributes for the RP2350 address space. Main SRAM supports all atomics, other addresses support none. Peripherals are non-idempotent, all other addresses are idempotent.

| Start | End | Description | Access | Atomicity | Idempotency |
|------------|------------|------------------------------|-------------------------------|--------------------------------|----------------|
| 0x00000000 | 0x00007fff | Boot ROM | No AMOs | RsrvNone, AMONone | Idempotent |
| 0x10000000 | 0x13ffffff | XIP, Cached | No AMOs | RsrvNone, AMONone | Idempotent |
| 0x14000000 | 0x17ffffff | XIP, Uncached | No AMOs | RsrvNone, AMONone | Idempotent |
| 0x18000000 | 0x1bffffff | XIP, Cache Maintenance | Write-only | RsrvNone, AMONone | Idempotent |
| 0x1c000000 | 0x1fffffff | XIP, Uncached + Untranslated | No AMOs | RsrvNone, AMONone | Idempotent |
| 0x20000000 | 0x20081fff | Main SRAM | Any | RsrvNonEventual, AMOArithmetic | Idempotent |
| 0x40000000 | 0x4fffffff | APB Peripherals | No AMOs, no instruction fetch | RsrvNone, AMONone | Non-idempotent |
| 0x50000000 | 0x5fffffff | AHB Peripherals | No AMOs, no instruction fetch | RsrvNone, AMONone | Non-idempotent |
| 0xd0000000 | 0xdfffffff | SIO Peripherals | No AMOs, no instruction fetch | RsrvNone, AMONone | Non-idempotent |

All addresses have Strong ordering. Any address not listed in Table 366 is a Vacant address. Accessing these addresses has no effect other than returning a bus fault.

Hazard3’s PMP implementation requires that non-read-idempotent PMAs are also non-executable, because it enforces execute permissions at the point an instruction is executed, rather than the point an instruction is fetched. Therefore all non-idempotent locations in Table 366 are also non-executable. This is enforced at a lower level than the PMP, and executing these addresses at any privilege level will always fault.

Cached XIP regions are not cacheable from a PMA point of view, because the cache is private to the memory controller. Each system address is served by either a single cache controller or none, so coherence between harts is irrelevant. You might have to perform manual cache maintenance following some operations like flash programming, but this is a detail of the XIP subsystem, not the system-level memory model.

For definitions of these attributes, see section 3.6 of the RISC-V privileged ISA manual linked in Section 3.8.1.1.

3.8.3. Memory protection

Hazard3 implements Physical Memory Protection (PMP). It does not implement the Sv32 virtual memory extension or its associated protections.

The PMP defines permissions for physical addresses. It mostly protects M-mode memory from S-mode and U-mode access. Hazard3 only implements M-mode and U-mode.

A PMP **region** applies read, write and execute permissions to a span of byte addresses. For each region there is one address register, `PMPADDR0` through `PMPADDR15`, and an 8-bit configuration field packed into `PMPCFG0` through `PMPCFG3`. The read, write and execute permissions are always enforced for U-mode. They may also be enforced for M-mode, depending on the `PMPCFG L` bit for that region, and the `PMPCFGM0` register.

RP2350 configures Hazard3’s PMP hardware with the following features:

- 8× dynamically configurable regions, 0 through 7
- 3× statically configured (hardwired) regions, 8 through 10
- (Remaining regions 11 through 15 are hardwired to OFF)
- A granule of 32 bytes
- Support for naturally aligned power of two (NAPOT) region shapes only
- The custom PMPCFGM0 CSR can apply M-mode permissions to individual regions without locking them

Section 3.8.8.1 defines the configuration of the hardwired regions 8 through 10. These regions apply default U-mode permissions to RP2350 ROM and peripherals, to avoid having to spend dynamic regions to cover these addresses. The system-level ACCESSCTRL registers (Section 10.6) can assign each peripheral individually to M-mode or U-mode.

When multiple PMP regions match the same byte address, the lowest-numbered of these regions takes effect. The other regions are ignored.

3.8.3.1. PMP address registers

Addresses in PMP address registers PMPADDR0 through PMPADDR15 are stored with a right-shift of two, so that they can cover a 16 GB physical address space when Sv32 address translation is in effect. Hazard3 does not implement address translation, so the physical address space is 4 GB (32-bit byte-addressed) and the two MSBs of each address register are hardwired to zero.

The RP2350 configuration of Hazard3 supports only the OFF and NAPOT values for the PMPCFG A fields (e.g. PMPCFG0.R0_A). Setting A to OFF means the region matches no bytes, and is effectively disabled. Setting A to NAPOT means the region matches on a naturally aligned span of bytes (the base address modulo the size is zero) whose size is a power of two.

The number of trailing 1s in the PMP address value encodes the size of an NAPOT region. This is the number of consecutive 1s counted from the LSB without reaching a 0. A PMP address value with no trailing ones (ending in a 0) matches a region eight bytes in size, and the region size is doubled with each additional 1 bit.

The PMP region matches on the address bits to the left of the least-significant 0 bit. Because the PMP address registers are right-shifted by two, you must apply the same shift to the addresses being compared. The following examples demonstrate how to match addresses based on PMPADDRx values:

- The 30-bit all-ones bit pattern 0x3fffffff has the maximum possible size, and matches all addresses.
- The all-zeroes bit pattern 0x00000000 has the minimum possible size.
 - Since there are no trailing 1s, this matches starting from bit 1 of the PMP address register.
 - Due to addresses being right-shifted by two, this is a region of eight bytes starting from address 0x0.
- The bit pattern 0x??????? (where ? is any digit) matches any 64-byte region.
 - Shift the base address of this 64-byte region by two to get bits 29:4 of the PMPADDRx value.
- The bit pattern 0x0800000f matches byte addresses between 0x20000000 and 0x2000007f, the first 128 bytes of SRAM.
 - Right-shift the base address (0x20000000) by two to get 0x08000000.
 - Add trailing ones to increase the region size and get the final value of 0x0800000f.
 - The size of the region is eight bytes times two to the power of the number of trailing 1 bits, which in this case (four 1s) works out to $8 \times 2^4 = 128$ bytes.

For more examples of PMP address match patterns, see the hardwired PMP region values in Section 3.8.8.1.

RP2350 configures Hazard3 with a **granule** of 32 bytes. This means the two least-significant bits of each PMP address register are hardwired to all-ones when the region is enabled. The hardware does not decode address regions smaller than 32 bytes.

3.8.3.2. PMP permissions

Each 8-bit PMP configuration field contains three permission flags:

- **R** permits non-instruction-fetch reads:
 - load instructions
 - the read phase of AMOs
- **W** permits writes:
 - store instructions
 - the write phase of AMOs
- **X** permits instruction execution

A **1** value for each permission means it is granted, and a **0** means it is revoked. These permissions apply to U-mode access to the region. They also apply to M-mode accesses when any of the following is true:

- The **L** (lock) configuration bit is **1**
- The Hazard3 custom **PMPCFGM0** register bit for this region is **1**

The **L** (lock) bit also locks the associated PMP address register and 8-bit PMP configuration field, so that it ignores future writes. You should always lock PMP regions consecutively from region **0**, so that locked regions cannot be bypassed by unlocked regions.

U-mode accesses that match no PMP regions have no permissions: all memory accesses fail. M-mode accesses that match no PMP regions have *all* permissions. The hardwired PMP regions in [Section 3.8.8.1](#) define additional U-mode permissions for the ROM and peripheral address ranges: these can be overridden by enabling any of the dynamically configured regions.

i NOTE

Due to [RP2350-E6](#) the field order in the PMP configuration fields is **R, W, X** (MSB-first) rather than the standard **X, W, R**. The SDK register headers match the as-implemented order.

3.8.3.3. Accesses spanning multiple PMP regions

Hazard3 does not support non-naturally-aligned loads or stores, other than to generate standard exceptions when they are attempted. Since **NAP0T** PMP regions are always naturally aligned, it is impossible for a load or store to span two PMP regions. Therefore, all bytes covered by a load or store instruction are determined by at most a single active PMP region that matches the lowest byte address accessed by that instruction.

Instructions are up to 32 bits in size with as little as 16-bit alignment. Therefore it is possible for an instruction to match multiple PMP regions. When this happens, the instruction generates an instruction fault exception, (**mcause** = **0x1**), *unless* there is a lower-numbered PMP region that fully covers the instruction. Lower-numbered PMP regions take precedence.

The exact quote from the privileged ISA specification is: *"The lowest-numbered PMP entry that matches any byte of an access determines whether that access succeeds or fails. The matching PMP entry must match all bytes of an access, or the access fails, irrespective of the L, R, W, and X bits."* (page 60 of RISC-V privileged ISA manual version 20211203).

The RISC-V specification is flexible in what is considered a single access for the purposes of memory protection checking. Hazard3 considers the fetch of one instruction to be a single access. It therefore forbids instruction fetches that straddle two PMP regions, even if both regions grant execute permission. Due to this architecture rule, portable RISC-V software *must not* assume it can execute instructions that span multiple PMP regions.

Avoid this issue by using *hole-punching* region configurations in preference to *glueing* configurations. Suppose you want to cover the first 12 kB of SRAM (**0x20000000** → **0x20002fff**), this can be achieved in two ways:

- One region adding permissions to **0x20000000** → **0x20001fff**, and another region adding permissions to **0x20002000** → **0x20002fff**

- One region adding permissions to `0x20000000` → `0x20003fff`, and a lower-numbered region *subtracting* permissions from `0x20003000` → `0x20003fff`

The former option has a crack between the two regions, which has potentially unwanted effects on some platforms. The latter avoids this issue entirely.

3.8.4. Interrupts and exceptions

In the RISC-V privileged ISA manual, a **trap** refers to either an interrupt or an exception:

Interrupt

A signal from outside the processor requests that it temporarily abandons its current task to deal with some system-level event. The processor responds by transferring control to an interrupt handler function.

Exception

An instruction encounters a condition that prevents that instruction from completing normally. The processor transfers control to an exception handler function to deal with the exceptional condition before it can resume execution.

The two are closely related, and they are collectively referred to as traps to avoid stating everything twice.

Hardware performs the following steps automatically and atomically when entering a trap:

1. Save the address of the interrupted or excepting instruction to `MEPC`
2. Set the MSB of `MCAUSE` to indicate the cause is an interrupt, or clear it to indicate an exception
3. Write the detailed trap cause to the LSBs of the `MCAUSE` register
4. Save the current privilege level to `MSTATUS.MPP`
5. Set the privilege to M-mode (note Hazard3 does not implement S-mode)
6. Save the current value of `MSTATUS.MIE` to `MSTATUS.MPIE`
7. Disable interrupts by clearing `MSTATUS.MIE`
8. Jump to the correct offset from `MTVEC` depending on the trap cause

i NOTE

The above sequence of events is standard and is also described in the RISC-V Privileged ISA Manual. See [Section 3.8.1.1](#) for a list of links to RISC-V specifications.

All earlier instructions than the one pointed to by `MEPC` execute normally, and their effects are visible to the trap handler. These earlier instructions are not affected by the exception or interrupt. On the other hand the instruction pointed to by `MEPC`, and all later instructions, does not execute before entering the trap handler. These instructions have no visible side effects, with the possible exception of load/store fault exceptions, where the bus fault itself may have observable effects on the bus or peripheral.

Expanding on the `MEPC` behaviour in architectural terms, all traps are **precise**, meaning there exists some point in program order where the trap handler observes all earlier instructions to have retired and all later instructions to have not. The `MEPC` register indicates this point. All exceptions are also **synchronous**, meaning there is a particular instruction that originated the trap, and the trap architecturally takes place in between that instruction and its predecessors in program order.

M-mode software executes an `mret` instruction to return to the interrupted or excepting instruction at the end of a handler. This largely reverses the process of entering the trap:

1. Restore core privilege level to the value of `MSTATUS.MPP`
2. Write `0` (U-mode) to `MSTATUS.MPP`

3. Restore `MSTATUS.MIE` from `MSTATUS.MPIE`
4. Write 1 to `MSTATUS.MPIE`
5. Jump to the address in `MEPC`.

Often, the values restored on exit are exactly those values saved on entry. However this need not be the case, as all CSRs mentioned above are read/writable by M-mode software at any time. Hand-manipulating the trap handling CSRs is useful for low-level OS operations such as context switching, or to make exception handlers return to the instruction after the trap point by incrementing `MEPC` before return. You can execute an `mret` without any prior trap, for example when entering U-mode code from M-mode for the first time.

Hardware does not save or restore any other registers. In particular, it does not save the core GPRs, and software is responsible for ensuring the execution of the handler does not perturb the foreground context. For an interrupt, this may mean saving the core registers on the interruptee’s stack, or using the `MSCRATCH` CSR to swap the stack pointer before saving registers on a dedicated interrupt stack. For a fatal exception this may be unimportant, as there is no requirement for the handler to return.

3.8.4.1. Exceptions

Exceptions occur for a variety of reasons. `MCAUSE` indicates the specific reason for the latest exception:

| Cause | Meaning |
|-------|--|
| 0x0 | Instruction alignment: Does not occur on RP2350, because 16-bit compressed instructions are implemented, and it is impossible to jump to a byte-aligned address. |
| 0x1 | Instruction fetch fault: Attempted to fetch from an address that does not support instruction fetch (like APB/AHB peripherals on RP2350), or lacks PMP execute permission, or is forbidden by <code>ACCESSCTRL</code> , or returned a fault from the memory device itself. |
| 0x2 | Illegal instruction: Encountered an instruction that was not a valid RISC-V opcode implemented by this processor, or attempted to access a nonexistent CSR, or attempted to execute a privileged instruction or access a privileged CSR without sufficient privilege. |
| 0x3 | Breakpoint: An <code>ebreak</code> or <code>c.ebreak</code> instruction was executed, and no external debug host caught it (<code>DCSR.EBREAKM</code> or <code>DCSR.EBREAKU</code> was not set). |
| 0x4 | Load alignment: Attempted to load from an address that was not a multiple of access size. |
| 0x5 | Load fault: Attempted to load from an address that does not exist, or lacks PMP read permissions, or is forbidden by <code>ACCESSCTRL</code> , or returned a fault from a peripheral. |
| 0x6 | Store/AMO alignment: Attempted to write to an address that was not a multiple of access size. |
| 0x7 | Store/AMO fault: Attempted to write to an address that does not exist, or lacks PMP write permissions, or is forbidden by <code>ACCESSCTRL</code> , or returned a fault from a peripheral. Also raised when attempting an AMO on an address that does not support AHB5 exclusives. |
| 0x8 | An <code>ecall</code> instruction was executed in U-mode. |
| 0xb | An <code>ecall</code> instruction was executed in M-mode. |

Exceptions jump to exactly the address of `MTVEC`, no matter the cause and no matter whether vectoring is enabled.

The `MSTATUS.MIE` global interrupt enable does not affect exception entry. You can still take an exception and trap into the exception handler when exceptions are disabled.

Returning from an exception will jump to `MEPC`, which hardware sets to the address of the excepting instruction before entering the exception handler. This means by default you will return to the exact same instruction that caused the exception. When emulating illegal instructions, you should increment `mepc` before returning, so that execution resumes after the problematic instruction.

Hazard3 hardwires `mtval` to zero. To emulate a misaligned load/store instruction you must decode the instruction and

read the spilled register state to calculate the address, and to emulate an illegal instruction you must read the instruction bits from memory yourself by dereferencing `mepc`.

3.8.4.2. Interrupts

Hazard3 implements the standard RISC-V interrupt scheme with a single external interrupt routed to `MIP.MEIP`, and the standard timer and soft interrupts routed to `MTIP` and `MSIP`. An interrupt controller such as a standard RISC-V PLIC can be integrated externally to route multiple interrupts through to the single external interrupt line. Alternatively, the Hazard3 interrupt controller (see `Xh3irq` extension, [Section 3.8.6.1](#)) multiplexes multiple external interrupts onto `MIP.MEIP` in such a way that interrupts can efficiently pre-empt one another, with configurable dynamic priority per interrupt.

RP2350 configures Hazard3 with the `Xh3irq` interrupt controller, with 52 external interrupt lines and 16 levels of pre-emption priority. The IRQ numbers for the system-level interrupts, documented in [Section 3.2](#), are the same on both Arm and RISC-V.

The core enters an interrupt when all of the following are true:

- `MSTATUS.MIE` is set
- An interrupt pending bit in the standard `MIP` CSR is set
- The matching interrupt enable in the standard `MIE` CSR is also set

When vectoring is disabled (LSB of `MTVEC` is clear), interrupts transfer control directly to the address indicated by `mtvec`. Setting the LSB enables vectoring: interrupts transfer control to the address `mtvec + 4 * cause`, where the interrupt cause is one of:

- `mepc: cause = 11`
- `mtip: cause = 7`
- `msip: cause = 3`

The pointer written to `mtvec` must be word-aligned (4 bytes). Additionally, when vectoring is enabled, it must be aligned to the size of the table, rounded up to a power of two. This works out to 64-byte alignment. On RP2350, `mtvec` is fully writable except for bit 1, which is hardwired to zero as it is only used for additional vectoring modes not supported by Hazard3.

When multiple interrupts are active, hardware picks one to enter, in the order `mepc > msip > mtip`. (This is not quite the same order as the cause values.)

3.8.4.2.1. RISC-V interrupt signals

The standard timer interrupt `MIP.MTIP` connects to the RISC-V platform timer in the SIO subsystem ([Section 3.1.8](#)). This is a 64-bit timer with a per-core 64-bit comparison value. The interrupt is asserted whenever the timer is greater than or equal to the comparison value, and de-asserts automatically when less than. The same interrupt signal also appears in the system-level IRQs, as `SIO_IRQ_MTIMECMP` (IRQ 29). The timer is a standard RISC-V peripheral, often used by operating systems to generate context switch interrupts.

The standard software interrupt `MIP.MSIP` connects to the `RISCV_SOFTIRQ` register in the SIO subsystem. The register has a single bit per hart, which asserts the soft IRQ interrupt to that hart. This can be used to interrupt the other hart, or to interrupt yourself as though the other hart had interrupted you, which can help to make handler code more symmetric. On RP2350 there is a one-to-one correspondence between harts and cores, so you could equivalently say there is one soft IRQ per core.

Hazard3's internal interrupt controller drives the `MIP.MEIP` external interrupt pending bit based on its internal state and the system-level interrupt signals, to transfer control to the interrupt vector when it is both safe and necessary. [Section 3.8.6.1](#) describes the `Xh3irq` interrupt controller in depth.

3.8.4.2.2. Interrupt calling convention

The default SDK `hardware_irq` library expects function pointers registered for system-level IRQs to be normal C functions. There must be no `__attribute__((interrupt))` on an interrupt handler passed into functions such as `set_exclusive_irq_handler()`. This is an API detail that is consistent across all architectures supported by the SDK. Using regular C calling convention is also efficient under heavy interrupt load, because the cost of saving/restoring all caller save and temporary registers can be amortised over multiple interrupt handlers due to tail sharing, and a save triggered by a low-priority IRQ can be taken over by a high-priority IRQ that asserted during the save.

Conversely, handlers registered for the standard RISC-V `mtip` and `msip` interrupts via the SDK `irq_set_riscv_vector_handler()` function must be `__attribute__((interrupt))`. In terms of the generated code, this means they should use save-as-you-go calling convention, and end with an `mret`. These interrupts are entered directly by the hardware without any intermediate dispatch code.

As software is responsible for the dispatch to individual system interrupt handlers from the `meip` vector, it is possible to support other interrupt calling conventions by supplying a different implementation for the dispatch.

3.8.5. Debug

RISC-V debug specification

Hazard3 implements version 0.13.2 of the RISC-V External Debug Support specification, available at:

riscv.org/wp-content/uploads/2019/03/riscv-debug-release.pdf

RP2350 implements a single RISC-V Debug Module, which enables debug access to the two Hazard3 processor instances. Hazard3 should be supported by any debug translator implementing version 0.13.2 of the RISC-V External Debug Support specification, but some details of its implementation-defined behaviour are described here for completeness. The Debug Module source code, available in the Hazard3 repository, can be consulted to answer more detailed questions about the debug implementation.

As configured on RP2350, Hazard3 supports the following standard RISC-V debug features:

- Run/halt/reset control of each processor
- Halt-on-reset support for all processors
- Hart array mask register, for halting/resuming multiple processors simultaneously
- Abstract access to GPRs
- Program Buffer: 2 words with an implicit `ebreak` (`impebreak`)
- Automatic trigger of abstract commands (`abstractauto`)
- System Bus Access, arbitrated with core 1's load/store port
- An instruction address trigger unit with four hardware breakpoints

3.8.5.1. Accessing the Debug Module

The Debug Module is accessed through a CoreSight APB-AP, which can be accessed in one of two ways:

- Externally, through the system's SW-DP (see [Section 3.5](#))
- Internally, via self-hosted debug (see [Section 3.5.6](#))

The APB-AP for the Debug Module is located at offset `0xa000` in the debug address space. The Debug Module starts at address 0 in the APB-AP's downstream address space. The Debug Module addresses registers in increments of four bytes, as APB is byte-addressed rather than word-addressed. This means the Debug Module register addresses listed in the RISC-V debug specification must be multiplied by four.

3.8.5.2. Harts

Each Hazard3 core possesses exactly one hardware thread, or **hart**. This means each processor executes only a single stream of instructions at a time. The two Hazard3 processor cores on RP2350, core 0 and 1, have hart IDs of 0 and 1 respectively. These values can be read from the `MHARTID` register on each processor, and match the values read from the `CPUID` register in SIO.

The `dmcontrol.hartsel` field in RP2350's Debug Module supports writing the values 0 and 1 only (it implements only a single writable bit), and these correspond to hart IDs 0 and 1, which execute on core 0 and core 1 respectively.

3.8.5.3. Resets

The `dmcontrol.hartreset` field resets the selected cores only. This can be a single core selected by `dmcontrol.hartsel`, or multiple cores selected by the hart array mask. It does not reset cores that are not selected, nor does it reset any other system hardware. There is a one-to-one correspondence between harts and cores on this system.

The `dmcontrol.ndmreset` field resets both cores. It does not reset any other hardware. As per the specification: *"Exactly what is affected by this reset is implementation dependent, as long as it is possible to debug programs from the first instruction executed."*

3.8.5.4. Implementation-defined behaviour

The following are not implemented:

- Abstract access memory
- Abstract access CSR
- Post-incrementing abstract access GPR

The core behaves as follows:

- Branch, `jal`, `jalr` and `auipc` are illegal in Debug mode, because they observe PC: attempting to execute will halt Program Buffer execution and report an exception in `abstractcs.cmderr`
- The `dret` instruction is not implemented (a special purpose DM-to-core signal is used to signal resume)
- The `dscratch` CSRs are not implemented
- The Debug Module's `data0` register is mapped into the core as a CSR, `DMDATA0`
- `dcsr.stepie` is hardwired to 0 (no interrupts during single stepping)
- `dcsr.stopcount` and `dcsr.stoptime` are hardwired to 1 (no counter or internal timer increment in Debug mode)
- `dcsr.mprven` is hardwired to 0
- `dcsr.prv` accepts only the values 3 (M-mode) and 0 (U-mode), rounding to nearest on write

For more details on the core-side Debug mode registers, see `DCSR` and `DPC`.

The trigger unit implements four exact instruction address match triggers. Triggers can be configured to trap to M-mode as well as Debug-mode, meaning M-mode can use triggers for self-hosted hardware breakpoint support. The `tcontrol.mte` and `tcontrol.mpte` fields are implemented to avoid infinite exception loops when an M-mode trigger is set on the M-mode exception handler.

3.8.6. Custom extensions

Hazard3 implements a small number of custom extensions. All are optional: custom extensions are only included if the relevant feature flags are set to 1 when instantiating the processor (Section 3.8.8). Hazard3 is always a **conforming** RISC-V implementation; when these extensions are disabled, it is also a **standard** RISC-V implementation.

If any one of these extensions is enabled, the `x` bit in `MISA` is set to indicate the presence of a non-standard extension.

3.8.6.1. Xh3irq: Hazard3 interrupt controller

Xh3irq controls up to 512 external interrupts, with up to 16 levels of pre-emption. It is architected as a layer on top of the standard `mip.meip` external interrupt line, and all standard RISC-V interrupt behaviour still applies. This extension adds no new instructions, but does add several CSRs:

- `MEIEA`: external interrupt enable array
- `MEIPA`: external interrupt pending array
- `MEIFA`: external interrupt force array
- `MEIPRA`: external interrupt priority array
- `MEINEXT`: get next external interrupt
- `MEICONTEXT`: external interrupt context register

Xh3irq is geared towards supporting interrupt handlers as bare C functions, with dispatch implemented in software and pre-emption priority logic implemented in hardware. However, the exact interrupt ABI is up to the implementation of the soft dispatch routine installed as the `mip.meip` external interrupt handler.

3.8.6.1.1. Array CSRs

RISC-V CSRs are ideal for interrupt controls because they are closely coupled to the processor, offer native atomic set/clear accesses, and can be accessed in a single instruction without first having to materialise an address. However there are issues with using CSRs for large bit arrays, such as interrupt enables:

- The CSR address space is limited
- CSRs can not be addressed indirectly, so are difficult to iterate over
- Using a CSR to index other CSRs is problematic for interrupt handlers due to additional mutable state

Xh3irq uses the **array CSR** idiom to expose a large bit vector at a single CSR address, such as `MEIEA`. The upper half of the CSR is a 16-bit window into the array, and the window is indexed by the LSBs of the write data for the same CSR instruction.

For example, the following assembly code writes `0xa5a5` to bits `47:32` of the interrupt enable array, since the window index is `0x2` and the window is 16 bits in size:

```
li a0, 0xa5a50002
csw RVCSR_MEIEA_OFFSET, a0
```

The following reads bits `63:48` of the interrupt pending array into register `a0`, since the index is `0x3`, and a CSR set of `0x0000` does not modify the window contents:

```
crrsi a0, RVCSR_MEIPA_OFFSET, 0x3
```

Setting an arbitrary IRQ enable from C works as follows:

```
void enable_irq(uint irq) {
    uint index = irq / 16;
    uint32_t mask = 1u << (irq % 16);
    asm (
```



```

        "csrs 0xbe0, %0\n"
        : : "r" (index | (mask << 16))
    );
}

```

Getting an arbitrary IRQ pending flag from C is as follows:

```

bool check_irq_pending(uint irq) {
    uint index = irq / 16;
    uint32_t csr_rdata;
    asm (
        "csrrs %0, 0xbe1, %1\n"
        : "=r" (csr_rdata)
        : "r" (index)
    );
    csr_rdata >>= 16;
    return csr_rdata & (1u << (irq % 16));
}

```

The SDK implements similar operations in the `hardware_irq` API.

Hazard3 supports up to 512 interrupts, which is one 16-bit window for each of the possible values of a 5-bit CSR immediate.

3.8.6.1.2. Enable, pending, and force arrays

The `MEIEA`, `MEIPA` and `MEIFA` CSRs expose the interrupt enable, pending and force arrays respectively. Each array contains one bit per system-level interrupt line, of which there are 52 lines in total. (See [Section 3.2](#) for the assignment of system IRQ numbers to peripherals.)

The interrupt enable array gates the entry of interrupt signals into the core. When a bit is clear in `MEIEA`, the corresponding interrupt signal is ignored. When a bit is set, assertion of the corresponding interrupt signal will send the core to the `meip` vector as soon as it is safe and appropriate to do so. From there, the `meip` handler vectors to the correct handler, after saving the interruptee's context.

The SDK `irq_set_enabled()` function in the `hardware_irq` library is a convenient way to manipulate the interrupt enable array.

The interrupt pending array displays the current status of the system-level interrupt signals. Interrupts are visible in `MEIPA` even if the corresponding bit is clear in `MEIEA`, and even if the interrupt has insufficient priority to interrupt the core at this time. This register is read-only: bits in `MEIPA` clear automatically when the corresponding interrupt source de-asserts. For example, a UART RX FIFO interrupt should clear on its own after data has been read from the FIFO.

The interrupt force array causes interrupts to appear pending, even when the corresponding system-level interrupt signal is de-asserted. When a bit is set in `MEIFA`, the corresponding bit in `MEIPA` reads as 1, and will interrupt the core if it meets the usual prerequisites.

`MEIFA` bits clear automatically when the corresponding interrupt is sampled from `MEINEXT`. It is not necessary to write a 1 bit to `MEINEXT.UPDATE` for the interrupt force bit to clear. This means setting an `MEIFA` bit should cause the interrupt to be taken *once*. Normal `csrw` and `csrc` instructions will also clear `MEIFA`.

Six spare interrupt lines 46 through 51, referred to as `SPAREIRQ_IRQ_0` through `SPAREIRQ_IRQ_5` in the SDK, deliberately do not connect to system-level hardware. However they are still fully implemented in the interrupt controller, and fire when set pending in `MEIFA`. For example, a fast interrupt top-half handler can schedule its longer-running bottom half to run at a lower priority, or a high-priority context switch interrupt might schedule a context switch to take place at a lower priority in order to clear interrupt frames off the stack.

3.8.6.1.3. Next interrupt register

MEINEXT always displays the next interrupt that should be handled, taking priority order into account. Interrupts appear in **MEINEXT** when they meet all of the following criteria:

1. Pending in **MEIPA**
2. Enabled in **MEIEA**
3. Of priority greater than or equal to **MEICONTEXT.PPREEMPT**

The value returned is the IRQ number of the highest-priority interrupt that meets these three criteria, left-shifted by two. When multiple interrupts have the highest priority, the lowest-numbered of those interrupts is chosen, as a tie-break.

The MSB of **MEINEXT** is set to indicate there were no eligible interrupts, and the remaining bits are undefined in this case. Software should repeatedly read **MEINEXT** until all available interrupts are exhausted. The **bltz** and **bgez** instructions are a convenient way to test the MSB of a register.

The purpose of rule 3 above is to ensure that any interrupt that may already be in progress in a pre-empted interrupt frame is not re-entered in the current frame. Without this rule, multiple executions of the same interrupt handler could be interleaved due to pre-emption by other handlers. Programmers are usually surprised when this happens.

MEINEXT.UPDATE is a write-only field which instructs hardware to update **MEICONTEXT** with information about the interrupt displayed in **MEINEXT** on that cycle. [Section 3.8.6.1.5](#) goes into more detail about context register updates.

! IMPORTANT

MEINEXT is constantly changing as interrupt signals come and go. The write to **MEINEXT.UPDATE** must be the *same instruction* that reads the interrupt index from **MEINEXT** to avoid a data race. This can be achieved with a **csrrw** or **csrrwi** instruction.

3.8.6.1.4. Interrupt priority

The interrupt priority array **MEIPRA** implements a four-bit field per interrupt. In hardware, numerically higher (unsigned) **MEIPRA** values have higher priority, taking precedence over lower-priority interrupts. The `irq_set_priority()` SDK function uses the opposite convention, with lower numeric values indicating greater precedence. This section uses the hardware numbering.

The interrupt priority in **MEIPRA** determines three things:

1. Whether the interrupt source is permitted to interrupt the core at this moment: must be greater than or equal to **MEICONTEXT.PREEMPT**
2. Whether the interrupt source can appear in **MEINEXT**: must be greater than or equal to **MEICONTEXT.PPREEMPT**
3. What order this interrupt will appear in when there are multiple candidates for **MEINEXT**

When **MEICONTEXT** is correctly saved and restored, **PREEMPT** and **PPREEMPT** are both zero outside of interrupt handlers, and **PREEMPT** is strictly greater than **PPREEMPT** when inside an interrupt handler. Together they define the band of interrupt priorities which may be processed without any pushing or popping of interrupt stack frames.

Manipulating interrupt priority outside of interrupts is safe. There is no need to disable interrupts when writing to the priority array. Manipulating interrupt priority *inside* of an interrupt handler requires care: hardware operation is well-defined, but the results can be surprising. Be wary of the following cases:

1. Increasing the priority of the current handler: if still enabled and pending, you will instantly pre-empt yourself.
2. Increasing the priority of a different interrupt, with priority lower than **MEICONTEXT.PPREEMPT**: this interrupt may already be in progress in a frame that was pre-empted in order to run your handler. Increasing the priority may cause it to execute in a higher frame before returning to the original frame where it is still in progress, thereby interleaving with its own execution.

PPREEMPT is guaranteed to be no greater than the current handler priority if **MEICONTEXT** is correctly saved/restored, since it contains the previous value of **PREEMPT** at the time a pre-emption took place, and interrupts lower than

PREEMPT can not interrupt the core. Therefore a safe approximation for case 2 above is: do not increase (by any amount) the priority of a handler with lower priority than the currently running handler.

If an interrupt *must* increase the priority of a lower-priority interrupt, one solution is to queue up interrupt priority updates, and pend a lowest-priority handler assigned to one of the spare IRQs, which processes the enqueued updates. You can pend this handler manually by setting its bit in `MEIFA`. The handler will run last thing before returning to foreground code. This is safe because an interrupt of the lowest priority by definition can not have pre-empted any other interrupts.

3.8.6.1.5. Interrupt context management

The `MEICONTEXT` register has two functions: manage the core pre-emption priority across multiple pre-empting interrupt stack frames, and help software track which interrupt handler it is currently executing, if any.

`MEICONTEXT.PREEMPT`, `MEICONTEXT.PPREEMPT` and `MEICONTEXT.PPPREEMPT` form a three-level stack of pre-emption priorities:

- `PREEMPT` sets the minimum interrupt priority which interrupts the core
- `PPREEMPT` sets the minimum interrupt priority which appears in `MEINEXT`: this avoids redundant execution of interrupt handlers which may have been pre-empted
- `PPPREEMPT` has no hardware function other than save/restore of `PPREEMPT`

When entering the `MIP.MEIP` vector, hardware atomically performs the following updates to `MEICONTEXT` simultaneous to the standard trap entry sequence described in [Section 3.8.4](#):

1. Save the current value of `MEICONTEXT.PPREEMPT` to `PPPREEMPT`
2. Save the current value of `MEICONTEXT.PREEMPT` to `PPREEMPT`
3. Write one plus the priority of the IRQ which caused this interrupt to `MEICONTEXT.PREEMPT`
4. Write 1 to `MEICONTEXT.MRETEIRQ`, to enable priority restore on next `mret`

The standard trap entry sequence includes clearing `MSTATUS.MIE`, so interrupts are disabled at the start of the handler. To implement pre-emption, the `MIP.MEIP` handler must re-enable interrupts after its context save critical section. This should include saving `MEICONTEXT`, `MSTATUS`, `MEPC`, and the caller-saved general-purpose registers.

Any trap entry not caused by `MIP.MEIP` clears `MRETEIRQ`. Trap exit (`mret`) also clears `MRETEIRQ`.

A trap exit where `MEICONTEXT.MRETEIRQ` is set atomically performs the following updates to `MEICONTEXT` simultaneous to the standard trap exit sequence:

1. Restore `MEICONTEXT.PREEMPT` from `MEICONTEXT.PPREEMPT`
2. Restore `MEICONTEXT.PPREEMPT` from `MEICONTEXT.PPPREEMPT`
3. Write 0 to `MEICONTEXT.PPPREEMPT`

The `MRETEIRQ` flag allows hardware to match each `MIP.MEIP` vector entry with its associated `mret`. This balances pushes and pops of the `PREEMPT` priority stack. When there is no pre-emption, and no exceptions raised within interrupt handlers, `MRETEIRQ` can be left in place in the `MEICONTEXT.MRETEIRQ` register. Otherwise, you must save `MEICONTEXT` upon entering the external interrupt vector and restore it before the `mret` at the end of the handler. Interrupts must be disabled during save/restore.

Writing 1 to `MEINEXT.UPDATE` updates `MEICONTEXT` as follows:

1. Write `MEINEXT.NOIRQ` to `MEICONTEXT.NOIRQ`
2. Write `MEINEXT.IRQ` (the IRQ number) to `MEICONTEXT.IRQ`
3. If `MEINEXT.NOIRQ` is...
 - Clear: Write one plus the priority of `MEINEXT.IRQ` to `MEICONTEXT.PREEMPT`

- Set: Write `0x10` to `MEICONTEXT.PREEMPT` (greater than any interrupt priority in `MEIPRA`)

`MEICONTEXT.IRQ` and `NOIRQ` help code determine in which interrupt handler it is running. `MEICONTEXT` should be saved/restored by interrupts which pre-empt the current one, so is safe to check these fields *during* the handler.

The update to `MEICONTEXT.PREEMPT` upon writing `MEINEXT.UPDATE` ensures the core will be pre-empted by interrupts higher-priority than the one it is about to enter. Equally important, it ensures the core is *not* pre-empted by lower or equal priority interrupts, including the one whose handler it is about to enter.

To avoid awkward interactions between the `MIP.MEIP` handler, which should be aware of the `Xh3irq` extension, and the `MTIP/MSIP` handlers, which may not be, it's best to avoid pre-emption of the former by the latter. `MEICONTEXT.CLEARTS`, `MTIESAVE` and `MSIESAVE` support disabling and restoring the timer/software interrupt enables as part of the `MEICONTEXT` CSR accesses that take place during context save/restore in the `MEIP` handler.

3.8.6.1.6. Minimal handler example

This example demonstrates a minimal `meip` handler which dispatches to an array of C-function interrupt handlers, without enabling pre-emption. In this case the priorities configured in `MEIPRA` still determine the order in which interrupts are entered when multiple are asserted, but when an interrupt handler starts running, no other interrupts are serviced until that handler completes.

```
#include "hardware/regs/rvcsr.h"

isr_riscv_machine_external_irq:
    // Save all caller saves and temporaries before entering a C ABI function.
    // Note mstatus.mie is cleared by hardware on interrupt entry, and
    // we're going to leave it clear.
    addi sp, sp, -64
    sw ra, 0(sp)
    sw t0, 4(sp)
    sw t1, 8(sp)
    sw t2, 12(sp)
    sw a0, 16(sp)
    sw a1, 20(sp)
    sw a2, 24(sp)
    sw a3, 28(sp)
    sw a4, 32(sp)
    sw a5, 36(sp)
    sw a6, 40(sp)
    sw a7, 44(sp)
    sw t3, 48(sp)
    sw t4, 52(sp)
    sw t5, 56(sp)
    sw t6, 60(sp)

get_first_irq:
    // Sample the current highest-priority active IRQ (left-shifted by 2) from
    // meinext. Don't set the `update` bit as we aren't saving/restoring meicontext --
    // this is fine, just means you can't check meicontext to see whether you are in an IRQ.
    csrr a0, RVCSR_MEINEXT_OFFSET

    // MSB will be set if there is no active IRQ at the current priority level
    bltz a0, no_more_irqs
no_more_irqs:
dispatch_irq:
    // Load indexed table entry and jump through it. No bounds checking is necessary
    // because the hardware will not return a nonexistent IRQ.
    lui a1, %hi(__soft_vector_table)
    add a1, a1, a0
    lw a1, %lo(__soft_vector_table)(a1)
    jalr ra, a1
get_next_irq:
```

```

// Get the next-highest-priority IRQ
csrr a0, RVCSR_MEINEXT_OFFSET
// MSB will be set if there is no active IRQ at the current priority level
bgez a0, dispatch_irq

no_more_irqs:
// Restore saved context and return from IRQ
lw ra, 0(sp)
lw t0, 4(sp)
lw t1, 8(sp)
lw t2, 12(sp)
lw a0, 16(sp)
lw a1, 20(sp)
lw a2, 24(sp)
lw a3, 28(sp)
lw a4, 32(sp)
lw a5, 36(sp)
lw a6, 40(sp)
lw a7, 44(sp)
lw t3, 48(sp)
lw t4, 52(sp)
lw t5, 56(sp)
lw t6, 60(sp)
addi sp, sp, 64
mret

// Array of function pointers for interrupt handlers
.section ".bss"
.p2align 2
.global __soft_vector_table
__soft_vector_table:
.space 52 * 4

```

Since the handler loops on `meinext` until no more interrupts are pending, multiple interrupts are processed with a single save/restore of the caller saves and temporaries.

The pending status of each IRQ in `MEIPA` clears when the corresponding peripheral de-asserts its interrupt output. A correctly programmed interrupt handler should cause the peripheral interrupt to de-assert, so each successive read from `meinext` will return a new interrupt. Because `meinext` always returns the highest-priority active interrupt, this loop iterates over active interrupts in descending priority order.

The overhead of performing the register save/restore in software is minimal because the save/restore routine is limited by bus bandwidth, not by instruction execution overhead. This also makes the hardware more flexible because the same hardware can support multiple interrupt ABIs.

3.8.6.2. Xh3pmpm: M-mode PMP regions

This extension adds a new M-mode CSR, `PMPCFGM0`, which allows a PMP region to be enforced in M-mode without locking the region.

This is useful when the PMP is used for non-security-related purposes such as stack guarding, or trapping and emulation of peripheral accesses.

3.8.6.3. Xh3power: Hazard3 power management

This extension adds a new M-mode CSR (`MSLEEP`), and two new hint instructions, `h3.block` and `h3.unblock`, in the `s1t` nop-compatible custom hint space.

The `msleep` CSR controls how deeply the processor sleeps in the WFI sleep state. By default, a WFI is implemented as a

normal pipeline stall. By configuring `msleep` appropriately, the processor can gate its own clock when asleep or, with a simple 4-phase req/ack handshake, negotiate power up/down of external hardware with an external power controller. These options can improve the sleep current at the cost of greater wakeup latency.

The hints allow processors to sleep until woken by other processors in a multiprocessor environment. They are implemented on top of the standard WFI state, which means they interact in the same way with external debug, and benefit from the same deep sleep states in `msleep`.

3.8.6.3.1. h3.block

Enter a WFI sleep state until either an unblock signal is received, or an interrupt is asserted that would cause a WFI to exit.

If `mstatus.tw` is set, attempting to execute this instruction in privilege modes lower than M-mode will generate an illegal instruction exception.

If an unblock signal has been received in the time since the last `h3.block`, this instruction executes as a `nop`, and the processor does not enter the sleep state. Conceptually, the sleep state falls through immediately because the corresponding unblock signal has already been received.

An unblock signal is received when a neighbouring processor (the exact definition of "neighbouring" being left to the implementer) executes an `h3.unblock` instruction, or for some other platform-defined reason.

This instruction is encoded as `slt x0, x0, x0`, which is part of the custom nop-compatible hint encoding space.

Example C macro:

```
#define __h3_block() asm ("slt x0, x0, x0")
```

Example assembly macro:

```
.macro h3.block
    slt x0, x0, x0
.endm
```

3.8.6.3.2. h3.unblock

Post an unblock signal to other processors in the system. For example, to notify another processor that a work queue is now non-empty.

If `mstatus.tw` is set, attempting to execute this instruction in privilege modes lower than M-mode will generate an illegal instruction exception.

This instruction is encoded as `slt x0, x0, x1`, which is part of the custom nop-compatible hint encoding space.

Example C macro:

```
#define __h3_unblock() asm ("slt x0, x0, x1")
```

Example assembly macro:

```
.macro h3.unblock
    slt x0, x0, x1
.endm
```

3.8.6.4. Xh3bextm: Hazard3 bit extract multiple

This is a small extension with multi-bit versions of the "bit extract" instructions from Zbs, used for extracting small, contiguous bit fields.

3.8.6.4.1. h3.bextm

"Bit extract multiple", a multi-bit version of the `bext` instruction from Zbs. Perform a right-shift followed by a mask of 1-8 LSBs.

Encoding (R-type):

| Bits | Name | Value | Description |
|-------|--------------------------|----------------------|---|
| 31:29 | <code>funct7[6:4]</code> | <code>0b000</code> | RES0 |
| 28:26 | <code>size</code> | - | Number of ones in mask, values 0→7 encode 1→8 bits. |
| 25 | <code>funct7[0]</code> | <code>0b0</code> | RES0, because aligns with <code>shamt[5]</code> of potential RV64 version of <code>h3.bextmi</code> |
| 24:20 | <code>rs2</code> | - | Source register 2 (shift amount) |
| 19:15 | <code>rs1</code> | - | Source register 1 |
| 14:12 | <code>funct3</code> | <code>0b000</code> | <code>h3.bextm</code> |
| 11:7 | <code>rd</code> | - | Destination register |
| 6:2 | <code>opc</code> | <code>0b01011</code> | custom0 opcode |
| 1:0 | <code>size</code> | <code>0b11</code> | 32-bit instruction |

Example C macro (using GCC statement expressions):

```
// nbits must be a constant expression
#define __h3_bextm(nbits, rs1, rs2) ({\
    uint32_t __h3_bextm_rd; \
    asm (".insn r 0x0b, 0, %3, %0, %1, %2" \
        : "=r" (__h3_bextm_rd) \
        : "r" (rs1), "r" (rs2), "i" (((nbits) - 1) & 0x7) << 1) \
        ); \
    __h3_bextm_rd; \
})
```

Example assembly macro:

```
// rd = (rs1 >> rs2[4:0]) & ~(-1 << nbits)
.macro h3.bextm rd rs1 rs2 nbits
.if (\nbits < 1) || (\nbits > 8)
.err
.endif
#if NO_HAZARD3_CUSTOM
```

```

    srl  \rd, \rs1, \rs2
    andi \rd, \rd, ((1 << \nbits) - 1)
#else
.insn r 0x0b, 0x0, (((\nbits - 1) & 0x7) << 1), \rd, \rs1, \rs2
#endif
.endm

```

3.8.6.4.2. h3.bextmi

Immediate variant of `h3.bextm`.

Encoding (I-type):

| Bits | Name | Value | Description |
|-------|------------------------|----------------------|---|
| 31:29 | <code>imm[11:9]</code> | <code>0b000</code> | RES0 |
| 28:26 | <code>size</code> | - | Number of ones in mask, values 0→7 encode 1→8 bits. |
| 25 | <code>imm[5]</code> | <code>0b0</code> | RES0, for potential future RV64 version |
| 24:20 | <code>shamt</code> | - | Shift amount, 0 through 31 |
| 19:15 | <code>rs1</code> | - | Source register 1 |
| 14:12 | <code>funct3</code> | <code>0b100</code> | <code>h3.bextmi</code> |
| 11:7 | <code>rd</code> | - | Destination register |
| 6:2 | <code>opc</code> | <code>0b01011</code> | custom0 opcode |
| 1:0 | <code>size</code> | <code>0b11</code> | 32-bit instruction |

Example C macro (using GCC statement expressions):

```

// nbits and shamt must be constant expressions
#define __h3_bextmi(nbits, rs1, shamt) ({\
    uint32_t __h3_bextmi_rd; \
    asm (".insn i 0x0b, 0x4, %0, %1, %2"\
        : "=r" (__h3_bextmi_rd) \
        : "r" (rs1), "i" (((nbits) - 1) & 0x7) << 6 | ((shamt) & 0x1f)) \
        ); \
    __h3_bextmi_rd; \
})

```

Example assembly macro:

```

// rd = (rs1 >> shamt) & ~(-1 << nbits)
.macro h3.bextmi rd rs1 shamt nbits
.if (\nbits < 1) || (\nbits > 8)
.err
.endif
.if (\shamt < 0) || (\shamt > 31)
.err
.endif
#if NO_HAZARD3_CUSTOM
    srli \rd, \rs1, \shamt
    andi \rd, \rd, ((1 << \nbits) - 1)
#else
.insn i 0x0b, 0x4, \rd, \rs1, (\shamt & 0x1f) | (((\nbits - 1) & 0x7) << 6)
#endif

```



```
#endif
.endm
```

3.8.7. Instruction cycle counts

All timings are given assuming perfect bus behaviour (no downstream bus stalls).

See [Section 3.8.1.6](#) for a synopsis of instruction behaviour.

3.8.7.1. RV32I

| Instruction | Cycles | Note |
|---------------------------------|------------------|---|
| Integer Register-register | | |
| <code>add rd, rs1, rs2</code> | 1 | |
| <code>sub rd, rs1, rs2</code> | 1 | |
| <code>slt rd, rs1, rs2</code> | 1 | |
| <code>sltu rd, rs1, rs2</code> | 1 | |
| <code>and rd, rs1, rs2</code> | 1 | |
| <code>or rd, rs1, rs2</code> | 1 | |
| <code>xor rd, rs1, rs2</code> | 1 | |
| <code>sll rd, rs1, rs2</code> | 1 | |
| <code>srl rd, rs1, rs2</code> | 1 | |
| <code>sra rd, rs1, rs2</code> | 1 | |
| Integer Register-immediate | | |
| <code>addi rd, rs1, imm</code> | 1 | <code>nop</code> is a pseudo-op for <code>addi x0, x0, 0</code> |
| <code>slti rd, rs1, imm</code> | 1 | |
| <code>sltiu rd, rs1, imm</code> | 1 | |
| <code>andi rd, rs1, imm</code> | 1 | |
| <code>ori rd, rs1, imm</code> | 1 | |
| <code>xori rd, rs1, imm</code> | 1 | |
| <code>slli rd, rs1, imm</code> | 1 | |
| <code>srlr rd, rs1, imm</code> | 1 | |
| <code>srair rd, rs1, imm</code> | 1 | |
| Large Immediate | | |
| <code>lui rd, imm</code> | 1 | |
| <code>auipc rd, imm</code> | 1 | |
| Control Transfer | | |
| <code>jal rd, label</code> | 2 ^[1] | |
| <code>jalr rd, rs1, imm</code> | 2 ^[1] | |

| Instruction | Cycles | Note |
|-----------------------------------|-----------------------|--|
| <code>beq rs1, rs2, label</code> | 1 or 2 ^[1] | 1 if correctly predicted, 2 if mispredicted. |
| <code>bne rs1, rs2, label</code> | 1 or 2 ^[1] | 1 if correctly predicted, 2 if mispredicted. |
| <code>blt rs1, rs2, label</code> | 1 or 2 ^[1] | 1 if correctly predicted, 2 if mispredicted. |
| <code>bge rs1, rs2, label</code> | 1 or 2 ^[1] | 1 if correctly predicted, 2 if mispredicted. |
| <code>bltu rs1, rs2, label</code> | 1 or 2 ^[1] | 1 if correctly predicted, 2 if mispredicted. |
| <code>bgeu rs1, rs2, label</code> | 1 or 2 ^[1] | 1 if correctly predicted, 2 if mispredicted. |
| Load and Store | | |
| <code>lw rd, imm(rs1)</code> | 1 or 2 | 1 if next instruction is independent, 2 if dependent. ^[2] |
| <code>lh rd, imm(rs1)</code> | 1 or 2 | 1 if next instruction is independent, 2 if dependent. ^[2] |
| <code>lhu rd, imm(rs1)</code> | 1 or 2 | 1 if next instruction is independent, 2 if dependent. ^[2] |
| <code>lb rd, imm(rs1)</code> | 1 or 2 | 1 if next instruction is independent, 2 if dependent. ^[2] |
| <code>lbu rd, imm(rs1)</code> | 1 or 2 | 1 if next instruction is independent, 2 if dependent. ^[2] |
| <code>sw rs2, imm(rs1)</code> | 1 | |
| <code>sh rs2, imm(rs1)</code> | 1 | |
| <code>sb rs2, imm(rs1)</code> | 1 | |

3.8.7.2. M extension

| Instruction | Cycles | Note |
|-----------------------------------|----------|------------------------------|
| 32 × 32 → 32 Multiply | | |
| <code>mul rd, rs1, rs2</code> | 1 | |
| 32 × 32 → 64 Multiply, Upper Half | | |
| <code>mulh rd, rs1, rs2</code> | 1 | |
| <code>mulhsu rd, rs1, rs2</code> | 1 | |
| <code>mulhu rd, rs1, rs2</code> | 1 | |
| Divide and Remainder | | |
| <code>div rd, rs1, rs2</code> | 18 or 19 | Depending on sign correction |
| <code>divu rd, rs1, rs2</code> | 18 | |
| <code>rem rd, rs1, rs2</code> | 18 or 19 | Depending on sign correction |
| <code>remu rd, rs1, rs2</code> | 18 | |

3.8.7.3. A extension

| Instruction | Cycles | Note |
|----------------------------------|--------|--|
| Load-Reserved/Store-Conditional | | |
| <code>lr.w rd, (rs1)</code> | 1 or 2 | 2 if next instruction is dependent ^[2] , an <code>lr.w, sc.w</code> or <code>amo*.w</code> . ^[3] |
| <code>sc.w rd, rs2, (rs1)</code> | 1 or 2 | 2 if next instruction is dependent ^[2] , an <code>lr.w, sc.w</code> or <code>amo*.w</code> . ^[3] |

| Instruction | Cycles | Note |
|---------------------------------------|--------|---|
| Atomic Memory Operations | | |
| <code>amoswap.w rd, rs2, (rs1)</code> | 4+ | 4 per attempt. Multiple attempts if reservation is lost. ^[4] |
| <code>amoadd.w rd, rs2, (rs1)</code> | 4+ | 4 per attempt. Multiple attempts if reservation is lost. ^[4] |
| <code>amoxor.w rd, rs2, (rs1)</code> | 4+ | 4 per attempt. Multiple attempts if reservation is lost. ^[4] |
| <code>amoand.w rd, rs2, (rs1)</code> | 4+ | 4 per attempt. Multiple attempts if reservation is lost. ^[4] |
| <code>amoor.w rd, rs2, (rs1)</code> | 4+ | 4 per attempt. Multiple attempts if reservation is lost. ^[4] |
| <code>amomin.w rd, rs2, (rs1)</code> | 4+ | 4 per attempt. Multiple attempts if reservation is lost. ^[4] |
| <code>amomax.w rd, rs2, (rs1)</code> | 4+ | 4 per attempt. Multiple attempts if reservation is lost. ^[4] |
| <code>amominu.w rd, rs2, (rs1)</code> | 4+ | 4 per attempt. Multiple attempts if reservation is lost. ^[4] |
| <code>amomaxu.w rd, rs2, (rs1)</code> | 4+ | 4 per attempt. Multiple attempts if reservation is lost. ^[4] |

3.8.7.4. C extension

All C extension 16-bit instructions are aliases of base RV32I instructions. On Hazard3, they perform identically to their 32-bit counterparts.

A consequence of the C extension is that 32-bit instructions can be non-naturally-aligned. This has no penalty during sequential execution, but branching to a 32-bit instruction that is not 32-bit-aligned carries a 1 cycle penalty, because the instruction fetch is cracked into two naturally-aligned bus accesses.

3.8.7.5. Privileged instructions (including Zicsr)

| Instruction | Cycles | Note |
|----------------------------------|------------------|---|
| CSR Access | | |
| <code>csrrw rd, csr, rs1</code> | 1 | |
| <code>csrrc rd, csr, rs1</code> | 1 | |
| <code>csrrs rd, csr, rs1</code> | 1 | |
| <code>csrrwi rd, csr, imm</code> | 1 | |
| <code>csrrci rd, csr, imm</code> | 1 | |
| <code>csrrsi rd, csr, imm</code> | 1 | |
| Traps and Interrupts | | |
| <code>ecall</code> | 3 | Time given is for jumping to <code>mtvec</code> |
| <code>ebreak</code> | 3 | Time given is for jumping to <code>mtvec</code> |
| <code>mret</code> | 2 ^[1] | |
| <code>wfi</code> | 2+ | Always stalls for one cycle, no upper limit |

3.8.7.6. Bit manipulation

| Instruction | Cycles | Note |
|---|--------|--|
| Zba (address generation) | | |
| <code>sh1add rd, rs1, rs2</code> | 1 | |
| <code>sh2add rd, rs1, rs2</code> | 1 | |
| <code>sh3add rd, rs1, rs2</code> | 1 | |
| Zbb (basic bit manipulation) | | |
| <code>andn rd, rs1, rs2</code> | 1 | |
| <code>clz rd, rs1</code> | 1 | |
| <code>cpop rd, rs1</code> | 1 | |
| <code>ctz rd, rs1</code> | 1 | |
| <code>max rd, rs1, rs2</code> | 1 | |
| <code>maxu rd, rs1, rs2</code> | 1 | |
| <code>min rd, rs1, rs2</code> | 1 | |
| <code>minu rd, rs1, rs2</code> | 1 | |
| <code>orc.b rd, rs1</code> | 1 | |
| <code>orn rd, rs1, rs2</code> | 1 | |
| <code>rev8 rd, rs1</code> | 1 | |
| <code>rol rd, rs1, rs2</code> | 1 | |
| <code>ror rd, rs1, rs2</code> | 1 | |
| <code>rori rd, rs1, imm</code> | 1 | |
| <code>sxt.b rd, rs1</code> | 1 | |
| <code>sxt.h rd, rs1</code> | 1 | |
| <code>xnor rd, rs1, rs2</code> | 1 | |
| <code>zext.h rd, rs1</code> | 1 | |
| <code>zext.b rd, rs1</code> | 1 | <code>zext.b</code> is a pseudo-op for <code>andi rd, rs1, 0xff</code> |
| Zbs (single-bit manipulation) | | |
| <code>bclr rd, rs1, rs2</code> | 1 | |
| <code>bclri rd, rs1, imm</code> | 1 | |
| <code>bext rd, rs1, rs2</code> | 1 | |
| <code>bexti rd, rs1, imm</code> | 1 | |
| <code>binv rd, rs1, rs2</code> | 1 | |
| <code>binvi rd, rs1, imm</code> | 1 | |
| <code>bset rd, rs1, rs2</code> | 1 | |
| <code>bseti rd, rs1, imm</code> | 1 | |
| Zbkb (basic bit manipulation for cryptography) | | |
| <code>pack rd, rs1, rs2</code> | 1 | |
| <code>packh rd, rs1, rs2</code> | 1 | |

| Instruction | Cycles | Note |
|----------------------------|--------|------|
| <code>brev8 rd, rs1</code> | 1 | |
| <code>zip rd, rs1</code> | 1 | |
| <code>unzip rd, rs1</code> | 1 | |

3.8.7.7. Zcb extension

Similarly to the C extension, this extension contains 16-bit variants of common 32-bit instructions:

- RV32I base ISA: `lbu`, `lh`, `lhu`, `sb`, `sh`, `zext.b` (alias of `andi`), `not` (alias of `xori`)
- Zbb extension: `sext.b`, `zext.h`, `sext.h`
- M extension: `mul`

They perform identically to their 32-bit counterparts.

3.8.7.8. Zcmp extension

| Instruction | Cycles | Note |
|------------------------------------|---|--|
| <code>cm.push rlist, -imm</code> | 1 + n | n is number of registers in <code>rlist</code> |
| <code>cm.pop rlist, imm</code> | 1 + n | n is number of registers in <code>rlist</code> |
| <code>cm.popret rlist, imm</code> | 4 (n = 1) ^[5] or 2 + n (n >= 2) ^[1] | n is number of registers in <code>rlist</code> |
| <code>cm.popretz rlist, imm</code> | 5 (n = 1) ^[5] or 3 + n (n >= 2) ^[1] | n is number of registers in <code>rlist</code> |
| <code>cm.mva01s r1s', r2s'</code> | 2 | |
| <code>cm.mvsa01 r1s', r2s'</code> | 2 | |

3.8.7.9. Table footnotes

- ^[1] A jump or branch to a 32-bit instruction that isn't 32-bit-aligned requires one additional cycle because two naturally aligned bus cycles are required to fetch the target instruction.
- ^[2] If an instruction in stage 2 (e.g. an `add`) uses data from stage 3 (e.g. a `lw` result), a 1-cycle bubble is inserted between the pair. A load data → store data dependency is *not* an example of this, because data is produced and consumed in stage 3. However, load data → load address *would* qualify, as would e.g. `sc.w` → `beqz`.
- ^[3] AMOs are issued as a paired exclusive read and exclusive write on the bus, at the maximum speed of 2 cycles per access, since the bus does not permit pipelining of exclusive reads/writes. If the write phase fails due to the global monitor reporting a lost reservation, the instruction loops at a rate of 4 cycles per loop, until success. If the read reservation is refused by the global monitor, the instruction generates a Store/AMO Fault exception, to avoid an infinite loop.
- ^[4] A pipeline bubble is inserted between `lr.w/sc.w` and an immediately-following `lr.w/sc.w/amo*`, because the AHB5 bus standard does not permit pipelined exclusive accesses. A stall would be inserted between `lr.w` and `sc.w` anyhow, so the local monitor can be updated based on the `lr.w` data phase in time to suppress the `sc.w` address phase.
- ^[5] The single-register variants of `cm.popret` and `cm.popretz` take the same number of cycles as the two-register variants, because of an internal load-use dependency on the loaded return address.

3.8.7.10. Branch predictor

Hazard3 includes a minimal branch predictor, to accelerate tight loops:

- The instruction frontend remembers the last taken, backward branch in a single-entry **branch target buffer (BTB)**
- If the same branch is seen again, it is predicted taken
- All other branches are predicted non-taken
- If the core executes but does not take a predicted-taken branch:
 - The core clears the BTB
 - The branch is predicted non-taken on its next execution

Correctly predicted branches execute in one cycle: the frontend is able to stitch together the two nonsequential fetch paths so that they appear sequential. Mispredicted branches incur a penalty cycle, since a nonsequential fetch address must be issued when the branch is executed. Consider the following copy routine:

```
// a0 is dst pointer
// a1 is src pointer
// a2 is len
copy_data:
    beqz a2, 2f
    add a2, a2, a1
1:
    lbu a3, (a0)
    sb a3, (a1)
    addi a0, a0, 1
    addi a1, a1, 1
    bltu a1, a2, 1b
2:
    ret
```

In the steady state this executes at 5 cycles per loop:

- One cycle for the load
- One cycle for the store: though it depends on the load, the dependency is within stage 3 so there is no stall
- One cycle for each `add`
- One cycle for the repeatedly-taken backward branch

Without the branch predictor the throughput is 6 cycles per loop. The branch predictor increases the throughput by 20%, and also reduces energy dissipation due to wasted instruction fetch (memory access is a large fraction of the instruction energy cost for an embedded processor).

For the above example code, a copy of 10 bytes would take 52 cycles:

- The base cost is 5 cycles per iteration, and there are 10 iterations
- The mispredicted, taken branch at the end of the first iteration costs one cycle
- The mispredicted, non-taken branch at the end of the last iteration costs one cycle

3.8.7.10.1. Caveat: delay loops

The branch predictor does not engage when all of the following are true:

- The loop body consists of a single 16-bit instruction (followed by a repeatedly taken backward branch)
- The loop body is 32-bit-aligned

- There are no bus stalls on the instruction fetch port

This is because the branch predictor lookup functions by comparing bits 31:2 of the sequential-fetch counter to the BTB tag. In this case the BTB tag points to the same word as the loop entry. In the aforementioned case the sequential-fetch counter never actually contains the address of the loop entry, because the loop entry address goes straight to the bus, and the sequential-fetch counter pre-increments to the next address. This manifests in delay loops like the following:

```
.p2align 2
delay_loop_bad_dont_copy_paste_this:
    addi a0, a0, -1
    bgez a0, delay_loop_bad_dont_copy_paste_this
```

Given the description in [Section 3.8.7.10](#), you might expect this loop to execute at two cycles per iteration in the steady state. The actual behaviour is it executes at *three* cycles per iteration until instruction fetch encounters a stall, whereupon it accelerates to two cycles per instruction until the loop ends.

Avoid this by using a 32-bit instruction in the loop body. Force 32-bit alignment of the loop body to avoid an alignment penalty. The following code executes at the expected two cycles per iteration in the steady state:

```
.p2align 2          // Force 4-byte alignment
delay_cycles:
.option push
.option norvc      // Force 32-bit opcode
    addi a0, a0, -1
.option pop
    bgez a0, delay_cycles
```

3.8.8. Configuration

Hazard3 uses the parameters given in the [hazard3_config.vh](#) header to customise the core. These values are set before taping out a Hazard3 instance on silicon, so they are *fixed* from a user point of view. They determine which instructions the processor supports, the area-performance trade-off for certain instructions, and static configuration for core peripherals like the PMP. RP2350 uses the following values for these parameters:

| Parameter | Value |
|--------------------|-------|
| EXTENSION_A | 1 |
| EXTENSION_C | 1 |
| EXTENSION_M | 1 |
| EXTENSION_ZBA | 1 |
| EXTENSION_ZBB | 1 |
| EXTENSION_ZBC | 0 |
| EXTENSION_ZBS | 1 |
| EXTENSION_ZCB | 1 |
| EXTENSION_ZCMP | 1 |
| EXTENSION_ZBKB | 1 |
| EXTENSION_ZIFENCEI | 1 |
| EXTENSION_XH3BEXTM | 1 |
| EXTENSION_XH3IRQ | 1 |

| Parameter | Value |
|---------------------|-------------------------------------|
| EXTENSION_XH3PMPM | 1 |
| EXTENSION_XH3POWER | 1 |
| CSR_M_MANDATORY | 1 |
| CSR_M_TRAP | 1 |
| CSR_COUNTER | 1 |
| U_MODE | 1 |
| PMP_REGIONS | 11 |
| PMP_GRAIN | 3 |
| PMP_HARDWIRED | 11'h700 |
| PMP_HARDWIRED_ADDR | See Section 3.8.8.1 |
| PMP_HARDWIRED_CFG | See Section 3.8.8.1 |
| DEBUG_SUPPORT | 1 |
| BREAKPOINT_TRIGGERS | 4 |
| NUM_IRQS | 52 |
| IRQ_PRIORITY_BITS | 4 |
| IRQ_INPUT_BYPASS | {NUM_IRQS{1'b1}} |
| MVENDORID_VAL | 32'h00000493 |
| MIMPID_VAL | 32'h86fc4e3f |
| MCONFIGPTR_VAL | 32'h0 |
| REDUCED_BYPASS | 0 |
| MULDIV_UNROLL | 2 |
| MUL_FAST | 1 |
| MUL_FASTER | 1 |
| MULH_FAST | 1 |
| FAST_BRANCHCMP | 1 |
| RESET_REGFILE | 1 |
| BRANCH_PREDICTOR | 1 |
| MTVEC_WMASK | 32'hfffffff |

3.8.8.1. Hardwired PMP regions

RP2350 configures Hazard3 with eight dynamically configured PMP regions, and three static ones. The static regions provide default U-mode RWX permissions on the following ranges:

- ROM: 0x00000000 through 0x0fffffff
- Peripherals: 0x40000000 through 0x5fffffff
- SIO: 0xd0000000 through 0xdfffffff

These addresses appear in [PMPADDR8](#), [PMPADDR9](#) and [PMPADDR10](#). The hardwired PMP address registers behave the same as dynamic registers, except that they ignore writes (exercising the WARL rule). The permissions for these

regions are in [PMPCFG2](#).

The hardwired regions have a similar role to the Exempt regions added to the Cortex-M33 IDAU address map specified in [Section 10.2.2](#).

RP2350 puts default U-mode permissions on AHB/APB peripherals because these are expected to be assigned using ACCESSCTRL ([Section 10.6](#)). ACCESSCTRL can assign each peripheral individually, using the existing address decoders in the bus fabric, whereas PMP regions are in limited supply so are less useful for peripheral assignment.

Similarly, SIO has internal banking over Secure/Non-secure bus attribution, which is mapped onto Machine and User modes as described in [Section 10.6.2](#).

The dynamic regions 0 through 7 take priority over the hardwired regions, because the PMP prioritises lower-numbered regions.

3.8.9. Control and status registers

Control and status registers (CSRs) are registers internal to the processor that affect its behaviour. They are hart-local: every hart has a copy of the CSRs. On RP2350 hart-local is a synonym for core-local.

Use dedicated CSR instructions to access the CSRs, as described in [Section 3.8.1.22](#). You cannot access CSRs with load or store instructions.

The RISC-V privileged specification is flexible on which CSRs are implemented, and how they behave. This section documents the as-implemented behaviour of CSRs on Hazard3 specifically, and does not enumerate all possible behaviour of all platforms.

! IMPORTANT

The [RISC-V Privileged Specification](#) should be your primary reference for writing software to run on Hazard3. Portable RISC-V software should not rely on any implementation-defined behaviour described in this section.

All CSRs are 32-bit, and MXLEN is fixed at 32 bits. CSR addresses not listed in this section are unimplemented. Accessing an unimplemented CSR raises an illegal instruction exception (`mcause = 2`). This includes all S-mode CSRs.

Table 367. List of RVCSR registers

| Offset | Name | Info |
|--------|-------------------------------|--|
| 0x300 | MSTATUS | Machine status register |
| 0x301 | MISA | Summary of ISA extension support |
| 0x302 | MEDELEG | Machine exception delegation register. Not implemented, as no S-mode support. |
| 0x303 | MIDELEG | Machine interrupt delegation register. Not implemented, as no S-mode support. |
| 0x304 | MIE | Machine interrupt enable register |
| 0x305 | MTVEC | Machine trap handler base address. |
| 0x306 | MCOUNTEREN | Counter enable. Control access to counters from U-mode. Not to be confused with <code>mcountinhibit</code> . |
| 0x30a | MENVCFG | Machine environment configuration register, low half |
| 0x310 | MSTATUSH | High half of <code>mstatus</code> , hardwired to 0. |
| 0x31a | MENVCFGH | Machine environment configuration register, high half |
| 0x320 | MCOUNTINHIBIT | Count inhibit register for <code>mcycle/minstret</code> |
| 0x323 | MHPMEVENT3 | Extended performance event selector, hardwired to 0. |

| Offset | Name | Info |
|--------|-------------|--|
| 0x324 | MHPMEVENT4 | Extended performance event selector, hardwired to 0. |
| 0x325 | MHPMEVENT5 | Extended performance event selector, hardwired to 0. |
| 0x326 | MHPMEVENT6 | Extended performance event selector, hardwired to 0. |
| 0x327 | MHPMEVENT7 | Extended performance event selector, hardwired to 0. |
| 0x328 | MHPMEVENT8 | Extended performance event selector, hardwired to 0. |
| 0x329 | MHPMEVENT9 | Extended performance event selector, hardwired to 0. |
| 0x32a | MHPMEVENT10 | Extended performance event selector, hardwired to 0. |
| 0x32b | MHPMEVENT11 | Extended performance event selector, hardwired to 0. |
| 0x32c | MHPMEVENT12 | Extended performance event selector, hardwired to 0. |
| 0x32d | MHPMEVENT13 | Extended performance event selector, hardwired to 0. |
| 0x32e | MHPMEVENT14 | Extended performance event selector, hardwired to 0. |
| 0x32f | MHPMEVENT15 | Extended performance event selector, hardwired to 0. |
| 0x330 | MHPMEVENT16 | Extended performance event selector, hardwired to 0. |
| 0x331 | MHPMEVENT17 | Extended performance event selector, hardwired to 0. |
| 0x332 | MHPMEVENT18 | Extended performance event selector, hardwired to 0. |
| 0x333 | MHPMEVENT19 | Extended performance event selector, hardwired to 0. |
| 0x334 | MHPMEVENT20 | Extended performance event selector, hardwired to 0. |
| 0x335 | MHPMEVENT21 | Extended performance event selector, hardwired to 0. |
| 0x336 | MHPMEVENT22 | Extended performance event selector, hardwired to 0. |
| 0x337 | MHPMEVENT23 | Extended performance event selector, hardwired to 0. |
| 0x338 | MHPMEVENT24 | Extended performance event selector, hardwired to 0. |
| 0x339 | MHPMEVENT25 | Extended performance event selector, hardwired to 0. |
| 0x33a | MHPMEVENT26 | Extended performance event selector, hardwired to 0. |
| 0x33b | MHPMEVENT27 | Extended performance event selector, hardwired to 0. |
| 0x33c | MHPMEVENT28 | Extended performance event selector, hardwired to 0. |
| 0x33d | MHPMEVENT29 | Extended performance event selector, hardwired to 0. |
| 0x33e | MHPMEVENT30 | Extended performance event selector, hardwired to 0. |
| 0x33f | MHPMEVENT31 | Extended performance event selector, hardwired to 0. |
| 0x340 | MSCRATCH | Scratch register for machine trap handlers |
| 0x341 | MEPC | Machine exception program counter |
| 0x342 | MCAUSE | Machine trap cause. Set when entering a trap to indicate the reason for the trap. Readable and writable by software. |
| 0x343 | MTVAL | Machine bad address or instruction. Hardwired to zero. |
| 0x344 | MIP | Machine interrupt pending |
| 0x3a0 | PMPCFG0 | Physical memory protection configuration for regions 0 through 3 |

| Offset | Name | Info |
|--------|---------------|--|
| 0x3a1 | PMPCFG1 | Physical memory protection configuration for regions 4 through 7 |
| 0x3a2 | PMPCFG2 | Physical memory protection configuration for regions 8 through 11 |
| 0x3a3 | PMPCFG3 | Physical memory protection configuration for regions 12 through 15 |
| 0x3b0 | PMPADDR0 | Physical memory protection address for region 0 |
| 0x3b1 | PMPADDR1 | Physical memory protection address for region 1 |
| 0x3b2 | PMPADDR2 | Physical memory protection address for region 2 |
| 0x3b3 | PMPADDR3 | Physical memory protection address for region 3 |
| 0x3b4 | PMPADDR4 | Physical memory protection address for region 4 |
| 0x3b5 | PMPADDR5 | Physical memory protection address for region 5 |
| 0x3b6 | PMPADDR6 | Physical memory protection address for region 6 |
| 0x3b7 | PMPADDR7 | Physical memory protection address for region 7 |
| 0x3b8 | PMPADDR8 | Physical memory protection address for region 8 |
| 0x3b9 | PMPADDR9 | Physical memory protection address for region 9 |
| 0x3ba | PMPADDR10 | Physical memory protection address for region 10 |
| 0x3bb | PMPADDR11 | Physical memory protection address for region 11 |
| 0x3bc | PMPADDR12 | Physical memory protection address for region 12 |
| 0x3bd | PMPADDR13 | Physical memory protection address for region 13 |
| 0x3be | PMPADDR14 | Physical memory protection address for region 14 |
| 0x3bf | PMPADDR15 | Physical memory protection address for region 15 |
| 0x7a0 | TSELECT | Select trigger to be configured via <code>tdata1/tdata2</code> |
| 0x7a1 | TDATA1 | Trigger configuration data 1 |
| 0x7a2 | TDATA2 | Trigger configuration data 2 |
| 0x7b0 | DCSR | Debug control and status register (Debug Mode only) |
| 0x7b1 | DPC | Debug program counter (Debug Mode only) |
| 0xb00 | MCYCLE | Machine-mode cycle counter, low half |
| 0xb02 | MINSTRET | Machine-mode instruction retire counter, low half |
| 0xb03 | MHPMCOUNTER3 | Extended performance counter, hardwired to 0. |
| 0xb04 | MHPMCOUNTER4 | Extended performance counter, hardwired to 0. |
| 0xb05 | MHPMCOUNTER5 | Extended performance counter, hardwired to 0. |
| 0xb06 | MHPMCOUNTER6 | Extended performance counter, hardwired to 0. |
| 0xb07 | MHPMCOUNTER7 | Extended performance counter, hardwired to 0. |
| 0xb08 | MHPMCOUNTER8 | Extended performance counter, hardwired to 0. |
| 0xb09 | MHPMCOUNTER9 | Extended performance counter, hardwired to 0. |
| 0xb0a | MHPMCOUNTER10 | Extended performance counter, hardwired to 0. |

| Offset | Name | Info |
|--------|----------------|---|
| 0xb0b | MHPMCOUNTER11 | Extended performance counter, hardwired to 0. |
| 0xb0c | MHPMCOUNTER12 | Extended performance counter, hardwired to 0. |
| 0xb0d | MHPMCOUNTER13 | Extended performance counter, hardwired to 0. |
| 0xb0e | MHPMCOUNTER14 | Extended performance counter, hardwired to 0. |
| 0xb0f | MHPMCOUNTER15 | Extended performance counter, hardwired to 0. |
| 0xb10 | MHPMCOUNTER16 | Extended performance counter, hardwired to 0. |
| 0xb11 | MHPMCOUNTER17 | Extended performance counter, hardwired to 0. |
| 0xb12 | MHPMCOUNTER18 | Extended performance counter, hardwired to 0. |
| 0xb13 | MHPMCOUNTER19 | Extended performance counter, hardwired to 0. |
| 0xb14 | MHPMCOUNTER20 | Extended performance counter, hardwired to 0. |
| 0xb15 | MHPMCOUNTER21 | Extended performance counter, hardwired to 0. |
| 0xb16 | MHPMCOUNTER22 | Extended performance counter, hardwired to 0. |
| 0xb17 | MHPMCOUNTER23 | Extended performance counter, hardwired to 0. |
| 0xb18 | MHPMCOUNTER24 | Extended performance counter, hardwired to 0. |
| 0xb19 | MHPMCOUNTER25 | Extended performance counter, hardwired to 0. |
| 0xb1a | MHPMCOUNTER26 | Extended performance counter, hardwired to 0. |
| 0xb1b | MHPMCOUNTER27 | Extended performance counter, hardwired to 0. |
| 0xb1c | MHPMCOUNTER28 | Extended performance counter, hardwired to 0. |
| 0xb1d | MHPMCOUNTER29 | Extended performance counter, hardwired to 0. |
| 0xb1e | MHPMCOUNTER30 | Extended performance counter, hardwired to 0. |
| 0xb1f | MHPMCOUNTER31 | Extended performance counter, hardwired to 0. |
| 0xb80 | MCYCLEH | Machine-mode cycle counter, high half |
| 0xb82 | MINSTRETH | Machine-mode instruction retire counter, low half |
| 0xb83 | MHPMCOUNTER3H | Extended performance counter, hardwired to 0. |
| 0xb84 | MHPMCOUNTER4H | Extended performance counter, hardwired to 0. |
| 0xb85 | MHPMCOUNTER5H | Extended performance counter, hardwired to 0. |
| 0xb86 | MHPMCOUNTER6H | Extended performance counter, hardwired to 0. |
| 0xb87 | MHPMCOUNTER7H | Extended performance counter, hardwired to 0. |
| 0xb88 | MHPMCOUNTER8H | Extended performance counter, hardwired to 0. |
| 0xb89 | MHPMCOUNTER9H | Extended performance counter, hardwired to 0. |
| 0xb8a | MHPMCOUNTER10H | Extended performance counter, hardwired to 0. |
| 0xb8b | MHPMCOUNTER11H | Extended performance counter, hardwired to 0. |
| 0xb8c | MHPMCOUNTER12H | Extended performance counter, hardwired to 0. |
| 0xb8d | MHPMCOUNTER13H | Extended performance counter, hardwired to 0. |
| 0xb8e | MHPMCOUNTER14H | Extended performance counter, hardwired to 0. |
| 0xb8f | MHPMCOUNTER15H | Extended performance counter, hardwired to 0. |

| Offset | Name | Info |
|--------|----------------|--|
| 0xb90 | MHPMCOUNTER16H | Extended performance counter, hardwired to 0. |
| 0xb91 | MHPMCOUNTER17H | Extended performance counter, hardwired to 0. |
| 0xb92 | MHPMCOUNTER18H | Extended performance counter, hardwired to 0. |
| 0xb93 | MHPMCOUNTER19H | Extended performance counter, hardwired to 0. |
| 0xb94 | MHPMCOUNTER20H | Extended performance counter, hardwired to 0. |
| 0xb95 | MHPMCOUNTER21H | Extended performance counter, hardwired to 0. |
| 0xb96 | MHPMCOUNTER22H | Extended performance counter, hardwired to 0. |
| 0xb97 | MHPMCOUNTER23H | Extended performance counter, hardwired to 0. |
| 0xb98 | MHPMCOUNTER24H | Extended performance counter, hardwired to 0. |
| 0xb99 | MHPMCOUNTER25H | Extended performance counter, hardwired to 0. |
| 0xb9a | MHPMCOUNTER26H | Extended performance counter, hardwired to 0. |
| 0xb9b | MHPMCOUNTER27H | Extended performance counter, hardwired to 0. |
| 0xb9c | MHPMCOUNTER28H | Extended performance counter, hardwired to 0. |
| 0xb9d | MHPMCOUNTER29H | Extended performance counter, hardwired to 0. |
| 0xb9e | MHPMCOUNTER30H | Extended performance counter, hardwired to 0. |
| 0xb9f | MHPMCOUNTER31H | Extended performance counter, hardwired to 0. |
| 0xbd0 | PMPCFG0 | Set PMP regions to M-mode, without locking |
| 0xbe0 | MEIEA | External interrupt enable array |
| 0xbe1 | MEIPA | External interrupt pending array |
| 0xbe2 | MEIFA | External interrupt force array |
| 0xbe3 | MEIPRA | External interrupt priority array |
| 0xbe4 | MEINEXT | Get next external interrupt |
| 0xbe5 | MEICONTEXT | External interrupt context register |
| 0xbf0 | MSLEEP | M-mode sleep control register |
| 0xbff | DMDATA0 | Debug Module DATA0 access register (Debug Mode only) |
| 0xc00 | CYCLE | Read-only U-mode alias of mcycle, accessible when <code>mcounteren.cy</code> is set |
| 0xc02 | INSTRET | Read-only U-mode alias of minstret, accessible when <code>mcounteren.ir</code> is set |
| 0xc80 | CYCLEH | Read-only U-mode alias of mcycleh, accessible when <code>mcounteren.cy</code> is set |
| 0xc82 | INSTRETH | Read-only U-mode alias of minstreth, accessible when <code>mcounteren.ir</code> is set |
| 0xf11 | MVENDORID | Vendor ID |
| 0xf12 | MARCHID | Architecture ID (Hazard3) |
| 0xf13 | MIMPID | Implementation ID. On RP2350 this reads as 0x86fc4e3f, which is release v1.0-rc1 of Hazard3. |

| Offset | Name | Info |
|--------|------------|--|
| 0xf14 | MHARTID | Hardware thread ID |
| 0xf15 | MCONFIGPTR | Pointer to configuration data structure (hardwired to 0) |

RVCSR: MSTATUS Register

Offset: 0x300

Description

Machine status register

Table 368. MSTATUS Register

| Bits | Description | Type | Reset |
|-------|---|------|-------|
| 31:22 | Reserved. | - | - |
| 21 | TW : Timeout wait. When 1, attempting to execute a WFI instruction in U-mode will instantly cause an illegal instruction exception. | RW | 0x0 |
| 20:18 | Reserved. | - | - |
| 17 | MPRV : Modify privilege. If 1, loads and stores behave as though the current privilege level were <code>mpp</code> . This includes physical memory protection checks, and the privilege level asserted on the system bus alongside the load/store address. | RW | 0x0 |
| 16:13 | Reserved. | - | - |
| 12:11 | MPP : Previous privilege level. Can store the values 3 (M-mode) or 0 (U-mode). If another value is written, hardware rounds to the nearest supported mode. | RW | 0x3 |
| 10:8 | Reserved. | - | - |
| 7 | MPIE : Previous interrupt enable. Readable and writable. Is set to the current value of <code>mstatus.mie</code> on trap entry. Is set to 1 on trap return. | RW | 0x0 |
| 6:4 | Reserved. | - | - |
| 3 | MIE : Interrupt enable. Readable and writable. Is set to 0 on trap entry. Is set to the current value of <code>mstatus.mpie</code> on trap return. | RW | 0x0 |
| 2:0 | Reserved. | - | - |

RVCSR: MISA Register

Offset: 0x301

Description

Summary of ISA extension support

On RP2350, Hazard3's full `-march` string is: `rv32ima_zicsr_zifencei_zba_zbb_zbs_zbkb_zca_zcb_zcmp`

Note `Zca` is equivalent to the `C` extension in this case; all instructions from the RISC-V `C` extension relevant to a 32-bit non-floating-point processor are supported. On older toolchains which do not support the `Zc` extensions, the appropriate `-march` string is: `rv32imac_zicsr_zifencei_zba_zbb_zbs_zbkb`

In addition the following custom extensions are configured: `Xh3bm`, `Xh3power`, `Xh3irq`, `Xh3ppm`

Table 369. MISA Register

| Bits | Description | Type | Reset |
|-------|---|------|-------|
| 31:30 | MXL : Value of 0x1 indicates this is a 32-bit processor. | RO | 0x1 |
| 29:24 | Reserved. | - | - |

| Bits | Description | Type | Reset |
|-------|--|------|-------|
| 23 | X : Value of 1 indicates nonstandard extensions are present. (Xh3b bit manipulation, and custom sleep and interrupt control CSRs) | RO | 0x1 |
| 22 | Reserved. | - | - |
| 21 | V : Vector extension (not implemented). | RO | 0x0 |
| 20 | U : Value of 1 indicates U-mode is implemented. | RO | 0x1 |
| 19 | Reserved. | - | - |
| 18 | S : Supervisor extension (not implemented). | RO | 0x0 |
| 17 | Reserved. | - | - |
| 16 | Q : Quad-precision floating point extension (not implemented). | RO | 0x0 |
| 15:13 | Reserved. | - | - |
| 12 | M : Value of 1 indicates the M extension (integer multiply/divide) is implemented. | RO | 0x1 |
| 11:9 | Reserved. | - | - |
| 8 | I : Value of 1 indicates the RVI base ISA is implemented (as opposed to RVE) | RO | 0x1 |
| 7 | H : Hypervisor extension (not implemented, I agree it would be pretty cool on a microcontroller through). | RO | 0x0 |
| 6 | Reserved. | - | - |
| 5 | F : Single-precision floating point extension (not implemented). | RO | 0x0 |
| 4 | E : RV32E/64E base ISA (not implemented). | RO | 0x0 |
| 3 | D : Double-precision floating point extension (not implemented). | RO | 0x0 |
| 2 | C : Value of 1 indicates the C extension (compressed instructions) is implemented. | RO | 0x1 |
| 1 | B : Value of 1 indicates the B extension (bit manipulation) is implemented. B is the combination of Zba, Zbb and Zbs. Hazard3 implements all of these extensions, but the definition of B as ZbaZbbZbs did not exist at the point this version of Hazard3 was taped out. This bit was reserved-0 at that point. Therefore this bit reads as 0. | RO | 0x0 |
| 0 | A : Value of 1 indicates the A extension (atomics) is implemented. | RO | 0x1 |

RVCSR: MEDELEG Register

Offset: 0x302

Table 370. MEDELEG Register

| Bits | Description | Type | Reset |
|------|---|------|-------|
| 31:0 | Machine exception delegation register. Not implemented, as no S-mode support. | RW | - |

RVCSR: MIDELEG Register

Offset: 0x303

Table 371. MIDELEG Register

| Bits | Description | Type | Reset |
|------|---|------|-------|
| 31:0 | Machine interrupt delegation register. Not implemented, as no S-mode support. | RW | - |

RVCSR: MIE Register

Offset: 0x304

Description

Machine interrupt enable register

Table 372. MIE Register

| Bits | Description | Type | Reset |
|-------|---|------|-------|
| 31:12 | Reserved. | - | - |
| 11 | MEIE : External interrupt enable. The processor transfers to the external interrupt vector when <code>mie.meie</code> , <code>mip.meip</code> and <code>mstatus.mie</code> are all 1. Hazard3 has internal registers to individually filter external interrupts (see <code>meiea</code>), but this standard control can be used to mask all external interrupts at once. | RW | 0x0 |
| 10:8 | Reserved. | - | - |
| 7 | MTIE : Timer interrupt enable. The processor transfers to the timer interrupt vector when <code>mie.mtie</code> , <code>mip.mtip</code> and <code>mstatus.mie</code> are all 1, unless a software or external interrupt request is also both pending and enabled at this time. | RW | 0x0 |
| 6:4 | Reserved. | - | - |
| 3 | MSIE : Software interrupt enable. The processor transfers to the software interrupt vector when <code>mie.msie</code> , <code>mip.msip</code> and <code>mstatus.mie</code> are all 1, unless an external interrupt request is also both pending and enabled at this time. | RW | 0x0 |
| 2:0 | Reserved. | - | - |

RVCSR: MTVEC Register

Offset: 0x305

Description

Machine trap handler base address.

Table 373. MTVEC Register

| Bits | Description | Type | Reset |
|------|--|------|------------|
| 31:2 | BASE : The upper 30 bits of the trap vector address (2 LSBs are implicitly 0). Must be 64-byte-aligned if vectoring is enabled. Otherwise, must be 4-byte-aligned. | RW | 0x00001fff |
| 1:0 | MODE : If 0 (direct mode), all traps set pc to the trap vector base. If 1 (vectored), exceptions set pc to the trap vector base, and interrupts set pc to 4 times the interrupt cause (3=soft IRQ, 7=timer IRQ, 11=external IRQ). The upper bit is hardwired to zero, so attempting to set mode to 2 or 3 will result in a value of 0 or 1 respectively. | RW | 0x0 |
| | Enumerated values: | | |
| | 0x0 → DIRECT: Direct entry to mtvec | | |
| | 0x1 → VECTORED: Vectored entry to a 16-entry jump table starting at mtvec | | |

RVCSR: MCOUNTEREN Register

Offset: 0x306

Description

Counter enable. Control access to counters from U-mode. Not to be confused with mcountinhibit.

Table 374. MCOUNTEREN Register

| Bits | Description | Type | Reset |
|------|---|------|-------|
| 31:3 | Reserved. | - | - |
| 2 | IR : If 1, U-mode is permitted to access the <code>instret/instreth</code> instruction retire counter CSRs. Otherwise, U-mode accesses to these CSRs will trap. | RW | 0x0 |
| 1 | TM : No hardware effect, as the <code>time/timeh</code> CSRs are not implemented. However, this field still exists, as M-mode software can use it to track whether it should emulate U-mode attempts to access those CSRs. | RW | 0x0 |
| 0 | CY : If 1, U-mode is permitted to access the <code>cycle/cycleh</code> cycle counter CSRs. Otherwise, U-mode accesses to these CSRs will trap. | RW | 0x0 |

RVCSR: MENVCFG Register

Offset: 0x30a

Description

Machine environment configuration register, low half

Table 375. MENVCFG Register

| Bits | Description | Type | Reset |
|------|--|------|-------|
| 31:1 | Reserved. | - | - |
| 0 | FIOM : When set, fence instructions in modes less privileged than M-mode which specify that IO memory accesses are ordered will also cause ordering of main memory accesses. FIOM is hardwired to zero on Hazard3, because S-mode is not supported, and because fence instructions execute as NOPs (with the exception of <code>fence.i</code>) | RO | 0x0 |

RVCSR: MSTATUSH Register

Offset: 0x310

Table 376. MSTATUSH Register

| Bits | Description | Type | Reset |
|------|---------------------------------------|------|------------|
| 31:0 | High half of mstatus, hardwired to 0. | RO | 0x00000000 |

RVCSR: MENVCFGH Register

Offset: 0x31a

Description

Machine environment configuration register, high half

This register is fully reserved, as Hazard3 does not implement the relevant extensions. It is implemented as hardwired-0.

Table 377.
MENVCFGH Register

| Bits | Description | Type | Reset |
|------|-------------|------|-------|
| 31:0 | Reserved. | - | - |

RVCSR: MCOUNTINHIBIT Register

Offset: 0x320

Description

Count inhibit register for `mcycle/minstret`

Table 378.
MCOUNTINHIBIT Register

| Bits | Description | Type | Reset |
|------|---|------|-------|
| 31:3 | Reserved. | - | - |
| 2 | IR : Inhibit counting of the <code>minstret</code> and <code>minstreth</code> registers. Set by default to save power. | RW | 0x1 |
| 1 | Reserved. | - | - |
| 0 | CY : Inhibit counting of the <code>mcycle</code> and <code>mcytleh</code> registers. Set by default to save power. | RW | 0x1 |

RVCSR: MHPMEVENT3, MHPMEVENT4, ..., MHPMEVENT30, MHPMEVENT31 Registers

Offsets: 0x323, 0x324, ..., 0x33e, 0x33f

Table 379.
MHPMEVENT3,
MHPMEVENT4, ...,
MHPMEVENT30,
MHPMEVENT31
Registers

| Bits | Description | Type | Reset |
|------|--|------|------------|
| 31:0 | Extended performance event selector, hardwired to 0. | RO | 0x00000000 |

RVCSR: MSCRATCH Register

Offset: 0x340

Table 380.
MSCRATCH Register

| Bits | Description | Type | Reset |
|------|---|------|------------|
| 31:0 | Scratch register for machine trap handlers. 32-bit read/write register with no specific hardware function. Software may use this to do a fast save/restore of a core register in a trap handler. | RW | 0x00000000 |

RVCSR: MEPC Register

Offset: 0x341

Table 381. MEPC Register

| Bits | Description | Type | Reset |
|------|--|------|------------|
| 31:2 | Machine exception program counter. When entering a trap, the current value of the program counter is recorded here. When executing an <code>mrret</code> , the processor jumps to <code>mepc</code> . Can also be read and written by software. | RW | 0x00000000 |
| 1:0 | Reserved. | - | - |

RVCSR: MCAUSE Register

Offset: 0x342

Description

Machine trap cause. Set when entering a trap to indicate the reason for the trap. Readable and writable by software.

Table 382. MCAUSE Register

| Bits | Description | Type | Reset |
|------|---|------|-------|
| 31 | INTERRUPT : If 1, the trap was caused by an interrupt. If 0, it was caused by an exception. | RW | 0x0 |
| 30:4 | Reserved. | - | - |
| 3:0 | CODE : If <code>interrupt</code> is set, <code>code</code> indicates the index of the bit in mip that caused the trap (3=soft IRQ, 7=timer IRQ, 11=external IRQ). Otherwise, <code>code</code> is set according to the cause of the exception. | RW | 0x0 |
| | Enumerated values: | | |
| | 0x0 → INSTR_ALIGN: Instruction fetch was misaligned. Will never fire on RP2350, since the C extension is enabled. | | |
| | 0x1 → INSTR_FAULT: Instruction access fault. Instruction fetch failed a PMP check, or encountered a downstream bus fault, and then passed the point of no speculation. | | |
| | 0x2 → ILLEGAL_INSTR: Illegal instruction was executed (including illegal CSR accesses) | | |
| | 0x3 → BREAKPOINT: Breakpoint. An ebreak instruction was executed when the relevant dcsr.ebreak bit was clear. | | |
| | 0x4 → LOAD_ALIGN: Load address misaligned. Hazard3 requires natural alignment of all accesses. | | |
| | 0x5 → LOAD_FAULT: Load access fault. A load failed a PMP check, or encountered a downstream bus error. | | |
| | 0x6 → STORE_ALIGN: Store/AMO address misaligned. Hazard3 requires natural alignment of all accesses. | | |
| | 0x7 → STORE_FAULT: Store/AMO access fault. A store/AMO failed a PMP check, or encountered a downstream bus error. Also set if an AMO is attempted on a region that does not support atomics (on RP2350, anything but SRAM). | | |
| | 0x8 → U_ECALL: Environment call from U-mode. | | |
| | 0xb → M_ECALL: Environment call from M-mode. | | |

RVCSR: MVAL Register

Offset: 0x343

Table 383. MVAL Register

| Bits | Description | Type | Reset |
|------|--|------|------------|
| 31:0 | Machine bad address or instruction. Hardwired to zero. | RO | 0x00000000 |

RVCSR: MIP Register

Offset: 0x344

Description

Machine interrupt pending

Table 384. MIP Register

| Bits | Description | Type | Reset |
|-------|--|------|-------|
| 31:12 | Reserved. | - | - |
| 11 | <p>MEIP: External interrupt pending. The processor transfers to the external interrupt vector when <code>mie.meie</code>, <code>mip.meip</code> and <code>mstatus.mie</code> are all 1.</p> <p>Hazard3 has internal registers to individually filter which external IRQs appear in <code>meip</code>. When <code>meip</code> is 1, this indicates there is at least one external interrupt which is asserted (hence pending in <code>mieipa</code>), enabled in <code>meiea</code>, and of priority greater than or equal to the current preemption level in <code>meicontext.preempt</code>.</p> | RO | 0x0 |
| 10:8 | Reserved. | - | - |
| 7 | MTIP: Timer interrupt pending. The processor transfers to the timer interrupt vector when <code>mie.mtie</code> , <code>mip.mtip</code> and <code>mstatus.mie</code> are all 1, unless a software or external interrupt request is also both pending and enabled at this time. | RW | 0x0 |
| 6:4 | Reserved. | - | - |
| 3 | MSIP: Software interrupt pending. The processor transfers to the software interrupt vector when <code>mie.msie</code> , <code>mip.msip</code> and <code>mstatus.mie</code> are all 1, unless an external interrupt request is also both pending and enabled at this time. | RW | 0x0 |
| 2:0 | Reserved. | - | - |

RVCSR: PMPCFG0 Register

Offset: 0x3a0

Description

Physical memory protection configuration for regions 0 through 3

Table 385. PMPCFG0 Register

| Bits | Description | Type | Reset |
|-------|--|------|-------|
| 31 | R3_L: Lock region 3, and apply it to M-mode as well as U-mode. | RW | 0x0 |
| 30:29 | Reserved. | - | - |
| 28:27 | <p>R3_A: Address matching type for region 3. Writing an unsupported value (TOR) will set the region to OFF.</p> <p>Enumerated values:</p> <p>0x0 → OFF: Disable region</p> <p>0x2 → NA4: Naturally aligned 4-byte</p> <p>0x3 → NAPOT: Naturally aligned power-of-two (8 bytes to 4 GiB)</p> | RW | 0x0 |
| 26 | R3_R: Read permission for region 3. Note R and X are transposed from the standard bit order due to erratum RP2350-E6. | RW | 0x0 |
| 25 | R3_W: Write permission for region 3 | RW | 0x0 |
| 24 | R3_X: Execute permission for region 3. Note R and X are transposed from the standard bit order due to erratum RP2350-E6. | RW | 0x0 |
| 23 | R2_L: Lock region 2, and apply it to M-mode as well as U-mode. | RW | 0x0 |
| 22:21 | Reserved. | - | - |
| 20:19 | R2_A: Address matching type for region 2. Writing an unsupported value (TOR) will set the region to OFF. | RW | 0x0 |

| Bits | Description | Type | Reset |
|-------|--|------|-------|
| | Enumerated values: | | |
| | 0x0 → OFF: Disable region | | |
| | 0x2 → NA4: Naturally aligned 4-byte | | |
| | 0x3 → NAPOT: Naturally aligned power-of-two (8 bytes to 4 GiB) | | |
| 18 | R2_R : Read permission for region 2. Note R and X are transposed from the standard bit order due to erratum RP2350-E6. | RW | 0x0 |
| 17 | R2_W : Write permission for region 2 | RW | 0x0 |
| 16 | R2_X : Execute permission for region 2. Note R and X are transposed from the standard bit order due to erratum RP2350-E6. | RW | 0x0 |
| 15 | R1_L : Lock region 1, and apply it to M-mode as well as U-mode. | RW | 0x0 |
| 14:13 | Reserved. | - | - |
| 12:11 | R1_A : Address matching type for region 1. Writing an unsupported value (TOR) will set the region to OFF. | RW | 0x0 |
| | Enumerated values: | | |
| | 0x0 → OFF: Disable region | | |
| | 0x2 → NA4: Naturally aligned 4-byte | | |
| | 0x3 → NAPOT: Naturally aligned power-of-two (8 bytes to 4 GiB) | | |
| 10 | R1_R : Read permission for region 1. Note R and X are transposed from the standard bit order due to erratum RP2350-E6. | RW | 0x0 |
| 9 | R1_W : Write permission for region 1 | RW | 0x0 |
| 8 | R1_X : Execute permission for region 1. Note R and X are transposed from the standard bit order due to erratum RP2350-E6. | RW | 0x0 |
| 7 | R0_L : Lock region 0, and apply it to M-mode as well as U-mode. | RW | 0x0 |
| 6:5 | Reserved. | - | - |
| 4:3 | R0_A : Address matching type for region 0. Writing an unsupported value (TOR) will set the region to OFF. | RW | 0x0 |
| | Enumerated values: | | |
| | 0x0 → OFF: Disable region | | |
| | 0x2 → NA4: Naturally aligned 4-byte | | |
| | 0x3 → NAPOT: Naturally aligned power-of-two (8 bytes to 4 GiB) | | |
| 2 | R0_R : Read permission for region 0. Note R and X are transposed from the standard bit order due to erratum RP2350-E6. | RW | 0x0 |
| 1 | R0_W : Write permission for region 0 | RW | 0x0 |
| 0 | R0_X : Execute permission for region 0. Note R and X are transposed from the standard bit order due to erratum RP2350-E6. | RW | 0x0 |

RVCSR: PMPCFG1 Register

Offset: 0x3a1

Description

Physical memory protection configuration for regions 4 through 7

Table 386. PMPCFG1 Register

| Bits | Description | Type | Reset |
|-------|--|------|-------|
| 31 | R7_L : Lock region 7, and apply it to M-mode as well as U-mode. | RW | 0x0 |
| 30:29 | Reserved. | - | - |
| 28:27 | R7_A : Address matching type for region 7. Writing an unsupported value (TOR) will set the region to OFF. | RW | 0x0 |
| | Enumerated values: | | |
| | 0x0 → OFF: Disable region | | |
| | 0x2 → NA4: Naturally aligned 4-byte | | |
| | 0x3 → NAPOT: Naturally aligned power-of-two (8 bytes to 4 GiB) | | |
| 26 | R7_R : Read permission for region 7. Note R and X are transposed from the standard bit order due to erratum RP2350-E6. | RW | 0x0 |
| 25 | R7_W : Write permission for region 7 | RW | 0x0 |
| 24 | R7_X : Execute permission for region 7. Note R and X are transposed from the standard bit order due to erratum RP2350-E6. | RW | 0x0 |
| 23 | R6_L : Lock region 6, and apply it to M-mode as well as U-mode. | RW | 0x0 |
| 22:21 | Reserved. | - | - |
| 20:19 | R6_A : Address matching type for region 6. Writing an unsupported value (TOR) will set the region to OFF. | RW | 0x0 |
| | Enumerated values: | | |
| | 0x0 → OFF: Disable region | | |
| | 0x2 → NA4: Naturally aligned 4-byte | | |
| | 0x3 → NAPOT: Naturally aligned power-of-two (8 bytes to 4 GiB) | | |
| 18 | R6_R : Read permission for region 6. Note R and X are transposed from the standard bit order due to erratum RP2350-E6. | RW | 0x0 |
| 17 | R6_W : Write permission for region 6 | RW | 0x0 |
| 16 | R6_X : Execute permission for region 6. Note R and X are transposed from the standard bit order due to erratum RP2350-E6. | RW | 0x0 |
| 15 | R5_L : Lock region 5, and apply it to M-mode as well as U-mode. | RW | 0x0 |
| 14:13 | Reserved. | - | - |
| 12:11 | R5_A : Address matching type for region 5. Writing an unsupported value (TOR) will set the region to OFF. | RW | 0x0 |
| | Enumerated values: | | |
| | 0x0 → OFF: Disable region | | |
| | 0x2 → NA4: Naturally aligned 4-byte | | |
| | 0x3 → NAPOT: Naturally aligned power-of-two (8 bytes to 4 GiB) | | |
| 10 | R5_R : Read permission for region 5. Note R and X are transposed from the standard bit order due to erratum RP2350-E6. | RW | 0x0 |
| 9 | R5_W : Write permission for region 5 | RW | 0x0 |

| Bits | Description | Type | Reset |
|------|--|------|-------|
| 8 | R5_X : Execute permission for region 5. Note R and X are transposed from the standard bit order due to erratum RP2350-E6. | RW | 0x0 |
| 7 | R4_L : Lock region 4, and apply it to M-mode as well as U-mode. | RW | 0x0 |
| 6:5 | Reserved. | - | - |
| 4:3 | R4_A : Address matching type for region 4. Writing an unsupported value (TOR) will set the region to OFF. | RW | 0x0 |
| | Enumerated values: | | |
| | 0x0 → OFF: Disable region | | |
| | 0x2 → NA4: Naturally aligned 4-byte | | |
| | 0x3 → NAPOT: Naturally aligned power-of-two (8 bytes to 4 GiB) | | |
| 2 | R4_R : Read permission for region 4. Note R and X are transposed from the standard bit order due to erratum RP2350-E6. | RW | 0x0 |
| 1 | R4_W : Write permission for region 4 | RW | 0x0 |
| 0 | R4_X : Execute permission for region 4. Note R and X are transposed from the standard bit order due to erratum RP2350-E6. | RW | 0x0 |

RVCSR: PMPCFG2 Register

Offset: 0x3a2

Description

Physical memory protection configuration for regions 8 through 11

Table 387. PMPCFG2 Register

| Bits | Description | Type | Reset |
|-------|--|------|-------|
| 31 | R11_L : Lock region 11, and apply it to M-mode as well as U-mode. | RO | 0x0 |
| 30:29 | Reserved. | - | - |
| 28:27 | R11_A : Address matching type for region 11. Writing an unsupported value (TOR) will set the region to OFF. | RO | 0x0 |
| | Enumerated values: | | |
| | 0x0 → OFF: Disable region | | |
| | 0x2 → NA4: Naturally aligned 4-byte | | |
| | 0x3 → NAPOT: Naturally aligned power-of-two (8 bytes to 4 GiB) | | |
| 26 | R11_R : Read permission for region 11. Note R and X are transposed from the standard bit order due to erratum RP2350-E6. | RO | 0x0 |
| 25 | R11_W : Write permission for region 11 | RO | 0x0 |
| 24 | R11_X : Execute permission for region 11. Note R and X are transposed from the standard bit order due to erratum RP2350-E6. | RO | 0x0 |
| 23 | R10_L : Lock region 10, and apply it to M-mode as well as U-mode. | RO | 0x0 |
| 22:21 | Reserved. | - | - |
| 20:19 | R10_A : Address matching type for region 10. Writing an unsupported value (TOR) will set the region to OFF. | RO | 0x3 |
| | Enumerated values: | | |

| Bits | Description | Type | Reset |
|-------|--|------|-------|
| | 0x0 → OFF: Disable region | | |
| | 0x2 → NA4: Naturally aligned 4-byte | | |
| | 0x3 → NAPOT: Naturally aligned power-of-two (8 bytes to 4 GiB) | | |
| 18 | R10_R : Read permission for region 10. Note R and X are transposed from the standard bit order due to erratum RP2350-E6. | RO | 0x1 |
| 17 | R10_W : Write permission for region 10 | RO | 0x1 |
| 16 | R10_X : Execute permission for region 10. Note R and X are transposed from the standard bit order due to erratum RP2350-E6. | RO | 0x1 |
| 15 | R9_L : Lock region 9, and apply it to M-mode as well as U-mode. | RO | 0x0 |
| 14:13 | Reserved. | - | - |
| 12:11 | R9_A : Address matching type for region 9. Writing an unsupported value (TOR) will set the region to OFF. | RO | 0x3 |
| | Enumerated values: | | |
| | 0x0 → OFF: Disable region | | |
| | 0x2 → NA4: Naturally aligned 4-byte | | |
| | 0x3 → NAPOT: Naturally aligned power-of-two (8 bytes to 4 GiB) | | |
| 10 | R9_R : Read permission for region 9. Note R and X are transposed from the standard bit order due to erratum RP2350-E6. | RO | 0x1 |
| 9 | R9_W : Write permission for region 9 | RO | 0x1 |
| 8 | R9_X : Execute permission for region 9. Note R and X are transposed from the standard bit order due to erratum RP2350-E6. | RO | 0x1 |
| 7 | R8_L : Lock region 8, and apply it to M-mode as well as U-mode. | RO | 0x0 |
| 6:5 | Reserved. | - | - |
| 4:3 | R8_A : Address matching type for region 8. Writing an unsupported value (TOR) will set the region to OFF. | RO | 0x3 |
| | Enumerated values: | | |
| | 0x0 → OFF: Disable region | | |
| | 0x2 → NA4: Naturally aligned 4-byte | | |
| | 0x3 → NAPOT: Naturally aligned power-of-two (8 bytes to 4 GiB) | | |
| 2 | R8_R : Read permission for region 8. Note R and X are transposed from the standard bit order due to erratum RP2350-E6. | RO | 0x1 |
| 1 | R8_W : Write permission for region 8 | RO | 0x1 |
| 0 | R8_X : Execute permission for region 8. Note R and X are transposed from the standard bit order due to erratum RP2350-E6. | RO | 0x1 |

RVCSR: PMPCFG3 Register

Offset: 0x3a3

Description

Physical memory protection configuration for regions 12 through 15

Table 388. PMPCFG3 Register

| Bits | Description | Type | Reset |
|-------|--|------|-------|
| 31 | R15_L : Lock region 15, and apply it to M-mode as well as U-mode. | RO | 0x0 |
| 30:29 | Reserved. | - | - |
| 28:27 | R15_A : Address matching type for region 15. Writing an unsupported value (TOR) will set the region to OFF. | RO | 0x0 |
| | Enumerated values: | | |
| | 0x0 → OFF: Disable region | | |
| | 0x2 → NA4: Naturally aligned 4-byte | | |
| | 0x3 → NAPOT: Naturally aligned power-of-two (8 bytes to 4 GiB) | | |
| 26 | R15_R : Read permission for region 15. Note R and X are transposed from the standard bit order due to erratum RP2350-E6. | RO | 0x0 |
| 25 | R15_W : Write permission for region 15 | RO | 0x0 |
| 24 | R15_X : Execute permission for region 15. Note R and X are transposed from the standard bit order due to erratum RP2350-E6. | RO | 0x0 |
| 23 | R14_L : Lock region 14, and apply it to M-mode as well as U-mode. | RO | 0x0 |
| 22:21 | Reserved. | - | - |
| 20:19 | R14_A : Address matching type for region 14. Writing an unsupported value (TOR) will set the region to OFF. | RO | 0x0 |
| | Enumerated values: | | |
| | 0x0 → OFF: Disable region | | |
| | 0x2 → NA4: Naturally aligned 4-byte | | |
| | 0x3 → NAPOT: Naturally aligned power-of-two (8 bytes to 4 GiB) | | |
| 18 | R14_R : Read permission for region 14. Note R and X are transposed from the standard bit order due to erratum RP2350-E6. | RO | 0x0 |
| 17 | R14_W : Write permission for region 14 | RO | 0x0 |
| 16 | R14_X : Execute permission for region 14. Note R and X are transposed from the standard bit order due to erratum RP2350-E6. | RO | 0x0 |
| 15 | R13_L : Lock region 13, and apply it to M-mode as well as U-mode. | RO | 0x0 |
| 14:13 | Reserved. | - | - |
| 12:11 | R13_A : Address matching type for region 13. Writing an unsupported value (TOR) will set the region to OFF. | RO | 0x0 |
| | Enumerated values: | | |
| | 0x0 → OFF: Disable region | | |
| | 0x2 → NA4: Naturally aligned 4-byte | | |
| | 0x3 → NAPOT: Naturally aligned power-of-two (8 bytes to 4 GiB) | | |
| 10 | R13_R : Read permission for region 13. Note R and X are transposed from the standard bit order due to erratum RP2350-E6. | RO | 0x0 |
| 9 | R13_W : Write permission for region 13 | RO | 0x0 |
| 8 | R13_X : Execute permission for region 13. Note R and X are transposed from the standard bit order due to erratum RP2350-E6. | RO | 0x0 |

| Bits | Description | Type | Reset |
|------|--|------|-------|
| 7 | R12_L : Lock region 12, and apply it to M-mode as well as U-mode. | RO | 0x0 |
| 6:5 | Reserved. | - | - |
| 4:3 | R12_A : Address matching type for region 12. Writing an unsupported value (TOR) will set the region to OFF. | RO | 0x0 |
| | Enumerated values: | | |
| | 0x0 → OFF: Disable region | | |
| | 0x2 → NA4: Naturally aligned 4-byte | | |
| | 0x3 → NAPOT: Naturally aligned power-of-two (8 bytes to 4 GiB) | | |
| 2 | R12_R : Read permission for region 12. Note R and X are transposed from the standard bit order due to erratum RP2350-E6. | RO | 0x0 |
| 1 | R12_W : Write permission for region 12 | RO | 0x0 |
| 0 | R12_X : Execute permission for region 12. Note R and X are transposed from the standard bit order due to erratum RP2350-E6. | RO | 0x0 |

RVCSR: PMPADDR0 Register

Offset: 0x3b0

Table 389. PMPADDR0 Register

| Bits | Description | Type | Reset |
|-------|---|------|------------|
| 31:30 | Reserved. | - | - |
| 29:0 | Physical memory protection address for region 0. Note all PMP addresses are in units of four bytes. | RW | 0x00000000 |

RVCSR: PMPADDR1 Register

Offset: 0x3b1

Table 390. PMPADDR1 Register

| Bits | Description | Type | Reset |
|-------|---|------|------------|
| 31:30 | Reserved. | - | - |
| 29:0 | Physical memory protection address for region 1. Note all PMP addresses are in units of four bytes. | RW | 0x00000000 |

RVCSR: PMPADDR2 Register

Offset: 0x3b2

Table 391. PMPADDR2 Register

| Bits | Description | Type | Reset |
|-------|---|------|------------|
| 31:30 | Reserved. | - | - |
| 29:0 | Physical memory protection address for region 2. Note all PMP addresses are in units of four bytes. | RW | 0x00000000 |

RVCSR: PMPADDR3 Register

Offset: 0x3b3

Table 392. PMPADDR3 Register

| Bits | Description | Type | Reset |
|-------|-------------|------|-------|
| 31:30 | Reserved. | - | - |

| Bits | Description | Type | Reset |
|------|---|------|------------|
| 29:0 | Physical memory protection address for region 3. Note all PMP addresses are in units of four bytes. | RW | 0x00000000 |

RVCSR: PMPADDR4 Register

Offset: 0x3b4

Table 393. PMPADDR4 Register

| Bits | Description | Type | Reset |
|-------|---|------|------------|
| 31:30 | Reserved. | - | - |
| 29:0 | Physical memory protection address for region 4. Note all PMP addresses are in units of four bytes. | RW | 0x00000000 |

RVCSR: PMPADDR5 Register

Offset: 0x3b5

Table 394. PMPADDR5 Register

| Bits | Description | Type | Reset |
|-------|---|------|------------|
| 31:30 | Reserved. | - | - |
| 29:0 | Physical memory protection address for region 5. Note all PMP addresses are in units of four bytes. | RW | 0x00000000 |

RVCSR: PMPADDR6 Register

Offset: 0x3b6

Table 395. PMPADDR6 Register

| Bits | Description | Type | Reset |
|-------|---|------|------------|
| 31:30 | Reserved. | - | - |
| 29:0 | Physical memory protection address for region 6. Note all PMP addresses are in units of four bytes. | RW | 0x00000000 |

RVCSR: PMPADDR7 Register

Offset: 0x3b7

Table 396. PMPADDR7 Register

| Bits | Description | Type | Reset |
|-------|---|------|------------|
| 31:30 | Reserved. | - | - |
| 29:0 | Physical memory protection address for region 7. Note all PMP addresses are in units of four bytes. | RW | 0x00000000 |

RVCSR: PMPADDR8 Register

Offset: 0x3b8

Table 397. PMPADDR8 Register

| Bits | Description | Type | Reset |
|-------|-------------|------|-------|
| 31:30 | Reserved. | - | - |

| Bits | Description | Type | Reset |
|------|--|------|------------|
| 29:0 | Physical memory protection address for region 8. Note all PMP addresses are in units of four bytes. Hardwired to the address range <code>0x00000000</code> through <code>0x0fffffff</code> , which contains the boot ROM. This range is made accessible to User mode by default. User mode access to this range can be disabled using one of the dynamically configurable PMP regions, or using the permission registers in ACCESSCTRL. | RO | 0x01ffffff |

RVCSR: PMPADDR9 Register

Offset: 0x3b9

Table 398. PMPADDR9 Register

| Bits | Description | Type | Reset |
|-------|--|------|------------|
| 31:30 | Reserved. | - | - |
| 29:0 | Physical memory protection address for region 9. Note all PMP addresses are in units of four bytes. Hardwired to the address range <code>0x40000000</code> through <code>0x5fffffff</code> , which contains the system peripherals. This range is made accessible to User mode by default. User mode access to this range can be disabled using one of the dynamically configurable PMP regions, or using the permission registers in ACCESSCTRL. | RO | 0x13ffffff |

RVCSR: PMPADDR10 Register

Offset: 0x3ba

Table 399. PMPADDR10 Register

| Bits | Description | Type | Reset |
|-------|---|------|------------|
| 31:30 | Reserved. | - | - |
| 29:0 | Physical memory protection address for region 10. Note all PMP addresses are in units of four bytes. Hardwired to the address range <code>0xd0000000</code> through <code>0xdfffffff</code> , which contains the core-local peripherals (SIO). This range is made accessible to User mode by default. User mode access to this range can be disabled using one of the dynamically configurable PMP regions, or using the permission registers in ACCESSCTRL. | RO | 0x35ffffff |

RVCSR: PMPADDR11 Register

Offset: 0x3bb

Table 400.
PMPADDR11 Register

| Bits | Description | Type | Reset |
|-------|--|------|------------|
| 31:30 | Reserved. | - | - |
| 29:0 | Physical memory protection address for region 11. Note all PMP addresses are in units of four bytes. Hardwired to all-zeroes. This region is not implemented. | RO | 0x00000000 |

RVCSR: PMPADDR12 Register

Offset: 0x3bc

Table 401.
PMPADDR12 Register

| Bits | Description | Type | Reset |
|-------|--|------|------------|
| 31:30 | Reserved. | - | - |
| 29:0 | Physical memory protection address for region 12. Note all PMP addresses are in units of four bytes. Hardwired to all-zeroes. This region is not implemented. | RO | 0x00000000 |

RVCSR: PMPADDR13 Register

Offset: 0x3bd

Table 402.
PMPADDR13 Register

| Bits | Description | Type | Reset |
|-------|--|------|------------|
| 31:30 | Reserved. | - | - |
| 29:0 | Physical memory protection address for region 13. Note all PMP addresses are in units of four bytes. Hardwired to all-zeroes. This region is not implemented. | RO | 0x00000000 |

RVCSR: PMPADDR14 Register

Offset: 0x3be

Table 403.
PMPADDR14 Register

| Bits | Description | Type | Reset |
|-------|--|------|------------|
| 31:30 | Reserved. | - | - |
| 29:0 | Physical memory protection address for region 14. Note all PMP addresses are in units of four bytes. Hardwired to all-zeroes. This region is not implemented. | RO | 0x00000000 |

RVCSR: PMPADDR15 Register

Offset: 0x3bf

Table 404.
PMPADDR15 Register

| Bits | Description | Type | Reset |
|-------|--|------|------------|
| 31:30 | Reserved. | - | - |
| 29:0 | Physical memory protection address for region 15. Note all PMP addresses are in units of four bytes. Hardwired to all-zeroes. This region is not implemented. | RO | 0x00000000 |

RVCSR: TSELECT Register

Offset: 0x7a0

Table 405. TSELECT Register

| Bits | Description | Type | Reset |
|------|---|------|-------|
| 31:2 | Reserved. | - | - |
| 1:0 | Select trigger to be configured via <code>tdata1/tdata2</code> On RP2350, four instruction address triggers are implemented, so only the two LSBs of this register are writable. | RW | 0x0 |

RVCSR: TDATA1 Register

Offset: 0x7a1

Description

Trigger configuration data 1

Hazard 3 only supports address/data match triggers (type=2) so this register description includes the `mcontrol` fields for this type.

More precisely, Hazard3 only supports exact instruction address match triggers (hardware breakpoints) so many of this register's fields are hardwired.

Table 406. TDATA1 Register

| Bits | Description | Type | Reset |
|-------|--|------|-------|
| 31:28 | TYPE: Trigger type. Hardwired to type=2, meaning an address/data match trigger | RO | 0x2 |
| 27 | DMODE: If 0, both Debug and M-mode can write the <code>tdata</code> registers at the selected <code>tselect</code> . If 1, only Debug Mode can write the <code>tdata</code> registers at the selected <code>tselect</code> . Writes from other modes are ignored. This bit is only writable from Debug Mode | RW | 0x0 |
| 26:21 | MASKMAX: Value of 0 indicates only exact address matches are supported | RO | 0x00 |
| 20 | HIT: Trigger hit flag. Not implemented, hardwired to 0. | RO | 0x0 |
| 19 | SELECT: Hardwired value of 0 indicates that only address matches are supported, not data matches | RO | 0x0 |
| 18 | TIMING: Hardwired value of 0 indicates that trigger fires before the triggering instruction executes, not afterward | RO | 0x0 |
| 17:16 | SIZELO: Hardwired value of 0 indicates that access size matching is not supported | RO | 0x0 |
| 15:12 | ACTION: Select action to be taken when the trigger fires. | RW | 0x0 |
| | Enumerated values: | | |

| Bits | Description | Type | Reset |
|------|--|------|-------|
| | 0x0 → EBREAK: Raise a breakpoint exception, which can be handled by the M-mode exception handler | | |
| | 0x1 → DEBUG: Enter debug mode. This action is only selectable when <code>tdata1.dmode</code> is 1. | | |
| 11 | CHAIN : Hardwired to 0 to indicate trigger chaining is not supported. | RO | 0x0 |
| 10:7 | MATCH : Hardwired to 0 to indicate match is always on the full address specified by <code>tdata2</code> | RO | 0x0 |
| 6 | M : When set, enable this trigger in M-mode | RW | 0x0 |
| 5:4 | Reserved. | - | - |
| 3 | U : When set, enable this trigger in U-mode | RW | 0x0 |
| 2 | EXECUTE : When set, the trigger fires on the address of an instruction that is executed. | RW | 0x0 |
| 1 | STORE : Hardwired to 0 to indicate store address/data triggers are not supported | RO | 0x0 |
| 0 | LOAD : Hardwired to 0 to indicate load address/data triggers are not supported | RO | 0x0 |

RVCSR: TDATA2 Register

Offset: 0x7a2

Table 407. TDATA2 Register

| Bits | Description | Type | Reset |
|------|--|------|------------|
| 31:0 | Trigger configuration data 2 Contains the address for instruction address triggers (hardware breakpoints) | RW | 0x00000000 |

RVCSR: DCSR Register

Offset: 0x7b0

Description

Debug control and status register. Access outside of Debug Mode will cause an illegal instruction exception.

Table 408. DCSR Register

| Bits | Description | Type | Reset |
|-------|--|------|-------|
| 31:28 | XDEBUGVER : Hardwired to 4: external debug support as per RISC-V 0.13.2 debug specification. | RO | 0x4 |
| 27:16 | Reserved. | - | - |
| 15 | EBREAKM : When 1, <code>ebreak</code> instructions executed in M-mode will break to Debug Mode instead of trapping | RW | 0x0 |
| 14:13 | Reserved. | - | - |
| 12 | EBREAKU : When 1, <code>ebreak</code> instructions executed in U-mode will break to Debug Mode instead of trapping. | RW | 0x0 |
| 11 | STEPIE : Hardwired to 0: no interrupts are taken during hardware single-stepping. | RO | 0x0 |
| 10 | STOPCOUNT : Hardwired to 1: <code>mcycle/mcycleh</code> and <code>minstret/minstreth</code> do not increment in Debug Mode. | RO | 0x1 |

| Bits | Description | Type | Reset |
|------|--|------|-------|
| 9 | STOPTIME : Hardwired to 1: core-local timers don't increment in debug mode. External timers (e.g. hart-shared) may be configured to ignore this. | RO | 0x1 |
| 8:6 | CAUSE : Set by hardware when entering debug mode. | RO | 0x0 |
| | Enumerated values: | | |
| | 0x1 → EBREAK: An ebreak instruction was executed when the relevant <code>dcsr.ebreakx</code> bit was set. | | |
| | 0x2 → TRIGGER: The trigger module caused a breakpoint exception. | | |
| | 0x3 → HALTREQ: Processor entered Debug Mode due to a halt request, or a reset-halt request present when the core reset was released. | | |
| | 0x4 → STEP: Processor entered Debug Mode after executing one instruction with single-stepping enabled. | | |
| 5:3 | Reserved. | - | - |
| 2 | STEP : When 1, re-enter Debug Mode after each instruction executed in M-mode or U-mode. | RW | 0x0 |
| 1:0 | PRV : Read the privilege mode the core was in when entering Debug Mode, and set the privilege mode the core will execute in when returning from Debug Mode. | RW | 0x3 |

RVCSR: DPC Register

Offset: 0x7b1

Table 409. DPC Register

| Bits | Description | Type | Reset |
|------|---|------|------------|
| 31:1 | Debug program counter. When entering Debug Mode, <code>dpc</code> samples the current program counter, e.g. the address of an <code>ebreak</code> which caused Debug Mode entry. When leaving debug mode, the processor jumps to <code>dpc</code> . The host may read/write this register whilst in Debug Mode. | RW | 0x00000000 |
| 0 | Reserved. | - | - |

RVCSR: MCYCLE Register

Offset: 0xb00

Description

Machine-mode cycle counter, low half

Table 410. MCYCLE Register

| Bits | Description | Type | Reset |
|------|---|------|------------|
| 31:0 | Counts up once per cycle, when <code>mcountinhibit.cy</code> is 0. Disabled by default to save power. | RW | 0x00000000 |

RVCSR: MINSTRET Register

Offset: 0xb02

Description

Machine-mode instruction retire counter, low half

Table 411. MINSTRET Register

| Bits | Description | Type | Reset |
|------|---|------|------------|
| 31:0 | Counts up once per instruction, when <code>mcountinhibit.ir</code> is 0. Disabled by default to save power. | RW | 0x00000000 |

RVCSR: MHPMCOUNTER3, MHPMCOUNTER4, ..., MHPMCOUNTER30, MHPMCOUNTER31 Registers

Offsets: 0xb03, 0xb04, ..., 0xb1e, 0xb1f

Table 412. MHPMCOUNTER3, MHPMCOUNTER4, ..., MHPMCOUNTER30, MHPMCOUNTER31 Registers

| Bits | Description | Type | Reset |
|------|---|------|------------|
| 31:0 | Extended performance counter, hardwired to 0. | RO | 0x00000000 |

RVCSR: MCYCLEH Register

Offset: 0xb80

Description

Machine-mode cycle counter, high half

Table 413. MCYCLEH Register

| Bits | Description | Type | Reset |
|------|--|------|------------|
| 31:0 | Counts up once per 1 << 32 cycles, when <code>mcountinhibit.cy</code> is 0. Disabled by default to save power. | RW | 0x00000000 |

RVCSR: MINSTRETH Register

Offset: 0xb82

Description

Machine-mode instruction retire counter, low half

Table 414. MINSTRETH Register

| Bits | Description | Type | Reset |
|------|--|------|------------|
| 31:0 | Counts up once per 1 << 32 instructions, when <code>mcountinhibit.ir</code> is 0. Disabled by default to save power. | RW | 0x00000000 |

RVCSR: MHPMCOUNTER3H, MHPMCOUNTER4H, ..., MHPMCOUNTER30H, MHPMCOUNTER31H Registers

Offsets: 0xb83, 0xb84, ..., 0xb9e, 0xb9f

Table 415. MHPMCOUNTER3H, MHPMCOUNTER4H, ..., MHPMCOUNTER30H, MHPMCOUNTER31H Registers

| Bits | Description | Type | Reset |
|------|---|------|------------|
| 31:0 | Extended performance counter, hardwired to 0. | RO | 0x00000000 |

RVCSR: PMPCFGM0 Register

Offset: 0xbd0

Table 416. PMPCFGM0 Register

| Bits | Description | Type | Reset |
|-------|-------------|------|-------|
| 31:16 | Reserved. | - | - |

| Bits | Description | Type | Reset |
|------|--|------|--------|
| 15:0 | <p>PMP M-mode configuration. One bit per PMP region. Setting a bit makes the corresponding region apply to M-mode (like the <code>pmpcfg.L</code> bit) but does not lock the region.</p> <p>PMP is useful for non-security-related purposes, such as stack guarding and peripheral emulation. This extension allows M-mode to freely use any currently unlocked regions for its own purposes, without the inconvenience of having to lock them.</p> <p>Note that this does not grant any new capabilities to M-mode, since in the base standard it is already possible to apply unlocked regions to M-mode by locking them. In general, PMP regions should be locked in ascending region number order so they can't be subsequently overridden by currently unlocked regions.</p> <p>Note also that this is not the same as the rule locking bypass bit in the ePMP extension, which does not permit locked and unlocked M-mode regions to coexist.</p> <p>This is a Hazard3 custom CSR.</p> | RW | 0x0000 |

RVCSR: MEIEA Register

Offset: 0xbe0

Description

External interrupt enable array.

The array contains a read-write bit for each external interrupt request: a 1 bit indicates that interrupt is currently enabled. At reset, all external interrupts are disabled.

If enabled, an external interrupt can cause assertion of the standard RISC-V machine external interrupt pending flag (`mip.meip`), and therefore cause the processor to enter the external interrupt vector. See `meipa`.

There are up to 512 external interrupts. The upper half of this register contains a 16-bit window into the full 512-bit vector. The window is indexed by the 5 LSBs of the write data.

Table 417. MEIEA Register

| Bits | Description | Type | Reset |
|-------|--|------|--------|
| 31:16 | WINDOW: 16-bit read/write window into the external interrupt enable array | RW | 0x0000 |
| 15:5 | Reserved. | - | - |
| 4:0 | INDEX: Write-only self-clearing field (no value is stored) used to control which window of the array appears in <code>window</code> . | WO | 0x00 |

RVCSR: MEIPA Register

Offset: 0xbe1

Description

External interrupt pending array

Contains a read-only bit for each external interrupt request. Similarly to `meiea`, this register is a window into an array of up to 512 external interrupt flags. The status appears in the upper 16 bits of the value read from `meipa`, and the lower 5 bits of the value *written* by the same CSR instruction (or 0 if no write takes place) select a 16-bit window of the full interrupt pending array.

A 1 bit indicates that interrupt is currently asserted. IRQs are assumed to be level-sensitive, and the relevant `meipa` bit is

cleared by servicing the requestor so that it deasserts its interrupt request.

When any interrupt of sufficient priority is both set in `meipa` and enabled in `meiea`, the standard RISC-V external interrupt pending bit `mip.meip` is asserted. In other words, `meipa` is filtered by `meiea` to generate the standard `mip.meip` flag.

Table 418. MEIPA Register

| Bits | Description | Type | Reset |
|-------|---|------|-------|
| 31:16 | WINDOW: 16-bit read-only window into the external interrupt pending array | RO | - |
| 15:5 | Reserved. | - | - |
| 4:0 | INDEX: Write-only, self-clearing field (no value is stored) used to control which window of the array appears in <code>window</code> . | WO | 0x00 |

RVCSR: MEIFA Register

Offset: 0xbe2

Description

External interrupt force array

Contains a read-write bit for every interrupt request. Writing a 1 to a bit in the interrupt force array causes the corresponding bit to become pending in `meipa`. Software can use this feature to manually trigger a particular interrupt.

There are no restrictions on using `meifa` inside of an interrupt. The more useful case here is to schedule some lower-priority handler from within a high-priority interrupt, so that it will execute before the core returns to the foreground code. Implementers may wish to reserve some external IRQs with their external inputs tied to 0 for this purpose.

Bits can be cleared by software, and are cleared automatically by hardware upon a read of `meinext` which returns the corresponding IRQ number in `meinext.irq` with `mienext.noirq` clear (no matter whether `meinext.update` is written).

`meifa` implements the same array window indexing scheme as `meiea` and `meipa`.

Table 419. MEIFA Register

| Bits | Description | Type | Reset |
|-------|---|------|--------|
| 31:16 | WINDOW: 16-bit read/write window into the external interrupt force array | RW | 0x0000 |
| 15:5 | Reserved. | - | - |
| 4:0 | INDEX: Write-only, self-clearing field (no value is stored) used to control which window of the array appears in <code>window</code> . | WO | 0x00 |

RVCSR: MEIPRA Register

Offset: 0xbe3

Description

External interrupt priority array

Each interrupt has an (up to) 4-bit priority value associated with it, and each access to this register reads and/or writes a 16-bit window containing four such priority values. When less than 16 priority levels are available, the LSBs of the priority fields are hardwired to 0.

When an interrupt's priority is lower than the current preemption priority `meicontext.preempt`, it is treated as not being pending for the purposes of `mip.meip`. The pending bit in `meipa` will still assert, but the machine external interrupt pending bit `mip.meip` will not, so the processor will ignore this interrupt. See `meicontext`.

Table 420. MEIPRA Register

| Bits | Description | Type | Reset |
|-------|--|------|--------|
| 31:16 | WINDOW: 16-bit read/write window into the external interrupt priority array, containing four 4-bit priority values. | RW | 0x0000 |
| 15:5 | Reserved. | - | - |

| Bits | Description | Type | Reset |
|------|---|------|-------|
| 4:0 | INDEX: Write-only, self-clearing field (no value is stored) used to control which window of the array appears in <code>window</code> . | WO | 0x00 |

RVCSR: MEINEXT Register

Offset: 0xbe4

Description

Get next external interrupt

Contains the index of the highest-priority external interrupt which is both asserted in `meipa` and enabled in `meiea`, left-shifted by 2 so that it can be used to index an array of 32-bit function pointers. If there is no such interrupt, the MSB is set.

When multiple interrupts of the same priority are both pending and enabled, the lowest-numbered wins. Interrupts with priority less than `meicontext.ppreempt` – the *previous* preemption priority – are treated as though they are not pending. This is to ensure that a preempting interrupt frame does not service interrupts which may be in progress in the frame that was preempted.

Table 421. MEINEXT Register

| Bits | Description | Type | Reset |
|-------|--|------|-------|
| 31 | NOIRQ: Set when there is no external interrupt which is enabled, pending, and has priority greater than or equal to <code>meicontext.ppreempt</code> . Can be efficiently tested with a <code>bltz</code> or <code>bgez</code> instruction. | RO | 0x0 |
| 30:11 | Reserved. | - | - |
| 10:2 | IRQ: Index of the highest-priority active external interrupt. Zero when no external interrupts with sufficient priority are both pending and enabled. | RO | 0x000 |
| 1 | Reserved. | - | - |
| 0 | UPDATE: Writing 1 (self-clearing) causes hardware to update <code>meicontext</code> according to the IRQ number and preemption priority of the interrupt indicated in <code>noirq/irq</code> . This should be done in a single atomic operation, i.e. <code>csrrsi a0, meicontext, 0x1</code> . | SC | 0x0 |

RVCSR: MEICONTEXT Register

Offset: 0xbe5

Description

External interrupt context register

Configures the priority level for interrupt preemption, and helps software track which interrupt it is currently in. The latter is useful when a common interrupt service routine handles interrupt requests from multiple instances of the same peripheral.

A three-level stack of preemption priorities is maintained in the `preempt`, `ppreempt` and `pppreempt` fields. The priority stack is saved when hardware enters the external interrupt vector, and restored by an `mret` instruction if `meicontext.mreteirq` is set.

The top entry of the priority stack, `preempt`, is used by hardware to ensure that only higher-priority interrupts can preempt the current interrupt. The next entry, `ppreempt`, is used to avoid servicing interrupts which may already be in progress in a frame that was preempted. The third entry, `pppreempt`, has no hardware effect, but ensures that `preempt` and `ppreempt` can be correctly saved/restored across arbitrary levels of preemption.

Table 422. MEICONTEXT Register

| Bits | Description | Type | Reset |
|-------|---|------|-------|
| 31:28 | PPREEMPT : Previous <code>ppreempt</code> . Set to <code>ppreempt</code> on priority save, set to zero on priority restore. Has no hardware effect, but ensures that when <code>meicontext</code> is saved/restored correctly, <code>preempt</code> and <code>ppreempt</code> stack correctly through arbitrarily many preemption frames. | RW | 0x0 |
| 27:24 | PREEMPT : Previous <code>preempt</code> . Set to <code>preempt</code> on priority save, restored to <code>ppreempt</code> on priority restore. IRQs of lower priority than <code>ppreempt</code> are not visible in <code>meinext</code> , so that a preemptee is not re-taken in the preempting frame. | RW | 0x0 |
| 23:21 | Reserved. | - | - |
| 20:16 | PREEMPT : Minimum interrupt priority to preempt the current interrupt. Interrupts with lower priority than <code>preempt</code> do not cause the core to transfer to an interrupt handler. Updated by hardware when <code>meinext.update</code> is written, or when hardware enters the external interrupt vector. If an interrupt is present in <code>meinext</code> when this field is updated, then <code>preempt</code> is set to one level greater than that interrupt's priority. Otherwise, <code>ppreempt</code> is set to one level greater than the maximum interrupt priority, disabling preemption. | RW | 0x00 |
| 15 | NOIRQ : Not in interrupt (read/write). Set to 1 at reset. Set to <code>meinext.noirq</code> when <code>meinext.update</code> is written. No hardware effect. | RW | 0x1 |
| 14:13 | Reserved. | - | - |
| 12:4 | IRQ : Current IRQ number (read/write). Set to <code>meinext.irq</code> when <code>meinext.update</code> is written. No hardware effect. | RW | 0x000 |
| 3 | MTIESAVE : Reads as the current value of <code>mie.mtie</code> , if <code>clearths</code> is set by the same CSR access instruction. Otherwise reads as 0. Writes are ORed into <code>mie.mtie</code> . | RO | 0x0 |
| 2 | MSIESAVE : Reads as the current value of <code>mie.msie</code> , if <code>clearths</code> is set by the same CSR access instruction. Otherwise reads as 0. Writes are ORed into <code>mie.msie</code> . | RO | 0x0 |
| 1 | CLEARTS : Write-1 self-clearing field. Writing 1 will clear <code>mie.mtie</code> and <code>mie.msie</code> , and present their prior values in the <code>mtiesave</code> and <code>msiesave</code> of this register. This makes it safe to re-enable IRQs (via <code>mstatus.mie</code>) without the possibility of being preempted by the standard timer and soft interrupt handlers, which may not be aware of Hazard3's interrupt hardware. The clear due to <code>clearths</code> takes precedence over the set due to <code>mtiesave/msiesave</code> , although it would be unusual for software to write both on the same cycle. | SC | 0x0 |
| 0 | MRETEIRQ : If 1, enable restore of the preemption priority stack on <code>mret</code> . This bit is set on entering the external interrupt vector, cleared by <code>mret</code> , and cleared upon taking any trap other than an external interrupt. Provided <code>meicontext</code> is saved on entry to the external interrupt vector (before enabling preemption), is restored before exiting, and the standard software/timer IRQs are prevented from preempting (e.g. by using <code>clearths</code>), this flag allows the hardware to safely manage the preemption priority stack even when an external interrupt handler may take exceptions. | RW | 0x0 |

RVCSR: MSLEEP Register

Offset: 0xbf0

Description

M-mode sleep control register

Table 423. MSLEEP Register

| Bits | Description | Type | Reset |
|------|---|------|-------|
| 31:3 | Reserved. | - | - |
| 2 | SLEEPONBLOCK : Enter the deep sleep state configured by <code>msleep.deepsleep/msleep.powerdown</code> on a <code>h3.block</code> instruction, as well as a standard <code>wfi</code> . If this bit is clear, a <code>h3.block</code> is always implemented as a simple pipeline stall. | RW | 0x0 |
| 1 | POWERDOWN : Release the external power request when going to sleep. The function of this is platform-defined – it may do nothing, it may do something simple like clock-gating the fabric, or it may be tied to some complex system-level power controller. When waking, the processor reasserts its external power-up request, and will not fetch any instructions until the request is acknowledged. This may add considerable latency to the wakeup. | RW | 0x0 |
| 0 | DEEPSLEEP : Deassert the processor clock enable when entering the sleep state. If a clock gate is instantiated, this allows most of the processor (everything except the power state machine and the interrupt and halt input registers) to be clock gated whilst asleep, which may reduce the sleep current. This adds one cycle to the wakeup latency. | RW | 0x0 |

RVCSR: DMDATA0 Register

Offset: 0xbff

Table 424. DMDATA0 Register

| Bits | Description | Type | Reset |
|------|---|------|------------|
| 31:0 | The Debug Module’s DATA0 register is mapped into Hazard3’s CSR space so that the Debug Module can exchange data with the core by executing CSR access instructions (this is used to implement the Abstract Access Register command). Only accessible in Debug Mode. | RW | 0x00000000 |

RVCSR: CYCLE Register

Offset: 0xc00

Table 425. CYCLE Register

| Bits | Description | Type | Reset |
|------|---|------|------------|
| 31:0 | Read-only U-mode alias of <code>mcycle</code> , accessible when <code>mcounteren.cy</code> is set | RO | 0x00000000 |

RVCSR: INSTRET Register

Offset: 0xc02

Table 426. INSTRET Register

| Bits | Description | Type | Reset |
|------|---|------|------------|
| 31:0 | Read-only U-mode alias of <code>minstret</code> , accessible when <code>mcounteren.ir</code> is set | RO | 0x00000000 |

RVCSR: CYCLEH Register

Offset: 0xc80

Table 427. CYCLEH Register

| Bits | Description | Type | Reset |
|------|--|------|------------|
| 31:0 | Read-only U-mode alias of mcycleh, accessible when <code>mcounteren.cy</code> is set | RO | 0x00000000 |

RVCSR: INSTRETH Register

Offset: 0xc82

Table 428. INSTRETH Register

| Bits | Description | Type | Reset |
|------|--|------|------------|
| 31:0 | Read-only U-mode alias of minstreth, accessible when <code>mcounteren.ir</code> is set | RO | 0x00000000 |

RVCSR: MVENDORID Register

Offset: 0xf11

Description

Vendor ID

Table 429. MVENDORID Register

| Bits | Description | Type | Reset |
|------|--|------|-----------|
| 31:7 | BANK: Value of 9 indicates 9 continuation codes, which is JEP106 bank 10. | RO | 0x0000009 |
| 6:0 | OFFSET: ID 0x13 in bank 10 is the JEP106 ID for Raspberry Pi Ltd, the vendor of RP2350. | RO | 0x13 |

RVCSR: MARCHID Register

Offset: 0xf12

Table 430. MARCHID Register

| Bits | Description | Type | Reset |
|------|---------------------------|------|------------|
| 31:0 | Architecture ID (Hazard3) | RO | 0x0000001b |

RVCSR: MIMPID Register

Offset: 0xf13

Table 431. MIMPID Register

| Bits | Description | Type | Reset |
|------|--|------|------------|
| 31:0 | Implementation ID. On RP2350 this reads as 0x86fc4e3f, which is release v1.0-rc1 of Hazard3. | RO | 0x86fc4e3f |

RVCSR: MHARTID Register

Offset: 0xf14

Description

Hardware thread ID

Table 432. MHARTID Register

| Bits | Description | Type | Reset |
|------|--|------|-------|
| 31:0 | On RP2350, core 0 has a hart ID of 0, and core 1 has a hart ID of 1. | RO | - |

RVCSR: MCONFIGPTR Register

Offset: 0xf15

Table 433.
MCONFIGPTR Register

| Bits | Description | Type | Reset |
|------|--|------|------------|
| 31:0 | Pointer to configuration data structure (hardwired to 0) | RO | 0x00000000 |

3.9. Arm/RISC-V architecture switching

RP2350 supports both Arm and RISC-V processor architectures. SDK-based programs that don't contain assembly code typically run unmodified on either architecture by providing the appropriate build flag.

There are two processor sockets on RP2350, referred to as core 0 and core 1 throughout this document. Each socket can be occupied *either* by a Cortex-M33 processor (implementing the Armv8-M Main architecture, plus extensions) or by a Hazard3 processor (implementing the RV32IMAC architecture, plus extensions).

When a processor reset is removed, hardware samples the [ARCHSEL](#) register in the OTP control register block to determine which processor to connect to that socket. The unused processor is held in reset indefinitely, with its clock inputs gated. The default and allowable values of the [ARCHSEL](#) register are determined by critical OTP flags:

1. If [CRIT0_ARM_DISABLE](#) is set, only RISC-V is allowed.
2. Else if [CRIT0_RISCV_DISABLE](#) is set, only Arm is allowed.
3. Else if [CRIT1_SECURE_BOOT_ENABLE](#) is set, only Arm is allowed.
4. Else if [CRIT1_BOOT_ARCH](#) is set, both architectures are permitted, and the default is RISC-V.
5. If none of the above flags are set, both architectures are permitted, and the default is Arm.

No [CRIT1](#) flags are set by default, so on devices where both architectures are available, the default is Arm. To change the default architecture to RISC-V, set the [CRIT1_BOOT_ARCH](#) flag to 1.

Enabling secure boot disables the RISC-V cores because the RP2350 bootrom does not implement secure boot for RISC-V. This prevents a bad actor from side-stepping secure boot by switching architectures.

i NOTE

As of RP2350 A3 the [CRIT0_ARM_DISABLE](#) flag has no effect, removing a potential unlock path for debug on a secured RP2350. Additionally, the combination of [CRIT0_RISCV_DISABLE=1](#) and [CRIT1_BOOT_ARCH=1](#) is decoded to an invalid state, preventing boot.

RP2350 only samples the [ARCHSEL](#) register when a processor is reset. Its value is ignored at all other times, so software can program the register before a watchdog reset to implement a software-initiated switch between architectures.

Read the [ARCHSEL_STATUS](#) register to check the ARCHSEL value most recently sampled by each processor.

3.9.1. Automatic switching

RP2350 binaries contain a binary marker recognised by the bootrom. This marker:

- contains additional information such as the binary's entry point and the intended architecture: Arm, RISC-V, or both
- helps detect when a flash device is connected
- helps verify that the flash device was accessed using the correct SPI parameters

When booting with core 0 in Arm architecture mode, upon detecting a bootable RISC-V binary, the bootrom automatically resets both cores and switches them to RISC-V architecture mode. After the reset, the bootrom detects that the binary and processor architectures match, so the binary launches normally.

Likewise, when booting with core 0 in RISC-V architecture mode, upon detecting a bootable Arm binary, the bootrom automatically resets both cores and switches them to Arm architecture mode.

As a result, the USB bootloader, which runs on both Arm and RISC-V, can accept a UF2 image download for either architecture, and automatically boot it using the correct processors.

3.9.2. Mixed architecture combinations

The `ARCHSEL` register has one bit for each processor socket, so it is possible to request mixed combinations of Arm and RISC-V processors: either Arm core 0 and RISC-V core 1, or RISC-V core 0 and Arm core 1.

Practical applications for this are limited, since this requires two separate program images. The two cores interoperate normally, including shared exclusives via the global monitor: a shared variable can be safely, concurrently accessed by an Arm processor performing `ldrex`, `strex` instructions and a RISC-V processor performing `amoadd.w` instructions, for example.

Hardware supports debugging for a mixture of Arm and RISC-V processors, though this may prove challenging on the host software side. Debug resources for unused processors are dynamically marked as non-PRESENT in the top-level CoreSight ROM table.

Chapter 4. Memory

RP2350 has embedded ROM, OTP and SRAM. RP2350 provides access to external flash via a QSPI interface.

4.1. ROM

A 32 kB read-only memory (ROM) appears at address `0x00000000`. The ROM contents are fixed permanently at the time the silicon is manufactured. [Chapter 5](#) describes the ROM contents in detail, but in summary it contains:

- Core 0 Boot code ([Section 5.2](#))
- Core 1 Launch code ([Section 5.3](#))
- Runtime APIs ([Section 5.4](#)).
- USB bootloader
 - Mass storage interface for drag and drop of UF2 flash and SRAM binaries ([Section 5.5](#))
 - PICOB00T interface to support `picotool` and advanced operations like OTP programming ([Section 5.6](#))
 - Support for white-labelling all USB exposed information/identifiers ([Section 5.7](#))
- UART bootloader: minimal shell to load an SRAM binary from a host microcontroller ([Section 5.8](#))

The ROM offers single-cycle access, and has a dedicated AHB5 arbiter, so it can be accessed simultaneously with other memory devices. Writing to the ROM has no effect, and no bus fault is generated on write.

The ROM is covered by IDAU regions enumerated in [Section 10.2.2](#). These aid in partitioning the bootrom between Secure and Non-secure code: in particular the USB/UART bootloader runs as a Non-secure client application on Arm, to reduce the attack surface of the secure boot implementation.

Certain ROM features are not implemented on RISC-V, most notably secure boot.

4.2. SRAM

There is a total of 520 kB (520×1024 bytes) of on-chip SRAM. For performance reasons, this memory is physically partitioned into ten *banks*, but logically it still behaves as a single, flat 520 kB memory. RP2350 does not restrict the data stored in each bank: you can use any bank to store processor code, data buffers, or a mixture of the two. There are eight $16,384 \times 32$ -bit banks (64 kB each) and two 1024×32 -bit banks (4 kB each).

i NOTE

Banking is a *physical* partitioning of SRAM which improves performance by allowing multiple simultaneous accesses. *Logically*, there is a single 520 kB contiguous memory.

Each SRAM bank is accessed via a dedicated AHB5 arbiter. This means different bus managers can access different SRAM banks in parallel, so up to six 32-bit SRAM accesses can take place every system clock cycle (one per manager).

SRAM is mapped to system addresses starting at `0x20000000`. The first 256 kB address region, up to and including `0x2003ffff`, is word-stripped across the first four 64 kB banks. The next 256 kB address region, up to `0x2007ffff` is word-stripped across the remaining four 64 kB banks. The watermark between these two striped regions, at `0x20040000`, marks the boundary between the SRAM0 and SRAM1 power domains.

Consecutive words in the system address space are routed to different RAM banks as shown in [Table 434](#). This scheme is referred to as **sequential interleaving**, and improves bus parallelism for typical memory access patterns.

Table 434. SRAM bank0/1/2/3 striped mapping.

| System address | SRAM Bank | SRAM word address |
|----------------|-----------|-------------------|
| 0x20000000 | Bank 0 | 0 |
| 0x20000004 | Bank 1 | 0 |
| 0x20000008 | Bank 2 | 0 |
| 0x2000000c | Bank 3 | 0 |
| 0x20000010 | Bank 0 | 1 |
| 0x20000014 | Bank 1 | 1 |
| 0x20000018 | Bank 2 | 1 |
| 0x2000001c | Bank 3 | 1 |
| 0x20000020 | Bank 0 | 2 |
| 0x20000024 | Bank 1 | 2 |
| 0x20000028 | Bank 2 | 2 |
| 0x2000002c | Bank 3 | 2 |
| etc | | |

The top two 4 kB regions (starting at 0x20080000 and 0x20081000) map directly to the smaller 4 kB memory banks. Software may choose to use these for per-core purposes (e.g. stack and frequently-executed code), guaranteeing that the processors never stall on these accesses. Like all SRAM on RP2350, these banks have single-cycle access from all managers, (provided no other managers access the bank in the same cycle) so it is reasonable to treat memory as a single 520 kB device.

i NOTE

RP2040 had a non-striped SRAM mirror. RP2350 no longer has a non-striped mirror, to avoid mapping the same SRAM location as both Secure and Non-secure. You can still achieve some explicit bandwidth partitioning by allocating data across two 256 kB blocks of 4-way-striped SRAM.

4.2.1. Other on-chip memory

Besides the 520 kB main memory, there are two other dedicated RAM blocks that may be used in some circumstances:

- Cache lines can be individually pinned within the XIP address space for use as SRAM, up to the total cache size of 16 kB (see [Section 4.4.1.3](#)). Unpinned cache lines remain available for transparent caching of XIP accesses.
- If USB is not used, the USB data DPRAM can be used as a 4 kB memory starting at 0x50100000.

There is also 1 kB of dedicated boot RAM, hardwired to Secure access only, whose contents and layout is defined by the bootrom – see [Chapter 5](#).

NOTE

Memory in the peripheral address space (addresses starting with `0x4`, `0x5` or `0xd`) does not support code execution. This includes USB RAM and boot RAM. These address ranges are made IDAU-Exempt to simplify assigning peripherals to security domains using ACCESSCTRL, and consequently must be made non-executable to avoid the possibility of Non-secure-writable, Secure-executable memory.

4.3. Boot RAM

Boot RAM is a 1 kB (256 × 32-bit) SRAM dedicated for use by the bootrom. It is slower than main SRAM, as it is accessed over APB, taking three cycles for a read and four cycles for a write.

Boot RAM is used for myriad purposes during boot, including the initial pre-boot stack. After the bootrom enters the user application, boot RAM contains state for the user-facing ROM APIs, such as the resident partition table used for flash programming protection, and a copy of the flash XIP setup function (formerly known as `boot2`) to quickly re-initialise flash XIP modes following serial programming operations.

Boot RAM is hardwired to permit Secure access only (Arm) or Machine-mode access only (RISC-V). It is physically impossible to execute code from boot RAM, regardless of MPU configuration, as it is on the APB peripheral bus segment, which is not wired to the processor instruction fetch ports.

Since boot RAM is in the XIP RAM power domain, it is always powered when the switched core domain is powered. This simplifies SRAM power management in the bootrom, because it doesn't have to power up any RAM before it has a place to store the call stack.

Boot RAM supports the standard atomic set/clear/XOR accesses used by other peripherals on RP2350 (Section 2.1.3).

It is possible to use boot RAM for user-defined purposes, but this is not recommended, as it may cause ROM APIs to behave unpredictably. Calling into the ROM could modify data stored in boot RAM.

4.3.1. List of registers

A small number of registers are located on the same bus endpoint as boot RAM:

Write Once Bits

These are flags which once set, can only be cleared by a system reset. They are used in the implementation of certain bootrom security features.

Boot Locks

These function the same as the SIO spinlocks (Section 3.1.4), however they are normally reserved for bootrom purposes (Section 5.4.4).

These registers start from an offset of `0x800` above the boot RAM base address of `0x400e0000` (defined as `BOOTRAM_BASE` in the SDK).

Table 435. List of BOOTRAM registers

| Offset | Name | Info |
|--------|----------------------------|--|
| 0x800 | <code>WRITE_ONCE0</code> | This registers always ORs writes into its current contents. Once a bit is set, it can only be cleared by a reset. |
| 0x804 | <code>WRITE_ONCE1</code> | This registers always ORs writes into its current contents. Once a bit is set, it can only be cleared by a reset. |
| 0x808 | <code>BOOTLOCK_STAT</code> | Bootlock status register. 1=unclaimed, 0=claimed. These locks function identically to the SIO spinlocks, but are reserved for bootrom use. |

| Offset | Name | Info |
|--------|---------------------------|---|
| 0x80c | BOOTLOCK0 | Read to claim and check. Write to unclaim. The value returned on successful claim is $1 \ll n$, and on failed claim is zero. |
| 0x810 | BOOTLOCK1 | Read to claim and check. Write to unclaim. The value returned on successful claim is $1 \ll n$, and on failed claim is zero. |
| 0x814 | BOOTLOCK2 | Read to claim and check. Write to unclaim. The value returned on successful claim is $1 \ll n$, and on failed claim is zero. |
| 0x818 | BOOTLOCK3 | Read to claim and check. Write to unclaim. The value returned on successful claim is $1 \ll n$, and on failed claim is zero. |
| 0x81c | BOOTLOCK4 | Read to claim and check. Write to unclaim. The value returned on successful claim is $1 \ll n$, and on failed claim is zero. |
| 0x820 | BOOTLOCK5 | Read to claim and check. Write to unclaim. The value returned on successful claim is $1 \ll n$, and on failed claim is zero. |
| 0x824 | BOOTLOCK6 | Read to claim and check. Write to unclaim. The value returned on successful claim is $1 \ll n$, and on failed claim is zero. |
| 0x828 | BOOTLOCK7 | Read to claim and check. Write to unclaim. The value returned on successful claim is $1 \ll n$, and on failed claim is zero. |

BOOTRAM: WRITE_ONCE0, WRITE_ONCE1 Registers

Offsets: 0x800, 0x804

Table 436.
WRITE_ONCE0,
WRITE_ONCE1
Registers

| Bits | Description | Type | Reset |
|------|---|------|------------|
| 31:0 | This registers always ORs writes into its current contents. Once a bit is set, it can only be cleared by a reset. | RW | 0x00000000 |

BOOTRAM: BOOTLOCK_STAT Register

Offset: 0x808

Table 437.
BOOTLOCK_STAT
Register

| Bits | Description | Type | Reset |
|------|--|------|-------|
| 31:8 | Reserved. | - | - |
| 7:0 | Bootlock status register. 1=unclaimed, 0=claimed. These locks function identically to the SIO spinlocks, but are reserved for bootrom use. | RW | 0xff |

BOOTRAM: BOOTLOCK0, BOOTLOCK1, ..., BOOTLOCK6, BOOTLOCK7 Registers

Offsets: 0x80c, 0x810, ..., 0x824, 0x828

Table 438.
BOOTLOCK0,
BOOTLOCK1, ...,
BOOTLOCK6,
BOOTLOCK7 Registers

| Bits | Description | Type | Reset |
|------|---|------|------------|
| 31:0 | Read to claim and check. Write to unclaim. The value returned on successful claim is $1 \ll n$, and on failed claim is zero. | RW | 0x00000000 |

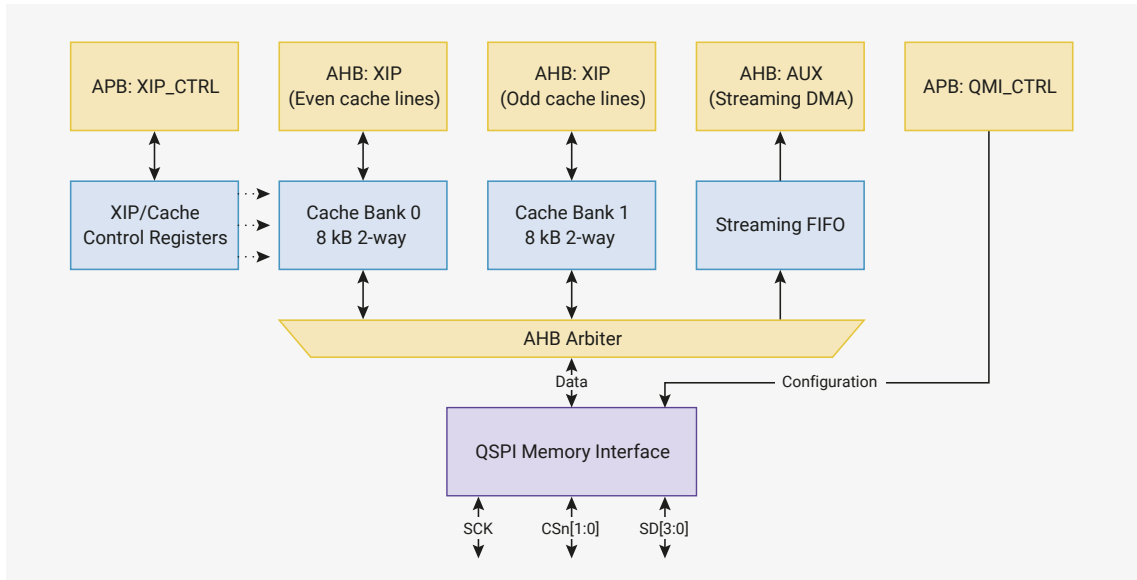
4.4. External flash and PSRAM (XIP)

RP2350 can access external flash and PSRAM via its **execute-in-place** (XIP) subsystem. The term execute-in-place refers to external memory mapped directly into the chip’s internal address space. This enables you to execute code as-

is from the external memory without explicitly copying into on-chip SRAM. For example, a processor instruction fetch from AHB address `0x10001234` results in a QSPI memory interface fetch from address `0x001234` in an external flash device.

A 16 kB on-chip cache retains the values of recent reads and writes. This reduces the chances that XIP bus accesses must go to external memory, improving the average throughput and latency of the XIP interface. The cache is physically structured as two 8 kB banks, interleaving odd and even cache lines of 8-byte granularity over the two banks. This allows processors to access multiple cache lines during the same cycle. Logically, the XIP cache behaves as a single 16 kB cache.

Figure 16. Flash execute-in-place (XIP) subsystem. The cache is split into two banks for performance, but behaves as a single 16 kB cache. XIP accesses first query the cache. If a cache entry is not found, the QMI generates an external serial access, adds the resulting data to the cache, and forwards it on to the system bus (for reads) or merges it with the AHB write data (for writes).



When booting from flash, the RP2350 bootrom (Chapter 5) sets up a baseline QMI execute-in-place configuration. User code may later reconfigure this to improve performance for a specific flash device. QSPI clock divisors can be changed at any time, including whilst executing from XIP. Other reconfiguration requires a momentary disable of the interface.

4.4.1. XIP cache

The cache is 16 kB, two-way set-associative, 1 cycle hit. It is internal to the XIP subsystem, and only involved in accesses to the QSPI memory interface, so software does not have to consider cache coherence unless performing flash programming operations. It caches accesses to a 26-bit downstream XIP address space. On RP2350, the lower half of this space is occupied by two 16 MB windows for the two QMI chip selects. RP2350 reserves the remainder for future expansion, but you can use the space to pin cache lines outside of the QMI address space for use as cache-as-SRAM (Section 4.4.1.3). The 26-bit XIP address space is mirrored multiple times in the RP2350 address space, decoded on bits 27:26 of the system bus address:

- `0x10...` : Cached XIP access
- `0x14...` : Uncached XIP access
- `0x18...` : Cache maintenance writes
- `0x1c...` : Uncached, untranslated XIP access – bypass QMI address translation

You can disable cache lookup separately for Secure and Non-secure accesses via the `CTRL.EN_SECURE` and `CTRL.EN_NONSECURE` register bits. The `CTRL` register contains controls to disable Secure/Non-secure access to the uncached and uncached/untranslated XIP windows, which avoids duplicate mappings that may otherwise require additional SAU or PMP regions.

4.4.1.1. Cache maintenance

Cache maintenance is performed on a line-by-line basis by writing into the cache maintenance mirror of the XIP address space, starting at `0x18000000`. Cache lines are 8 bytes in size. Write data is ignored; instead, the 3 LSBs of the address select the maintenance operation:

- `0x0`: Invalidate by set/way
- `0x1`: Clean by set/way
- `0x2`: Invalidate by address
- `0x3`: Clean by address
- `0x7`: Pin cache set/way at address ([Section 4.4.1.3](#))

Invalidate

Marks a cache line as no longer containing data; the next access to the same address will miss the cache. Does not write back any data to external memory. Used when external memory has been modified in a way that the cache would not automatically know about, such as a flash programming operation.

Clean

Instructs the cache to write out any data stored in the cache as a result of a previous cached write access that has not yet been written out to external memory. Used to make cached writes available to uncached reads. Also used when cache contents are about to be lost, but external memory is to stay powered (for example, when the system is about to power down).

By set/way

Selects a particular cache line to be maintained, out of the 2048×8 -byte lines that make up the cache. Bit 13 of the system bus address selects the cache way. Bits 12:3 of the address select a particular cache line within that way. Mainly used to iterate exhaustively over all cache lines (for example, during a full cache flush).

By address

Looks up an address in the cache, then performs the requested maintenance if that line is currently allocated in the cache. Used when only a particular range of XIP addresses needs to be maintained, for example, a flash page that was just programmed. Usually faster than a full flush, because the real cost of a cache flush is not in the maintenance operations, but the large number of subsequent cache misses.

Pin

Prevents a particular cache line from being evicted. Used to mark important external memory contents that must get guaranteed cache hits, or to allocate cache lines for use as cache-as-SRAM. If a cached access to some other address misses the cache and attempts to evict a pinned cache line, the eviction fails, and the access is downgraded to an uncached access.

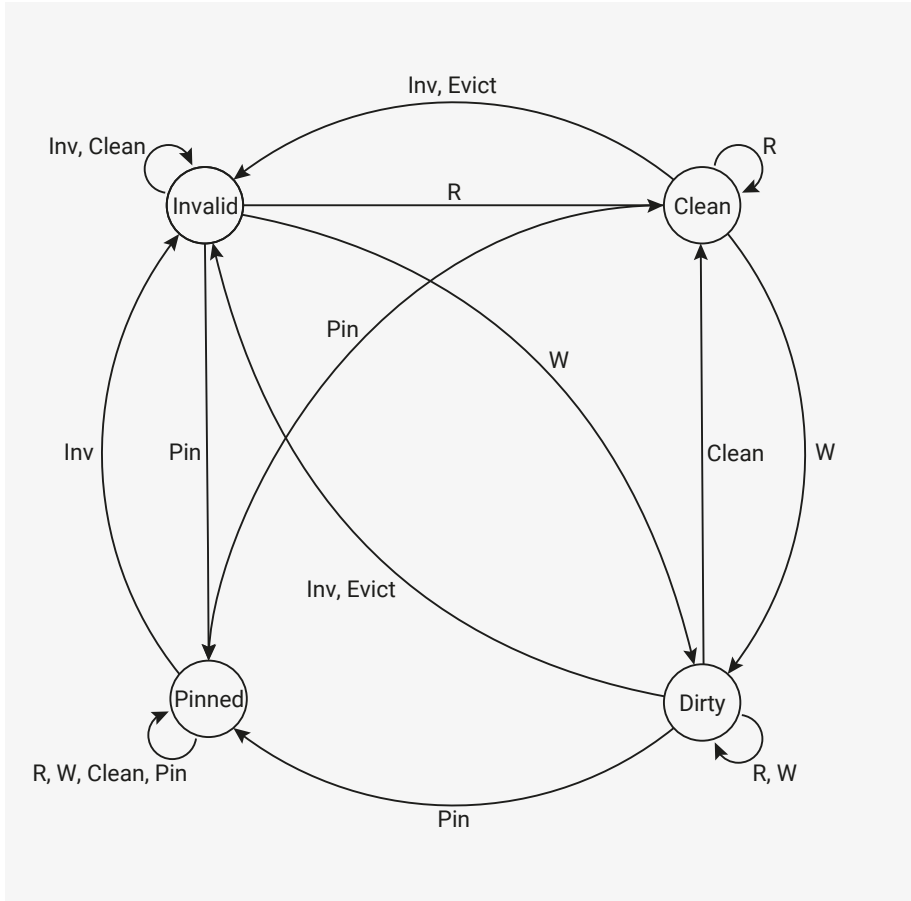
Cache maintenance operations operate on the cache's **tag memory**. This is the cache's metadata store, which tracks the state of each cache line. Maintenance operations do not affect the cache's **data memory**, which contains the cache's copy of data bytes from external memory.

By default, cache maintenance is Secure-only. Non-secure writes to the cache maintenance address window have no effect and return a bus error. Non-secure cache maintenance can be enabled by setting the `CTRL.MAINT_NONSEC` register bit, but this is not recommended if Secure software may perform cached XIP accesses.

4.4.1.2. Cache line states

The changes to a cache line caused by cached accesses and maintenance operations can be summarised by a set of state transitions.

Figure 17. State transition diagram for each cache line. *Inv*, *Clean* and *Pin* represent invalidate/clean/pin maintenance operations, respectively. *R* and *W* represent cached reads and writes. *Evict* represents a cache line deallocation to make room for a new allocation due to a read/write cache miss.



Initially, the state of all cache lines is undefined. When booting from flash, the bootrom performs an invalidate by set/way on every line of the cache to force them to a known state. In the diagram above, all states have an *Inv* arc to the invalid state.

A **dirty** cache line contains data not yet propagated to downstream memory.

A **clean** cache line contains data that matches the downstream memory contents.

Accessing an invalid cache line causes an **allocation**: the cache fetches the corresponding data from downstream memory, stores it in the cache, then marks the cache line as clean or dirty. The cache also stores part of the downstream address, known as the **tag**, to recall the downstream address stored in each cache line. Read allocations enter the clean state, so the cache line can be safely freed at any time. Write allocations enter the dirty state, so the cache line must propagate downstream before it can be freed.

Writing to a clean cache line marks it as dirty because the cache now contains write data that has not propagated downstream. The line can be explicitly returned to the clean state using a clean maintenance operation (0x1 or 0x3), but this is not required. Typically, the cache automatically propagates dirty cache lines downstream when it needs to reallocate them.

Evictions happen when a cached read or write needs to allocate a cache line that is already in the clean or dirty state. The eviction transitions the line momentarily to the invalid state, ready for allocation. For clean cache lines, this happens instantaneously. For dirty cache lines, the cache must first propagate the cache line contents downstream before it can safely enter the invalid state.

Cache lines enter the pinned state using a pin maintenance operation (0x7) and exit only by an invalidate maintenance operation (0x0 or 0x2).

i NOTE

The pin maintenance operation only marks the line as pinned; it does not perform any copying of data. When pinning lines that exist in external memory devices, you must first pin the line, then copy the downstream data into the pinned line by reading from the uncached XIP window.

4.4.1.3. Cache-as-SRAM

When you disabled the cache of RP2040, the cache would map the entire cache memory at `0x15000000`. RP2350 replaces this with the ability to pin individual cache lines. You can use this in the following ways:

- Pin the entire cache at some address range to use the entire cache as SRAM
- Pin one full cache way to make half of the cache available for cache-as-SRAM use (the remaining cache way still functions as usual)
- Pin an address range that that maps critical flash contents

i NOTE

Pinned cache lines are not accessible when the cache is disabled via the `CTRL` register (`CTRL.EN_SECURE` or `CTRL.EN_NONSECURE` depending on security level of the bus access).

Because the QMI only occupies the lower half of the 64 MB XIP address space, you can pin cache lines outside of the QMI address range (e.g. at the top of the XIP space) to avoid interfering with any QMI accesses. As a general rule, the more cache you pin, the lower the cache hit rate for other accesses.

Cache lines are pinned using the pin maintenance operation (`0x7`), which performs the following steps:

1. An implicit invalidate-by-address operation (`0x2`) using the full address of the maintenance operation
 - This ensures that each address is allocated in only one cache way (required for correct cache operation)
2. Select the cache line to be pinned, using bit 13 to select the cache way, and bits 12:3 to select the cache set (as with `0x0/0x1` invalidate/clean by set/way commands)
3. Write the address to the cache line's tag entry
4. Change the cache line's state to pinned (as per the state diagram in [Section 4.4.1.2](#))
5. Update the cache line's tag with the full address of the maintenance operation

After a pin operation, cached reads and writes to the specified address always hit the cache until that cache line is either invalidated or pinned to a different address.

i NOTE

Pinning two addresses that are equal modulo cache size pins the same cache line twice. It does *not* pin two different cache lines. The second pin will overwrite the first.

When a cached access hits a pinned cache line, it behaves the same as a dirty line. The cache reads and writes as if allocated in the cache by normal means.

Cache eviction policy is random, and the cache only makes one attempt to select an eviction way. If the cache selects to evict a pinned line, the eviction fails, and the access is demoted to an uncached access. As a result, a cache with one way pinned does not behave exactly the same as a direct-mapped 8 kB cache, but average-case performance is similar.

Cache line states are stored in the cache tag memory stored in the XIP memory power domain. This memory contents do not change on reset, so pinned lines remain pinned across resets. If the XIP memory power domain is not powered down, memory contents do not change across power cycles of the switched core reset domain. The bootrom clears the tag memory upon entering the flash boot or NSBOOT (USB boot) path, but watchdog scratch vector reboots can boot directly into pinned XIP cache lines.

4.4.2. QSPI Memory Interface (QMI)

Uncached accesses and cache misses require access to external memory. The QSPI memory interface (QMI) provides this access, as documented in [Section 12.14](#). The QMI supports:

- Up to two external QSPI devices, with separate chip selects and shared clock/data pins
 - Banked configuration registers, including different `SCK` frequencies and QSPI opcodes
- Memory-mapped reads and writes (writes must be enabled via `CTRL.WRITABLE_M0/CTRL.WRITABLE_M1`)
- Serial/dual/quad-SPI transfer formats
- SCK speeds as high as `clk_sys`
- 8/16/32-bit accesses for uncached accesses, and 64-bit accesses for cache line fills
- Automatic chaining of sequentially addressed accesses into a single QSPI transfer
- Address translation (4 × 4 MB windows per QSPI device)
 - Flash storage addresses can differ from runtime addresses, e.g. for multiple OTA upgrade image slots
 - Allows code and data segments, or Secure and Non-secure images, to be mapped separately
- Direct-mode FIFO interface for programming and configuring external QSPI devices

XIP accesses via the two cache AHB ports, and from the DMA streaming hardware, arbitrate for access to the QMI. A separate APB port configures the QMI.

The QMI is a new memory interface designed for RP2350, replacing the SSI peripheral on RP2040.

4.4.3. Streaming DMA interface

As the flash is generally much larger than on-chip SRAM, it's often useful to stream chunks of data into memory from flash. It's convenient to have the DMA stream this data in the background while software in the foreground does other things. It's even more convenient if code can continue to execute from flash whilst this takes place.

This doesn't interact well with standard XIP operation because QMI serial transfers force lengthy bus stalls on the DMA. These stalls are tolerable for a processor because an in-order processor tends to have nothing better to do while waiting for an instruction fetch to retire, and because typical code execution tends to have much higher cache hit rates than bulk streaming of infrequently accessed data. In contrast, stalling the DMA prevents any other active DMA channels from making progress during this time, slowing overall DMA throughput.

The `STREAM_ADDR` and `STREAM_CTR` registers are used to program a linear sequence of flash reads. The XIP subsystem performs these reads in the background in a best-effort fashion. To minimise impact on code executed from flash whilst the stream is ongoing, the streaming hardware has lower priority access to the QMI than regular XIP accesses, and there is a brief cooldown (9 cycles) between the last XIP cache miss and resuming streaming. This avoids increases in initial access latency on XIP cache misses.

Pico Examples: https://github.com/raspberrypi/pico-examples/blob/master/flash/xip_stream/flash_xip_stream.c Lines 45 - 48

```

45     while (!(xip_ctrl_hw->stat & XIP_STAT_FIFO_EMPTY))
46         (void) xip_ctrl_hw->stream_fifo;
47     xip_ctrl_hw->stream_addr = (uint32_t) &random_test_data[0];
48     xip_ctrl_hw->stream_ctr = count_of(random_test_data);

```

The streamed data is pushed to a small FIFO, which generates DREQ signals that tell the DMA to collect the streamed data. As the DMA does not initiate a read until *after* reading the data from flash, the DMA does not stall when accessing the data. The DMA can then retrieve this data through the auxiliary AHB port, which provides direct single-cycle access to the streaming data FIFO.

On RP2350, you can also use the auxiliary AHB port to access the QMI direct-mode FIFOs. This is faster than accessing

the FIFOs through the QMI APB configuration port. When QMI access chaining is enabled, the streaming XIP DMA is close to the maximum theoretical QSPI throughput, but the direct-mode FIFOs are available on AHB for situations that require 100% of the theoretical throughput.

Pico Examples: https://github.com/raspberrypi/pico-examples/blob/master/flash/xip_stream/flash_xip_stream.c Lines 58 - 70

```

58     const uint dma_chan = 0;
59     dma_channel_config cfg = dma_channel_get_default_config(dma_chan);
60     channel_config_set_read_increment(&cfg, false);
61     channel_config_set_write_increment(&cfg, true);
62     channel_config_set_dreq(&cfg, DREQ_XIP_STREAM);
63     dma_channel_configure(
64         dma_chan,
65         &cfg,
66         (void *) buf,           // Write addr
67         (const void *) XIP_AUX_BASE, // Read addr
68         count_of(random_test_data), // Transfer count
69         true                    // Start immediately!
70     );

```

4.4.4. Performance counters

The XIP subsystem provides two performance counters. These are 32 bits in size, saturate upon reaching `0xffffffff`, and are cleared by writing any value. They count:

1. The total number of XIP accesses, to any alias
2. The number of XIP accesses that resulted in a cache hit

This provides a way to profile the cache hit rate for common use cases.

4.4.5. List of XIP_CTRL registers

The XIP control registers start at a base address of `0x400c8000` (defined as `XIP_CTRL_BASE` in SDK).

Table 439. List of XIP registers

| Offset | Name | Info |
|--------|-----------------------------|--|
| 0x00 | CTRL | Cache control register. Read-only from a Non-secure context. |
| 0x08 | STAT | |
| 0x0c | CTR_HIT | Cache Hit counter |
| 0x10 | CTR_ACC | Cache Access counter |
| 0x14 | STREAM_ADDR | FIFO stream address |
| 0x18 | STREAM_CTR | FIFO stream control |
| 0x1c | STREAM_FIFO | FIFO stream data |

XIP: CTRL Register

Offset: 0x00

Description

Cache control register. Read-only from a Non-secure context.

Table 440. CTRL Register

| Bits | Description | Type | Reset |
|-------|---|------|-------|
| 31:12 | Reserved. | - | - |
| 11 | <p>WRITABLE_M1: If 1, enable writes to XIP memory window 1 (addresses 0x11000000 through 0x11ffffff, and their uncached mirrors). If 0, this region is read-only.</p> <p>XIP memory is read-only by default. This bit must be set to enable writes if a RAM device is attached on QSPI chip select 1.</p> <p>The default read-only behaviour avoids two issues with writing to a read-only QSPI device (e.g. flash). First, a write will initially appear to succeed due to caching, but the data will eventually be lost when the written line is evicted, causing unpredictable behaviour.</p> <p>Second, when a written line is evicted, it will cause a write command to be issued to the flash, which can break the flash out of its continuous read mode. After this point, flash reads will return garbage. This is a security concern, as it allows Non-secure software to break Secure flash reads if it has permission to write to any flash address.</p> <p>Note the read-only behaviour is implemented by downgrading writes to reads, so writes will still cause allocation of an address, but have no other effect.</p> | RW | 0x0 |
| 10 | <p>WRITABLE_M0: If 1, enable writes to XIP memory window 0 (addresses 0x10000000 through 0x10ffffff, and their uncached mirrors). If 0, this region is read-only.</p> <p>XIP memory is read-only by default. This bit must be set to enable writes if a RAM device is attached on QSPI chip select 0.</p> <p>The default read-only behaviour avoids two issues with writing to a read-only QSPI device (e.g. flash). First, a write will initially appear to succeed due to caching, but the data will eventually be lost when the written line is evicted, causing unpredictable behaviour.</p> <p>Second, when a written line is evicted, it will cause a write command to be issued to the flash, which can break the flash out of its continuous read mode. After this point, flash reads will return garbage. This is a security concern, as it allows Non-secure software to break Secure flash reads if it has permission to write to any flash address.</p> <p>Note the read-only behaviour is implemented by downgrading writes to reads, so writes will still cause allocation of an address, but have no other effect.</p> | RW | 0x0 |
| 9 | <p>SPLIT_WAYS: When 1, route all cached+Secure accesses to way 0 of the cache, and route all cached+Non-secure accesses to way 1 of the cache.</p> <p>This partitions the cache into two half-sized direct-mapped regions, such that Non-secure code can not observe cache line state changes caused by Secure execution.</p> <p>A full cache flush is required when changing the value of SPLIT_WAYS. The flush should be performed whilst SPLIT_WAYS is 0, so that both cache ways are accessible for invalidation.</p> | RW | 0x0 |

| Bits | Description | Type | Reset |
|------|--|------|-------|
| 8 | <p>MAINT_NONSEC: When 0, Non-secure accesses to the cache maintenance address window ($\text{addr}[27] == 1, \text{addr}[26] == 0$) will generate a bus error. When 1, Non-secure accesses can perform cache maintenance operations by writing to the cache maintenance address window.</p> <p>Cache maintenance operations may be used to corrupt Secure data by invalidating cache lines inappropriately, or map Secure content into a Non-secure region by pinning cache lines. Therefore this bit should generally be set to 0, unless Secure code is not using the cache.</p> <p>Care should also be taken to clear the cache data memory and tag memory before granting maintenance operations to Non-secure code.</p> | RW | 0x0 |
| 7 | <p>NO_UNTRANSLATED_NONSEC: When 1, Non-secure accesses to the uncached, untranslated window ($\text{addr}[27:26] == 3$) will generate a bus error.</p> | RW | 0x1 |
| 6 | <p>NO_UNTRANSLATED_SEC: When 1, Secure accesses to the uncached, untranslated window ($\text{addr}[27:26] == 3$) will generate a bus error.</p> | RW | 0x0 |
| 5 | <p>NO_UNCACHED_NONSEC: When 1, Non-secure accesses to the uncached window ($\text{addr}[27:26] == 1$) will generate a bus error. This may reduce the number of SAU/MPU/PMP regions required to protect flash contents.</p> <p>Note this does not disable access to the uncached, untranslated window – see NO_UNTRANSLATED_SEC.</p> | RW | 0x0 |
| 4 | <p>NO_UNCACHED_SEC: When 1, Secure accesses to the uncached window ($\text{addr}[27:26] == 1$) will generate a bus error. This may reduce the number of SAU/MPU/PMP regions required to protect flash contents.</p> <p>Note this does not disable access to the uncached, untranslated window – see NO_UNTRANSLATED_SEC.</p> | RW | 0x0 |
| 3 | <p>POWER_DOWN: When 1, the cache memories are powered down. They retain state, but can not be accessed. This reduces static power dissipation. Writing 1 to this bit forces CTRL_EN_SECURE and CTRL_EN_NONSECURE to 0, i.e. the cache cannot be enabled when powered down.</p> | RW | 0x0 |
| 2 | Reserved. | - | - |
| 1 | <p>EN_NONSECURE: When 1, enable the cache for Non-secure accesses. When enabled, Non-secure XIP accesses to the cached ($\text{addr}[26] == 0$) window will query the cache, and QSPI accesses are performed only if the requested data is not present. When disabled, Secure access ignore the cache contents, and always access the QSPI interface.</p> <p>Accesses to the uncached ($\text{addr}[26] == 1$) window will never query the cache, irrespective of this bit.</p> | RW | 0x1 |

| Bits | Description | Type | Reset |
|------|---|------|-------|
| 0 | <p>EN_SECURE: When 1, enable the cache for Secure accesses. When enabled, Secure XIP accesses to the cached (<code>addr[26] == 0</code>) window will query the cache, and QSPI accesses are performed only if the requested data is not present. When disabled, Secure access ignore the cache contents, and always access the QSPI interface.</p> <p>Accesses to the uncached (<code>addr[26] == 1</code>) window will never query the cache, irrespective of this bit.</p> <p>There is no cache-as-SRAM address window. Cache lines are allocated for SRAM-like use by individually pinning them, and keeping the cache enabled.</p> | RW | 0x1 |

XIP: STAT Register

Offset: 0x08

Table 441. STAT Register

| Bits | Description | Type | Reset |
|------|---|------|-------|
| 31:3 | Reserved. | - | - |
| 2 | <p>FIFO_FULL: When 1, indicates the XIP streaming FIFO is completely full. The streaming FIFO is 2 entries deep, so the full and empty flag allow its level to be ascertained.</p> | RO | 0x0 |
| 1 | <p>FIFO_EMPTY: When 1, indicates the XIP streaming FIFO is completely empty.</p> | RO | 0x1 |
| 0 | Reserved. | - | - |

XIP: CTR_HIT Register

Offset: 0x0c

Description

Cache Hit counter

Table 442. CTR_HIT Register

| Bits | Description | Type | Reset |
|------|--|------|------------|
| 31:0 | <p>A 32 bit saturating counter that increments upon each cache hit, i.e. when an XIP access is serviced directly from cached data. Write any value to clear.</p> | WC | 0x00000000 |

XIP: CTR_ACC Register

Offset: 0x10

Description

Cache Access counter

Table 443. CTR_ACC Register

| Bits | Description | Type | Reset |
|------|--|------|------------|
| 31:0 | <p>A 32 bit saturating counter that increments upon each XIP access, whether the cache is hit or not. This includes noncacheable accesses. Write any value to clear.</p> | WC | 0x00000000 |

XIP: STREAM_ADDR Register

Offset: 0x14

Description

FIFO stream address

Table 444.
STREAM_ADDR
Register

| Bits | Description | Type | Reset |
|------|---|------|------------|
| 31:2 | The address of the next word to be streamed from flash to the streaming FIFO. Increments automatically after each flash access. Write the initial access address here before starting a streaming read. | RW | 0x00000000 |
| 1:0 | Reserved. | - | - |

XIP: STREAM_CTR Register

Offset: 0x18

Description

FIFO stream control

Table 445.
STREAM_CTR Register

| Bits | Description | Type | Reset |
|-------|---|------|----------|
| 31:22 | Reserved. | - | - |
| 21:0 | Write a nonzero value to start a streaming read. This will then progress in the background, using flash idle cycles to transfer a linear data block from flash to the streaming FIFO. Decrements automatically (1 at a time) as the stream progresses, and halts on reaching 0. Write 0 to halt an in-progress stream, and discard any in-flight read, so that a new stream can immediately be started (after draining the FIFO and reinitialising STREAM_ADDR) | RW | 0x000000 |

XIP: STREAM_FIFO Register

Offset: 0x1c

Description

FIFO stream data

Table 446.
STREAM_FIFO
Register

| Bits | Description | Type | Reset |
|------|--|------|------------|
| 31:0 | Streamed data is buffered here, for retrieval by the system DMA. This FIFO can also be accessed via the XIP_AUX slave, to avoid exposing the DMA to bus stalls caused by other XIP traffic. | RF | 0x00000000 |

4.4.6. List of XIP_AUX registers

The XIP_AUX port provides fast AHB access to the streaming FIFO and the QMI Direct Mode FIFOs, to reduce the cost of DMA access to these FIFOs.

Table 447. List of
XIP_AUX registers

| Offset | Name | Info |
|--------|---------------|---|
| 0x0 | STREAM | Read the XIP stream FIFO (fast bus access to XIP_CTRL_STREAM_FIFO) |
| 0x4 | QMI_DIRECT_TX | Write to the QMI direct-mode TX FIFO (fast bus access to QMI_DIRECT_TX) |

| Offset | Name | Info |
|--------|-------------------------------|--|
| 0x8 | QMI_DIRECT_RX | Read from the QMI direct-mode RX FIFO (fast bus access to QMI_DIRECT_RX) |

XIP_AUX: STREAM Register

Offset: 0x0

Table 448. STREAM Register

| Bits | Description | Type | Reset |
|------|--|------|------------|
| 31:0 | Read the XIP stream FIFO (fast bus access to XIP_CTRL_STREAM_FIFO) | RF | 0x00000000 |

XIP_AUX: QMI_DIRECT_TX Register

Offset: 0x4

Description

Write to the QMI direct-mode TX FIFO (fast bus access to QMI_DIRECT_TX)

Table 449. QMI_DIRECT_TX Register

| Bits | Description | Type | Reset |
|-------|---|------|--------|
| 31:21 | Reserved. | - | - |
| 20 | NOPUSH : Inhibit the RX FIFO push that would correspond to this TX FIFO entry. Useful to avoid garbage appearing in the RX FIFO when pushing the command at the beginning of a SPI transfer. | WF | 0x0 |
| 19 | OE : Output enable (active-high). For single width (SPI), this field is ignored, and SD0 is always set to output, with SD1 always set to input. For dual and quad width (DSPI/QSPI), this sets whether the relevant SDx pads are set to output whilst transferring this FIFO record. In this case the command/address should have OE set, and the data transfer should have OE set or clear depending on the direction of the transfer. | WF | 0x0 |
| 18 | DWIDTH : Data width. If 0, hardware will transmit the 8 LSBs of the DIRECT_TX DATA field, and return an 8-bit value in the 8 LSBs of DIRECT_RX. If 1, the full 16-bit width is used. 8-bit and 16-bit transfers can be mixed freely. | WF | 0x0 |
| 17:16 | IWIDTH : Configure whether this FIFO record is transferred with single/dual/quad interface width (0/1/2). Different widths can be mixed freely. | WF | 0x0 |
| | Enumerated values: | | |
| | 0x0 → S: Single width | | |
| | 0x1 → D: Dual width | | |
| | 0x2 → Q: Quad width | | |
| 15:0 | DATA : Data pushed here will be clocked out falling edges of SCK (or before the very first rising edge of SCK, if this is the first pulse). For each byte clocked out, the interface will simultaneously sample one byte, on rising edges of SCK, and push this to the DIRECT_RX FIFO. For 16-bit data, the least-significant byte is transmitted first. | WF | 0x0000 |

XIP_AUX: QMI_DIRECT_RX Register

Offset: 0x8

Description

Read from the QMI direct-mode RX FIFO (fast bus access to QMI_DIRECT_RX)

Table 450.
QMI_DIRECT_RX
Register

| Bits | Description | Type | Reset |
|-------|--|------|--------|
| 31:16 | Reserved. | - | - |
| 15:0 | <p>With each byte clocked out on the serial interface, one byte will simultaneously be clocked in, and will appear in this FIFO. The serial interface will stall when this FIFO is full, to avoid dropping data.</p> <p>When 16-bit data is pushed into the TX FIFO, the corresponding RX FIFO push will also contain 16 bits of data. The least-significant byte is the first one received.</p> | RF | 0x0000 |

4.5. OTP

RP2350 contains 8 kB of one-time-programmable storage (OTP), which stores:

- Manufacturing information such as unique device ID
- Boot configuration such as non-default crystal oscillator frequency
- Public key fingerprint(s) for boot signature enforcement
- Symmetric keys for decryption of external flash contents into SRAM
- User-defined contents, including bootable program images ([Section 5.10.7](#))

The OTP storage is structured as 4096 × 24-bit rows. Each row contains 16 bits of data and 8 bits of parity information, providing 8 kB of data storage. OTP bit cells are initially 0 and can be programmed to 1. However, they cannot be cleared back to 0 under any circumstance. This ensures that security-critical flags, such as debug disables, are physically impossible to clear once set. However, you must also take care to program the correct values.

For more information about the OTP subsystem, see [Chapter 13](#).

Chapter 5. Bootrom

Each RP2350 device contains 32 kB of mask ROM: a physically immutable memory resource described in [Section 4.1](#). The RP2350 bootrom is the binary image etched into this ROM that contains the first instructions executed at reset.

The bootrom concepts section ([Section 5.1](#)) covers the following topics, which are necessary background for understanding the bootrom features and their implementation:

- [Partition tables](#) and their associated [flash permissions](#)
- [Bootable images](#), and the [block loops](#) that store their metadata
- [Versioning](#) for images and partition tables, and [A/B versions](#) to support double-buffered upgrades
- [Hashing and signing](#) to support secure boot with public key fingerprint in OTP (see also [Section 10.1.1](#) in the security chapter)
- [Load maps](#) for bootable images, and [packaged binaries](#) that the bootrom loads from flash into RAM according to the image's load map
- [Anti-rollback protection](#) to revoke older, compromised versions of software
- Three forms of flash boot:
 - [Flash image boot](#), with a single binary image written directly into flash
 - [Flash partition boot](#), with the boot image selected from the partition table
 - [Partition-table-in-image boot](#), where the boot image is not contained in a partition table, but still embeds a partition table data structure to divide the flash address space
- [Boot slots](#) for A/B versions of partition tables
- [Flash update boot](#), a special one-time boot mode that enables version downgrades following an image download
- [Try before you buy](#) support for phased upgrades with image self-test
- [Address translation](#) for flash images, which provides a consistent runtime address to images regardless of physical storage location
- [Automatic architecture switch](#) when attempting to run a RISC-V binary on Arm, or vice versa
- [Targeting UF2 downloads](#) to different flash partitions based on their permissions and the UF2 family ID

Besides features mentioned as concepts above, the RP2350 bootrom implements:

- The core 0 initial boot sequence ([Section 5.2](#))
- The core 1 low-power wait and launch protocol ([Section 5.3](#))
- Runtime APIs ([Section 5.4](#)) exported through the ROM symbol table, such as flash and OTP programming
- A subset of runtime APIs available to Non-secure code, with permission for each API entry point individually configured by Secure code
- A USB MSC class-compliant bootloader with [UF2](#) support for downloading code/data to flash or RAM ([Section 5.5](#)), including support for versioning and A/B partitions
- The USB PICOBOT interface for advanced operations like OTP programming ([Section 5.6](#)) and to support `picotool` or other host side tools
- Support for white-labelling all USB exposed information/identifiers ([Section 5.7](#))
- A UART bootloader providing a minimal shell to load an SRAM binary from a host microcontroller ([Section 5.8](#))

You should read the bootrom concepts section before diving into the features in the list above. RP2350 adds a considerable amount of new functionality compared to the RP2040 bootrom. If you are in a terrible hurry, [Section 5.9.5](#) covers the absolute minimum requirements for a binary to be bootable on RP2350 when secure boot is not enabled.

Bootrom source code

All source files for the RP2350 bootrom are available under the terms of the 3-clause BSD licence:

github.com/raspberrypi/pico-bootrom-rp2350

5.1. Bootrom concepts

Bold type in the following sections introduces a **concept**. This chapter frequently refers back to these concepts.

5.1.1. Secure and Non-secure

This datasheet uses the (capitalised) terms **Secure** and **Non-secure** to refer to the Arm execution states of the same name, defined in the [Armv8-M Architecture Reference Manual](#). The uncapitalised term "secure" has no special meaning.

In some contexts, Secure can also refer to a RISC-V core, usually one running at the Machine privilege level. For example, the low-level flash APIs are exported to Arm Secure code and RISC-V code only, so Secure serves as a shorthand for this type of API.

A **secured RP2350** is a device where secure boot is enabled ([Section 5.10.1](#)). This is not the same as the Secure state, since the device may run a mixture of Secure and Non-secure code after completing the secure boot process.

5.1.2. Partition tables

A **partition table** divides flash into a maximum of 16 distinct regions, known as **partitions**. Each partition defines attributes such as [flash permissions](#) for a contiguous range of flash addresses. The `PARTITION_TABLE` data structure describes a partition table, and is an example of a [block](#). Use of partition tables is strictly optional.

Dividing flash into multiple partitions enables you to:

- Store more than one executable image on the device. For example:
 - For A/B boot versions ([Section 5.1.7](#))
 - For different architectures (Arm/RISC-V) or Secure/Non-secure
 - For use with a custom bootloader
- Provision space for data. For example:
 - Embedded file systems
 - Shared Wi-Fi firmware
 - Application resources
- Provide different security attributes for different regions of flash ([Section 5.1.3](#))
- Target UF2 downloads to different partitions based on family ID ([Section 5.1.18](#)), including custom-defined UF2 families specific to your platform

For more information about `PARTITION_TABLE` discovery during flash boot, see [Section 5.1.5.2](#).

Partition tables can be [versioned](#) to support A/B upgrades. They can also be [hashed and signed](#) for security and integrity purposes. We recommend hashing partition tables to ensure that they haven't been corrupted. This is especially important when using [boot slots](#) to update your partition table, since a corrupted partition table with a higher version could be chosen over a non-corrupted partition table with a lower version.

5.1.2.1. Partition attributes

Each partition specifies **partition attributes** for the flash addresses it encompasses, including:

- Start/end offsets within the logical 32 MB address space of the two flash windows; these offsets are specified in multiples of a flash sector (4 kB)
 - Bootable partitions must reside wholly in the first 16 MB flash window, due to limitations of the [address translation](#) hardware
- Access permissions for the partition: read/write for each of Secure (**S**), Non-secure (**NS**) and bootloader (**BL**) access
- Information on which UF2 family IDs may be dropped into the partition via the UF2 bootloader
- An optional 64-bit identifier
- An optional name (a string for human-readable identification)
- Whether to ignore the partition during Arm or RISC-V boot
- Information to group partitions together (see [Section 5.1.7](#) and [Section 5.1.18](#))

[Section 5.9.4](#) documents the full list of partition attributes, along with the `PARTITION_TABLE` binary format.

If there is no partition table, the entirety of flash is considered a single region, with no restricted permissions. Without a partition table, there is no support for custom UF2 family IDs, therefore you must use one of the standard IDs specified in [Table 455](#).

5.1.3. Flash permissions

One of the roles of the partition tables introduced in [Section 5.1.2](#) is to define **flash permissions**, or simply permissions. The partition table stores one set of permission flags for each partition: all bytes covered by a single partition have the same permissions. The partition table separately defines permissions for **unpartitioned space**: flash addresses which do not match any of partitions defined in the partition table.

Separate read/write permissions are specified for each of Secure (**S**), Non-secure (**NS**) and bootloader (**BL**) access. Bootloader permissions control where UF2s can be written to, and what can be accessed via `picotool` when the device is in BOOTSEL mode.

Because flash permissions may be changed dynamically at runtime, part of the partition table is resident in RAM at runtime. You can modify this table to add permissions for other areas of flash at runtime, without changing the partition table stored in flash itself. There is no bootrom API for this, however the in-memory partition table format is documented, and a pointer is available in the ROM table. The SDK provides APIs to wrap this functionality.

5.1.4. Image definitions

An **image** is a contiguous data blob which may contain code, or data, or a mixture. An **image definition** is a block of metadata embedded near the start of an image. The metadata stored in the image definition allows the bootrom to recognise valid executable and non-executable images. The `IMAGE_DEF` data structure represents the image definition in a binary format, and is an example of a [block](#).

For executable images, the `IMAGE_DEF` could be considered similar to an ELF header, as it can include image attributes such as architecture/chip, entry-point, load addresses, etc.

All `IMAGE_DEFS` can contain version information and be hashed or signed. Whilst the bootrom only directly boots executable images, it does provide facilities for selecting a valid (possibly signed) data image from one or more partitions on behalf of a user application.

The presence of a valid `IMAGE_DEF` allows the bootrom to discern a valid application in flash from random data. As a result, you must include a valid `IMAGE_DEF` in any executable binary that you intend to boot.

For more information about how the bootrom discovers `IMAGE_DEFS`, see the section on [block loops](#).

For details about the `IMAGE_DEF` format itself, see [Section 5.9.3](#).

For a description of the minimum requirements for a bootable image, see [Section 5.9.5](#).

5.1.5. Blocks and block loops

5.1.5.1. Blocks

`IMAGE_DEFS` and `PARTITION_TABLES` are both examples of **blocks**. A block is a recognisable, self-checking data structure containing one or more distinct data **items**. The type of the first item in a block defines the type of that entire block.

Blocks are backwards and forwards compatible; item types will not be changed in the future in ways that could cause existing code to misinterpret data. Consumers of blocks (including the bootrom) must skip items within the block whose types are currently listed as reserved; encountering reserved item types must not cause a block to fail validation.

To be considered **valid**, a block must have the following properties:

- it must begin with the 4 byte magic header, `PICOBIN_BLOCK_MARKER_START (0xffffded3)`
- the end of each (variably-sized) item must also be the start of another valid item
- the last item must have type `PICOBIN_BLOCK_ITEM_2BS_LAST` and specify the correct full length of the block
- it must end with the 4 byte magic footer, `PICOBIN_BLOCK_MARKER_END (0xab123579)`

The magic header and footer values are chosen to be unlikely to appear in executable Arm and RISC-V code. For more information about the block format, see [Section 5.9.1](#).

Given a region of memory or flash (such as a partition), blocks are found by searching the first 4 kB of that given region (for flash boot) or the entire region (for RAM/OTP image boots) for a valid block which is part of a valid [block loop](#).

Currently `IMAGE_DEFS` and `PARTITION_TABLES` are the only types of block used by the RP2350 bootrom, but the block format reserves encoding space for future expansion.

5.1.5.2. Block loops

A **block loop** is a cyclic linked list of blocks (a linked loop). Each block has a relative pointer to the next block, and the last block must link to the first. A single block can form a block loop by linking back to itself with a relative pointer of 0. The first block in a loop must have the lowest address of all blocks in the loop.

The purpose of a block loop is threefold:

- to discover which blocks belong to the same image without a brute-force search
- to allow metadata to be appended in post-link processing steps
- to detect parts of the binary being overwritten in a way that breaks the loop

For [flash image boot](#) the bootrom searches the first 4 kB of flash; the 4 kB size is a compromise between allowing flexibility for different languages' memory layouts, while avoiding scanning too much flash when trying different flash access modes and QSPI clock frequencies. [flash partition boot](#) also limits its search to the first 4 kB of the partition.

The search window may be larger, such as a RAM image boot following a UF2 SRAM download, where the search window is all of SRAM. For the fastest boot time, locate the first block as close to the beginning of the binary as possible.

Block loops support multiple blocks because:

- Signing an image duplicates the existing `IMAGE_DEF` and adds another (bigger) `IMAGE_DEF` with additional signature information.
- An image may contain multiple `IMAGE_DEFS`, for example, with different signing keys.

- Placing a block at both the beginning and end of an image can detect some partial overwrites of the image (for example, due to an overly enthusiastic absolute-addressed UF2 download). The SDK does this by default. Hashing or signing the entire image is more robust, since it detects corruption in the middle of the image.
- A universal binary image might contain code for both Arm and RISC-V, including `IMAGE_DEFS` for both.
- `PARTITION_TABLES` and `IMAGE_DEFS` are both present in the same block loop in the case of an [embedded partition table](#).

If a block loop contains multiple `IMAGE_DEFS` or multiple `PARTITION_TABLES`, the winner is generally the last one seen in linked-list order. The exception is the case of two `IMAGE_DEFS` for different architectures (Arm and RISC-V); an `IMAGE_DEF` for the architecture currently executing the bootrom is always preferred over one for a different architecture.

5.1.6. Block versioning

Any block may contain a **version**. Version information consists of a tuple of either two or three 16-bit values: `(rollback).major.minor`, where the rollback part is optional. An item of type `VERSION` contains the binary data structure which defines the version of a block.

The rollback version may only be specified for `IMAGE_DEFS` and defaults to zero if not present. You cannot specify this version for partition tables. The rollback version can be used on a [secured RP2350](#), where it, along with a current rollback version number stored in OTP, can prevent installation of older, vulnerable code once a newer version is installed ([Section 5.1.11](#)).

The full version number can be used to pick the latest version between two `IMAGE_DEFS` or two `PARTITION_TABLES` (see [Section 5.1.7](#)). Versions compare in lexicographic order:

1. If version *x* has a different rollback version than version *y*, then the greater rollback version determines which version is greater overall
2. Else if version *x* has a different major version than version *y*, then the greater major version determines which version is greater overall
3. Else the minor version determines which of *x* and *y* is greater

See [Section 5.9.2.1](#) for full details on the `VERSION` item in a block.

5.1.7. A/B versions

A pair of partitions may be grouped into an **A/B** pair. By logically grouping A and B partitions, you can keep the current executable image (or data) in one partition, and write a newer version into the other partition. When you finish writing a new version, you can safely switch to it, reverting to the older version if problems arise. This avoids partially written states that could render RP2350 un-bootable.

- When booting an A/B partition pair, the bootrom typically uses the partition with the higher version. For scenarios where this is not the case, see [Section 5.1.16](#).
- When dragging a UF2 onto the BOOTSEL USB drive, the UF2 targets the *opposite* A/B partition to the one preferred at boot. See [Section 5.1.18](#) for more details.

i NOTE

It is also possible to have A/B versions of the partition table. For more information about this advanced topic, see [Section 5.1.15](#).

5.1.8. Hashing and signing

Any block may be **hashed** or **signed**. A hashed block stores the image hash value (see [Section 5.9.2.3](#)). At runtime, the bootrom calculates a hash and compares it to the stored hash to determine if the block is valid. Hashes guard against

corruption of an image, but do not provide any security guarantees.

On a secured RP2350, a hash is not sufficient for an image to be considered valid. All images must have a **signature**: a hash encrypted by a private key, plus metadata (also covered by the hash) describing how the hash was generated. This signature is stored as part of an `IMAGE_DEF` block. An image with a signature in its `IMAGE_DEF` block is called a **signed image**.

i NOTE

For background on signatures and boot keys, see the introduction to secure boot in the security chapter ([Section 10.1.1](#)).

To verify a signed image, the bootrom decrypts the hash stored in the signature using a `secp256k1` public key. The bootrom also computes its own hash of the image and compares its measured hash value with the one in the signature.

The public key is also stored in the block via a `SIGNATURE` item (see [Section 5.9.2.4](#)): this key's (SHA-256) hash must match one of the boot key hashes stored in OTP locations `BOOTKEY0_0` onwards. Up to four public keys can be registered in OTP, with the count defined by `BOOT_FLAGS1.KEY_VALID` and `BOOT_FLAGS1.KEY_INVALID`. A hash of a key is also referred to as a **key fingerprint**.

The data to be hashed is defined by a `HASH_DEF` item (see [Section 5.9.2.2](#)), which indicates the type of hash. It also indicates how much of the block itself is to be hashed. For a signed block, the hash *must* contain all contents of the block up to the final `SIGNATURE` item.

To be useful your hash or signature must cover actual image data in addition to the metadata stored in the block. The block's `load map` item specifies which data the bootrom hashes during hash or signature verification.

The above discussion mostly applies to `IMAGE_DEFS`. On a secured RP2350 with the `BOOT_FLAGS0.SECURE_PARTITION_TABLE` flag set, the bootrom also enforces signatures on `PARTITION_TABLES`.

5.1.9. Load maps

A **load map** describes regions of the binary and what to do with them before the bootrom runs the binary.

The load map supports:

- Copying portions of the binary from flash to RAM (or to the XIP cache)
- Clearing parts of RAM (either `.bss` clear, or erasing uninitialised memory during secure boot)
- Defining what parts of the binary are included in a [hash or signature](#)
- Preventing the flushing of the XIP cache when to keep loaded lines pinned up to the point the binary starts

For full details on the `LOAD_MAP` item type of `IMAGE_DEF` blocks, see [Section 5.9.3.2](#).

When booting a signed binary from flash, it is desirable to load the signed data and code into RAM *before* checking the signature and subsequently executing it. Otherwise, an adversary could replace the flash device in between the signature check and execution, subverting the check. For this reason, the load map also serves as a convenient description of what to include in a hash or signature. The load map itself is covered by the hash or signature, and the entire metadata `block` is loaded into RAM before processing, so it is not itself subject to this time-of-check versus time-of-use concern.

5.1.10. Packaged binaries

As described in [Section 5.1.9](#), signed binaries in flash on a secured RP2350 are commonly loaded from flash into RAM, go through signature verification in RAM, and then execute from the verified version in RAM.

A **packaged binary** is a binary stored in flash that runs entirely from RAM. The binary is likely compiled to run from RAM as a RAM-only binary (unfortunately named `no_flash` in SDK parlance), but subsequently post-processed for flash

residence. The bootrom **unpacks** the binary into RAM before execution.

As part of the packaging process, tooling like `picotool` adds a `LOAD_MAP` that tells the bootrom which parts of the flash-resident image it must load into RAM, and where to put them. This tooling may also **hash or sign** the binary in the same step. In this case, the bootrom hashes the data it loads as it unpacks the binary, as well as relevant metadata such as the `LOAD_MAP` itself. The bootrom compares the resulting hash to the precomputed hash or signature in the `IMAGE_DEF` to verify the unpacked contents in RAM before running those contents.

Compare this with RP2040, where a flash-resident binary which executes from RAM (a `copy_to_ram` binary in SDK parlance) must begin by executing from flash, then copy itself to RAM before continuing from there. In the RP2040 case, the loader itself (or rather the SDK `crt0`) executes in-place in flash to perform the copy. This makes it impossible to perform any trustworthy level of verification, because the loader itself executes in untrusted memory.

5.1.11. Anti-rollback protection

Anti-rollback on a secured RP2350 prevents booting an older binary which may have known vulnerabilities. It prevents this even if the binary is correctly signed and meets all other requirements for bootability.

Full `IMAGE_DEF` version information is of the form `(rollback).major.minor`, where the rollback part is optional. If a **rollback version** is present, it is accompanied by a list of OTP rows whose ordered values are used to form a **thermometer** of bits indicating the minimum rollback version that may run on the device.

A thermometer code is a base-1 (unary) number where the integer value is one plus the index of the most-significant set bit. For example, the bit strings `00001111`, `00001001`, and `00001000` all encode a value of four, and the all-zeroes bit pattern encodes a value of zero. The bootrom uses this encoding because:

- it allows OTP rows containing counters to be incremented, and
- it does not allow them to be decremented

On a secured RP2350, the bootrom compares the rollback version of the `IMAGE_DEF` against the thermometer-coded minimum rollback version stored in OTP. If the `IMAGE_DEF` value is lower, the bootrom refuses to boot the image.

The `IMAGE_DEF` rollback version is covered by the image's signature, thus cannot be modified by an adversary who does not know the signing key. The list of OTP rows which define the chip's minimum rollback version is also stored in the program image, and also covered by the image signature.

The list of OTP rows in the `IMAGE_DEF` must always have at least one bit spare beyond the `IMAGE_DEF`'s rollback version (enforced by `picotool`). As a result, older binaries always contain enough information for the bootrom to detect that the chip's minimum rollback version has been incremented past the rollback version in the `IMAGE_DEF`. You can append more rows to the list on newer binaries to accommodate higher rollback versions without ambiguity.

When an executable image with a non-zero rollback version is successfully booted, its rollback version is written to the OTP thermometer. The `BOOT_FLAGS0.ROLLBACK_REQUIRED` flag may be used to *require* an `IMAGE_DEF` have a rollback version on a secured RP2350. This flag is set automatically when updating the rollback version in OTP.

i NOTE

An `IMAGE_DEF` with a rollback version of 0 will not automatically set the `BOOT_FLAGS0.ROLLBACK_REQUIRED` flag, so it is recommended that the minimum rollback version used is 1, unless the `BOOT_FLAGS0.ROLLBACK_REQUIRED` flag is manually set during provisioning.

5.1.12. Flash image boot

RP2350 is designed primarily to run code from a QSPI flash device, either in-package or soldered separately to the circuit board. Code runs either in-place in flash, or in SRAM after being loaded from flash. **Flash boot** is the process of discovering that code and preparing to run it. **Flash image boot** uses a program binary stored directly in flash rather than in a **flash partition**. Flash image boot requires the bootrom to discover a block loop starting within the first 4 kB of flash which contains a valid `IMAGE_DEF` (and no `PARTITION_TABLE`).

Flash image boot has no partition table, so it cannot be used with A/B version checking, which requires separate A/B partitions. The `IMAGE_DEF` will boot if it is valid (which includes requiring a signature on a secured RP2350).

For the non-signed case, the `IMAGE_DEF` can be as small as a 20-bytes; see [Section 5.9.5](#).

TIP

A more complicated version of this scenario stores multiple `IMAGE_DEFS` in the block loop. In this case, the last `IMAGE_DEF` for the current architecture is booted, if valid. You can use this to implement universal binaries for various supported architectures, or to include multiple signatures for targeting devices with different keys.

5.1.13. Flash partition boot

If a `PARTITION_TABLE`, but no `IMAGE_DEF`, is found in the valid block loop that starts within the first 4 kB of flash, and it is valid (including signature if necessary on a secured RP2350), the bootrom searches that partition table's partitions for an executable image to boot. This process, when successful, is referred to as **flash partition boot**.

The partitions are searched in order, skipping those marked as ignored for the current architecture. The bootrom ignores partitions as an optimisation, or to prevent [automatic architecture switching](#).

If the partition is not part of an A/B pair, the first 4 kB is searched for the start of a valid block loop. If a valid block loop is found, and it contains an executable image with a valid (including signature on a secured RP2350) `IMAGE_DEF`, then that executable image is chosen for boot.

If the partition is the A partition of an A/B pair, the bootrom searches both partitions as described above. If both partitions result in a bootable `IMAGE_DEF`, the `IMAGE_DEF` with the higher version number is chosen. Otherwise, the valid `IMAGE_DEF` is chosen. There are some exceptions to this rule in advanced scenarios; see [Section 5.1.16](#) and [Section 5.1.17](#) for details.

5.1.14. Partition-Table-in-Image boot

If both a `PARTITION_TABLE` and an `IMAGE_DEF` block are found in the valid block loop that starts within the first 4 kB of flash, a third type of flash boot takes place. The `IMAGE_DEF` and `PARTITION_TABLE` must only be recognised, not necessarily valid or correctly signed. This stipulation prevents a causality loop.

This is known as **partition-table-in-image** boot, since the application contains the partition table (instead of vice versa). This partition table is referred to as an **embedded partition table**.

The `PARTITION_TABLE` is loaded as the current partition table, and the `IMAGE_DEF` is launched directly. The table defined by the `PARTITION_TABLE` is *not* searched for `IMAGE_DEFS` to boot.

The following common cases might use this scenario:

- You are only using the `PARTITION_TABLE` for flash permissions. You want to load that partition table, then boot as normal.
- The `IMAGE_DEF` contains a small bootloader stored alongside the partition table. In this case, the partition table will once again be loaded, and the associated image entered. The entered image will then likely pick a partition from the partition table, and launch an image from there itself.

5.1.15. Flash boot slots

The previous sections within this chapter discuss block loops starting within the first 4 kB of flash. Such a block loop contained either an `IMAGE_DEF`, a partition table (searched for `IMAGE_DEFS`), or an `IMAGE_DEF` and a `PARTITION_TABLE` (not searched).

All the previously mentioned cases discovered their block loop in **slot 0**. Under certain circumstances, the neighbouring **slot 1** is also searched.

Slot 0 starts at the beginning of flash, and has a size of $n \times 4$ kB sectors. Slot 1 has the same size and follows immediately after slot 0. The value of n defaults to 1. Both slots are 4 kB in size, but you can override this value by specifying a value in `FLASH_PARTITION_SLOT_SIZE` and then setting `BOOT_FLAGS0.OVERRIDE_FLASH_PARTITION_SLOT_SIZE`.

Similarly to how a choice can be made between `IMAGE_DEFS` in A/B partitions, a choice can be made between A/B `PARTITION_TABLES` via the two **boot slots**. This allows for versioning partition tables, targeted drag and drop of UF2s (Section 5.1.18) containing partition tables, etc. similar to the process used for images.

Slot 1 is only of use when potentially using partition tables. In the simple case of an `IMAGE_DEF` and no `PARTITION_TABLE` found in a block loop starting in slot 0, that image likely actually overlays the space where slot 1 would be, but in any case, slot 1 is ignored since there is no `PARTITION_TABLE`.

If slot 0 contains a `PARTITION_TABLE` or does not contain an `IMAGE_DEF` (including nothing/garbage in slot 0), slot 1 can be considered. As an optimisation, in the former case, the scanning of slot 1 can be prevented by setting the singleton flag in the `PARTITION_TABLE`.

i NOTE

When `IMAGE_DEFS` are also present in the slots, the `PARTITION_TABLE`'s `VERSION` item determines which of slot 0 and slot 1 to use. The `IMAGE_DEF` metadata is ignored for the purpose of version comparison.

5.1.16. Flash update boot and version downgrade

Normally the choice of slot 0 versus slot 1, and partition A versus partition B, is made based on the `version` of the valid `PARTITION_TABLE` or `IMAGE_DEF` in those slots or partitions respectively. The greater of the two versions wins.

It is however perfectly valid to downgrade to a lower-versioned `IMAGE_DEF` when using A/B partitions, provided this does not violate `anti-rollback` rules on a secured RP2350.

Downloading the new image (and its `IMAGE_DEF`) into the non-currently-booting partition and doing a normal reboot will not work in this case, as the newly downloaded image has a lower version.

For this purpose, you can enable a **flash update boot** boot by passing the `FLASH_UPDATE` boot type constant flag through the watchdog scratch registers and a pointer to the start of the region of flash that has just been updated.

The bootrom automatically performs a flash update boot after programming a flash UF2 written to the USB Mass Storage drive. You can also invoke a flash update boot programmatically via the `reboot()` API (see Section 5.4.8.24).

The flash address range passed through the reboot parameters is treated specially during a flash update boot. A `PARTITION_TABLE` in a slot, or `IMAGE_DEF` in a partition, will be chosen for boot irrespective of version, if the start of the region is the start of the respective slot or partition.

In order for the downgrade to persist, the first sector of the previously booting slot or partition must be erased so that the newly installed `PARTITION_TABLE` or `IMAGE_DEF` will continue to be chosen on subsequent boots. This erase is performed as follows during a `FLASH_UPDATE` boot.

1. When a `PARTITION_TABLE` is valid (and correctly signed if necessary) and its slot is chosen for boot, the first sector of the other slot is erased.
2. When a valid (and correctly signed if necessary) `IMAGE_DEF` is launched, the first sector of the other image is erased.
3. On explicit request by the image, after it is launched, the first sector of the other image is erased. This is an alternative to the standard behaviour in the previous bullet, and is selected by a special "Try Before You Buy" flag in the `IMAGE_DEF`. For more information about this feature, see Section 5.1.17.

i NOTE

Flash update and version downgrade have no effect when using a single slot, or standalone (non A/B) partitions.

5.1.17. Try before you buy

Try before you buy (abbreviated **TBYB**) is an **IMAGE_DEF**-only feature that allows for a completely safe cycle of version upgrade:

1. An executable image is running from say partition B.
2. A new image is downloaded into partition A.
3. On download completion, a **FLASH_UPDATE** reboot is performed for the newly updated partition A.
4. The bootrom will preferentially try to boot partition A (due to the flash update). Note that a non TBYB image will always be chosen over a TBYB image in A/B partitions during a normal non-**FLASH_UPDATE** boot.
 - If the new image fails validation/signature then the old image in partition B will be used on subsequent (non-**FLASH_UPDATE**) boots, recovering from the failed upgrade.
5. If the new image is valid (and correctly signed if necessary), it is entered under a watchdog timer, and has 16.7 seconds to mark itself OK via the **explicit_buy()** function.
 - If the image calls back, the first 4 kB sector of the other partition (containing image B) is erased, and the TBYB flag of the current image is cleared, so that A becomes the preferred partition for subsequent boots.
 - If the image does not call back within the allotted time, then the system reboots, and will continue to boot partition B (containing the original image) as partition A is still marked as TBYB image.

The erase of the first sector of the opposite partition in the A/B pair severs its image's **block loop**, rendering it unbootable. This ensures the tentative image booted under TBYB becomes the preferred boot image going forward, even if the opposite image had a higher version.

The watchdog timeout is fixed at 16.7 seconds (24-bit count on a 1-microsecond timebase). This can be shortened after entering the target image, for example if it only needs a few hundred milliseconds for its self-test routine. It can also be extended by reloading the watchdog counter, at the risk of getting stuck in the tentative image if it fails in a way that repeatedly reloads the watchdog.

5.1.18. UF2 targeting

[Section 5.5](#) describes the USB Mass Storage drive, and the ability to download UF2 files to that drive to store and/or execute code/data on the RP2350.

Since RP2350 supports multiple processor architectures, and partition tables with multiple partitions, some information on the device must be used to determine what to do with a flash-addressed UF2. Depending on the context, the flash addresses in the UF2 may be absolute flash storage addresses (as was always the case on RP2040), or runtime addresses of code and data within a flash partition. **UF2 targeting** refers to the rules the bootrom applies to interpret flash addresses in a UF2 file.

UF2 supports a 32-bit family ID embedded in the file. This enables the device to recognise firmware that targets it specifically, as opposed to firmware intended for some other device. The RP2350 bootrom recognises some standard UF2 family IDs (**rp2040**, **rp2350-arm-s**, **rp2350-arm-ns**, **rp2350-riscv**, **data** and **absolute**) defined in [Table 455](#). You may define your own family IDs in the partition table for more refined targeting.

The UF2 family ID is used as follows:

1. A UF2 with the **absolute** family ID is downloaded without regard to partition boundaries. A partition table (if present) or OTP configuration define whether **absolute** family ID downloads are allowed. The default factory settings do allow for **absolute** family ID downloads.

2. If there is no partition table, then the `data`, `rp2350-arm-s` (if Arm is enabled) and `rp2350-riscv` (if RISC-V is enabled) family IDs are allowed by default. The UF2 is always downloaded to the start of flash.
3. If there is a partition table, then non-`absolute` family IDs target a single partition under the control of the partition table:
 - a. A UF2 will not be downloaded to a partition that doesn't have BL-write flash permissions
 - b. Each partition lists which family IDs it accepts (both RP2350 standard and user defined)
 - c. With A/B partitions; the A partition indicates the family IDs supported, and the UF2 goes to the partition that isn't the currently booting one (strictly the one that won't be the one chosen if the device were rebooted now).
 - d. Further refinement with A/B is allowed to support secondary A/B partitions containing data/executables used (owned) by the main partitions; see [Section 5.1.18.1](#) for detailed information.

For details of the exact rules used when picking a UF2 target partition, see [Section 5.5.3](#).

i NOTE

UF2 family ids are used for partition targeting when copying UF2s to the USB drive, or when using `picotool load -p`. When using `picotool load` without the `-p` flag images can be written anywhere in flash that has BL-write permissions.

5.1.18.1. Owned partitions

An executable might require data from another partition (such as Wi-Fi firmware). When the main executable is stored in [A/B partitions](#), for safe upgrades, it may be desirable to associate two other partitions C and D with the primary A and B partitions, such that:

- the data in partition C is used for executable in partition A, and
- the data in partition D is used for the executable in partition B.

In this scenario A is marked as the **owner** of C in the partition table, and C is A's **owned partition**. This affects UF2 image downloads which (due to their UF2 family ID) target partitions C and D.

When a UF2 download targets the C/D partition pair, the bootrom checks the state of the A and B owning partitions to determine which of the owned partitions (C and D) receives the download. By default:

- If B would be the target partition for a UF2 with an A/B-compatible family ID, then D is the target for a UF2 with the C/D compatible family ID.
- Conversely, when A is the target partition for A/B downloads, C is the target partition for C/D downloads.

The `FLAGS_UF2_DOWNLOAD_AB_NON_BOOTABLE_OWNER_AFFINITY` flag in the partition table reverses this mapping.

5.1.19. Address translation

RP2040 required images to be stored at the beginning of flash (`0x10000000`). RP2350 supports storing executable images in a partitions at arbitrary locations, to support more robust upgrade cycles via [A/B versions](#), among other uses. This presents the issue that the address an executable is linked at, and therefore the binary contents of the image, would have to depend on the address it is stored at. This can be worked around to an extent with position-independent code, at cost to code size and performance.

RP2350 avoids this pitfall with hardware and bootrom support for **address translation**. An image stored at any 4 kB-aligned location in flash can appear at flash address `0x10000000` at runtime. The SDK continues to assume an image base of `0x10000000` by default.

When launching an image from a partition, the bootrom initialises QMI registers `ATRANS0` through `ATRANS3` to map a flash **runtime address** of `0x10000000` (by default) to the flash **storage address** of the start of the partition. It sets the total size of the mapped region to the size of the partition, with a maximum size of 16 MB. Accessing flash addresses beyond the size of the booted partition (but below the `0x11000000` chip select watermark) returns a bus fault.

As an example, if the booted partition was 6 MB big, starting 1 MB into flash, the registers would be set up as follows:

| Name / Memory Start | Flash Start | Size |
|----------------------|-------------|------|
| ATRANS0 / 0x10000000 | 0x10100000 | 4 MB |
| ATRANS1 / 0x10400000 | 0x10500000 | 2 MB |
| ATRANS2 / 0x10800000 | - | 0 |
| ATRANS3 / 0x10c00000 | - | 0 |

This maps the physical flash range from 0x10100000-0x10700000 to flash addresses 0x10000000-0x10600000, ensuring the partition appears at the start of flash at runtime.

In this case, since [ATRANS2](#) and [ATRANS3](#) aren't needed to map the partition, they could be used by the application to map another part of flash.

Mapping the start of the partition to a runtime address of 0x10000000 is the default behaviour, but you may choose a different address, with some restrictions. The bootrom allows for runtime address values of 0x10000000, 0x10400000, 0x10800000, and 0x10c00000 for the beginning of the mapped regions, with the choice specified in the `IMAGE_DEF`. You must link your binary to run at the correct, higher base address. This is useful, for example, when an application runs from a high flash address and remains mapped there while launching a second application at address 0x10000000. You might use this setup when a Secure image provides services to a Non-secure client image.

This custom address translation is enabled by a negative `ROLLING_WINDOW_DELTA` value (see [Section 5.9.3.5](#)). The above four runtime addresses translate to a `ROLLING_WINDOW_DELTA` of 0, -0x400000, -0x800000, or -0xc00000, which are the only supported non-positive values. The delta indicates how many bytes into the partition the runtime address 0x10000000 appears. A negative delta value indicates that address 0x10000000 appears before the start of the partition; the partition starts that many bytes higher than 0x10000000.

Positive values are also useful, for example, when prepending data to an already linked image as a post-processing step. Positive deltas must be multiples of 4 kB. For example, a `ROLLING_WINDOW_DELTA` of 0x1000 will set up address translation so that the image data starting at offset 0x1000 within the partition is mapped to 0x10000000 at runtime, omitting the first 4 kB of the image from the mapped region. The first 4 kB is inaccessible except through the untranslated XIP window, which defaults to Secure access only.

i NOTE

Because address translation within the 0x10000000 → 0x11000000 and 0x11000000 → 0x12000000 windows is independent, it is only possible to boot from partitions which are entirely contained within the first 16 MB of flash.

This address translation is performed by hardware in the QMI. For more information, see [Section 12.14.4](#).

5.1.20. Automatic architecture switching

If the bootrom encounters a valid and correctly signed `IMAGE_DEF` for the non-current architecture (RISC-V when booted in Arm mode, or Arm when booted in RISC-V), it performs an **automatic architecture switch**. The bootrom initiates a reboot into the correct architecture for the binary it discovered, which then boots successfully on the second attempt. Information passed in watchdog scratch registers (such as a [RAM image boot type](#)) is retained, so that the second boot makes the same decisions as the first, and arrives at the same preferred image to boot.

This happens only when:

- The architecture to be switched to is available according to OTP critical flags
- The architecture switch feature is not disabled by the `BOOT_FLAGS0.DISABLE_AUTO_SWITCH_ARCH` flag
- The bootrom found no valid binary for the *current* architecture before finding one for the *other* architecture

TIP

When storing executable images for both architectures in flash, it's usually preferable to boot an image for the *current* architecture. To do this, keep the images in different partitions, marking the partition for Arm as ignored during boot under RISC-V and vice versa. This avoids always picking the image in the first partition and auto-switching to run it under the other architecture.

For hardware support details for architecture switching, see [Section 3.9](#).

5.2. Processor-controlled boot sequence

The bootrom contains the first instructions the processors execute following a reset. Both processors enter the bootrom at the same time, and in the same location, but the boot sequence runs mostly on core 0.

Core 1 redirects very early in the boot sequence to a low-power state where it waits to be launched, after boot, by user software on core 0. If core 1 is unused, it remains in this low-power state.

Source Code Reference

The sequence described in this section is implemented on Arm by the source files `arm8_bootrom_rt0.S` and `varm_boot_path.c` in the bootrom source code repository. RISC-V cores instead begin from `riscv_bootrom_rt0.S`, but share the boot path implementation with Arm.

5.2.1. Boot outcomes

The bootrom decides the **boot outcome** based on the following system state:

- The contents of the attached QSPI memory device on chip select 0, if any
- The contents of POWMAN registers `BOOT0` through `BOOT3`
- The contents of watchdog registers `SCRATCH4` through `SCRATCH7`
- The contents of OTP, particularly `CRIT1`, `BOOT_FLAGS0` and `BOOT_FLAGS1`
- The QSPI `CSn` pin being driven low externally (to select BOOTSEL)
- The QSPI `SD1` pin being driven high externally (to select UART boot in BOOTSEL mode)

Based on these, the outcome of the boot sequence may be to:

- Call code through a **vector** specified in `SCRATCH` or `BOOT` registers prior to the most recent reboot, for example, into code retained in RAM following a power-up from a low-power state.
- Run an image from external flash.
 - This can happen in one of two ways: either the image runs in-place directly from external flash, or the image is loaded into RAM during the boot sequence.
 - In-package flash on RP2354 is external for boot purposes. It's a separate silicon die, and the RP2350 die doesn't implicitly trust it.
- Run an image preloaded into SRAM (distinct from the vector case).
- Load and run an image from OTP into SRAM.
- Enter the USB bootloader.
- Enter the UART bootloader.
- Perform a one-shot operation requested via the `reboot()` API, such as a [flash update boot](#). This may be requested

by the user, or by the UART or UF2 bootloaders.

- Refuse to boot, due to lack of suitable images and the UART and USB bootloaders being disabled via OTP.

This section makes no distinction between the different types of flash boot ([flash image boot](#), [flash partition boot](#) and [flash partition-table-in-image boot](#)). Likewise, it does not distinguish these types from [packaged binaries](#), which are loaded into RAM at boot time, because these are just flash binaries with a special [load map](#). This section just describes the sequence of decisions the bootrom makes to decide which medium to boot from.

5.2.2. Sequence

This section enumerates the steps of the processor-controlled boot sequence for Arm processors. There are some minor differences on Arm versus RISC-V, which are discussed in [Section 5.2.2.2](#).

A **valid** image in [Table 451](#) refers to one that contains a valid [block loop](#), with one of those blocks being a valid [image definition](#). On a secured RP2350 this image must be (correctly) [signed](#), and must meet all other security requirements such as minimum [rollback version](#).

Shaded cells in the Action column of [Table 451](#) indicate a boot outcome as described in [Section 5.2.1](#). Other cells are transitory states which continue through the sequence. Both cores start the sequence at [Entry](#).

The main sequential steps in [Table 451](#) are:

- [Entry](#)
- [Core 1 Wait](#)
- [Boot Path Start](#)
- [Await Rescue](#)
- [Generate Boot Random](#)
- [Check POWMAN Vector](#)
- [Check Watchdog Vector](#)
- [Prepare for Image Boot](#)
- [Try RAM Image Boot](#)
- [Check BOOTSEL](#)
- [Try OTP Boot](#)
- [Try Flash Boot](#)
- [Prepare for BOOTSEL](#)
- [Enter USB Boot](#)
- [Enter UART Boot](#)
- [Boot Failure](#)

For a summary of [Table 451](#) in pseudocode form, see [Section 5.2.2.1](#).

Table 451. Processor-controlled boot sequence

| Condition (If...) | Action (Then...) |
|--------------------|--|
| Step: Entry | |
| Always | Check core number in CPUID or MHARTID . |
| Running on core 0 | Clear boot RAM (except for core 1 region and the always region). |
| | Go to Boot Path Start . |
| Running on core 1 | Go to Core 1 Wait . |

| Condition (If...) | Action (Then...) |
|--|--|
| Step: Core 1 Wait | |
| Always | Wait for RCP salt register to be marked valid by core 0. |
| | Wait for core 0 to provide an entry point through Secure SIO FIFO, using the protocol described in Section 5.3 . |
| | Outcome: Set Secure main <i>sp</i> and <i>VTOR</i> , then jump into the entry point provided. |
| Step: Boot Path Start | |
| Always | Check rescue flag, <code>CHIP_RESET.RESCUE_FLAG</code> |
| Rescue flag set | Go to <i>Await Rescue</i> . |
| Rescue flag clear | Go to <i>Generate Boot Random</i> . |
| Step: Await Rescue | |
| Always | Clear the rescue flag to acknowledge the request. |
| | Outcome: Halt in place. The debugger attaches to give the processor further instruction. |
| Step: Generate Boot Random | |
| Always | Sample TRNG ROSC into the SHA-256 to generate a 256-bit per-boot random number. |
| | Store 128 bits in boot RAM for retrieval by <code>get_sys_info()</code> , and distribute the remainder to the RCP salt registers. |
| | Go to <i>Check POWMAN Vector</i> . |
| Step: Check POWMAN Vector | |
| Always | Read <code>BOOT0</code> through <code>BOOT3</code> to determine requested boot type. |
| Boot type parity is valid | Clear <code>BOOT0</code> so this is ignored on subsequent boots. |
| A <code>BOOTDIS</code> flag is set | Go to <i>Check Watchdog Vector</i> . |
| Boot type is <code>VECTOR</code> | Outcome: Set Secure main <i>sp</i> , then call into the entry point provided. |
| (Return from <code>VECTOR</code>) | Go to <i>Check Watchdog Vector</i> . |
| Other or invalid boot type | Go to <i>Check Watchdog Vector</i> . |
| Step: Check Watchdog Vector | |
| Always | Read watchdog <code>SCRATCH4</code> through <code>SCRATCH7</code> to determine requested boot type. |
| Boot type parity is valid | Clear <code>SCRATCH4</code> so this is ignored on subsequent boots. |
| Boot type is <code>BOOTSEL</code> | Make note for later: equivalent to selecting <code>BOOTSEL</code> by driving QSPI <i>CSn</i> low. |
| A <code>BOOTDIS</code> flag is set | Go to <i>Prepare for Image Boot</i> (so <code>BOOTSEL</code> is the only permitted type when the OTP <code>BOOTDIS.NOW</code> or POWMAN <code>BOOTDIS.NOW</code> flag is set). |
| Boot type is <code>VECTOR</code> | Outcome: Set Secure main <i>sp</i> , then call into the entry point provided. |
| (Return from <code>VECTOR</code>) | Go to <i>Prepare for Image Boot</i> . |
| Boot type is <code>RAM_IMAGE</code> | Make note for later: this requests a scan of a RAM region for a preloaded image. |
| Boot type is <code>FLASH_UPDATE</code> | Make note for later: modifies some flash boot behaviour, as described in Section 5.1.16 . |
| Always | Go to <i>Prepare for Image Boot</i> . |
| Step: Prepare for Image Boot | |

| Condition (If...) | Action (Then...) |
|--|---|
| Always | Clear <code>BOOTDIS</code> flags (OTP <code>BOOTDIS.NOW</code> and POWMAN <code>BOOTDIS.NOW</code>). |
| | Power up SRAM0 and SRAM1 power domains (XIP RAM domain is already powered). |
| | Reset all PADS and IO registers, and remove isolation from QSPI pads. |
| | Release USB reset and clear upper 3 kB of USB RAM (for search workspace). |
| | Go to Try RAM Image Boot . |
| Step: Try RAM Image Boot | |
| Watchdog type is not <code>RAM_IMAGE</code> | Go to Check BOOTSEL . |
| <code>BOOT_FLAGS0.DISABLE_SRAM_WINDOW_BOOT</code> is set | Go to Check BOOTSEL . |
| Otherwise | Scan indicated RAM address range for a valid image (base in <code>SCRATCH2</code> , length in <code>SCRATCH3</code>). This is used to boot into a RAM image downloaded via UF2, for example. |
| RAM image is valid | Outcome: Enter RAM image in the manner specified by its image definition. |
| No valid image | Go to Prepare for Bootsel (skipping flash and OTP boot). |
| Step: Check BOOTSEL | |
| Always | Check BOOTSEL request: QSPI <code>CSn</code> is low (BOOTSEL button), watchdog type is <code>BOOTSEL</code> , or RUN pin double-tap was detected (enabled by <code>BOOT_FLAGS1.DOUBLE_TAP</code>). |
| BOOTSEL requested | Go to Prepare for BOOTSEL (skipping flash and OTP boot). |
| Otherwise | Go to Try OTP Boot . |
| Step: Try OTP Boot | |
| Always | Check <code>BOOT_FLAGS0.DISABLE_OTP_BOOT</code> and <code>BOOT_FLAGS0.ENABLE_OTP_BOOT</code> (the disable takes precedence). |
| OTP boot disabled | Go to Try Flash Boot . |
| OTP boot enabled | Load data from <code>OTPBOOT_SRC</code> (in OTP) to <code>OTPBOOT_DST0/OTPBOOT_DST1</code> (in SRAM), with the length specified by <code>OTPBOOT_LEN</code> . |
| | Check validity of the image in-place in SRAM. |
| Image is valid | Outcome: Enter RAM image in the manner specified by its image definition. |
| No valid image | Go to Try Flash Boot . |
| Step: Try Flash Boot | |
| Flash boot disabled by <code>BOOT_FLAGS0</code> | Go to Prepare for BOOTSEL . |
| Always | Issue XIP exit sequence to chip select 0. |
| <code>FLASH_DEVINFO</code> has GPIO and size for chip select 1 | Issue XIP exit sequence to chip select 1. |
| Always | Scan flash for a valid image (potentially in a partition) with a range of instructions (EBh, BBh, 0Bh, 03h) and SCK divisors (3 to 24) |

| Condition (If...) | Action (Then...) |
|----------------------------------|--|
| Valid image found | <p>Outcome: Enter flash image in the manner specified by its image definition. This may include loading some flash contents into RAM.</p> <p>Save the current flash read mode as an XIP setup function at the base of boot RAM, which can be called later to restore the current mode (for example, following a serial programming operation).</p> |
| No valid image | Go to Prepare for BOOTSEL . |
| Step: Prepare for BOOTSEL | |
| Always | Erase SRAM0 through SRAM9, XIP cache and USB RAM to all-zeroes before relinquishing memory and peripherals to Non-secure. |
| | Enable XOSC and configure PLL for 48 MHz, according to BOOTSEL_XOSC_CFG and BOOTSEL_PLL_CFG (default is to expect a 12 MHz crystal). |
| | Check QSPI <i>SD1</i> pin (with default pull-down resistor) for UART/USB boot select. |
| | Scan flash for a partition table (always using an 03h serial read command with an <i>SCK</i> divisor of 6). The USB bootloader may download UF2s to different flash addresses depending on partitions and their contents. |
| | Advance all OTP soft locks to the <i>BL</i> state from OTP, if more restrictive than their <i>S</i> state. |
| QSPI <i>SD1</i> pulled low | Go to Enter USB Boot . |
| QSPI <i>SD1</i> driven high | Go to Enter UART boot . |
| Step: Enter USB Boot | |
| Always | Check BOOT_FLAGS0.DISABLE_BOOTSEL_USB_PICOBOOT_IFC and BOOT_FLAGS0.DISABLE_BOOTSEL_USB_MSD_IFC to see which USB interfaces are permitted. |
| Both USB interfaces disabled | Go to Boot Failure . |
| Otherwise | Outcome: Enter USB bootloader. The bootloader reboots if a UF2 image is downloaded, marking a <i>FLASH_UPDATE</i> in the watchdog scratch registers if applicable, and the boot path restarts from Entry . Valid images boot; invalid images usually end up back in the USB bootloader. |
| Step: Enter UART Boot | |
| Always | Check BOOT_FLAGS0.DISABLE_BOOTSEL_UART_BOOT to see if UART boot is permitted. |
| UART boot disabled | Go to Boot Failure . |
| Otherwise | Outcome: Enter UART bootloader. The bootloader reboots once an image has been downloaded, with a <i>RAM_IMAGE</i> boot type, and the boot path restarts from Entry . Valid images boot; invalid images usually end up back in the UART bootloader. |
| Step: Boot Failure | |
| Always | Outcome: Take no further action. No valid boot image was discovered, and the selected BOOTSEL interface was disabled. Attach the debugger to give the processor further instruction. See the boot reason in boot RAM for diagnostics on why the boot failed. |

TIP

The bootrom internally refers to BOOTSEL mode as NSBOOT, because the USB and UART bootloaders run in the Non-secure state under Arm. This chapter may also occasionally refer to BOOTSEL as NSBOOT.

5.2.2.1. Boot sequence pseudocode

The following pseudocode summarises [Table 451](#).

```

if (powman_vector_valid && powman_reboot_mode_is_pcsp) {
    // This call may return and continue the boot path
    if (correct_arch) powman_vector_pc(); else hang();
}
if (watchdog_vector_valid) {
    // Make note of RAM_IMAGE, FLASH_UPDATE, BOOTSEL reboot types
    check_special_reboot_mode();
    if (watchdog_reboot_mode_is_pcsp) {
        // This call may return and continue the boot path
        if (correct_arch) watchdog_vector_pc(); else hang();
    }
}

// RAM image window specified by watchdog_scratch, e.g. after a UF2 RAM
// download: either execute the RAM image or fall back to UART/USB boot.
if (watchdog_reboot_mode_is_ram_image && !ram_boot_disabled_in_otp) {
    // This only returns if there is no valid RAM image to enter.
    // You can't return from the RAM image.
    try_boot_ram_image(ram_image_window);
} else {
    // Otherwise try OTP and flash boot (unless there is a request to skip)
    skip_flash_and_otp_boot =
        bootsel_button_pressed() ||
        watchdog_reboot_mode_is_bootsel ||
        (double_tap_enabled_in_otp() && double_run_reset_detected());

    if (!skip_flash_and_otp_boot) {
        if (otp_boot_enabled_in_otp && !otp_boot_disabled_in_otp) {
            // This only returns if there is no valid OTP image to enter.
            // You can't return from the OTP image.
            try_otp_boot();
        }
        if (!flash_boot_disabled_in_otp) {
            // This only returns if there is no valid flash image to enter.
            // You can't return from the flash image.
            try_flash_boot();
        }
    }
}
// Failed to find an image, so drop down into one of the bootloaders
if (sd1_high_select_uart) {
    // Does not return except via reboot
    if (nsboot_uart_disabled) hang(); else nsboot(uart);
} else {
    // Does not return except via reboot
    if (nsboot_usb_disabled) hang(); else nsboot(usb);
}

```

5.2.2.2. Differences between Arm and RISC-V

The boot sequence outlined in [Table 451](#) has the following differences on RISC-V:

- Secure boot is not supported (from any image source).
- Anti-rollback checking is not supported as it applies only to secure boot.
- Additional security checks such as the use of the RCP to validate booleans are disabled.
- The UART and USB bootloaders continue to run in Machine mode, rather than transitioning from the Arm Secure to Non-secure state, meaning there is no hardware-enforced security boundary between these boot phases.
- The XIP setup function written to boot RAM on a successful flash boot contains RISC-V rather than Arm instructions.

5.2.3. POWMAN boot vector

POWMAN contains scratch registers similar to the watchdog scratch registers, which persist over power-down of the switched core power domain, in addition to most system resets. These registers allow users to install their own boot handler, and divert control away from the main boot sequence on non-POR/BOR resets. It recognises the following values written to [BOOT0](#) through [BOOT3](#):

- [BOOT0](#): magic number `0xb007c0d3`
- [BOOT1](#): Entry point XORed with magic `-0xb007c0d3` (`0x4ff83f2d`)
- [BOOT2](#): Stack pointer
- [BOOT3](#): Entry point

Use this to vector into code preloaded in RAM which was retained during a low-power state.

If either of the magic numbers mismatch, POWMAN vector boot does not take place. If the numbers match, the bootrom zeroes [BOOT0](#) before entering the vector, so that the behaviour does not persist over subsequent reboots.

The POWMAN boot vector is permitted to return. The boot sequence continues as normal after a return from POWMAN vector boot, as though the vector boot had not taken place. There is no requirement for the vector to preserve the global pointer ([gp](#)) register on RISC-V. Use this to perform any additional setup required for the boot path, such as issuing a power-up command to an external QSPI device that may have been powered down (for example, through a B9h power-down command).

The entry point ([pc](#)) must have the LSB set on Arm (the Thumb bit) and clear on RISC-V. If this condition is not met, the bootrom assumes you have passed a RISC-V function pointer to an Arm processor (or vice versa) and hangs the core rather than continuing, since executing code for the wrong architecture has spectacularly undefined consequences.

The linker should automatically set the Thumb bit appropriately for a function pointer relocation, but this is something to be aware of if you pass hardcoded values such as the base of SRAM: this is correctly passed as `0x20000001` on Arm (Thumb bit set) and `0x20000000` on RISC-V (no Thumb bit, halfword-aligned).

5.2.4. Watchdog boot vector

Watchdog boot allows users to install their own boot handler, and divert control away from the main boot sequence on non-POR/BOR resets. It recognises the following values written to the watchdog's upper scratch registers:

- [SCRATCH4](#): magic number `0xb007c0d3`
- [SCRATCH5](#): entry point XORed with magic `-0xb007c0d3` (`0x4ff83f2d`)
- [SCRATCH6](#): stack pointer
- [SCRATCH7](#): entry point

If either of the magic numbers mismatch, watchdog boot does not take place. If the numbers match, the Bootrom

zeroes [SCRATCH4](#) before transferring control, so that the behaviour does not persist over subsequent reboots.

Watchdog boot can also be used to select the bootrom's special one-shot boot modes, described in [Section 5.2.4.1](#). The term **one-shot** refers to the fact these only affect the next boot (and not subsequent ones) due to the bootrom clearing [SCRATCH4](#) each boot. These boot types are encoded by setting a special entry point (*pc*) value of `0xb007c0d3`, which is otherwise not a valid entry address, and then setting the boot type in the stack pointer (*sp*) value. [Section 5.2.4.1](#) lists the supported values.

The watchdog boot vector is permitted to return. The boot path continues as normal when it returns: use this to perform any additional setup required for the boot path, such as issuing additional commands to an external QSPI device. On RISC-V the vector is permitted to use its own global pointer (*gp*) value, as the bootrom only uses *gp* during USB boot, which installs its own value.

With the exception of the magic boot type entry point (`0xb007c0d3`), the vector entry point *pc* must have the LSB set on Arm (the Thumb bit) and clear on RISC-V. If this condition is not met, the bootrom assumes you have passed a RISC-V function pointer to an Arm processor (or vice versa) and hangs the core rather than continuing.

5.2.4.1. Special watchdog boot types

The magic entry point `0xb007c0d3` indicates a special one-shot boot type, identified by the stack pointer value:

BOOTSEL

Selected by *sp* = 2. Boot into BOOTSEL mode. This will be either UART or USB boot depending on whether QSPI *SD1* is driven high (default pull-down selects USB boot). See [Section 5.2.8](#) for more details.

RAM_IMAGE

Selected by *sp* = 3. Boot into an image stored in SRAM or XIP SRAM. BOOTSEL mode uses this to request execution of an image it loaded into RAM before rebooting. See [Section 5.2.5](#) for more details.

FLASH_UPDATE

Selected by *sp* = 4. BOOTSEL selects this mode when rebooting following a flash download. Changes some flash boot behaviour, such as allowing older [versions](#) to boot in preference to newer ones. See [Section 5.1.16](#) for more details.

Parameters to the one-shot boot type are passed in:

- [SCRATCH2](#): Parameter 0
- [SCRATCH3](#): Parameter 1

These directly correspond to the *p0* and *p1* boot parameters passed into the [reboot\(\)](#) API. For example, on a [RAM_IMAGE](#) boot, this specifies the base and size of the RAM region to be searched for a valid [IMAGE_DEF](#). See the API listing in [Section 5.4.8.24](#) for more details. When not performing one of the listed boot types, [SCRATCH2](#) and [SCRATCH3](#) remain free for arbitrary user values, and the bootrom doesn't modify or interpret their contents.

5.2.5. RAM image boot

The bootrom is directed (through values in the watchdog registers) to boot into an image in SRAM or XIP SRAM. The two parameters indicate the start and size of the region to search for a block loop containing a valid (and correctly signed if necessary) [IMAGE_DEF](#). These are passed as parameter 0/1, in watchdog scratch 2/3.

If the image to be booted is contained in XIP SRAM, the XIP SRAM must be pinned in place by the bootrom prior to launch. For this reason, if you are using XIP SRAM for your binaries, you must add a special entry to the [LOAD_MAP](#) item (see [Section 5.9.3.2](#)).

5.2.6. OTP boot

If OTP boot is enabled, then code from OTP is executed in preference to code from flash. Note that the OTP code is free to "chain" into an executable stored in flash.

Code from OTP is copied into SRAM at the specified location, then execution proceeds similarly to RAM Image Boot. The SRAM with the data copied from OTP is searched for a valid (and correctly signed if necessary) `IMAGE_DEF`. If found, it is booted; otherwise OTP boot falls through to Flash Boot (if enabled).

OTP boot could, for example, be used to execute some hidden decryption code to decode a flash image on startup. The OTP boot code can hide itself (in OTP) even from Secure code, once it is done.

5.2.7. Flash boot

The bootrom scans flash up to 16 times until it finds a valid `IMAGE_DEF` or `PARTITION_TABLE`. At this point, the flash settings are considered valid, and the flash boot proceeds if a valid bootable `IMAGE_DEF` is found with these settings. It uses the following combinations of flash read instruction and SCK divisor for the 16 attempts:

Table 452. QSPI read modes supported by the bootrom, in the order it attempts them.

| Mode | Clock Divisor |
|------------|---------------|
| EBh quad | 3 |
| BBh dual | 3 |
| 0Bh serial | 3 |
| 03h serial | 3 |
| EBh quad | 6 |
| BBh dual | 6 |
| 0Bh serial | 6 |
| 03h serial | 6 |
| EBh quad | 12 |
| BBh dual | 12 |
| 0Bh serial | 12 |
| 03h serial | 12 |
| EBh quad | 24 |
| BBh dual | 24 |
| 0Bh serial | 24 |
| 03h serial | 24 |

QSPI does not provide a reliable method to detect whether a device is attached. However, this is not much of an issue for boot purposes: either there is a device with valid and bootable contents, or there are no such contents (either due to lack of a connected device, invalid device contents, or failure to communicate in the current QSPI mode).

When there is no device (or no recognisable contents), the bootrom tries all 16 modes in Table 452 before finally giving up. The size of the initial search region is limited to 4 kB to minimise the time spent scanning flash before falling through to USB or UART boot. This same 4 kB limit also applies to search within a flash partition, which allows the bootrom to reliably sever the contained image's block loop with a single 4 kB sector erase at the start of a partition, such as on a version downgrade.

There are three main ways that the bootrom locates flash images:

Flash image boot

A flash image can be written directly to flash storage address `0x0`, and the bootrom will find it from there. This is the most similar to flash boot on RP2040 (the main differences being the removal of a `boot2` in the first 256 bytes of the image, and the new requirement for a valid [image definition](#) anywhere within the first 4 kB of the image).

Flash partition boot

A flash image can be written into a partition of a [partition table](#). The partition table is described by a `PARTITION_TABLE` block stored at the start of flash. The bootrom finds the partition table and scans its partitions to look for bootable images.

Partition-table-in-image boot

A flash image containing an `IMAGE_DEF` and `PARTITION_TABLE` block in a single [block loop](#) is written to the start of flash. The bootrom loads the embedded partition table, and enters the image in the same way as the [flash image boot](#) case.

Revisit the linked bootrom concepts sections to get the fullest understanding of each of these three forms of flash boot. For the purposes of this section, all that matters is whether the bootrom can discover a valid, bootable image or not. In all three cases, the image must have a valid `IMAGE_DEF`, and meet all relevant security requirements such as being correctly [signed](#), and having a [rollback version](#) greater than or equal to the one stored in OTP.

The bootrom enters the flash image in whatever QSPI mode it discovered to work during flash programming. Any further setup (such as prefixless continuous read modes) is performed by the flash image itself. This setup code, referred to as an **XIP setup function**, is usually copied into RAM before execution to avoid running from flash whilst the XIP interface is being reconfigured.

TIP

The `PICO_EMBED_XIP_SETUP=1` flag in the SDK enables inclusion and execution of an XIP setup function on RP2350 builds. In this case the function executes on the core 0 stack during early startup, so no additional static memory need be allocated. This is not the case for subsequent calls, because the stack is often not executable post-startup.

You should save your XIP setup function in the first 256 bytes of boot RAM to make it easily locatable when the XIP mode is re-initialised following a serial flash programming operation which had to drop out of XIP mode. The bootrom writes a default XIP setup function to this address before entering the flash image, which restores the mode the bootrom discovered during flash programming.

NOTE

You cannot execute an XIP setup function directly from boot RAM, because boot RAM is never executable. You must copy it into SRAM before execution.

XIP setup functions should be fully position-independent, and no more than 256 bytes in size. If you are unable to meet these requirements, you should install a stub function which calls your XIP setup function elsewhere in RAM.

5.2.8. BOOTSEL (USB/UART) boot

The bootrom samples the state of QSPI `CSn` shortly after reset. Based on the result, the bootrom decides whether to enter BOOTSEL mode, which refers collectively to the USB and UART bootloaders.

The bootrom initialises the chip select to the following state:

- Output disabled
- Pulled high (note `CSn` is an active-low signal, so this deselects the external QSPI device if there is one)

If the chip select remains high, the bootrom continues with its normal, non-BOOTSEL sequence. By default on a blank device, this means driving the chip select low and attempting to boot from an external flash or PSRAM device.

If chip select is driven low externally, the bootrom enters BOOTSEL mode. You must drive the chip select low with a

sufficiently low impedance to overcome the internal pull-up. A 4.7 kΩ resistance to ground is a good intermediate value which reliably creates a low input logic level, but will not affect the output levels when RP2350 drives the chip select.

The QSPI **SD1** line, which RP2350 initially pulls low, selects which bootloader to enter:

- **SD1** remains pulled low: enter USB bootloader
- **SD1** driven high: enter UART bootloader

USB boot is a low-friction method for programming an RP2350 from a sophisticated host like a Linux PC. It also directly exposes more advanced options like OTP programming. See [Section 5.5](#) for the drag-and-drop mass storage interface, or [Section 5.6](#) for the PICOBOT vendor interface.

UART boot is a minimal interface for bootstrapping a flashless RP2350 from another microcontroller. UART boot uses QSPI **SD2** for UART TX, and QSPI **SD3** for UART RX, at a fixed baud rate of 1 Mbaud. For more details about UART boot, see [Section 5.8](#).

5.2.8.1. BOOTSEL clock requirements

BOOTSEL mode requires either a crystal attached across the **XIN** and **XOUT** pins, or a clock signal from an external oscillator driven into the **XIN** pin. See [Table 1439](#) for the electrical specifications of these two XOSC pins.

The bootrom assumes a default XOSC frequency of 12 MHz. It configures the USB PLL to derive a fixed 48 MHz frequency from the XOSC reference. For USB, this must be a precise frequency. If you use a non-12 MHz crystal, and intend to use USB boot, program [BOOTSEL_PLL_CFG](#) and [BOOTSEL_XOSC_CFG](#) in OTP, and then set [BOOT_FLAGS0.ENABLE_BOOTSEL_NON_DEFAULT_PLL_XOSC_CFG](#). For details about calculating the correct PLL parameters for your crystal, see [Section 8.6.3](#).

UART boot uses the same PLL configuration as USB boot. However, the permissible range of crystal frequencies under the default PLL configuration is wider. See [Section 5.8.1](#).

5.2.9. Boot configuration (OTP)

User configuration stored in OTP can be found in [Section 13.10](#), starting at [CRIT1](#).

The main controls for the bootrom are stored in [BOOT_FLAGS0](#) and [BOOT_FLAGS1](#). These are both in page 1 of OTP, which has the following default permissions on a blank device:

- Read-write for Secure (**S**)
- Read-write for bootloader (**BL**)
- Read-only for Non-secure (**NS**)

Boot key hashes are stored in page 2 of OTP, starting from [BOOTKEY0_0](#). There is space for up to four boot key hashes in this page. See [Section 5.10.1](#) for an example of how keys can be installed.

5.3. Launching code on Processor Core 1

As described in [Section 5.2](#), after reset, processor core 1 sleeps at start-up, and remains asleep until woken by core 0 via the SIO FIFOs.

If you are using the SDK then you can use the `multicore_launch_core1()` function to launch code on processor core 1. However this section describes the procedure to launch code on processor core 1 yourself.

The procedure to start running on processor core 1 involves both cores moving in lockstep through a state machine coordinated by passing messages over the inter-processor FIFOs. This state machine is designed to be robust enough to cope with a recently reset processor core 1 which may be anywhere in its boot code, up to and including going to sleep. As result, the procedure may be performed at any point after processor core 1 has been reset (either by system

reset, or explicitly resetting just processor core 1).

The following C code describes the procedure:

```
// values to be sent in order over the FIFO from core 0 to core 1
//
// vector_table is value for VTOR register
// sp is initial stack pointer (SP)
// entry is the initial program counter (PC) (don't forget to set the thumb bit!)
const uint32_t cmd_sequence[] =
    {0, 0, 1, (uintptr_t) vector_table, (uintptr_t) sp, (uintptr_t) entry};

uint seq = 0;
do {
    uint cmd = cmd_sequence[seq];
    // always drain the READ FIFO (from core 1) before sending a 0
    if (!cmd) {
        // discard data from read FIFO until empty
        multicore_fifo_drain();
        // execute a SEV as core 1 may be waiting for FIFO space
        __sev();
    }
    // write 32 bit value to write FIFO
    multicore_fifo_push_blocking(cmd);
    // read 32 bit value from read FIFO once available
    uint32_t response = multicore_fifo_pop_blocking();
    // move to next state on correct response (echo-d value) otherwise start over
    seq = cmd == response ? seq + 1 : 0;
} while (seq < count_of(cmd_sequence));
```

5.4. Bootrom APIs

Whilst some ROM space is dedicated to the implementation of the boot sequence and USB/UART boot interfaces, the bootrom also contains public functions that provide useful RP2350 functionality that may be useful for any code or runtime running on the device.

A categorised list is available in [Section 5.4.6](#).

The full alphabetical list is available in [Section 5.4.7](#).

5.4.1. Locating the API functions

The API functions are normally made available to the user by wrappers in the SDK. However, a lower level method is provided to locate them (since their locations may change with each bootrom release) for other runtimes, or those who wish to locate them directly.

[Table 453](#) shows the fixed memory layout of certain words in the bootrom used to locate these functions when using the Arm architecture. [Table 454](#) shows the additional entries for use when using the RISC-V architecture.

Table 453. Bootrom contents at fixed (well known) addresses for Arm code

| Address | Contents | Description |
|------------|----------------|---|
| 0x00000000 | 32-bit pointer | Initial boot stack pointer |
| 0x00000004 | 32-bit pointer | Pointer to boot reset handler function |
| 0x00000008 | 32-bit pointer | Pointer to boot NMI handler function |
| 0x0000000c | 32-bit pointer | Pointer to boot Hard fault handler function |

| Address | Contents | Description |
|------------|----------------|--|
| 0x00000010 | 'M', 'u', 0x02 | Magic |
| 0x00000013 | byte | Bootrom version |
| 0x00000014 | 16-bit pointer | Pointer to ROM entry table (<code>BOOTROM_ROMTABLE_START</code>) |
| 0x00000016 | 16-bit pointer | Pointer to a helper function (<code>rom_table_lookup_val()</code>) |
| 0x00000018 | 16-bit pointer | Pointer to a helper function (<code>rom_table_lookup_entry()</code>) |

Table 454. Bootrom contents at fixed (well known) addresses for RISC-V code

| Address | Contents | Description |
|------------|--------------------|--|
| 0x00007df6 | 16-bit pointer | Pointer to ROM entry table (<code>BOOTROM_ROMTABLE_START</code>) |
| 0x00007df8 | 16-bit pointer | Pointer to a helper function (<code>rom_table_lookup_val()</code>) |
| 0x00007dfa | 16-bit pointer | Pointer to a helper function (<code>rom_table_lookup_entry()</code>) |
| 0x00007dfc | 32-bit instruction | RISC-V Entry Point |

Assuming the three bytes starting at address `0x00000010` are ('M', 'u', `0x02`), the other fixed location fields can be assumed to be valid and used to lookup bootrom functionality.

The version byte at offset `0x00000013` is informational, and should not be used to infer the exact location of any functions. It has the value 2 for A2 silicon.

The following code from the SDK shows how the SDK looks up a bootrom function:

```
static __force_inline void *rom_func_lookup_inline(uint32_t code) {
    #ifdef __riscv
        // on RISC-V the code (a jmp) is actually embedded in the table
        rom_table_lookup_fn rom_table_lookup =
            (rom_table_lookup_fn) (uintptr_t)*(uint16_t*)(BOOTROM_TABLE_LOOKUP_ENTRY_OFFSET
                + rom_offset_adjust);
        return rom_table_lookup(code, RT_FLAG_FUNC_RISCV);
    #else
        // on Arm the function pointer is stored in the table, so we dereference it
        // via lookup() rather than lookup_entry()
        rom_table_lookup_fn rom_table_lookup =
            (rom_table_lookup_fn) (uintptr_t)*(uint16_t*)(BOOTROM_TABLE_LOOKUP_OFFSET);
        if (pico_processor_state_is_nonsecure()) {
            return rom_table_lookup(code, RT_FLAG_FUNC_ARM_NONSEC);
        } else {
            return rom_table_lookup(code, RT_FLAG_FUNC_ARM_SEC);
        }
    #endif
}
```

As well as API functions, there are a few data values that can be looked up. The following code demonstrates:

```
void *rom_data_lookup(uint32_t code) {
    rom_table_lookup_fn rom_table_lookup =
        (rom_table_lookup_fn) (uintptr_t)*(uint16_t*)(BOOTROM_TABLE_LOOKUP_OFFSET);
    return rom_table_lookup(code, RT_FLAG_DATA);
}
```

The `code` parameter correspond to the `CODE` values in the tables below, and is calculated as follows:

```
uint32_t rom_table_code(char c1, char c2) {
    return (c2 << 8) | c1;
}
```

These codes are also available in `bootrom.h` in the SDK as `#defines`.

5.4.2. API function availability

Some functions are not available under all architectures or security levels. The API listing in [Section 5.4.6](#) uses the following terms to list the availability of each individual API entry point:

Arm-S

The function is available to Secure Arm code. The majority of functions are available for `Arm-S` unless they deal specifically with RISC-V or Non-secure functionality.

RISC-V

The function is available to RISC-V code. Most of the functions that are available under `Arm-S` are also exposed under RISC-V unless they deal specifically with Arm security states.

Arm-NS

The function is available to Non-secure Arm code. The function in this case performs additional permission and argument checks to prevent Secure data from leaking or being corrupted.

Each individual `Arm-NS` API function must be explicitly enabled by Secure code before use, via `set_ns_api_permission()`. A disabled Non-secure API returns `BOOTROM_ERROR_NOT_PERMITTED` if disabled by Secure code. All Non-secure APIs are disabled initially. There is no permission control on Non-secure code calling Secure-only `Arm-S` functions, but such a call will crash when it attempts to access Secure-only hardware.

The `Arm-NS` functions may escalate through a Secure Gateway (SG) instruction to allow Non-secure code to perform limited operations on nominally Secure-only hardware, such as QSPI direct-mode interface used for flash programming.

The `RISC-V` functions do not have separate entry points based on privilege level. Both M-mode and U-mode software can call bootrom APIs, assuming they have execute permissions on ROM addresses in the PMP. However, U-mode calls will crash if they attempt to access M-mode-only hardware.

5.4.3. API function return codes

Some functions do not support returning any error, and are marked `void`. The remainder return either 0 (`BOOTROM_OK`) or a positive value (if data needs to be returned) for success. These bootrom error codes are identical to the error codes used by the SDK, so they can be used interchangeably. This explains the gaps in the numbering for SDK error codes that aren't used by the bootrom.

| Name | Value | Description |
|--|-------|---|
| value | >= 0 | The function succeeded and returned the value |
| <code>BOOTROM_OK</code> | 0 | The function executed successfully |
| <code>BOOTROM_ERROR_NOT_PERMITTED</code> | -4 | The operation was disallowed by a security constraint |
| <code>BOOTROM_ERROR_INVALID_ARG</code> | -5 | One or more parameters passed to the function is outside the range of supported values; <code>BOOTROM_ERROR_INVALID_ADDRESS</code> and <code>BOOTROM_ERROR_BAD_ALIGNMENT</code> are more specific errors. |

| Name | Value | Description |
|---|-------|--|
| <code>BOOTROM_ERROR_INVALID_ADDRESS</code> | -10 | An address argument was out-of-bounds or was determined to be an address that the caller may not access. |
| <code>BOOTROM_ERROR_BAD_ALIGNMENT</code> | -11 | An address passed to the function was not correctly aligned. |
| <code>BOOTROM_ERROR_INVALID_STATE</code> | -12 | Something happened or failed to happen in the past, and consequently the request cannot currently be serviced. |
| <code>BOOTROM_ERROR_BUFFER_TOO_SMALL</code> | -13 | A user-allocated buffer was too small to hold the result or working state of the function. |
| <code>BOOTROM_ERROR_PRECONDITION_NOT_MET</code> | -14 | The call failed because another bootrom function must be called first. |
| <code>BOOTROM_ERROR_MODIFIED_DATA</code> | -15 | Cached data was determined to be inconsistent with the full version of the data it was copied from. |
| <code>BOOTROM_ERROR_INVALID_DATA</code> | -16 | The contents of a data structure are invalid |
| <code>BOOTROM_ERROR_NOT_FOUND</code> | -17 | An attempt was made to access something that does not exist; or, a search failed. |
| <code>BOOTROM_ERROR_UNSUPPORTED_MODIFICATION</code> | -18 | Modification is impossible based on current state. This might occur, for example, when attempting to clear an OTP bit. |
| <code>BOOTROM_ERROR_LOCK_REQUIRED</code> | -19 | A required lock is not owned. See Section 5.4.4 . |

5.4.4. API functions and exclusive access

Various bootrom functions require access to parts of the system which:

- cannot be safely accessed by both cores at once, or
- limit the functionality of other hardware when in use

For example:

- Programming OTP: it is not possible to read from the memory mapped OTP data regions at the same time as accessing its serial programming interface.
- Use of the SHA-256 block: only one SHA-256 sum can be in progress at a time.
- Using the QSPI direct-mode interface to program the flash causes XIP access to return a bus fault.

It is beyond the purview of the bootrom to implement a locking strategy, as the style and scope of the locking required is entirely up to how the application itself uses these resources.

Nevertheless, it is important that, say, a Non-secure call to a flash programming API can't cause a hard fault in other Secure code running from flash. There must be some way for user software to coordinate with bootrom APIs on such changes of state. The bootrom implements the **mechanism** but not the **policy** for mutual exclusion over bootrom API calls.

The solution the bootrom provides is to use the boot locks (boot RAM registers `BOOTLOCK0` through `BOOTLOCK7`) to inform the bootrom which resources are currently owned by the caller and therefore safe for it to use.

To enable lock checking in bootrom APIs, set boot lock 7 (`LOCK_ENABLE`) to the claimed state. When enabled, bootrom functions which use certain hardware resources (listed below) will check the status of the boot lock assigned to that resource, and return `BOOTROM_ERROR_LOCK_REQUIRED` if that lock is not in the claimed state.

Before calling a bootrom function with locking enabled, you must claim the relevant locks. It may take multiple attempts

to claim if the API is concurrently accessed from other contexts. Follow the same steps as the SIO spinlocks (Section 3.1.4) to claim a lock.

The following boot locks are assigned:

- `0x0` : `LOCK_SHA_256` - if owned, then a bootrom API is allowed to use the SHA-256 block
- `0x1` : `LOCK_FLASH_OP` - if owned, then a bootrom API is allowed to enter direct mode on the QSPI memory interface (Section 12.14.5) in order to perform low-level flash operations
- `0x2` : `LOCK_OTP` - if owned, then a bootrom API is allowed to access OTP via the serial interface
- `0x7` : `LOCK_ENABLE` - if owned, then bootrom API resource ownership checking is enabled. This is off by default, since the bootrom APIs aim to be usable by default without additional setup.

5.4.5. SDK access to the API

Bootrom functions are exposed in the SDK via the `pico_bootrom` library (see `pico_bootrom`).

Each bootrom function has a `rom_` wrapper function that looks up the bootrom function address and calls it.

The SDK provides a simple implementation of exclusive access via `bootrom_acquire_lock_blocking(n)` and `bootrom_release_lock(n)`. When enabled, as it is by default (`PICO_BOOTROM_LOCKING_ENABLED=1` is defined) the SDK enables bootrom locking via `LOCK_ENABLE`, and these two functions use the other `SHA_256/FLASH_OP/OTP` boot locks to take ownership of/release ownership of the corresponding bootrom resource.

The `rom_` wrapper functions the SDK call `bootrom_acquire_lock_locking` and `bootrom_relead_lock` functions around bootrom calls that have locking requirements.

5.4.6. Categorised list of API functions and ROM data

The terms in parentheses after each function name (`Arm-S`, `Arm-NS`, `RISC-V`) indicate the architecture and security state combinations where that API is available:

- `Arm-S`: Arm processors running in the Secure state
- `Arm-NS`: Arm processors running in the Non-secure state
- `RISC-V`: RISC-V processors

See Section 5.4.2 for the full definitions of these terms.

List entries ending with parentheses, such as `flash_op()`, are callable functions. List entries without parentheses, such as `git_revision`, are pointers to ROM data locations.

5.4.6.1. Low-level Flash access

These low-level (Secure-only) flash access functions are similar to the ones on RP2040:

- `connect_internal_flash()` (`Arm-S`, `RISC-V`)
- `flash_enter_cmd_xip()` (`Arm-S`, `RISC-V`)
- `flash_exit_xip()` (`Arm-S`, `RISC-V`)
- `flash_flush_cache()` (`Arm-S`, `RISC-V`)
- `flash_range_erase()` (`Arm-S`, `RISC-V`)
- `flash_range_program()` (`Arm-S`, `RISC-V`)

These are new with RP2350:

- `flash_reset_address_trans()` (Arm-S, RISC-V)
- `flash_select_xip_read_mode()` (Arm-S, RISC-V)

5.4.6.2. High-level flash access

The higher level access functions, provide functionality that is safe to expose (with permissions) to Non-secure code as well.

- `flash_op()` (Arm-S, Arm-NS, RISC-V)
- `flash_runtime_to_storage_addr()` (Arm-S, Arm-NS, RISC-V)

5.4.6.3. System information

- `flash_devinfo16_ptr` (Arm-S, RISC-V)
- `get_partition_table_info()` (Arm-S, Arm-NS, RISC-V)
- `get_sys_info()` (Arm-S, Arm-NS, RISC-V)
- `git_revision` (Arm-S, Arm-NS, RISC-V)

5.4.6.4. Partition tables

- `get_b_partition()` (Arm-S, RISC-V)
- `get_uf2_target_partition()` (Arm-S, RISC-V)
- `pick_ab_partition()` (Arm-S, RISC-V)
- `partition_table_ptr` (Arm-S, RISC-V)
- `load_partition_table()` (Arm-S, RISC-V)

5.4.6.5. Bootrom memory and state

- `set_bootrom_stack()` (RISC-V)
- `xip_setup_func_ptr` (Arm-S, RISC-V)
- `bootrom_state_reset()` (Arm-S, RISC-V)

5.4.6.6. Executable image management

- `chain_image()` (Arm-S, RISC-V)
- `(explicit_buy)` (Arm-S, RISC-V)

5.4.6.7. Security

These Secure-only functions control access for Non-secure code:

- `set_ns_api_permission()` (Arm-S)
- `set_rom_callback()` (Arm-S, RISC-V)
- `validate_ns_buffer()` (Arm-S, RISC-V)

5.4.6.8. Miscellaneous

These functions are provided to all platforms and security levels, but perform additional checks when called from Non-secure Arm code:

- `reboot()` (Arm-S, Arm-NS, RISC-V)
- `otp_access()` (Arm-S, Arm-NS, RISC-V)

5.4.6.9. Non-secure only

- `secure_call()` (Arm-NS)

5.4.6.10. Bit manipulation

Unlike RP2040, the bootrom doesn't contain bit manipulation functions. Processors on RP2350 implement hardware instructions for these operations which are far faster than the software implementations in the RP2040 bootrom.

5.4.6.11. Malloc and Memset

Unlike RP2040, the bootrom doesn't provide memory copy or clearing functions, as your language runtime is expected to already provide well-performing implementations of these on Cortex-M33 or Hazard3.

The bootrom does contain private implementations of standard C `memcpy()` and `memset()`, for both Arm and RISC-V, but these are optimised for size rather than performance. They are not exported in the ROM table.

5.4.6.12. Floating point

Unlike RP2040 the bootrom doesn't contain functions for floating point arithmetic. On Arm there is standard processor support for single-precision arithmetic via the Cortex-M FPU, and RP2350 provides an Arm coprocessor which dramatically accelerates double-precision arithmetic (the DCP, [Section 3.6.2](#)). The SDK defaults to the most performant hardware or software implementation available.

5.4.7. Alphabetical list of API functions and ROM data

- `bootrom_state_reset()` (Arm-S, RISC-V)
- `chain_image()` (Arm-S, RISC-V)
- `connect_internal_flash()` (Arm-S, RISC-V)
- `flash_devinfo16_ptr` (Arm-S, RISC-V)
- `flash_enter_cmd_xip()` (Arm-S, RISC-V)
- `flash_exit_xip()` (Arm-S, RISC-V)
- `flash_flush_cache()` (Arm-S, RISC-V)
- `flash_op()` (Arm-S, Arm-NS, RISC-V)
- `flash_range_erase()` (Arm-S, RISC-V)
- `flash_range_program()` (Arm-S, RISC-V)
- `flash_reset_address_trans()` (Arm-S, RISC-V)
- `flash_runtime_to_storage_addr()` (Arm-S, Arm-NS, RISC-V)

- [flash_select_xip_read_mode\(\)](#) (Arm-S, RISC-V)
- [get_b_partition\(\)](#) (Arm-S, RISC-V)
- [get_partition_table_info\(\)](#) (Arm-S, Arm-NS RISC-V)
- [get_sys_info\(\)](#) (Arm-S, Arm-NS, RISC-V)
- [get_uf2_target_partition\(\)](#) (Arm-S, RISC-V)
- [git_revision](#) (Arm-S, Arm-NS, RISC-V)
- [load_partition_table\(\)](#) (Arm-S, RISC-V)
- [otp_access\(\)](#) (Arm-S, Arm-NS, RISC-V)
- [partition_table_ptr](#) (Arm-S, RISC-V)
- [pick_ab_partition\(\)](#) (Arm-S, RISC-V)
- [reboot\(\)](#) (Arm-S, Arm-NS, RISC-V)
- [secure_call\(\)](#) (Arm-NS)
- [set_bootrom_stack\(\)](#) (RISC-V)
- [set_ns_api_permission\(\)](#) (Arm-S)
- [set_rom_callback\(\)](#) (Arm-S, RISC-V)
- [validate_ns_buffer\(\)](#) (Arm-S, RISC-V)
- [xip_setup_func_ptr](#) (Arm-S, RISC-V)

5.4.8. API function listings

5.4.8.1. `bootrom_state_reset`

Code: 'S', 'R'

Signature: `void bootrom_state_reset(uint32_t flags)`

Supported architectures: Arm-S, RISC-V

Resets internal bootrom state, based on the following flags:

- `0x0001` : `STATE_RESET_CURRENT_CORE` - Resets any internal bootrom state for the current core to a known state. This method should be called prior to calling any other bootrom APIs on the current core, and is called automatically by the bootrom during normal boot of core 0 or launch of code on core 1.
- `0x0002` : `STATE_RESET_OTHER_CORE` - Resets any internal bootrom state for the other core into a clean state. This is generally called by a debugger when resetting the state of one core via code running on the other.
- `0x0004` : `STATE_RESET_GLOBAL_STATE` - Resets all non core-specific state, including:
 - Disables access to bootrom APIs from Arm-NS (see also [set_ns_api_permission\(\)](#)).
 - Unlocks all boot locks ([Section 5.4.4](#)).
 - Clears any Secure code callbacks. (see also [set_rom_callback\(\)](#))

Note that the SDK calls this method on runtime initialisation to put the boot RO into a known state. This allows the program to function correctly if it is entered via a debugger, or otherwise without taking the usual boot path through the bootrom, which itself would reset the state.

5.4.8.2. chain_image

Code: 'C','I'

Signature: `int chain_image(uint8_t *workarea_base, uint32_t workarea_size, int32_t region_base, uint32_t region_size)`

Supported architectures: *Arm-S, RISC-V*. Note on *RISC-V* this function may require additional stack; see [Section 5.4.8.26](#).

Returns: `BOOTROM_OK` (0) on success, or a negative error code on error.

Searches a memory region for a launchable image, and executes it if possible.

The `region_base` and `region_size` specify a word-aligned, word-multiple-sized area of RAM, XIP RAM or flash to search. The first 4 kB of the region must contain the start of a block loop with an `IMAGE_DEF`. If the new image is launched, the call does not return otherwise an error is returned.

The `region_base` is signed, as a negative value can be passed, which indicates that the (negated back to positive value) is *both* the `region_base` and the base of the "flash update" region.

This method potentially requires similar complexity to the boot path in terms of picking amongst versions, checking signatures etc. As a result it requires a user provided memory buffer as a work area. The work area should be word aligned, and of sufficient size or `BOOTROM_ERROR_BAD_ALIGNMENT` / `BOOTROM_ERROR_INSUFFICIENT_RESOURCES` will be returned. The work area size currently required is 3064, so 3 kB is a good choice.

This method is primarily expected to be used when implementing bootloaders.

i NOTE

When chaining into an image, the `BOOT_FLAGS0.ROLLBACK_REQUIRED` flag will not be set, to prevent invalidating a bootloader without a rollback version by booting a binary which has one (see [Section 5.10.8](#)).

5.4.8.3. connect_internal_flash

Code: 'I','F'

Signature: `void connect_internal_flash(void)`

Supported architectures: *Arm-S, RISC-V*

Restores all QSPI pad controls to their default state, and connects the QMI peripheral to the QSPI pads.

If a secondary flash chip select GPIO has been configured via OTP `FLASH_DEVINFO`, or by writing to the runtime copy of `FLASH_DEVINFO` in boot RAM, then this bank 0 GPIO is also initialised and the QMI peripheral is connected. Otherwise, bank 0 IOs are untouched.

5.4.8.4. explicit_buy

Code: 'E','B'

Signature: `int explicit_buy(uint8_t *buffer, uint32_t buffer_size)`

Supported architectures: *Arm-S RISC-V*

Returns: `BOOTROM_OK` (0) on success, negative error code on error.

Perform an "explicit buy" of an executable launched via an `IMAGE_DEF` which was `TBYB` ([Section 5.1.17](#)) flagged. A "flash update" boot of such an image is a way to have the image execute once, but only become the "current" image if it safely calls back into the bootrom via this call.

This call may perform the following:

- Erase and rewrite the part of flash containing the `TBYB` flag in order to clear said flag.

- Erase the first sector of the other partition in an A/B partition scenario, if this new `IMAGE_DEF` is a version downgrade (so this image will boot again when not doing a normal boot)
- Update the rollback version in OTP if the chip is secure, and a rollback version is present in the image.

The first of the above requires 4 kB of scratch space, so you should pass a word aligned buffer of at least 4 kB to this method in this case, or `BOOTROM_ERROR_BAD_ALIGNMENT` / `BOOTROM_ERROR_INSUFFICIENT_RESOURCES` will be returned.

The device might reboot while updating the rollback version if multiple rollback rows need to be written. This occurs when the version crosses a multiple of 24 (for example, upgrading from version 23 to 25 requires a reboot, but 23 to 24 or 24 to 25 doesn't). The application must therefore be prepared to reboot when calling this function if rollback versions are in use.

5.4.8.5. `flash_devinfo16_ptr`

Code: 'F','D'

Type: `uint16_t *flash_devinfo16_ptr`

Pointer to the flash device info used by the flash APIs, for example, for bounds checking against size of flash devices, and configuring the GPIO used for secondary QSPI chip select.

If `BOOT_FLAGS0.FLASH_DEVINFO_ENABLE` is set, this boot RAM location is initialised from `FLASH_DEVINFO` at startup, otherwise it is initialised to:

- Chip select 0 size: 16 MB
- Chip select 1 size: 0 bytes
- No chip select 1 GPIO
- No D8h erase command support

The flash APIs use this boot RAM copy of `FLASH_DEVINFO`, so flash device info can updated by Secure code at runtime by writing through this pointer.

5.4.8.6. `flash_enter_cmd_xip`

Code: 'C','X'

Signature: `void flash_enter_cmd_xip(void)`

Supported architectures: *Arm-S, RISC-V*

Compatibility alias for `flash_select_xip_read_mode(0, 12);`.

Configure the QMI to generate a standard `03h` serial read command, with 24 address bits, upon each XIP access. This is a slow XIP configuration, but is widely supported. `CLKDIV` is set to 12. The debugger may call this function to ensure that flash is readable following a program/erase operation.

Note that the same setup is performed by `flash_exit_xip()`, and the RP2350 flash program/erase functions do not leave XIP in an inaccessible state, so calls to this function are largely redundant. It is provided for compatibility with RP2040.

5.4.8.7. `flash_exit_xip`

Code: 'E','X'

Signature: `void flash_exit_xip(void)`

Supported architectures: *Arm-S, RISC-V*

Initialise the QMI for serial operations (direct mode), and also initialise a basic XIP mode, where the QMI will perform `03h` serial read commands at low speed (`CLKDIV=12`) in response to XIP reads.

Then, issue a sequence to the QSPI device on chip select 0, designed to return it from continuous read mode ("XIP mode") and/or QPI mode to a state where it will accept serial commands. This is necessary after system reset to restore the QSPI device to a known state, because resetting RP2350 does not reset attached QSPI devices. It is also necessary when user code, having already performed some continuous-read-mode or QPI-mode accesses, wishes to return the QSPI device to a state where it will accept the serial erase and programming commands issued by the bootrom's flash access functions.

If a GPIO for the secondary chip select is configured via `FLASH_DEVINFO`, then the XIP exit sequence is also issued to chip select 1.

The QSPI device should be accessible for XIP reads after calling this function; the name `flash_exit_xip` refers to returning the QSPI device from its XIP state to a serial command state.

5.4.8.8. `flash_flush_cache`

Code: 'F','C'

Signature: `void flash_flush_cache(void)`

Supported architectures: *Arm-S, RISC-V*

Flush the entire XIP cache, by issuing an invalidate by set/way maintenance operation to every cache line (Section 4.4.1). This ensures that flash program/erase operations are visible to subsequent cached XIP reads.

Note that this unpins pinned cache lines, which may interfere with cache-as-SRAM use of the XIP cache.

No other operations are performed.

5.4.8.9. `flash_op`

Code: 'F','O'

Signature: `int flash_op(uint32_t flags, uint32_t addr, uint32_t size_bytes, uint8_t *buf)`

Supported architectures: *Arm-S, Arm-NS, RISC-V*

Returns: `BOOTROM_OK` (0) on success, negative error code on error.

Perform a flash read, erase, or program operation. Erase operations must be sector-aligned (4096 bytes) and sector-multiple-sized, and program operations must be page-aligned (256 bytes) and page-multiple-sized; misaligned erase and program operations will return `BOOTROM_ERROR_BAD_ALIGNMENT`. The operation – erase, read, program – is selected by the `CFLASH_OP_BITS` bitfield of the `flags` argument:

`flags` is comprised of the following values:

| | |
|---|---|
| Address Translation (select one) | |
| <code>0x00000000</code> | No address translation; <code>addr</code> arg is the actual flash storage addresses. |
| <code>0x00000001</code> | Runtime address translation; <code>addr</code> arg is XIP memory address affected by address translation. |
| Security level (select one) | |
| <code>0x00000100</code> | Perform the operation using <i>secure</i> permissions. This is disallowed for a non-secure caller. |
| <code>0x00000200</code> | Perform the operation using <i>non-secure</i> permissions. |
| <code>0x00000300</code> | Perform the operation using <i>boot-loader</i> permissions. This is disallowed for a non-secure caller. |
| Operation (select one) | |
| <code>0x00000000</code> | Erase <code>size_bytes</code> bytes of flash, starting at address <code>addr</code> . Both <code>addr</code> and <code>size_bytes</code> must be a multiple of 4096 bytes (one flash sector). |

| | |
|-------------------------|--|
| <code>0x00010000</code> | Program <code>size_bytes</code> bytes of flash, starting at address <code>addr</code> . Both <code>addr</code> and <code>size_bytes</code> must be a multiple of 256 bytes (one flash page). |
| <code>0x00020000</code> | Read <code>size_bytes</code> bytes of flash, starting at address <code>addr</code> . There are no alignment restrictions on <code>addr</code> or <code>size_bytes</code> . |

These constants are also available in `bootrom_constants.h` in the SDK as `#defines`.

`addr` is the address of the first flash byte to be accessed, ranging from `XIP_BASE` to `XIP_BASE + 0x1fffffff` inclusive. This may be a runtime or storage address. `buf` contains data to be written to flash, for program operations, and data read back from flash, for read operations. `buf` is never written by program operations, and is completely ignored for erase operations.

The flash operation is bounds-checked against the known flash devices specified by the runtime value of `FLASH_DEVINFO`, stored in boot RAM. This is initialised by the bootrom to the OTP value `FLASH_DEVINFO`, if `BOOT_FLAGS0.FLASH_DEVINFO_ENABLE` is set; otherwise it is initialised to 16 MB for chip select 0 and 0 bytes for chip select 1. `FLASH_DEVINFO` can be updated at runtime by writing to its location in boot RAM, the pointer to which can be looked up in the ROM table.

If a resident partition table is in effect, then the flash operation is also checked against the partition permissions. The Secure version of this function can specify the caller's effective security level (Secure, Non-secure, bootloader) using the `CFLASH_SECLEVEL_BITS` bitfield of the flags argument, whereas the Non-secure function is always checked against the Non-secure permissions for the partition. Flash operations which span two partitions are not allowed, and will fail address validation.

If `FLASH_DEVINFO.D8H_ERASE_SUPPORTED` is set, erase operations will use a D8h 64 kB block erase command where possible (without erasing outside the specified region), for faster erase time. Otherwise, only 20h 4 kB sector erase commands are used.

Optionally, this API can translate `addr` from flash runtime addresses to flash storage addresses, according to the translation currently configured by QMI address translation registers, `ATRANS0` through `ATRANS7`. For example, an image stored at a +2 MB offset in flash (but mapped at XIP address 0 at runtime), writing to an offset of +1 MB into the image, will write to a physical flash storage address of 3 MB. Translation is enabled by setting the corresponding bitfield in the `flags` argument.

When translation is enabled, flash operations that cross address holes in the XIP runtime address space (created by non-maximum `ATRANSx_SIZE`) will return an error response. This check may tear: the transfer may be partially performed before encountering an address hole and ultimately returning failure.

When translation is enabled, flash operations are permitted to cross chip select boundaries, provided this does not span an `ATRANS` address hole. When translation is disabled, the entire operation must target a single flash chip select (as determined by bits 24 and upward of the address), else address validation will fail.

A typical call sequence for erasing a flash sector in the runtime address space from Secure code would be:

- `connect_internal_flash();`
- `flash_exit_xip();`
- `flash_op((CFLASH_OP_VALUE_ERASE << CFLASH_OP_LSB) | (CFLASH_SECLEVEL_VALUE_SECURE << CFLASH_SECLEVEL_LSB) | (CFLASH_ASFVALUE_RUNTIME << CFLASH_ASFVALUE_LSB), addr, 4096, NULL);`
- `flash_flush_cache();`
- Copy the XIP setup function from boot RAM to SRAM and execute it, to restore the original XIP mode
 - The bootrom will have written a default setup function which restores the mode/cldiv parameters found during flash search; user code can overwrite this with its own custom setup function.

A similar sequence is required for program operations. Read operations can leave the current XIP mode in effect, so only the `flash_op(...)` call is required.

Note that the RP2350 bootrom leaves the flash in a basic XIP state in between program/erase operations. However, during a program/erase operation, the QMI is in direct mode (Section 12.14.5) and any attempted XIP access will return

a bus error response.

5.4.8.10. `flash_range_erase`

Code: 'R','E'

Signature: `void flash_range_erase(uint32_t addr, size_t count, uint32_t block_size, uint8_t block_cmd)`

Supported architectures: *Arm-S, RISC-V*

Erase `count` bytes, starting at `addr` (offset from start of flash). Optionally, pass a block erase command (for example, `D8h` `block_erase`), and the size of the block erased by this command – this function will use the larger block erase where possible, for much higher erase speed. `addr` must be aligned to a 4096-byte sector, and `count` must be a multiple of 4096 bytes.

This is a low-level flash API, and no validation of the arguments is performed. See `flash_op()` for a higher-level API which checks alignment, flash bounds and partition permissions, and can transparently apply a runtime-to-storage address translation.

The QSPI device must be in a serial command state before calling this API, which can be achieved by calling `connect_internal_flash()` followed by `flash_exit_xip()`. After the erase, the flash cache should be flushed via `flash_flush_cache()` to ensure the modified flash data is visible to cached XIP accesses.

Finally, the original XIP mode should be restored by copying the saved XIP setup function from boot RAM into SRAM, and executing it: the bootrom provides a default function which restores the flash mode/clckdiv discovered during flash scanning, and user programs can override this with their own XIP setup function.

For the duration of the erase operation, QMI is in direct mode ([Section 12.14.5](#)) and attempting to access XIP from DMA, the debugger or the other core will return a bus fault. XIP becomes accessible again once the function returns.

5.4.8.11. `flash_range_program`

Code: 'R','P'

Signature: `void flash_range_program(uint32_t addr, const uint8_t *data, size_t count)`

Supported architectures: *Arm-S, RISC-V*

Program `data` to a range of flash storage addresses starting at `addr` (offset from the start of flash) and `count` bytes in size. `addr` must be aligned to a 256-byte boundary, and `count` must be a multiple of 256.

This is a low-level flash API, and no validation of the arguments is performed. See `flash_op()` for a higher-level API which checks alignment, flash bounds and partition permissions, and can transparently apply a runtime-to-storage address translation.

The QSPI device must be in a serial command state before calling this API – see notes on `flash_range_erase()`.

5.4.8.12. `flash_reset_address_trans`

Code: 'R','A'

Signature: `void flash_reset_address_trans(void)`

Supported architectures: *Arm-S, RISC-V*

Restore the QMI address translation registers, `ATRANS0` through `ATRANS7`, to their reset state. This makes the runtime-to-storage address map an identity map, meaning the mapped and unmapped address are equal, and the entire space is fully mapped. See [Section 12.14.4](#).

5.4.8.13. `flash_runtime_to_storage_addr`

Code: 'F','A'

Signature: `int flash_runtime_to_storage_addr(uint32_t addr)`

Supported architectures: `Arm-S, Arm-NS, RISC-V`

Returns: A positive value on success (the translated address), or negative error code on error

Applies the address translation currently configured by QMI address translation registers, `ATRANS0` through `ATRANS7`. See [Section 12.14.4](#).

Translating an address outside of the XIP runtime address window, or beyond the bounds of an `ATRANSx_SIZE` field, returns `BOOTROM_ERROR_INVALID_ADDRESS`, which is not a valid flash storage address. Otherwise, return the storage address which QMI would access when presented with the runtime address `addr`. This is effectively a virtual-to-physical address translation for QMI.

5.4.8.14. `flash_select_xip_read_mode`

Code: 'X','M'

Signature: `void flash_select_xip_read_mode(bootrom_xip_mode_t mode, uint8_t clkdiv)`

Supported architectures: `Arm-S, RISC-V`

Configure QMI for one of a small menu of XIP read modes supported by the bootrom. This mode is configured for both memory windows (both chip selects), and the clock divisor is also applied to direct mode.

The available modes are:

- `0`: 03h serial read: serial address, serial data, no wait cycles
- `1`: 0Bh serial read: serial address, serial data, 8 wait cycles
- `2`: BBh dual-IO read: dual address, dual data, 4 wait cycles (including MODE bits, which are driven to 0)
- `3`: EBh quad-IO read: quad address, quad data, 6 wait cycles (including MODE bits, which are driven to 0)

The XIP write command/format are not configured by this function.

When booting from flash, the bootrom tries each of these modes in turn, from 3 down to 0. The first mode that is found to work is remembered, and a default XIP setup function is written into boot RAM that calls *this function* (`flash_select_xip_read_mode`) with the parameters discovered during flash scanning. This can be called at any time to restore the flash parameters discovered during flash boot.

All XIP modes configured by the bootrom have an 8-bit serial command prefix, so that the flash device can remain in a serial command state, meaning XIP accesses can be mixed more freely with program/erase serial operations. This has a performance penalty, so users can perform their own flash setup *after flash boot* using continuous read mode or QPI mode to avoid or alleviate the command prefix cost.

5.4.8.15. `get_b_partition`

Code: 'G','B'

Signature: `int get_b_partition(uint partition_a)`

Supported architectures: `Arm-S RISC-V`

Returns: The index of the B partition of partition A if a partition table is present and loaded, and there is a partition A with a corresponding B partition; otherwise returns `BOOTROM_ERROR_NOT_FOUND`.

5.4.8.16. `get_partition_table_info`

Code: 'G','P'

Signature: `int get_partition_table_info(uint32_t *out_buffer, uint32_t out_buffer_word_size, uint32_t flags_and_partition)`

Supported architectures: `Arm-S, Arm-NS, RISC-V`

Returns: ≥ 0 on success (the number of words filled in `out_buffer`), negative error code on error.

Fills a buffer with information from the partition table. Note that this API is also used to return information over the PICOBOOT interface.

On success, the buffer is filled, and the number of words filled in the buffer is returned. If the partition table hasn't been loaded (for example, from a watchdog or RAM boot), this method returns `BOOTROM_ERROR_PRECONDITION_NOT_MET`, and you should load the partition table through `load_partition_table()` first.

Not all data from the partition table is kept resident in memory by the bootrom due to size constraints. To protect against changes being made in flash after the bootrom has loaded the resident portion, the bootrom keeps a hash of the partition table as of the time it loaded it. If the hash has changed by the time this method is called, then it will return `BOOTROM_ERROR_INVALID_STATE`.

The information returned is chosen by the `flags_and_partition` parameter; the first word in the returned buffer, is the (sub)set of those flags that the API supports. You should always check this value before interpreting the buffer.

Following the first word, returns words of data for each present flag in order. With the exception of `PT_INFO`, all the flags select "per partition" information, so each field is returned in flag order for one partition after the next. The special `SINGLE_PARTITION` flag indicates that data for only a single partition is required. Flags include:

- `0x0001 - PT_INFO` : information about the partition table as a whole. The second two words for unpartitioned space in the same form described in [Section 5.9.4.2](#).
 - Word 0 : `partition_count` (low 8 bits), `partition_table_present` (bit 8)
 - Word 1 : `unpartitioned_space_permissions_and_location`
 - Word 2 : `unpartitioned_space_permissions_and_flags`
- `0x8000 - SINGLE_PARTITION` : only return data for a single partition; the partition number is stored in the top 8 bits of `flags_and_partition`

Per-partition fields:

- `0x0010 - PARTITION_LOCATION_AND_FLAGS` : the core information about a partition. The format of these fields is described in [Section 5.9.4.2](#).
 - Word 0 - `permissions_and_location`
 - Word 1 - `permissions_and_flags`
- `0x0020 - PARTITION_ID` : the optional 64-bit identifier for the partition. If the `HAS_ID` bit is set in the partition flags, then the 64 bit ID is returned:
 - Word 0 - first 32 bits
 - Word 1 - second 32 bits
- `0x0040 - PARTITION_FAMILY_IDS` : Any additional UF2 family IDs that the partition supports being downloaded into it via the MSD bootloader beyond the standard ones flagged in the `permissions_and_flags` field (see [Section 5.9.4.2](#)).
- `0x0080 - PARTITION_NAME` : The optional name for the partition. If the `HAS_NAME` field bit in `permissions_and_flags` is not set, then no data is returned for this partition; otherwise the format is as follows:
 - Byte 0 : 7 bit length of the name (LEN); top bit reserved
 - Byte 1 : first character of name
 - ...

- Byte LEN : last character of name
- ... (padded up to the next word boundary)

i NOTE

Unpartitioned space is always reported in Word 1 as having a base offset of `0x0` and a size of `0x2000` sectors (32 MB). The bootrom applies unpartitioned space permissions to any flash storage address that is not covered by a partition.

5.4.8.17. `get_sys_info`

Code: 'G','S'

Signature: `int get_sys_info(uint32_t *out_buffer, uint32_t out_buffer_word_size, uint32_t flags)`

Supported architectures: `Arm-S`, `Arm-NS`, `RISC-V`

Returns: A positive value on success (the number of words filled in `out_buffer`), negative error code on error.

Fills a buffer with various system information. Note that this API is also used to return information over the PICOBOT interface.

The information returned is chosen by the flags parameter; the first word in the returned buffer, is the (sub)set of those flags that the API supports. You should always check this value before interpreting the buffer.

Following the first word, returns words of data for each present flag in order:

- `0x0001` : `CHIP_INFO` - unique identifier for the chip (3 words)
 - Word 0 : Value of the `CHIP_INFO_PACKAGE_SEL` register
 - Word 1 : RP2350 device id low
 - Word 2 : RP2350 device id high
- `0x0002` : `CRITICAL` (1 word)
 - Word 0 : Value of the OTP `CRITICAL` register, containing critical boot flags read out on last OTP reset event
- `0x0004` : `CPU_INFO` (1 word)
 - Word 0 : Current CPU architecture
 - 0 - Arm
 - 1 - RISC-V
- `0x0008` : `FLASH_DEV_INFO` (1 word)
 - Word 0 : Flash device info in the format of OTP `FLASH_DEVINFO`
- `0x0010` : `BOOT_RANDOM` - a 128-bit random number generated on each boot (4 words)
 - Word 0 : Per boot random number 0
 - Word 1 : Per boot random number 1
 - Word 2 : Per boot random number 2
 - Word 3 : Per boot random number 3
- `0x0020` : `NONCE` - not supported
- `0x0040` : `BOOT_INFO` (4 words)
 - Word 0 : `0xttppbbdd`
 - `tt` - recent boot TBYB and update info (updated on regular non `BOOTSEL` boots)

- `pp` - recent boot partition (updated on regular not BOOTSEL boots)
- `bb` - boot type of the most recent boot
- `dd` - recent boot diagnostic "partition"
- Word 1 : Recent boot diagnostic. Diagnostic information from a recent boot (with information from the partition (or slot) indicated by `dd` above. "partition" numbers here are:
 - 0-15 : a partition number
 - -1 : none
 - -2 : slot 0
 - -3 : slot 1
 - -4 : image (the diagnostic came from the launch of a RAM image, OTP boot image or user `chain_image()` call).
- Word 2 : Last reboot param 0
- Word 3 : Last reboot param 1

"Boot Diagnostic" information is intended to help identify the cause of a failed boot, or booting into an unexpected binary. This information can be retrieved via PICOBOT after a watchdog reboot, however it will not survive a reset via the RUN pin or POWMAN reset.

There is only one word of diagnostic information. What it records is based on the `pp` selection above, which is itself set as a parameter when rebooting programmatically into a normal boot.

To get diagnostic info, `pp` must refer to a slot or an "A" partition; image diagnostics are automatically selected on boot from OTP or RAM image, or when `chain_image()` is called.)

The diagnostic word thus contains data for either slot 0 and slot 1, or the "A" partition (and its "B" partition if it has one). The low half word of the diagnostic word contains information from slot 0 or partition A; the high half word contains information from slot 1 or partition B.

The format of each half-word is as follows (using the word *region* to refer to slot or partition)

- `0x0001` : `REGION_SEARCHED` - The region was searched for a block loop.
- `0x0002` : `INVALID_BLOCK_LOOP` - A block loop was found but it was invalid
- `0x0004` : `VALID_BLOCK_LOOP` - A valid block loop was found (Blocks from a loop wholly contained within the region, and the blocks have the correct structure. Each block consists of items whose sizes sum to the size of the block)
- `0x0008` : `VALID_IMAGE_DEF` - A valid `IMAGE_DEF` was found in the region. A valid `IMAGE_DEF` must parse correctly and must be executable.
- `0x0010` : `HAS_PARTITION_TABLE` - Whether a partition table is present. This partition table must have a correct structure formed if `VALID_BLOCK_LOOP` is set. If the partition table turns out to be invalid, then `INVALID_BLOCK_LOOP` is set too (thus both `VALID_BLOCK_LOOP` and `INVALID_BLOCK_LOOP` will both be set).
- `0x0020` : `CONSIDERED` - There was a choice of partition/slot and this one was considered. The first slot/partition is chosen based on a number of factors. If the first choice fails verification, then the other choice will be considered.
 - the version of the `PARTITION_TABLE/IMAGE_DEF` present in the slot/partition respectively.
 - whether the slot/partition is the "update region" as per a `FLASH_UPDATE` reboot.
 - whether an `IMAGE_DEF` is marked as "explicit buy"
- `0x0040` : `CHOSEN` - This slot/partition was chosen (or was the only choice)
- `0x0080` : `PARTITION_TABLE_MATCHING_KEY_FOR_VERIFY` - if a signature is required for the `PARTITION_TABLE` (via OTP setting), then whether the `PARTITION_TABLE` is signed with a key matching one of the four stored in OTP
- `0x0100` : `PARTITION_TABLE_HASH_FOR_VERIFY` - set if a hash value check could be performed. In the case a signature is required, this value is identical to `PARTITION_TABLE_MATCHING_KEY_FOR_VERIFY`

- `0x0200` : `PARTITION_TABLE_VERIFIED_OK` - whether the `PARTITION_TABLE` passed verification (signature/hash if present/required)
- `0x0400` : `IMAGE_DEF_MATCHING_KEY_FOR_VERIFY` - if a signature is required for the `IMAGE_DEF` due to secure boot, then whether the `IMAGE_DEF` is signed with a key matching one of the four stored in OTP.
- `0x0800` : `IMAGE_DEF_HASH_FOR_VERIFY` - set if a hash value check could be performed. In the case a signature is required, this value is identical to `IMAGE_DEF_MATCHING_KEY_FOR_VERIFY`
- `0x1000` : `IMAGE_DEF_VERIFIED_OK` - whether the `PARTITION_TABLE` passed verification (signature/hash if present/required) and any `LOAD_MAP` is valid
- `0x2000` : `LOAD_MAP_ENTRIES_LOADED` - whether any code was copied into RAM due to a `LOAD_MAP`
- `0x4000` : `IMAGE_LAUNCHED` - whether an `IMAGE_DEF` from this region was launched
- `0x8000` : `IMAGE_CONDITION_FAILURE` - whether the `IMAGE_DEF` failed final checks before launching; these checks include:
 - verification failed (if it hasn't been verified earlier in the `CONSIDERED` phase).
 - a problem occurred setting up any rolling window.
 - the rollback version could not be set in OTP (if required in Secure mode)
 - the image was marked as Non-secure
 - the image was marked as "explicit buy", and this was a flash boot, but then region was not the "flash update" region
 - the image has the wrong architecture, but architecture auto-switch is disabled (or the correct architecture is disabled)

NOTE

The non-sensical combination of `BOOT_DIAGNOSTIC_INVALID_BLOCK_LOOP` and `BOOT_DIAGNOSTIC_VALID_BLOCK_LOOP` both being set is used to flag a `PARTITION_TABLE` which passed the initial verification (and hash/sig), but was later discovered to have invalid contents when it was fully parsed.

To get a full picture of a failed boot involving slots and multiple partitions, the device can be rebooted multiple times to gather the information.

5.4.8.18. `get_uf2_target_partition`

Code: 'G','U'

Signature: `int get_uf2_target_partition(uint8_t *workarea_base, uint32_t workarea_size, uint32_t family_id, resident_partition_t *partition_out)`

Supported architectures: *Arm-S RISC-V*. Note on *RISC-V* this function requires additional stack; see [Section 5.4.8.26](#).

Returns: ≥ 0 on success (the target partition index), or a negative error code on error.

This method performs the same operation to decide on a target partition for a UF2 family ID as when a UF2 is dragged onto the USB drive in BOOTSEL mode.

This method potentially requires similar complexity to the boot path in terms of picking amongst versions, checking signatures etc. As a result it requires a user provided memory buffer as a work area. The work area should be word-aligned and of sufficient size or `BOOTROM_ERROR_INSUFFICIENT_RESOURCES` will be returned. The work area size currently required is 3064, so 3K is a good choice.

If the partition table hasn't been loaded (for example, from a watchdog or RAM boot), then this method returns `BOOTROM_ERROR_PRECONDITION_NOT_MET`, and you should load the partition table via `load_partition_table()` first.

5.4.8.19. `git_revision`

Code: 'G','R'

Type: `const uint32_t git_revision`

The 8 most significant hex digits of the bootrom git revision. Uniquely identifies this version of the bootrom.

i NOTE

This is the git revision built at chip tapeout; the git hash in the public repository is different due to squashed history, even though the contents are identical. The contents can be verified by building the public bootrom source and comparing the resulting binary with one binary dumped from the chip.

5.4.8.20. `load_partition_table`

Code: 'L','P'

Signature: `int load_partition_table(uint8_t *workarea_base, uint32_t workarea_size, bool force_reload)`

Supported architectures: *Arm-S, RISC-V*. Note on *RISC-V* this function requires additional stack; see [Section 5.4.8.26](#).

Returns: `BOOTROM_OK` (0) on success, or a negative error code on error.

Loads the current partition table from flash, if present.

This method potentially requires similar complexity to the boot path in terms of picking amongst versions, checking signatures etc. As a result it requires a user provided memory buffer as a work area. The work area should be byte word-aligned and of sufficient size or `BOOTROM_ERROR_INSUFFICIENT_RESOURCES` will be returned. The work area size currently required is 3064, so 3K is a good choice.

If `force_reload` is false, then this method will return `BOOTROM_OK` immediately if the bootrom is loaded, otherwise it will reload the partition table if it has been loaded already, allowing for the partition table to be updated in a running program.

5.4.8.21. `otp_access`

Code: 'O','A'

Signature: `int otp_access(uint8_t *buf, uint32_t buf_len, uint32_t row_and_flags)`

Supported architectures: *Arm-S, Arm-NS, RISC-V*

Returns: `BOOTROM_OK` (0) on success, or a negative error code on error.

Writes data from a buffer into OTP, or reads data from OTP into a buffer.

- `0x0000ffff` - `ROW_NUMBER`: 16 low bits are row number (0-4095)
- `0x00010000` - `IS_WRITE`: if set, do a write (not a read)
- `0x00020000` - `IS_ECC`: if this bit is set, each value in the buffer is 2 bytes and ECC is used when read/writing from 24 bit value in OTP. If this bit is not set, each value in the buffer is 4 bytes, the low 24-bits of which are written to or read from OTP.

The buffer must be aligned to 2 bytes or 4 bytes according to the `IS_ECC` flag.

This method will read and write rows until the first row it encounters that fails a key or permission check at which it will return `BOOTROM_ERROR_NOT_PERMITTED`.

Writing will also stop at the first row where an attempt is made to set an OTP bit from a 1 to a 0, and `BOOTROM_ERROR_UNSUPPORTED_MODIFICATION` will be returned.

If all rows are read/written successfully, then `BOOTROM_OK` will be returned.

5.4.8.22. `partition_table_ptr`

Code: 'P','T'

Type: `resident_partition_table **partition_table_ptr`

A pointer to the pointer to the resident partition table info. The resident partition table is the subset of the full partition table that is kept in memory, and used for flash permissions.

The public part of the resident partition table info is of the form:

| Word | Bytes | Value |
|-------|--------------|--|
| 0 | 1 | <code>partition_count</code> (0-16) |
| | 1 | <code>partition_count_with_permissions</code> (0-16). Set this to > <code>partition_count</code> when adding extra permission regions at runtime (do not modify the original partitions) |
| | 1 | <code>loaded</code> (0x01 if a partition table has been loaded from flash) |
| | 1 | 0x00 (pad) |
| 1 | 1 | <code>unpartitioned_space_permissions_and_flags</code> |
| 2-3 | Partition 0 | |
| | 1 | <code>permissions_and_location</code> for partition 0 |
| | 1 | <code>permissions_and_flags</code> for partition 0 |
| 4-5 | Partition 1 | |
| | 1 | <code>permissions_and_location</code> for partition 1 |
| | 1 | <code>permissions_and_flags</code> for partition 1 |
| ... | ... | ... |
| 32-33 | Partition 15 | |
| | 1 | <code>permissions_and_location</code> for partition 15 |
| | 1 | <code>permissions_and_flags</code> for partition 15 |

Details of the fields `permissions_and_location` and `permissions_and_flags` can be found in [Section 5.9.4](#).

5.4.8.23. `pick_ab_partition`

Code: 'A','B'

Signature: `int pick_ab_partition(uint8_t *workarea_base, uint32_t workarea_size, uint partition_a_num)`

Supported architectures: `Arm-S`, `RISC-V`. Note on `RISC-V` this function requires additional stack; see [Section 5.4.8.26](#).

Returns: `>= 0` on success (the partition index), or a negative error code on error.

Determines which of the partitions has the "better" `IMAGE_DEF`. In the case of executable images, this is the one that would be booted

This method potentially requires similar complexity to the boot path in terms of picking amongst versions, checking signatures etc. As a result it requires a user provided memory buffer as a work area. The work area should be word aligned, and of sufficient size or `BOOTROM_ERROR_INSUFFICIENT_RESOURCES` will be returned. The work area size currently required is 3064, so 3K is a good choice.

The passed partition number can be any valid partition number other than the "B" partition of an A/B pair.

This method returns a negative error code, or the partition number of the picked partition if (`partition_a_num` or the number of its "B" partition if any).

i NOTE

This method does not look at owner partitions, only the A partition passed and its corresponding B partition.

5.4.8.24. reboot

Code: 'R', 'B'

Signature: `int reboot(uint32_t flags, uint32_t delay_ms, uint32_t p0, uint32_t p1)`

Supported architectures: *Arm-S, Arm-NS, RISC-V*

Returns: `BOOTROM_OK` (or doesn't return) on success, a negative error code on error.

Resets the RP2350 and uses the watchdog facility to restart.

The *delay_ms* is the millisecond delay before the reboot occurs. Note: by default this method is asynchronous (unless `NO_RETURN_ON_SUCCESS` is set - see below), so the method will return and the reboot will happen this many milliseconds later.

The *flags* field contains one of the following values:

- `0x0000` : `REBOOT_TYPE_NORMAL` - reboot into the normal boot path.
 - *p0* - the boot diagnostic "partition" (low 8 bits only)
- `0x0002` : `REBOOT_TYPE_BOOTSEL` - reboot into BOOTSEL mode.
 - *p0* - a set of flags:
 - `0x01` : `DISABLE_MSD_INTERFACE` - Disable the BOOTSEL USB drive (see [Section 5.5](#))
 - `0x02` : `DISABLE_PICOBOT_INTERFACE` - Disable the PICOBOT interface (see [Section 5.6](#)).
 - `0x10` : `GPIO_PIN_ACTIVE_LOW` - The GPIO in *p1* is active low.
 - `0x20` : `GPIO_PIN_ENABLED` - Enable the activity indicator on the specified GPIO.
 - *p1* - the GPIO number to use as an activity indicator (enabled by flag in *p0*) for the BOOTSEL USB drive.
- `0x0003` : `REBOOT_TYPE_RAM_IMAGE` - reboot into an image in RAM. The region of RAM or XIP RAM is searched for an image to run. This is the type of reboot used when a RAM UF2 is dragged onto the BOOTSEL USB drive.
 - *p0* - the region start address (word-aligned).
 - *p1* - the region size (word-aligned).
- `0x0004` : `REBOOT_TYPE_FLASH_UPDATE` - variant of `REBOOT_TYPE_NORMAL` to use when flash has been updated. This is the type of reboot used after dragging a flash UF2 onto the BOOTSEL USB drive.
 - *p0* - the address of the start of the region of flash that was updated. If this address matches the start address of a partition or slot, then that partition or slot is treated preferentially during boot (when there is a choice). This type of boot facilitates TBYB ([Section 5.1.17](#)) and version downgrades.
- `0x000d` : `REBOOT_TYPE_PC_SP` - reboot to a specific PC and SP. Note: this is not allowed in the *Arm-NS* variant.
 - *p0* - the initial program counter (PC) to start executing at. This must have the lowest bit set for Arm and clear for RISC-V
 - *p1* - the initial stack pointer (SP).

All of the above, can have optional flags ORed in:

- `0x0010` : `REBOOT_TO_ARM` - switch both cores to the Arm architecture (rather than leaving them as is). The call will fail with `BOOTROM_ERROR_INVALID_STATE` if the Arm architecture is not supported.
- `0x0020` : `REBOOT_TO_RISCV` - switch both cores to the RISC-V architecture (rather than leaving them as is). The call will fail with `BOOTROM_ERROR_INVALID_STATE` if the RISC-V architecture is not supported.

- `0x0100 : NO_RETURN_ON_SUCCESS` - the watchdog hardware is asynchronous. Setting this bit forces this method not to return *if* the reboot is successfully initiated.

i NOTE

The `p0` and `p1` parameters are generally written to watchdog scratch registers 2 & 3, and are interpreted post-reboot by the boot path code. The exception is `REBOOT_TYPE_NORMAL` where this API handles the `p0` value before rebooting; the boot path itself does not accept any parameters for `REBOOT_TYPE_NORMAL`.

5.4.8.25. `secure_call`

Code: 'S','C'

Signature: `int secure_call(...)`

Supported architectures: `Arm-NS`

Returns: `>= 0` on success, a negative error code on error.

Call a Secure method from Non-secure code, passing the method to be called in the register `r4` (other arguments passed as normal).

This method provides the ability to decouple the Non-secure code from the Secure code, allowing the former to call methods in the latter without needing to know the location of the methods.

This call will always return `BOOTROM_ERROR_INVALID_STATE` unless Secure Arm code has provided a handler function via `set_rom_callback()`; if there is a handler function, this method will return the return code that the handler returns, with the convention that `BOOTROM_ERROR_INVALID_ARG` if the "function selector" (in `r4`) is not supported.

Certain well-known "function selectors" will be pre-defined to facilitate interaction between Secure and Non-secure SDK code, or indeed with other environments (for example, logging to secure UART/USB CDC, launch of core 1 from NS code, watchdog reboot from NS code back into NS code, etc.)

To avoid conflicts the following bit patterns are used for "function selectors":

- `0b0xxx xxxx xxxx xxxx xxxx xxxx xxxx` is a "well known" function selector; don't use for your own methods
- `0b10xx xxxx xxxx xxxx xxxx xxxx xxxx` is a "unique" function selector intended to be unlikely to clash with others'. The lower 30 bits should be chosen at random
- `0b11xx xxxx xxxx xxxx xxxx xxxx xxxx` is a "private" function selector intended for use by tightly coupled NS and S code

5.4.8.26. `set_bootrom_stack`

Code: 'S','S'

Signature: `int set_bootrom_stack(uint32_t base_size[2])`

Supported architectures: `RISC-V`

Returns: `BOOTROM_OK` (0) on success, a negative error code on error.

Most bootrom functions are written just once, in Arm code, to save space. As a result these functions are emulated when running under the RISC-V architecture. This is largely transparent to the user, however the stack used by the Arm emulation is separate from the calling user's stack, and is stored in boot RAM and is of quite limited size. When using certain of the more complex APIs or if nesting bootrom calls from within IRQs, you may need to provide a larger stack.

This method allows the caller to specify a region of RAM to use as the stack *for the current core* by passing a pointer to two values: the word aligned base address, and the size in bytes (multiple of 4).

The method fills in the previous base/size values into the passed array before returning.

5.4.8.27. `set_ns_api_permission`

Code: 'S','P'

Signature: `int set_ns_api_permission(uint ns_api_num, bool allowed)`

Supported architectures: *Arm-S*

Returns: `BOOTROM_OK` (0) on success, a negative error code on error.

Allow or disallow the specific NS API; all NS APIs default to disabled.

`ns_api_num` is one of the following, configuring *Arm-NS* access to the given API. When an NS API is disabled, calling it will return `BOOTROM_ERROR_NOT_PERMITTED`.

- `0x0`: `get_sys_info`
- `0x1`: `flash_op`
- `0x2`: `flash_runtime_to_storage_addr`
- `0x3`: `get_partition_table_info`
- `0x4`: `secure_call`
- `0x5`: `otp_access`
- `0x6`: `reboot`
- `0x7`: `get_b_partition`

i NOTE

All permissions default to disallowed after a reset (see also [bootrom_state_reset\(\)](#)).

5.4.8.28. `set_rom_callback`

Code: 'R','C'

Signature: `int set_rom_callback(uint callback_number, int (*callback)(...))`

Supported architectures: *Arm-S, RISC-V*

Returns: `>= 0` (the old callback pointer) on success, a negative error code on error.

The only currently supported `callback_number` is `0` which sets the callback used for the `secure_call` API.

A callback pointer of `0` deletes the callback function, a positive callback pointer (all valid function pointers are on RP2350) sets the callback function, but a negative callback pointer can be passed to get the old value without setting a new value.

If successful, returns `>=0` (the existing value of the function pointer on entry to the function).

5.4.8.29. `validate_ns_buffer`

Code: 'V','B'

Signature: `void *validate_ns_buffer(const void *addr, uint32_t size, uint32_t write, uint32_t *ok)`

Supported architectures: *Arm-S*

Returns: `addr` on success, or a negative error code on error. On RP2350 A3 and newer there are additional out-of-band return values, detailed below.

Utility method that can be used by Secure Arm code to validate a buffer passed to it from Non-secure code.

Both the `write` parameter and the (out) result parameter `ok` are RCP booleans, so `0xa500a500` for true, and `0x00c300c3` for false. This enables hardening of this function, and indeed the `write` parameter must be one of these values or the RCP will halt the system.

For success, the entire buffer must fit in range `XIP_BASE` → `SRAM_END`, and must be accessible by the Non-secure caller according to SAU + NS MPU (privileged or not based on current processor IPSR and NS CONTROL flag). Buffers in USB RAM are also allowed if access is granted to NS via ACCESSCTRL.

On RP2350 A3 and newer, additional out-of-band information is returned from this function to aid calling from assembly code:

- The RCP boolean value returned in the location pointed to by `ok` is now also returned in processor register `r1` (a valid `ok` pointer value or 0 must still be passed).
- The passed size is returned in register `r3`.
- The `N` flag is set based on the register `r1` value, so you can immediately branch with `bpl` for failure.

The A3 bootrom uses a call pattern similar to that shown below to help harden the code against hardware attacks, which might cause skipping of instructions:

```
// at this point, r0, r2, r3 already hold arguments for buffer, write, and *ok
1:  movs r1, #0           // set r1 to invalid RCP_VALUE zero and set N=0
2:  mov r1, ra           // set r1 to size value (stored in another register a)
3:  bl validate_ns_buffer // call the validate function
4:  bpl buffer_invalid  // N==0 is deemed to be false (invalid)
5:  rcp_btrue r1        // negative value should be 0xa500a500
buffer_valid:
6:  movs rb, ra         // reload size for use
7:  rcp_inequal r3, rb  // check r3 has the correct size
// r0 holds 'buffer' on success; this can be used as a check too if desired
8:  // do some secure code with 'buffer' and 'size'
...
buffer_invalid:
// r0 holds BOOTROM_ERROR_INVALID_ADDRESS
...
```

5.4.8.30. `xip_setup_func_ptr`

Code: 'X','F'

Type: `void *(xip_setup_func_ptr)(void)`

5.5. USB mass storage interface

The bootrom provides a standard USB bootloader that makes a writeable drive available for copying code to the RP2350 using UF2 files (see [Section 5.5.2](#)).

A suitable UF2 file copied to the drive is downloaded and written to flash or RAM, and the device is automatically rebooted, making it trivial to download and run code on the RP2350 using only a USB connection.

5.5.1. The RP2350 drive

RP2350 appears as a standard 128MB flash drive named `RP2350` formatted as a single partition with FAT16. There are only ever two actual files visible on the drive specified.

- `INFO_UF2.TXT` contains a string description of the UF2 bootloader and version.
- `INDEX.HTM` redirects to information about the RP2350 device.

The default `INDEX.HTM` for RP2350 A2 is <https://raspberrypi.com/device/RP2?version=5A09D5312E22>. The version parameter is changed for other RP2350 revisions; the first 6 characters are from the git hash of the chip, and the next 6 characters are from the git hash of the bootrom. The contents of these files and the name of the drive may be customised. For more information, see [Section 5.7](#).

Any type of files may be written to the USB drive from the host; however, in general these aren't stored, and only *appear* to be so because of caching on the host side.

When a suitable UF2 file is written to the device, the special contents are recognised and data is written to specified locations in RAM or flash.

Where flash-targeted UF2s are written on RP2350 is determined by the *family id* of the UF2 contents and the partition table.

If there's no partition table, then UF2s are stored at the address they specify; otherwise they (with the exception of the special *ABSOLUTE* family id) are stored into a single partition, with UF2 flash address `0x10000000` mapping to the start of the partition.

It's possible, based on the partition table or family id, that the UF2 isn't downloadable anywhere in flash, in which case, it's ignored. Further detail can be discovered via [GET_INFO - UF2_STATUS](#). On the completed download of an entire valid UF2 file, RP2350 automatically reboots to run the newly downloaded code.

Invalid UF2 files might not write at all or only write partially to RP2350 before failing. Not all operating systems notify you of disk write errors after a failed write. You can use `picotool verify` to verify that a UF2 file wrote correctly to RP2350.

5.5.2. UF2 format details

This section describes the constraints on a UF2 file to be valid for download.

TIP

To generate UF2 files, you can use the `picotool uf2 convert` functionality in `picotool`.

All data destined for the device must be in UF2 blocks with:

- A `familyID` present, with a value in the reserved range `0xe48bff58` through `0xe48bff5b` or a user family ID configured in a partition table (see table in [Section 5.5.3](#)).
- A `payload_size` of 256.

All data must be destined for (and fit entirely within) the following memory ranges (depending on the type of binary being downloaded which is determined by the address of the first UF2 block encountered):

- A regular flash image
 - `0x10000000-0x12000000` *flash*: All blocks must be targeted at 256 byte alignments. Writes beyond the end of physical flash will wrap back to the beginning of flash.
- A *RAM only* image
 - `0x20000000-0x20082000` *main RAM*: Blocks can be positioned with byte alignment.
 - `0x13ffc000-0x14000000` *XIP RAM*: (since flash isn't being targeted, the flash cache is available for use as RAM with same properties as *main RAM*).

i NOTE

Traditionally UF2 has only been used to write to flash, but this is more a limitation of using the metadata-free `.BIN` file as the source to generate the UF2 file. RP2350 takes full advantage of the inherent flexibility of UF2 to support the full range of binaries in the richer `.ELF` format produced by the build to be used as the source for the UF2 file.

- The `numBlocks` must specify a total size of the binary that fits in the regions specified above
- A change of `numBlocks` or the binary type (determined by UF2 block target address) will discard the current transfer in progress.
- A change in the `familyID` will discard the current transfer in progress.
- All device destined data must be in blocks without the `UF2_FLAG_NOT_MAIN_FLASH` marking which relates to content to be ignored rather than flash vs RAM.

i NOTE

When targeting flash, the UF2 block target addresses are interpreted to be in the content of a flash binary that starts at `0x10000000`. The UF2 image may be downloaded into a partition that starts somewhere else in flash, so the actual storage address is `uf2_image_target_base + uf2_block_target_addr - 0x10000000`.

The flash is always erased a 4 kB sector at a time, so including data for only a subset of the 256-byte pages within a sector in a flash-binary UF2 will leave the remaining 256-byte pages of the sector erased but undefined.

A binary is considered "downloaded" when each of the `numBlocks` blocks has been seen at least once in the course of a single valid transfer. The data for a block is only written the first time in case of the host resending duplicate blocks.

After a UF2 is completely downloaded, the RP2350 reboots, ostensibly to run the new binary. Since RP2350 supports downloading a variety of executable and non-executable UF2s into partitions, the partition contains a flag which can be used to turn off this reboot behaviour on a case by case basis.

i NOTE

When rebooting after a flash download, a `flash update boot` is performed. As a result, the newly written partition is preferred when considered in an A/B choice, but it doesn't boot if another bootable image is found in an earlier partition. When rebooting after a RAM download, then the image search starts at the lowest address of a downloaded block (with main RAM considered lower than flash cache if both are present, and the search only spanning one of either main RAM or the flash cache)

It is possible for host software to temporarily disable UF2 writes via the PICOB00T interface to prevent interference with operations being performed via that interface (see below), in which case any UF2 file write in progress will be aborted.

i NOTE

If a problem is encountered downloading the UF2, then it will appear as if *nothing has happened* since the device will not reboot. The `picotool` command `uf2 info` can be used to determine the status of the last download in this case (see also `GET_INFO - UF2_STATUS`).

5.5.3. UF2 targeting rules

When the first block of a UF2 is downloaded, a choice is made where to store the UF2 in flash based on the `family ID` of the UF2. This choice is performed by the same code as the `get_uf2_target_partition()` API (see [Section 5.4.8.18](#)).

The following family IDs are defined by the bootrom. However, the user can use their own for more specific targeting:

Table 455. Table of standard UF2 family IDs understood by the RP2350 bootrom

| Name | Value | Description |
|----------------------------|-------------------------|--|
| <code>absolute</code> | <code>0xe48bff57</code> | Special family ID for content intended to be written directly to flash, ignoring partitions. |
| <code>rp2040</code> | <code>0xe48bff56</code> | RP2040 executable image. |
| <code>data</code> | <code>0xe48bff58</code> | Generic catch-all for data UF2s. |
| <code>rp2350_arm_s</code> | <code>0xe48bff59</code> | RP2350 Arm Secure image (one intended to be booted by the bootrom). |
| <code>rp2350_riscv</code> | <code>0xe48bff5a</code> | RP2350 RISC-V image. |
| <code>rp2350_arm_ns</code> | <code>0xe48bff5b</code> | RP2350 Arm Non-secure image. Not directly bootable by the bootrom. However, Secure user code is likely to want to be able to locate binaries of this type. |

NOTE

The only information available to the algorithm that makes the choice of where to store the UF2, is the UF2 family ID; the algorithm can't look inside at the UF2 contents as UF2 data sectors may appear at the device in any order.

A UF2 with the `absolute` family ID is downloaded without regard to partition boundaries. A partition table (if present) or OTP configuration can define whether `absolute` family ID downloads are allowed, and download to the start of flash. The default factory settings allow for `absolute` family ID downloads

If there is a partition table present, any other family IDs download to a single partition; if there is no partition table present then the `data`, `rp2350-arm-s` (if Arm architecture is enabled) and `rp2350-riscv` (if RISC-V architecture is enabled) family IDs are allowed by default, and the UF2 is always downloaded to the start of flash.

If a partition table is present, then up to four passes are made over the partition table (from first to last partition encountered) until a matching partition is found; Each pass has different selection criteria:

1. Look for an (unowned) **A** partition, ignoring those marked `NOT_BOOTABLE` for the current CPU architecture

Use of the `NOT_BOOTABLE_` flags allows you to have separate boot partitions for each CPU architecture (Arm or RISC-V); were you not to use `NOT_BOOTABLE_` flags in this scenario, and say the first encountered partition has an `IMAGE_DEF`, then, when booting under the RISC-V architecture with auto architecture switching enabled, the bootrom would just switch back into the Arm architecture to boot the Arm binary. Marking the first partition as `NOT_BOOTABLE_RISCV` in the partition table solves this problem.

The correct CPU architecture refers to a match between the architecture of the UF2 (determined by family ID of `rp2350_arm_s` or `rp2350_riscv`) and the current CPU architecture.

This pass allows the user to drop either Arm or RISC-V UF2s, and have them stored as you'd want for the `NOT_BOOTABLE_` flag scenario.

2. If auto architecture switching is enabled and the other architecture is available, look for an (unowned) **A** partition, ignoring those marked `NOT_BOOTABLE` for that CPU architecture.

This pass is designed to match the boot use case of booting images from the other architecture as a fallback. If there is a partition that would be booted as a result auto architecture switching then this a reasonable place to store this UF2 for the alternative architecture.

3. Look for any unowned **A** partition that accepts the family ID

This pass provides a way to target any UF2s to a partitions based on family ID, but assumes that you'd prefer a UF2 to go into a matching top-level partition vs an owned partition.

4. Finally, look for any **A** partition that accepts the family ID

This pass implicitly only looks at owned partitions, since unowned partitions would have been matched in the previous pass.

If none of the passes find a match, the UF2 contents aren't then downloaded. The `picotool` command `uf2 info` can be

used to determine the status of the last download in this case (see also [GET_INFO - UF2_STATUS](#)).

5.5.3.1. A/B partitions and ownership

Each of the above passes refers to finding an A partition. Any partition that isn't a B partition is an A partition; an unpaired partition is classed as an A partition.

If the found A partition doesn't have a B partition paired with it, then the A partition is the UF2 target partition.

If however, the A partition has a B partition, then a further choice must be made as to which of the A/B partitions should be targeted.

1. If the A partition is unowned, then the partition choice is made based on any current valid `IMAGE_DEF` in those partitions. The valid partition with the higher version number isn't chosen; in the case of executable `IMAGE_DEFS`, this is the opposite of what would happen during boot; this makes sense as you want to drop the UF2 on the partition which isn't currently booting.
2. If the A partition is marked owned, then the contents of the A partition and B partition are assumed not to contain `IMAGE_DEFS` which can be used to make a version based choice. Therefore, the owner of the A partition (`A_owner`) and its B partition (`B_owner`) are used to make the choice

It is however dependent on the use case whether you would want a UF2 that is destined for partition A / partition B to go into partition A when partition `A_owner` has an `IMAGE_DEF` with the higher version (would boot if the `IMAGE_DEF` was executable) or when `B_owner` has an `IMAGE_DEF` with the higher version. By default, the bootrom picks partition A when partition `A_owner` has the higher versioned `IMAGE_DEF`, however this can be changed by setting the `UF2_DOWNLOAD_AB_NON_BOOTABLE_OWNER_AFFINITY` flag in partition A.

5.5.3.2. Multiple UF2 families

It is possible to include sectors targeting different family IDs in the same UF2 file. The intention in the UF2 specification is to allow one file to be shipped for multiple different devices, but the expectation is that each device only accepts one UF2 family ID.

Similarly on RP2350, it is only supported to download a UF2 file containing multiple family IDs if *only one* of those family IDs is acceptable for download to the device according to the above rules.

5.6. USB PICOBOT interface

The PICOBOT interface is a low level USB protocol for interacting with the RP2350 while it is in BOOTSEL mode. This interface may be used concurrently with the USB Mass Storage Interface.

It provides for flexible reading from and writing to RAM or flash, rebooting, executing code on the device and a handful of other management functions.

Constants and structures related to the interface can be found in the SDK header `picoboot.h` in the [SDK](#)

5.6.1. Identifying the device

A RP2350 device can be recognised by the Vendor ID and Product ID in its device descriptor (shown in [Table 456](#)), unless different values have been set in OTP (see [Section 5.7](#))

Table 456. RP2350 Boot Device Descriptor

| Field | Value |
|------------------------------|-------|
| <code>bLength</code> | 18 |
| <code>bDescriptorType</code> | 1 |

| Field | Value |
|--------------------|--|
| bcdUSB | 2.10 |
| bDeviceClass | 0 |
| bDeviceSubClass | 0 |
| bDeviceProtocol | 0 |
| bMaxPacketSize0 | 64 |
| idVendor | 0x2e8a - this value may be overridden in OTP |
| idProduct | 0x000f - this value may be overridden in OTP |
| bcdDevice | 1.00 - this value may be overridden in OTP |
| iManufacturer | 1 |
| iProduct | 2 |
| iSerial | 3 |
| bNumConfigurations | 1 |

5.6.2. Identifying the interface

The PICOB00T interface is recognised by the vendor-specific Interface Class, the zero Interface Sub Class, and Interface Protocol (shown in [Table 457](#)).

Don't rely on the interface number, because that is dependent on whether the device is currently exposing the Mass Storage Interface. The device might not be currently exposing the PICOB00T interface at all, so you mustn't assume it's present.

Table 457. PICOB00T Interface Descriptor

| Field | Value |
|--------------------|------------------------|
| bLength | 9 |
| bDescriptorType | 4 |
| bInterfaceNumber | varies |
| bAlternateSetting | 0 |
| bNumEndpoints | 2 |
| bInterfaceClass | 0xff (vendor specific) |
| bInterfaceSubClass | 0 |
| bInterfaceProtocol | 0 |
| iInterface | 0 |

5.6.3. Identifying the endpoints

The PICOB00T interface provides a single **BULK_OUT** and a single **BULK_IN** endpoint. These can be identified by their direction and type. You mustn't rely on endpoint numbers.

5.6.4. PICOBOOT Commands

The two bulk endpoints are used for sending commands and retrieved successful command results. All commands are exactly 32 bytes (see Table 458) and sent to the `BULK_OUT` endpoint.

Table 458. PICOBOOT Command Definition

| Offset | Name | Description |
|--------|-----------------|--|
| 0x00 | dMagic | The value 0x431fd10b |
| 0x04 | dToken | A user provided token to identify this request by |
| 0x08 | bCmdId | The ID of the command. Note that the top bit indicates data transfer direction (0x80 = IN) |
| 0x09 | bCmdSize | Number of bytes of valid data in the args field |
| 0x0a | reserved | 0x0000 |
| 0x0c | dTransferLength | The number of bytes the host expects to send or receive over the bulk channel |
| 0x10 | args | 16 bytes of command-specific data padded with zeros |

If a command sent is invalid or not recognised, the bulk endpoints will be stalled. Further information will be available via the `GET_COMMAND_STATUS` request (see Section 5.6.5.2).

Following the initial 32 byte packet, if `dTransferLength` is non-zero, then that many bytes are transferred over the bulk pipe and the command is completed with an empty packet in the opposite direction. If `dTransferLength` is zero then command success is indicated by an empty IN packet.

The following commands are supported (note common fields `dMagic`, `dToken`, and `reserved` are omitted for clarity)

5.6.4.1. EXCLUSIVE_ACCESS (0x01)

Claim or release exclusive access for writing to the RP2350 over USB (versus the Mass Storage Interface)

Table 459. PICOBOOT EXCLUSIVE_ACCESS command structure

| Offset | Name | Value / Description | |
|--------|-----------------|-------------------------|---|
| 0x08 | bCmdId | 0x01 (EXCLUSIVE_ACCESS) | |
| 0x09 | bCmdSize | 0x01 | |
| 0x0c | dTransferLength | 0x00000000 | |
| 0x10 | bExclusive | NOT_EXCLUSIVE (0) | No restriction on USB Mass Storage operation |
| | | EXCLUSIVE (1) | Disable USB Mass Storage writes (the host should see them as write protect failures, but in any case any active UF2 download will be aborted) |
| | | EXCLUSIVE_AND_EJECT (2) | Lock the USB Mass Storage Interface out by marking the drive media as not present (ejecting the drive) |

5.6.4.2. REBOOT (0x02)

Not supported on RP2350.

Use Section 5.6.4.10 instead.

5.6.4.3. FLASH_ERASE (0x03)

Erases a contiguous range of flash sectors.

Table 460. PICOB00T FLASH_ERASE command structure

| Offset | Name | Value / Description |
|--------|-----------------|--|
| 0x08 | bCmdId | 0x03 (FLASH_ERASE) |
| 0x09 | bCmdSize | 0x08 |
| 0x0c | dTransferLength | 0x00000000 |
| 0x10 | dAddr | The address in flash to erase, starting at this location. This must be sector (4 kB) aligned |
| 0x14 | dSize | The number of bytes to erase. This must an exact multiple number of sectors (4 kB) |

5.6.4.4. READ (0x84)

Read a contiguous memory (flash or RAM or ROM) range from the RP2350

Table 461. PICOB00T Read memory command (flash, RAM, ROM) structure

| Offset | Name | Value / Description |
|--------|-----------------|---|
| 0x08 | bCmdId | 0x84 (READ) |
| 0x09 | bCmdSize | 0x08 |
| 0x0c | dTransferLength | Must be the same as dSize |
| 0x10 | dAddr | The address to read from. May be in flash or RAM or ROM |
| 0x14 | dSize | The number of bytes to read |

5.6.4.5. WRITE (0x05)

Writes a contiguous memory range of memory (flash or RAM) on the RP2350.

Table 462. PICOB00T Write memory command (flash, RAM) structure

| Offset | Name | Value / Description |
|--------|-----------------|--|
| 0x08 | bCmdId | 0x05 (WRITE) |
| 0x09 | bCmdSize | 0x08 |
| 0x0c | dTransferLength | Must be the same as dSize |
| 0x10 | dAddr | The address to write from. May be in flash or RAM, however must be page (256 byte) aligned if in flash. Flash must be erased first or the results are undefined. |
| 0x14 | dSize | The number of bytes to write. If writing to flash and the size isn't an exact multiple of pages (256 bytes) then the last page is zero-filled to the end. |

5.6.4.6. EXIT_XIP (0x06)

A no-op provided for compatibility with RP2040. An XIP exit sequence (`flash_exit_xip()`) is issued once before entering the USB bootloader, which returns the external QSPI device from whatever XIP state it was in to a serial command state, and the external QSPI device then remains in this state until reboot.

Table 463. PICOBOOT EXIT_XIP command structure

| Offset | Name | Value / Description |
|--------|-----------------|---------------------|
| 0x08 | bCmdId | 0x06 (EXIT_XIP) |
| 0x09 | bCmdSize | 0x00 |
| 0x0c | dTransferLength | 0x00000000 |

5.6.4.7. ENTER_XIP (0x07)

A no-op provided for compatibility with RP2040. Note that, unlike RP2040, the low-level bootrom flash operations do not leave the QSPI interface in a state where XIP is inaccessible, therefore there is no need to reinitialise the interface each time. XIP setup is performed once before entering the USB bootloader, using an 03h command with a fixed clock divisor of 6.

Table 464. PICOBOOT Enter Execute in place (XIP) command

| Offset | Name | Value / Description |
|--------|-----------------|---------------------|
| 0x08 | bCmdId | 0x07 (ENTER_XIP) |
| 0x09 | bCmdSize | 0x00 |
| 0x0c | dTransferLength | 0x00000000 |

5.6.4.8. EXEC (0x08)

Not supported on RP2350.

5.6.4.9. VECTORIZE_FLASH (0x09)

Not supported on RP2350.

5.6.4.10. REBOOT2 (0x0a)

Reboots the RP2350 out of BOOTSEL mode. Note that BOOTSEL mode may be re-entered if no valid bootable image is found.

The parameters *flags*, *delay_ms*, *p0*, *p1* are the same as for [api_reboot\(\)](#)

Table 465. PICOBOOT REBOOT2 command structure

| Offset | Name | Value / Description |
|--------|-----------------|---------------------|
| 0x08 | bCmdId | 0x0a (REBOOT2) |
| 0x09 | bCmdSize | 0x10 |
| 0x0c | dTransferLength | 0x00000000 |
| 0x10 | dAddr | flags |
| 0x14 | dSize | delay_ms |
| 0x18 | dSize | p0 |
| 0x1c | dSize | p1 |

5.6.4.11. GET_INFO (0x8b)

Generic conduit for retrieving information from the device.

The transfer length indicates the maximum number of bytes to be retrieved. The first word returned indicates the number of significant words of data that follow. A full "transfer length" is always returned, padding with zeroes as necessary.

"Word 0", below, refers to the first word of the actual response (the word after the count word).

Table 466. PICOBOOT
GET_INFO command
structure

| Offset | Name | Value / Description |
|--------|-----------------|---|
| 0x08 | bCmdId | 0x0b (GET_INFO) |
| 0x09 | bCmdSize | 0x10 |
| 0x0c | dTransferLength | the size of data to be received. Note this must be a multiple of 4, and less than 256 |

| Offset | Name | Value / Description |
|--------|-------|---|
| 0x10 | bType | <p>the type of information being retrieved:</p> <ul style="list-style-type: none"> • 0x1 - INFO_SYS : Retrieves information from <code>get_sys_info()</code>; the <code>flag</code> parameter for that function comes from <code>dParam0</code>. • 0x2 - PARTITION : Retrieves information from <code>get_partition_table_info()</code>; the <code>flags_and_partition</code> parameter for that function comes from <code>dParam0</code>. • 0x03 - UF2_TARGET_PARTITION : Retrieves the partition that a given UF2 family_id would be downloaded into (if it were dragged on the USB drive in BOOTSEL mode). The family id is passed in <code>dParam0</code>. <ul style="list-style-type: none"> ◦ Word 0 : Target partition number: <ul style="list-style-type: none"> ▪ 0-15 : the partition number the family would be downloaded to ▪ 0xff : if the family would be downloaded at an absolute location ▪ -1 : if there is nowhere to download the family ◦ Word 1 : Target partition Section 5.9.4.2 if the partition number is not -1 ◦ Word 2 : Target partition Section 5.9.4.2 if the partition number is not -1 • 0x04 - UF2_STATUS : Retrieves information about the current/recent UF2 download <ul style="list-style-type: none"> ◦ Word 0 - 0xnnrr00af <ul style="list-style-type: none"> ▪ 'n' - no reboot flag; if 0x01, there is no reboot when the UF2 download completes ▪ 'r' - if 0x01, the UF2 being download is a RAM UF2 ▪ 'a' - UF2 download abort reason flags <ul style="list-style-type: none"> ▪ 0x1 EXCLUSIVELY_LOCKED ▪ 0x2 BAD_ADDRESS ▪ 0x4 WRITE_ERROR ▪ 0x8 REBOOT_FAILURE // if the UF2 targeted a disabled architecture ▪ 'f' - UF2 download status flags <ul style="list-style-type: none"> ▪ 0x1 IGNORED_FAMILY ◦ Word 1 - the current family id ◦ Word 2 - the number of 256 byte blocks successfully downloaded ◦ Word 3 - the total number of 256 byte blocks in the UF2 to download |

5.6.4.12. OTP_READ (0x8c)

Reads data out of OTP. (see also `otp_access()` which provides the data). Data returned is subject to the "BL" OTP permissions, which define bootloader OTP access permissions.

Table 467. PICOBOOT OTP_READ command structure

| Offset | Name | Value / Description |
|--------|-----------------|---|
| 0x08 | bCmdId | 0x8c (OTP_READ) |
| 0x09 | bCmdSize | 0x05 |
| 0x0c | dTransferLength | $wRowCount \times (bEcc?2:4)$ |
| 0x10 | wRow | the first row number to read |
| 0x12 | wRowCount | the number of rows to read |
| 0x14 | bEcc | <ul style="list-style-type: none"> 0 - if reading raw rows (32 bits are returned per row, the top 8 of which are zero) 1 - if reading rows as ECC rows (16 bits per row are returned) |

5.6.4.13. OTP_WRITE (0x0d)

Reads data out of OTP. (see also [otp_access\(\)](#) which performs the operation). Writing is subject to the "BL" OTP permissions, which define bootloader OTP access permissions.

Table 468. PICOBOOT OTP_WRITE command structure

| Offset | Name | Value / Description |
|--------|-----------------|--|
| 0x08 | bCmdId | 0x0d (OTP_WRITE) |
| 0x09 | bCmdSize | 0x05 |
| 0x0c | dTransferLength | $wRowCount \times (bEcc?2:4)$ |
| 0x10 | wRow | the first row number to read |
| 0x12 | wRowCount | the number of rows to read |
| 0x14 | bEcc | <ul style="list-style-type: none"> 0 - if writing raw rows (32 bits are provided per row, the top 8 of which are ignored) 1 - if writing ECC rows (16 bits are provided per row, and are written with error correcting information to the OTP) |

5.6.5. Control requests

The following requests are sent to the interface via the default control pipe.

5.6.5.1. INTERFACE_RESET (0x41)

The host sends this control request to reset the PICOBOOT interface. This command:

- Clears the HALT condition (if set) on each of the bulk endpoints
- Aborts any in-process PICOBOOT or Mass Storage transfer and any flash write (this method is the only way to kill a stuck flash transfer).
- Clears the previous command result
- Removes `EXCLUSIVE_ACCESS` and remounts the Mass Storage drive if it was ejected due to exclusivity.

Table 469. PICOBOOT
Reset PICOBOOT
interface control

| bmRequestType | bRequest | wValue | wIndex | wLength | Data |
|---------------|-----------|--------|-----------|---------|------|
| 01000001b | 01000001b | 0000h | Interface | 0000h | none |

This command responds with an empty packet on success.

5.6.5.2. GET_COMMAND_STATUS (0x42)

Retrieve the status of the last command (which may be a command still in progress). Successful completion of a PICOBOOT Protocol Command is acknowledged over the bulk pipe, however if the operation is still in progress or has failed (stalling the bulk pipe), then this method can be used to determine the operation's status.

Table 470. PICOBOOT
Get last command
status control

| bmRequestType | bRequest | wValue | wIndex | wLength | Data |
|---------------|-----------|--------|-----------|---------|------|
| 11000001b | 01000010b | 0000h | Interface | 0000h | none |

The command responds with the following 16 byte response

Table 471. PICOBOOT
Get last command
status control
response

| Offset | Name | Description |
|--------|--------|---|
| 0x00 | dToken | The user token specified with the command |

| Offset | Name | Description | |
|-------------------------------|---|---------------------------------------|---|
| 0x04 | dStatusCode | OK (0) | The command completed successfully (or is in still in progress) |
| | | UNKNOWN_CMD (1) | The ID of the command was unrecognised |
| | | INVALID_CMD_LENGTH (2) | The length of the command request was incorrect |
| | | INVALID_TRANSFER_LENGTH (3) | The data transfer length was incorrect given the command |
| | | INVALID_ADDRESS (4) | The address specified was invalid for the command type; this means that the address didn't match the type (flash or RAM) that the command was expecting |
| | | BAD_ALIGNMENT (5) | The address specified was incorrectly aligned according to the requirements of the command |
| | | INTERLEAVED_WRITE (6) | A Mass Storage Interface UF2 write has interfered with the current operation. The command was abandoned with unknown status. This doesn't happen if you have <i>exclusive</i> access. |
| | | REBOOTING (7) | The device is in the process of rebooting, so the command has been ignored. |
| | | UNKNOWN_ERROR (8) | Some non-specific error occurred. |
| | | INVALID_STATE (9) | Something happened or failed to happen in the past, and consequently the request can't (currently) be serviced. |
| | | NOT_PERMITTED (10) | Permission violation, such as write to read-only flash partition. |
| | | INVALID_ARG (11) | Argument is outside of range of supported values. |
| | | BUFFER_TOO_SMALL (12) | The provided buffer was too small to hold the result. |
| | | PRECONDITION_NOT_MET (13) | The operation failed because another bootrom function must be called first. |
| | | MODIFIED_DATA (14) | Cached data was determined to be inconsistent with the full version of the data it was calculated from. |
| | | INVALID_DATA (15) | A data structure failed to validate. |
| | | NOT_FOUND (16) | Attempted to access something that doesn't exist; or a search failed. |
| UNSUPPORTED_MODIFICATION (17) | Write is impossible based on previous writes, such as attempting to clear an OTP bit. | | |
| 0x08 | bCmdId | The ID of the command | |
| 0x09 | bInProgress | 1 if the command is still in progress | 0 otherwise |
| 0x0a | reserved | (6 zero bytes) | |

5.7. USB white-labelling

To brand RP2350-based products, customers may replace identifying information exposed by USB interfaces. We call this **white-labelling**, and you can accomplish it in RP2350 by specifying values in OTP.

1. Write the OTP location of the white-label data structure via `USB_WHITE_LABEL_ADDR` (see that register description for the data structure contents).
2. Initialise the fields you wish to override in the white-label data structure and mark them valid.
3. Set `USB_BOOT_FLAGS.WHITE_LABEL_ADDR_VALID` to mark the white-labelling as valid.

The following fields can be modified:

5.7.1. USB device descriptor

The USB device descriptor includes the following 16-bit values:

- `VID` (default `0x2e8a`)
- `PID` (default `0x000f`)
- `BCD_DEVICE` (default `0x0100`)
- `LANG_ID` (default `0x0409`)

5.7.2. USB device strings

- `MANUFACTURER` (default "Raspberry Pi", max-length 30 UTF-16 or ASCII chars)
- `PRODUCT` (default "RP2350 Boot", max-length 30 UTF-16 or ASCII chars)
- `SERIAL_NUMBER` (default uppercase hex string of the `device_id`; first 4 rows of OTP, max-length 30 UTF-16 or ASCII chars)

5.7.3. USB configuration descriptor

The USB Configuration Description isn't strictly white-labelling, but is still helpful for users:

- `ATTRIBUTES_MAX_POWER_VALUES` (default `0xfa80`, meaning `bMaxPower` of `0xfa` and `bmAttributes=0x80`)

5.7.4. MSD drive

- `VOLUME_LABEL` (default "RP2350", max-length 11 ASCII chars)

5.7.5. UF2 INDEX.HTM file

This is of the form:

```
<html>
  <head>
    <meta http-equiv="refresh" content="0;URL='*REDIRECT_URL*' "/>
  </head>
  <body>Redirecting to <a href='`*REDIRECT_URL*'` '*REDIRECT_NAME*'</a></body>
</html>
```

- `REDIRECT_URL` (default "https://raspberrypi.com/device/RP2?version=5A09D5312E22", note the 12 hex digits are the first 6 of the `SYSINFO_GITREF_RP2350` and the first 6 of the bootrom `gitref`, max-length 127 ASCII chars)
- `REDIRECT_NAME` (default "raspberrypi.com", max-length 127 ASCII chars)

5.7.6. UF2 INFO_UF2.TXT file

This is of the form:

```
UF2 Bootloader v1.0
Model: MODEL
Board-ID: BOARD_ID
```

- **MODEL** (default "Raspberry Pi RP2350", max-length 127 ASCII chars)
- **BOARD_ID** (default "RP2350", max-length 127 ASCII chars)

5.7.7. SCSI Inquiry

Returned via the SCSI Inquiry command:

- **VENDOR** (default "RPI", max-length 8 ASCII chars)
- **PRODUCT** (default "RP2350", max-length 16 ASCII chars)
- **VERSION** (default "1", max-length 4 ASCII chars)

5.7.8. Volume label simple example

Newer versions of `picotool` can load white-label data from a JSON file using the `picotool otp white-label -s <start row> <JSON filename>` command. An example JSON file to set the volume label to "SPOON" would be:

```
{
  "volume": {
    "label": "SPOON"
  }
}
```

The `<start row>` is the OTP row where the white-label structure will be written - for example `0x400`.

The full set of white-label fields which can be written using a JSON file are shown below. The `manufacturer`, `product` and `serial_number` fields support Unicode characters, if you need special characters or emoji in your product name, but this will take up twice as much room per character in the OTP for that field.

```
{
  "device": {
    "vid": "0x2e8b",
    "pid": "0x000e",
    "bcd": 2.15,
    "lang_id": "0x0c09",
    "manufacturer": "Test's Pis",
    "product": "Test RP2350?",
    "serial_number": "notnecessarilyanumber",
    "max_power": "0x20",
    "attributes": "0xe0"
  },
  "scsi": {
    "vendor": "TestPi",
    "product": "MyPi",
    "version": "v897"
  },
}
```

```

"volume": {
  "label": "TestPi Boot",
  "redirect_url": "https://datasheets.raspberrypi.com/rp2350/rp2350-datasheet.pdf",
  "redirect_name": "The datasheet",
  "model": "My Test Pi",
  "board_id": "TPI-RP2350"
}
}

```

5.7.9. Volume label in-depth example

The following example demonstrates how to manually change the volume label using `picotool` to the value "SPOON":

1. First, define the row of white label structure to be `0x400`:

```
$ picotool otp set -e OTP_DATA_USB_WHITE_LABEL_ADDR 0x400
```

2. Next, because the volume label is located at index `0x8` within `OTP_DATA_USB_WHITE_LABEL_ADDR`, write to `0x408`. Define the location of the volume label string to be offset from `OTP_DATA_USB_WHITE_LABEL_ADDR` by `0x30`. For this example, "SPOON" has 5 characters, so we write `0x3005` to `0x408`:

```
$ picotool otp set -e 0x408 0x3005
```

3. Then, write the "S" and "P" characters:

```
$ picotool otp set -e 0x430 0x5053
```

4. Then, write the "O" and "O" characters:

```
$ picotool otp set -e 0x431 0x4f4f
```

5. Then, write the "N" character:

```
$ picotool otp set -e 0x432 0x4e
```

6. Finally, enable the valid override to use the new values (bit 8 marks the `VOLUME_LABEL` override as valid, and bit 22 marks the `OTP_DATA_USB_WHITE_LABEL_ADDR` override as valid):

```
$ picotool otp set -r OTP_DATA_USB_BOOT_FLAGS 0x400100
```

7. To put your changes into effect, reboot the device:

```
$ picotool reboot -u
```


5.8. UART boot

UART boot is a minimal interface for bootstrapping a flashless RP2350 from a simple host, such as another microcontroller. It is available by default on a blank device, so it allows RP2350 to be deployed into the field on multi-device boards without loading firmware or programming OTP bits in advance.

To select UART boot, drive QSPI **CS_n** low (BOOTSEL mode) and drive QSPI **SD1** high. The bootrom checks these signals shortly after device reset is released. UART **TX** appears on QSPI **SD2**, and UART **RX** appears on QSPI **SD3**.

The UART mode is **8n1**: one start bit, eight data bits, no parity, one stop bit. Data within each UART frame is sent and received LSB-first. The baud rate is fixed at 1 Mbaud.

5.8.1. Baud rate and clock requirements

The nominal baud rate for UART boot is 1 Mbaud, divided from a nominal 48 MHz system clock frequency. UART boot uses the USB PLL to derive the system clock and UART baud clock, so you must either provide a crystal or drive a stable clock into the crystal oscillator XIN pad. The host baud rate must match the RP2350 baud rate within 3%.

By default the crystal is assumed to be 12 MHz, but the **BOOTSEL_PLL_CFG** and **BOOTSEL_XOSC_CFG** OTP locations override this to achieve a nominal 48 MHz system clock from any supported crystal. The same OTP configuration is used for both USB and UART boot.

TIP

You may drive a somewhat faster or slower clock into XIN without any OTP configuration, if you scale your UART baud rate appropriately. The permissible range is 7.5 to 16 MHz on XIN, limited by the PLL VCO frequency range.

5.8.2. UART boot shell protocol

After the bootrom samples QSPI **CS_n** and **SD1**, there will be a delay of several milliseconds as the bootrom goes through some necessary steps such as switching from the ring oscillator to the PLL, and erasing SRAM before releasing it to the Non-secure UART bootloader.

The UART bootloader signals it is ready to begin by printing the ASCII splash string **RP2350**. In bytes, this is **0x52, 0x50, 0x32, 0x33, 0x35, 0x30**.

Before sending any commands, you must send a special knock sequence to unlock the interface. This is a measure to avoid transient effects due to noise on GPIOs and ensure the host and device are initially well-synchronised. The sequence is: **0x56, 0xff, 0x8b, 0xe4**. This is the RP2040 UF2 family ID, chosen as a well-known magic number. Any sequence of bytes ending with this four-byte sequence is detected.

A UART boot shell command is always in the host-to-device direction (RP2350 receives), and consists of a single command byte, optionally followed by a 32-byte write payload. RP2350 responds with an optional 32-byte read payload followed by an echo of the command byte. You should wait for the command echo before sending the next command.

The supported commands are:

| Command (ASCII) | Command (hex) | Description |
|-----------------|---------------|--|
| n | 0x6e | No-op. Do nothing, and report back when you've done it. Used to ping the interface when recovering lost synchronisation. Echoes the command byte, 'n'. |
| w | 0x77 | Write a 32-byte payload to the current value of the read/write pointer. Increment the address pointer by 32. Echoes the command byte, 'w', once all 32 bytes are written to memory. |
| r | 0x72 | Read a 32-byte payload from the current value of the read/write pointer. Increment the address pointer by 32. Echoes the command byte, 'r', after transmitting the 32-byte read payload. |

| Command (ASCII) | Command (hex) | Description |
|-----------------|---------------|---|
| c | 0x63 | Clear the read/write pointer. The pointer resets to the first location in SRAM 0x20000000, and you can begin a new read or write sequence from there. Echoes the command byte, 'c'. |
| x | 0x78 | Execute the payload that has been written to memory. Echoes the command byte, 'x', and then reboots, passing a RAM boot search window spanning all of main SRAM. If a valid binary was successfully written into SRAM before sending this command, it will execute. |

Unrecognised commands are echoed with no other effect. More commands may be added in future versions.

5.8.3. UART boot programming flow

1. Reset or power down the RP2350 device.
2. Drive **CSn** low to select BOOTSEL, and **SD1** high to select UART.
3. Release the reset or power up the device.
4. Wait for the splash string to be transmitted on QSPI **SD2 (TX)**.
5. Transmit the knock sequence 0x56, 0xff, 0x8b, 0xe4 on QSPI **SD3 (RX)**.
6. Send a 'n' nop command to ensure the interface is awake; if there is no reply, send the knock sequence again.
7. Send 'w' commands until your entire write payload transfers.
8. (Optional) Send a 'c' clear command to reset the address pointer, and then send 'r' read commands to read back and verify the payload.
9. Send an 'x' execute command to attempt to run the payload.

There is no feedback from UART boot after echoing the final 'x' command. At this point the device reboots to attempt a RAM image boot on the data loaded by the Non-secure UART bootloader. If the RAM image boot fails, the bootrom falls through to the next boot source, continuing the normal boot flow. Maintaining **CSn** driven low and **SD1** driven high will cause the bootrom to fall through back to UART boot a second time, re-sending the UART splash screen: this indicates the bootrom failed to recognise the UART boot binary.

5.8.4. Recovering from a stuck interface

Noise on the GPIOs may cause the UART boot shell to stop replying to commands, for example because it thinks the host is part way through a write payload, and the host thinks that it is not. To resynchronise to the start of the next command:

1. Wait 1 ms for the link to quiesce
2. Send 33 'n' NOP commands (size of longest command)
3. Wait 1 ms and flush your receive data
4. Send 1 'n' NOP command and confirm the device responds with an echoed NOP

If the interface fails to recover, reboot the device and try again. Failure may be caused by:

- Noise on GPIOs (particularly over long traces or wires)
- Incorrect baud rate matching
- An unstable frequency reference on XOSC **XIN**
- Mismatch of voltage levels (for example a QSPI_IOVDD of 1.8 V on RP2350, and a 3.3 V IO voltage on the host)

5.8.5. Requirements for UART boot binaries

A UART boot binary is a normal RAM binary. It must have a valid `IMAGE_DEF` in order for the boot path to recognise it as a bootable binary. The search window for the `IMAGE_DEF` is the whole of SRAM, but it's recommended to place it close to the beginning, because the bootrom searches linearly forward for the beginning of the `IMAGE_DEF`.

The maximum size for a UART boot binary is the entirety of main SRAM: 520 kB, or 532 480 bytes.

UART boot only supports loading to the start of SRAM, so your binary must be linked to run at address `0x20000000`. Sparse loading is unsupported. Your program must load as a single flat binary image.

All security requirements relating to RAM image boot apply to UART boot too. If secure boot is enabled, your binary must be signed. Likewise, if OTP anti-rollback versioning is in effect, your binary's rollback version must be no lower than the version number stored in OTP.

5.9. Metadata block details

5.9.1. Blocks and block loops

Blocks consist of a fixed 32-bit header, one or more `items`, a 32-bit relative offset to the next block, and a fixed 32-bit footer. All multi-byte values within a block are little-endian. Blocks must start on a word-aligned boundary, and the total size is always an exact number of words (a multiple of four bytes).

The final item in a block must be of type `PICOBIN_BLOCK_ITEM_LAST`, which encodes the total word count of the block's items.

The 32-bit relative link forms a linked list of blocks. To be valid, this linked list must eventually link back to the first block in the list, forming a closed `block loop`; failure to close the loop results in the entire linked list being ignored. The loop rule is used to avoid treating orphaned blocks from partially overwritten images being treated as valid.

Due to RAM restrictions in the boot path, size of blocks is limited to 640 bytes for `PARTITION_TABLES` and 384 bytes for `IMAGE_DEFS`. Blocks larger than this are ignored.

The format of a simple block with two items is shown:

| Item | Word | Bytes | Value |
|--------|-----------|-------|--|
| HEADER | 0 | 4 | 0xffffded3 |
| ITEM 0 | 1 | 1 | <i>size_flag</i> :1 (0 means 1-byte size, 1 means 2-byte size), <i>item_type</i> :7 |
| | | 1 | $s_0 \% 256$ |
| | | 1 | $s_0 / 256$ if <i>size_flag</i> == 1 or type-specific data for blocks that are never > 256 words |
| | | 1 | Type-specific data |
| | ... | ... | ... |
| ITEM 1 | 1 + s_0 | 1 | <i>size_flag</i> :1 (0 means 1-byte size, 1 means 2-byte size), <i>item_type</i> :7 |
| | | 1 | $s_1 \% 256$ |
| | | 1 | $s_1 / 256$ if <i>size_flag</i> == 1 or type-specific data for blocks that are never > 256 words |
| | | 1 | Type-specific data |
| | ... | ... | ... |

| Item | Word | Bytes | Value |
|-----------|-------------|-------|--|
| LAST_ITEM | 1 + s0 + s1 | 1 | 0xff (size_flag == 1, item_type == BLOCK_ITEM_LAST) |
| | | 2 | s1 + s2 (other items' size) |
| | | 1 | 0x00 (pad) |
| LINK | 2 + s0 + s1 | 4 | Relative position in bytes of next block HEADER relative to this block's HEADER. this forms a loop, so a single block loop has 0 here. |
| FOOTER | 3 + s0 + s1 | 4 | 0xab123579 |

IMAGE_DEF and PARTITION_TABLE blocks are recognised by their first item being an IMAGE_DEF or PARTITION_TABLE item.

Constants describing blocks can be found in the SDK in picobin.h in the SDK.

5.9.2. Common block items

The following items might appear in a IMAGE_DEF or a PARTITION_TABLE block.

5.9.2.1. VERSION item

A major/minor version number for the binary, 32 bits total, plus optionally a 16-bit rollback version and a list of OTP rows which can be read to determine the (thermometer-coded) minimum major rollback version which this device will allow to be installed. The major and minor are always present, whereas the rollback version and OTP row list are generally only included if rollback protection is required.

NOTE

The rollback version and OTP row list are only valid for IMAGE_DEFS, and are ignored on a RP2350 that hasn't been secured.

If the number of OTP row entries is zero, there is no rollback version for this block.

| Word | Bytes | Value |
|------|-------|--|
| 0 | 1 | 0x48 (size_flag == 0, item_type == PICOBIN_BLOCK_ITEM_1BS_VERSION) |
| | 1 | 2 + ((num_otp_row_entries != 0) + num_row_entries + 1) / 2 |
| | 1 | 0x00 (pad) |
| | 1 | num_otp_row_entries |
| 1 | 2 | Minor Version |
| | 2 | Major Version |
| (2) | (2) | Rollback version (if num_otp_entries != 0) |
| | (2) | First 16-bit OTP Row index (if num_otp_entries != 0) |
| ... | ... | Remaining 16-OTP Row indexes (padded with a zero to make a word boundary if necessary) |

Each OTP row entry indicates the row number (1 through 4095 inclusive) of the first in a group of 3 OTP rows. The three OTP rows are each read as a 24 bit raw value, combined via a bitwise majority vote, and then the index of the most-significant 1 bit determines the version number. So, a single group of three rows can encode rollback versions from 0 to 23 inclusive, or, when all 24 bits are set, an indeterminate version of at least 24. Each additional OTP row index indicates a further group of 3 rows that increases the maximum version by 24.

There is no requirement for different OTP row entries to be contiguous in OTP. They should not overlap, though the

bootrom doesn't need to check this (the boot signing tool may).

i NOTE

For this entry to be considered valid, the number of available bits in the indicated OTP rows must be *strictly greater than* the rollback version. This means that it is always possible to determine that the device's minimum rollback version is greater than the rollback version indicated in this block, even if we don't know the full list of OTP rows used by later major versions.

The major/minor version are used to disambiguate which is newer out of two binaries with the same major rollback version. For example, to select which A/B image to boot from. when no major rollback version is specified, A/B comparisons will treat the missing major version as zero, but no rollback check will be performed.

5.9.2.2. HASH_DEF item

Optional item with information about what how to hash:

| Word | Bytes | Value |
|------|-------|---|
| 0 | 1 | 0x47 (<i>size_flag</i> == 0, <i>item_type</i> == PICOBIN_BLOCK_ITEM_1BS_HASH_DEF) |
| | 1 | 0x03 (<i>size_lo</i>) |
| | 1 | 0x00 (pad) |
| | 1 | 0x01 (PICOBIN_HASH_SHA-256) |
| 1 | 2 | Number of words of block hashed (not including HEADER word at the start of the block) |
| | 2 | 0x0000 (pad) |

`block_words_hashed` must include this item if using this item for a signature.

The most recent `LOAD_MAP` item (see [Section 5.9.3.2](#)) that defines *what* to hash.

5.9.2.3. HASH_VALUE item

Optional item containing a hash value that can be used by the bootrom to verify the hash of an image or partition table when not using signatures.

| Word | Bytes | Value |
|----------|-------|--|
| 0 | 1 | 0x09 (<i>size_flag</i> == 0, <i>item_type</i> == PICOBIN_BLOCK_ITEM_HASH_VALUE) |
| | 1 | 0x01 + <i>n</i> where <i>n</i> is the number of hash words included (1-8) |
| | 2 | 0x0000 (pad) |
| 1 | 4 | Hash Value (lowest significant 32 bits) |
| ... | ... | ... |
| <i>n</i> | 4 | Hash Value (highest significant 32 bits) |

TIP

Whilst a SHA-256 hash is 8 words, you can include fewer (down to 1 word) to save space if you like, and only that many words will be compared against the full 8-word hash at runtime.

This `HASH_VALUE` item is paired with the most recent `HASH_DEF` item (Section 5.9.2.2) which defines what is being hashed.

5.9.2.4. SIGNATURE item

Optional item containing cryptographic signature that can be used by the bootrom to signature check the hashed contents of an image or partition table.

| Word | Bytes | Value |
|------|-------|---|
| 0 | 1 | 0x4b (<i>size_flag</i> == 0, <i>item_type</i> == <code>PICOBIN_BLOCK_ITEM_SIGNATURE</code>) |
| | 1 | 0x21 (Block size in words) |
| | 1 | 0x00 (pad) |
| | 1 | 0x01 (<code>PICOBIN_SIGNATURE_SECP256K1</code>) |
| 1 | 4 | Public Key (lowest significant 32 bits) |
| ... | ... | ... |
| 16 | 4 | Public Key (highest significant 32 bits) |
| 17 | 4 | Signature of hash (lowest significant 32 bits) |
| ... | ... | ... |
| 32 | 4 | Signature of hash (highest significant 32 bits) |

This `SIGNATURE` item is paired with the most recent `HASH_DEF` item (Section 5.9.2.2) which defines what the hash value whose signature is checked.

5.9.3. Image definition items

5.9.3.1. IMAGE_DEF item

The `IMAGE_DEF` item must be the first item within an Image Definition:

| Word | Bytes | Value |
|------|-------|--|
| 0 | 1 | 0x42 (<i>size_flag</i> == 0, <i>item_type</i> == <code>PICOBIN_BLOCK_ITEM_1BS_IMAGE_TYPE</code>) |
| | 1 | 0x01 (Block size in words) |
| | 2 | <i>image_type_flags</i> |

The flags are defined in the SDK in `picobin.h` in the SDK, but are summarised here:

| Bits | Field | Values |
|------|------------|--|
| 0-3 | Image Type | 0 <code>IMAGE_TYPE_INVALID</code> 1 <code>IMAGE_TYPE_EXE</code> : Image is executable 2 <code>IMAGE_TYPE_DATA</code> : Image is valid, but is not intended to be executed 3 <i>reserved</i> |

| Bits | Field | Values |
|---|--------------|---|
| The remaining bits are specific to the Image Type Values are only currently defined for the EXE Image Type: | | |
| 4-5 | EXE Security | 0 EXE_SECURITY_UNSPECIFIED 1 EXE_SECURITY_NS : Image runs in Non-secure mode 2 EXE_SECURITY_S : Image runs in Secure mode 3 reserved |
| 6-7 | reserved | 0 |
| 8-10 | EXE CPU | 0 EXE_CPU_ARM : Image is for the Arm architecture 1 EXE_CPU_RISCV : Image is for the RISC-V architecture 2-7 reserved |
| 11 | reserved | 0 |
| 12-14 | EXE CHIP | 0 EXE_CHIP_RP2040 1 EXE_CHIP_RP2350 2-7 reserved |
| 15 | EXE TBYB | 0 not set 1 EXE_TBYB : Image is flagged for "Try Before You Buy" |

5.9.3.2. LOAD_MAP item

Optional item with a similar representation to the ELF program header. This is used both to define the content to hash, and also to "load" data before image execution. For example, a secure flash binary can be loaded into RAM prior to both signature check and execution.

The load map is a collection of runtime address, physical address, size and flags.

1. For a "packaged" binary, the information tells the bootrom where to load the code/data.
2. For a hashed or signed binary, the runtime addresses and size indicate code/data that must be included in the hash to be verified or signature checked.

i NOTE

If the runtime_address is in equal to the storage_address, then data is never copied, it is just hashed in place.

Explanation of terms:

physical address

Where the data is stored in the logical address space of the image. For instance, the start of a flash image, even if stored in a partition, could have a physical address of `0x10000000`. The closest ELF concept is LMA.

runtime address

The address of the data at runtime. The closest ELF concept is VMA.

storage address

an absolute location where the data is stored in flash. Not necessarily the same as physical address for flash when partitions are in use.

RP2350 uses physical addresses in the `LOAD_MAP`, not storage addresses, since this data is written by a tool working on the ELF which will not necessarily know where the binary will finally be stored in flash.

This serves several purposes:

| Word | Bytes | Value |
|-------|------------------|--|
| 0 | 1 | 0x06 (<i>size_flag</i> == 0, <i>item_type</i> == PICOBIN_BLOCK_ITEM_LOAD_MAP) |
| | 2 | 1 + <i>num_entries</i> * 3 (Block size in words) |
| | 1 | <i>absolute</i> :1, <i>num_entries</i> :7 |
| 1-3 | Load Map Entry 0 | |
| | 4 | <ul style="list-style-type: none"> if <i>absolute</i> == 0 <i>storage_start_address_rel</i> (storage start address relative to the address of this LOAD_MAP item) if <i>absolute</i> == 1 <i>storage_start_address</i> (absolute storage start address) <p>Note: If this value is 0x00000000 irrespective of the value of the <i>absolute</i> flag, then the runtime address range is filled with zeros. In this case, the 32 bit size itself is hashed rather than size zero bytes.</p> |
| | 4 | <i>runtime_start_address</i> (absolute runtime start address) |
| (4-6) | 4 | <ul style="list-style-type: none"> if <i>absolute</i> == 0 <i>size</i> (of memory range in bytes) if <i>absolute</i> == 1 <i>storage_end_address</i> (absolute storage end address) |
| | ... | ... |

All addresses must be word aligned, and sizes a multiple of 4. In RP2350 A3 and earlier, the bootrom allowed sizes which weren't multiples of 4 in some cases, but may not have functioned correctly.

5.9.3.2.1. XIP pinning via LOAD_MAP

Normally, when entering a binary, the XIP cache is un-pinned and flushed. This makes sense both for entering a flash binary, and for security purposes.

If, however, you have a non-flash binary with code or data in the XIP RAM address space, then you need to add a special LOAD_MAP entry to indicate to the bootrom that the XIP contents should be pinned.

Any load-map entry (with *storage_address* == *runtime_address*) and a valid size of greater than zero will suffice, as for example in this simple load map:

| Word | Bytes | Value |
|------|------------------------------|--|
| 0 | 1 | 0x06 (<i>size_flag</i> == 0, <i>item_type</i> == PICOBIN_BLOCK_ITEM_LOAD_MAP) |
| | 2 | 0x04 (Block size in words) |
| | 1 | 0x81 (<i>absolute</i> == 1, <i>num_entries</i> == 1) |
| 1-3 | Load Map Entry 0 | |
| | 4 | XIP_SRAM_BASE (<i>storage_start_address</i>) |
| | 4 | XIP_SRAM_BASE (<i>runtime_start_address</i>) |
| 4 | 0x04 (<i>size</i> in bytes) | |

5.9.3.3. VECTOR_TABLE item

Optional Arm only item for that specifies the location of the initial Arm vector table. The entry_point/initial_sp will be taken from here if present (unless there is also an ENTRY_POINT Item). If there is no ENTRY_POINT or VECTOR_TABLE Item, then the Arm vector table is assumed to be at the start of the image.

| Word | Bytes | Value |
|------|-------|--|
| 0 | 1 | 0x03 (<i>size_flag</i> == 0, <i>item_type</i> == PICOBIN_BLOCK_ITEM_1BS_VECTOR_TABLE) |
| | 1 | 0x02 (Block size in words) |
| | 2 | 0x0000 (pad) |
| 1 | 4 | Vector table (runtime) address |

NOTE

The VECTOR_TABLE Item is ignored on RISC-V.

5.9.3.4. ENTRY_POINT item

Optional item with info on initial PC, SP, and optionally the SP limit

| Word | Bytes | Value |
|------|-------|---|
| 0 | 1 | 0x44 (<i>size_flag</i> == 0, <i>item_type</i> == PICOBIN_BLOCK_ITEM_1BS_ENTRY_POINT) |
| | 1 | 0x03 or 0x04 (Block size in words) |
| | 2 | 0x0000 (pad) |
| 1 | 4 | Initial PC (runtime) address (aka entry point) |
| 2 | 4 | Initial SP address (aka stack pointer) |
| (3) | 4 | Optional SP limit address (aka stack limit) |

5.9.3.5. ROLLING_WINDOW_DELTA item

Optional item that allow for binaries that aren't intended to be run at 0x10000000. Note that this delta is in addition to the roll resulting from the binary being stored in a partition in flash.

| Word | Bytes | Value |
|------|-------|--|
| 0 | 1 | 0x05 (<i>size_flag</i> == 0, <i>item_type</i> == PICOBIN_BLOCK_ITEM_1BS_ROLLING_WINDOW_DELTA) |
| | 1 | 0x02 (Block size in words) |
| | 2 | 0x0000 (pad) |
| 1 | 4 | signed 32 bit delta |

The delta is the number of bytes into the image that 0x10000000 should be mapped.

If positive, the delta must be a multiple of 4 kB, and allows for "skipping over" other data before the start of the binary. If negative, the delta must be a multiple of 4 MB, and allows for running flash binaries linked to run at 0x10400000, 0x01080000 and 0x010c0000 as well as the standard 0x10000000

NOTE

The `ROLLING_WINDOW_DELTA` Item is ignored for non-flash binaries.

5.9.4. Partition table items

Partition tables allows dividing the 32 MB flash region (2 × 16 MB) into partitions. Permissions and other partition attributes may be specified for each partition, along with permissions for the un-partitioned space.

The permission specify read/write access for Secure code, Non-secure code, and "NSBoot" which refers to the boot loader (and PICOBOT)

NOTE

These permissions are only advisory to Secure code, however they are respected by `flash_op()`, the PICOBOT flash access commands, and UF2 downloads.

5.9.4.1. PARTITION_TABLE item

| Word | Bytes | Value |
|---|-------|--|
| 0 | 1 | <code>0x44</code> (<code>size_flag == 0, item_type == PICOBIN_BLOCK_ITEM_PARTITION_TABLE</code>) |
| | 2 | Block size in words |
| | 1 | <code>singleton_flag:1, pad:3, partition_count:4</code> |
| 1 | 4 | <code>unpartitioned_space_permissions_and_flags</code> |
| Partition 0 | | |
| 2 | 4 | <code>permissions_and_location</code> for partition 0 |
| 3 | 4 | <code>permissions_and_flags</code> for partition 0 |
| <i>if _partition_0_has_id:</i> | | |
| 3 | 4 | <code>partition_0_ID_lo</code> |
| 4 | 4 | <code>partition_0_ID_hi</code> |
| <i>one word per additional family ID (can be none):</i> | | |
| x | 4 | <code>partition_0_family ID_0</code> |
| x + 1 | 4 | <code>partition_0_family ID_1</code> |
| | ... | ... |
| <i>if _partition_0_has_name:</i> | | |
| y | 1 | <code>reserved:1 (0), name_len_bytes:7</code> |
| | 1 | <code>partition_0_name_byte_0</code> |
| | 1 | <code>partition_0_name_byte_1</code> |
| | 1 | <code>partition_0_name_byte_2</code> |

| Word | Bytes | Value |
|---------------|-------|--|
| y+1 | 1 | partition_0_name_byte_3 |
| | 1 | partition_0_name_byte_4 |
| | 1 | partition_0_name_byte_5 |
| | 1 | partition_0_name_byte_6 |
| ... | ... | ... |
| | ? | partition_0_name_byte_n_minus_x to partition_0_name_byte_n_minus_2 |
| | 1 | partition_0_name_byte_n_minus_1 |
| | ? | (padding zero bytes to reach word alignment) |
| (Partition 1) | | |
| ... | ... | ... |

5.9.4.2. Partition location, permissions, and flags

Two common words are stored in the partition table for both un-partitioned space and each partition. These common words describe the size/location, along with access permissions and various flags.

The permission fields are repeated in both words, hence the two words are `permissions_and_location` and `permissions_and_flags`.

Table 472. Permission Fields. 'P' means the field applies to partitions, 'U' means the field applies to un-partitioned space, however the word "partition" is always used in the description

| Mask | AppliesTo | Description |
|-------------|-----------|--|
| 0x04000000u | 'P' 'U' | PERMISSION_S_R_BITS |
| | | If set, the partition is readable by Secure code. See Section 5.1.3 |
| 0x08000000u | 'P' 'U' | PERMISSION_S_W_BITS |
| | | If set, the partition is writable by Secure code. See Section 5.1.3 |
| 0x10000000u | 'P' 'U' | PERMISSION_NS_R_BITS |
| | | If set, the partition is readable by Non-secure code. See Section 5.1.3 |
| 0x20000000u | 'P' 'U' | PERMISSION_NS_W_BITS |
| | | If set, the partition is writable by Non-secure code. See Section 5.1.3 |
| 0x40000000u | 'P' 'U' | PERMISSION_NSBOOT_R_BITS |
| | | If set, the partition is readable by NSBOOT (boot loader) Secure code. See Section 5.1.3 |
| 0x80000000u | 'P' 'U' | PERMISSION_NSBOOT_W_BITS |
| | | If set, the partition is writable by NSBOOT (boot loader) Secure code. See Section 5.1.3 |

Table 473. Location Fields. 'P' means the field applies to partitions, 'U' means the field applies to un-partitioned space, however the word "partition" is always used in the description

| Mask | AppliesTo | Description |
|-------------|-----------|--|
| 0x00001fffu | 'P' 'U' | LOCATION_FIRST_SECTOR_BITS |
| | | The sector number (0-4095) of the first sector in the partition (a sector is 4 kB) |
| 0x03ffe000u | 'P' 'U' | LOCATION_LAST_SECTOR_BITS |
| | | The sector number (0-4095) of the last sector in the partition (a sector is 4 kB) |

Table 474. Flags Fields. 'P' means the field applies to partitions, 'U' means the field applies to un-partitioned space, however the word "partition" is always used in the description

| Mask | AppliesTo | Description |
|------------|-----------|---|
| 0x0000001u | 'P' | FLAGS_HAS_ID_BITS |
| | | If set, the partition has a 64 bit identifier |
| 0x0000006u | 'P' | FLAGS_LINK_TYPE_BITS |
| | | The type of link stored in the partition: <ul style="list-style-type: none"> • 0x0 - None • 0x1 - A_PARTITION : This is a "B" partition, and The LINK_VALUE field stores the partition number of the corresponding "A" partition • 0x2 - OWNER : This is an "A" partition, and the LINK_VALUE field stores the partition number of the owning partition (which should also be an "A" partition). |
| 0x0000078u | 'P' | FLAGS_LINK_VALUE_BITS |
| | | If LINK_TYPE is non zero, then this field holds the partition number of the linked partition. |
| 0x0000180u | 'P' | FLAGS_ACCEPTS_NUM_EXTRA_FAMILIES_BITS |
| | | 0-3 the number of extra non-standard UF2 family ids the partition accepts. |
| 0x0000200u | 'P' | FLAGS_NOT_BOOTABLE_ARM_BITS |
| | | If set then this partition is marked non-bootable on Arm, and will be ignored during Arm boot. Setting this for non Arm bootable partitions can improve boot performance. |
| 0x0000400u | 'P' | FLAGS_NOT_BOOTABLE_RISCV_BITS |
| | | If set then this partition is marked non-bootable on RISC-V, and will be ignored during RISC-V boot. Setting this for non RISC-V bootable partitions can improve boot performance. |
| 0x0000800u | 'P' | FLAGS_UF2_DOWNLOAD_AB_NON_BOOTABLE_OWNER_AFFINITY |
| 0x0001000u | 'P' | FLAGS_HAS_NAME_BITS |
| | | If set, the partition has a name. |
| 0x0002000u | 'P' 'U' | FLAGS_UF2_DOWNLOAD_NO_REBOOT_BITS |
| | | If set, the RP2350 will not reboot after dragging a UF2 into this partition. |
| 0x0004000u | 'P' 'U' | FLAGS_ACCEPTS_DEFAULT_FAMILY_RP2040_BITS |
| | | If set, a UF2 with the RP2040 family id 0xe48bff56 may be downloaded into this partition. |
| 0x0008000u | 'U' | FLAGS_ACCEPTS_DEFAULT_FAMILY_ABSOLUTE_BITS |
| | | If set for un-partitioned spaced, a UF2 with the ABSOLUTE family id 0xe48bff57 may be downloaded onto the RP2350 and will be written at the addresses specified in the UF2 without regard to partition locations. Partition-defined flash access permissions are still respected (the UF2 download will fail if it needs to write over a read-only region of flash). |
| 0x0010000u | 'P' 'U' | FLAGS_ACCEPTS_DEFAULT_FAMILY_DATA_BITS |
| | | If set, a UF2 with the DATA family id 0xe48bff58 may be downloaded into this partition. |
| 0x0020000u | 'P' 'U' | FLAGS_ACCEPTS_DEFAULT_FAMILY_RP2350_ARM_S_BITS |
| | | If set, a UF2 with the RP2350_ARM_S family id 0xe48bff59 may be downloaded into this partition. |
| 0x0040000u | 'P' 'U' | FLAGS_ACCEPTS_DEFAULT_FAMILY_RP2350_RISCV_BITS |
| | | If set, a UF2 with the RP2350_RISC_V family id 0xe48bff5a may be downloaded into this partition. |

| Mask | AppliesTo | Description |
|-------------|-----------|--|
| 0x00080000u | 'p' 'u' | <p>FLAGS_ACCEPTS_DEFAULT_FAMILY_RP2350_ARM_NS_BITS</p> <p>If set, a UF2 with the RP2350_ARM_NS family id 0xe48bff5b may be downloaded into this partition.</p> |
| 0x03f00000u | 'p' 'u' | reserved; should be 0 |

5.9.5. Minimum viable image metadata

A minimum amount of metadata (a valid `IMAGE_DEF` block) must be embedded in any binary for the bootrom to recognise it as a valid program image, as opposed to, for example, blank flash contents or a disconnected flash device. This must appear within the first 4 kB of a flash image, or anywhere in a RAM or OTP image.

Unlike RP2040, there is no requirement for flash binaries to have a checksummed "boot2" flash setup function at flash address 0. The RP2350 bootrom performs a simple best-effort XIP setup during flash scanning, and a flash-resident program can continue executing in this state, or can choose to reconfigure the QSPI interface at a later time for best performance.

5.9.5.1. Minimum Arm IMAGE_DEF

Assuming `CRIT1.SECURE_BOOT_ENABLE` is clear, the minimum valid `IMAGE_DEF` is the following 20-byte sequence:

| Word | LE Value | Bytes | Description |
|------|------------|-------|---|
| 0 | 0xffffded3 | 4 | PICOBIN_BLOCK_MARKER_START |
| 1 | 0x10210142 | 1 | 0x42 (<i>item_type</i> == <code>PICOBIN_BLOCK_ITEM_1BS_IMAGE_TYPE</code>) |
| | | 1 | 0x01 (Item is 1 word in size) |
| | | 2 | 0x1021 (<code>PICOBIN_IMAGE_TYPE_IMAGE_TYPE_AS_BITS(EXE)</code> <code>PICOBIN_IMAGE_TYPE_EXE_SECURITY_AS_BITS(S)</code> <code>PICOBIN_IMAGE_TYPE_EXE_CPU_AS_BITS(Arm)</code> <code>PICOBIN_IMAGE_TYPE_EXE_CHIP_AS_BITS(RP23500)</code>) |
| 2 | 0x00001ff | 1 | 0xff (<i>size_type</i> == 1, <i>item_type</i> == <code>PICOBIN_BLOCK_ITEM_2BS_LAST</code>) |
| | | 2 | 0x0001 (<i>size</i>) |
| | | 1 | 0x00 (<i>pad</i>) |
| 3 | 0x00000000 | 4 | Relative pointer to next block in block loop - 0x00000000 means link to self (a loop containing just this block) |
| 4 | 0xab123579 | 4 | PICOBIN_BLOCK_MARKER_END |

The *LE Value* column indicates a 32-bit little-endian value that should appear verbatim in your program image.

Since the above block does not specify an explicit entry point, the bootrom will assume the binary starts with a Cortex-M vector table, and enter via the reset handler and initial stack pointer specified in that table (offsets +4 and +0 bytes into the table). An explicit vector table pointer can be provided by a `PICOBIN_BLOCK_ITEM_1BS_VECTOR_TABLE` item, or the entry point can be specified directly by a `PICOBIN_BLOCK_ITEM_1BS_ENTRY_POINT` item.

5.9.5.2. Minimum RISC-V IMAGE_DEF

The minimum valid `IMAGE_DEF` is the following 20-byte sequence:

| Word | LE Value | Bytes | Description |
|------|------------|-------|---|
| 0 | 0xffffded3 | 4 | PICOBIN_BLOCK_MARKER_START |
| 1 | 0x11010142 | 1 | 0x42(<i>item_type</i> == PICOBIN_BLOCK_ITEM_1BS_IMAGE_TYPE) |
| | | 1 | 0x01 (Item is 1 word in size) |
| | | 2 | 0x1101 (PICOBIN_IMAGE_TYPE_IMAGE_TYPE_AS_BITS(EXE) PICOBIN_IMAGE_TYPE_EXE_CPU_AS_BITS(RISCV) PICOBIN_IMAGE_TYPE_EXE_CHIP_AS_BITS(RP23500)) |
| 2 | 0x00001ff | 1 | 0xff(<i>size_type</i> == 1, <i>item_type_</i> == PICOBIN_BLOCK_ITEM_2BS_LAST) |
| | | 2 | 0x0001 (<i>size</i>) |
| | | 1 | 0x00 (<i>pad</i>) |
| 3 | 0x00000000 | 4 | Relative pointer to next block in block loop - 0x00000000 means link to self (a loop containing just this block) |
| 4 | 0xab123579 | 4 | PICOBIN_BLOCK_MARKER_END |

The *LE Value* column indicates a 32-bit little-endian value that should appear verbatim in your program image.

Since the above block does not specify an explicit entry point, the bootrom will enter the binary at its lowest address, which is the default behaviour on RISC-V. This default entry point can be overridden by a PICOBIN_BLOCK_ITEM_1BS_ENTRY_POINT item. Note that PICOBIN_BLOCK_ITEM_1BS_VECTOR_TABLE is not valid on RISC-V, as unlike Cortex-M the RISC-V vector table does not define the program entry point.

5.10. Example boot scenarios

This section describes the setup and configuration steps for various different boot scenarios.

5.10.1. Secure boot

To enable secure boot on RP2350, you must:

1. Set the SHA-256 hashes of the boot keys you will be using in `BOOTKEY0_0` onwards
2. Set bits in `BOOT_FLAGS1.KEY_VALID` for the keys you will be using
3. Optionally set bits in `BOOT_FLAGS1.KEY_INVALID` for all unused keys – this is recommended to prevent a malicious actor installing their own boot keys at a later date
4. Set `CRIT1.SECURE_BOOT_ENABLE` to turn on secure boot.

i NOTE

These steps are the minimum for enabling secure boot support *in the bootrom*. See [Section 10.5](#) for additional steps you must take to fully secure your device, such as disabling hardware debug.

All of the above can be achieved with `picotool`. For example, when signing using `picotool seal` you can add an OTP JSON output file, to which it will add the relevant OTP field values to enable secure boot (`BOOTKEY0_0`, `BOOT_FLAGS1.KEY_VALID` and `CRIT1.SECURE_BOOT_ENABLE`):

```
$ picotool seal --sign unsigned.elf signed.elf private.pem /path/to/otp.json
```

To configure the SDK to output this OTP JSON file when signing, add the following command to your `CMakeLists.txt`:

```
pico_set_otp_key_output_file(target_name /path/to/otp.json)
```

You can then issue the following command to write this OTP JSON file to the device, thus enabling secure boot:

```
$ picotool otp load /path/to/otp.json
```

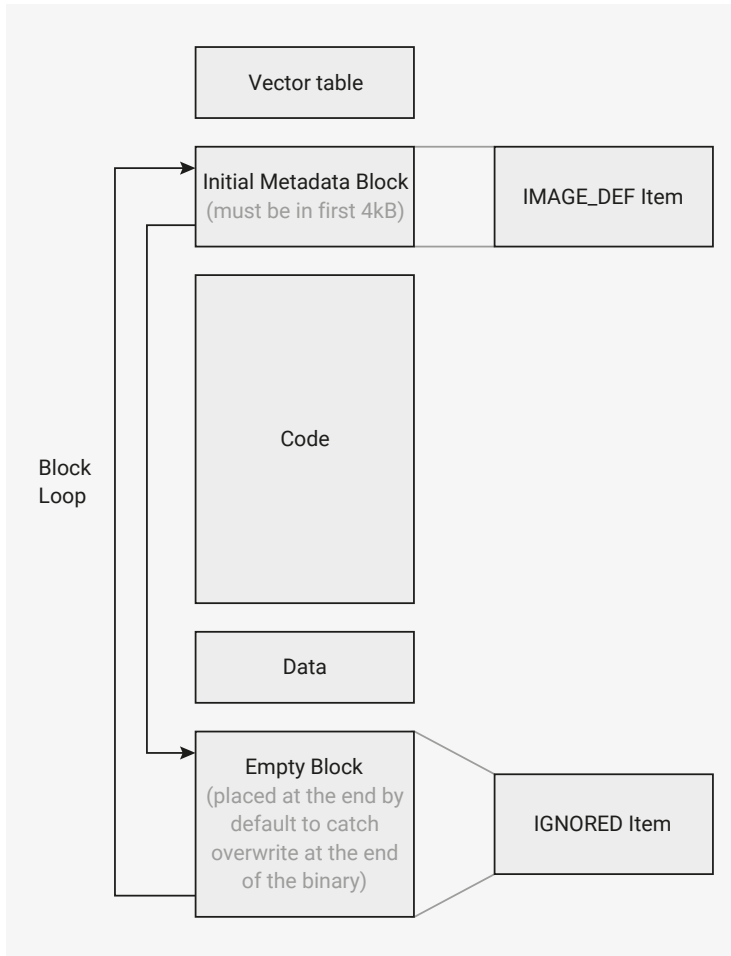
Once secure boot is enabled, the bootrom verifies signatures of images from all supported media: flash, OTP, and images preloaded into SRAM via the UART and USB bootloaders. At this point you lose the ability to run unsigned images; during development you may find it more convenient to leave secure boot disabled. The next section describes the generation of **signed images** to run on a secure-boot-enabled device.

5.10.2. Signed images

TIP

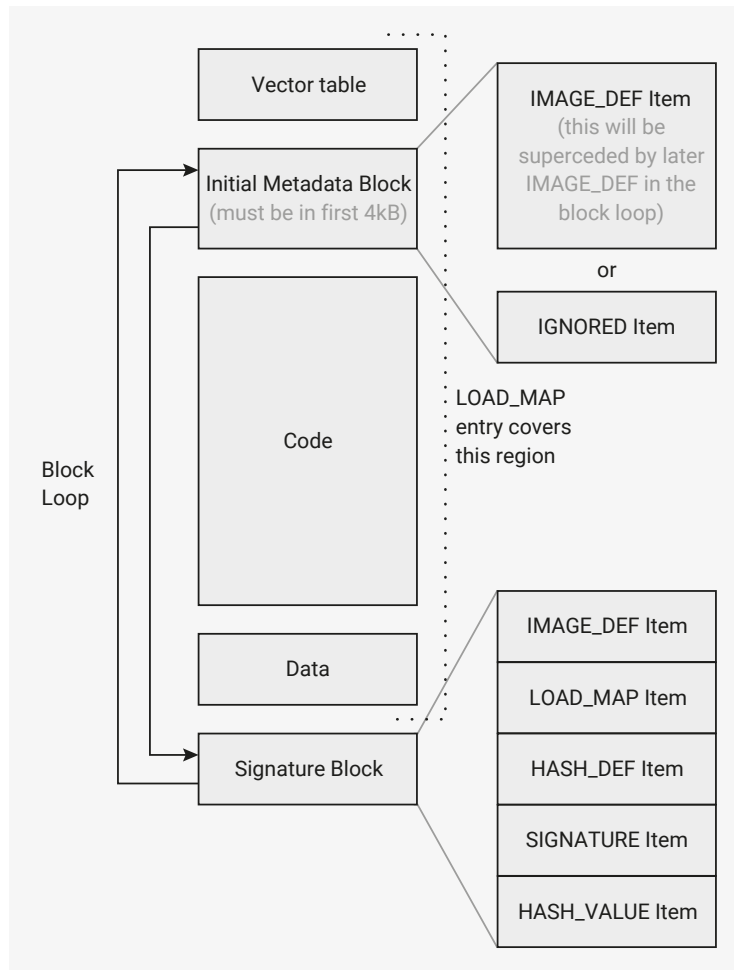
This section refers to the concepts of [block loops](#) and [image definitions](#) (and the associated `IMAGE_DEF` data structure) described in [Section 5.1](#). You should read the bootrom concepts section before this one.

An example of an image (and its block loop) produced by the SDK is shown below.



The first block must be within the first 4 kB of the image, and is an `IMAGE_DEF` block describing the image. This block is linking to an empty block at the end of the image, that is included in the block loop to help detect partially written binaries. If the end of the image is missing or overwritten, then the block loop not be properly closed and will be considered invalid.

`picotool` can be used to sign a binary, in which case it modifies the image as follows:



Note that the marker block at the end of the image has been replaced with a new **IMAGE_DEF** block including the first block's information along with additional new information. The new information includes the signature (or hash value if hashing only), along with a **LOAD_MAP** entry indicating the regions of the image that are signed or hashed.

At runtime, the bootrom will pick the last valid **IMAGE_DEF** in the block loop as the one to boot.

Signing requires a SHA-256 hash of the data specified in the **LOAD_MAP**, along with the words of the block specified by the **HASH_VALUE** Item (which must include the first word of the **SIGNATURE** Item). This hash is then signed with an ECDSA secp256k1 private key, to produce the 64 byte signature stored in the **SIGNATURE** Item.

For secure boot, it is recommended to use packaged SRAM binaries instead of flash binaries, as the signature check is only performed during boot, so a malicious actor with physical access could replace the data on the external flash after the signature check to run unsigned code.

To sign and/or hash a binary in the SDK, you can add the following functions to your CMakeLists.txt file:

```
pico_sign_binary(target_name /path/to/keyfile.pem)
pico_hash_binary(target_name)
```

This will invoke the `picotool seal` command to sign and/or hash your binary when you call `pico_add_extra_outputs`. You can manually invoke `picotool seal` to sign and/or hash a binary using:

```
$ picotool seal --sign --hash unsigned.elf signed.elf private.pem
```

5.10.3. Packaged binaries

A packaged binary is an SRAM/XIP RAM-only binary that has been post-processed for storage in flash. To create a packaged SRAM binary, you can take a binary compiled to run in SRAM (`no_flash` binary in the SDK) and add a relative `LOAD_MAP` Item into the `IMAGE_DEF` block, with the runtime address(es) in SRAM. The subsequent binary can then be run normally from RAM, or stored in flash to be loaded into RAM by the bootrom. This `LOAD_MAP` item will be added to all binaries when using `picotool seal`.

To package binaries in the SDK, add the following to your `CMakeLists.txt` file. This will target the UF2 file to the start of flash when dragged and dropped, and will invoke `picotool seal` to add an appropriate `LOAD_MAP`.

```
pico_package_uf2_output(target_name 0x10000000)
```

Alternatively, you can use an absolute `LOAD_MAP`, with the `storage_address` in flash and the `runtime_address` in SRAM. However, these binaries can only run after storing in flash and can't be booted directly in SRAM for debugging.

For example, if you have a binary compiled to run at `0x20000000` of length `0x8000`, and a metadata block at the end of the binary containing the `LOAD_MAP` as the second Item (after the `IMAGE_DEF`, which means the `LOAD_MAP` is 8 bytes into the block), then the relative `LOAD_MAP` would be:

| Word | Bytes | Value |
|------|------------------|--|
| 0 | 1 | 0x06 (<i>size_flag == 0, item_type == PICOBIN_BLOCK_ITEM_LOAD_MAP</i>) |
| | 2 | 0x04 (Block size in words) |
| | 1 | 0x01 (<i>absolute == 0, num_entries == 1</i>) |
| 1-3 | Load Map Entry 0 | |
| | 4 | -0x8008 = 0xFFFF7FF8 (<i>storage_start_address_rel</i>) |
| | 4 | 0x20000000 (<i>runtime_start_address</i>) |
| | 4 | 0x8000 (<i>size in bytes</i>) |

The absolute `LOAD_MAP` would be:

| Word | Bytes | Value |
|------|------------------|--|
| 0 | 1 | 0x06 (<i>size_flag == 0, item_type == PICOBIN_BLOCK_ITEM_LOAD_MAP</i>) |
| | 2 | 0x04 (Block size in words) |
| | 1 | 0x81 (<i>absolute == 1, num_entries == 1</i>) |
| 1-3 | Load Map Entry 0 | |
| | 4 | 0x10000000 (<i>storage_start_address</i>) |
| | 4 | 0x20000000 (<i>runtime_start_address</i>) |
| | 4 | 0x20008000 (<i>runtime_end_address</i>) |

5.10.4. A/B booting

This is a common boot scenario, to be able to update the software without overwriting it. A simple partition layout would be:

```

Partition 0
  Accepts UF2 Families: rp2350-arm-s, rp2350-riscv
Partition 1
  Accepts UF2 Families: rp2350-arm-s, rp2350-riscv
  Link Type: "A"
  Link Value: 0

```

This is a partition table with 2 partitions, where partition 0 is the A partition of partition 1 (which is thus the B partition).

i NOTE

To avoid confusion, it is a recommended best practice to have the same permissions for both partitions, and for both partitions to accept the same UF2 families. The bootrom will only look at the UF2 families from the A partition when deciding if a given A/B pair accepts a particular family, and will not allow download to partition A even if it is writable if partition B isn't.

When dragging a UF2 to the device, it will target whichever partition is not currently booting. The bootrom will then perform a `FLASH_UPDATE` boot into the new binary (see [Section 5.1.16](#))

i NOTE

When starting with blank A/B partitions, the first download actually goes into partition B.

To create the partition table above with `picotool partition create`, the following json could be used:

```

{
  "version": [1, 0],
  "unpartitioned": {
    "families": ["absolute"],
    "permissions": {
      "secure": "rw",
      "nonsecure": "rw",
      "bootloader": "rw"
    }
  },
  "partitions": [
    {
      "name": "Example A",
      "id": 0,
      "size": "2044K",
      "families": ["rp2350-arm-s", "rp2350-riscv"],
      "permissions": {
        "secure": "rw",
        "nonsecure": "rw",
        "bootloader": "rw"
      }
    },
    {
      "name": "Example B",
      "id": 1,
      "size": "2044K",
      "families": ["rp2350-arm-s", "rp2350-riscv"],
      "permissions": {
        "secure": "rw",
        "nonsecure": "rw",
        "bootloader": "rw"
      }
    }
  ],
  "link": ["a", 0]
}

```

```

    }
  ]
}
```

This can then be installed onto the device using `picotool load`, or UF2 drag and drop if you output the partition table as a UF2 file.

5.10.5. A/B booting with owned partitions

The concept of [owned partitions](#) applies when:

- you require separate data partitions (which generally won't contain a [block loop](#)), but
- you would like these to be associated with a specific boot partition in an A/B pair

An example partition table for this scenario would be:

```

Partition 0
  Accepts Families: rp2350-arm-s, rp2350-riscv
Partition 1
  Accepts Families: rp2350-arm-s, rp2350-riscv
  Link Type: "A"
  Link Value: 0
Partition 2
  Accepts Families: data
  Link Type: "Owner"
  Link Value: 0
  ignored_during_arm_boot: true
  ignored_during_riscv_boot: true
Partition 3
  Accepts Families: data
  Link Type: "A"
  Link Value: 2
  ignored_during_arm_boot: true
  ignored_during_riscv_boot: true
```

This is a partition table with 4 partitions. As before, partition 0 is the A partition of partition 1 (which is thus a B partition). Additionally, partition 2 is the A partition of partition 3 (which is thus a B partition). Finally, partition 0 is the "owner" partition of partition 2.

As a result partitions 2 and 3 "belong to" partitions 0 and 1.

When downloading a UF2 into an owned partition, the bootloader will select which partition out of 2/3 it goes to target based on which partition out of 0/1 is currently booting. For example, if partition 1 is currently booting (due to having a higher version than partition 0), then any UF2 downloads with the data family ID will target partition 3.

TIP

There is a flag in each partition that you can use to swap the "affinity", for example, to have the data family ID target partition 2 instead of partition 3 in the scenario above.

NOTE

Only the `get_uf2_target_partition()` bootrom function considers owner partitions. The `pick_ab_partition()` function always pick solely based on the A/B partition it is passed, in other words if passed partition 2, it would not look at partitions 0 and 1.

To create this partition table using `picotool partition create`, the following JSON could be used:

```
{
  "version": [1, 0],
  "unpartitioned": {
    "families": ["absolute"],
    "permissions": {
      "secure": "rw",
      "nonsecure": "rw",
      "bootloader": "rw"
    }
  },
  "partitions": [
    {
      "name": "Example A",
      "id": 0,
      "size": 128k,
      "families": ["rp2350-arm-s", "rp2350-riscv"],
      "permissions": {
        "secure": "rw",
        "nonsecure": "rw",
        "bootloader": "rw"
      }
    },
    {
      "name": "Example B",
      "id": 1,
      "size": 128k,
      "families": ["rp2350-arm-s", "rp2350-riscv"],
      "permissions": {
        "secure": "rw",
        "nonsecure": "rw",
        "bootloader": "rw"
      }
    },
    {
      "link": ["a", 0]
    },
    {
      "name": "Example a",
      "id": 2,
      "size": 20k,
      "families": ["data"],
      "permissions": {
        "secure": "rw",
        "nonsecure": "rw",
        "bootloader": "rw"
      }
    },
    {
      "link": ["owner", 0],
      "ignored_during_arm_boot": true,
      "ignored_during_riscv_boot": true
    },
    {
      "name": "Example b",
      "id": 3,
      "size": 20k,
      "families": ["data"],
```

```

    "permissions": {
      "secure": "rw",
      "nonsecure": "rw",
      "bootloader": "rw"
    },
    "link": ["a", 2],
    "ignored_during_arm_boot": true,
    "ignored_during_riscv_boot": true
  }
]
}

```

This can then be installed onto the device using `picotool load`, or UF2 drag and drop if you output the partition table as a UF2 file.

5.10.6. Custom bootloader

In this scenario, a bootloader is run before booting into an image. This could perform additional validation, or set up peripherals for use by the image. For this to work, the block loop must contain both an `IMAGE_DEF` for the bootloader and a `PARTITION_TABLE` to define the flash layout.

In this example, we want to have A / B versions of the bootloader, so we use both slot 0 and slot 1. See [Section 5.1.15](#) for more details of this, as you may well need to increase the size of slot 0 in order to fit the bootloader.

⚠ WARNING

Making a slot size change is not reversible, so feel free to leave out slot 1 if you try this in practice.

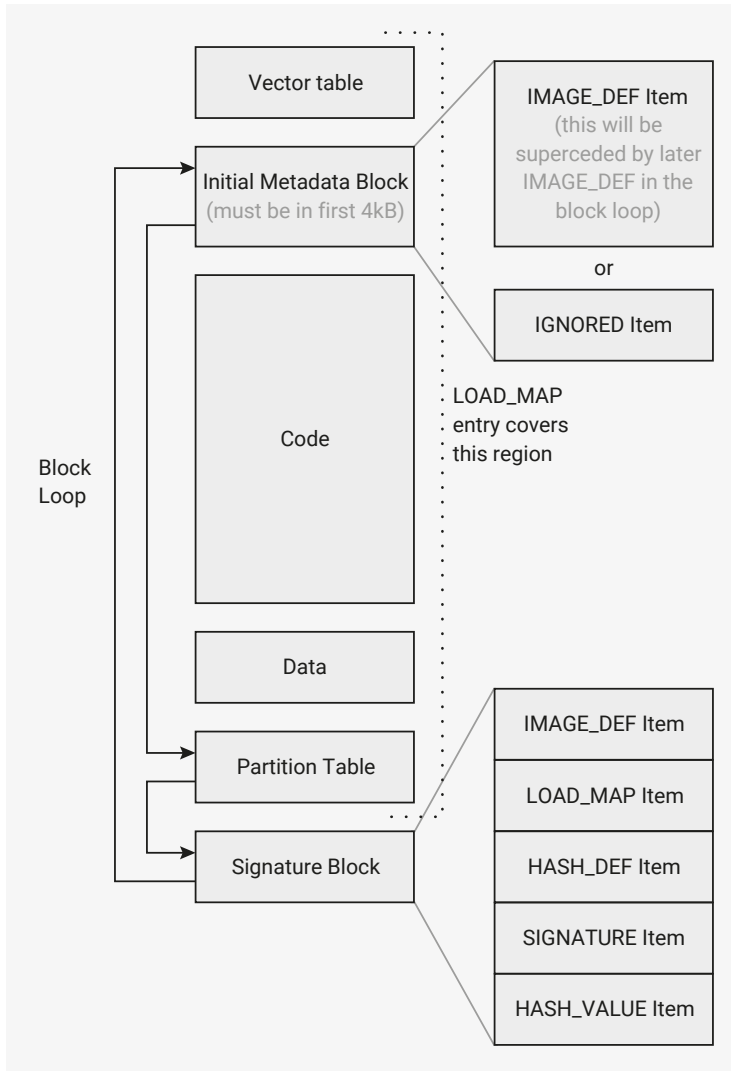
An example flash layout might resemble the following:

```

Slot 0 (0x00000000-0x00008000)
  Bootloader Image 0
  Partition Table 0
Slot 1 (0x00008000-0x00010000)
  Bootloader Image 1
  Partition Table 1
Partition 0 (0x00010000-0x00020000)
  Binary A
Partition 1 (0x00020000-0x00030000)
  Link Type: "A"
  Link Value: 0
  Binary B

```

The block loop with both `IMAGE_DEF` and `PARTITION_TABLE` might look like this (after signing in this case):



Note the 3 blocks in the block loop:

1. Original block in first 4 kB (contents doesn't matter, as it will be superseded by the later **IMAGE_DEF**)
2. **PARTITION_TABLE** at end of binary
3. Signed **IMAGE_DEF**

i NOTE

It is possible to sign both the **PARTITION_TABLE** and the **IMAGE_DEF** separately, however for the fastest boot speed, the bootrom also allows you to use a "covering" **LOAD_MAP** in the **IMAGE_DEF**. As long as the **LOAD_MAP** defined area to be hashed/signed includes the entirety of the **PARTITION_TABLE** block, the "covering" signature is used to validate the **PARTITION_TABLE** too.

For the bootloader to find and launch a new image, it may wish to utilise various bootrom methods:

- `get_partition_table_info()` to get the full partition information.
- or `get_partition_table_info()` with **SINGLE_PARTITION**, the chosen partition number, and **PARTITION_LOCATION_AND_FLAGS**, to get the address of a single partition

```

uint32_t partition_info[3];
get_partition_table_info(partition_info, 3, PT_INFO_PARTITION_LOCATION_AND_FLAGS
    | PT_INFO_SINGLE_PARTITION | (boot_partition << 24));
uint16_t first_sector_number = (partition_info[1]
    & PICOBIN_PARTITION_LOCATION_FIRST_SECTOR_BITS)
    >> PICOBIN_PARTITION_LOCATION_FIRST_SECTOR_LSB;
uint16_t last_sector_number = (partition_info[1]
    & PICOBIN_PARTITION_LOCATION_LAST_SECTOR_BITS)
    >> PICOBIN_PARTITION_LOCATION_LAST_SECTOR_LSB;
uint32_t data_start_addr = first_sector_number * 0x1000;
uint32_t data_end_addr = (last_sector_number + 1) * 0x1000;
uint32_t data_size = data_end_addr - data_start_addr;

```

- `get_sys_info()` with `BOOT_INFO`, to get the `flash_update_boot_window_base` if any:

```

uint32_t sys_info[5];
get_sys_info(sys_info, 5*4, SYS_INFO_BOOT_INFO);
uint32_t flash_update_boot_window_base = sys_info[3];

```

- `pick_ab_partition()` to pick the boot partition between A/B partitions if desired:

```

uint8_t boot_partition = pick_ab_partition(workarea, 0xC00, 0,
    flash_update_boot_window_base);

```

- or `get_b_partition()` to find the other partition directly.
- `chain_image()` with `data_start_addr` and `data_size`, to boot a chosen image:

```

// note a negative 3rd parameter indicates to chain_image that the image is being chained as
// part of a "flash update" boot, so TBYP and/or version downgrade may be in play
chain_image( workarea,
    0xC00,
    (XIP_BASE + data_start_addr) * (info.boot_type == BOOT_TYPE_FLASH_UPDATE ? -1 :
1),
    data_size
);

```

NOTE

The `workarea` used must not overlap the image being chained into, so beware SRAM or packaged binaries. If the binary overlaps the `workarea`, the results are undefined, but hardly likely to be good.

5.10.7. OTP bootloader

This is similar to the custom bootloader scenario, but it will be stored in the OTP and will run in SRAM.

One possible use case could place decryption code into OTP which decrypts an executable image from a flash partition into RAM.

The entire bootloader will need to fit in the OTP rows from `0x0C0` to `0xF48` to avoid interfering with other reserved OTP functionality, giving a maximum size of 7440 bytes (2 bytes per ECC row). If some boot keys and OTP keys are unused, this region can extend slightly on either end.

The OTP bootloader itself should be stored in ECC format, starting from the row set in [OTPBOOT_SRC](#) with size set in [OTPBOOT_LEN](#). When booting, it will be loaded into the address specified in [OTPBOOT_DST0](#) and [OTPBOOT_DST1](#), which must be in the main SRAM. The bootloader must fulfil the same criteria as a standard image: it must include an [IMAGE_DEF](#), which must be signed if secure boot is enabled.

Once the OTP bootloader has been written to OTP, and the [OTPBOOT_SRC](#), [OTPBOOT_LEN](#), [OTPBOOT_DST0](#) and [OTPBOOT_DST1](#) set, OTP booting can be enabled by setting [BOOT_FLAGS0.ENABLE_OTP_BOOT](#). If the OTP image fails the bootrom's launch checks, then, by default, boot continues along the normal flash boot path. You can prevent this by setting [BOOT_FLAGS0.DISABLE_FLASH_BOOT](#).

⊖ WARNING

Take extreme care when writing an OTP bootloader. Once the ECC rows are written, they *cannot* be modified.

5.10.8. Rollback versions and bootloaders

⊖ WARNING

Ignoring the advice in this section could render your device unable to boot.

For bootloaders that need to chain into executable images with rollback versions on a secured RP2350, you *must* use separate OTP rows for:

- The bootloader rollback version
- The chained executable image's rollback version

Otherwise, bumping the version of the chained executable image renders the OTP bootloader and your device unable to boot.

You must also make sure that *both* the bootloader and the executable image have non-zero rollback versions, as the OTP flags relating to requiring rollback versions are global. Failure to do so will render your device unable to boot.

We recommend using the [DEFAULT_BOOT_VERSION0](#) and [DEFAULT_BOOT_VERSION1](#) rows for the binary's rollback version, and selecting some other unused rows in the OTP for the bootloader's rollback version.

Chapter 6. Power

6.1. Power supplies

RP2350 requires five separate power supplies. However, in most applications, several of these can be combined and connected to a single power source. Typical applications only require a single 3.3 V supply. See [Figure 19](#).

The power supplies and a number of potential power supply schemes are described in the following sections. Detailed power supply parameters are provided in [Section 14.9.5](#).

6.1.1. Digital IO supply (IOVDD)

IOVDD provides the IO supply for the chip's GPIO, and should be powered at a nominal voltage between 1.8 V and 3.3 V. The supply voltage sets the external signal level for the digital IO, and should be chosen based on the level required, see [Section 14.9](#) for details. All GPIOs share the same power supply and operate at the same signal level.

If the digital IO is powered at a nominal 1.8 V, the IO input thresholds should be adjusted by setting the **VOLTAGE_SELECT** register to 1. **VOLTAGE_SELECT** is set to 0 by default, which results in input thresholds that are valid for a nominal IO voltage between 2.5 V and 3.3 V. See [Chapter 9](#) for details.

⚠ CAUTION

Powering the IOVDD at 1.8 V with input thresholds set for a 2.5 V to 3.3 V supply is a safe operating mode, but will result in input thresholds that do not meet specification. Powering the IO at voltages greater than 1.8 V with input thresholds set for a 1.8 V supply may result in damage to the chip.

6.1.2. QSPI IO supply (QSPI_IOVDD)

QSPI_IOVDD provides the IO supply for the chip's QSPI interface, and should be powered at a nominal voltage between 1.8 V and 3.3 V. The supply voltage sets the external signal level for the QSPI interface, and should be chosen based on the level required, see [Section 14.9](#) for details. In most applications the QSPI interface will be connected to an external flash device, which will determine the required signal level.

If the QSPI interface is powered at a nominal 1.8 V, the IO input thresholds should be adjusted by setting the **VOLTAGE_SELECT** register to 1. **VOLTAGE_SELECT** is set to 0 by default, which results in input thresholds that are valid for a nominal IO voltage between 2.5 V and 3.3 V. See [Chapter 9](#) for details.

⚠ CAUTION

Powering the IOVDD at 1.8 V with input thresholds set for a 2.5 V to 3.3 V supply is a safe operating mode, but will result in input thresholds that do not meet specification. Powering the IO at voltages greater than 1.8 V with input thresholds set for a 1.8 V supply may result in damage to the chip.

6.1.3. Digital core supply (DVDD)

The chip's core digital logic is powered by **DVDD**, which should be at a nominal 1.1 V. A dedicated on-chip core voltage regulator allows **DVDD** to be generated from a 2.7 V to 5.5 V input supply. See [Section 6.3](#) for details. Alternatively, **DVDD** can be supplied directly from an off-chip power source.

If the on-chip core voltage regulator is used, the two **DVDD** pins closest to the regulator should be decoupled with a 100nF capacitor close to the pins. The **DVDD** pin furthest from the regulator should be decoupled with a 4.7µF capacitor close to

the pin.

6.1.4. USB PHY and OTP supply (USB_OTP_VDD)

USB_OTP_VDD supplies the chip's USB PHY and OTP memory, and should be powered at a nominal 3.3 V. To reduce the number of external power supplies, USB_OTP_VDD can use the same power source as the core voltage regulator analogue supply (VREG_AVDD), or digital IO supply (IOVDD), assuming IOVDD is also powered at 3.3 V. This supply must always be provided, even in applications where the USB PHY is never used.

USB_OTP_VDD should be decoupled with a 100nF capacitor close to the chip's USB_OTP_VDD pin.

6.1.5. ADC supply (ADC_AVDD)

ADC_AVDD supplies the chip's Analogue to Digital Converter (ADC). It can be powered at a nominal voltage between 1.8 V and 3.3 V, but the performance of the ADC will be compromised at voltages below 2.97 V. To reduce the number of external power supplies, ADC_AVDD can use the same power source as the core voltage regulator analogue supply (VREG_AVDD) or digital IO supply (IOVDD).

i NOTE

It is safe to supply ADC_AVDD at a higher or lower voltage than IOVDD, e.g. to power the ADC at 3.3 V, for optimum performance, while supporting 1.8 V signal levels on the digital IO. But the voltage on the ADC analogue inputs must not exceed IOVDD, e.g. if IOVDD is powered at 1.8 V, the voltage on the ADC inputs should be limited to 1.8 V. Voltages greater than IOVDD will result in leakage currents through the ESD protection diodes. See [Section 14.9](#) for details.

ADC_AVDD should be decoupled with a 100nF capacitor close to the chip's ADC_AVDD pin.

6.1.6. Core voltage regulator input supply (VREG_VIN)

VREG_VIN is the input supply for the on-chip core voltage regulator, and should be in the range 2.7 V to 5.5 V. To reduce the number of external power supplies, VREG_VIN can use the same power source as the voltage regulator analogue supply (VREG_AVDD), or digital IO supply (IOVDD). Though care should be taken to minimise the noise on VREG_AVDD.

A 4.7µF capacitor should be connected between VREG_VIN and ground close to the chip's VREG_VIN pin.

For more details on the on-chip voltage regulator see [Section 6.3](#).

6.1.7. On-chip voltage regulator analogue supply (VREG_AVDD)

VREG_AVDD supplies the on chip voltage regulator's analogue control circuits, and should be powered at a nominal 3.3 V. To reduce the number of external power supplies, VREG_AVDD can use the same power source as the voltage regulator input supply (VREG_VIN), or the digital IO supply (IOVDD). Though care should be taken to minimise the noise on VREG_AVDD. A passive low pass filter may be required, see [Section 6.3.7](#) for details.

i NOTE

VREG_AVDD also powers the chip's power-on reset and brownout detection blocks, so it must be powered even if the on-chip voltage regulator is not used.

6.1.8. Power supply sequencing

With the exception of the two voltage regulator supplies (`VREG_VIN` and `VREG_AVDD`), which should be powered up together, RP2350's power supplies may be powered up or down in any order. However, small transient currents may flow in the ADC supply (`ADC_AVDD`) if it is powered up before, or powered down after, the digital core supply (DVDD). This will not damage the chip, but can be avoided by powering up DVDD before or at the same time as `ADC_AVDD`, and powering down DVDD after or at the same time as `ADC_AVDD`. In the most common power supply scheme, where the chip is powered from a single 3.3 V supply, DVDD will be powered up shortly after `ADC_AVDD` due to the startup time of the on-chip voltage regulator. This is acceptable behaviour.

6.2. Power management

RP2350 retains the power control features of RP2040, but extends them by splitting the chip's digital core into a number of power domains, which can be selectively powered off. This allows significant power saving in applications where the chip is not continuously active. This section describes the core power domains and how they are controlled. The legacy RP2040 power control features still offer useful power savings, and are described in [Section 6.5](#).

Power domains, and transitions between power states, are controlled by a Power manager. The Power manager runs from either an internal low power oscillator `lposc`, or the reference clock `clk_ref`. The device may be configured to power down under software control and can wakeup on a GPIO or timer event. Configuration of the power manager is via the `POWMAN` registers in [Section 6.4](#).

6.2.1. Core power domains

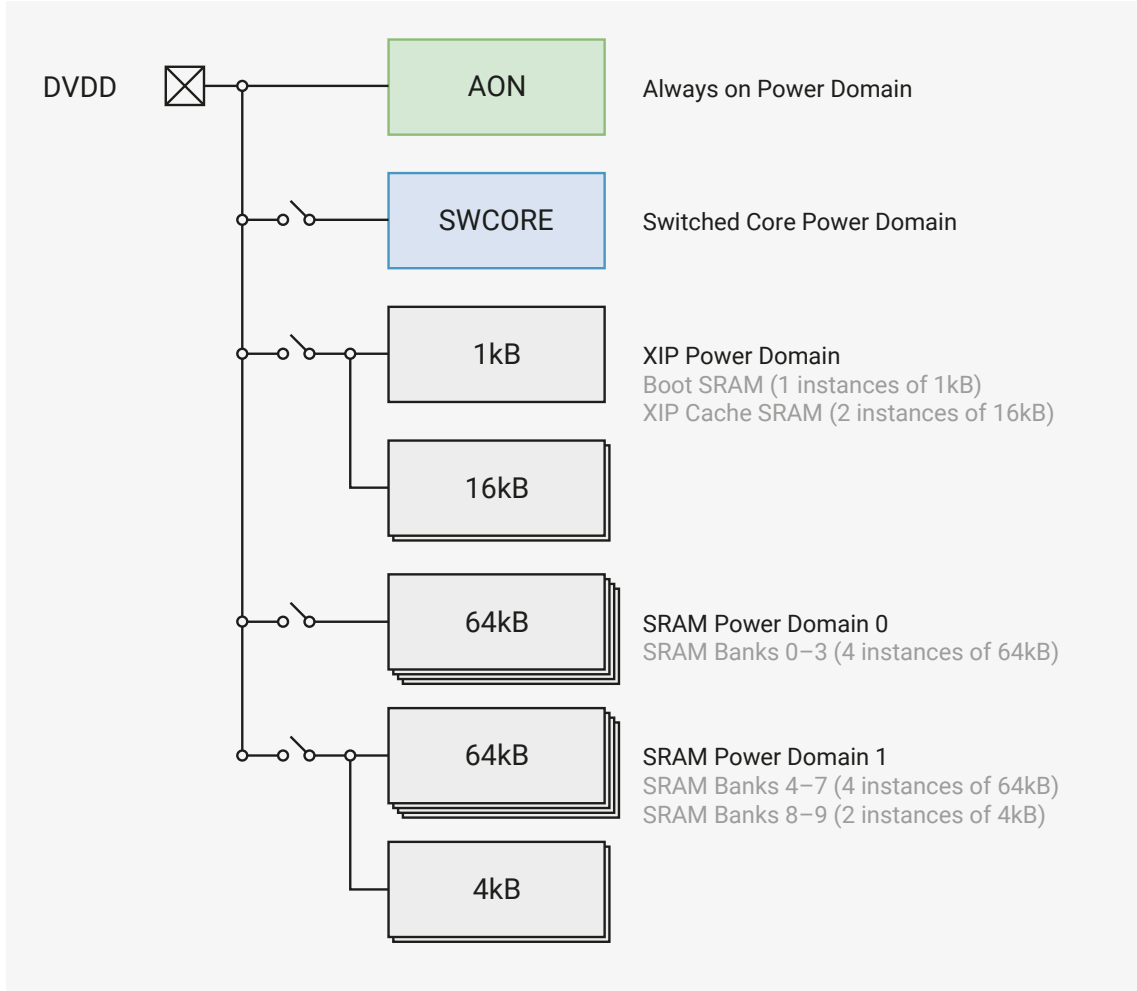
RP2350's core logic is divided into five power domains. With some restrictions, these domains can be selectively powered off to reduce the chip's power consumption. The five domains are:

- **AON** - Always On - a small amount of logic that is always powered on when chip's core supply (`DVDD`) is available
- **SWCORE** - Switched Core - the remaining core logic functions, including processors, bus fabric, peripherals, etc.
- **XIP** - XIP cache SRAM and Boot RAM
- **SRAM0** - SRAM Power Domain 0 - the lower half of the large SRAM banks
- **SRAM1** - SRAM Power Domain 1 - the upper half of the large SRAM banks, and the scratch SRAMs

Logic in the AON domain controls the power state of the other power domains, which can be powered on or off independently. The only exception is the XIP domain, which must always be powered when the SWCORE domain is powered. SRAMs that are powered on retain their contents when the switched core is powered off.

[Figure 18](#) gives an overview of the core power domains.

Figure 18. core power domains



6.2.2. Power states

RP2350 can operate in a number of power states, depending on which domains are powered on or off. Power states have names in the form **Pc.m** where:

- **c** indicates the state of the switched core (SWCORE) domain: **0** = on / **1** = off
- **m** is a 3 bit binary representation of the memory power domains, in the order XIP, SRAM0, SRAM1

P0.m states, where the switched core is powered on, are *Normal Operating* states. **P1.m** states, where the switched core is powered off, are *Low Power* states

Table 475 shows the available power states.

Table 475. supported power states

| Power State | Description | AON | SWCORE | XIP | SRAM0 | SRAM1 |
|-------------|--------------------------------------|-----|--------|-----|-------|-------|
| P0.0 | Normal Operation | on | on | on | on | on |
| P0.1 | Normal Operation (SRAM1 off) | on | on | on | on | off |
| P0.2 | Normal Operation (SRAM0 off) | on | on | on | off | on |
| P0.3 | Normal Operation (SRAM0 & SRAM1 off) | on | on | on | off | off |
| P1.0 | Low Power | on | off | on | on | on |
| P1.1 | Low Power (SRAM1 off) | on | off | on | on | off |
| P1.2 | Low Power (SRAM0 off) | on | off | on | off | on |

| Power State | Description | AON | SWCORE | XIP | SRAM0 | SRAM1 |
|-------------|-------------------------------------|-----|--------|-----|-------|-------|
| P1.3 | Low Power (SRAM0 & SRAM1 off) | on | off | on | off | off |
| P1.4 | Low Power (XIP off) | on | off | off | on | on |
| P1.5 | Low Power (XIP & SRAM1 off) | on | off | off | on | off |
| P1.6 | Low Power (XIP & SRAM0 off) | on | off | off | off | on |
| P1.7 | Low Power (XIP & SRAM0 & SRAM1 off) | on | off | off | off | off |
| OFF | Not Powered | off | off | off | off | off |

In the **OFF** state, the chip has no external power and all domains are unpowered. The chip moves from **OFF** to **P0.0** automatically as soon as external power is applied.

To determine the current power state, read the **STATE.CURRENT** field. **CURRENT** is a 4 bit field representing the power state of the switched core and memory power domains.

6.2.3. Power state transitions

Transitions between power states can be initiated by software, hardware, or via the chip’s debug subsystem. After initiation, transitions are managed by autonomous power sequencers in the chip’s AON power domain. The power sequencers can be configured, in a limited way, via the **SEQ_CFG** register. The sequencers can also be observed and controlled, again in a limited way, via the RP-AP registers in the chip’s debug subsystem. These registers are described in [Section 3.5.10](#).

Valid power state transitions are as follows:

- all transitions from one **P0.m** state (switched core powered on) to another **P0.m** state (switched core powered on), if they increase or decrease the number of SRAM domains that are powered on
- all transitions from a **P0.m** state (switched core powered on) to a **P1.m** state (switched core powered off), except transitions that would result in a powered off SRAM domain becoming powered on
- all transitions from a **P1.m** state (switched core powered off) to a **P0.m** state (switched core powered on), except transitions that would result in a powered on SRAM domain becoming powered off

Transitions from one **P1.m** state (switched core powered off) to another **P1.m** state (switched core powered off) are not supported, and will be prevented by the hardware.

Valid transitions are shown in the table below.

Table 476. valid power state transitions

| From | To | | | | | | | | | | | |
|------|------|------|------|------|------|------|------|------|------|------|------|------|
| | P0.0 | P0.1 | P0.2 | P0.3 | P1.0 | P1.1 | P1.2 | P1.3 | P1.4 | P1.5 | P1.6 | P1.7 |
| P0.0 | | | | | | | | | | | | |
| P0.1 | P0.0 | | | P0.3 | | P1.1 | | P1.3 | | P1.5 | | P1.7 |
| P0.2 | P0.0 | | | P0.3 | | | P1.2 | P1.3 | | | P1.6 | P1.7 |
| P0.3 | P0.0 | P0.1 | P0.2 | | | | | P1.3 | | | | P1.7 |
| P1.0 | P0.0 | | | | | | | | | | | |
| P1.1 | P0.0 | P0.1 | | | | | | | | | | |
| P1.2 | P0.0 | | P0.2 | | | | | | | | | |
| P1.3 | P0.0 | P0.1 | P0.2 | P0.3 | | | | | | | | |
| P1.4 | P0.0 | | | | | | | | | | | |
| P1.5 | P0.0 | P0.1 | | | | | | | | | | |

| From | To | | | | | | | | | | | |
|------|------|------|------|------|--|--|--|--|--|--|--|--|
| P1.6 | P0.0 | | P0.2 | | | | | | | | | |
| P1.7 | P0.0 | P0.1 | P0.2 | P0.3 | | | | | | | | |

6.2.3.1. Transitions from Normal Operating (P0.m) states

Transitions from a Normal Operating (P0.m) state to either a Low Power (P1.m) state, or another Normal Operating (P0.m) state, are initiated by writing to the STATE.REQ field. REQ is a 4-bit field representing the requested power state of the switched core and memory power domains. The STATE.WAITING field will be set immediately, followed by the STATE.CHANGING field, after the actual state change starts. If a transition to a Low Power (P1.m) state is requested, WAITING will remain set until the processors have gone into a low power state (via __wfi()). In the WAITING state, writing to the STATE.REQ field can change or cancel the initial request. The requested state can't be changed when in the CHANGING state.

A request to move to an unsupported state, or a state that would result in an invalid transition, causes the STATE.BAD_SW_REQ field to be set.

If a hardware power up request is received while in the WAITING state, the transition requested via STATE.REQ will be halted and the power up request completed. The STATE.PWRUP_WHILE_WAITING and STATE.REQ_IGNORED fields will be set.

On writing to STATE.REQ:

- If there is a pending power up request, STATE.REQ_IGNORED is set and no further action is taken
- If the requested state is invalid, STATE.BAD_SW_REQ is set and no further action is taken
- If the switched core is being powered off, STATE.WAITING is set until both processors enter __wfi(). After which STATE.CHANGING will be set, but no processors will be powered up to read the flag at this time
 - If there is a power up request while in STATE.WAITING, STATE.PWRUP_WHILE_WAITING is set, which can also raise an interrupt to bring the processors out of __wfi(). No further action is taken
 - You can get out of the WAITING state by writing a new request to STATE.REQ before both processors have gone into __wfi()
- Any state request that isn't powering down the switched core, such as powering up or down SRAM domain 0 or 1 starts immediately. Software should wait until STATE.CHANGING has cleared to know the power down sequence. After the STATE.CHANGING flag is cleared STATE.CURRENT is updated.
- If powering up, software should also wait for STATE.CHANGING to make sure everything is powered up before continuing. In practice this is handled by the RP2350 bootrom.

Invalid state transitions are:

- any combination of power up and power down requests
- any request which would result in power down of XIP/bootRAM and power up of SWCORE

If XIP, boot RAM, sram0, or sram1 remain powered while SWCORE is powered off, the sram will automatically switch to a low power state. Stored data will be retained.

Before transitioning to a switched-core power down state (P1.m), software needs to configure:

- the GPIO wakeup conditions if required
- the wakeup alarm if required
- the return state of the SRAM0 & SRAM1 domains

6.2.3.2. Transitions from Low Power (P1.m) states

Transitions from **P1.m** to **P0.m** states are initiated by GPIO events or the timer alarm.

There are up to 5 wakeup sources:

- up to 4 GPIO wakeups (level high/low or falling edge/rising edge)
- 1 alarm wakeup

GPIO wakeups are configured by the [PWRUP0-PWRUP3](#) registers. The wakeups are not enabled until the power sequencer completes the power down operation.

The alarm wakeup is configured by writing to the [ALARM_TIME_15T00-ALARM_TIME_63T048](#) registers. The alarm wakeup has a resolution of 1ms. Once set, the alarm wakeup is armed by writing a 1 to both [TIMER.PWRUP_ON_ALARM](#) and [TIMER.ALARM_ENAB](#). If the alarm fires during the power down sequence, a power up sequence will start when the power down sequence completes.

The [LAST_SWCORE_PWRUP](#) register indicates which event caused the most recent power up.

6.2.3.3. Debugger-initiated power state transitions

The debugger can be used to trigger a power up sequence via the [CSYSPWRUPREQ](#) output from the [SW-DP CTRL/STAT](#) register. This powers all domains (i.e. returns to state [P0.0](#)) and also inhibits any further software initiated power state transitions.

When [CSYSPWRUPREQ](#) is asserted, the power sequencer will:

- complete any power state transitions that are in progress
- return to power state [P0.0](#)
- assert [CSYSPWRUPACK](#) to signal completion to the debug host

If [CSYSPWRUPREQ](#) is de-asserted then software initiated power transitions will be able to resume. The user can detect when a software requested transition is ignored because of [CSYSPWRUPREQ](#) using the following hints:

- Getting a [STATE.REQ_IGNORED](#) after a write to [STATE.REQ](#)
- [CURRENT_PWRUP_REQ](#) will have bit 5 (coresight) set
- Either:
 - Get the debugger to de-assert [CSYSPWRUPREQ](#) or
 - Mask out [CSYSPWRUPREQ](#) by setting [DBG_PWRCFG.IGNORE](#)

i NOTE

[DBG_PWRCFG.IGNORE](#) is useful to test going to sleep with a debugger attached or ignoring [CSYSPWRUPREQ](#). A debugger will likely leave [CSYSPWRUPREQ](#) set when disconnecting. It would be impossible to go to sleep after this without [DBG_PWRCFG.IGNORE](#).

6.2.3.4. Power-mode-aware GPIO control

The power manager sequencer is able to switch the state of two GPIO outputs on entry to and exit from a **P1.m** state, i.e. one where the switched core is powered down. This allows external devices to be power-aware. The GPIOs switch to indicate the low power state *after* the core is powered down and switch to indicate the high power state *before* the core is powered up. This ensures the high power state of the external components always overlaps the high power state of the core. The GPIOs are configured by the [EXT_CTRL0](#) and [EXT_CTRL1](#) registers.

6.2.3.5. Isolation

When powering down SWCORE, the pad control and data signals are latched and isolated from the IO logic. This avoids transitions on pads which could potentially corrupt external components. On SWCORE power up, the isolation is not released automatically. The user releases the isolation by clearing the ISO field of the pad control register (for example `GPIO0.ISO`) after the IO logic has been configured.

6.3. Core voltage regulator

RP2350 provides an on-chip voltage regulator for its digital core supply (`DVDD`). The regulator requires a 2.7 V to 5.5 V input supply (`VREG_VIN`), allowing DVDD to be generated directly from a single lithium ion cell, or a USB power supply. A separate, nominally 3.3 V, low noise supply (`VREG_AVDD`) is required for the regulator's analogue control circuits. The regulator supports both switching and linear modes of regulation, allowing efficient operation at both high and low loads.

To allow the chip to start up, the regulator is enabled by default, and will power up as soon as its supplies are available. The regulator starts in switching mode, with a nominal 1.1 V output, but its operating mode and output voltage can be changed once the chip is out of reset. The output voltage can be set in the range 0.55 V to 3.30 V, and the regulator can supply up to 200mA.

Although intended for the chip's digital core supply (`DVDD`), the regulator can be used for other purposes if DVDD is powered directly from an external power supply.

6.3.1. Operating modes

The regulator has the following three modes of operation.

6.3.1.1. Normal mode

In normal mode, the regulator operates in a switching mode, and can supply up to 200mA. Normal mode is used for `P0.x` power states, when the chip's switched core is powered on. The regulator must be in normal mode *before* the core supply current is allowed to exceed 1mA. The regulator starts up in normal mode when its input supplies are first applied.

6.3.1.2. Low-power mode

In low-power mode, the regulator operates in a linear mode, and can only supply up to 1mA. Low-power mode can be used for `P1.x` power states, where the chip's switched core is powered off. The core supply current must be less than 1mA *before* the regulator is moved to low-power mode. The regulator's output voltage is limited to 1.3 V in low-power mode.

CAUTION

In low-power mode, the output of the regulator is directly connected to `DVDD`. It isn't possible to disconnect the regulator from `DVDD` in this mode. Don't put the regulator into low-power mode if `DVDD` is being powered from an external supply.

6.3.1.3. High-impedance mode

In high-impedance mode, the regulator is disabled, its power consumption is minimised, and its outputs are set to a high-impedance state. This mode should only be used if the digital core supply (`DVDD`) is provided by an external

regulator. If the on-chip regulator is supplying DVDD, entering high-impedance mode causes a reset event, returning the on-chip regulator to Normal mode.

6.3.2. Software control

⊖ WARNING

The regulator can't be relocked after it's been unlocked. Avoid accidental writes to the VREG register.

The regulator can be directly controlled by software, but must first be unlocked by writing a 1 to the `UNLOCK` field in the `VREG_CTRL` register. Once unlocked, the regulator can be controlled via the `VREG` register.

The regulator's operating mode defaults to Normal, at initial power up or after a reset event, but can be switched to high impedance by writing a 1 to the `VREG` register's `HIZ` field. The regulator's output voltage can be set by writing to the register's `VSEL` field, see the `VREG` register description for details on available settings. To prevent accidental over-voltage, the output voltage is limited to 1.3 V unless the `DISABLE_VOLTAGE_LIMIT` field in the `VREG_CTRL` is set. The output voltage defaults to 1.1 V at initial power-on or after a reset event.

The `UPDATE_IN_PROGRESS` field in the `VREG` register is set while the regulator's operating mode or output voltage are being updated. When `UPDATE_IN_PROGRESS` is set, writes to the register are ignored.

It isn't possible to place the regulator in low-power mode under software control because the load current will exceed 1mA when software is running.

⚠ CAUTION

The regulator's output voltage can be varied between 0.55 V and 3.3 V, but RP2350 might not operate reliably with its digital core supply (`DVDD`) at a voltage other than 1.1 V.

6.3.3. Power Manager control

The regulator's operating mode and output voltage can also be controlled by the Power Manager. Power Manager control is typically used when the chip enters or exits a low-power (`P1.x`) state, when software might not be running.

In addition to normal and high-impedance modes, Power Manager control allows the regulator to be placed in low-power mode. By default, the regulator switches to low-power mode when entering a low-power (`P1.x`) state, and returns to Normal mode when returning to a normal (`P0.x`) state.

The operating mode and output voltage in the low-power state are set by the values in the `VREG_LP_ENTRY` register. And the operating mode and output voltage to be used when the chip has returned to a normal state are set by values in the `VREG_LP_EXIT` register. The registers contain an additional `MODE` field that allows low-power mode to be selected.

The values in the registers must be written by software *before* requesting a transition to a low-power state because software won't be running during or after the transition. The actual transitions to and from the low-power state are handled by the Power Manager. Once the chip has returned to a normal state, software can be run and the regulator controlled directly. The values in the `VREG` register reflect the regulator's current operating mode and output voltage once the chip has returned to a normal state.

⚠ CAUTION

Low-power mode should only be used when the regulator is providing the chip's digital core supply (**DVDD**) because the regulator's low-power output is connected to **DVDD** on chip.

6.3.4. Status

To determine the status of the regulator, read the **VREG_STS** register, which contains two fields:

- **VOUT_OK** indicates whether the voltage regulator's output is being correctly regulated. At power-on, **VOUT_OK** remains low until the regulator has started up and the output voltage reaches the **VOUT_OK** assertion threshold (**VOUT_OK_{TH.ASSERT}**). It then remains high until the voltage drops below the **VOUT_OK** de-assertion threshold (**VOUT_OK_{TH.DEASSERT}**), remaining low until the output voltage is above the assertion threshold again. **VOUT_OK_{TH.ASSERT}** is nominally 90% of the selected output voltage, 0.99 V if the selected output voltage is 1.1 V, and **VOUT_OK_{TH.DEASSERT}** is nominally 87% of the selected output voltage, 0.957 V if the selected output voltage is 1.1 V. See [Section 14.9.6](#) for details.
- **STARTUP** is high when the regulator is starting up, and remains high until the regulator's operating mode or output voltage are changed, either by software or the Power Manager

Adjusting the output voltage to a higher voltage will cause **VOUT_OK** to go low until the assertion threshold for the higher voltage is reached. **VOUT_OK** will also go low if the regulator is placed in high-impedance mode.

6.3.5. Current limit

The voltage regulator includes a current limit to prevent the load current exceeding the maximum rated value. The output voltage won't be regulated and will drop below the selected value when the current limit is active. See [Section 14.9.6](#) for details.

6.3.6. Over temperature protection

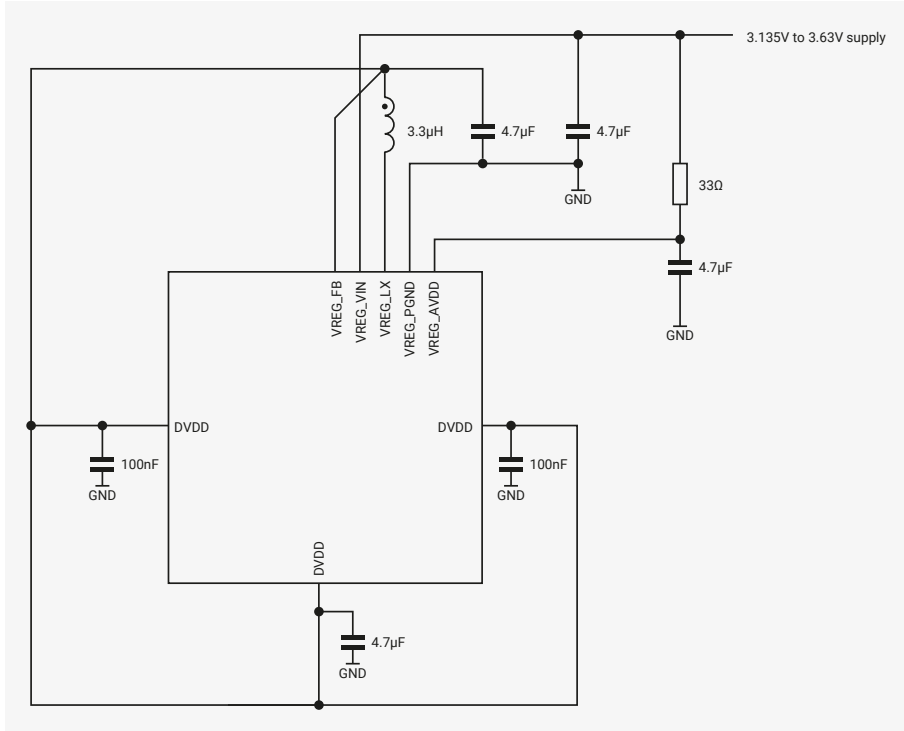
The voltage regulator will terminate regulation and disable its power transistors, if the transistor junction temperature rises above a threshold set by the **HT_TH** field in the **VREG_CTRL** register. The regulator will restart regulation when the transistor junction temperature drops to approximately 20°C below the temperature threshold.

6.3.7. Application circuit

The regulator requires two external power supplies, the input supply (**VREG_VIN**), and a separate low noise supply for its analogue control circuits (**VREG_AVDD**). **VREG_VIN** must be in the range 2.7 V to 5.5 V, and **VREG_AVDD** must be in the range 3.135 V to 3.63 V.

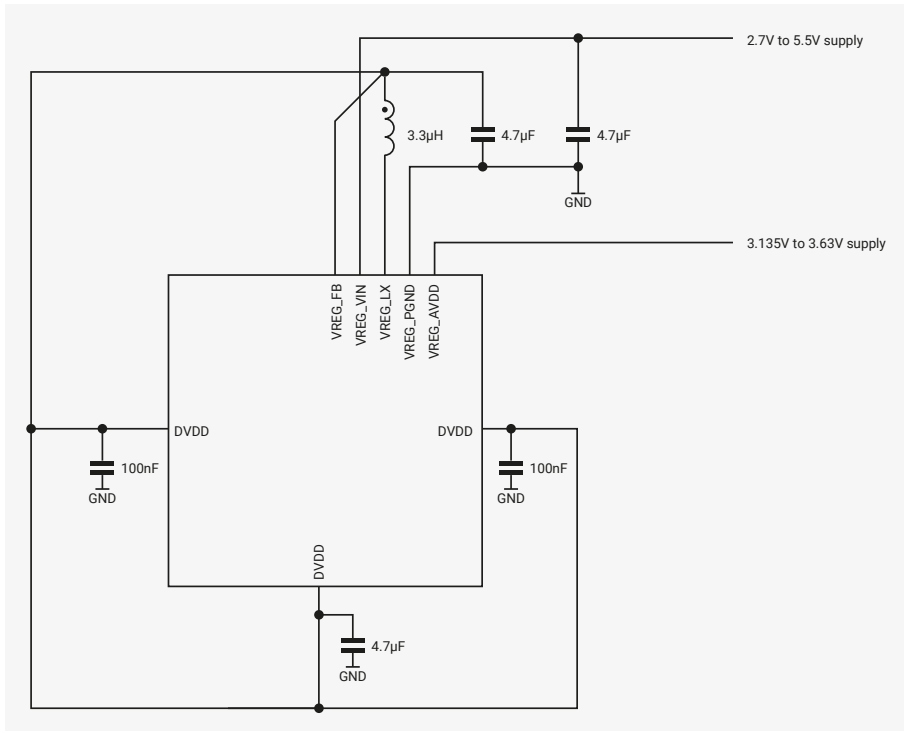
If **VREG_VIN** is limited to the range 3.135 V to 3.63 V, a single combined supply can be used for both **VREG_VIN** and **VREG_AVDD**. This approach is shown in [Figure 19](#). Take care to minimise noise on **VREG_AVDD**.

Figure 19. Core voltage regulator with combined supplies



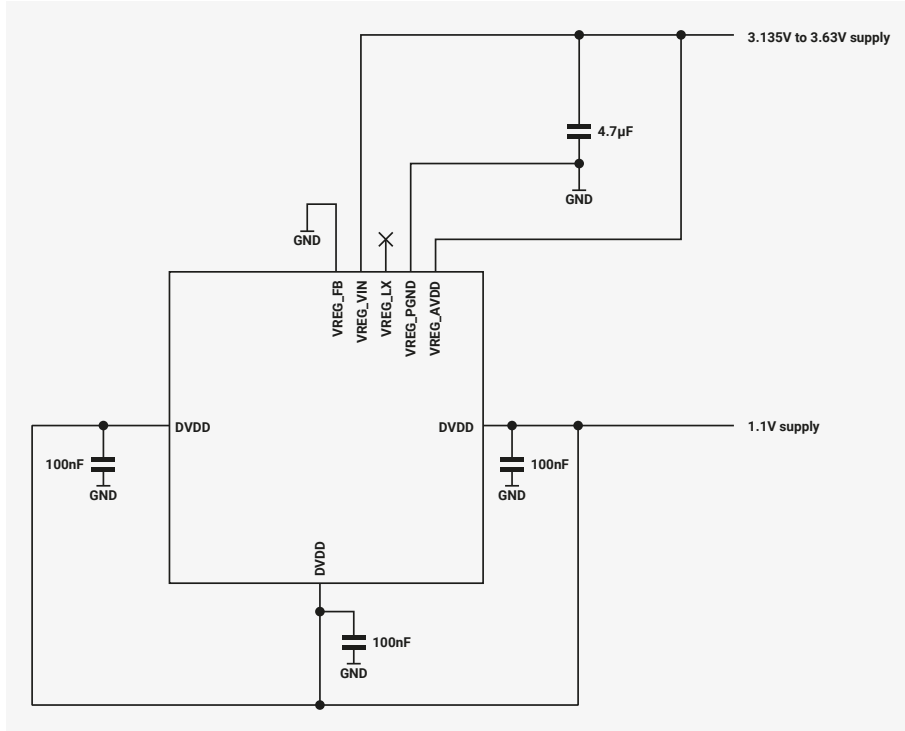
Alternatively, to support input voltages above 3.63 V, **VREG_VIN** and **VREG_AVDD** can be powered separately. This is shown in [Figure 20](#).

Figure 20. Core voltage regulator with separate supplies



If the digital core supply (**DVDD**) is powered from an external 1.1V supply, the on-chip regulator can be disabled and the application circuit simplified. Power must still be provided on the regulator’s analogue supply (**VREG_AVDD**) and input supply (**VREG_VIN**) to power the chip’s power-on reset and brown-out detection blocks. But the inductor can be omitted and only a single input capacitor is required. Connect **VREG_FB** directly to ground. This is shown in [Figure 21](#).

Figure 21. External core supply with on-chip regulator disabled.



The on-chip regulator will still power on as soon as `VREG_VIN` and `VREG_AVDD` are available, but can be shut down under software control after the chip is out of reset. This is a safe mode of operation, though the regulator will consume approximately 400 µA until it's shut down. The regulator should be shut down by writing a 1 to the `VREG` register's HIZ field.

6.3.8. External components and PCB layout requirements

The most critical part of an RP2350 PCB layout is the core voltage regulator. This should be placed first on any board design and these guidelines must be strictly followed.

Figure 22. Regulator section of the Raspberry Pi Pico 2 schematic. The nets highlighted in bold show the high switching current paths

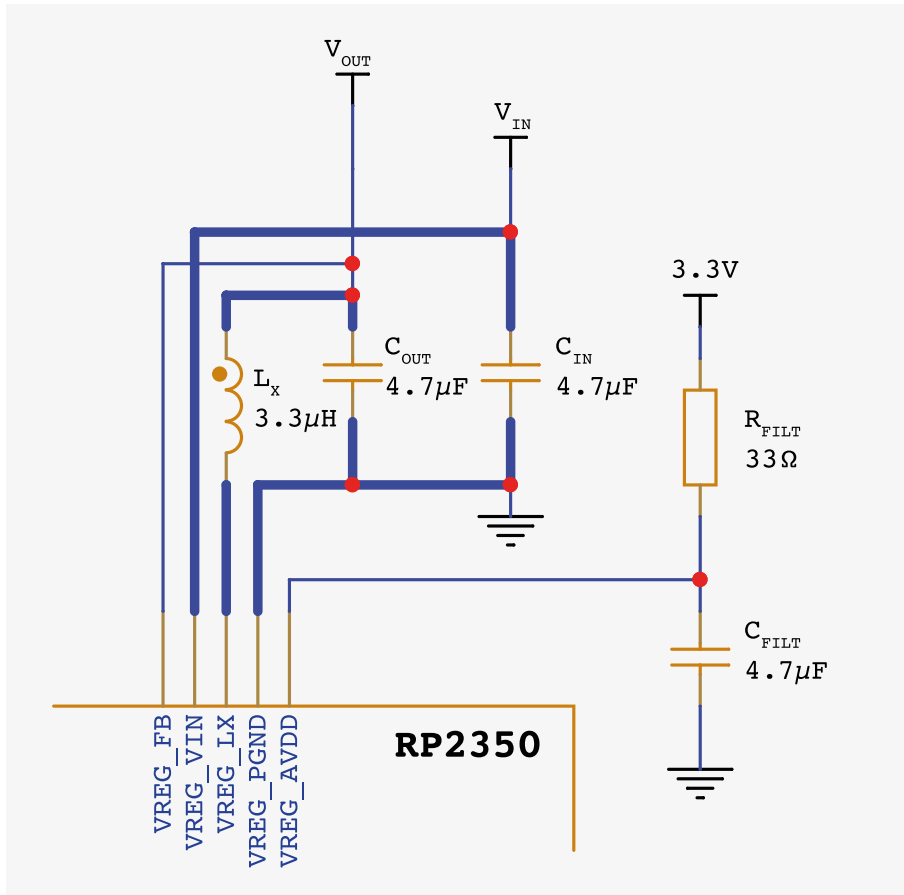
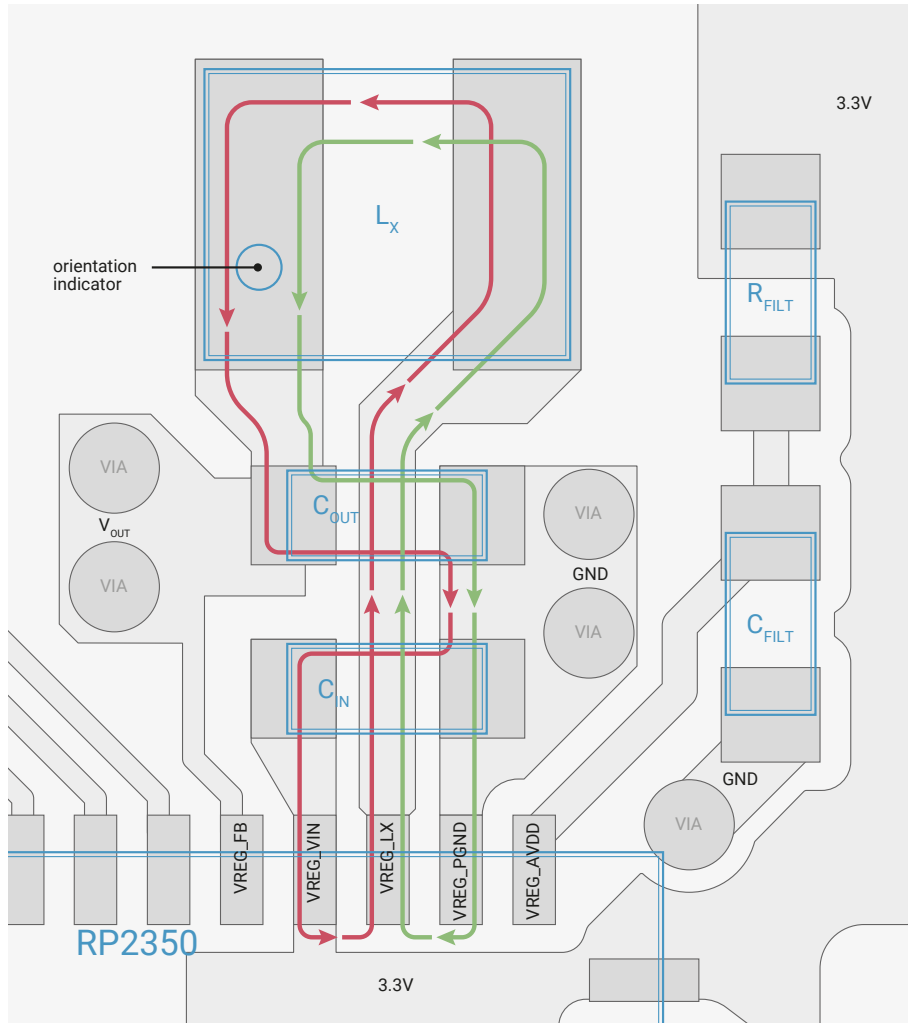


Figure 23. Regulator section of the Raspberry Pi Pico 2 PCB layout showing the high current paths for each of the regulator's switching phases. The AOTA-B201610S3R3-101-T inductor's case size is 0806 (2016 metric), the resistor and capacitors are 0402 (1005 metric)



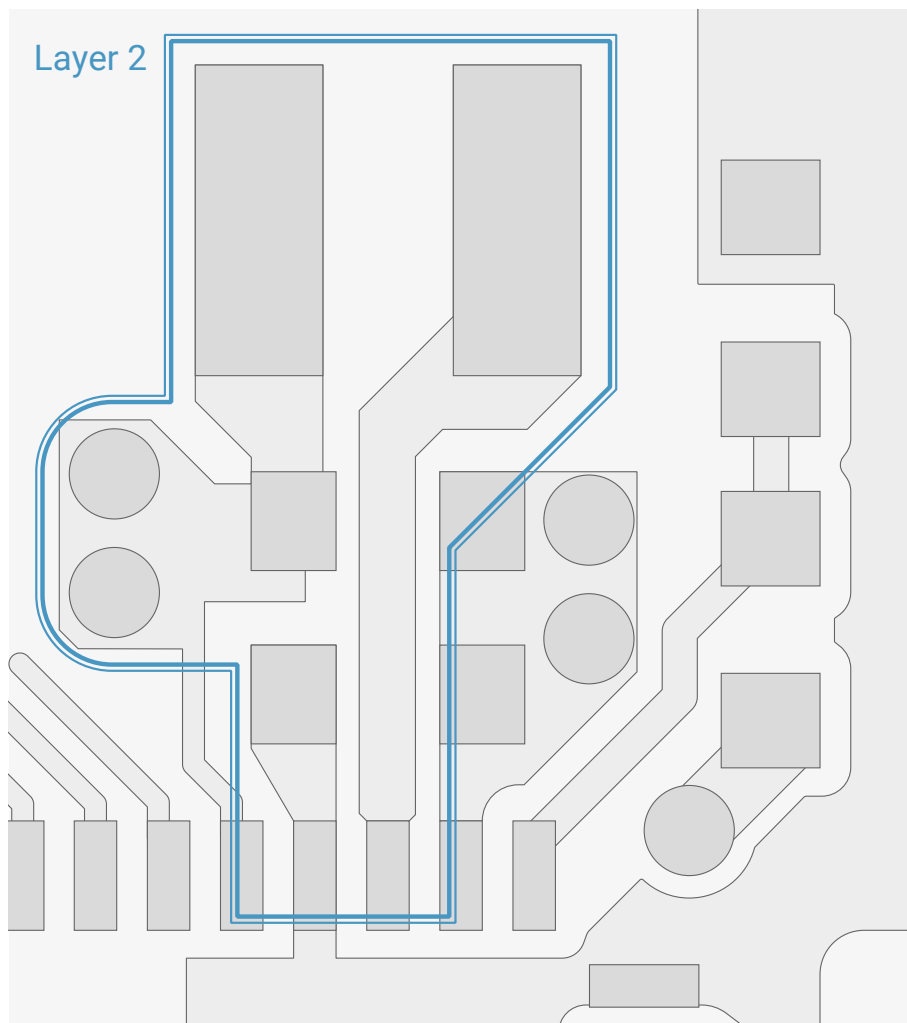
Designers should follow the above schematic Figure 22 and layout Figure 23 as closely as possible as this has had the most verification and is considered our best practice layout. This circuit design is present on the Raspberry Pi Pico 2 and RP2350 reference design (see [Hardware design with RP2350, Minimal Design Example](#)) and both of these designs are made available in either Cadence Allegro or Kicad formats respectively. Figure 23 shows the regulator layout on the top layer of the Raspberry Pi Pico 2 PCB. The bottom layer under the regulator is a ground plane that connects to the QFN GND central pad.

6.3.8.1. Layout recommendations

- **VREG_AVDD** is a noise sensitive signal and must be RC filtered as per Figure 22.
 - Avoid doing anything that might couple noise into **VREG_AVDD**.
 - C_{IN} needs its own separate GND via / low impedance path back to the RP2350 GND pad.
- The red and green arrows in Figure 23 show the high current paths for each of the regulator's switching phases. It is critical keep the loop area of these current paths as small and low-impedance as possible, while also keeping them isolated (i.e. only connect to main GND at one point).
 - Follow this layout as closely as possible.
 - Don't place any of $C_{IN}/L_x/C_{OUT}$ on the opposite side of the PCB.
- Reduce parasitics on the **VREG_LX** node.
- On the top layer make sure to cut away any extra copper underneath the inductor, cut back copper near the **VREG_LX** trace where possible.

- For a multi-layer board (4 or more layers) please cut away any copper immediately underneath $L_X/VREG_LX$ node. For example, [Figure 24](#) illustrates this.
- The GND via placement is critical.
 - There must be a short-as-possible, low impedance GND path back to the Raspberry Pi Pico 2 QFN GND pad from the high-current GND at one single point (using 2 adjacent vias to reduce the impedance).
 - C_{FILT} must also have a low impedance and short-as-possible path back to the QFN GND pad (don't share any GND vias with the C_{IN}/C_{OUT} high current GND).
- The VREG_FB pin should be fed from the output of C_{OUT} , avoiding routing directly underneath L_X .
- C_{OUT} is critical for regulator performance and EMI. It must be placed between $VREG_VIN$ and $VREG_PGND$ as close to the pins as practically possible.
 - In addition to C_{OUT} , for best performance we recommend a second $4.7\mu F$ capacitor is used on the V_{OUT} net, located on the bottom edge of the package (DVDD pin 23 on the QFN-60). Don't place this near L_X/C_{OUT} .

Figure 24. Cut-out beneath $L_X/VREG_LX$ net on layer 2 of 4 (or more) layer PCBs



6.3.8.2. Component values

- C_{IN} should be at least $4.7\mu F$ and have a maximum parasitic resistance of $50m\Omega$.
- C_{OUT} must be $4.7\mu F \pm 20\%$ with a maximum parasitic resistance of $250m\Omega$ and a maximum inductance of $6nH$.
- L_X must be fully shielded, $3.3\mu H \pm 20\%$ and with a maximum DC resistance of $250m\Omega$. Saturation current should be at least $1.5A$. The inductor must be marked for polarity (see [Figure 25](#)) and placed on the layout as indicated in [Figure 23](#). As discussed below, we recommend the [AOTA-B201610S3R3-101-T](#).

6.3.8.3. Regulator sensitivities

The RP2350 regulator has a few sensitivities:

- The `VREG_AVDD` supply is noise sensitive.
- Efficiency is quite sensitive to inductance roll-off with inductor current, so an inductor with low roll-off is required for best operation (generally the higher saturation current the better).
- Even with nominally fully shielded inductors, leakage magnetic field coupling into the loop formed by the output `VREG_LX` node through the inductor and output capacitor (C_{OUT}) seems to affect the regulator control loop and output voltage. Field orientation (and hence inductor orientation) matters - the inductor has to be the right way around to make sure the regulator operates properly especially at higher output currents and for higher load transients. This necessitates an inductor with marked polarity.

To meet the above requirements, Raspberry Pi have worked with Abracon to create a custom 2.0×1.6mm 3.3µH polarity-marked inductor, part number `AOTA-B201610S3R3-101-T` (see [Figure 25](#) and [Figure 25](#)). These will be available in general distribution in time, but for now please contact Raspberry Pi to request samples / production volumes.

Raspberry Pi is still working with the regulator IP vendor to fully verify and qualify the regulator and custom inductor.

Figure 25. `AOTA-B201610S3R3-101-T` inductor with orientation marking, showing current and magnetic field directions

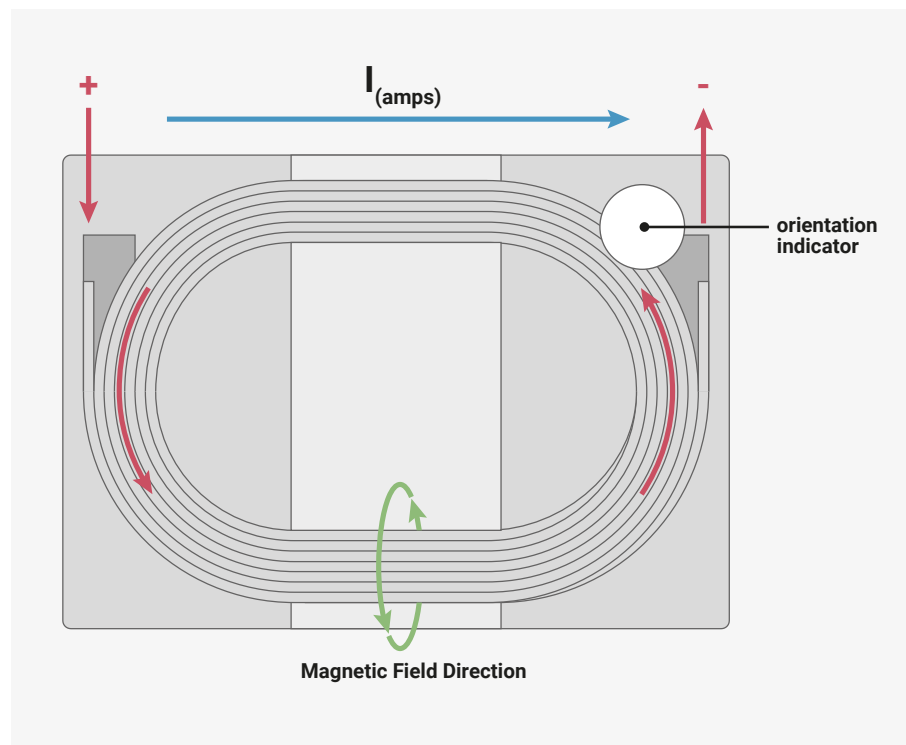
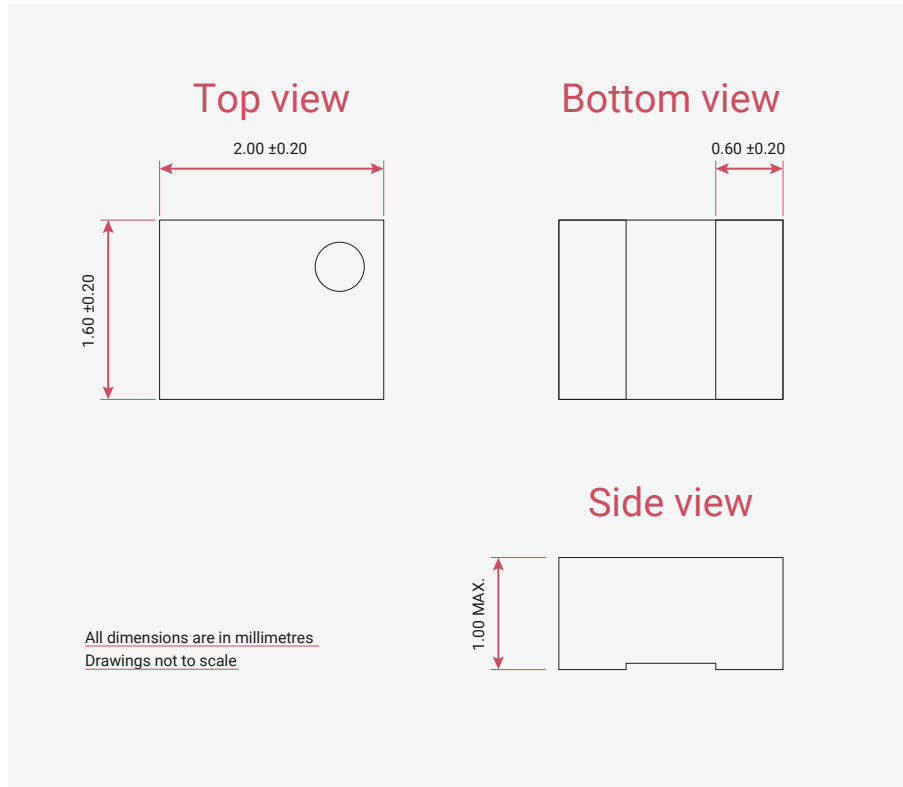


Figure 26. Dimensions of the AOTA-B201610S3R3-101-T inductor



6.3.9. List of registers

The voltage regulator shares a register address space with other power management subsystems in the always-on domain. This address space is referred to as **POWMAN** elsewhere in this document, and a complete list of **POWMAN** registers is provided in [Section 6.4](#). For reference information on **POWMAN** registers associated with the voltage regulator is repeated here.

The **POWMAN** registers start at a base address of `0x40100000` (defined as `POWMAN_BASE` in the SDK).

- [VREG_CTRL](#)
- [VREG_STS](#)
- [VREG](#)
- [VREG_LP_ENTRY](#)
- [VREG_LP_EXIT](#)

6.4. Power management (POWMAN) registers

Password-protected **POWMAN** registers require a password (`0x5AFE`) to be written to the top 16 bits to enable the write operation. This protects against accidental writes that could crash the chip untraceably. Writes to protected registers that don't include the password are ignored, setting a flag in the `BADPASSWD` register. Reads from protected registers don't return the password, to protect against erroneous read-modify-write operations.

Protected registers obviously don't have writeable fields in the top 16 bits, however they may have read-only fields in that range.

All registers with address offsets up to and including `0x00000ac` are password protected. Therefore, the following writeable registers are unprotected and have 32-bit write access:

- POWMAN_SCRATCH0 → POWMAN_SCRATCH7
- POWMAN_BOOT0 → POWMAN_BOOT3
- POWMAN_INTR
- POWMAN_INTE
- POWMAN_INTF

Table 477. List of POWMAN registers

| Offset | Name | Info |
|--------|---------------|---|
| 0x00 | BADPASSWD | Indicates a bad password has been used |
| 0x04 | VREG_CTRL | Voltage Regulator Control |
| 0x08 | VREG_STS | Voltage Regulator Status |
| 0x0c | VREG | Voltage Regulator Settings |
| 0x10 | VREG_LP_ENTRY | Voltage Regulator Low Power Entry Settings |
| 0x14 | VREG_LP_EXIT | Voltage Regulator Low Power Exit Settings |
| 0x18 | BOD_CTRL | Brown-out Detection Control |
| 0x1c | BOD | Brown-out Detection Settings |
| 0x20 | BOD_LP_ENTRY | Brown-out Detection Low Power Entry Settings |
| 0x24 | BOD_LP_EXIT | Brown-out Detection Low Power Exit Settings |
| 0x28 | LPOSC | Low power oscillator control register. |
| 0x2c | CHIP_RESET | Chip reset control and status |
| 0x30 | WDSSEL | Allows a watchdog reset to reset the internal state of powman in addition to the power-on state machine (PSM). Note that powman ignores watchdog resets that do not select at least the CLOCKS stage or earlier stages in the PSM. If using these bits, it's recommended to set PSM_WDSSEL to all-ones in addition to the desired bits in this register. Failing to select CLOCKS or earlier will result in the POWMAN_WDSSEL register having no effect. |
| 0x34 | SEQ_CFG | For configuration of the power sequencer Writes are ignored while POWMAN_STATE_CHANGING=1 |

| Offset | Name | Info |
|--------|---------------------|--|
| 0x38 | STATE | <p>This register controls the power state of the 4 power domains. The current power state is indicated in POWMAN_STATE_CURRENT which is read-only. To change the state, write to POWMAN_STATE_REQ. The coding of POWMAN_STATE_CURRENT & POWMAN_STATE_REQ corresponds to the power states defined in the datasheet:</p> <ul style="list-style-type: none"> bit 3 = SWCORE bit 2 = XIP cache bit 1 = SRAM0 bit 0 = SRAM1 <p>0 = powered up 1 = powered down</p> <p>When POWMAN_STATE_REQ is written, the POWMAN_STATE_WAITING flag is set while the Power Manager determines what is required. If an invalid transition is requested the Power Manager will still register the request in POWMAN_STATE_REQ but will also set the POWMAN_BAD_REQ flag. It will then implement the power-up requests and ignore the power down requests. To do nothing would risk entering an unrecoverable lock-up state. Invalid requests are: any combination of power up and power down requests any request that results in swcore being powered and xip unpowered If the request is to power down the switched-core domain then POWMAN_STATE_WAITING stays active until the processors halt. During this time the POWMAN_STATE_REQ field can be rewritten to change or cancel the request. When the power state transition begins the POWMAN_STATE_WAITING flag is cleared, the POWMAN_STATE_CHANGING flag is set and POWMAN register writes are ignored until the transition completes.</p> |
| 0x3c | POW_FASTDIV | |
| 0x40 | POW_DELAY | power state machine delays |
| 0x44 | EXT_CTRL0 | Configures a gpio as a power mode aware control output |
| 0x48 | EXT_CTRL1 | Configures a gpio as a power mode aware control output |
| 0x4c | EXT_TIME_REF | Select a GPIO to use as a time reference, the source can be used to drive the low power clock at 32kHz, or to provide a 1ms tick to the timer, or provide a 1Hz tick to the timer. The tick selection is controlled by the POWMAN_TIMER register. |
| 0x50 | LPOSC_FREQ_KHZ_INT | Informs the AON Timer of the integer component of the clock frequency when running off the LPOSC. |
| 0x54 | LPOSC_FREQ_KHZ_FRAC | Informs the AON Timer of the fractional component of the clock frequency when running off the LPOSC. |
| 0x58 | XOSC_FREQ_KHZ_INT | Informs the AON Timer of the integer component of the clock frequency when running off the XOSC. |
| 0x5c | XOSC_FREQ_KHZ_FRAC | Informs the AON Timer of the fractional component of the clock frequency when running off the XOSC. |
| 0x60 | SET_TIME_63T048 | |
| 0x64 | SET_TIME_47T032 | |

| Offset | Name | Info |
|--------|-------------------|---|
| 0x68 | SET_TIME_31TO16 | |
| 0x6c | SET_TIME_15TO0 | |
| 0x70 | READ_TIME_UPPER | |
| 0x74 | READ_TIME_LOWER | |
| 0x78 | ALARM_TIME_63TO48 | |
| 0x7c | ALARM_TIME_47TO32 | |
| 0x80 | ALARM_TIME_31TO16 | |
| 0x84 | ALARM_TIME_15TO0 | |
| 0x88 | TIMER | |
| 0x8c | PWRUP0 | <p>4 GPIO powerup events can be configured to wake the chip up from a low power state.</p> <p>The pwrups are level/edge sensitive and can be set to trigger on a high/rising or low/falling event</p> <p>The number of gpios available depends on the package option. An invalid selection will be ignored</p> <p>source = 0 selects gpio0</p> <p>.</p> <p>.</p> <p>source = 47 selects gpio47</p> <p>source = 48 selects qspi_ss</p> <p>source = 49 selects qspi_sd0</p> <p>source = 50 selects qspi_sd1</p> <p>source = 51 selects qspi_sd2</p> <p>source = 52 selects qspi_sd3</p> <p>source = 53 selects qspi_sclk</p> <p>level = 0 triggers the pwrup when the source is low</p> <p>level = 1 triggers the pwrup when the source is high</p> |
| 0x90 | PWRUP1 | <p>4 GPIO powerup events can be configured to wake the chip up from a low power state.</p> <p>The pwrups are level/edge sensitive and can be set to trigger on a high/rising or low/falling event</p> <p>The number of gpios available depends on the package option. An invalid selection will be ignored</p> <p>source = 0 selects gpio0</p> <p>.</p> <p>.</p> <p>source = 47 selects gpio47</p> <p>source = 48 selects qspi_ss</p> <p>source = 49 selects qspi_sd0</p> <p>source = 50 selects qspi_sd1</p> <p>source = 51 selects qspi_sd2</p> <p>source = 52 selects qspi_sd3</p> <p>source = 53 selects qspi_sclk</p> <p>level = 0 triggers the pwrup when the source is low</p> <p>level = 1 triggers the pwrup when the source is high</p> |

| Offset | Name | Info |
|--------|-------------------|---|
| 0x94 | PWRUP2 | <p>4 GPIO powerup events can be configured to wake the chip up from a low power state.</p> <p>The pwrups are level/edge sensitive and can be set to trigger on a high/rising or low/falling event</p> <p>The number of gpios available depends on the package option. An invalid selection will be ignored</p> <p>source = 0 selects gpio0</p> <p>.</p> <p>.</p> <p>source = 47 selects gpio47</p> <p>source = 48 selects qspi_ss</p> <p>source = 49 selects qspi_sd0</p> <p>source = 50 selects qspi_sd1</p> <p>source = 51 selects qspi_sd2</p> <p>source = 52 selects qspi_sd3</p> <p>source = 53 selects qspi_sclk</p> <p>level = 0 triggers the pwrup when the source is low</p> <p>level = 1 triggers the pwrup when the source is high</p> |
| 0x98 | PWRUP3 | <p>4 GPIO powerup events can be configured to wake the chip up from a low power state.</p> <p>The pwrups are level/edge sensitive and can be set to trigger on a high/rising or low/falling event</p> <p>The number of gpios available depends on the package option. An invalid selection will be ignored</p> <p>source = 0 selects gpio0</p> <p>.</p> <p>.</p> <p>source = 47 selects gpio47</p> <p>source = 48 selects qspi_ss</p> <p>source = 49 selects qspi_sd0</p> <p>source = 50 selects qspi_sd1</p> <p>source = 51 selects qspi_sd2</p> <p>source = 52 selects qspi_sd3</p> <p>source = 53 selects qspi_sclk</p> <p>level = 0 triggers the pwrup when the source is low</p> <p>level = 1 triggers the pwrup when the source is high</p> |
| 0x9c | CURRENT_PWRUP_REQ | <p>Indicates current powerup request state</p> <p>pwrup events can be cleared by removing the enable from the pwrup register. The alarm pwrup req can be cleared by clearing timer.alarm_enab</p> <p>0 = chip reset, for the source of the last reset see POWMAN_CHIP_RESET</p> <p>1 = pwrup0</p> <p>2 = pwrup1</p> <p>3 = pwrup2</p> <p>4 = pwrup3</p> <p>5 = coresight_pwrup</p> <p>6 = alarm_pwrup</p> |

| Offset | Name | Info |
|--------|-----------------------------------|--|
| 0xa0 | LAST_SWCORE_PWRUP | Indicates which pwrup source triggered the last switched-core power up 0 = chip reset, for the source of the last reset see POWMAN_CHIP_RESET 1 = pwrup0 2 = pwrup1 3 = pwrup2 4 = pwrup3 5 = coresight_pwrup 6 = alarm_pwrup |
| 0xa4 | DBG_PWRCFG | |
| 0xa8 | BOOTDIS | Tell the bootrom to ignore the BOOT0..3 registers following the next RSM reset (e.g. the next core power down/up). If an early boot stage has soft-locked some OTP pages in order to protect their contents from later stages, there is a risk that Secure code running at a later stage can unlock the pages by powering the core up and down. This register can be used to ensure that the bootloader runs as normal on the next power up, preventing Secure code at a later stage from accessing OTP in its unlocked state. Should be used in conjunction with the OTP BOOTDIS register. |
| 0xac | DBGCONFIG | |
| 0xb0 | SCRATCH0 | Scratch register. Information persists in low power mode |
| 0xb4 | SCRATCH1 | Scratch register. Information persists in low power mode |
| 0xb8 | SCRATCH2 | Scratch register. Information persists in low power mode |
| 0xbc | SCRATCH3 | Scratch register. Information persists in low power mode |
| 0xc0 | SCRATCH4 | Scratch register. Information persists in low power mode |
| 0xc4 | SCRATCH5 | Scratch register. Information persists in low power mode |
| 0xc8 | SCRATCH6 | Scratch register. Information persists in low power mode |
| 0xcc | SCRATCH7 | Scratch register. Information persists in low power mode |
| 0xd0 | BOOT0 | Scratch register. Information persists in low power mode |
| 0xd4 | BOOT1 | Scratch register. Information persists in low power mode |
| 0xd8 | BOOT2 | Scratch register. Information persists in low power mode |
| 0xdc | BOOT3 | Scratch register. Information persists in low power mode |
| 0xe0 | INTR | Raw Interrupts |
| 0xe4 | INTE | Interrupt Enable |
| 0xe8 | INTF | Interrupt Force |
| 0xec | INTS | Interrupt status after masking & forcing |

POWMAN: BADPASSWD Register

Offset: 0x00

Table 478.
BADPASSWD Register

| Bits | Description | Type | Reset |
|------|--|------|-------|
| 31:1 | Reserved. | - | - |
| 0 | Indicates a bad password has been used | WC | 0x0 |

POWMAN: VREG_CTRL Register

Offset: 0x04

Description

Voltage Regulator Control

Table 479.
VREG_CTRL Register

| Bits | Description | Type | Reset |
|-------|--|------|-------|
| 31:16 | Reserved. | - | - |
| 15 | RST_N : returns the regulator to its startup settings 0 - reset 1 - not reset (default) | RW | 0x1 |
| 14 | Reserved. | - | - |
| 13 | UNLOCK : unlocks the VREG control interface after power up 0 - Locked (default) 1 - Unlocked It cannot be relocked when it is unlocked. | RW | 0x0 |
| 12 | ISOLATE : isolates the VREG control interface 0 - not isolated (default) 1 - isolated | RW | 0x0 |
| 11:9 | Reserved. | - | - |
| 8 | DISABLE_VOLTAGE_LIMIT : 0=not disabled, 1=enabled | RW | 0x0 |
| 7 | Reserved. | - | - |
| 6:4 | HT_TH : high temperature protection threshold regulator power transistors are disabled when junction temperature exceeds threshold 000 - 100C 001 - 105C 010 - 110C 011 - 115C 100 - 120C 101 - 125C 110 - 135C 111 - 150C | RW | 0x5 |
| 3:2 | Reserved. | - | - |
| 1:0 | RESERVED : write 0 to this field | RW | 0x0 |

POWMAN: VREG_STS Register

Offset: 0x08

Description

Voltage Regulator Status

Table 480. VREG_STS Register

| Bits | Description | Type | Reset |
|------|---|------|-------|
| 31:5 | Reserved. | - | - |
| 4 | VOUT_OK : output regulation status 0=not in regulation, 1=in regulation | RO | 0x0 |
| 3:1 | Reserved. | - | - |
| 0 | STARTUP : startup status 0=startup complete, 1=starting up | RO | 0x0 |

POWMAN: VREG Register

Offset: 0x0c

Description

Voltage Regulator Settings

Table 481. VREG Register

| Bits | Description | Type | Reset |
|-------|--|------|-------|
| 31:16 | Reserved. | - | - |
| 15 | UPDATE_IN_PROGRESS : regulator state is being updated writes to the vreg register will be ignored when this field is set | RO | 0x0 |
| 14:9 | Reserved. | - | - |

| Bits | Description | Type | Reset |
|------|---|------|-------|
| 8:4 | VSEL : output voltage select the regulator output voltage is limited to 1.3V unless the voltage limit is disabled using the <code>disable_voltage_limit</code> field in the <code>vreg_ctrl</code> register 00000 - 0.55V 00001 - 0.60V 00010 - 0.65V 00011 - 0.70V 00100 - 0.75V 00101 - 0.80V 00110 - 0.85V 00111 - 0.90V 01000 - 0.95V 01001 - 1.00V 01010 - 1.05V 01011 - 1.10V (default) 01100 - 1.15V 01101 - 1.20V 01110 - 1.25V 01111 - 1.30V 10000 - 1.35V 10001 - 1.40V 10010 - 1.50V 10011 - 1.60V 10100 - 1.65V 10101 - 1.70V 10110 - 1.80V 10111 - 1.90V 11000 - 2.00V 11001 - 2.35V 11010 - 2.50V 11011 - 2.65V 11100 - 2.80V 11101 - 3.00V 11110 - 3.15V 11111 - 3.30V | RW | 0x0b |
| 3 | Reserved. | - | - |
| 2 | RESERVED : write 0 to this field | RW | 0x0 |
| 1 | HIZ : high impedance mode select 0=not in high impedance mode, 1=in high impedance mode | RW | 0x0 |
| 0 | Reserved. | - | - |

POWMAN: VREG_LP_ENTRY Register

Offset: 0x10

Description

Voltage Regulator Low Power Entry Settings

Table 482.
VREG_LP_ENTRY Register

| Bits | Description | Type | Reset |
|------|-------------|------|-------|
| 31:9 | Reserved. | - | - |

| Bits | Description | Type | Reset |
|------|---|------|-------|
| 8:4 | <p>VSEL: output voltage select the regulator output voltage is limited to 1.3V unless the voltage limit is disabled using the <code>disable_voltage_limit</code> field in the <code>vreg_ctrl</code> register</p> <p>00000 - 0.55V 00001 - 0.60V 00010 - 0.65V 00011 - 0.70V 00100 - 0.75V 00101 - 0.80V 00110 - 0.85V 00111 - 0.90V 01000 - 0.95V 01001 - 1.00V 01010 - 1.05V 01011 - 1.10V (default) 01100 - 1.15V 01101 - 1.20V 01110 - 1.25V 01111 - 1.30V 10000 - 1.35V 10001 - 1.40V 10010 - 1.50V 10011 - 1.60V 10100 - 1.65V 10101 - 1.70V 10110 - 1.80V 10111 - 1.90V 11000 - 2.00V 11001 - 2.35V 11010 - 2.50V 11011 - 2.65V 11100 - 2.80V 11101 - 3.00V 11110 - 3.15V 11111 - 3.30V</p> | RW | 0x0b |
| 3 | Reserved. | - | - |
| 2 | <p>MODE: selects either normal (switching) mode or low power (linear) mode low power mode can only be selected for output voltages up to 1.3V 0 = normal mode (switching) 1 = low power mode (linear)</p> | RW | 0x1 |
| 1 | <p>HIZ: high impedance mode select 0=not in high impedance mode, 1=in high impedance mode</p> | RW | 0x0 |
| 0 | Reserved. | - | - |

POWMAN: VREG_LP_EXIT Register

Offset: 0x14

Description

Voltage Regulator Low Power Exit Settings

Table 483.
VREG_LP_EXIT
Register

| Bits | Description | Type | Reset |
|------|---|------|-------|
| 31:9 | Reserved. | - | - |
| 8:4 | <p>VSEL: output voltage select</p> <p>the regulator output voltage is limited to 1.3V unless the voltage limit is disabled using the disable_voltage_limit field in the vreg_ctrl register</p> <p>00000 - 0.55V 00001 - 0.60V 00010 - 0.65V 00011 - 0.70V 00100 - 0.75V 00101 - 0.80V 00110 - 0.85V 00111 - 0.90V 01000 - 0.95V 01001 - 1.00V 01010 - 1.05V 01011 - 1.10V (default) 01100 - 1.15V 01101 - 1.20V 01110 - 1.25V 01111 - 1.30V 10000 - 1.35V 10001 - 1.40V 10010 - 1.50V 10011 - 1.60V 10100 - 1.65V 10101 - 1.70V 10110 - 1.80V 10111 - 1.90V 11000 - 2.00V 11001 - 2.35V 11010 - 2.50V 11011 - 2.65V 11100 - 2.80V 11101 - 3.00V 11110 - 3.15V 11111 - 3.30V</p> | RW | 0x0b |
| 3 | Reserved. | - | - |
| 2 | <p>MODE: selects either normal (switching) mode or low power (linear) mode</p> <p>low power mode can only be selected for output voltages up to 1.3V</p> <p>0 = normal mode (switching) 1 = low power mode (linear)</p> | RW | 0x0 |
| 1 | <p>HIZ: high impedance mode select</p> <p>0=not in high impedance mode, 1=in high impedance mode</p> | RW | 0x0 |
| 0 | Reserved. | - | - |

POWMAN: BOD_CTRL Register

Offset: 0x18

Description

Brown-out Detection Control

Table 484. BOD_CTRL Register

| Bits | Description | Type | Reset |
|-------|---|------|-------|
| 31:13 | Reserved. | - | - |
| 12 | ISOLATE : isolates the brown-out detection control interface 0 - not isolated (default) 1 - isolated | RW | 0x0 |
| 11:0 | Reserved. | - | - |

POWMAN: BOD Register

Offset: 0x1c

Description

Brown-out Detection Settings

Table 485. BOD Register

| Bits | Description | Type | Reset |
|------|---|------|-------|
| 31:9 | Reserved. | - | - |
| 8:4 | VSEL : threshold select 00000 - 0.473V 00001 - 0.516V 00010 - 0.559V 00011 - 0.602V 00100 - 0.645VS 00101 - 0.688V 00110 - 0.731V 00111 - 0.774V 01000 - 0.817V 01001 - 0.860V (default) 01010 - 0.903V 01011 - 0.946V 01100 - 0.989V 01101 - 1.032V 01110 - 1.075V 01111 - 1.118V 10000 - 1.161V 10001 - 1.204V | RW | 0x0b |
| 3:1 | Reserved. | - | - |
| 0 | EN : enable brown-out detection 0=not enabled, 1=enabled | RW | 0x1 |

POWMAN: BOD_LP_ENTRY Register

Offset: 0x20

Description

Brown-out Detection Low Power Entry Settings

Table 486. BOD_LP_ENTRY Register

| Bits | Description | Type | Reset |
|------|-------------|------|-------|
| 31:9 | Reserved. | - | - |

| Bits | Description | Type | Reset |
|------|---|------|-------|
| 8:4 | VSEL : threshold select 00000 - 0.473V 00001 - 0.516V 00010 - 0.559V 00011 - 0.602V 00100 - 0.645VS 00101 - 0.688V 00110 - 0.731V 00111 - 0.774V 01000 - 0.817V 01001 - 0.860V (default) 01010 - 0.903V 01011 - 0.946V 01100 - 0.989V 01101 - 1.032V 01110 - 1.075V 01111 - 1.118V 10000 - 1.161V 10001 - 1.204V | RW | 0x0b |
| 3:1 | Reserved. | - | - |
| 0 | EN : enable brown-out detection 0=not enabled, 1=enabled | RW | 0x0 |

POWMAN: BOD_LP_EXIT Register

Offset: 0x24

Description

Brown-out Detection Low Power Exit Settings

Table 487.
BOD_LP_EXIT Register

| Bits | Description | Type | Reset |
|------|---|------|-------|
| 31:9 | Reserved. | - | - |
| 8:4 | VSEL : threshold select 00000 - 0.473V 00001 - 0.516V 00010 - 0.559V 00011 - 0.602V 00100 - 0.645VS 00101 - 0.688V 00110 - 0.731V 00111 - 0.774V 01000 - 0.817V 01001 - 0.860V (default) 01010 - 0.903V 01011 - 0.946V 01100 - 0.989V 01101 - 1.032V 01110 - 1.075V 01111 - 1.118V 10000 - 1.161V 10001 - 1.204V | RW | 0x0b |
| 3:1 | Reserved. | - | - |

| Bits | Description | Type | Reset |
|------|--|------|-------|
| 0 | EN : enable brown-out detection 0=not enabled, 1=enabled | RW | 0x1 |

POWMAN: LPOSC Register

Offset: 0x28

Description

Low power oscillator control register.

Table 488. LPOSC Register

| Bits | Description | Type | Reset |
|-------|--|------|-------|
| 31:10 | Reserved. | - | - |
| 9:4 | TRIM : Frequency trim - the trim step is typically 1% of the reset frequency, but can be up to 3% | RW | 0x20 |
| 3:2 | Reserved. | - | - |
| 1:0 | MODE : This feature has been removed | RW | 0x3 |

POWMAN: CHIP_RESET Register

Offset: 0x2c

Description

Chip reset control and status

Table 489. CHIP_RESET Register

| Bits | Description | Type | Reset |
|-------|--|------|-------|
| 31:29 | Reserved. | - | - |
| 28 | HAD_WATCHDOG_RESET_PSM : Last reset was a watchdog timeout which was configured to reset the power-on state machine This resets: double_tap flag no DP no RPAP no rescue_flag no timer no powman no swcore no psm yes and does not change the power state | RO | 0x0 |
| 27 | HAD_HZD_SYS_RESET_REQ : Last reset was a system reset from the hazard debugger This resets: double_tap flag no DP no RPAP no rescue_flag no timer no powman no swcore no psm yes and does not change the power state | RO | 0x0 |

| Bits | Description | Type | Reset |
|------|--|------|-------|
| 26 | <p>HAD_GLITCH_DETECT: Last reset was due to a power supply glitch</p> <p>This resets:</p> <ul style="list-style-type: none"> double_tap flag no DP no RPAP no rescue_flag no timer no powman no swcore no psm yes <p>and does not change the power state</p> | RO | 0x0 |
| 25 | <p>HAD_SWCORE_PD: Last reset was a switched core powerdown</p> <p>This resets:</p> <ul style="list-style-type: none"> double_tap flag no DP no RPAP no rescue_flag no timer no powman no swcore yes psm yes <p>then starts the power sequencer</p> | RO | 0x0 |
| 24 | <p>HAD_WATCHDOG_RESET_SWCORE: Last reset was a watchdog timeout which was configured to reset the switched-core</p> <p>This resets:</p> <ul style="list-style-type: none"> double_tap flag no DP no RPAP no rescue_flag no timer no powman no swcore yes psm yes <p>then starts the power sequencer</p> | RO | 0x0 |
| 23 | <p>HAD_WATCHDOG_RESET_POWMAN: Last reset was a watchdog timeout which was configured to reset the power manager</p> <p>This resets:</p> <ul style="list-style-type: none"> double_tap flag no DP no RPAP no rescue_flag no timer yes powman yes swcore yes psm yes <p>then starts the power sequencer</p> | RO | 0x0 |

| Bits | Description | Type | Reset |
|------|---|------|-------|
| 22 | <p>HAD_WATCHDOG_RESET_POWMAN_ASYNC: Last reset was a watchdog timeout which was configured to reset the power manager asynchronously</p> <p>This resets:</p> <ul style="list-style-type: none"> double_tap flag no DP no RPAP no rescue_flag no timer yes powman yes swcore yes psm yes <p>then starts the power sequencer</p> | RO | 0x0 |
| 21 | <p>HAD_RESCUE: Last reset was a rescue reset from the debugger</p> <p>This resets:</p> <ul style="list-style-type: none"> double_tap flag no DP no RPAP no rescue_flag no, it sets this flag timer yes powman yes swcore yes psm yes <p>then starts the power sequencer</p> | RO | 0x0 |
| 20 | Reserved. | - | - |
| 19 | <p>HAD_DP_RESET_REQ: Last reset was an reset request from the arm debugger</p> <p>This resets:</p> <ul style="list-style-type: none"> double_tap flag no DP no RPAP no rescue_flag yes timer yes powman yes swcore yes psm yes <p>then starts the power sequencer</p> | RO | 0x0 |
| 18 | <p>HAD_RUN_LOW: Last reset was from the RUN pin</p> <p>This resets:</p> <ul style="list-style-type: none"> double_tap flag no DP yes RPAP yes rescue_flag yes timer yes powman yes swcore yes psm yes <p>then starts the power sequencer</p> | RO | 0x0 |

| Bits | Description | Type | Reset |
|------|---|------|-------|
| 17 | HAD_BOR: Last reset was from the brown-out detection block This resets: double_tap flag yes DP yes RPAP yes rescue_flag yes timer yes powman yes swcore yes psm yes then starts the power sequencer | RO | 0x0 |
| 16 | HAD_POR: Last reset was from the power-on reset This resets: double_tap flag yes DP yes RPAP yes rescue_flag yes timer yes powman yes swcore yes psm yes then starts the power sequencer | RO | 0x0 |
| 15:5 | Reserved. | - | - |
| 4 | RESCUE_FLAG: This is set by a rescue reset from the RP-AP. Its purpose is to halt before the bootrom before booting from flash in order to recover from a boot lock-up. The debugger can then attach once the bootrom has been halted and flash some working code that does not lock up. | WC | 0x0 |
| 3:1 | Reserved. | - | - |
| 0 | DOUBLE_TAP: This flag is set by double-tapping RUN. It tells bootcode to go into the bootloader. | RW | 0x0 |

POWMAN: WDSSEL Register

Offset: 0x30

Description

Allows a watchdog reset to reset the internal state of powman in addition to the power-on state machine (PSM). Note that powman ignores watchdog resets that do not select at least the CLOCKS stage or earlier stages in the PSM. If using these bits, it's recommended to set PSM_WDSSEL to all-ones in addition to the desired bits in this register. Failing to select CLOCKS or earlier will result in the POWMAN_WDSSEL register having no effect.

Table 490. WDSSEL Register

| Bits | Description | Type | Reset |
|-------|---|------|-------|
| 31:13 | Reserved. | - | - |
| 12 | RESET_PSM: If set to 1, a watchdog reset will run the full power-on state machine (PSM) sequence From a user perspective it is the same as setting RSM_WDSSEL_PROC_COLD From a hardware debug perspective it has the same effect as a reset from a glitch detector | RW | 0x0 |
| 11:9 | Reserved. | - | - |

| Bits | Description | Type | Reset |
|------|---|------|-------|
| 8 | RESET_SWCORE: If set to 1, a watchdog reset will reset the switched core power domain and run the full power-on state machine (PSM) sequence From a user perspective it is the same as setting RSM_WDSEL_PROC_COLD From a hardware debug perspective it has the same effect as a power-on reset for the switched core power domain | RW | 0x0 |
| 7:5 | Reserved. | - | - |
| 4 | RESET_POWMAN: If set to 1, a watchdog reset will restore powman defaults, reset the timer, reset the switched core power domain and run the full power-on state machine (PSM) sequence This relies on clk_ref running. Use reset_powman_async if that may not be true | RW | 0x0 |
| 3:1 | Reserved. | - | - |
| 0 | RESET_POWMAN_ASYNC: If set to 1, a watchdog reset will restore powman defaults, reset the timer, reset the switched core domain and run the full power-on state machine (PSM) sequence This does not rely on clk_ref running | RW | 0x0 |

POWMAN: SEQ_CFG Register

Offset: 0x34

Description

For configuration of the power sequencer

Writes are ignored while POWMAN_STATE_CHANGING=1

Table 491. SEQ_CFG Register

| Bits | Description | Type | Reset |
|-------|---|------|-------|
| 31:21 | Reserved. | - | - |
| 20 | USING_FAST_POWCK: 0 indicates the POWMAN clock is running from the low power oscillator (32kHz) 1 indicates the POWMAN clock is running from the reference clock (2-50MHz) | RO | 0x1 |
| 19:18 | Reserved. | - | - |
| 17 | USING_BOD_LP: Indicates the brown-out detector (BOD) mode 0 = BOD high power mode which is the default 1 = BOD low power mode | RO | 0x0 |
| 16 | USING_VREG_LP: Indicates the voltage regulator (VREG) mode 0 = VREG high power mode which is the default 1 = VREG low power mode | RO | 0x0 |
| 15:13 | Reserved. | - | - |
| 12 | USE_FAST_POWCK: selects the reference clock (clk_ref) as the source of the POWMAN clock when switched-core is powered. The POWMAN clock always switches to the slow clock (lpsc) when switched-core is powered down because the fast clock stops running. 0 always run the POWMAN clock from the slow clock (lpsc) 1 run the POWMAN clock from the fast clock when available This setting takes effect when a power up sequence is next run | RW | 0x1 |
| 11:9 | Reserved. | - | - |

| Bits | Description | Type | Reset |
|------|--|------|-------|
| 8 | RUN_LPOSC_IN_LP : Set to 0 to stop the low power osc when the switched-core is powered down, which is unwise if using it to clock the timer This setting takes effect when the swcore is next powered down | RW | 0x1 |
| 7 | USE_BOD_HP : Set to 0 to prevent automatic switching to bod high power mode when switched-core is powered up This setting takes effect when the swcore is next powered up | RW | 0x1 |
| 6 | USE_BOD_LP : Set to 0 to prevent automatic switching to bod low power mode when switched-core is powered down This setting takes effect when the swcore is next powered down | RW | 0x1 |
| 5 | USE_VREG_HP : Set to 0 to prevent automatic switching to vreg high power mode when switched-core is powered up This setting takes effect when the swcore is next powered up | RW | 0x1 |
| 4 | USE_VREG_LP : Set to 0 to prevent automatic switching to vreg low power mode when switched-core is powered down This setting takes effect when the swcore is next powered down | RW | 0x1 |
| 3:2 | Reserved. | - | - |
| 1 | HW_PWRUP_SRAM0 : Specifies the power state of SRAM0 when powering up swcore from a low power state (P1.xxx) to a high power state (P0.0xx). 0=power-up 1=no change | RW | 0x0 |
| 0 | HW_PWRUP_SRAM1 : Specifies the power state of SRAM1 when powering up swcore from a low power state (P1.xxx) to a high power state (P0.0xx). 0=power-up 1=no change | RW | 0x0 |

POWMAN: STATE Register

Offset: 0x38

Description

This register controls the power state of the 4 power domains.

The current power state is indicated in POWMAN_STATE_CURRENT which is read-only.

To change the state, write to POWMAN_STATE_REQ.

The coding of POWMAN_STATE_CURRENT & POWMAN_STATE_REQ corresponds to the power states defined in the datasheet:

bit 3 = SWCORE

bit 2 = XIP cache

bit 1 = SRAM0

bit 0 = SRAM1

0 = powered up

1 = powered down

When POWMAN_STATE_REQ is written, the POWMAN_STATE_WAITING flag is set while the Power Manager determines what is required. If an invalid transition is requested the Power Manager will still register the request in POWMAN_STATE_REQ but will also set the POWMAN_BAD_REQ flag. It will then implement the power-up requests and ignore the power down requests. To do nothing would risk entering an unrecoverable lock-up state. Invalid requests are: any combination of power up and power down requests any request that results in swcore being powered and xip unpowered If the request is to power down the switched-core domain then POWMAN_STATE_WAITING stays active until the processors halt. During this time the POWMAN_STATE_REQ field can be re-written to change or cancel the request. When the power state transition begins the POWMAN_STATE_WAITING_flag is cleared, the POWMAN_STATE_CHANGING flag is set and POWMAN register writes are ignored until the transition completes.

Table 492. STATE Register

| Bits | Description | Type | Reset |
|-------|--|------|-------|
| 31:14 | Reserved. | - | - |
| 13 | CHANGING: Indicates a power state change is in progress | RO | 0x0 |
| 12 | WAITING: Indicates the power manager has received a state change request and is waiting for other actions to complete before executing it | RO | 0x0 |
| 11 | BAD_HW_REQ: Invalid hardware initiated state request, power up requests actioned, power down requests ignored | RO | 0x0 |
| 10 | BAD_SW_REQ: Invalid software initiated state request ignored | RO | 0x0 |
| 9 | PWRUP_WHILE_WAITING: Indicates that a power state change request was ignored because of a pending power state change request | WC | 0x0 |
| 8 | REQ_IGNORED: Indicates that a software state change request was ignored because it clashed with an ongoing hardware or debugger request | WC | 0x0 |
| 7:4 | REQ: This is written by software or hardware to request a new power state | RW | 0x0 |
| 3:0 | CURRENT: Indicates the current power state | RO | 0xf |

POWMAN: POW_FASTDIV Register

Offset: 0x3c

Table 493. POW_FASTDIV Register

| Bits | Description | Type | Reset |
|-------|--|------|-------|
| 31:11 | Reserved. | - | - |
| 10:0 | divides the POWMAN clock to provide a tick for the delay module and state machines when clk_pow is running from the slow clock it is not divided when clk_pow is running from the fast clock it is divided by tick_div | RW | 0x040 |

POWMAN: POW_DELAY Register

Offset: 0x40

Description

power state machine delays

Table 494. POW_DELAY Register

| Bits | Description | Type | Reset |
|-------|--|------|-------|
| 31:16 | Reserved. | - | - |
| 15:8 | SRAM_STEP: timing between the sram0 and sram1 power state machine steps measured in units of the powman tick period (>=1us), 0 gives a delay of 1 unit | RW | 0x20 |
| 7:4 | XIP_STEP: timing between the xip power state machine steps measured in units of the lpsc period, 0 gives a delay of 1 unit | RW | 0x1 |
| 3:0 | SWCORE_STEP: timing between the swcore power state machine steps measured in units of the lpsc period, 0 gives a delay of 1 unit | RW | 0x1 |

POWMAN: EXT_CTRL0 Register

Offset: 0x44

Description

Configures a gpio as a power mode aware control output

Table 495. EXT_CTRL0 Register

| Bits | Description | Type | Reset |
|-------|---|------|-------|
| 31:15 | Reserved. | - | - |
| 14 | LP_EXIT_STATE : output level when exiting the low power state | RW | 0x0 |
| 13 | LP_ENTRY_STATE : output level when entering the low power state | RW | 0x0 |
| 12 | INIT_STATE | RW | 0x0 |
| 11:9 | Reserved. | - | - |
| 8 | INIT | RW | 0x0 |
| 7:6 | Reserved. | - | - |
| 5:0 | GPIO_SELECT : selects from gpio 0→30 set to 31 to disable this feature | RW | 0x3f |

POWMAN: EXT_CTRL1 Register

Offset: 0x48

Description

Configures a gpio as a power mode aware control output

Table 496. EXT_CTRL1 Register

| Bits | Description | Type | Reset |
|-------|---|------|-------|
| 31:15 | Reserved. | - | - |
| 14 | LP_EXIT_STATE : output level when exiting the low power state | RW | 0x0 |
| 13 | LP_ENTRY_STATE : output level when entering the low power state | RW | 0x0 |
| 12 | INIT_STATE | RW | 0x0 |
| 11:9 | Reserved. | - | - |
| 8 | INIT | RW | 0x0 |
| 7:6 | Reserved. | - | - |
| 5:0 | GPIO_SELECT : selects from gpio 0→30 set to 31 to disable this feature | RW | 0x3f |

POWMAN: EXT_TIME_REF Register

Offset: 0x4c

Description

Select a GPIO to use as a time reference, the source can be used to drive the low power clock at 32kHz, or to provide a 1ms tick to the timer, or provide a 1Hz tick to the timer. The tick selection is controlled by the POWMAN_TIMER register.

Table 497. EXT_TIME_REF Register

| Bits | Description | Type | Reset |
|------|--|------|-------|
| 31:5 | Reserved. | - | - |
| 4 | DRIVE_LPCK : Use the selected GPIO to drive the 32kHz low power clock, in place of LPOSC. This field must only be written when POWMAN_TIMER_RUN=0 | RW | 0x0 |
| 3:2 | Reserved. | - | - |

| Bits | Description | Type | Reset |
|------|--|------|-------|
| 1:0 | SOURCE_SEL : 0 → gpio12 1 → gpio20 2 → gpio14 3 → gpio22 | RW | 0x0 |
| | Enumerated values: | | |
| | 0x0 → GPIO12 | | |
| | 0x1 → GPIO20 | | |
| | 0x2 → GPIO14 | | |
| | 0x3 → GPIO22 | | |

POWMAN: LPOSC_FREQ_KHZ_INT Register

Offset: 0x50

Description

Informs the AON Timer of the integer component of the clock frequency when running off the LPOSC.

Table 498.
LPOSC_FREQ_KHZ_INT Register

| Bits | Description | Type | Reset |
|------|--|------|-------|
| 31:6 | Reserved. | - | - |
| 5:0 | Integer component of the LPOSC or GPIO clock source frequency in kHz. Default = 32 This field must only be written when POWMAN_TIMER_RUN=0 or POWMAN_TIMER_USING_XOSC=1 | RW | 0x20 |

POWMAN: LPOSC_FREQ_KHZ_FRAC Register

Offset: 0x54

Description

Informs the AON Timer of the fractional component of the clock frequency when running off the LPOSC.

Table 499.
LPOSC_FREQ_KHZ_FRAC Register

| Bits | Description | Type | Reset |
|-------|--|------|--------|
| 31:16 | Reserved. | - | - |
| 15:0 | Fractional component of the LPOSC or GPIO clock source frequency in kHz. Default = 0.768 This field must only be written when POWMAN_TIMER_RUN=0 or POWMAN_TIMER_USING_XOSC=1 | RW | 0xc49c |

POWMAN: XOSC_FREQ_KHZ_INT Register

Offset: 0x58

Description

Informs the AON Timer of the integer component of the clock frequency when running off the XOSC.

Table 500.
XOSC_FREQ_KHZ_INT
Register

| Bits | Description | Type | Reset |
|-------|--|------|--------|
| 31:16 | Reserved. | - | - |
| 15:0 | Integer component of the XOSC frequency in kHz. Default = 12000 Must be >1 This field must only be written when POWMAN_TIMER_RUN=0 or POWMAN_TIMER_USING_XOSC=0 | RW | 0x2ee0 |

POWMAN: XOSC_FREQ_KHZ_FRAC Register

Offset: 0x5c

Description

Informs the AON Timer of the fractional component of the clock frequency when running off the XOSC.

Table 501.
XOSC_FREQ_KHZ_FRAC
Register

| Bits | Description | Type | Reset |
|-------|---|------|--------|
| 31:16 | Reserved. | - | - |
| 15:0 | Fractional component of the XOSC frequency in kHz. This field must only be written when POWMAN_TIMER_RUN=0 or POWMAN_TIMER_USING_XOSC=0 | RW | 0x0000 |

POWMAN: SET_TIME_63T048 Register

Offset: 0x60

Table 502.
SET_TIME_63T048
Register

| Bits | Description | Type | Reset |
|-------|---|------|--------|
| 31:16 | Reserved. | - | - |
| 15:0 | For setting the time, do not use for reading the time, use POWMAN_READ_TIME_UPPER and POWMAN_READ_TIME_LOWER. This field must only be written when POWMAN_TIMER_RUN=0 | RW | 0x0000 |

POWMAN: SET_TIME_47T032 Register

Offset: 0x64

Table 503.
SET_TIME_47T032
Register

| Bits | Description | Type | Reset |
|-------|---|------|--------|
| 31:16 | Reserved. | - | - |
| 15:0 | For setting the time, do not use for reading the time, use POWMAN_READ_TIME_UPPER and POWMAN_READ_TIME_LOWER. This field must only be written when POWMAN_TIMER_RUN=0 | RW | 0x0000 |

POWMAN: SET_TIME_31T016 Register

Offset: 0x68

Table 504.
SET_TIME_31T016
Register

| Bits | Description | Type | Reset |
|-------|---|------|--------|
| 31:16 | Reserved. | - | - |
| 15:0 | For setting the time, do not use for reading the time, use POWMAN_READ_TIME_UPPER and POWMAN_READ_TIME_LOWER. This field must only be written when POWMAN_TIMER_RUN=0 | RW | 0x0000 |

POWMAN: SET_TIME_15T00 Register

Offset: 0x6c

Table 505.
SET_TIME_15T00
Register

| Bits | Description | Type | Reset |
|-------|---|------|--------|
| 31:16 | Reserved. | - | - |
| 15:0 | For setting the time, do not use for reading the time, use POWMAN_READ_TIME_UPPER and POWMAN_READ_TIME_LOWER. This field must only be written when POWMAN_TIMER_RUN=0 | RW | 0x0000 |

POWMAN: READ_TIME_UPPER Register

Offset: 0x70

Table 506.
READ_TIME_UPPER
Register

| Bits | Description | Type | Reset |
|------|--|------|------------|
| 31:0 | For reading bits 63:32 of the timer. When reading all 64 bits it is possible for the LOWER count to rollover during the read. It is recommended to read UPPER, then LOWER, then re-read UPPER and, if it has changed, re-read LOWER. | RO | 0x00000000 |

POWMAN: READ_TIME_LOWER Register

Offset: 0x74

Table 507.
READ_TIME_LOWER
Register

| Bits | Description | Type | Reset |
|------|-------------------------------------|------|------------|
| 31:0 | For reading bits 31:0 of the timer. | RO | 0x00000000 |

POWMAN: ALARM_TIME_63T048 Register

Offset: 0x78

Table 508.
ALARM_TIME_63T048
Register

| Bits | Description | Type | Reset |
|-------|--|------|--------|
| 31:16 | Reserved. | - | - |
| 15:0 | This field must only be written when POWMAN_ALARM_ENAB=0 | RW | 0x0000 |

POWMAN: ALARM_TIME_47T032 Register

Offset: 0x7c

Table 509.
ALARM_TIME_47T032
Register

| Bits | Description | Type | Reset |
|-------|--|------|--------|
| 31:16 | Reserved. | - | - |
| 15:0 | This field must only be written when POWMAN_ALARM_ENAB=0 | RW | 0x0000 |

POWMAN: ALARM_TIME_31T016 Register

Offset: 0x80

Table 510.
ALARM_TIME_31T016
Register

| Bits | Description | Type | Reset |
|-------|--|------|--------|
| 31:16 | Reserved. | - | - |
| 15:0 | This field must only be written when POWMAN_ALARM_ENAB=0 | RW | 0x0000 |

POWMAN: ALARM_TIME_15T00 Register

Offset: 0x84

Table 511.
ALARM_TIME_15T00
Register

| Bits | Description | Type | Reset |
|-------|--|------|--------|
| 31:16 | Reserved. | - | - |
| 15:0 | This field must only be written when POWMAN_ALARM_ENAB=0 | RW | 0x0000 |

POWMAN: TIMER Register

Offset: 0x88

Table 512. TIMER
Register

| Bits | Description | Type | Reset |
|-------|--|------|-------|
| 31:20 | Reserved. | - | - |
| 19 | USING_GPIO_1HZ : Timer is synchronised to a 1hz gpio source | RO | 0x0 |
| 18 | USING_GPIO_1KHZ : Timer is running from a 1khz gpio source | RO | 0x0 |
| 17 | USING_LPOSC : Timer is running from lposc | RO | 0x0 |
| 16 | USING_XOSC : Timer is running from xosc | RO | 0x0 |
| 15:14 | Reserved. | - | - |
| 13 | USE_GPIO_1HZ : Selects the gpio source as the reference for the sec counter. The msec counter will continue to use the lposc or xosc reference. | RW | 0x0 |
| 12:11 | Reserved. | - | - |
| 10 | USE_GPIO_1KHZ : switch to gpio as the source of the 1kHz timer tick | SC | 0x0 |
| 9 | USE_XOSC : switch to xosc as the source of the 1kHz timer tick | SC | 0x0 |
| 8 | USE_LPOSC : Switch to lposc as the source of the 1kHz timer tick | SC | 0x0 |
| 7 | Reserved. | - | - |
| 6 | ALARM : Alarm has fired. Write to 1 to clear the alarm. | WC | 0x0 |
| 5 | PWRUP_ON_ALARM : Alarm wakes the chip from low power mode | RW | 0x0 |
| 4 | ALARM_ENAB : Enables the alarm. The alarm must be disabled while writing the alarm time. | RW | 0x0 |
| 3 | Reserved. | - | - |
| 2 | CLEAR : Clears the timer, does not disable the timer and does not affect the alarm. This control can be written at any time. | SC | 0x0 |
| 1 | RUN : Timer enable. Setting this bit causes the timer to begin counting up from its current value. Clearing this bit stops the timer from counting. Before enabling the timer, set the POWMAN_LPOSC_FREQ* and POWMAN_XOSC_FREQ* registers to configure the count rate, and initialise the current time by writing to SET_TIME_63T048 through SET_TIME_15T00. You must not write to the SET_TIME_x registers when the timer is running. Once configured, start the timer by setting POWMAN_TIMER_RUN=1. This will start the timer running from the LPOSC. When the XOSC is available switch the reference clock to XOSC then select it as the timer clock by setting POWMAN_TIMER_USE_XOSC=1 | RW | 0x0 |
| 0 | NONSEC_WRITE : Control whether Non-secure software can write to the timer registers. All other registers are hardwired to be inaccessible to Non-secure. | RW | 0x0 |

POWMAN: PWRUP0 Register

Offset: 0x8c

Description

4 GPIO powerup events can be configured to wake the chip up from a low power state. The pwrups are level/edge sensitive and can be set to trigger on a high/rising or low/falling event. The number of gpios available depends on the package option. An invalid selection will be ignored. source = 0 selects gpio0

- 1. +
- 2. + source = 47 selects gpio47
 source = 48 selects qspi_ss
 source = 49 selects qspi_sd0
 source = 50 selects qspi_sd1
 source = 51 selects qspi_sd2
 source = 52 selects qspi_sd3
 source = 53 selects qspi_sclk
 level = 0 triggers the pwrup when the source is low
 level = 1 triggers the pwrup when the source is high

Table 513. PWRUP0 Register

| Bits | Description | Type | Reset |
|-------|--|------|-------|
| 31:11 | Reserved. | - | - |
| 10 | RAW_STATUS: Value of selected gpio pin (only if enable == 1) | RO | 0x0 |
| 9 | STATUS: Status of gpio wakeup. Write to 1 to clear a latched edge detect. | WC | 0x0 |
| 8 | MODE: Edge or level detect. Edge will detect a 0 to 1 transition (or 1 to 0 transition). Level will detect a 1 or 0. Both types of event get latched into the current_pwrup_req register. | RW | 0x0 |
| | Enumerated values: | | |
| | 0x0 → LEVEL | | |
| | 0x1 → EDGE | | |
| 7 | DIRECTION | RW | 0x0 |
| | Enumerated values: | | |
| | 0x0 → LOW_FALLING | | |
| | 0x1 → HIGH_RISING | | |
| 6 | ENABLE: Set to 1 to enable the wakeup source. Set to 0 to disable the wakeup source and clear a pending wakeup event. If using edge detect a latched edge needs to be cleared by writing 1 to the status register also. | RW | 0x0 |
| 5:0 | SOURCE | RW | 0x3f |

POWMAN: PWRUP1 Register

Offset: 0x90

Description

4 GPIO powerup events can be configured to wake the chip up from a low power state. The pwrups are level/edge sensitive and can be set to trigger on a high/rising or low/falling event. The number of gpios available depends on the package option. An invalid selection will be ignored. source = 0 selects gpio0

- 1. +

- 2. + source = 47 selects gpio47
- source = 48 selects qspi_ss
- source = 49 selects qspi_sd0
- source = 50 selects qspi_sd1
- source = 51 selects qspi_sd2
- source = 52 selects qspi_sd3
- source = 53 selects qspi_sclk
- level = 0 triggers the pwrup when the source is low
- level = 1 triggers the pwrup when the source is high

Table 514. PWRUP1 Register

| Bits | Description | Type | Reset |
|-------|---|------|-------|
| 31:11 | Reserved. | - | - |
| 10 | RAW_STATUS: Value of selected gpio pin (only if enable == 1) | RO | 0x0 |
| 9 | STATUS: Status of gpio wakeup. Write to 1 to clear a latched edge detect. | WC | 0x0 |
| 8 | MODE: Edge or level detect. Edge will detect a 0 to 1 transition (or 1 to 0 transition). Level will detect a 1 or 0. Both types of event get latched into the current_pwrup_req register. | RW | 0x0 |
| | Enumerated values: | | |
| | 0x0 → LEVEL | | |
| | 0x1 → EDGE | | |
| 7 | DIRECTION | RW | 0x0 |
| | Enumerated values: | | |
| | 0x0 → LOW_FALLING | | |
| | 0x1 → HIGH_RISING | | |
| 6 | ENABLE: Set to 1 to enable the wakeup source. Set to 0 to disable the wakeup source and clear a pending wakeup event. If using edge detect a latched edge needs to be cleared by writing 1 to the status register also. | RW | 0x0 |
| 5:0 | SOURCE | RW | 0x3f |

POWMAN: PWRUP2 Register

Offset: 0x94

Description

4 GPIO powerup events can be configured to wake the chip up from a low power state. The pwrups are level/edge sensitive and can be set to trigger on a high/rising or low/falling event. The number of gpios available depends on the package option. An invalid selection will be ignored.

source = 0 selects gpio0

- 1. +
- 2. + source = 47 selects gpio47
- source = 48 selects qspi_ss
- source = 49 selects qspi_sd0
- source = 50 selects qspi_sd1
- source = 51 selects qspi_sd2
- source = 52 selects qspi_sd3
- source = 53 selects qspi_sclk
- level = 0 triggers the pwrup when the source is low

level = 1 triggers the pwrup when the source is high

Table 515. PWRUP2 Register

| Bits | Description | Type | Reset |
|-------|---|------|-------|
| 31:11 | Reserved. | - | - |
| 10 | RAW_STATUS: Value of selected gpio pin (only if enable == 1) | RO | 0x0 |
| 9 | STATUS: Status of gpio wakeup. Write to 1 to clear a latched edge detect. | WC | 0x0 |
| 8 | MODE: Edge or level detect. Edge will detect a 0 to 1 transition (or 1 to 0 transition). Level will detect a 1 or 0. Both types of event get latched into the current_pwrup_req register. | RW | 0x0 |
| | Enumerated values: | | |
| | 0x0 → LEVEL | | |
| | 0x1 → EDGE | | |
| 7 | DIRECTION | RW | 0x0 |
| | Enumerated values: | | |
| | 0x0 → LOW_FALLING | | |
| | 0x1 → HIGH_RISING | | |
| 6 | ENABLE: Set to 1 to enable the wakeup source. Set to 0 to disable the wakeup source and clear a pending wakeup event. If using edge detect a latched edge needs to be cleared by writing 1 to the status register also. | RW | 0x0 |
| 5:0 | SOURCE | RW | 0x3f |

POWMAN: PWRUP3 Register

Offset: 0x98

Description

4 GPIO powerup events can be configured to wake the chip up from a low power state.

The pwrups are level/edge sensitive and can be set to trigger on a high/rising or low/falling event

The number of gpios available depends on the package option. An invalid selection will be ignored

source = 0 selects gpio0

1. +
2. + source = 47 selects gpio47
 source = 48 selects qspi_ss
 source = 49 selects qspi_sd0
 source = 50 selects qspi_sd1
 source = 51 selects qspi_sd2
 source = 52 selects qspi_sd3
 source = 53 selects qspi_sclk
 level = 0 triggers the pwrup when the source is low
 level = 1 triggers the pwrup when the source is high

Table 516. PWRUP3 Register

| Bits | Description | Type | Reset |
|-------|--|------|-------|
| 31:11 | Reserved. | - | - |
| 10 | RAW_STATUS: Value of selected gpio pin (only if enable == 1) | RO | 0x0 |
| 9 | STATUS: Status of gpio wakeup. Write to 1 to clear a latched edge detect. | WC | 0x0 |

| Bits | Description | Type | Reset |
|------|---|------|-------|
| 8 | MODE: Edge or level detect. Edge will detect a 0 to 1 transition (or 1 to 0 transition). Level will detect a 1 or 0. Both types of event get latched into the current_pwrup_req register. | RW | 0x0 |
| | Enumerated values: | | |
| | 0x0 → LEVEL | | |
| | 0x1 → EDGE | | |
| 7 | DIRECTION | RW | 0x0 |
| | Enumerated values: | | |
| | 0x0 → LOW_FALLING | | |
| | 0x1 → HIGH_RISING | | |
| 6 | ENABLE: Set to 1 to enable the wakeup source. Set to 0 to disable the wakeup source and clear a pending wakeup event. If using edge detect a latched edge needs to be cleared by writing 1 to the status register also. | RW | 0x0 |
| 5:0 | SOURCE | RW | 0x3f |

POWMAN: CURRENT_PWRUP_REQ Register

Offset: 0x9c

Table 517.
CURRENT_PWRUP_REQ Register

| Bits | Description | Type | Reset |
|------|---|------|-------|
| 31:7 | Reserved. | - | - |
| 6:0 | Indicates current powerup request state pwrup events can be cleared by removing the enable from the pwrup register. The alarm pwrup req can be cleared by clearing timer.alarm_enab 0 = chip reset, for the source of the last reset see POWMAN_CHIP_RESET 1 = pwrup0 2 = pwrup1 3 = pwrup2 4 = pwrup3 5 = coresight_pwrup 6 = alarm_pwrup | RO | 0x00 |

POWMAN: LAST_SWCORE_PWRUP Register

Offset: 0xa0

Table 518.
LAST_SWCORE_PWRU
P Register

| Bits | Description | Type | Reset |
|------|--|------|-------|
| 31:7 | Reserved. | - | - |
| 6:0 | Indicates which pwrup source triggered the last switched-core power up 0 = chip reset, for the source of the last reset see POWMAN_CHIP_RESET 1 = pwrup0 2 = pwrup1 3 = pwrup2 4 = pwrup3 5 = coresight_pwrup 6 = alarm_pwrup | RO | 0x00 |

POWMAN: DBG_PWRCFG Register

Offset: 0xa4

Table 519.
DBG_PWRCFG
Register

| Bits | Description | Type | Reset |
|------|---|------|-------|
| 31:1 | Reserved. | - | - |
| 0 | IGNORE: Ignore pwrup req from debugger. If pwrup req is asserted then this will prevent power down and set powerdown blocked. Set ignore to stop paying attention to pwrup_req | RW | 0x0 |

POWMAN: BOOTDIS Register

Offset: 0xa8

Description

Tell the bootrom to ignore the BOOT0..3 registers following the next RSM reset (e.g. the next core power down/up).

If an early boot stage has soft-locked some OTP pages in order to protect their contents from later stages, there is a risk that Secure code running at a later stage can unlock the pages by powering the core up and down.

This register can be used to ensure that the bootloader runs as normal on the next power up, preventing Secure code at a later stage from accessing OTP in its unlocked state.

Should be used in conjunction with the OTP BOOTDIS register.

Table 520. BOOTDIS
Register

| Bits | Description | Type | Reset |
|------|---|------|-------|
| 31:2 | Reserved. | - | - |
| 1 | NEXT: This flag always ORs writes into its current contents. It can be set but not cleared by software. The BOOTDIS_NEXT bit is OR'd into the BOOTDIS_NOW bit when the core is powered down. Simultaneously, the BOOTDIS_NEXT bit is cleared. Setting this bit means that the BOOT0..3 registers will be ignored following the next reset of the RSM by powman. This flag should be set by an early boot stage that has soft-locked OTP pages, to prevent later stages from unlocking it by power cycling. | RW | 0x0 |

| Bits | Description | Type | Reset |
|------|---|------|-------|
| 0 | <p>NOW: When powman resets the RSM, the current value of BOOTDIS_NEXT is OR'd into BOOTDIS_NOW, and BOOTDIS_NEXT is cleared.</p> <p>The bootrom checks this flag before reading the BOOT0..3 registers. If it is set, the bootrom clears it, and ignores the BOOT registers. This prevents Secure software from diverting the boot path before a bootloader has had the chance to soft lock OTP pages containing sensitive data.</p> | WC | 0x0 |

POWMAN: DBGCONFIG Register

Offset: 0xac

Table 521. DBGCONFIG Register

| Bits | Description | Type | Reset |
|------|--|------|-------|
| 31:4 | Reserved. | - | - |
| 3:0 | <p>DP_INSTID: Configure DP instance ID for SWD multidrop selection. Recommend that this is NOT changed until you require debug access in multi-chip environment</p> | RW | 0x0 |

POWMAN: SCRATCH0, SCRATCH1, ..., SCRATCH6, SCRATCH7 Registers

Offsets: 0xb0, 0xb4, ..., 0xc8, 0xcc

Table 522. SCRATCH0, SCRATCH1, ..., SCRATCH6, SCRATCH7 Registers

| Bits | Description | Type | Reset |
|------|--|------|------------|
| 31:0 | Scratch register. Information persists in low power mode | RW | 0x00000000 |

POWMAN: BOOT0, BOOT1, BOOT2, BOOT3 Registers

Offsets: 0xd0, 0xd4, 0xd8, 0xdc

Table 523. BOOT0, BOOT1, BOOT2, BOOT3 Registers

| Bits | Description | Type | Reset |
|------|--|------|------------|
| 31:0 | Scratch register. Information persists in low power mode | RW | 0x00000000 |

POWMAN: INTR Register

Offset: 0xe0

Description

Raw Interrupts

Table 524. INTR Register

| Bits | Description | Type | Reset |
|------|---|------|-------|
| 31:4 | Reserved. | - | - |
| 3 | PWRUP_WHILE_WAITING: Source is state.pwrup_while_waiting | RO | 0x0 |
| 2 | STATE_REQ_IGNORED: Source is state.req_ignored | RO | 0x0 |
| 1 | TIMER | RO | 0x0 |
| 0 | VREG_OUTPUT_LOW | WC | 0x0 |

POWMAN: INTE Register

Offset: 0xe4

Description

Interrupt Enable

Table 525. INTE Register

| Bits | Description | Type | Reset |
|------|--|------|-------|
| 31:4 | Reserved. | - | - |
| 3 | PWRUP_WHILE_WAITING : Source is state.pwrup_while_waiting | RW | 0x0 |
| 2 | STATE_REQ_IGNORED : Source is state.req_ignored | RW | 0x0 |
| 1 | TIMER | RW | 0x0 |
| 0 | VREG_OUTPUT_LOW | RW | 0x0 |

POWMAN: INTF Register

Offset: 0xe8

Description

Interrupt Force

Table 526. INTF Register

| Bits | Description | Type | Reset |
|------|--|------|-------|
| 31:4 | Reserved. | - | - |
| 3 | PWRUP_WHILE_WAITING : Source is state.pwrup_while_waiting | RW | 0x0 |
| 2 | STATE_REQ_IGNORED : Source is state.req_ignored | RW | 0x0 |
| 1 | TIMER | RW | 0x0 |
| 0 | VREG_OUTPUT_LOW | RW | 0x0 |

POWMAN: INTS Register

Offset: 0xec

Description

Interrupt status after masking & forcing

Table 527. INTS Register

| Bits | Description | Type | Reset |
|------|--|------|-------|
| 31:4 | Reserved. | - | - |
| 3 | PWRUP_WHILE_WAITING : Source is state.pwrup_while_waiting | RO | 0x0 |
| 2 | STATE_REQ_IGNORED : Source is state.req_ignored | RO | 0x0 |
| 1 | TIMER | RO | 0x0 |
| 0 | VREG_OUTPUT_LOW | RO | 0x0 |

6.5. Power reduction strategies

RP2350 retains the SLEEP and DORMANT states for dynamic power control from RP2040. It extends these states by introducing power domains (Section 6.2.1), which allow power to be removed from various components on chip, virtually eliminating the leakage currents, and allowing lower power modes to be supported.

6.5.1. Top-level clock gates

Each clock domain (for example, the system clock) may drive a large number of distinct hardware blocks, not all of which might be required at once. To avoid unnecessary power dissipation, each individual endpoint of each clock (for example, the UART system clock input) may be disabled at any time.

Enabling and disabling a clock gate is glitch-free. If a peripheral clock is temporarily disabled, and subsequently re-enabled, the peripheral will be in the same state as prior to the clock being disabled. No reset or reinitialisation should be required.

Clock gates are controlled by two sets of registers: the `WAKE_ENx` registers (starting at `WAKE_EN0`) and `SLEEP_ENx` registers (starting at `SLEEP_EN0`). These two sets of registers are identical at the bit level, each possessing a flag to control each clock endpoint. The `WAKE_EN` registers specify which clocks are enabled whilst the system is awake, and the `SLEEP_ENx` registers select which clocks are enabled while the processor is in the SLEEP state (Section 6.5.2).

The two processors do not have externally-controllable clock gates. Instead, the processors gate the clocks of their subsystems autonomously, based on execution of `WFI/WFE` instructions, and external Event and IRQ signals.

6.5.2. SLEEP state

RP2350 enters the SLEEP state when all of the following are true:

- Both processors are asleep (e.g. in a `WFE` or `WFI` instruction)
- The system DMA has no outstanding transfers on any channel

RP2350 exits the SLEEP state when either processor is awoken by an interrupt.

When in the SLEEP state, the top-level clock gates are masked by the `SLEEP_ENx` registers (starting at `SLEEP_EN0`), rather than the `WAKE_ENx` registers (starting at `WAKE_EN0`). This permits more aggressive pruning of the clock tree when the processors are asleep.

i NOTE

Though it is possible for a clock to be enabled during SLEEP and disabled outside of SLEEP, this is generally not useful.

For example, if the system is sleeping until a character interrupt from a UART, the entire system except for the UART can be clock-gated (`SLEEP_ENx` = all-zeroes except for `CLK_SYS_UART0` and `CLK_PERI_UART0`). This includes system infrastructure such as the bus fabric.

When the UART asserts its interrupt and wakes a processor, RP2350 leaves SLEEP mode and switches back to the `WAKE_ENx` clock mask. At the minimum, this should include the bus fabric and the memory devices containing the processor's stack and interrupt vectors.

A system-level clock request handshake holds the processors off the bus until the clocks are re-enabled.

6.5.3. DORMANT state

The DORMANT state is a true zero-dynamic-power sleep state, where all clocks (and all oscillators) are disabled. The system can awake from the DORMANT state upon a GPIO event (high/low level or rising/falling edge), or an AON Timer alarm: this restarts one of the oscillators (either ring oscillator or crystal oscillator) and ungates the oscillator output after it is stable. System state is retained, so code execution resumes immediately upon leaving the DORMANT state.

If relying on the AON Timer (Section 12.10) to wake from the DORMANT state, the AON Timer must run from the LPOSC or an external clock source. The AON Timer accepts clock frequencies as low as 1Hz.

DORMANT does not halt PLLs. To avoid unnecessary power dissipation, software should power down PLLs before entering the DORMANT state, and power up and reconfigure the PLLs again after exiting.

If you halt the crystal oscillator (XOSC), you must also halt the PLLs to prevent them losing lock when their input reference clock stops. The PLL VCO may behave erratically when the frequency reference is lost, such as increasing to a very high frequency. Reconfigure and re-enable the PLLs after the XOSC starts again. Do not attempt to run clocks from the PLLs while the XOSC is stopped.

The DORMANT state is entered by writing a keyword to the DORMANT register in whichever oscillator is active: ring oscillator (Section 8.3) or crystal oscillator (Section 8.2). If both are active, the one providing the processor clock must be stopped last because it will stop software from executing.

6.5.3.1. Waking from the DORMANT state

The system exits the DORMANT state on any of the following events:

- an alarm from the AON Timer which causes `TIMER.ALARM` to assert
- the assertion of an interrupt from GPIO Bank 0 to the `DORMANT_WAKE` interrupt destination
- the assertion of an interrupt from GPIO Bank 1 to the `DORMANT_WAKE` interrupt destination

When waking from the AON Timer you do not have to enable the IRQ output from POWMAN. It is sufficient for the timer to fire, without being mapped to an interrupt output. Any AON Timer alarm comparison event which causes `TIMER.ALARM` to assert causes the system to exit the DORMANT state. It is the actual alarm event which causes the exit, not the `TIMER.ALARM` status; if you enter the DORMANT state with the `TIMER.ALARM` status set to 1, but the timer alarm comparison logic *disabled* by `TIMER.ALARM_ENAB`, you will not exit the DORMANT state.

The GPIO Bank registers have interrupt enable registers for interrupts targeting the DORMANT mode wake logic, such as `DORMANT_WAKE_INTE0`. These are identical to the interrupt enable registers for interrupts targeting the processors, such as `PROCO_INTE0`.

Waking from the DORMANT state restarts the oscillator which was disabled by entry to the DORMANT state. It does not restart any other oscillators, or change any system-level clock configuration.

6.5.4. Memory periphery power down

The main system memories (`SRAM0` → `SRAM9`, mapped to bus addresses `0x20000000` to `0x20081fff`), as well as the USB DPRAM, can be partially powered down via the `MEMPOWERDOWN` register in the SYSCFG registers (see Section 12.15.2). This powers down the analogue circuitry used to access the SRAM storage array (the **periphery** of the SRAM) but the storage array itself remains powered. Memories retain their current contents, but cannot be accessed. Static power is reduced.

CAUTION

Memories must not be accessed when powered down. Doing so can corrupt memory contents.

When powering a memory back up, a 20ns delay is required before accessing the memory again.

The XIP cache (see Section 4.4) can also be powered down, with `CTRL.POWER_DOWN`. The XIP hardware will not generate cache accesses whilst the cache is powered down. Note that this is unlikely to produce a net power savings if code continues to execute from XIP, due to the comparatively high voltages and switching capacitances of the external QSPI bus.

6.5.5. Full memory power down

RP2350 can completely power down its internal SRAM. Unlike the memory periphery power down described in Section 6.5.4, this completely disconnects the SRAM from the power supply, reducing static power to near zero.

Contents are lost when fully powering down memories. When you power memories up again following a power down,

the contents is completely undefined.

There are three distinct SRAM power domains:

SRAM0

Contains main system SRAM for addresses `0x20000000` through `0x2003ffff` (SRAM banks 0 through 3).

SRAM1

Contains main system SRAM for addresses `0x20040000` through `0x20081fff` (SRAM banks 4 through 9).

XIP

Contains the XIP cache and the boot RAM.

The XIP power domain is always powered when the switched core domain is powered. The switched core domain is the domain which includes all core logic, such as processors, bus fabric and peripherals. This means the memories in this domain are always powered whenever software is running.

Besides powering memory down to save power, you can also leave memories powered *up* whilst powering down the switched core domain. This retains program state in SRAM while eliminating static power dissipation in core logic.

For more information see:

- [Chapter 4](#) for a list of RP2350 memory resources, including main system SRAM, the XIP cache and boot RAM
- [Section 6.2.1](#) for the definition of core power domains, including the memory power domains enumerated above
- [Section 6.2.2](#) for the list of supported memory power states
- [Section 6.2.3](#) for information on initiating power state transitions to power memories up or down
- [Section 14.9.7.2](#) for typical power consumption in low-power states including memory power down

6.5.6. Programmer's model

6.5.6.1. Sleep

The `hello_sleep` example ([hello_sleep_aon.c in the pico-playground GitHub repository](#)) demonstrates sleep mode. The `hello_sleep` application (and underlying functions) takes the following steps:

1. Switches all clocks in the system to run from XOSC.
2. Configures an alarm in the AON Timer for 10 seconds in the future.
3. Sets the AON Timer clock as the only clock running in sleep mode using the `SLEEP_ENx` registers (see `SLEEP_EN0`).
4. Enables deep sleep in the processor.
5. Calls `__wfi` on processor, which will put the processor into deep sleep until woken by the AON Timer interrupt.
6. After 10 seconds, the AON Timer interrupt clears the alarm and then calls a user supplied callback function.
7. The callback function ends the example application.

i NOTE

To enter sleep mode, you must enable deep sleep on both `proc0` and `proc1`, call `__wfi`, and ensure the DMA is stopped.

`hello_sleep` makes use of functions in `pico_sleep` of the [Pico Extras](#). In particular, `sleep_goto_sleep_until` puts the processor to sleep until woken up by an AON Timer time assumed to be in the future.

Pico Extras: https://github.com/raspberrypi/pico-extras/blob/master/src/rp2_common/pico_sleep/sleep.c Lines 159 - 183

```

159 void sleep_goto_sleep_until(struct timespec *ts, aon_timer_alarm_handler_t callback)
160 {
161
162     // We should have already called the sleep_run_from_dormant_source function
163     // This is only needed for dormancy although it saves power running from xosc while
    sleeping
164     //assert(dormant_source_valid(_dormant_source));
165
166     clocks_hw->sleep_en0 = CLOCKS_SLEEP_EN0_CLK_REF_POWMAN_BITS;
167     clocks_hw->sleep_en1 = 0x0;
168
169     aon_timer_enable_alarm(ts, callback, false);
170
171     stdio_flush();
172
173     // Enable deep sleep at the proc
174     processor_deep_sleep();
175
176     // Go to sleep
177     __wfi();
178 }

```

6.5.6.2. DORMANT

The `hello_dormant` example, `hello_dormant_gpio.c` in the [pico-playground GitHub repository](#), demonstrates the DORMANT state. The example takes the following steps:

1. Switches all clocks in the system to run from XOSC.
2. Configures a GPIO interrupt for the `dormant_wake` hardware, which can wake both the ROSC and XOSC from dormant mode.
3. Puts the XOSC into dormant mode, which stops all processor execution (and all other clocked logic on the chip) immediately.
4. When GPIO 10 goes high, the XOSC restarts and program execution continues.

`hello_dormant` uses `sleep_goto_dormant_until_pin` under the hood:

Pico Extras: https://github.com/raspberrypi/pico-extras/blob/master/src/rp2_common/pico_sleep/sleep.c Lines 258 - 282

```

258 void sleep_goto_dormant_until_pin(uint gpio_pin, bool edge, bool high) {
259     bool low = !high;
260     bool level = !edge;
261
262     // Configure the appropriate IRQ at IO bank 0
263     assert(gpio_pin < NUM_BANK0_GPIOS);
264
265     uint32_t event = 0;
266
267     if (level && low) event = IO_BANK0_DORMANT_WAKE_INTE0_GPIO0_LEVEL_LOW_BITS;
268     if (level && high) event = IO_BANK0_DORMANT_WAKE_INTE0_GPIO0_LEVEL_HIGH_BITS;
269     if (edge && high) event = IO_BANK0_DORMANT_WAKE_INTE0_GPIO0_EDGE_HIGH_BITS;
270     if (edge && low) event = IO_BANK0_DORMANT_WAKE_INTE0_GPIO0_EDGE_LOW_BITS;
271
272     gpio_init(gpio_pin);
273     gpio_set_input_enabled(gpio_pin, true);
274     gpio_set_dormant_irq_enabled(gpio_pin, event, true);
275 }

```

```
276     _go_dormant();
277     // Execution stops here until woken up
278
279     // Clear the irq so we can go back to dormant mode again if we want
280     gpio_acknowledge_irq(gpio_pin, event);
281     gpio_set_input_enabled(gpio_pin, false);
282 }
```

Chapter 7. Resets

7.1. Overview

Resets are divided into three categories, each of which applies to a subset of RP2350:

Chip-level resets

apply to the entire chip. Used to put the entire chip into a default state. These are initiated by hardware events, the watchdog, or the debugger. When all chip level resets are de-asserted, the system resets are released and the processors boot.

System resets

apply to components essential to processor operation. System components have interdependencies, therefore their resets are de-asserted in sequence by the Power-on State Machine (PSM). The full PSM sequence is triggered by deassertion of chip-level resets. A full or partial sequence can be triggered by the watchdog or debugger. The sequence culminates in processor boot.

Subsystem resets

apply to components *not* essential for operation of the processors. The resets can be independently asserted by writing to the **RESETS** registers and de-asserted by software, the watchdog, or the debugger.

The watchdog can be programmed to trigger any of the above categories.

7.2. Changes from RP2040

RP2350 retains all RP2040 chip-level reset features.

RP2350 adds the following features:

- new chip reset sources:
 - glitch detector
 - watchdog
 - debugger
- new destinations:
 - new power management components

RP2350 makes the following modifications to existing features:

- Modified the **CHIP_RESET** register, which records the source of the last chip level reset. In RP2040, **CHIP_RESET** was stored in the **LDO_POR** register block. In RP2350, **CHIP_RESET** was extended and moved to the **POWMAN** register block, which is in the new always-on power domain (**AON**).
- Renamed the brownout reset (**BOR**) registers to brownout detect (**BOD**), added functionality, and moved them to the new **POWLMAN** register block.
- Added more system reset stages. To support this, added additional Power-on State Machine fields and rearranged the existing fields.
- Added additional **RESETS** registers and rearranged the existing fields.
- Extended watchdog options to enable triggers for new resets.

NOTE

Watchdog scratch registers are not preserved when the watchdog triggers a chip-level reset. However, watchdog scratch registers are preserved after a system or subsystem reset. For general purpose scratch registers that do *not* reset after a chip-level reset, see the **POWMAN** register block [Section 6.4, “Power management \(POWMAN\) registers”](#).

7.3. Chip-level resets

Chip-level resets put the entire chip into a default state. These resets are only initiated by hardware events, the debugger, or a watchdog timeout.

7.3.1. Chip-level reset table

[Table 528, “List of chip-level reset causes”](#) shows the components reset by each of the chip-level reset sources. A dash (–) indicates no change caused by this source.

Table 528. List of chip-level reset causes

| Reset Source | SW-DP | AON Scratch | POWMAN | Power State | Double Tap | Rescue |
|-----------------------------|-------|-------------|------------|-------------|------------|--------|
| POR | reset | reset | hard reset | → P0.0 | reset | reset |
| BOR | reset | reset | hard reset | → P0.0 | reset | reset |
| EXTERNAL RESET (RUN) | reset | reset | hard reset | → P0.0 | – | reset |
| DEBUGGER RESET REQ | – | – | hard reset | → P0.0 | – | reset |
| DEBUGGER RESCUE | – | – | hard reset | → P0.0 | – | set |
| WATCHDOG POWMAN ASYNC RESET | – | – | hard reset | → P0.0 | – | – |
| WATCHDOG POWMAN RESET | – | – | soft reset | → P0.0 | – | – |
| WATCHDOG SWCORE RESET | – | – | – | → P0.0 | – | – |
| SWCORE POWERDOWN | – | – | – | → P0.x | – | – |
| GLITCH_DETECTOR | – | – | – | – | – | – |
| WATCHDOG RESET PSM | – | – | – | – | – | – |

All chip-level resets sources in the table also reset the Power-on State Machine (PSM). This asserts all of the system resets downstream of the PSM. System resets includes low-level chip infrastructure like the system-level clock generators, as well as the processor cold and warm reset domains.

All chip-level reset sources in the table also reset the system watchdog peripheral. This includes watchdog scratch registers [SCRATCH0](#) → [SCRATCH7](#).

You can interpret the table columns as follows:

Reset Source

Indicates which of the events listed in [Chip-level Reset Sources](#) is responsible for this chip-level reset.

SW-DP

Indicates the SWD Debug Port and the RP-AP ([Section 3.5.10, “RP-AP”](#)) are reset.

AON Scratch

Indicates scratch register state in POWMAN [SCRATCH0](#) → [SCRATCH7](#) and [BOOT0](#) → [BOOT3](#) registers is lost. These registers are always-on, meaning they are preserved across power-down of the switched core domain.

POWMAN

Indicates some or all of the register state of the power manager (POWMAN) is reset.

Power State

Indicates a change to the powered/unpowered status of core voltage domains.

Double Tap

Indicates the `CHIP_RESET.DOUBLE_TAP` bit is reset.

Rescue

Indicates changes to the `CHIP_RESET.RESCUE_FLAG` bit.

7.3.2. Chip-level reset destinations

Chip-level resets apply to the following primary components:

- the SW-DP and RP-AP debug components
- power manager scratch and boot registers
- power manager including the always-on timer
- power state (restored to state `P0.0`, in which all domains are powered, see [Section 6.2.2, “Power states”](#))
- system resets (any chip-level reset triggers the PSM (power-on state machine), which sequences the system resets, see [Section 7.4, “System resets \(Power-on State Machine\)”](#))
- watchdog (reset by any chip-level reset, including one triggered by the watchdog)

Chip-level resets also reset the following two `CHIP_RESET` register flags:

- `CHIP_RESET.DOUBLE_TAP`: the bootrom can use this flag to detect a double-press of a button connected to the RUN pin, and enter the USB or UART bootloader. See the `BOOT_FLAGS1.DOUBLE_TAP` OTP flag.
- `CHIP_RESET.RESCUE_FLAG`: this flag instructs the bootrom to halt the boot process. The bootrom clears the flag to acknowledge. You can use this to perform a full-system reset from almost any state (particularly ones where all system clocks are stopped), and catch the processors before they re-run the code that caused the bad state.

i NOTE

When the SW-DP and RP-AP are out of reset, you can use them to perform low-level debug operations like a rescue reset or a forced power-up over SWD. However accessing any other debug hardware, such as the Mem-APs, requires the system clock to be running.

i NOTE

These flags are located in the `CHIP_RESET` register in the POWMAN register space, so they are included in the always-on (AON) power domain.

7.3.3. Chip-level reset sources

In order of severity, the following events can trigger a chip-level reset:

Power-On Reset (POR)

The power-on reset ensures the chip starts up cleanly when power is first applied by holding it in reset until the digital core supply (DVDD) reaches a voltage high enough to reliably power the chip's core logic. The POR component is described in detail in [Section 7.6.1, “Power-on reset \(POR\)”](#).

Brownout Detection (BOD)

The brownout detector prevents unreliable operation when the digital core supply (DVDD) drops below a safe operating level. The BOD component is described in detail in [Section 7.6.2, “Brownout detection \(BOD\)”](#). The reset asserted by the BOD is referred to as the brownout reset, or BOR.

External Reset

The chip can be reset by taking the **RUN** pin low. This holds the chip in reset irrespective of the state of the core power supply (DVDD), the power-on reset block, and brownout detection block. **RUN** can be used to extend the initial power-on reset, or can be driven from an external source to start and stop the chip as required. If **RUN** is not used, it should be tied high. Double-tapping the **RUN** low will set **CHIP_RESET.DOUBLE_TAP**. Boot code reads this flag and selects an alternate boot sequence if the flag is set.

Debugger Reset Request

The debugger is able to initiate a chip-level reset using the **CDBGPWRUPREQ** control. For more information, see [Section 3.5, “Debug”](#).

Rescue Debug Port Reset

The chip can also be reset via the Rescue Debug Port. This allows the chip to be recovered from a locked-up state. In addition to resetting the chip, a Rescue Debug Port reset also sets **CHIP_RESET.RESCUE_FLAG**. This is checked by boot code at startup, causing it to enter a safe state if the bit is set. See [Section 3.5.8, “Rescue reset”](#) for more information.

Watchdog

The watchdog can trigger various levels of chip-level reset by setting appropriate bits in the **WDSEL** register. A chip-level reset triggered by a watchdog reset will reset the watchdog and the watchdog scratch registers. Additional general purpose scratch registers are available in **POWMAN**. These are not reset by a chip-level reset triggered by the watchdog.

SWCORE Powerdown

For a list of operations that power down the switched-core power domain (SWCORE) and trigger this reset, see [Section 6.2, “Power management”](#).

Glitch Detector

This reset fires if a glitch is detected in SWCORE power supply. For more information, see [Section 10.9, “Glitch detector”](#).

RISC-V Non-Debug-Module Reset

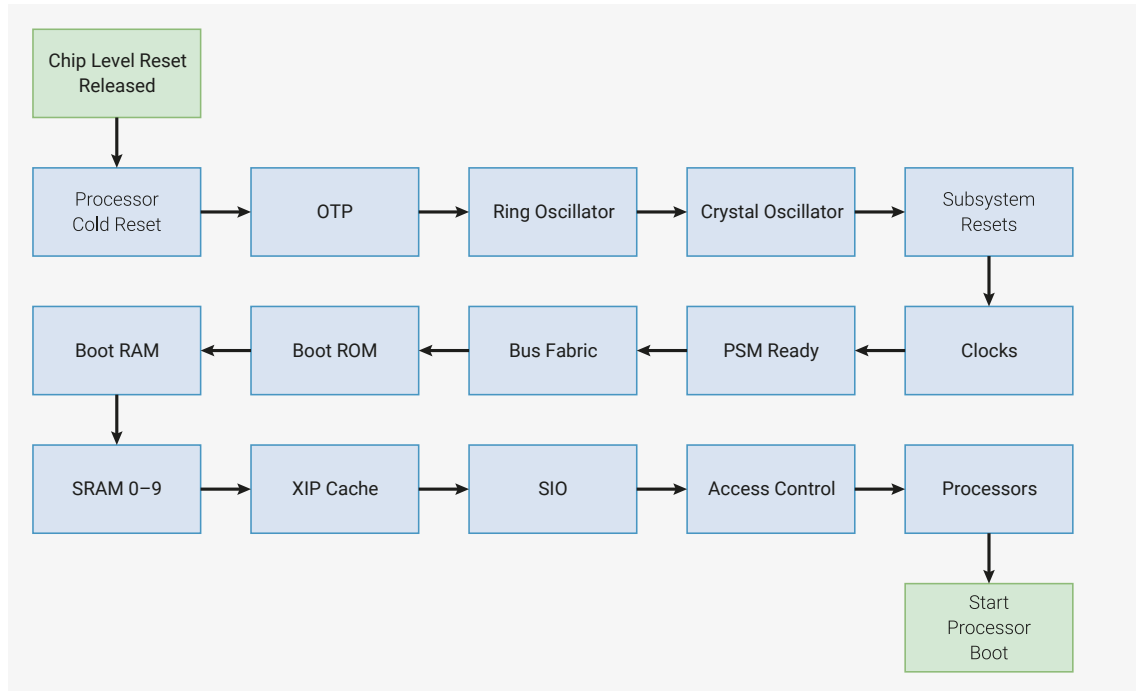
The **dmcontrol.ndmreset** bit in the RISC-V Debug Module resets all RISC-V harts in the system. It resets no other hardware. However, it is recorded as a chip-level reset reason in **CHIP_RESET.HAD_HZD_SYS_RESET_REQ**. See [Section 3.5.3, “RISC-V debug”](#) for details of the RISC-V debug subsystem.

The source of the last chip-level reset is recorded in the **CHIP_RESET** register.

A complete list of **POWMAN** registers is provided in [Section 6.4, “Power management \(POWMAN\) registers”](#).

7.4. System resets (Power-on State Machine)

Figure 27. Power-on State Machine Sequence



System Resets apply to components essential to processor operation. System components have interdependencies, therefore their resets are de-asserted in sequence by the Power-on State Machine (PSM). Each stage of the sequencer outputs a reset done signal when complete, `rst_done`, which releases the reset input to the next stage. A partial sequence runs after a write to the `FRCE_OFF` register or a watchdog timeout. Note that the `FRCE_ON` register is intended for internal use only and is disabled in production devices.

The Power-on State Machine sequences system-level reset release following a power-up of the switched core power domain. It is distinct from the power manager (POWMAN) which controls power domain switching, see [Section 6.2, “Power management”](#).

7.4.1. Reset sequence

Following a chip-level reset, the Power-on State Machine (PSM):

1. Removes cold reset to processors.
2. Takes OTP out of reset. OTP reads any content required to boot and asserts `rst_done`.
3. Starts the Ring Oscillator. Asserts `rst_done` once the oscillator output is stable.
4. Removes Crystal Oscillator (XOSC) controller reset. The XOSC does not start yet, so `rst_done` is asserted immediately.
5. Deasserts the master subsystem reset, but does not remove individual subsystem resets.
6. Starts the `clk_ref` and `clk_sys` clock generators. In the initial configuration, `clk_ref` runs from the ring oscillator with no divider and `clk_sys` runs from `clk_ref`.
7. The PSM confirms the clocks are active.
8. Removes Bus Fabric reset and initialises logic.
9. Removes various memory controllers' resets and initialises logic.
10. Removes Single-cycle IO subsystem (SIO) reset and initialises logic.
11. Removes Access Controller reset and initialises logic.
12. Deasserts Processor Complex reset. Both core 0 and core 1 start executing the boot code from ROM. The boot code reads the core id and core 1 sleeps, leaving core 0 to continue bootrom execution.

Following a watchdog reset trigger, the PSM restarts from a point selected by the PSM [WDSEL](#) register.

7.4.2. Register control

The PSM is a fully automated piece of hardware: it requires no input from the user to work. The debugger can trigger a full or partial sequence by writing to the [FRCE_OFF](#) register. The [FRCE_ON](#) register is a development feature that does nothing in production devices.

7.4.3. Interaction with watchdog

The watchdog can trigger a full or partial sequence by writing to the [WDSEL](#) register.

7.4.4. List of registers

The PSM registers start at a base address of [0x40018000](#) (defined as [PSM_BASE](#) in SDK).

Table 529. List of PSM registers

| Offset | Name | Info |
|--------|--------------------------|---|
| 0x0 | FRCE_ON | Force block out of reset (i.e. power it on) |
| 0x4 | FRCE_OFF | Force into reset (i.e. power it off) |
| 0x8 | WDSEL | Set to 1 if the watchdog should reset this |
| 0xc | DONE | Is the subsystem ready? |

PSM: [FRCE_ON](#) Register

Offset: 0x0

Description

Force block out of reset (i.e. power it on)

Table 530. [FRCE_ON](#) Register

| Bits | Description | Type | Reset |
|-------|-------------------|------|-------|
| 31:25 | Reserved. | - | - |
| 24 | PROC1 | RW | 0x0 |
| 23 | PROC0 | RW | 0x0 |
| 22 | ACCESSCTRL | RW | 0x0 |
| 21 | SIO | RW | 0x0 |
| 20 | XIP | RW | 0x0 |
| 19 | SRAM9 | RW | 0x0 |
| 18 | SRAM8 | RW | 0x0 |
| 17 | SRAM7 | RW | 0x0 |
| 16 | SRAM6 | RW | 0x0 |
| 15 | SRAM5 | RW | 0x0 |
| 14 | SRAM4 | RW | 0x0 |
| 13 | SRAM3 | RW | 0x0 |
| 12 | SRAM2 | RW | 0x0 |

| Bits | Description | Type | Reset |
|------|-------------|------|-------|
| 11 | SRAM1 | RW | 0x0 |
| 10 | SRAM0 | RW | 0x0 |
| 9 | BOOTRAM | RW | 0x0 |
| 8 | ROM | RW | 0x0 |
| 7 | BUSFABRIC | RW | 0x0 |
| 6 | PSM_READY | RW | 0x0 |
| 5 | CLOCKS | RW | 0x0 |
| 4 | RESETS | RW | 0x0 |
| 3 | XOSC | RW | 0x0 |
| 2 | ROSC | RW | 0x0 |
| 1 | OTP | RW | 0x0 |
| 0 | PROC_COLD | RW | 0x0 |

PSM: FRCE_OFF Register

Offset: 0x4

Description

Force into reset (i.e. power it off)

Table 531. FRCE_OFF Register

| Bits | Description | Type | Reset |
|-------|-------------|------|-------|
| 31:25 | Reserved. | - | - |
| 24 | PROC1 | RW | 0x0 |
| 23 | PROC0 | RW | 0x0 |
| 22 | ACCESSCTRL | RW | 0x0 |
| 21 | SIO | RW | 0x0 |
| 20 | XIP | RW | 0x0 |
| 19 | SRAM9 | RW | 0x0 |
| 18 | SRAM8 | RW | 0x0 |
| 17 | SRAM7 | RW | 0x0 |
| 16 | SRAM6 | RW | 0x0 |
| 15 | SRAM5 | RW | 0x0 |
| 14 | SRAM4 | RW | 0x0 |
| 13 | SRAM3 | RW | 0x0 |
| 12 | SRAM2 | RW | 0x0 |
| 11 | SRAM1 | RW | 0x0 |
| 10 | SRAM0 | RW | 0x0 |
| 9 | BOOTRAM | RW | 0x0 |
| 8 | ROM | RW | 0x0 |

| Bits | Description | Type | Reset |
|------|------------------|------|-------|
| 7 | BUSFABRIC | RW | 0x0 |
| 6 | PSM_READY | RW | 0x0 |
| 5 | CLOCKS | RW | 0x0 |
| 4 | RESETS | RW | 0x0 |
| 3 | XOSC | RW | 0x0 |
| 2 | ROSC | RW | 0x0 |
| 1 | OTP | RW | 0x0 |
| 0 | PROC_COLD | RW | 0x0 |

PSM: WDSSEL Register

Offset: 0x8

Description

Set to 1 if the watchdog should reset this

Table 532. WDSSEL Register

| Bits | Description | Type | Reset |
|-------|-------------------|------|-------|
| 31:25 | Reserved. | - | - |
| 24 | PROC1 | RW | 0x0 |
| 23 | PROC0 | RW | 0x0 |
| 22 | ACCESSCTRL | RW | 0x0 |
| 21 | SIO | RW | 0x0 |
| 20 | XIP | RW | 0x0 |
| 19 | SRAM9 | RW | 0x0 |
| 18 | SRAM8 | RW | 0x0 |
| 17 | SRAM7 | RW | 0x0 |
| 16 | SRAM6 | RW | 0x0 |
| 15 | SRAM5 | RW | 0x0 |
| 14 | SRAM4 | RW | 0x0 |
| 13 | SRAM3 | RW | 0x0 |
| 12 | SRAM2 | RW | 0x0 |
| 11 | SRAM1 | RW | 0x0 |
| 10 | SRAM0 | RW | 0x0 |
| 9 | BOOTRAM | RW | 0x0 |
| 8 | ROM | RW | 0x0 |
| 7 | BUSFABRIC | RW | 0x0 |
| 6 | PSM_READY | RW | 0x0 |
| 5 | CLOCKS | RW | 0x0 |
| 4 | RESETS | RW | 0x0 |

| Bits | Description | Type | Reset |
|------|-------------|------|-------|
| 3 | XOSC | RW | 0x0 |
| 2 | ROSC | RW | 0x0 |
| 1 | OTP | RW | 0x0 |
| 0 | PROC_COLD | RW | 0x0 |

PSM: DONE Register

Offset: 0xc

Description

Is the subsystem ready?

Table 533. DONE Register

| Bits | Description | Type | Reset |
|-------|-------------|------|-------|
| 31:25 | Reserved. | - | - |
| 24 | PROC1 | RO | 0x0 |
| 23 | PROC0 | RO | 0x0 |
| 22 | ACCESSCTRL | RO | 0x0 |
| 21 | SIO | RO | 0x0 |
| 20 | XIP | RO | 0x0 |
| 19 | SRAM9 | RO | 0x0 |
| 18 | SRAM8 | RO | 0x0 |
| 17 | SRAM7 | RO | 0x0 |
| 16 | SRAM6 | RO | 0x0 |
| 15 | SRAM5 | RO | 0x0 |
| 14 | SRAM4 | RO | 0x0 |
| 13 | SRAM3 | RO | 0x0 |
| 12 | SRAM2 | RO | 0x0 |
| 11 | SRAM1 | RO | 0x0 |
| 10 | SRAM0 | RO | 0x0 |
| 9 | BOOTRAM | RO | 0x0 |
| 8 | ROM | RO | 0x0 |
| 7 | BUSFABRIC | RO | 0x0 |
| 6 | PSM_READY | RO | 0x0 |
| 5 | CLOCKS | RO | 0x0 |
| 4 | RESETS | RO | 0x0 |
| 3 | XOSC | RO | 0x0 |
| 2 | ROSC | RO | 0x0 |
| 1 | OTP | RO | 0x0 |
| 0 | PROC_COLD | RO | 0x0 |

7.5. Subsystem resets

7.5.1. Overview

The reset controller allows software to reset non-critical components in RP2350. The reset controller can reset the following components:

- USB Controller
- PIO
- Peripherals, including UART, I2C, SPI, PWM, Timer, ADC
- PLLs
- IO and Pad registers

For a full list of components that can be reset using the reset controller, see the register descriptions ([Section 7.5.3, “List of Registers”](#)).

When reset, components are held in reset at power-up. To use the component, software must deassert the reset.

i NOTE

The SDK automatically deasserts some components after a reset.

7.5.2. Programmer’s model

The SDK uses the following struct to represent the resets registers:

SDK: https://github.com/raspberrypi/pico-sdk/blob/master/src/rp2350/hardware_structs/include/hardware/structs/resets.h Lines 63 - 159

```

63 typedef struct {
64     _REG_(RESETS_RESET_OFFSET) // RESETS_RESET
65     // 0x10000000 [28]  USBCTRL      (1)
66     // 0x08000000 [27]  UART1        (1)
67     // 0x04000000 [26]  UART0        (1)
68     // 0x02000000 [25]  TRNG         (1)
69     // 0x01000000 [24]  TIMER1       (1)
70     // 0x00800000 [23]  TIMER0       (1)
71     // 0x00400000 [22]  TBMAN        (1)
72     // 0x00200000 [21]  SYSINFO      (1)
73     // 0x00100000 [20]  SYSCFG       (1)
74     // 0x00080000 [19]  SPI1         (1)
75     // 0x00040000 [18]  SPI0         (1)
76     // 0x00020000 [17]  SHA256       (1)
77     // 0x00010000 [16]  PWM          (1)
78     // 0x00008000 [15]  PLL_USB      (1)
79     // 0x00004000 [14]  PLL_SYS      (1)
80     // 0x00002000 [13]  PIO2         (1)
81     // 0x00001000 [12]  PIO1         (1)
82     // 0x00000800 [11]  PIO0         (1)
83     // 0x00000400 [10]  PADS_QSPI    (1)
84     // 0x00000200 [9]   PADS_BANK0   (1)
85     // 0x00000100 [8]   JTAG         (1)
86     // 0x00000080 [7]   IO_QSPI     (1)
87     // 0x00000040 [6]   IO_BANK0    (1)
88     // 0x00000020 [5]   I2C1        (1)
89     // 0x00000010 [4]   I2C0        (1)
90     // 0x00000008 [3]   HSTX        (1)

```



```

91 // 0x00000004 [2] DMA (1)
92 // 0x00000002 [1] BUSCTRL (1)
93 // 0x00000001 [0] ADC (1)
94 io_rw_32 reset;
95
96 _REG_(RESETS_WDSEL_OFFSET) // RESETS_WDSEL
97 // 0x10000000 [28] USBCTRL (0)
98 // 0x08000000 [27] UART1 (0)
99 // 0x04000000 [26] UART0 (0)
100 // 0x02000000 [25] TRNG (0)
101 // 0x01000000 [24] TIMER1 (0)
102 // 0x00800000 [23] TIMER0 (0)
103 // 0x00400000 [22] TBMAN (0)
104 // 0x00200000 [21] SYSINFO (0)
105 // 0x00100000 [20] SYSCFG (0)
106 // 0x00080000 [19] SPI1 (0)
107 // 0x00040000 [18] SPI0 (0)
108 // 0x00020000 [17] SHA256 (0)
109 // 0x00010000 [16] PWM (0)
110 // 0x00008000 [15] PLL_USB (0)
111 // 0x00004000 [14] PLL_SYS (0)
112 // 0x00002000 [13] PIO2 (0)
113 // 0x00001000 [12] PIO1 (0)
114 // 0x00000800 [11] PIO0 (0)
115 // 0x00000400 [10] PADS_QSPI (0)
116 // 0x00000200 [9] PADS_BANK0 (0)
117 // 0x00000100 [8] JTAG (0)
118 // 0x00000080 [7] IO_QSPI (0)
119 // 0x00000040 [6] IO_BANK0 (0)
120 // 0x00000020 [5] I2C1 (0)
121 // 0x00000010 [4] I2C0 (0)
122 // 0x00000008 [3] HSTX (0)
123 // 0x00000004 [2] DMA (0)
124 // 0x00000002 [1] BUSCTRL (0)
125 // 0x00000001 [0] ADC (0)
126 io_rw_32 wdsel;
127
128 _REG_(RESETS_RESET_DONE_OFFSET) // RESETS_RESET_DONE
129 // 0x10000000 [28] USBCTRL (0)
130 // 0x08000000 [27] UART1 (0)
131 // 0x04000000 [26] UART0 (0)
132 // 0x02000000 [25] TRNG (0)
133 // 0x01000000 [24] TIMER1 (0)
134 // 0x00800000 [23] TIMER0 (0)
135 // 0x00400000 [22] TBMAN (0)
136 // 0x00200000 [21] SYSINFO (0)
137 // 0x00100000 [20] SYSCFG (0)
138 // 0x00080000 [19] SPI1 (0)
139 // 0x00040000 [18] SPI0 (0)
140 // 0x00020000 [17] SHA256 (0)
141 // 0x00010000 [16] PWM (0)
142 // 0x00008000 [15] PLL_USB (0)
143 // 0x00004000 [14] PLL_SYS (0)
144 // 0x00002000 [13] PIO2 (0)
145 // 0x00001000 [12] PIO1 (0)
146 // 0x00000800 [11] PIO0 (0)
147 // 0x00000400 [10] PADS_QSPI (0)
148 // 0x00000200 [9] PADS_BANK0 (0)
149 // 0x00000100 [8] JTAG (0)
150 // 0x00000080 [7] IO_QSPI (0)
151 // 0x00000040 [6] IO_BANK0 (0)
152 // 0x00000020 [5] I2C1 (0)
153 // 0x00000010 [4] I2C0 (0)
154 // 0x00000008 [3] HSTX (0)

```

```

155 // 0x00000004 [2] DMA (0)
156 // 0x00000002 [1] BUSCTRL (0)
157 // 0x00000001 [0] ADC (0)
158 io_ro_32 reset_done;
159 } resets_hw_t;

```

This struct defines the following registers:

- **reset**: This register contains a bit for each component that can be reset. When set to **1**, the reset is asserted. If the bit is cleared, the reset is deasserted.
- **wdsel**: This register contains a bit for each component that can be reset. When set to **1**, this component will reset if the watchdog fires. If you reset the power-on state machine, the entire reset controller will reset, which includes every component.
- **reset_done**: This register contains a bit for each component that is automatically set when the component is out of reset. This allows software to wait for this status bit in case the component requires initialisation before use.

The SDK defines reset functions as follows:

SDK: https://github.com/raspberrypi/pico-sdk/blob/master/src/rp2_common/hardware_resets/include/hardware/resets.h Lines 159 - 161

```

159 static __force_inline void reset_block(uint32_t bits) {
160     reset_block_mask(bits);
161 }

```

SDK: https://github.com/raspberrypi/pico-sdk/blob/master/src/rp2_common/hardware_resets/include/hardware/resets.h Lines 163 - 165

```

163 static __force_inline void unreset_block(uint32_t bits) {
164     unreset_block_mask(bits);
165 }

```

SDK: https://github.com/raspberrypi/pico-sdk/blob/master/src/rp2_common/hardware_resets/include/hardware/resets.h Lines 167 - 169

```

167 static __force_inline void unreset_block_wait(uint32_t bits) {
168     return unreset_block_mask_wait_blocking(bits);
169 }

```

One example use of reset functions is the UART driver, which defines a `uart_reset` function that selects a different bit of the reset register depending on the UART specified:

SDK: https://github.com/raspberrypi/pico-sdk/blob/master/src/rp2_common/hardware_uart/uart.c Lines 32 - 38

```

32 static inline void uart_reset(uart_inst_t *uart) {
33     reset_block_num(uart_get_reset_num(uart));
34 }
35
36 static inline void uart_unreset(uart_inst_t *uart) {
37     unreset_block_num_wait_blocking(uart_get_reset_num(uart));
38 }

```

7.5.3. List of Registers

The reset controller registers start at a base address of `0x40020000` (defined as `RESETS_BASE` in SDK).

Table 534. List of RESETS registers

| Offset | Name | Info |
|--------|------------|------|
| 0x0 | RESET | |
| 0x4 | WDSEL | |
| 0x8 | RESET_DONE | |

RESETS: RESET Register

Offset: 0x0

Table 535. RESET Register

| Bits | Description | Type | Reset |
|-------|-------------|------|-------|
| 31:29 | Reserved. | - | - |
| 28 | USBCTRL | RW | 0x1 |
| 27 | UART1 | RW | 0x1 |
| 26 | UART0 | RW | 0x1 |
| 25 | TRNG | RW | 0x1 |
| 24 | TIMER1 | RW | 0x1 |
| 23 | TIMERO | RW | 0x1 |
| 22 | TBMAN | RW | 0x1 |
| 21 | SYSINFO | RW | 0x1 |
| 20 | SYSCFG | RW | 0x1 |
| 19 | SPI1 | RW | 0x1 |
| 18 | SPI0 | RW | 0x1 |
| 17 | SHA256 | RW | 0x1 |
| 16 | PWM | RW | 0x1 |
| 15 | PLL_USB | RW | 0x1 |
| 14 | PLL_SYS | RW | 0x1 |
| 13 | PIO2 | RW | 0x1 |
| 12 | PIO1 | RW | 0x1 |
| 11 | PIO0 | RW | 0x1 |
| 10 | PADS_QSPI | RW | 0x1 |
| 9 | PADS_BANK0 | RW | 0x1 |
| 8 | JTAG | RW | 0x1 |
| 7 | IO_QSPI | RW | 0x1 |
| 6 | IO_BANK0 | RW | 0x1 |
| 5 | I2C1 | RW | 0x1 |
| 4 | I2C0 | RW | 0x1 |
| 3 | HSTX | RW | 0x1 |
| 2 | DMA | RW | 0x1 |
| 1 | BUSCTRL | RW | 0x1 |

| Bits | Description | Type | Reset |
|------|-------------|------|-------|
| 0 | ADC | RW | 0x1 |

RESETS: WDSSEL Register

Offset: 0x4

Table 536. WDSSEL Register

| Bits | Description | Type | Reset |
|-------|-------------|------|-------|
| 31:29 | Reserved. | - | - |
| 28 | USBCTRL | RW | 0x0 |
| 27 | UART1 | RW | 0x0 |
| 26 | UART0 | RW | 0x0 |
| 25 | TRNG | RW | 0x0 |
| 24 | TIMER1 | RW | 0x0 |
| 23 | TIMER0 | RW | 0x0 |
| 22 | TBMAN | RW | 0x0 |
| 21 | SYSINFO | RW | 0x0 |
| 20 | SYSCFG | RW | 0x0 |
| 19 | SPI1 | RW | 0x0 |
| 18 | SPI0 | RW | 0x0 |
| 17 | SHA256 | RW | 0x0 |
| 16 | PWM | RW | 0x0 |
| 15 | PLL_USB | RW | 0x0 |
| 14 | PLL_SYS | RW | 0x0 |
| 13 | PIO2 | RW | 0x0 |
| 12 | PIO1 | RW | 0x0 |
| 11 | PIO0 | RW | 0x0 |
| 10 | PADS_QSPI | RW | 0x0 |
| 9 | PADS_BANK0 | RW | 0x0 |
| 8 | JTAG | RW | 0x0 |
| 7 | IO_QSPI | RW | 0x0 |
| 6 | IO_BANK0 | RW | 0x0 |
| 5 | I2C1 | RW | 0x0 |
| 4 | I2C0 | RW | 0x0 |
| 3 | HSTX | RW | 0x0 |
| 2 | DMA | RW | 0x0 |
| 1 | BUSCTRL | RW | 0x0 |
| 0 | ADC | RW | 0x0 |

RESETS: RESET_DONE Register

Offset: 0x8

Table 537.
RESET_DONE Register

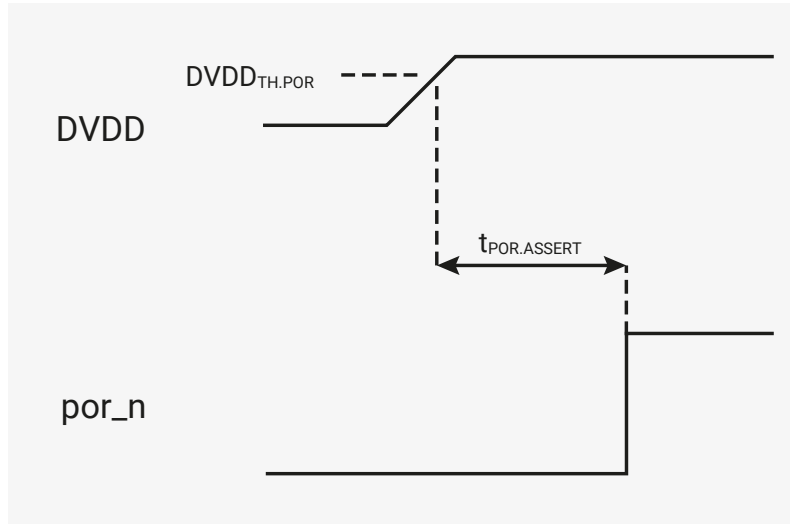
| Bits | Description | Type | Reset |
|-------|-------------|------|-------|
| 31:29 | Reserved. | - | - |
| 28 | USBCTRL | RO | 0x0 |
| 27 | UART1 | RO | 0x0 |
| 26 | UART0 | RO | 0x0 |
| 25 | TRNG | RO | 0x0 |
| 24 | TIMER1 | RO | 0x0 |
| 23 | TIMERO | RO | 0x0 |
| 22 | TBMAN | RO | 0x0 |
| 21 | SYSINFO | RO | 0x0 |
| 20 | SYSCFG | RO | 0x0 |
| 19 | SPI1 | RO | 0x0 |
| 18 | SPI0 | RO | 0x0 |
| 17 | SHA256 | RO | 0x0 |
| 16 | PWM | RO | 0x0 |
| 15 | PLL_USB | RO | 0x0 |
| 14 | PLL_SYS | RO | 0x0 |
| 13 | PI02 | RO | 0x0 |
| 12 | PI01 | RO | 0x0 |
| 11 | PI00 | RO | 0x0 |
| 10 | PADS_QSPI | RO | 0x0 |
| 9 | PADS_BANK0 | RO | 0x0 |
| 8 | JTAG | RO | 0x0 |
| 7 | IO_QSPI | RO | 0x0 |
| 6 | IO_BANK0 | RO | 0x0 |
| 5 | I2C1 | RO | 0x0 |
| 4 | I2C0 | RO | 0x0 |
| 3 | HSTX | RO | 0x0 |
| 2 | DMA | RO | 0x0 |
| 1 | BUSCTRL | RO | 0x0 |
| 0 | ADC | RO | 0x0 |

7.6. Power-on resets and brownout detection

7.6.1. Power-on reset (POR)

The power-on reset block ensures the chip starts up cleanly when power is first applied. It accomplishes this by holding the chip in reset until the digital core supply (*DVDD*) reaches a voltage high enough to reliably power the chip’s core logic. The block holds its *por_n* output low until *DVDD* exceeds the **power-on reset threshold** ($DVDD_{TH,POR}$) for a period greater than the **power-on reset assertion delay** ($t_{POR,ASSERT}$). Once high, *por_n* remains high even if *DVDD* subsequently falls below $DVDD_{TH,POR}$. The behaviour of *por_n* when power is applied is shown in Figure 28, “A power-on reset cycle”.

Figure 28. A power-on reset cycle



$DVDD_{TH,POR}$ is fixed at a nominal 0.957V, which should result in a threshold between 0.924V and 0.99V. The threshold assumes a nominal *DVDD* of 1.1V at initial power-on, and *por_n* may never go high if a lower voltage is used. Once the chip is out of reset, *DVDD* can be reduced without *por_n* going low.

7.6.1.1. Detailed specifications

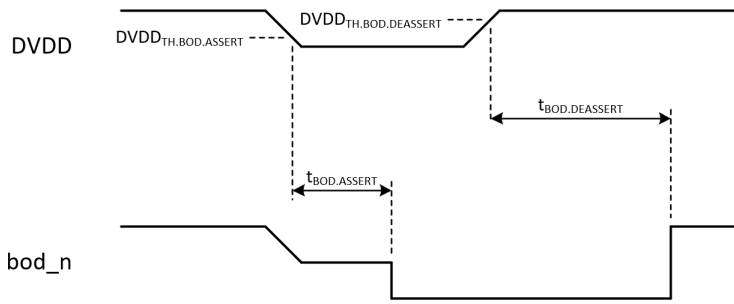
Table 538. Power-on Reset Parameters

| Parameter | Description | Min | Typ | Max | Units |
|------------------|--------------------------------|-------|-------|------|-------|
| $DVDD_{TH,POR}$ | power-on reset threshold | 0.924 | 0.957 | 0.99 | V |
| $t_{POR,ASSERT}$ | power-on reset assertion delay | | 3 | 10 | µs |

7.6.2. Brownout detection (BOD)

The brownout detection block prevents unreliable operation when the digital core supply (*DVDD*) drops below a safe operating level. If enabled, the block resets the chip by taking its *bor_n* output low when *DVDD* drops below the **brownout detection assertion threshold** ($DVDD_{TH,BOD,ASSERT}$) for a period greater than the **brownout detection assertion delay** ($t_{BOD,ASSERT}$). If *DVDD* subsequently rises above the **brownout detection de-assertion threshold** ($DVDD_{TH,BOD,DEASSERT}$) for a period greater than the **brownout detection de-assertion delay** ($t_{BOD,DEASSERT}$), the block releases reset by taking *bor_n* high. A brownout, followed by supply recovery, is shown in Figure 29, “A brownout detection cycle”.

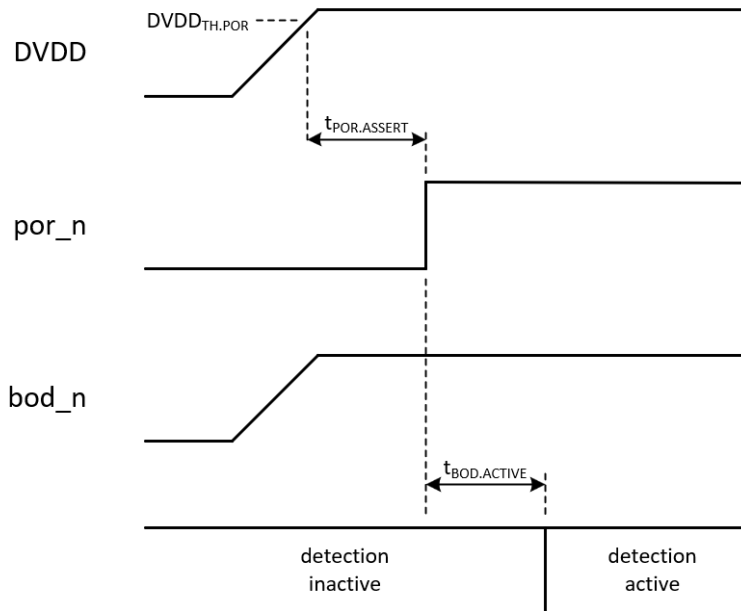
Figure 29. A brownout detection cycle



7.6.2.1. Detection enable

Brownout detection is always enabled at initial power-on. There is, however, a short delay, the **brownout detection activation delay** ($t_{BOD.ACTIVE}$), between `por_n` going high and detection becoming active. This is shown in Figure 30, “Activation of brownout detection at initial power-on and following a brownout event.”.

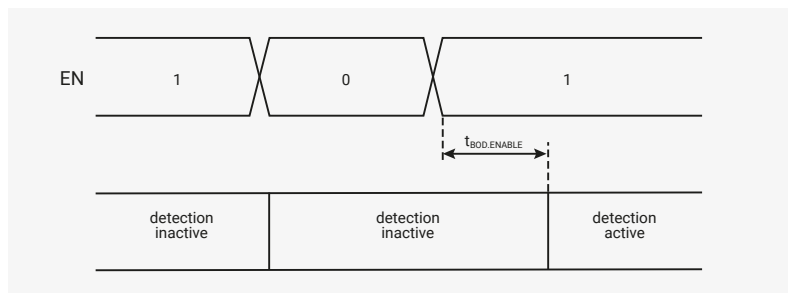
Figure 30. Activation of brownout detection at initial power-on and following a brownout event.



Once the chip is out of reset, detection can be disabled under software control. This saves a small amount of power. If detection is subsequently re-enabled, there will be another short delay, the **brownout detection enable delay** ($t_{BOD.ENABLE}$), before it becomes active again. This is shown in Figure 31, “Disabling and enabling brownout detection”.

Detection is disabled by writing a 0 to the `EN` field in the `BOD` register and is re-enabled by writing a 1 to the same field. The block’s `bod_n` output is high when detection is disabled.

Figure 31. Disabling and enabling brownout detection



Detection is re-enabled if the `BOD` register is reset, as this sets the register’s `EN` field to 1. Again, detection will become

active after a delay equal to the brownout detection enable delay ($t_{BOD.ENABLE}$).

NOTE

If the **BOD** register is reset by a power-on or brownout-initiated reset, the delay between the register being reset and brownout detection becoming active will be equal to the brownout detection activation delay ($t_{BOD.ACTIVE}$). The delay will be equal to the brownout detection enable delay ($t_{BOD.ENABLE}$) for all other reset sources.

7.6.2.2. Adjusting the detection threshold

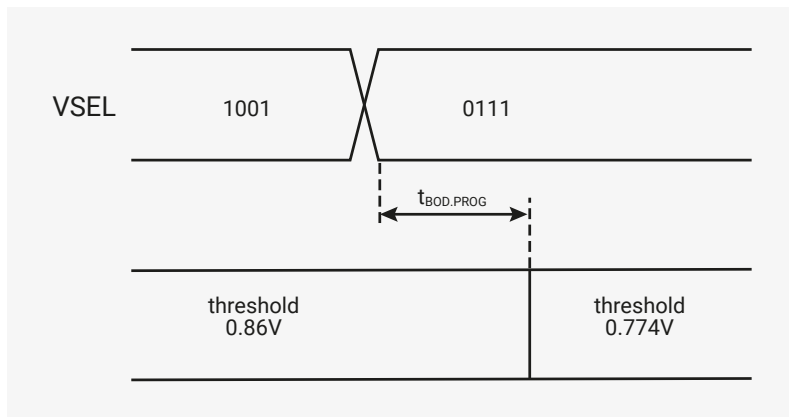
The **brownout detection threshold** ($DVDD_{TH.BOD}$) has a nominal value of 0.946V at initial power-on or after a reset event. This should result in a detection threshold between 0.913V and 0.979V. Once out of reset, the threshold can be adjusted under software control. The new detection threshold will take effect after the **brownout detection programming delay** ($t_{BOD.PROG}$). An example of this is shown in [Figure 32, “Adjusting the brownout detection threshold”](#).

The threshold is adjusted by writing to the **VSEL** field in the **BOD** register. See the **BOD** register description for details.

NOTE

The nominal supply voltage for DVDD is 1.1 V. You should not increase the brownout detection threshold above the nominal supply voltage.

Figure 32. Adjusting the brownout detection threshold



7.6.2.3. Detailed specifications

Table 539. Brownout Detection Parameters

| Parameter | Description | Min | Typ | Max | Units |
|--------------------------|---|------|-----|-------|---------------------------------|
| $DVDD_{TH.BOD.ASSERT}$ | brownout detection assertion threshold | 96.5 | 100 | 103.5 | % of selected threshold voltage |
| $DVDD_{TH.BOD.DEASSERT}$ | brownout detection de-assertion threshold | 97.4 | 101 | 105 | % of selected threshold voltage |
| $t_{BOD.ACTIVE}$ | brownout detection activation delay | | 55 | 80 | μs |
| $t_{BOD.ASSERT}$ | brownout detection assertion delay | | 3 | 10 | μs |

| Parameter | Description | Min | Typ | Max | Units |
|---------------------------|--------------------------------------|-----|-----|-----|---------------|
| $t_{\text{BOD.DEASSERT}}$ | brownout detection deassertion delay | | 55 | 80 | μs |
| $t_{\text{BOD.ENABLE}}$ | brownout detection enable delay | | 35 | 55 | μs |
| $t_{\text{BOD.PROG}}$ | brownout detection programming delay | | 20 | 30 | μs |

7.6.3. Supply monitor

The power-on and brownout reset blocks are powered by the core voltage regulator’s analogue supply ($V_{\text{REG_AVDD}}$). The blocks are initialised when power is first applied, but may not be reliably re-initialised if power is removed and then reapplied before $V_{\text{REG_AVDD}}$ has dropped to a sufficiently low level. To prevent this happening, $V_{\text{REG_AVDD}}$ is monitored and the power-on reset block is re-initialised if it drops below the **$V_{\text{REG_AVDD}}$ activation threshold** ($V_{\text{REG_AVDD_TH_ACTIVE}}$). $V_{\text{REG_AVDD_TH_ACTIVE}}$ is fixed at a nominal 1.1V, which should result in a threshold between 0.87V and 1.26V. This threshold does not represent a safe operating voltage. Instead, it represents the voltage that $V_{\text{REG_AVD}}$ must drop below to reliably re-initialise the power-on reset block. For safe operation, $V_{\text{REG_AVDD}}$ must be at a nominal voltage of 3.3V. See [Table 1441, “Power Supply Specifications”](#).

7.6.3.1. Detailed specifications

Table 540. Voltage Regulator Input Supply Monitor Parameters

| Parameter | Description | Min | Typ | Max | Units |
|-----------------------------------|--|------|-----|------|-------|
| $V_{\text{REG_VIN_TH_ACTIVE}}$ | $V_{\text{REG_VIN}}$ activation threshold | 0.87 | 1.1 | 1.26 | V |

7.6.4. List of registers

The chip-level reset subsystem shares a register address space with other power management subsystems in the always-on domain. The address space is referred to as **POWMAN** elsewhere in this document. A complete list of **POWMAN** registers is provided in [Section 6.4, “Power management \(POWMAN\) registers”](#), but information on registers associated with the brownout detector are repeated here.

The **POWMAN** registers start at a base address of $0x40100000$ (defined as **POWMAN_BASE** in SDK).

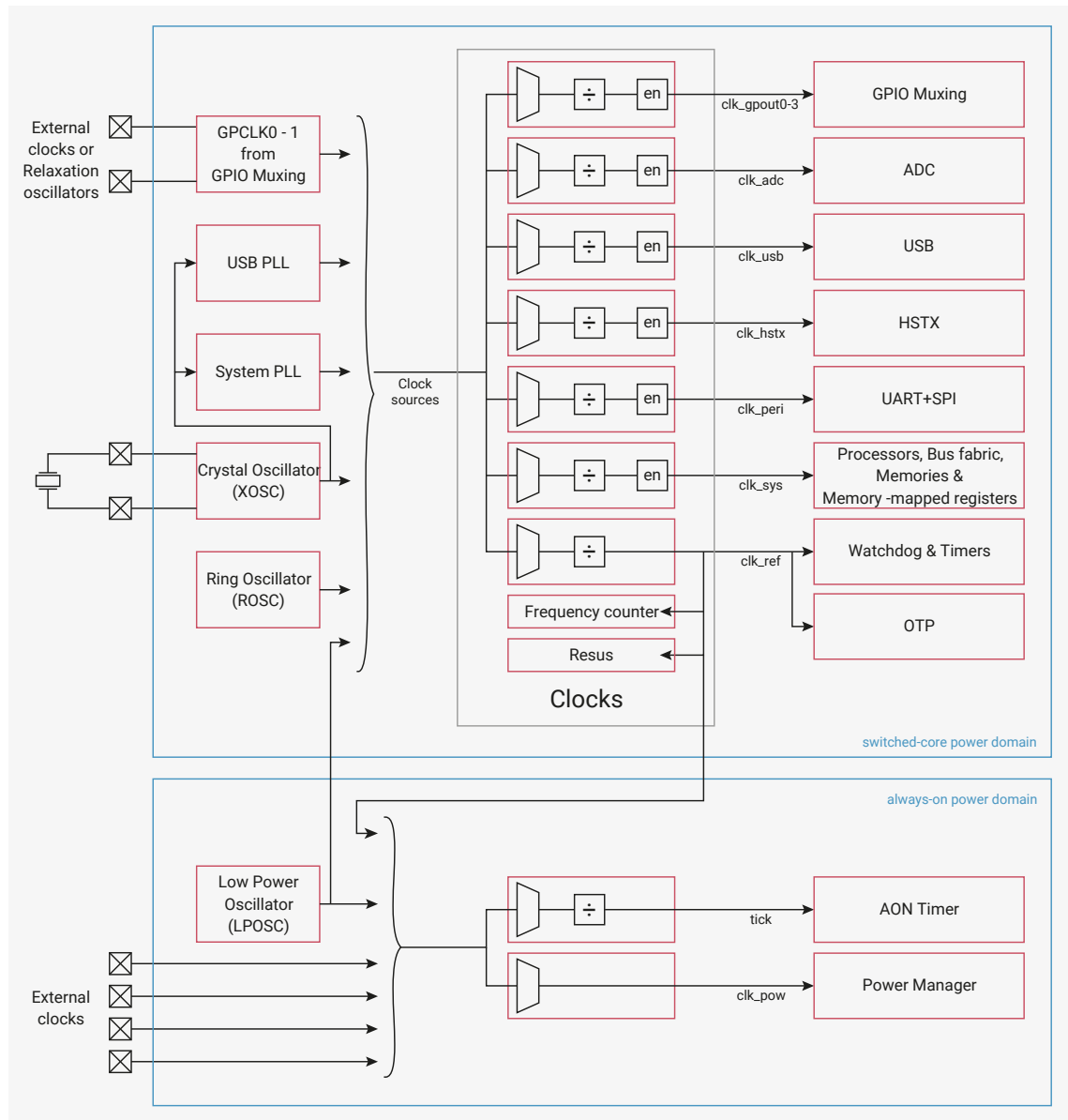
- [BOD_CTRL](#)
- [BOD](#)
- [BOD_LP_ENTRY](#)
- [BOD_LP_EXIT](#)

Chapter 8. Clocks

8.1. Overview

The clocks block provides independent clocks to on-chip and external components. It takes inputs from a variety of clock sources, allowing the user to trade off performance against cost, board area and power consumption. From these sources it uses multiple clock generators to provide the required clocks. This architecture allows the user flexibility to start and stop clocks independently and to vary some clock frequencies whilst maintaining others at their optimum frequencies.

Figure 33. Clocks overview



The crystal oscillator (XOSC) provides a reference to two PLLs, which provide high precision clocks to the processors and peripherals. These are slow to start when waking from the various low-power modes, so the on-chip ring oscillator (ROSC) is provided to boot the device until they are available. When the switched-core is powered down or the device is in DORMANT mode (see Section 6.5.3, “DORMANT state”) the on-chip 32kHz low-power oscillator (LPOS) provides a clock to the power manager and a tick to the Always-on Timer (AON Timer).

The clock generators select from the clock sources and optionally divide the selected clock before outputting through enable logic that provides automatic clock gating in sleep mode (see [Section 8.1.3.5.2, “System sleep mode”](#)).

An on-chip frequency counter facilitates debugging of the clock setup and also allows measurement of the frequencies of LPOSC, ROSC and external clocks. If the system clock stops accidentally, the on-chip [resus](#) (short for *resuscitate*) component restarts it from a known good clock. This allows the software debugger to access registers and debug the problem.

When the switched-core is powered, the power manager clock automatically switches to the reference clock ([clk_ref](#)). The user can optionally switch the AON Timer tick, though we recommend waiting until [clk_ref](#) is running from the XOSC, because the ROSC frequency is imprecise.

You can substitute the clock sources with up to 2 GPIO clock inputs. This helps avoid adding a second crystal into systems that already have an accurate clock source and enables replacement of the ROSC and LPOSC with more accurate external sources.

You can also output up to 4 generated clocks to GPIOs at up to 50MHz. This enables you to supply clocks to external devices, reducing the need for additional clock components that consume power and board area.

8.1.1. Changes between RP2350 revisions

RP2350 A3 changes the reset values of:

- [CLK_SYS_CTRL.SRC](#) from 0 to 1 (select AUX source).
- [CLK_SYS_CTRL.AUXSRC](#) from 0 to 2 (select ROSC as AUX source).

See [Hardware changes](#) for information about related changes made to the ROSC configuration at reset. See [Bootrom changes](#) for related changes made in the A3 boot ROM.

8.1.2. Clock sources

RP2350 can use a variety of clock sources. This flexibility allows the user to optimise the clock setup for performance, cost, board area and power consumption. RP2350 supports the following potential clock sources:

- On-chip 32kHz low-power oscillator ([Section 8.4, “Low Power oscillator \(LPOSC\)”](#))
- On-chip ring oscillator ([Section 8.3, “Ring oscillator \(ROSC\)”](#))
- Crystal oscillator ([Section 8.2, “Crystal oscillator \(XOSC\)”](#))
- External clocks from GPIOs ([Section 8.1.6.4, “Configuring a GPIO input clock”](#)) and PLLs ([Section 8.6, “PLL”](#))

The list of clock sources is different per clock generator and can be found as enumerated values in the [CTRL](#) register. See [CLK_SYS_CTRL](#) as an example.

8.1.2.1. Low-power oscillator

The on-chip 32kHz low-power oscillator ([Section 8.4, “Low Power oscillator \(LPOSC\)”](#)) requires no external components. It starts automatically when the always-on domain is powered, providing a clock for the power manager and a tick for the Always-on Timer (AON Timer) when the switched-core power domain is powered off.

The LPOSC can be tuned to 1% accuracy, and the divider in the AON Timer tick generator can further tune the 1ms tick. However, the LPOSC frequency varies with voltage and temperature, so fine-tuning is only useful in systems with stable voltage and temperature.

When the switched-core is powered, the LPOSC clock can drive the reference clock ([clk_ref](#)), which in turn can drive the system clock ([clk_sys](#)). This allows another low-power mode where the processors remain powered but, unlike the SLEEP and DORMANT modes, clocks are running. The LPOSC clock can also be sent to the frequency counter for calibration or output to a GPIO.

8.1.2.2. Ring oscillator

The on-chip ring oscillator (Section 8.3, “Ring oscillator (ROSC)”) requires no external components. It starts automatically when the switched-core domain is powered and is used to clock the chip during the initial boot stages. During boot, the ROSC runs at a nominal 11MHz, but varies with PVT (Process, Voltage, and Temperature). The ROSC frequency is guaranteed to be in the range 4.6MHz to 19.6MHz.

For low-cost applications where frequency accuracy is unimportant, the chip can continue to run from the ROSC. If your application requires greater performance, the frequency can be increased by programming the registers as described in Section 8.3, “Ring oscillator (ROSC)”. Because the frequency varies with PVT (Process, Voltage, and Temperature), the user must take care to avoid exceeding the maximum frequencies described in the clock generators section. For information about reducing this variation when running the ROSC at frequencies close to the maximum, see Section 8.1.2.2.1, “Mitigate ROSC frequency variation due to process”. Alternatively, use an external clock or the XOSC to provide a stable reference clock and use the PLLs to generate higher frequencies. However, this approach requires external components, which will cost board area and increase power consumption.

When using an external clock or the XOSC, you can stop the ROSC to save power. Before stopping the ROSC, you must switch the reference clock generator and the system clock generator to an alternate source.

The ROSC is unpowered when the switched-core domain is powered down, but starts immediately when the switched-core powers up. It is not affected by sleep mode. To save power, reduce the frequency before entering sleep mode. When entering DORMANT mode, the ROSC is automatically stopped. When exiting DORMANT mode, the ROSC restarts in the same configuration. If you drive clocks at close to their maximum frequencies with the ROSC, drop the frequency before entering SLEEP or DORMANT mode. This allows for frequency variation due to changes in environmental conditions during SLEEP or DORMANT mode.

To use ROSC clock externally, output it to a GPIO pin using one of the `clk_gpc1k0-3` generators.

The following sections describe techniques for mitigating PVT variation of the ROSC frequency. They also provide some interesting design challenges for use in teaching both the effects of PVT and writing software to control real time functions.

TIP

Because the ROSC frequency varies with PVT (Process, Voltage, and Temperature), you can use the ROSC frequency to measure any one of the three PVT variables as long as you know the other two variables.

8.1.2.2.1. Mitigate ROSC frequency variation due to process

Process varies for the following reasons:

- Chips leave the factory with a spread of process parameters. This causes variation in the ROSC frequency across chips.
- Process parameters vary slightly as the chip ages. This is only observable over many thousands of hours of operation.

To mitigate process variation, the user can characterise individual chips and program the ROSC frequency accordingly. This is an adequate solution for small numbers of chips, but does not scale well to volume production. For high-volume applications, consider using [automatic mitigation](#).

8.1.2.2.2. Mitigate ROSC frequency variation due to voltage

Supply voltage varies for the following reasons:

- The power supply itself can vary.
- As chip activity varies, on-chip IR varies.

To mitigate voltage variation, calibrate for the minimum performance target of your application, then adjust the ROSC

frequency to always exceed that minimum.

8.1.2.2.3. Mitigate ROSC frequency variation due to temperature

Temperature varies for the following reasons:

- The ambient temperature can vary.
- The chip temperature varies as chip activity varies due to self-heating.

To mitigate temperature variations, stabilise the temperature. You can use a temperature controlled environment, passive cooling, or active cooling. Alternatively, track the temperature using the on-chip temperature sensor and adjust the ROSC frequency so it remains within the required bounds.

8.1.2.2.4. Automatic mitigation of ROSC frequency variation due to PVT

Techniques for automatic ROSC frequency control avoid the need to calibrate individual chips, but require periodic access to a clock reference or to a time reference.

If a clock reference is available, you can use it to periodically measure the ROSC frequency and adjust accordingly. The on-chip XOSC is one potential clock reference. You can even run the XOSC intermittently to save power for very low-power application where it is too costly to run the XOSC continuously or use the PLLs to achieve high frequencies.

If a time reference is available, you can clock the on-chip AON Timer from the ROSC and periodically compare it against the time reference, adjusting the ROSC frequency as necessary. Using these techniques, the ROSC frequency still drifts due to voltage and temperature variation. As a result, you should also implement mitigations for voltage and temperature to ensure that variations do not allow the ROSC frequency to drift out of the acceptable range.

8.1.2.2.5. Automatic overclocking using the ROSC

The datasheet maximum frequencies for any digital device are quoted for worst case PVT. Most chips in most normal environments can run significantly faster than the quoted maximum, and therefore support overclocking. When RP2350 runs from the ROSC, PVT affects both both the ROSC and the digital components. As the ROSC gets faster, the processors can also run faster. This means the user can overclock from the ROSC, then rely on the ROSC frequency tracking with PVT variations. The tracking of ROSC frequency and the processor capability is not perfect, and currently there is insufficient data to specify a safe ROSC setting for this mode of operation, so some experimentation is required.

This mode of operation maximises processor performance, but causes variations in the time taken to complete a task. Only use overclocking for applications where this variation is acceptable. If your application uses frequency sensitive interfaces such as USB or UART, you must use the XOSC and PLL to provide a precise clock for those components.

8.1.2.3. Crystal oscillator

The Crystal Oscillator ([Section 8.2, “Crystal oscillator \(XOSC\)”](#)) provides a precise, stable clock reference and should be used where accurate timing is required and no suitable external clocks are available. The XOSC requires an external crystal component. The external crystal determines the frequency. RP2350 supports 1MHz to 50MHz crystals and the RP2350 reference design (see [Hardware design with RP2350, Minimal Design Example](#)) uses a 12MHz crystal. Using the XOSC and the PLLs, you can run on-chip components at their maximum frequencies. Appropriate margin is built into the design to tolerate up to 1000ppm variation in the XOSC frequency.

The XOSC is unpowered when the switched-core domain is powered down. It remains inactive when the switched-core is powered up. If required, you must enable it in software. XOSC startup takes several milliseconds, and software must wait for the `XOSC_STABLE` flag to be set before starting the PLLs and changing any clock generators. Before the XOSC completes startup, output might be non-existent or exhibit very short pulse widths; this will corrupt logic if used. When XOSC startup is complete, the reference clock (`clk_ref`) and the system clock (`clk_sys`) can run from the XOSC. If you

switch the system and reference clocks to run from the XOSC, you can stop the ROSC to save power.

The XOSC is not affected by sleep mode. It automatically stops and restarts in the same configuration when entering and exiting DORMANT mode.

To use the XOSC clock externally, output it to a GPIO pin using one of the `clk_gpc1k0-clk_gpc1k03` generators. You cannot take XOSC output directly from the XIN (XI) or XOUT (XO) pins.

8.1.2.4. External clocks

If external clocks exist in the hardware design, you can use them to clock RP2350. You can use clocks individually or in conjunction with the other (internal or external) clock sources. Use XIN and one of GPIN0-GPIN1 to input external clocks.

If you drive an external clock into XIN, you don't need an external crystal. When driving an external clock into XIN, you must configure the XOSC to pass through the XIN signal. When the switched-core powers down, this configuration will be lost, but the configuration is unaffected by SLEEP and DORMANT modes. The input is limited to 50MHz, but the on-chip PLLs can synthesise higher frequencies from the XIN input if required.

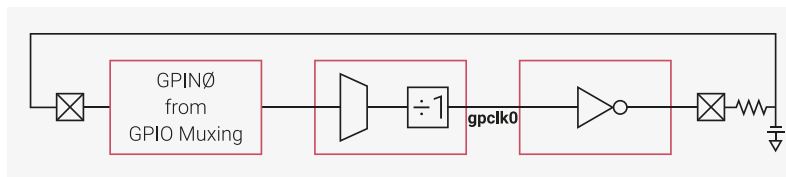
GPIN0-GPIN1 can provide system and peripherals clocks, but is limited to 50MHz. This can potentially save power and allows components on RP2350 to run synchronously with external components, which simplifies data transfer between chips. If the frequency accuracy of the external clocks is poorer than 1000ppm, the generated clocks should not run at their maximum frequencies since they could exceed their design margins. Once the external clocks begin to run, the reference clock (`clk_ref`) and the system clock (`clk_sys`) can run from the external clocks and you can stop the ROSC to save power. When the switched-core powers down, GPIN0-GPIN1 configuration will be lost, but the configuration is unaffected by SLEEP and DORMANT modes.

To provide a more accurate tick to the AON Timer, use one of the GPIN0-GPIN3 inputs to replace the clock from the LPOSC. These inputs are limited to 29MHz. GPIN0-GPIN3 configuration is unaffected by switched-core power down, sleep mode, and DORMANT mode.

8.1.2.5. Relaxation oscillators

If there is no appropriate clock available, but you still want to replace or supplement external clocks with another clock source, you can construct one or two relaxation oscillators from external passive components. Send the clock source (GPIN0-GPIN1) to one of the `clk_gpc1k0-clk_gpc1k03` generators, invert it through the GPIO inverter `OUTOVER`, and connect back to the clock source input via an RC circuit:

Figure 34. Simple relaxation oscillator example



The frequency of clocks generated from relaxation oscillators depend on the delay through the chip and the drive current from the GPIO output, both of which vary with PVT. The frequency and frequency accuracy depend on the quality and accuracy of the external components. More elaborate external components such as ceramic resonators, can improve performance, but also increase cost and complexity. Such an oscillator will not achieve 1000ppm, so they cannot drive internal clocks at their maximum frequencies. To drive internal clocks at the maximum possible frequency, use the XOSC.

The configuration of the relaxation oscillators will be lost when the switched-core powers down, but is not affected by sleep mode or DORMANT mode.

8.1.2.6. PLLs

The PLLs (Section 8.6, “PLL”) are used to provide fast clocks when running from the XOSC or an external clock source driven into the XIN pin. In a fully-featured application, the USB PLL provides a fixed 48MHz clock to the ADC and USB while `clk_ref` is driven from the XOSC or external clock source. This allows the user to drive `clk_sys` from the system PLL and vary the frequency according to demand to save power without having to change the setups of the other clocks. `clk_peri` can be driven either from the fixed frequency USB PLL or from the variable frequency system PLL. If `clk_sys` never needs to exceed 48MHz, one PLL can be used and the divider in the `clk_sys` clock generator can scale the `clk_sys` frequency according to demand.

When a PLL starts, you cannot use the output until the PLL locks as indicated by the `LOCK` bit in the `STATUS` register. As a result, the PLL output cannot be used during changes to the reference clock divider, the output dividers or the bypass mode. The output can be used during feedback divisor changes, though the output frequency might overshoot or undershoot during large changes to the feedback divisor. For more information, see Section 8.6, “PLL”.

The PLLs can drive clocks at their maximum frequency as long as the reference clock is accurate to 1000ppm, since this keeps the frequency of the generated clocks within design margins.

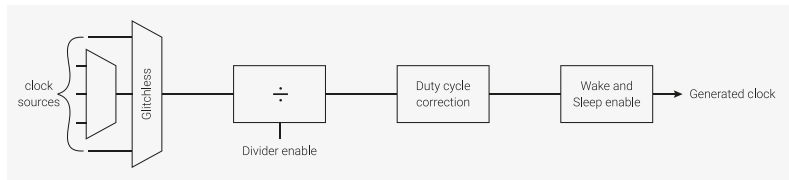
The PLLs are not affected by sleep mode. To save power in sleep mode, switch all clock generators away from the PLLs stop them in software before entering sleep mode.

The PLLs do not stop and restart automatically when entering and exiting DORMANT mode. If the PLLs are running when entering DORMANT mode, they will be corrupted because the reference clock in the XOSC stops. This generates out-of-control clocks that consume power unnecessarily. Before entering DORMANT mode, always switch all clock generators away from the PLLs and stop the PLLs in software.

8.1.3. Clock generators

The clock generators are built on a standard design that incorporates clock source multiplexing, division, duty cycle correction, and sleep mode enabling. To save chip area and power, some individual clock generators omit certain features.

Figure 35. A generic clock generator



8.1.3.1. Instances

RP2350 has several clock generators, which are listed below.

Table 541. RP2350 clock generators

| Clock | Description | Nominal Frequency |
|-------------------------|---|-------------------|
| <code>clk_gpout0</code> | Clock output to GPIO. Can be used to clock external devices or debug on chip clocks with a logic analyser or oscilloscope. | N/A |
| <code>clk_gpout1</code> | | |
| <code>clk_gpout2</code> | | |
| <code>clk_gpout3</code> | | |
| <code>clk_ref</code> | Reference clock that is always running unless in DORMANT mode. Runs from ring oscillator (ROSC) at power-up but can be switched to crystal oscillator (XOSC) for more accuracy. | 6 - 12MHz |

| Clock | Description | Nominal Frequency |
|-----------------------|--|-------------------|
| <code>clk_sys</code> | System clock that is always running unless in DORMANT mode. Runs from <code>clk_ref</code> at power-up, but is typically switched to a PLL. | 150MHz |
| <code>clk_peri</code> | Peripheral clock. Typically runs from <code>clk_sys</code> but allows peripherals to run at a consistent speed if <code>clk_sys</code> is changed by software. | 12 - 150MHz |
| <code>clk_usb</code> | USB reference clock. Must be 48MHz. | 48MHz |
| <code>clk_adc</code> | ADC reference clock. Must be 48MHz. | 48MHz |
| <code>clk_hstx</code> | HSTX clock. | 150MHz |

For a full list of clock sources for each clock generator, see the appropriate `CTRL` register. For example, `CLK_SYS_CTRL`.

8.1.3.2. Multiplexers

All clock generators have a multiplexer referred to as the auxiliary (aux) mux. This mux has a conventional design whose output will glitch when changing the select control. The reference clock (`clk_ref`) and the system clock (`clk_sys`) have an additional multiplexer referred to as the **glitchless mux**. The glitchless mux can switch between clock sources without generating a glitch on the output.

Before switching the clock source of an auxiliary mux you must either:

- Temporarily switch the glitchless mux away from aux (if a glitchless mux is available).
- Temporarily disable the clock generator using its `CTRL_ENABLE` bit.
- Hold the destination in reset so that a potential clock glitch doesn't cause undefined operation.

Failure to do at least one of the above can cause a glitch on the clock input of all hardware currently clocked by this clock generator. Avoid clock glitches at all costs; they can corrupt the logic running from the clock.

Clock generators require two cycles of the source clock to stop the output and two cycles of the new source to restart the output. Wait for the generator to stop before changing the auxiliary mux. When the destination clock is much slower than the system clock, there is a danger that software changes the aux mux source before the clock generator has come to a safe halt. Avoid this by polling the clock generator's `CTRL_ENABLED` status until it matches the value of `CTRL_ENABLE`.

The glitchless mux is only implemented for always-on clocks. On RP2350, the always-on clocks are the reference clock (`clk_ref`) and the system clock (`clk_sys`). Such clocks must run continuously unless the chip is in DORMANT mode. The glitchless mux has a status output (`SELECTED`) that indicates which source is selected. You can read this status output from software to confirm that a change of clock source has completed.

The recommended control sequences are as follows.

To switch between clock sources for the glitchless mux:

1. Switch the glitchless mux to an alternate source.
2. Poll the `SELECTED` register until the switch completes.

To switch between clock sources for the aux mux when the generator has a glitchless mux:

1. Switch the glitchless mux to a source that isn't the aux mux.
2. Poll the `SELECTED` register until the switch completes.
3. Change the auxiliary mux select control.

4. Switch the glitchless mux back to the aux mux.
5. If required, poll the `SELECTED` register until the switch completes.

To switch between clock sources for the aux mux when the generator does *not* have a glitchless mux:

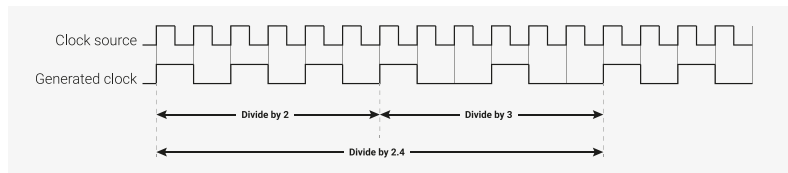
1. Disable the clock divider.
2. Wait for the generated clock to stop (two cycles of the clock source).
3. Change the auxiliary mux select control.
4. Enable the clock divider.
5. If required, wait for the clock generator to restart (two cycles of the clock source).

See [Section 8.1.6.1, “Configuring a clock generator”](#) for a code example of this.

8.1.3.3. Divider

A fully featured divider divides by a fractional number in the range 1.0 to 2^{16} . Fractional division is achieved by toggling between 2 integer divisors; this yields a jittery clock that might be unsuitable for some applications. For example, when dividing by 2.4, the divider divides by 2 for 3 cycles and by 3 for 2 cycles. For divisors with large integer components, the jitter will be much smaller and less critical.

Figure 36. An example of fractional division.



All dividers support **on-the-fly divisor changes**: the output clock can switch cleanly from one divisor to another. The clock generator does not need to be stopped during clock divisor changes, because the dividers synchronise the divisor change to the end of the clock cycle. Similarly, dividers synchronise the enable to the end of the clock cycle to avoid glitches when the clock generator is enabled or disabled. Clock generators for always-on clocks are permanently enabled and therefore do not have an enable control.

In the event that a clock generator locks up and never completes the current clock cycle, it can be forced to stop using the `KILL` control. This can result in an output glitch, which can corrupt the logic driven by the clock. Always reset the destination logic before using the `KILL` control. Clock generators for always-on clocks are permanently active and therefore do not have a `KILL` control.

i NOTE

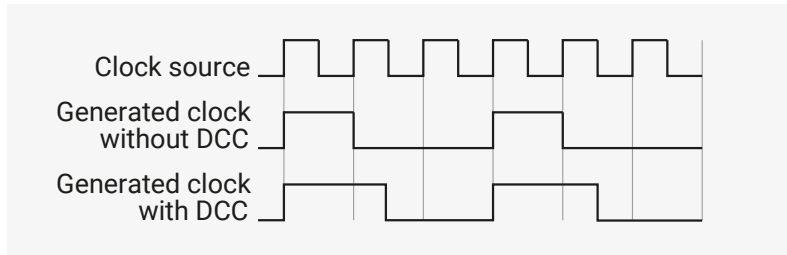
This clock generator design has been used in numerous chips and has never been known to lock up. The `KILL` control is inelegant and unnecessary and should not be used as an alternative to the enable.

8.1.3.4. Duty cycle correction

The divider operates on the rising edge of the input clock, so it does not generate an even duty cycle clock when dividing by odd numbers. For example, divide by 3 gives a duty cycle of 33.3%, and divide by 5 gives a duty cycle of 40%.

If enabled, duty cycle correction logic will shift the falling edge of the output clock to the falling edge of the input clock and restore a 50% duty cycle. The duty cycle correction can be enabled and disabled while the clock is running. It doesn't operate when dividing by an even number.

Figure 37. An example of duty_cycle_correction.



8.1.3.5. Clock Enables

Each clock goes to multiple destinations. With a few exceptions, each destination has two enables. Use the `WAKE_EN` registers to enable the clocks when the system is awake. Use the `SLEEP_EN` registers to enable the clocks when the system is in sleep mode. Enables help reduce power in the clock distribution networks for unused components. Any component that isn't clocked will retain its configuration so it can restart quickly.

i NOTE

By default, the `WAKE_EN` and `SLEEP_EN` registers reset to `0x1`, which enables all clocks. Only use this feature for low-power designs.

8.1.3.5.1. Clock enable exceptions

The following destinations don't have clock enables:

- The `clk_gpc1k0-clk_gpc1k03` generators.
- The processor cores, because they require a clock at all times to manage their own power-saving features.
- `clk_sys_busfabric` (in wake mode), because that would prevent the cores from accessing any chip registers, including those that control the clock enables.
- `clk_sys_clocks` (in wake mode), because that would prevent the cores from accessing the clocks control registers.

8.1.3.5.2. System sleep mode

System sleep mode is entered automatically when both cores are in sleep and the DMA has no outstanding transactions. In system sleep mode, the clock enables described in the previous paragraphs are switched from the `WAKE_EN` registers to the `SLEEP_EN` registers. Sleep mode helps reduce power consumed in the clock distribution networks when the chip is inactive. If the user hasn't configured the `WAKE_EN` and `SLEEP_EN` registers, system sleep does nothing.

There is little value in using system sleep without taking other measures to reduce power before the cores are put to sleep. Things to consider include:

- Stop unused clock sources such as the PLLs and crystal oscillator.
- Reduce the frequencies of generated clocks by increasing the clock divisors.
- Stop external clocks.

For maximum power saving when the chip is inactive, the user should consider DORMANT (see [Section 6.5.3, "DORMANT state"](#)) mode in which clocks are sourced from the crystal oscillator and/or the ring oscillator and those clock sources are stopped.

For more information about sleep, see [Section 6.5.2, "SLEEP state"](#).

8.1.4. Frequency counter

The frequency counter measures the frequency of internal and external clocks by counting the clock edges seen over a test interval. The interval is defined by counting cycles of `clk_ref`, which must be driven either from XOSC or a stable external source of known frequency.

The user can pick between accuracy and test time using the `FC0_INTERVAL` register. Table 542, “Frequency Counter Test Interval vs Accuracy” shows this trade off:

Table 542. Frequency Counter Test Interval vs Accuracy

| Interval Register | Test Interval | Accuracy |
|-------------------|---------------|----------|
| 0 | 1µs | 2048kHz |
| 1 | 2µs | 1024kHz |
| 2 | 4µs | 512kHz |
| 3 | 8µs | 256kHz |
| 4 | 16µs | 128kHz |
| 5 | 32µs | 64kHz |
| 6 | 64µs | 32kHz |
| 7 | 125µs | 16kHz |
| 8 | 250µs | 8kHz |
| 9 | 500µs | 4kHz |
| 10 | 1ms | 2kHz |
| 11 | 2ms | 1kHz |
| 12 | 4ms | 500Hz |
| 13 | 8ms | 250Hz |
| 14 | 16ms | 125Hz |
| 15 | 32ms | 62.5Hz |

8.1.5. Resus

It is possible to write software that inadvertently stops `clk_sys`. This normally causes an unrecoverable lock-up of the cores and the on-chip debugger, leaving the user unable to trace the problem. To mitigate against unrecoverable core lock-up, an automatic **resuscitation circuit** is provided; this switches `clk_sys` to a known good clock source (`clk_ref`) if it detects no edges over a user-defined interval. `clk_ref` can be driven from the XOSC, ROSC or an external source. The interval is programmable via `CLK_SYS_RESUS_CTRL`.

⚠ WARNING

There is no way for resus to revive the chip if `clk_ref` is also stopped.

To enable the resus:

- Set the timeout interval.
- Set the `ENABLE` bit in `CLK_SYS_RESUS_CTRL`.

To detect a resus event:

- Enable the `CLK_SYS_RESUS` interrupt by setting the interrupt enable bit in `INTE`.

- Enable the `CLOCKS_DEFAULT_IRQ` processor interrupt (see Section 3.2, “Interrupts”).

Resus is intended as a debugging aid, so the user can trace the software error that triggered the resus, then correct the error and reboot. It is possible to continue running after a resus event by reconfiguring `clk_sys`, then clearing the resus by writing the `CLEAR` bit in `CLK_SYS_RESUS_CTRL`.

⊖ WARNING

Only use resus for debugging. If `clk_sys` runs slower than expected, a resus could trigger. This could result in a `clk_sys` glitch, which could corrupt the chip.

8.1.6. Programmer’s model

8.1.6.1. Configuring a clock generator

The SDK defines an enum of clocks:

SDK: https://github.com/raspberrypi/pico-sdk/blob/master/src/rp2350/hardware_structs/include/hardware/structs/clocks.h Lines 30 - 42

```

30 typedef enum clock_num_rp2350 {
31     clk_gpout0 = 0, ///< Select CLK_GPOUT0 as clock source
32     clk_gpout1 = 1, ///< Select CLK_GPOUT1 as clock source
33     clk_gpout2 = 2, ///< Select CLK_GPOUT2 as clock source
34     clk_gpout3 = 3, ///< Select CLK_GPOUT3 as clock source
35     clk_ref = 4,   ///< Select CLK_REF as clock source
36     clk_sys = 5,   ///< Select CLK_SYS as clock source
37     clk_peri = 6,  ///< Select CLK_PERI as clock source
38     clk_hstx = 7,  ///< Select CLK_HSTX as clock source
39     clk_usb = 8,   ///< Select CLK_USB as clock source
40     clk_adc = 9,   ///< Select CLK_ADC as clock source
41     CLK_COUNT
42 } clock_num_t;

```

Additionally, the SDK defines a struct to describe the registers of a clock generator:

SDK: https://github.com/raspberrypi/pico-sdk/blob/master/src/rp2350/hardware_structs/include/hardware/structs/clocks.h Lines 116 - 137

```

116 typedef struct {
117     _REG_(CLOCKS_CLK_GPOUT0_CTRL_OFFSET) // CLOCKS_CLK_GPOUT0_CTRL
118     // Clock control, can be changed on-the-fly (except for auxsrc)
119     // 0x10000000 [28] ENABLED (0) clock generator is enabled
120     // 0x00100000 [20] NUDGE (0) An edge on this signal shifts the phase of the
121     // 0x00030000 [17:16] PHASE (0x0) This delays the enable signal by up to 3 cycles
122     // 0x00010000 [12] DC50 (0) Enables duty cycle correction for odd divisors, can
123     // 0x00000000 [11] ENABLE (0) Starts and stops the clock generator cleanly
124     // 0x00000400 [10] KILL (0) Asynchronously kills the clock generator, enable
125     // 0x000001e0 [8:5] AUXSRC (0x0) Selects the auxiliary clock source, will glitch
126     // when switching
127     io_rw_32 ctrl;
128     _REG_(CLOCKS_CLK_GPOUT0_DIV_OFFSET) // CLOCKS_CLK_GPOUT0_DIV
129     // 0xffff0000 [31:16] INT (0x0001) Integer part of clock divisor, 0 -> max+1, can
130     // 0x0000ffff [15:0] FRAC (0x0000) Fractional component of the divisor, can be

```

```

    changed on-the-fly
131     io_rw_32 div;
132
133     _REG_(CLOCKS_CLK_GPOUT0_SELECTED_OFFSET) // CLOCKS_CLK_GPOUT0_SELECTED
134     // Indicates which src is currently selected (one-hot)
135     // 0x00000001 [0]    CLK_GPOUT0_SELECTED (1) This slice does not have a glitchless mux
    (only the...
136     io_ro_32 selected;
137 } clock_hw_t;

```

Clock configuration requires the following pieces of information:

- The frequency of the clock source
- The mux / aux mux position of the clock source
- The desired output frequency

The SDK provides `clock_configure` to configure a clock:

SDK: https://github.com/raspberrypi/pico-sdk/blob/master/src/rp2_common/hardware_clocks/clocks.c Lines 40 - 133

```

40 static void clock_configure_internal(clock_handle_t clock, uint32_t src, uint32_t auxsrc,
    uint32_t actual_freq, uint32_t div) {
41     clock_hw_t *clock_hw = &clocks_hw->clk[clock];
42
43     // If increasing divisor, set divisor before source. Otherwise set source
44     // before divisor. This avoids a momentary overspeed when e.g. switching
45     // to a faster source and increasing divisor to compensate.
46     if (div > clock_hw->div)
47         clock_hw->div = div;
48
49     // If switching a glitchless slice (ref or sys) to an aux source, switch
50     // away from aux *first* to avoid passing glitches when changing aux mux.
51     // Assume (!!!) glitchless source 0 is no faster than the aux source.
52     if (has_glitchless_mux(clock) && src ==
    CLOCKS_CLK_SYS_CTRL_SRC_VALUE_CLKSRC_CLK_SYS_AUX) {
53         hw_clear_bits(&clock_hw->ctrl, CLOCKS_CLK_REF_CTRL_SRC_BITS);
54         while (!(clock_hw->selected & 1u))
55             tight_loop_contents();
56     }
57     // If no glitchless mux, cleanly stop the clock to avoid glitches
58     // propagating when changing aux mux. Note it would be a really bad idea
59     // to do this on one of the glitchless clocks (clk_sys, clk_ref).
60     else {
61         // Disable clock. On clk_ref and clk_sys this does nothing,
62         // all other clocks have the ENABLE bit in the same position.
63         hw_clear_bits(&clock_hw->ctrl, CLOCKS_CLK_GPOUT0_CTRL_ENABLE_BITS);
64         if (configured_freq[clock] > 0) {
65             // Delay for 3 cycles of the target clock, for ENABLE propagation.
66             // Note XOSC_COUNT is not helpful here because XOSC is not
67             // necessarily running, nor is timer...
68             uint delay_cyc = configured_freq[clk_sys] / configured_freq[clock] + 1;
69             busy_wait_at_least_cycles(delay_cyc * 3);
70         }
71     }
72
73     // Set aux mux first, and then glitchless mux if this clock has one
74     hw_write_masked(&clock_hw->ctrl,
75         (auxsrc << CLOCKS_CLK_SYS_CTRL_AUXSRC_LSB),
76         CLOCKS_CLK_SYS_CTRL_AUXSRC_BITS
77     );
78

```

```

79     if (has_glitchless_mux(clock)) {
80         hw_write_masked(&clock_hw->ctrl,
81             src << CLOCKS_CLK_REF_CTRL_SRC_LSB,
82             CLOCKS_CLK_REF_CTRL_SRC_BITS
83         );
84         while (!(clock_hw->selected & (1u << src)))
85             tight_loop_contents();
86     }
87
88     // Enable clock. On clk_ref and clk_sys this does nothing,
89     // all other clocks have the ENABLE bit in the same position.
90     hw_set_bits(&clock_hw->ctrl, CLOCKS_CLK_GPOUT0_CTRL_ENABLE_BITS);
91
92     // Now that the source is configured, we can trust that the user-supplied
93     // divisor is a safe value.
94     clock_hw->div = div;
95     configured_freq[clock] = actual_freq;
96 }
97
98 bool clock_configure(clock_handle_t clock, uint32_t src, uint32_t auxsrc, uint32_t src_freq,
99     uint32_t freq) {
100     assert(src_freq >= freq);
101
102     if (freq > src_freq)
103         return false;
104
105     uint64_t div64 = (((uint64_t) src_freq) << CLOCKS_CLK_GPOUT0_DIV_INT_LSB) / freq;
106     uint32_t div, actual_freq;
107     if (div64 >> 32) {
108         // set div to 0 for maximum clock divider
109         div = 0;
110         actual_freq = src_freq >> (32 - CLOCKS_CLK_GPOUT0_DIV_INT_LSB);
111     } else {
112         div = (uint32_t) div64;
113         actual_freq = (uint32_t) (((uint64_t) src_freq) << CLOCKS_CLK_GPOUT0_DIV_INT_LSB) /
114             div);
115     }
116
117     clock_configure_internal(clock, src, auxsrc, actual_freq, div);
118     // Store the configured frequency
119     return true;
120 }
121
122 void clock_configure_int_divider(clock_handle_t clock, uint32_t src, uint32_t auxsrc,
123     uint32_t src_freq, uint32_t int_divider) {
124     clock_configure_internal(clock, src, auxsrc, src_freq / int_divider, int_divider <<
125         CLOCKS_CLK_GPOUT0_DIV_INT_LSB);
126 }
127
128 void clock_configure_undivided(clock_handle_t clock, uint32_t src, uint32_t auxsrc, uint32_t
129     src_freq) {
130     clock_configure_internal(clock, src, auxsrc, src_freq, 1u <<
131         CLOCKS_CLK_GPOUT0_DIV_INT_LSB);
132 }

```

`clocks_init` calls `clock_configure` for each clock. The following example shows the `clk_sys` configuration:

SDK: https://github.com/raspberrypi/pico-sdk/blob/master/src/rp2_common/pico_runtime_init/runtime_init_clocks.c Lines 100 - 104

```

100     // CLK_SYS = PLL_SYS (usually) 125MHz / 1 = 125MHz
101     clock_configure_undivided(clk_sys,
102         CLOCKS_CLK_SYS_CTRL_SRC_VALUE_CLKSRC_CLK_SYS_AUX,

```

```

103         CLOCKS_CLK_SYS_CTRL_AUXSRC_VALUE_CLKSRC_PLL_SYS,
104         SYS_CLK_HZ);

```

Once a clock is configured, call `clock_get_hz` to get the output frequency in Hz.

SDK: https://github.com/raspberrypi/pico-sdk/blob/master/src/rp2_common/hardware_clocks/clocks.c Lines 137 - 139

```

137 uint32_t clock_get_hz(clock_handle_t clock) {
138     return configured_freq[clock];
139 }

```

⚠ WARNING

The frequency returned by `clock_get_hz` will be inaccurate if the provided source frequency is incorrect.

8.1.6.2. Using the frequency counter

To use the frequency counter, the programmer must:

1. Set the reference frequency: `clk_ref`.
2. Set the mux position of the source they want to measure. See `FC0_SRC`.
3. Wait for the `DONE` status bit in `FC0_STATUS` to be set.
4. Read the result.

The SDK defines a `frequency_count` function that takes the source as an argument and returns the frequency in kHz:

SDK: https://github.com/raspberrypi/pico-sdk/blob/master/src/rp2_common/hardware_clocks/clocks.c Lines 147 - 174

```

147 uint32_t frequency_count_khz(uint src) {
148     fc_hw_t *fc = &clocks_hw->fc0;
149
150     // If frequency counter is running need to wait for it. It runs even if the source is NULL
151     while(fc->status & CLOCKS_FC0_STATUS_RUNNING_BITS) {
152         tight_loop_contents();
153     }
154
155     // Set reference freq
156     fc->ref_khz = clock_get_hz(clk_ref) / 1000;
157
158     // FIXME: Don't pick random interval. Use best interval
159     fc->interval = 10;
160
161     // No min or max
162     fc->min_khz = 0;
163     fc->max_khz = 0xffffffff;
164
165     // Set SRC which automatically starts the measurement
166     fc->src = src;
167
168     while(!(fc->status & CLOCKS_FC0_STATUS_DONE_BITS)) {
169         tight_loop_contents();
170     }
171
172     // Return the result
173     return fc->result >> CLOCKS_FC0_RESULT_KHZ_LSB;
174 }

```

There is also a wrapper function to change the unit to MHz:

SDK: https://github.com/raspberrypi/pico-sdk/blob/master/src/rp2_common/hardware_clocks/include/hardware/clocks.h Lines 377 - 379

```
377 static inline float frequency_count_mhz(uint src) {
378     return ((float) (frequency_count_khz(src))) / KHZ;
379 }
```

The frequency counter can also be used in a test mode. This allows the hardware to check if the frequency is between a minimum and a maximum frequency, set in `FC0_MIN_KHZ` and `FC0_MAX_KHZ`. This mode will set one of the following bits in `FC0_STATUS` when `DONE` is set:

- **SLOW**: if the frequency is below the specified range
- **PASS**: if the frequency is within the specified range
- **FAST**: if the frequency is above the specified range
- **DIED**: if the clock is stopped or stops running

Test mode will also set the **FAIL** bit if **DIED**, **FAST**, or **SLOW** are set.

8.1.6.3. Configuring a GPIO output clock

SDK: https://github.com/raspberrypi/pico-sdk/blob/master/src/rp2_common/hardware_clocks/clocks.c Lines 245 - 263

```
245 void clock_gpio_init_int_frac16(uint gpio, uint src, uint32_t div_int, uint16_t div_frac16)
    {
246     // note this includes an invalid_params_if before defaulting to clk_gpout0
247     uint gpclk = gpio_to_gpout_clock_handle(gpio, clk_gpout0);
248
249     invalid_params_if(HARDWARE_CLOCKS, div_int >> REG_FIELD_WIDTH(
        CLOCKS_CLK_GPOUT0_DIV_INT));
250     // Set up the gpclk generator
251     clocks_hw->clk[gpclk].ctrl = (src << CLOCKS_CLK_GPOUT0_CTRL_AUXSRC_LSB) |
        CLOCKS_CLK_GPOUT0_CTRL_ENABLE_BITS;
252
253     #ifdef REG_FIELD_WIDTH(CLOCKS_CLK_GPOUT0_DIV_FRAC) == 16
254         clocks_hw->clk[gpclk].div = (div_int << CLOCKS_CLK_GPOUT0_DIV_INT_LSB) | (div_frac16 <<
            CLOCKS_CLK_GPOUT0_DIV_FRAC_LSB);
255     #elif REG_FIELD_WIDTH(CLOCKS_CLK_GPOUT0_DIV_FRAC) == 8
256         clocks_hw->clk[gpclk].div = (div_int << CLOCKS_CLK_GPOUT0_DIV_INT_LSB) | ((div_frac16
            >>8u) << CLOCKS_CLK_GPOUT0_DIV_FRAC_LSB);
257     #else
258     #error unsupported number of fractional bits
259     #endif
260
261     // Set gpio pin to gplock function
262     gpio_set_function(gpio, GPIO_FUNC_GPCK);
263 }
```

8.1.6.4. Configuring a GPIO input clock

SDK: https://github.com/raspberrypi/pico-sdk/blob/master/src/rp2_common/hardware_clocks/clocks.c Lines 300 - 330

```
300 bool clock_configure_gpin(clock_handle_t clock, uint gpio, uint32_t src_freq, uint32_t freq)
    {
301     // Configure a clock to run from a GPIO input
```



```

302     uint gpin = 0;
303     if      (gpio == 20) gpin = 0;
304     else if (gpio == 22) gpin = 1;
305     else if (gpio == 12) gpin = 0;
306     else if (gpio == 14) gpin = 1;
307     else {
308         invalid_params_if(HARDWARE_CLOCKS, true);
309     }
310
311     // Work out sources. GPIN is always an auxsrc
312     uint src = 0;
313
314     // GPIN1 == GPIN0 + 1
315     uint auxsrc = gpin0_src[clock] + gpin;
316
317     if (has_glitchless_mux(clock)) {
318         // AUX src is always 1
319         src = 1;
320     }
321
322     // Set the GPIO function
323     gpio_set_function(gpio, GPIO_FUNC_GPCK);
324
325     // Now we have the src, auxsrc, and configured the gpio input
326     // call clock configure to run the clock from a gpio
327     return clock_configure(clock, src, auxsrc, src_freq, freq);
328 }

```

8.1.6.5. Enabling resus

SDK: https://github.com/raspberrypi/pico-sdk/blob/master/src/tp2_common/hardware_clocks/clocks.c Lines 221 - 243

```

221 void clocks_enable_resus(resus_callback_t resus_callback) {
222     // Restart clk_sys if it is stopped by forcing it
223     // to the default source of clk_ref. If clk_ref stops running this will
224     // not work.
225
226     // Store user's resus callback
227     _resus_callback = resus_callback;
228
229     irq_set_exclusive_handler(CLOCKS_IRQ, clocks_irq_handler);
230
231     // Enable the resus interrupt in clocks
232     clocks_hw->inte = CLOCKS_INTE_CLK_SYS_RESUS_BITS;
233
234     // Enable the clocks irq
235     irq_set_enabled(CLOCKS_IRQ, true);
236
237     // 2 * clk_ref freq / clk_sys_min_freq;
238     // assume clk_ref is 3MHz and we want clk_sys to be no lower than 1MHz
239     uint timeout = 2 * 3 * 1;
240
241     // Enable resus with the maximum timeout
242     clocks_hw->resus.ctrl = CLOCKS_CLK_SYS_RESUS_CTRL_ENABLE_BITS | timeout;
243 }

```

8.1.6.6. Configuring sleep mode

Sleep mode is active when neither processor core nor the DMA are requesting clocks. For example, sleep mode is active when the DMA is not active and both core 0 and core 1 are waiting for an interrupt.

The `SLEEP_EN` registers set what clocks run in sleep mode. The `hello_sleep` example ([hello_sleep_aon.c in the pico-playground GitHub repository](#)) illustrates how to put the chip to sleep until the AON Timer fires.

NOTE

`clk_sys` is always sent to `proc0` and `proc1` during sleep mode, as some logic must be clocked for the processor to wake up again.

Pico Extras: https://github.com/raspberrypi/pico-extras/blob/master/src/rp2_common/pico_sleep/sleep.c Lines 159 - 183

```

159 void sleep_goto_sleep_until(struct timespec *ts, aon_timer_alarm_handler_t callback)
160 {
161
162     // We should have already called the sleep_run_from_dormant_source function
163     // This is only needed for dormancy although it saves power running from xosc while
    sleeping
164     //assert(dormant_source_valid(_dormant_source));
165
166     clocks_hw->sleep_en0 = CLOCKS_SLEEP_EN0_CLK_REF_POWMAN_BITS;
167     clocks_hw->sleep_en1 = 0x0;
168
169     aon_timer_enable_alarm(ts, callback, false);
170
171     stdio_flush();
172
173     // Enable deep sleep at the proc
174     processor_deep_sleep();
175
176     // Go to sleep
177     __wfi();
178 }
    
```

8.1.7. List of registers

The clocks registers start at a base address of `0x40010000` (defined as `CLOCKS_BASE` in SDK).

Table 543. List of CLOCKS registers

| Offset | Name | Info |
|--------|-------------------------------------|--|
| 0x00 | CLK_GPOUT0_CTRL | Clock control, can be changed on-the-fly (except for auxsrc) |
| 0x04 | CLK_GPOUT0_DIV | |
| 0x08 | CLK_GPOUT0_SELECTED | Indicates which src is currently selected (one-hot) |
| 0x0c | CLK_GPOUT1_CTRL | Clock control, can be changed on-the-fly (except for auxsrc) |
| 0x10 | CLK_GPOUT1_DIV | |
| 0x14 | CLK_GPOUT1_SELECTED | Indicates which src is currently selected (one-hot) |
| 0x18 | CLK_GPOUT2_CTRL | Clock control, can be changed on-the-fly (except for auxsrc) |
| 0x1c | CLK_GPOUT2_DIV | |
| 0x20 | CLK_GPOUT2_SELECTED | Indicates which src is currently selected (one-hot) |
| 0x24 | CLK_GPOUT3_CTRL | Clock control, can be changed on-the-fly (except for auxsrc) |

| Offset | Name | Info |
|--------|----------------------|---|
| 0x28 | CLK_GPOUT3_DIV | |
| 0x2c | CLK_GPOUT3_SELECTED | Indicates which src is currently selected (one-hot) |
| 0x30 | CLK_REF_CTRL | Clock control, can be changed on-the-fly (except for auxsrc) |
| 0x34 | CLK_REF_DIV | |
| 0x38 | CLK_REF_SELECTED | Indicates which src is currently selected (one-hot) |
| 0x3c | CLK_SYS_CTRL | Clock control, can be changed on-the-fly (except for auxsrc) |
| 0x40 | CLK_SYS_DIV | |
| 0x44 | CLK_SYS_SELECTED | Indicates which src is currently selected (one-hot) |
| 0x48 | CLK_PERI_CTRL | Clock control, can be changed on-the-fly (except for auxsrc) |
| 0x4c | CLK_PERI_DIV | |
| 0x50 | CLK_PERI_SELECTED | Indicates which src is currently selected (one-hot) |
| 0x54 | CLK_HSTX_CTRL | Clock control, can be changed on-the-fly (except for auxsrc) |
| 0x58 | CLK_HSTX_DIV | |
| 0x5c | CLK_HSTX_SELECTED | Indicates which src is currently selected (one-hot) |
| 0x60 | CLK_USB_CTRL | Clock control, can be changed on-the-fly (except for auxsrc) |
| 0x64 | CLK_USB_DIV | |
| 0x68 | CLK_USB_SELECTED | Indicates which src is currently selected (one-hot) |
| 0x6c | CLK_ADC_CTRL | Clock control, can be changed on-the-fly (except for auxsrc) |
| 0x70 | CLK_ADC_DIV | |
| 0x74 | CLK_ADC_SELECTED | Indicates which src is currently selected (one-hot) |
| 0x78 | DFTCLK_XOSC_CTRL | |
| 0x7c | DFTCLK_ROSC_CTRL | |
| 0x80 | DFTCLK_LPOSC_CTRL | |
| 0x84 | CLK_SYS_RESUS_CTRL | |
| 0x88 | CLK_SYS_RESUS_STATUS | |
| 0x8c | FC0_REF_KHZ | Reference clock frequency in kHz |
| 0x90 | FC0_MIN_KHZ | Minimum pass frequency in kHz. This is optional. Set to 0 if you are not using the pass/fail flags |
| 0x94 | FC0_MAX_KHZ | Maximum pass frequency in kHz. This is optional. Set to 0x1fffff if you are not using the pass/fail flags |
| 0x98 | FC0_DELAY | Delays the start of frequency counting to allow the mux to settle Delay is measured in multiples of the reference clock period |
| 0x9c | FC0_INTERVAL | The test interval is $0.98\mu s * 2^{**}interval$, but let's call it $1\mu s * 2^{**}interval$ The default gives a test interval of 250us |
| 0xa0 | FC0_SRC | Clock sent to frequency counter, set to 0 when not required Writing to this register initiates the frequency count |
| 0xa4 | FC0_STATUS | Frequency counter status |

| Offset | Name | Info |
|--------|------------|--|
| 0xa8 | FC0_RESULT | Result of frequency measurement, only valid when status_done=1 |
| 0xac | WAKE_EN0 | enable clock in wake mode |
| 0xb0 | WAKE_EN1 | enable clock in wake mode |
| 0xb4 | SLEEP_EN0 | enable clock in sleep mode |
| 0xb8 | SLEEP_EN1 | enable clock in sleep mode |
| 0xbc | ENABLED0 | indicates the state of the clock enable |
| 0xc0 | ENABLED1 | indicates the state of the clock enable |
| 0xc4 | INTR | Raw Interrupts |
| 0xc8 | INTE | Interrupt Enable |
| 0xcc | INTF | Interrupt Force |
| 0xd0 | INTS | Interrupt status after masking & forcing |

CLOCKS: CLK_GPOUT0_CTRL Register

Offset: 0x00

Description

Clock control, can be changed on-the-fly (except for auxsrc)

Table 544.
CLK_GPOUT0_CTRL
Register

| Bits | Description | Type | Reset |
|-------|--|------|-------|
| 31:29 | Reserved. | - | - |
| 28 | ENABLED : clock generator is enabled | RO | 0x0 |
| 27:21 | Reserved. | - | - |
| 20 | NUDGE : An edge on this signal shifts the phase of the output by 1 cycle of the input clock This can be done at any time | RW | 0x0 |
| 19:18 | Reserved. | - | - |
| 17:16 | PHASE : This delays the enable signal by up to 3 cycles of the input clock This must be set before the clock is enabled to have any effect | RW | 0x0 |
| 15:13 | Reserved. | - | - |
| 12 | DC50 : Enables duty cycle correction for odd divisors, can be changed on-the-fly | RW | 0x0 |
| 11 | ENABLE : Starts and stops the clock generator cleanly | RW | 0x0 |
| 10 | KILL : Asynchronously kills the clock generator, enable must be set low before deasserting kill | RW | 0x0 |
| 9 | Reserved. | - | - |
| 8:5 | AUXSRC : Selects the auxiliary clock source, will glitch when switching | RW | 0x0 |
| | Enumerated values: | | |
| | 0x0 → CLKSRC_PLL_SYS | | |
| | 0x1 → CLKSRC_GPINO | | |

| Bits | Description | Type | Reset |
|------|---------------------------------------|------|-------|
| | 0x2 → CLKSRC_GPIN1 | | |
| | 0x3 → CLKSRC_PLL_USB | | |
| | 0x4 → CLKSRC_PLL_USB_PRIMARY_REF_OPCG | | |
| | 0x5 → ROSC_CLKSRC | | |
| | 0x6 → XOSC_CLKSRC | | |
| | 0x7 → LPOSC_CLKSRC | | |
| | 0x8 → CLK_SYS | | |
| | 0x9 → CLK_USB | | |
| | 0xa → CLK_ADC | | |
| | 0xb → CLK_REF | | |
| | 0xc → CLK_PERI | | |
| | 0xd → CLK_HSTX | | |
| | 0xe → OTP_CLK2FC | | |
| 4:0 | Reserved. | - | - |

CLOCKS: CLK_GPOUT0_DIV Register

Offset: 0x04

Table 545.
CLK_GPOUT0_DIV
Register

| Bits | Description | Type | Reset |
|-------|---|------|--------|
| 31:16 | INT: Integer part of clock divisor, 0 → max+1, can be changed on-the-fly | RW | 0x0001 |
| 15:0 | FRAC: Fractional component of the divisor, can be changed on-the-fly | RW | 0x0000 |

CLOCKS: CLK_GPOUT0_SELECTED Register

Offset: 0x08

Description

Indicates which src is currently selected (one-hot)

Table 546.
CLK_GPOUT0_SELECTED
Register

| Bits | Description | Type | Reset |
|------|--|------|-------|
| 31:1 | Reserved. | - | - |
| 0 | This slice does not have a glitchless mux (only the AUX_SRC field is present, not SRC) so this register is hardwired to 0x1. | RO | 0x1 |

CLOCKS: CLK_GPOUT1_CTRL Register

Offset: 0x0c

Description

Clock control, can be changed on-the-fly (except for auxsrc)

Table 547.
CLK_GPOUT1_CTRL
Register

| Bits | Description | Type | Reset |
|-------|--|------|-------|
| 31:29 | Reserved. | - | - |
| 28 | ENABLED: clock generator is enabled | RO | 0x0 |

| Bits | Description | Type | Reset |
|-------|--|------|-------|
| 27:21 | Reserved. | - | - |
| 20 | NUDGE : An edge on this signal shifts the phase of the output by 1 cycle of the input clock This can be done at any time | RW | 0x0 |
| 19:18 | Reserved. | - | - |
| 17:16 | PHASE : This delays the enable signal by up to 3 cycles of the input clock This must be set before the clock is enabled to have any effect | RW | 0x0 |
| 15:13 | Reserved. | - | - |
| 12 | DC50 : Enables duty cycle correction for odd divisors, can be changed on-the-fly | RW | 0x0 |
| 11 | ENABLE : Starts and stops the clock generator cleanly | RW | 0x0 |
| 10 | KILL : Asynchronously kills the clock generator, enable must be set low before deasserting kill | RW | 0x0 |
| 9 | Reserved. | - | - |
| 8:5 | AUXSRC : Selects the auxiliary clock source, will glitch when switching | RW | 0x0 |
| | Enumerated values: | | |
| | 0x0 → CLKSRC_PLL_SYS | | |
| | 0x1 → CLKSRC_GPIN0 | | |
| | 0x2 → CLKSRC_GPIN1 | | |
| | 0x3 → CLKSRC_PLL_USB | | |
| | 0x4 → CLKSRC_PLL_USB_PRIMARY_REF_OPCG | | |
| | 0x5 → ROSC_CLKSRC | | |
| | 0x6 → XOSC_CLKSRC | | |
| | 0x7 → LPOSC_CLKSRC | | |
| | 0x8 → CLK_SYS | | |
| | 0x9 → CLK_USB | | |
| | 0xa → CLK_ADC | | |
| | 0xb → CLK_REF | | |
| | 0xc → CLK_PERI | | |
| | 0xd → CLK_HSTX | | |
| | 0xe → OTP_CLK2FC | | |
| 4:0 | Reserved. | - | - |

CLOCKS: CLK_GPOUT1_DIV Register

Offset: 0x10

Table 548.
CLK_GPOUT1_DIV
Register

| Bits | Description | Type | Reset |
|-------|--|------|--------|
| 31:16 | INT : Integer part of clock divisor, 0 → max+1, can be changed on-the-fly | RW | 0x0001 |

| Bits | Description | Type | Reset |
|------|---|------|--------|
| 15:0 | FRAC: Fractional component of the divisor, can be changed on-the-fly | RW | 0x0000 |

CLOCKS: CLK_GPOUT1_SELECTED Register

Offset: 0x14

Description

Indicates which src is currently selected (one-hot)

Table 549.
CLK_GPOUT1_SELECTED Register

| Bits | Description | Type | Reset |
|------|--|------|-------|
| 31:1 | Reserved. | - | - |
| 0 | This slice does not have a glitchless mux (only the AUX_SRC field is present, not SRC) so this register is hardwired to 0x1. | RO | 0x1 |

CLOCKS: CLK_GPOUT2_CTRL Register

Offset: 0x18

Description

Clock control, can be changed on-the-fly (except for auxsrc)

Table 550.
CLK_GPOUT2_CTRL Register

| Bits | Description | Type | Reset |
|-------|---|------|-------|
| 31:29 | Reserved. | - | - |
| 28 | ENABLED: clock generator is enabled | RO | 0x0 |
| 27:21 | Reserved. | - | - |
| 20 | NUDGE: An edge on this signal shifts the phase of the output by 1 cycle of the input clock This can be done at any time | RW | 0x0 |
| 19:18 | Reserved. | - | - |
| 17:16 | PHASE: This delays the enable signal by up to 3 cycles of the input clock This must be set before the clock is enabled to have any effect | RW | 0x0 |
| 15:13 | Reserved. | - | - |
| 12 | DC50: Enables duty cycle correction for odd divisors, can be changed on-the-fly | RW | 0x0 |
| 11 | ENABLE: Starts and stops the clock generator cleanly | RW | 0x0 |
| 10 | KILL: Asynchronously kills the clock generator, enable must be set low before deasserting kill | RW | 0x0 |
| 9 | Reserved. | - | - |
| 8:5 | AUXSRC: Selects the auxiliary clock source, will glitch when switching | RW | 0x0 |
| | Enumerated values: | | |
| | 0x0 → CLKSRC_PLL_SYS | | |
| | 0x1 → CLKSRC_GPIN0 | | |
| | 0x2 → CLKSRC_GPIN1 | | |
| | 0x3 → CLKSRC_PLL_USB | | |
| | 0x4 → CLKSRC_PLL_USB_PRIMARY_REF_OPCG | | |

| Bits | Description | Type | Reset |
|------|-----------------------|------|-------|
| | 0x5 → ROOSC_CLKSRC_PH | | |
| | 0x6 → XOOSC_CLKSRC | | |
| | 0x7 → LPOSC_CLKSRC | | |
| | 0x8 → CLK_SYS | | |
| | 0x9 → CLK_USB | | |
| | 0xa → CLK_ADC | | |
| | 0xb → CLK_REF | | |
| | 0xc → CLK_PERI | | |
| | 0xd → CLK_HSTX | | |
| | 0xe → OTP_CLK2FC | | |
| 4:0 | Reserved. | - | - |

CLOCKS: CLK_GPOUT2_DIV Register

Offset: 0x1c

Table 551.
CLK_GPOUT2_DIV
Register

| Bits | Description | Type | Reset |
|-------|---|------|--------|
| 31:16 | INT: Integer part of clock divisor, 0 → max+1, can be changed on-the-fly | RW | 0x0001 |
| 15:0 | FRAC: Fractional component of the divisor, can be changed on-the-fly | RW | 0x0000 |

CLOCKS: CLK_GPOUT2_SELECTED Register

Offset: 0x20

Description

Indicates which src is currently selected (one-hot)

Table 552.
CLK_GPOUT2_SELECTED
Register

| Bits | Description | Type | Reset |
|------|--|------|-------|
| 31:1 | Reserved. | - | - |
| 0 | This slice does not have a glitchless mux (only the AUX_SRC field is present, not SRC) so this register is hardwired to 0x1. | RO | 0x1 |

CLOCKS: CLK_GPOUT3_CTRL Register

Offset: 0x24

Description

Clock control, can be changed on-the-fly (except for auxsrc)

Table 553.
CLK_GPOUT3_CTRL
Register

| Bits | Description | Type | Reset |
|-------|--|------|-------|
| 31:29 | Reserved. | - | - |
| 28 | ENABLED: clock generator is enabled | RO | 0x0 |
| 27:21 | Reserved. | - | - |

| Bits | Description | Type | Reset |
|-------|--|------|-------|
| 20 | NUDGE : An edge on this signal shifts the phase of the output by 1 cycle of the input clock This can be done at any time | RW | 0x0 |
| 19:18 | Reserved. | - | - |
| 17:16 | PHASE : This delays the enable signal by up to 3 cycles of the input clock This must be set before the clock is enabled to have any effect | RW | 0x0 |
| 15:13 | Reserved. | - | - |
| 12 | DC50 : Enables duty cycle correction for odd divisors, can be changed on-the-fly | RW | 0x0 |
| 11 | ENABLE : Starts and stops the clock generator cleanly | RW | 0x0 |
| 10 | KILL : Asynchronously kills the clock generator, enable must be set low before deasserting kill | RW | 0x0 |
| 9 | Reserved. | - | - |
| 8:5 | AUXSRC : Selects the auxiliary clock source, will glitch when switching | RW | 0x0 |
| | Enumerated values: | | |
| | 0x0 → CLKSRC_PLL_SYS | | |
| | 0x1 → CLKSRC_GPIN0 | | |
| | 0x2 → CLKSRC_GPIN1 | | |
| | 0x3 → CLKSRC_PLL_USB | | |
| | 0x4 → CLKSRC_PLL_USB_PRIMARY_REF_OPCG | | |
| | 0x5 → ROSC_CLKSRC_PH | | |
| | 0x6 → XOSC_CLKSRC | | |
| | 0x7 → LPOSC_CLKSRC | | |
| | 0x8 → CLK_SYS | | |
| | 0x9 → CLK_USB | | |
| | 0xa → CLK_ADC | | |
| | 0xb → CLK_REF | | |
| | 0xc → CLK_PERI | | |
| | 0xd → CLK_HSTX | | |
| | 0xe → OTP_CLK2FC | | |
| 4:0 | Reserved. | - | - |

CLOCKS: CLK_GPOUT3_DIV Register

Offset: 0x28

Table 554.
CLK_GPOUT3_DIV
Register

| Bits | Description | Type | Reset |
|-------|--|------|--------|
| 31:16 | INT : Integer part of clock divisor, 0 → max+1, can be changed on-the-fly | RW | 0x0001 |
| 15:0 | FRAC : Fractional component of the divisor, can be changed on-the-fly | RW | 0x0000 |

CLOCKS: CLK_GPOUT3_SELECTED Register

Offset: 0x2c

Description

Indicates which src is currently selected (one-hot)

Table 555.
CLK_GPOUT3_SELECT
ED Register

| Bits | Description | Type | Reset |
|------|--|------|-------|
| 31:1 | Reserved. | - | - |
| 0 | This slice does not have a glitchless mux (only the AUX_SRC field is present, not SRC) so this register is hardwired to 0x1. | RO | 0x1 |

CLOCKS: CLK_REF_CTRL Register

Offset: 0x30

Description

Clock control, can be changed on-the-fly (except for auxsrc)

Table 556.
CLK_REF_CTRL
Register

| Bits | Description | Type | Reset |
|------|--|------|-------|
| 31:7 | Reserved. | - | - |
| 6:5 | AUXSRC : Selects the auxiliary clock source, will glitch when switching | RW | 0x0 |
| | Enumerated values: | | |
| | 0x0 → CLKSRC_PLL_USB | | |
| | 0x1 → CLKSRC_GPIN0 | | |
| | 0x2 → CLKSRC_GPIN1 | | |
| | 0x3 → CLKSRC_PLL_USB_PRIMARY_REF_OPCG | | |
| 4:2 | Reserved. | - | - |
| 1:0 | SRC : Selects the clock source glitchlessly, can be changed on-the-fly | RW | - |
| | Enumerated values: | | |
| | 0x0 → ROSC_CLKSRC_PH | | |
| | 0x1 → CLKSRC_CLK_REF_AUX | | |
| | 0x2 → XOSC_CLKSRC | | |
| | 0x3 → LPOSC_CLKSRC | | |

CLOCKS: CLK_REF_DIV Register

Offset: 0x34

Table 557.
CLK_REF_DIV Register

| Bits | Description | Type | Reset |
|-------|--|------|-------|
| 31:24 | Reserved. | - | - |
| 23:16 | INT : Integer part of clock divisor, 0 → max+1, can be changed on-the-fly | RW | 0x01 |

| Bits | Description | Type | Reset |
|------|-------------|------|-------|
| 15:0 | Reserved. | - | - |

CLOCKS: CLK_REF_SELECTED Register

Offset: 0x38

Description

Indicates which src is currently selected (one-hot)

Table 558.
CLK_REF_SELECTED
Register

| Bits | Description | Type | Reset |
|------|---|------|-------|
| 31:4 | Reserved. | - | - |
| 3:0 | The glitchless multiplexer does not switch instantaneously (to avoid glitches), so software should poll this register to wait for the switch to complete. This register contains one decoded bit for each of the clock sources enumerated in the CTRL SRC field. At most one of these bits will be set at any time, indicating that clock is currently present at the output of the glitchless mux. Whilst switching is in progress, this register may briefly show all-0s. | RO | 0x1 |

CLOCKS: CLK_SYS_CTRL Register

Offset: 0x3c

Description

Clock control, can be changed on-the-fly (except for auxsrc)

Table 559.
CLK_SYS_CTRL
Register

| Bits | Description | Type | Reset |
|------|---|------|-------|
| 31:8 | Reserved. | - | - |
| 7:5 | AUXSRC: Selects the auxiliary clock source, will glitch when switching | RW | 0x2 |
| | Enumerated values: | | |
| | 0x0 → CLKSRC_PLL_SYS | | |
| | 0x1 → CLKSRC_PLL_USB | | |
| | 0x2 → ROSC_CLKSRC | | |
| | 0x3 → XOSC_CLKSRC | | |
| | 0x4 → CLKSRC_GPIN0 | | |
| | 0x5 → CLKSRC_GPIN1 | | |
| 4:1 | Reserved. | - | - |
| 0 | SRC: Selects the clock source glitchlessly, can be changed on-the-fly | RW | 0x1 |
| | Enumerated values: | | |
| | 0x0 → CLK_REF | | |
| | 0x1 → CLKSRC_CLK_SYS_AUX | | |

CLOCKS: CLK_SYS_DIV Register

Offset: 0x40

Table 560.
CLK_SYS_DIV Register

| Bits | Description | Type | Reset |
|-------|--|------|--------|
| 31:16 | INT : Integer part of clock divisor, 0 → max+1, can be changed on-the-fly | RW | 0x0001 |
| 15:0 | FRAC : Fractional component of the divisor, can be changed on-the-fly | RW | 0x0000 |

CLOCKS: CLK_SYS_SELECTED Register

Offset: 0x44

Description

Indicates which src is currently selected (one-hot)

Table 561.
CLK_SYS_SELECTED Register

| Bits | Description | Type | Reset |
|------|---|------|-------|
| 31:2 | Reserved. | - | - |
| 1:0 | The glitchless multiplexer does not switch instantaneously (to avoid glitches), so software should poll this register to wait for the switch to complete. This register contains one decoded bit for each of the clock sources enumerated in the CTRL SRC field. At most one of these bits will be set at any time, indicating that clock is currently present at the output of the glitchless mux. Whilst switching is in progress, this register may briefly show all-0s. | RO | 0x1 |

CLOCKS: CLK_PERI_CTRL Register

Offset: 0x48

Description

Clock control, can be changed on-the-fly (except for auxsrc)

Table 562.
CLK_PERI_CTRL Register

| Bits | Description | Type | Reset |
|-------|--|------|-------|
| 31:29 | Reserved. | - | - |
| 28 | ENABLED : clock generator is enabled | RO | 0x0 |
| 27:12 | Reserved. | - | - |
| 11 | ENABLE : Starts and stops the clock generator cleanly | RW | 0x0 |
| 10 | KILL : Asynchronously kills the clock generator, enable must be set low before deasserting kill | RW | 0x0 |
| 9:8 | Reserved. | - | - |
| 7:5 | AUXSRC : Selects the auxiliary clock source, will glitch when switching | RW | 0x0 |
| | Enumerated values: | | |
| | 0x0 → CLK_SYS | | |
| | 0x1 → CLKSRC_PLL_SYS | | |
| | 0x2 → CLKSRC_PLL_USB | | |
| | 0x3 → ROSC_CLKSRC_PH | | |
| | 0x4 → XOSC_CLKSRC | | |
| | 0x5 → CLKSRC_GPIN0 | | |
| | 0x6 → CLKSRC_GPIN1 | | |
| 4:0 | Reserved. | - | - |

CLOCKS: CLK_PERI_DIV Register

Offset: 0x4c

Table 563.
CLK_PERI_DIV
Register

| Bits | Description | Type | Reset |
|-------|--|------|-------|
| 31:18 | Reserved. | - | - |
| 17:16 | INT : Integer part of clock divisor, 0 → max+1, can be changed on-the-fly | RW | 0x1 |
| 15:0 | Reserved. | - | - |

CLOCKS: CLK_PERI_SELECTED Register

Offset: 0x50

Description

Indicates which src is currently selected (one-hot)

Table 564.
CLK_PERI_SELECTED
Register

| Bits | Description | Type | Reset |
|------|--|------|-------|
| 31:1 | Reserved. | - | - |
| 0 | This slice does not have a glitchless mux (only the AUX_SRC field is present, not SRC) so this register is hardwired to 0x1. | RO | 0x1 |

CLOCKS: CLK_HSTX_CTRL Register

Offset: 0x54

Description

Clock control, can be changed on-the-fly (except for auxsrc)

Table 565.
CLK_HSTX_CTRL
Register

| Bits | Description | Type | Reset |
|-------|--|------|-------|
| 31:29 | Reserved. | - | - |
| 28 | ENABLED : clock generator is enabled | RO | 0x0 |
| 27:21 | Reserved. | - | - |
| 20 | NUDGE : An edge on this signal shifts the phase of the output by 1 cycle of the input clock This can be done at any time | RW | 0x0 |
| 19:18 | Reserved. | - | - |
| 17:16 | PHASE : This delays the enable signal by up to 3 cycles of the input clock This must be set before the clock is enabled to have any effect | RW | 0x0 |
| 15:12 | Reserved. | - | - |
| 11 | ENABLE : Starts and stops the clock generator cleanly | RW | 0x0 |
| 10 | KILL : Asynchronously kills the clock generator, enable must be set low before deasserting kill | RW | 0x0 |
| 9:8 | Reserved. | - | - |
| 7:5 | AUXSRC : Selects the auxiliary clock source, will glitch when switching | RW | 0x0 |
| | Enumerated values: | | |
| | 0x0 → CLK_SYS | | |
| | 0x1 → CLKSRC_PLL_SYS | | |

| Bits | Description | Type | Reset |
|------|----------------------|------|-------|
| | 0x2 → CLKSRC_PLL_USB | | |
| | 0x3 → CLKSRC_GPIN0 | | |
| | 0x4 → CLKSRC_GPIN1 | | |
| 4:0 | Reserved. | - | - |

CLOCKS: CLK_HSTX_DIV Register

Offset: 0x58

Table 566.
CLK_HSTX_DIV
Register

| Bits | Description | Type | Reset |
|-------|--|------|-------|
| 31:18 | Reserved. | - | - |
| 17:16 | INT : Integer part of clock divisor, 0 → max+1, can be changed on-the-fly | RW | 0x1 |
| 15:0 | Reserved. | - | - |

CLOCKS: CLK_HSTX_SELECTED Register

Offset: 0x5c

Description

Indicates which src is currently selected (one-hot)

Table 567.
CLK_HSTX_SELECTED
Register

| Bits | Description | Type | Reset |
|------|--|------|-------|
| 31:1 | Reserved. | - | - |
| 0 | This slice does not have a glitchless mux (only the AUX_SRC field is present, not SRC) so this register is hardwired to 0x1. | RO | 0x1 |

CLOCKS: CLK_USB_CTRL Register

Offset: 0x60

Description

Clock control, can be changed on-the-fly (except for auxsrc)

Table 568.
CLK_USB_CTRL
Register

| Bits | Description | Type | Reset |
|-------|--|------|-------|
| 31:29 | Reserved. | - | - |
| 28 | ENABLED : clock generator is enabled | RO | 0x0 |
| 27:21 | Reserved. | - | - |
| 20 | NUDGE : An edge on this signal shifts the phase of the output by 1 cycle of the input clock This can be done at any time | RW | 0x0 |
| 19:18 | Reserved. | - | - |
| 17:16 | PHASE : This delays the enable signal by up to 3 cycles of the input clock This must be set before the clock is enabled to have any effect | RW | 0x0 |
| 15:12 | Reserved. | - | - |
| 11 | ENABLE : Starts and stops the clock generator cleanly | RW | 0x0 |

| Bits | Description | Type | Reset |
|------|--|------|-------|
| 10 | KILL : Asynchronously kills the clock generator, enable must be set low before deasserting kill | RW | 0x0 |
| 9:8 | Reserved. | - | - |
| 7:5 | AUXSRC : Selects the auxiliary clock source, will glitch when switching | RW | 0x0 |
| | Enumerated values: | | |
| | 0x0 → CLKSRC_PLL_USB | | |
| | 0x1 → CLKSRC_PLL_SYS | | |
| | 0x2 → ROSC_CLKSRC_PH | | |
| | 0x3 → XOSC_CLKSRC | | |
| | 0x4 → CLKSRC_GPIN0 | | |
| | 0x5 → CLKSRC_GPIN1 | | |
| 4:0 | Reserved. | - | - |

CLOCKS: CLK_USB_DIV Register

Offset: 0x64

Table 569.
CLK_USB_DIV Register

| Bits | Description | Type | Reset |
|-------|--|------|-------|
| 31:20 | Reserved. | - | - |
| 19:16 | INT : Integer part of clock divisor, 0 → max+1, can be changed on-the-fly | RW | 0x1 |
| 15:0 | Reserved. | - | - |

CLOCKS: CLK_USB_SELECTED Register

Offset: 0x68

Description

Indicates which src is currently selected (one-hot)

Table 570.
CLK_USB_SELECTED Register

| Bits | Description | Type | Reset |
|------|--|------|-------|
| 31:1 | Reserved. | - | - |
| 0 | This slice does not have a glitchless mux (only the AUX_SRC field is present, not SRC) so this register is hardwired to 0x1. | RO | 0x1 |

CLOCKS: CLK_ADC_CTRL Register

Offset: 0x6c

Description

Clock control, can be changed on-the-fly (except for auxsrc)

Table 571.
CLK_ADC_CTRL Register

| Bits | Description | Type | Reset |
|-------|---|------|-------|
| 31:29 | Reserved. | - | - |
| 28 | ENABLED : clock generator is enabled | RO | 0x0 |
| 27:21 | Reserved. | - | - |

| Bits | Description | Type | Reset |
|-------|---|------|-------|
| 20 | NUDGE: An edge on this signal shifts the phase of the output by 1 cycle of the input clock This can be done at any time | RW | 0x0 |
| 19:18 | Reserved. | - | - |
| 17:16 | PHASE: This delays the enable signal by up to 3 cycles of the input clock This must be set before the clock is enabled to have any effect | RW | 0x0 |
| 15:12 | Reserved. | - | - |
| 11 | ENABLE: Starts and stops the clock generator cleanly | RW | 0x0 |
| 10 | KILL: Asynchronously kills the clock generator, enable must be set low before deasserting kill | RW | 0x0 |
| 9:8 | Reserved. | - | - |
| 7:5 | AUXSRC: Selects the auxiliary clock source, will glitch when switching | RW | 0x0 |
| | Enumerated values: | | |
| | 0x0 → CLKSRC_PLL_USB | | |
| | 0x1 → CLKSRC_PLL_SYS | | |
| | 0x2 → ROSC_CLKSRC_PH | | |
| | 0x3 → XOSC_CLKSRC | | |
| | 0x4 → CLKSRC_GPIN0 | | |
| | 0x5 → CLKSRC_GPIN1 | | |
| 4:0 | Reserved. | - | - |

CLOCKS: CLK_ADC_DIV Register

Offset: 0x70

Table 572.
CLK_ADC_DIV Register

| Bits | Description | Type | Reset |
|-------|---|------|-------|
| 31:20 | Reserved. | - | - |
| 19:16 | INT: Integer part of clock divisor, 0 → max+1, can be changed on-the-fly | RW | 0x1 |
| 15:0 | Reserved. | - | - |

CLOCKS: CLK_ADC_SELECTED Register

Offset: 0x74

Description

Indicates which src is currently selected (one-hot)

Table 573.
CLK_ADC_SELECTED
Register

| Bits | Description | Type | Reset |
|------|--|------|-------|
| 31:1 | Reserved. | - | - |
| 0 | This slice does not have a glitchless mux (only the AUX_SRC field is present, not SRC) so this register is hardwired to 0x1. | RO | 0x1 |

CLOCKS: DFTCLK_XOSC_CTRL Register

Offset: 0x78

Table 574.
DFTCLK_XOSC_CTRL
Register

| Bits | Description | Type | Reset |
|------|------------------------------|------|-------|
| 31:2 | Reserved. | - | - |
| 1:0 | SRC | RW | 0x0 |
| | Enumerated values: | | |
| | 0x0 → NULL | | |
| | 0x1 → CLKSRC_PLL_USB_PRIMARY | | |
| | 0x2 → CLKSRC_GPIN0 | | |

CLOCKS: DFTCLK_ROSC_CTRL Register

Offset: 0x7c

Table 575.
DFTCLK_ROSC_CTRL
Register

| Bits | Description | Type | Reset |
|------|-----------------------------------|------|-------|
| 31:2 | Reserved. | - | - |
| 1:0 | SRC | RW | 0x0 |
| | Enumerated values: | | |
| | 0x0 → NULL | | |
| | 0x1 → CLKSRC_PLL_SYS_PRIMARY_ROSC | | |
| | 0x2 → CLKSRC_GPIN1 | | |

CLOCKS: DFTCLK_LPOSC_CTRL Register

Offset: 0x80

Table 576.
DFTCLK_LPOSC_CTRL
Register

| Bits | Description | Type | Reset |
|------|------------------------------------|------|-------|
| 31:2 | Reserved. | - | - |
| 1:0 | SRC | RW | 0x0 |
| | Enumerated values: | | |
| | 0x0 → NULL | | |
| | 0x1 → CLKSRC_PLL_USB_PRIMARY_LPOSC | | |
| | 0x2 → CLKSRC_GPIN1 | | |

CLOCKS: CLK_SYS_RESUS_CTRL Register

Offset: 0x84

Table 577.
CLK_SYS_RESUS_CTL Register

| Bits | Description | Type | Reset |
|-------|---|------|-------|
| 31:17 | Reserved. | - | - |
| 16 | CLEAR : For clearing the resus after the fault that triggered it has been corrected | RW | 0x0 |
| 15:13 | Reserved. | - | - |
| 12 | FRCE : Force a resus, for test purposes only | RW | 0x0 |
| 11:9 | Reserved. | - | - |
| 8 | ENABLE : Enable resus | RW | 0x0 |
| 7:0 | TIMEOUT : This is expressed as a number of clk_ref cycles and must be $\geq 2 \times \text{clk_ref_freq} / \text{min_clk_tst_freq}$ | RW | 0xff |

CLOCKS: CLK_SYS_RESUS_STATUS Register

Offset: 0x88

Table 578.
CLK_SYS_RESUS_STATUS Register

| Bits | Description | Type | Reset |
|------|---|------|-------|
| 31:1 | Reserved. | - | - |
| 0 | RESUSSED : Clock has been resuscitated, correct the error then send ctrl_clear=1 | RO | 0x0 |

CLOCKS: FC0_REF_KHZ Register

Offset: 0x8c

Table 579.
FC0_REF_KHZ Register

| Bits | Description | Type | Reset |
|-------|----------------------------------|------|---------|
| 31:20 | Reserved. | - | - |
| 19:0 | Reference clock frequency in kHz | RW | 0x00000 |

CLOCKS: FC0_MIN_KHZ Register

Offset: 0x90

Table 580.
FC0_MIN_KHZ Register

| Bits | Description | Type | Reset |
|-------|--|------|-----------|
| 31:25 | Reserved. | - | - |
| 24:0 | Minimum pass frequency in kHz. This is optional. Set to 0 if you are not using the pass/fail flags | RW | 0x0000000 |

CLOCKS: FC0_MAX_KHZ Register

Offset: 0x94

Table 581.
FC0_MAX_KHZ Register

| Bits | Description | Type | Reset |
|-------|--|------|-----------|
| 31:25 | Reserved. | - | - |
| 24:0 | Maximum pass frequency in kHz. This is optional. Set to 0x1ffffff if you are not using the pass/fail flags | RW | 0x1ffffff |

CLOCKS: FC0_DELAY Register

Offset: 0x98

Table 582. FC0_DELAY Register

| Bits | Description | Type | Reset |
|------|---|------|-------|
| 31:3 | Reserved. | - | - |
| 2:0 | Delays the start of frequency counting to allow the mux to settle Delay is measured in multiples of the reference clock period | RW | 0x1 |

CLOCKS: FC0_INTERVAL Register

Offset: 0x9c

Table 583. FC0_INTERVAL Register

| Bits | Description | Type | Reset |
|------|---|------|-------|
| 31:4 | Reserved. | - | - |
| 3:0 | The test interval is $0.98\mu s * 2^{**}interval$, but let's call it $1\mu s * 2^{**}interval$ The default gives a test interval of 250us | RW | 0x8 |

CLOCKS: FC0_SRC Register

Offset: 0xa0

Table 584. FC0_SRC Register

| Bits | Description | Type | Reset |
|------|---|------|-------|
| 31:8 | Reserved. | - | - |
| 7:0 | Clock sent to frequency counter, set to 0 when not required Writing to this register initiates the frequency count | RW | 0x00 |
| | Enumerated values: | | |
| | 0x00 → NULL | | |
| | 0x01 → PLL_SYS_CLKSRC_PRIMARY | | |
| | 0x02 → PLL_USB_CLKSRC_PRIMARY | | |
| | 0x03 → ROSC_CLKSRC | | |
| | 0x04 → ROSC_CLKSRC_PH | | |
| | 0x05 → XOSC_CLKSRC | | |
| | 0x06 → CLKSRC_GPIN0 | | |
| | 0x07 → CLKSRC_GPIN1 | | |
| | 0x08 → CLK_REF | | |
| | 0x09 → CLK_SYS | | |
| | 0x0a → CLK_PERI | | |
| | 0x0b → CLK_USB | | |
| | 0x0c → CLK_ADC | | |
| | 0x0d → CLK_HSTX | | |
| | 0x0e → LPOSC_CLKSRC | | |
| | 0x0f → OTP_CLK2FC | | |
| | 0x10 → PLL_USB_CLKSRC_PRIMARY_DFT | | |

CLOCKS: FC0_STATUS Register

Offset: 0xa4

Description

Frequency counter status

Table 585.
FC0_STATUS Register

| Bits | Description | Type | Reset |
|-------|--|------|-------|
| 31:29 | Reserved. | - | - |
| 28 | DIED : Test clock stopped during test | RO | 0x0 |
| 27:25 | Reserved. | - | - |
| 24 | FAST : Test clock faster than expected, only valid when status_done=1 | RO | 0x0 |
| 23:21 | Reserved. | - | - |
| 20 | SLOW : Test clock slower than expected, only valid when status_done=1 | RO | 0x0 |
| 19:17 | Reserved. | - | - |
| 16 | FAIL : Test failed | RO | 0x0 |
| 15:13 | Reserved. | - | - |
| 12 | WAITING : Waiting for test clock to start | RO | 0x0 |
| 11:9 | Reserved. | - | - |
| 8 | RUNNING : Test running | RO | 0x0 |
| 7:5 | Reserved. | - | - |
| 4 | DONE : Test complete | RO | 0x0 |
| 3:1 | Reserved. | - | - |
| 0 | PASS : Test passed | RO | 0x0 |

CLOCKS: FC0_RESULT Register

Offset: 0xa8

Description

Result of frequency measurement, only valid when status_done=1

Table 586.
FC0_RESULT Register

| Bits | Description | Type | Reset |
|-------|-------------|------|-----------|
| 31:30 | Reserved. | - | - |
| 29:5 | KHZ | RO | 0x0000000 |
| 4:0 | FRAC | RO | 0x00 |

CLOCKS: WAKE_EN0 Register

Offset: 0xac

Description

enable clock in wake mode

Table 587. WAKE_EN0 Register

| Bits | Description | Type | Reset |
|------|-----------------------|------|-------|
| 31 | CLK_SYS_SIO | RW | 0x1 |
| 30 | CLK_SYS_SHA256 | RW | 0x1 |
| 29 | CLK_SYS_PSM | RW | 0x1 |
| 28 | CLK_SYS_ROSC | RW | 0x1 |

| Bits | Description | Type | Reset |
|------|-------------------------|------|-------|
| 27 | CLK_SYS_ROM | RW | 0x1 |
| 26 | CLK_SYS_RESETS | RW | 0x1 |
| 25 | CLK_SYS_PWM | RW | 0x1 |
| 24 | CLK_SYS_POWMAN | RW | 0x1 |
| 23 | CLK_REF_POWMAN | RW | 0x1 |
| 22 | CLK_SYS_PLL_USB | RW | 0x1 |
| 21 | CLK_SYS_PLL_SYS | RW | 0x1 |
| 20 | CLK_SYS_PIO2 | RW | 0x1 |
| 19 | CLK_SYS_PIO1 | RW | 0x1 |
| 18 | CLK_SYS_PIO0 | RW | 0x1 |
| 17 | CLK_SYS_PADS | RW | 0x1 |
| 16 | CLK_SYS_OTP | RW | 0x1 |
| 15 | CLK_REF_OTP | RW | 0x1 |
| 14 | CLK_SYS_JTAG | RW | 0x1 |
| 13 | CLK_SYS_IO | RW | 0x1 |
| 12 | CLK_SYS_I2C1 | RW | 0x1 |
| 11 | CLK_SYS_I2C0 | RW | 0x1 |
| 10 | CLK_SYS_HSTX | RW | 0x1 |
| 9 | CLK_HSTX | RW | 0x1 |
| 8 | CLK_SYS_GLITCH_DETECTOR | RW | 0x1 |
| 7 | CLK_SYS_DMA | RW | 0x1 |
| 6 | CLK_SYS_BUSFABRIC | RW | 0x1 |
| 5 | CLK_SYS_BUSCTRL | RW | 0x1 |
| 4 | CLK_SYS_BOOTRAM | RW | 0x1 |
| 3 | CLK_SYS_ADC | RW | 0x1 |
| 2 | CLK_ADC_ADC | RW | 0x1 |
| 1 | CLK_SYS_ACCESSCTRL | RW | 0x1 |
| 0 | CLK_SYS_CLOCKS | RW | 0x1 |

CLOCKS: WAKE_EN1 Register

Offset: 0xb0

Description

enable clock in wake mode

Table 588. WAKE_EN1 Register

| Bits | Description | Type | Reset |
|------|--------------|------|-------|
| 31 | Reserved. | - | - |
| 30 | CLK_SYS_XOSC | RW | 0x1 |

| Bits | Description | Type | Reset |
|------|------------------|------|-------|
| 29 | CLK_SYS_XIP | RW | 0x1 |
| 28 | CLK_SYS_WATCHDOG | RW | 0x1 |
| 27 | CLK_USB | RW | 0x1 |
| 26 | CLK_SYS_USBCTRL | RW | 0x1 |
| 25 | CLK_SYS_UART1 | RW | 0x1 |
| 24 | CLK_PERI_UART1 | RW | 0x1 |
| 23 | CLK_SYS_UART0 | RW | 0x1 |
| 22 | CLK_PERI_UART0 | RW | 0x1 |
| 21 | CLK_SYS_TRNG | RW | 0x1 |
| 20 | CLK_SYS_TIMER1 | RW | 0x1 |
| 19 | CLK_SYS_TIMER0 | RW | 0x1 |
| 18 | CLK_SYS_TICKS | RW | 0x1 |
| 17 | CLK_REF_TICKS | RW | 0x1 |
| 16 | CLK_SYS_TBMAN | RW | 0x1 |
| 15 | CLK_SYS_SYSINFO | RW | 0x1 |
| 14 | CLK_SYS_SYSCFG | RW | 0x1 |
| 13 | CLK_SYS_SRAM9 | RW | 0x1 |
| 12 | CLK_SYS_SRAM8 | RW | 0x1 |
| 11 | CLK_SYS_SRAM7 | RW | 0x1 |
| 10 | CLK_SYS_SRAM6 | RW | 0x1 |
| 9 | CLK_SYS_SRAM5 | RW | 0x1 |
| 8 | CLK_SYS_SRAM4 | RW | 0x1 |
| 7 | CLK_SYS_SRAM3 | RW | 0x1 |
| 6 | CLK_SYS_SRAM2 | RW | 0x1 |
| 5 | CLK_SYS_SRAM1 | RW | 0x1 |
| 4 | CLK_SYS_SRAM0 | RW | 0x1 |
| 3 | CLK_SYS_SPI1 | RW | 0x1 |
| 2 | CLK_PERI_SPI1 | RW | 0x1 |
| 1 | CLK_SYS_SPI0 | RW | 0x1 |
| 0 | CLK_PERI_SPI0 | RW | 0x1 |

CLOCKS: SLEEP_EN0 Register

Offset: 0xb4

Description

enable clock in sleep mode

Table 589. SLEEP_EN0 Register

| Bits | Description | Type | Reset |
|------|-------------------------|------|-------|
| 31 | CLK_SYS_SIO | RW | 0x1 |
| 30 | CLK_SYS_SHA256 | RW | 0x1 |
| 29 | CLK_SYS_PSM | RW | 0x1 |
| 28 | CLK_SYS_ROSC | RW | 0x1 |
| 27 | CLK_SYS_ROM | RW | 0x1 |
| 26 | CLK_SYS_RESETS | RW | 0x1 |
| 25 | CLK_SYS_PWM | RW | 0x1 |
| 24 | CLK_SYS_POWMAN | RW | 0x1 |
| 23 | CLK_REF_POWMAN | RW | 0x1 |
| 22 | CLK_SYS_PLL_USB | RW | 0x1 |
| 21 | CLK_SYS_PLL_SYS | RW | 0x1 |
| 20 | CLK_SYS_PIO2 | RW | 0x1 |
| 19 | CLK_SYS_PIO1 | RW | 0x1 |
| 18 | CLK_SYS_PIO0 | RW | 0x1 |
| 17 | CLK_SYS_PADS | RW | 0x1 |
| 16 | CLK_SYS_OTP | RW | 0x1 |
| 15 | CLK_REF_OTP | RW | 0x1 |
| 14 | CLK_SYS_JTAG | RW | 0x1 |
| 13 | CLK_SYS_IO | RW | 0x1 |
| 12 | CLK_SYS_I2C1 | RW | 0x1 |
| 11 | CLK_SYS_I2C0 | RW | 0x1 |
| 10 | CLK_SYS_HSTX | RW | 0x1 |
| 9 | CLK_HSTX | RW | 0x1 |
| 8 | CLK_SYS_GLITCH_DETECTOR | RW | 0x1 |
| 7 | CLK_SYS_DMA | RW | 0x1 |
| 6 | CLK_SYS_BUSFABRIC | RW | 0x1 |
| 5 | CLK_SYS_BUSCTRL | RW | 0x1 |
| 4 | CLK_SYS_BOOTRAM | RW | 0x1 |
| 3 | CLK_SYS_ADC | RW | 0x1 |
| 2 | CLK_ADC_ADC | RW | 0x1 |
| 1 | CLK_SYS_ACCESSCTRL | RW | 0x1 |
| 0 | CLK_SYS_CLOCKS | RW | 0x1 |

CLOCKS: SLEEP_EN1 Register

Offset: 0xb8

Description

enable clock in sleep mode

Table 590. SLEEP_EN1 Register

| Bits | Description | Type | Reset |
|------|------------------|------|-------|
| 31 | Reserved. | - | - |
| 30 | CLK_SYS_XOSC | RW | 0x1 |
| 29 | CLK_SYS_XIP | RW | 0x1 |
| 28 | CLK_SYS_WATCHDOG | RW | 0x1 |
| 27 | CLK_USB | RW | 0x1 |
| 26 | CLK_SYS_USBCTRL | RW | 0x1 |
| 25 | CLK_SYS_UART1 | RW | 0x1 |
| 24 | CLK_PERI_UART1 | RW | 0x1 |
| 23 | CLK_SYS_UART0 | RW | 0x1 |
| 22 | CLK_PERI_UART0 | RW | 0x1 |
| 21 | CLK_SYS_TRNG | RW | 0x1 |
| 20 | CLK_SYS_TIMER1 | RW | 0x1 |
| 19 | CLK_SYS_TIMER0 | RW | 0x1 |
| 18 | CLK_SYS_TICKS | RW | 0x1 |
| 17 | CLK_REF_TICKS | RW | 0x1 |
| 16 | CLK_SYS_TBMAN | RW | 0x1 |
| 15 | CLK_SYS_SYSINFO | RW | 0x1 |
| 14 | CLK_SYS_SYSCFG | RW | 0x1 |
| 13 | CLK_SYS_SRAM9 | RW | 0x1 |
| 12 | CLK_SYS_SRAM8 | RW | 0x1 |
| 11 | CLK_SYS_SRAM7 | RW | 0x1 |
| 10 | CLK_SYS_SRAM6 | RW | 0x1 |
| 9 | CLK_SYS_SRAM5 | RW | 0x1 |
| 8 | CLK_SYS_SRAM4 | RW | 0x1 |
| 7 | CLK_SYS_SRAM3 | RW | 0x1 |
| 6 | CLK_SYS_SRAM2 | RW | 0x1 |
| 5 | CLK_SYS_SRAM1 | RW | 0x1 |
| 4 | CLK_SYS_SRAM0 | RW | 0x1 |
| 3 | CLK_SYS_SPI1 | RW | 0x1 |
| 2 | CLK_PERI_SPI1 | RW | 0x1 |
| 1 | CLK_SYS_SPI0 | RW | 0x1 |
| 0 | CLK_PERI_SPI0 | RW | 0x1 |

CLOCKS: ENABLED0 Register

Offset: 0xbc

Description

indicates the state of the clock enable

Table 591. ENABLED0 Register

| Bits | Description | Type | Reset |
|------|-------------------------|------|-------|
| 31 | CLK_SYS_SIO | RO | 0x0 |
| 30 | CLK_SYS_SHA256 | RO | 0x0 |
| 29 | CLK_SYS_PSM | RO | 0x0 |
| 28 | CLK_SYS_ROSC | RO | 0x0 |
| 27 | CLK_SYS_ROM | RO | 0x0 |
| 26 | CLK_SYS_RESETS | RO | 0x0 |
| 25 | CLK_SYS_PWM | RO | 0x0 |
| 24 | CLK_SYS_POWMAN | RO | 0x0 |
| 23 | CLK_REF_POWMAN | RO | 0x0 |
| 22 | CLK_SYS_PLL_USB | RO | 0x0 |
| 21 | CLK_SYS_PLL_SYS | RO | 0x0 |
| 20 | CLK_SYS_PIO2 | RO | 0x0 |
| 19 | CLK_SYS_PIO1 | RO | 0x0 |
| 18 | CLK_SYS_PIO0 | RO | 0x0 |
| 17 | CLK_SYS_PADS | RO | 0x0 |
| 16 | CLK_SYS_OTP | RO | 0x0 |
| 15 | CLK_REF_OTP | RO | 0x0 |
| 14 | CLK_SYS_JTAG | RO | 0x0 |
| 13 | CLK_SYS_IO | RO | 0x0 |
| 12 | CLK_SYS_I2C1 | RO | 0x0 |
| 11 | CLK_SYS_I2C0 | RO | 0x0 |
| 10 | CLK_SYS_HSTX | RO | 0x0 |
| 9 | CLK_HSTX | RO | 0x0 |
| 8 | CLK_SYS_GLITCH_DETECTOR | RO | 0x0 |
| 7 | CLK_SYS_DMA | RO | 0x0 |
| 6 | CLK_SYS_BUSFABRIC | RO | 0x0 |
| 5 | CLK_SYS_BUSCTRL | RO | 0x0 |
| 4 | CLK_SYS_BOOTRAM | RO | 0x0 |
| 3 | CLK_SYS_ADC | RO | 0x0 |
| 2 | CLK_ADC_ADC | RO | 0x0 |
| 1 | CLK_SYS_ACCESSCTRL | RO | 0x0 |
| 0 | CLK_SYS_CLOCKS | RO | 0x0 |

CLOCKS: ENABLED1 Register

Offset: 0xc0

Description

indicates the state of the clock enable

Table 592. ENABLED1 Register

| Bits | Description | Type | Reset |
|------|------------------|------|-------|
| 31 | Reserved. | - | - |
| 30 | CLK_SYS_XOSC | RO | 0x0 |
| 29 | CLK_SYS_XIP | RO | 0x0 |
| 28 | CLK_SYS_WATCHDOG | RO | 0x0 |
| 27 | CLK_USB | RO | 0x0 |
| 26 | CLK_SYS_USBCTRL | RO | 0x0 |
| 25 | CLK_SYS_UART1 | RO | 0x0 |
| 24 | CLK_PERI_UART1 | RO | 0x0 |
| 23 | CLK_SYS_UART0 | RO | 0x0 |
| 22 | CLK_PERI_UART0 | RO | 0x0 |
| 21 | CLK_SYS_TRNG | RO | 0x0 |
| 20 | CLK_SYS_TIMER1 | RO | 0x0 |
| 19 | CLK_SYS_TIMER0 | RO | 0x0 |
| 18 | CLK_SYS_TICKS | RO | 0x0 |
| 17 | CLK_REF_TICKS | RO | 0x0 |
| 16 | CLK_SYS_TBMAN | RO | 0x0 |
| 15 | CLK_SYS_SYSINFO | RO | 0x0 |
| 14 | CLK_SYS_SYSCFG | RO | 0x0 |
| 13 | CLK_SYS_SRAM9 | RO | 0x0 |
| 12 | CLK_SYS_SRAM8 | RO | 0x0 |
| 11 | CLK_SYS_SRAM7 | RO | 0x0 |
| 10 | CLK_SYS_SRAM6 | RO | 0x0 |
| 9 | CLK_SYS_SRAM5 | RO | 0x0 |
| 8 | CLK_SYS_SRAM4 | RO | 0x0 |
| 7 | CLK_SYS_SRAM3 | RO | 0x0 |
| 6 | CLK_SYS_SRAM2 | RO | 0x0 |
| 5 | CLK_SYS_SRAM1 | RO | 0x0 |
| 4 | CLK_SYS_SRAM0 | RO | 0x0 |
| 3 | CLK_SYS_SPI1 | RO | 0x0 |
| 2 | CLK_PERI_SPI1 | RO | 0x0 |
| 1 | CLK_SYS_SPI0 | RO | 0x0 |
| 0 | CLK_PERI_SPI0 | RO | 0x0 |

CLOCKS: INTR Register

Offset: 0xc4

Description

Raw Interrupts

Table 593. INTR Register

| Bits | Description | Type | Reset |
|------|---------------|------|-------|
| 31:1 | Reserved. | - | - |
| 0 | CLK_SYS_RESUS | RO | 0x0 |

CLOCKS: INTE Register

Offset: 0xc8

Description

Interrupt Enable

Table 594. INTE Register

| Bits | Description | Type | Reset |
|------|---------------|------|-------|
| 31:1 | Reserved. | - | - |
| 0 | CLK_SYS_RESUS | RW | 0x0 |

CLOCKS: INTF Register

Offset: 0xcc

Description

Interrupt Force

Table 595. INTF Register

| Bits | Description | Type | Reset |
|------|---------------|------|-------|
| 31:1 | Reserved. | - | - |
| 0 | CLK_SYS_RESUS | RW | 0x0 |

CLOCKS: INTS Register

Offset: 0xd0

Description

Interrupt status after masking & forcing

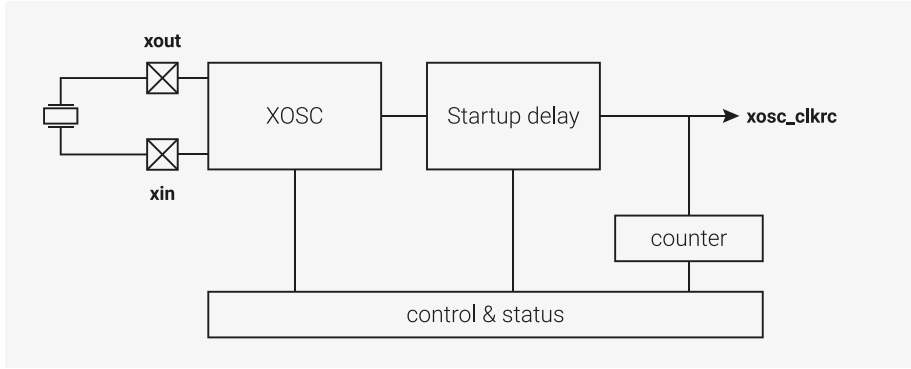
Table 596. INTS Register

| Bits | Description | Type | Reset |
|------|---------------|------|-------|
| 31:1 | Reserved. | - | - |
| 0 | CLK_SYS_RESUS | RO | 0x0 |

8.2. Crystal oscillator (XOSC)

8.2.1. Overview

Figure 38. The XOSC is an amplifier. When a piezoelectric crystal is connected across XIN and XOUT, the amplified feedback drives the crystal into mechanical resonance. This creates a precise reference for on-chip clock generation. External signals can also be driven directly into XIN.



The Crystal Oscillator (XOSC) uses an external crystal to produce an accurate reference clock. RP2350 supports 1 MHz to 50 MHz crystals and the RP2350 reference design (see [Hardware design with RP2350, Minimal Design Example](#)) uses a 12 MHz crystal. The reference clock is distributed to the PLLs, which can be used to multiply the XOSC frequency to provide accurate high speed clocks. For example, they can generate a 48 MHz clock which meets the frequency accuracy requirement of the USB interface and a 150 MHz maximum speed system clock. The XOSC clock is also a clock source for the clock generators and can be used directly if required.

If the user already has an accurate clock source, it is possible to drive an external clock directly into XIN (aka XI), and disable the oscillator circuit. In this mode XIN can be driven at up to 50 MHz.

To use XOSC clock externally, output it to a GPIO pin using one of the `clk_gpclk0-clk_gpclk3` generators. You cannot take XOSC output directly from the XIN (XI) or XOUT (XO) pins.

NOTE

A minimum crystal frequency of 5 MHz is needed for the PLL. See [Section 8.6, "PLL"](#).

8.2.1.1. Recommended crystals

For the best performance and stability across typical operating temperature ranges, it is recommended to use the Abracon ABM8-272-T3. You can source the [ABM8-272-T3](#) directly from Abracon or from an authorised reseller. The Abracon ABM8-272-T3 has the following specifications:

Table 597. Key Crystal Specifications.

| Parameters | Minimum | Typical | Maximum | Units | Notes |
|-----------------------------------|----------------|----------------|----------------|-------|--------------------|
| Center Frequency | 12.000 | 12.000 | 12.000 | MHz | |
| Operation Mode | Fundamental-AT | Fundamental-AT | Fundamental-AT | | |
| Operating Temperature | -40 | | +85 | °C | |
| Storage Temperature | -55 | | +125 | °C | |
| Frequency Tolerance (25 °C) | -30 | | +30 | ppm | |
| Frequency Stability (25 °C) | -30 | | +30 | ppm | |
| Equivalent Series Resistance (R1) | | | 50 | Ω | |
| Shunt Capacitance (C0) | | | 3.0 | pF | |
| Load Capacitance (CL) | 10 | 10 | 10 | pF | |
| Drive Level | | 10 | 200 | μW | |
| Aging | -5 | | +5 | ppm | @25±3 °C, 1st year |
| Insulation Resistance | 500 | | | MΩ | @100 Vdc±15 V |

Even if you use a crystal with similar specifications, you will need to test the circuit over a range of temperatures to

ensure stability.

The crystal oscillator is powered from the VDDIO voltage. As a result, the Abracon crystal and that particular damping resistor are tuned for 3.3V operation. If you use a different IO voltage, you will need to re-tune.

Any changes to crystal parameters risk instability across any components connected to the crystal circuit.

If you can't source the recommended crystal directly from Abracon or a reseller, contact applications@raspberrypi.com.

Raspberry Pi Pico 2 has been specifically tuned for the specifications of the Abracon ABM8-272-T3 crystal. For an example of how to use a crystal with RP2350, see the Raspberry Pi Pico 2 board schematic in Appendix B of [Raspberry Pi Pico 2 Datasheet](#) and the [Raspberry Pi Pico 2 design files](#).

8.2.2. Changes from RP2040

- Maximum crystal frequency increased from 15 MHz to 50 MHz, when appropriate range is selected in `CTRL.FREQ_RANGE`

i NOTE

The above change applies when using the XOSC as a crystal oscillator, with a crystal connected between the `XIN` and `XOUT` pins. When using the XOSC `XIN` pin as a CMOS clock input from an external oscillator, the maximum is always 50 MHz. You do not have to configure `CTRL.FREQ_RANGE` for the CMOS input case. The CMOS input behaviour is the same as RP2040.

i NOTE

The maximum `clk_ref` frequency is 25 MHz. If you use a >25 MHz crystal as the source of `clk_ref`, you must divide the XOSC output using the `clk_ref` divider.

8.2.3. Usage

The XOSC is disabled on chip startup and RP2350 boots using the Ring Oscillator (ROSC). To start the XOSC, the programmer must set the `CTRL_ENABLE` register. The XOSC is not immediately usable because it takes time for the oscillations to build to sufficient amplitude. This time will be dependent on the chosen crystal but will be of the order of a few milliseconds. The XOSC incorporates a timer controlled by the `STARTUP_DELAY` register to automatically manage this, which sets a flag (`STATUS_STABLE`) when the XOSC clock is usable.

8.2.4. Startup delay

The `STARTUP_DELAY` register specifies how many clock cycles must be seen from the crystal before it can be used. This is specified in multiples of 256. The SDK `xosc_init` function sets this value. The 1 ms default is sufficient for the RP2350 reference design (see [Hardware design with RP2350, Minimal Design Example](#)) which runs the XOSC at 12 MHz. When the timer expires, the `STATUS_STABLE` flag will be set to indicate the XOSC output can be used.

Before starting the XOSC the programmer must ensure the `STARTUP_DELAY` register is correctly configured. The required value can be calculated by:

$$(f_{Crystal} \times t_{Stable}) \div 256$$

So with a 12 MHz crystal and a 1 ms wait time, the calculation is:

$$(12 \times 10^6 \cdot 1 \times 10^{-3}) \div 256 \approx 47$$

i NOTE

The value is rounded up to the nearest integer, so the wait time will be just over 1 ms.

8.2.5. XOSC counter

The `COUNT` register provides a method of managing short software delays. To use this method:

1. Write a value to the `COUNT` register. The register automatically begins to count down to zero at the XOSC frequency.
2. Poll the register until it reaches zero.

This is preferable to using NOPs in software loops because it is independent of the core clock frequency, the compiler, and the execution time of the compiled code.

8.2.6. DORMANT mode

In DORMANT mode (see [Section 6.5.3, “DORMANT state”](#)), all of the on-chip clocks can be paused to save power. This is particularly useful in battery-powered applications. RP2350 wakes from DORMANT mode by interrupt: either from an external event, such as an edge on a GPIO pin, or from the AON Timer. This must be configured before entering DORMANT mode. To use the AON Timer to trigger a wake from DORMANT mode, it must be clocked from the LPOSC or from an external source.

To enter DORMANT mode:

1. Switch all internal clocks to be driven from XOSC or ROSC and stop the PLLs.
2. Choose an oscillator (XOSC or ROSC). Write a specific 32-bit value to the `DORMANT` register of the chosen oscillator to stop it.

When exiting DORMANT mode, the chosen oscillator will restart. If you chose XOSC, the frequency will be more precise, but the restart will take more time due to startup delay (>1 ms on the RP2350 reference design (see [Hardware design with RP2350, Minimal Design Example](#))). If you chose ROSC, the frequency will be less precise, but the start-up time is very short (approximately 1µs). See [Section 6.5.3.1, “Waking from the DORMANT state”](#) for the events which cause the system to exit DORMANT mode.

i NOTE

You must stop the PLLs before entering DORMANT mode.

SDK: https://github.com/raspberrypi/pico-sdk/blob/master/src/rp2_common/hardware_xosc/xosc.c Lines 56 - 63

```
56 void xosc_dormant(void) {
57     // WARNING: This stops the xosc until woken up by an irq
58     xosc_hw->dormant = XOSC_DORMANT_VALUE_DORMANT;
59     // Wait for it to become stable once woken up
60     while(!(xosc_hw->status & XOSC_STATUS_STABLE_BITS)) {
61         tight_loop_contents();
62     }
63 }
```

WARNING

If you do not configure IRQ before entering DORMANT mode, neither oscillator will restart.

See [Section 6.5.6.2, “DORMANT”](#) for a complete example of DORMANT mode using the XOSC.

8.2.7. Programmer’s model

SDK: https://github.com/raspberrypi/pico-sdk/blob/master/src/rp2350/hardware_structs/include/hardware/structs/xosc.h Lines 27 - 57

```

27 typedef struct {
28     _REG_(XOSC_CTRL_OFFSET) // XOSC_CTRL
29     // Crystal Oscillator Control
30     // 0x00fff000 [23:12] ENABLE      (-) On power-up this field is initialised to DISABLE and
    the...
31     // 0x00000fff [11:0]  FREQ_RANGE  (-) The 12-bit code is intended to give some
    protection...
32     io_rw_32 ctrl;
33
34     _REG_(XOSC_STATUS_OFFSET) // XOSC_STATUS
35     // Crystal Oscillator Status
36     // 0x8000000 [31]   STABLE        (0) Oscillator is running and stable
37     // 0x0100000 [24]   BADWRITE     (0) An invalid value has been written to CTRL_ENABLE
    or...
38     // 0x0001000 [12]   ENABLED      (-) Oscillator is enabled but not necessarily running
    and...
39     // 0x0000003 [1:0]  FREQ_RANGE  (-) The current frequency range setting
40     io_rw_32 status;
41
42     _REG_(XOSC_DORMANT_OFFSET) // XOSC_DORMANT
43     // Crystal Oscillator pause control
44     // 0xffffffff [31:0] DORMANT     (-) This is used to save power by pausing the XOSC +
45     io_rw_32 dormant;
46
47     _REG_(XOSC_STARTUP_OFFSET) // XOSC_STARTUP
48     // Controls the startup delay
49     // 0x00100000 [20]   X4           (-) Multiplies the startup_delay by 4, just in case
50     // 0x00003fff [13:0] DELAY       (-) in multiples of 256*xtal_period
51     io_rw_32 startup;
52
53     _REG_(XOSC_COUNT_OFFSET) // XOSC_COUNT
54     // A down counter running at the XOSC frequency which counts to zero and stops.
55     // 0x0000ffff [15:0] COUNT      (0x0000)
56     io_rw_32 count;
57 } xosc_hw_t;

```

SDK: https://github.com/raspberrypi/pico-sdk/blob/master/src/rp2_common/hardware_xosc/xosc.c Lines 29 - 43

```

29 void xosc_init(void) {
30     // Assumes 1-15 MHz input, checked above.
31     xosc_hw->ctrl = XOSC_CTRL_FREQ_RANGE_VALUE_1_15MHZ;
32
33     // Set xosc startup delay
34     xosc_hw->startup = STARTUP_DELAY;
35
36     // Set the enable bit now that we have set freq range and startup delay
37     hw_set_bits(&xosc_hw->ctrl, XOSC_CTRL_ENABLE_VALUE_ENABLE << XOSC_CTRL_ENABLE_LSB);
38

```

```

39 // Wait for XOSC to be stable
40 while(!(xosc_hw->status & XOSC_STATUS_STABLE_BITS)) {
41     tight_loop_contents();
42 }
43 }
    
```

8.2.8. List of registers

The XOSC registers start at a base address of `0x40048000` (defined as `XOSC_BASE` in SDK).

Table 598. List of XOSC registers

| Offset | Name | Info |
|--------|-------------------------|--|
| 0x00 | CTRL | Crystal Oscillator Control |
| 0x04 | STATUS | Crystal Oscillator Status |
| 0x08 | DORMANT | Crystal Oscillator pause control |
| 0x0c | STARTUP | Controls the startup delay |
| 0x10 | COUNT | A down counter running at the XOSC frequency which counts to zero and stops. |

XOSC: CTRL Register

Offset: 0x00

Description

Crystal Oscillator Control

Table 599. CTRL Register

| Bits | Description | Type | Reset |
|-------|--|------|-------|
| 31:24 | Reserved. | - | - |
| 23:12 | ENABLE: On power-up this field is initialised to DISABLE and the chip runs from the ROSC. If the chip has subsequently been programmed to run from the XOSC then setting this field to DISABLE may lock-up the chip. If this is a concern then run the <code>clk_ref</code> from the ROSC and enable the <code>clk_sys RESUS</code> feature. The 12-bit code is intended to give some protection against accidental writes. An invalid setting will retain the previous value. The actual value being used can be read from <code>STATUS_ENABLED</code> | RW | - |
| | Enumerated values: | | |
| | 0xd1e → DISABLE | | |
| | 0xfab → ENABLE | | |
| 11:0 | FREQ_RANGE: The 12-bit code is intended to give some protection against accidental writes. An invalid setting will retain the previous value. The actual value being used can be read from <code>STATUS_FREQ_RANGE</code> | RW | - |
| | Enumerated values: | | |
| | 0xaa0 → 1_15MHZ | | |
| | 0xaa1 → 10_30MHZ | | |
| | 0xaa2 → 25_60MHZ | | |
| | 0xaa3 → 40_100MHZ | | |

XOSC: STATUS Register

Offset: 0x04

Description

Crystal Oscillator Status

Table 600. STATUS Register

| Bits | Description | Type | Reset |
|-------|---|------|-------|
| 31 | STABLE: Oscillator is running and stable | RO | 0x0 |
| 30:25 | Reserved. | - | - |
| 24 | BADWRITE: An invalid value has been written to CTRL_ENABLE or CTRL_FREQ_RANGE or DORMANT | WC | 0x0 |
| 23:13 | Reserved. | - | - |
| 12 | ENABLED: Oscillator is enabled but not necessarily running and stable, resets to 0 | RO | - |
| 11:2 | Reserved. | - | - |
| 1:0 | FREQ_RANGE: The current frequency range setting | RO | - |
| | Enumerated values: | | |
| | 0x0 → 1_15MHZ | | |
| | 0x1 → 10_30MHZ | | |
| | 0x2 → 25_60MHZ | | |
| | 0x3 → 40_100MHZ | | |

XOSC: DORMANT Register

Offset: 0x08

Description

Crystal Oscillator pause control

Table 601. DORMANT Register

| Bits | Description | Type | Reset |
|------|---|------|-------|
| 31:0 | This is used to save power by pausing the XOSC On power-up this field is initialised to WAKE An invalid write will also select WAKE WARNING: stop the PLLs before selecting dormant mode WARNING: setup the irq before selecting dormant mode | RW | - |
| | Enumerated values: | | |
| | 0x636f6d61 → DORMANT | | |
| | 0x77616b65 → WAKE | | |

XOSC: STARTUP Register

Offset: 0x0c

Description

Controls the startup delay

Table 602. STARTUP Register

| Bits | Description | Type | Reset |
|-------|-------------|------|-------|
| 31:21 | Reserved. | - | - |

| Bits | Description | Type | Reset |
|-------|--|------|--------|
| 20 | X4 : Multiplies the startup_delay by 4, just in case. The reset value is controlled by a mask-programmable tiecell and is provided in case we are booting from XOSC and the default startup delay is insufficient | RW | 0x0 |
| 19:14 | Reserved. | - | - |
| 13:0 | DELAY : in multiples of 256*xtal_period. The reset value of 0xc4 corresponds to approx 50 000 cycles. | RW | 0x00c4 |

XOSC: COUNT Register

Offset: 0x10

Table 603. COUNT Register

| Bits | Description | Type | Reset |
|-------|---|------|--------|
| 31:16 | Reserved. | - | - |
| 15:0 | A down counter running at the xosc frequency which counts to zero and stops. Can be used for short software pauses when setting up time sensitive hardware. To start the counter, write a non-zero value. Reads will return 1 while the count is running and 0 when it has finished. Minimum count value is 4. Count values <4 will be treated as count value =4. Note that synchronisation to the register clock domain costs 2 register clock cycles and the counter cannot compensate for that. | RW | 0x0000 |

8.3. Ring oscillator (ROSC)

8.3.1. Overview

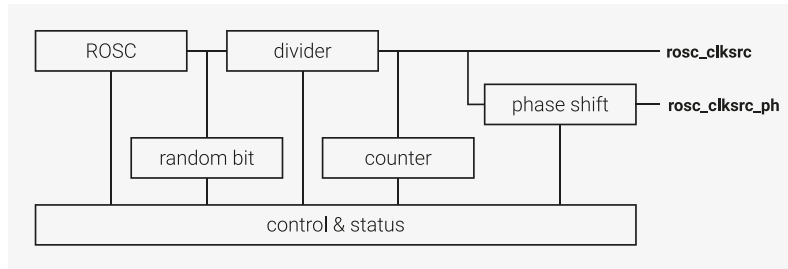
The Ring Oscillator (ROSC) is an on-chip oscillator built from a ring of inverters. It requires no external components and is started automatically during RP2350 power up. It provides the clock to the cores during boot. The frequency of the ROSC is programmable and it can directly provide a high speed clock to the cores, but the frequency varies with Process, Voltage, and Temperature (PVT) so it cannot provide clocks for components that require an accurate frequency such as the AON Timer, USB, and ADC. The frequency can be randomised to provide some protection against attempts to recover the system clock from power traces. Methods for mitigating unwanted frequency variation are discussed in [Section 8.1, "Overview"](#), but these are only relevant to very low power designs. For most applications requiring accurate clock frequencies, switch to the XOSC and PLLs. During boot, the ROSC runs at a nominal 11MHz and is guaranteed to be in the range 4.6MHz to 19.6MHz without randomisation and 4.6MHz to 24.0MHz with randomisation.

i NOTE

RP2350 A3 and later enable randomisation by default, and the bootrom quadruples the ROSC base frequency by reducing `DIV` to 2. As a result, `clk_sys` is guaranteed to range between 18.4 MHz and 96.0 MHz. `clk_ref` is maintained at a nominal 11 MHz by increasing its divisor. This change increases the sensitivity of the glitch detectors, which have an inverse relationship with clock period, consequently better protecting the ROM's early boot paths.

After the chip has booted, the programmer can choose to continue running from the ROSC and increase its frequency or start the Crystal Oscillator (XOSC) and PLLs. You can disable the ROSC when you've switched the system clocks to the XOSC. Each oscillator has advantages; switch between them to achieve the best solution for your application.

Figure 39. ROSC overview.



8.3.2. Changes from RP2040

Frequency randomisation feature added.

8.3.3. Changes between RP2350 revisions

RP2350 A3 changes the reset values of `FREQA.DS0_RANDOM` and `FREQA.DS1_RANDOM` from 0 to 1. See [Hardware changes](#) for information about related changes made to the clock configuration at reset. See [Bootrom changes](#) for related changes made in the A3 boot ROM.

8.3.4. ROSC/XOSC trade-offs

The ROSC has several advantages:

- Flexibility due to programmable frequency
- Low power requirements
- No need for internal or external components
- Optional frequency randomisation improves security

Because the ROSC has programmable frequency, it can provide a fast core clock without starting the PLLs and can generate slower peripheral clocks by dividing by clock generators ([Section 8.1, “Overview”](#)). The ROSC starts immediately and responds immediately to frequency controls. It retains the frequency setting when entering and exiting the DORMANT state (see [Section 6.5.3, “DORMANT state”](#)). However, the user must be aware that the frequency may have drifted when exiting the DORMANT state due to changes in the supply voltage and the chip temperature.

The disadvantage of the ROSC is its frequency variation with PVT (Process, Voltage, and Temperature), which makes it unsuitable for generating precise clocks or for applications where software execution timing is important. However, the PVT frequency variation can be exploited to provide automatic frequency scaling to maximise performance. This is discussed in [Section 8.1, “Overview”](#).

The only advantage of the XOSC is its accurate frequency, but this is an overriding requirement in many applications.

The XOSC has the following disadvantages:

- the requirement for external components (a crystal, etc.)
- higher power consumption
- slow startup time (>1ms)
- fixed, low frequency

PLLs are required to produce higher-frequency clocks. They consume more power and take significant time to start up or change frequency. Exiting DORMANT mode is much slower than for ROSC because the XOSC must restart and the PLLs must be reconfigured.

8.3.5. Modifying the frequency

The ROSC is arranged as 8 stages, each with programmable drive. The ROSC provides two methods of controlling the frequency. The frequency range controls the number of stages in the ROSC loop and the `FREQA` & `FREQB` registers control the drive strength of the stages.

To change the frequency range, write to the `FREQ_RANGE` register, which controls the number of stages in the ROSC loop. The `FREQ_RANGE` register supports the following configurations:

Table 604. ROSC stage ranges

| Name | Number of stages | Range (stages) |
|---------|------------------|----------------|
| LOW | 8 | 0-7 |
| MEDIUM | 6 | 2-7 |
| HIGH | 4 | 4-7 |
| TOOHIGH | 2 | 6-7 |

Change `FREQ_RANGE` one step at a time until you reach the desired range. When increasing the frequency range, ROSC output will not glitch, so the output clock can continue to be used. When decreasing the frequency range, ROSC output *will* glitch, so you must select an alternate clock source for the modules clocked by ROSC or hold them in reset during the transition.

The behaviour has not been fully characterised, but the `MEDIUM` range will be approximately 1.33 times the `LOW` range, the `HIGH` range will be 2 times the `LOW` range and the `TOOHIGH` range will be 4 times the `LOW` range. The `TOOHIGH` range is aptly named. It should not be used because the internal logic of the ROSC will not run at that frequency.

The `FREQA` and `FREQB` registers control the drive strength of the stages in the ROSC loop. As the drive strength increases, the delay through the stage decreases and the oscillation frequency increases. Each stage has 3 drive strength control bits. Each bit turns on an additional drive, therefore each stage has 4 drive strength settings equal to the number of bits set, with 0 being the default, 1 being double drive, 2 being triple drive and 3 being quadruple drive. Extra drives do not have a linear effect on frequency: the second has less impact than the first, the third has less impact than the second, and so on. To ensure smooth transitions, change one drive strength bit at a time. When `FREQ_RANGE` shortens the ROSC loop, the bypassed stages still propagate the signal and therefore their drive strengths must be set to at least the same level as the lowest drive strength in the stages that are in the loop. This will not affect the oscillation frequency.

8.3.6. Randomising the frequency

Randomisation is enabled by setting the drive strength controls for the first two stages of the ROSC loop to `DS0_RANDOM` and `DS1_RANDOM`. An LFSR then provides the drive strength controls for those two stages which are always included in the loop regardless of the `FREQ_RANGE` setting. It is recommended to randomise both stages. When the low `FREQ_RANGE` is selected the randomiser will increase the frequency by up to 22% of the default. The increase will be approximately half of that if only one stage is randomised. The LFSR can be seeded by writing to the `RANDOM` register. This can be done at any time but will restart the randomiser.

8.3.7. ROSC divider

The ROSC frequency is too fast to be used directly, so it is divided in an integer divider controlled by the `DIV` register. You can change `DIV` while the ROSC is running, and the output clock will change frequency without glitching. The default divisor is 8, which ensures the output clock is in the specified range on chip startup.

The divider has two outputs, `rosc_clksrc` and `rosc_clksrc_ph`. `rosc_clksrc_ph` is a phase shifted version of `rosc_clksrc`. This is primarily intended for use during product development; the outputs are identical if the `PHASE` register is left in its default state.

8.3.8. Random number generator

When the system clocks are running from the XOSC, you can use the ROSC to generate random numbers. Enable the ROSC and read the `RANDBIT` register to get a 1-bit random number; to get an `n`-bit value, read it `n` times. This does not meet the requirements of randomness for security systems because it can be compromised, but it may be useful in less critical applications. If the cores are running from the ROSC, the value will not be random because the timing of the register read will be correlated to the phase of the ROSC.

8.3.9. ROSC counter

The `COUNT` register provides a method of managing short software delays. To use this method:

1. Write a value to the `COUNT` register. The register automatically begins to count down to zero at the ROSC frequency.
2. Poll the register until it reaches zero.

This is preferable to using NOPs in software loops because it is independent of the core clock frequency, the compiler, and the execution time of the compiled code.

8.3.10. DORMANT mode

In DORMANT mode (see [Section 6.5.3, “DORMANT state”](#)), all of the on-chip clocks can be paused to save power. This is particularly useful in battery-powered applications. RP2350 wakes from DORMANT mode by interrupt: either from an external event, such as an edge on a GPIO pin, or from the AON Timer. This must be configured before entering DORMANT mode. To use the AON Timer to trigger a wake from DORMANT mode, it must be clocked from the LPOSC or from an external source.

To enter DORMANT mode:

1. Switch all internal clocks to be driven from XOSC or ROSC and stop the PLLs.
2. Choose an oscillator (XOSC or ROSC). Write a specific 32-bit value to the `DORMANT` register of the chosen oscillator to stop it.

When exiting DORMANT mode, the chosen oscillator will restart. If you chose XOSC, the frequency will be more precise, but the restart will take more time due to startup delay (>1ms on the RP2350 reference design (see [Hardware design with RP2350, Minimal Design Example](#))). If you chose ROSC, the frequency will be less precise, but the start-up time is very short (approximately 1µs). See [Section 6.5.3.1, “Waking from the DORMANT state”](#) for the events which cause the system to exit DORMANT mode.

i NOTE

You must stop the PLLs before entering DORMANT mode.

Pico Extras: https://github.com/raspberrypi/pico-extras/blob/master/src/rp2_common/hardware_rosc/rosc.c Lines 56 - 61

```
56 void rosc_set_dormant(void) {
57     // WARNING: This stops the rosc until woken up by an irq
58     rosc_write(&rosc_hw->dormant, ROSC_DORMANT_VALUE_DORMANT);
59     // Wait for it to become stable once woken up
60     while(!(rosc_hw->status & ROSC_STATUS_STABLE_BITS));
61 }
```

WARNING

If you do not configure IRQ before entering DORMANT mode, neither oscillator will restart.

See Section 6.5.6.2, “DORMANT” for some examples of dormant mode.

8.3.11. List of registers

The ROSC registers start at a base address of 0x400e8000 (defined as ROSC_BASE in SDK).

Table 605. List of ROSC registers

| Offset | Name | Info |
|--------|---------|--|
| 0x00 | CTRL | Ring Oscillator control |
| 0x04 | FREQA | Ring Oscillator frequency control A |
| 0x08 | FREQB | Ring Oscillator frequency control B |
| 0x0c | RANDOM | Loads a value to the LFSR randomiser |
| 0x10 | DORMANT | Ring Oscillator pause control |
| 0x14 | DIV | Controls the output divider |
| 0x18 | PHASE | Controls the phase shifted output |
| 0x1c | STATUS | Ring Oscillator Status |
| 0x20 | RANDBIT | Returns a 1 bit random value |
| 0x24 | COUNT | A down counter running at the ROSC frequency which counts to zero and stops. |

ROSC: CTRL Register

Offset: 0x00

Description

Ring Oscillator control

Table 606. CTRL Register

| Bits | Description | Type | Reset |
|-------|--|------|-------|
| 31:24 | Reserved. | - | - |
| 23:12 | ENABLE: On power-up this field is initialised to ENABLE The system clock must be switched to another source before setting this field to DISABLE otherwise the chip will lock up The 12-bit code is intended to give some protection against accidental writes. An invalid setting will enable the oscillator. | RW | - |
| | Enumerated values: | | |
| | 0xd1e → DISABLE | | |
| | 0xfab → ENABLE | | |

| Bits | Description | Type | Reset |
|------|--|------|-------|
| 11:0 | FREQ_RANGE : Controls the number of delay stages in the ROOSC ring LOW uses stages 0 to 7 MEDIUM uses stages 0 to 5 HIGH uses stages 0 to 3 TOOHIGH uses stages 0 to 1 and should not be used because its frequency exceeds design specifications The clock output will not glitch when changing the range up one step at a time The clock output will glitch when changing the range down Note: the values here are gray coded which is why HIGH comes before TOOHIGH | RW | 0xaa0 |
| | Enumerated values: | | |
| | 0xfa4 → LOW | | |
| | 0xfa5 → MEDIUM | | |
| | 0xfa7 → HIGH | | |
| | 0xfa6 → TOOHIGH | | |

ROSC: FREQA Register

Offset: 0x04

Description

The FREQA & FREQB registers control the frequency by controlling the drive strength of each stage
 The drive strength has 4 levels determined by the number of bits set
 Increasing the number of bits set increases the drive strength and increases the oscillation frequency
 0 bits set is the default drive strength
 1 bit set doubles the drive strength
 2 bits set triples drive strength
 3 bits set quadruples drive strength
 For frequency randomisation set both DS0_RANDOM=1 & DS1_RANDOM=1

Table 607. FREQA Register

| Bits | Description | Type | Reset |
|-------|--|------|--------|
| 31:16 | PASSWD : Set to 0x9696 to apply the settings Any other value in this field will set all drive strengths to 0 | RW | 0x0000 |
| | Enumerated values: | | |
| | 0x9696 → PASS | | |
| 15 | Reserved. | - | - |
| 14:12 | DS3 : Stage 3 drive strength | RW | 0x0 |
| 11 | Reserved. | - | - |
| 10:8 | DS2 : Stage 2 drive strength | RW | 0x0 |
| 7 | DS1_RANDOM : Randomises the stage 1 drive strength | RW | 0x1 |
| 6:4 | DS1 : Stage 1 drive strength | RW | 0x0 |
| 3 | DS0_RANDOM : Randomises the stage 0 drive strength | RW | 0x1 |
| 2:0 | DS0 : Stage 0 drive strength | RW | 0x0 |

ROSC: FREQB Register

Offset: 0x08

Description

For a detailed description see freqa register

Table 608. *FREQB Register*

| Bits | Description | Type | Reset |
|-------|--|------|--------|
| 31:16 | PASSWD : Set to 0x9696 to apply the settings Any other value in this field will set all drive strengths to 0 | RW | 0x0000 |
| | Enumerated values: | | |
| | 0x9696 → PASS | | |
| 15 | Reserved. | - | - |
| 14:12 | DS7 : Stage 7 drive strength | RW | 0x0 |
| 11 | Reserved. | - | - |
| 10:8 | DS6 : Stage 6 drive strength | RW | 0x0 |
| 7 | Reserved. | - | - |
| 6:4 | DS5 : Stage 5 drive strength | RW | 0x0 |
| 3 | Reserved. | - | - |
| 2:0 | DS4 : Stage 4 drive strength | RW | 0x0 |

ROSC: RANDOM Register

Offset: 0x0c

Description

Loads a value to the LFSR randomiser

Table 609. *RANDOM Register*

| Bits | Description | Type | Reset |
|------|-------------|------|------------|
| 31:0 | SEED | RW | 0x3f04b16d |

ROSC: DORMANT Register

Offset: 0x10

Description

Ring Oscillator pause control

Table 610. *DORMANT Register*

| Bits | Description | Type | Reset |
|------|---|------|-------|
| 31:0 | This is used to save power by pausing the ROSC On power-up this field is initialised to WAKE An invalid write will also select WAKE Warning: setup the irq before selecting dormant mode | RW | - |
| | Enumerated values: | | |
| | 0x636f6d61 → DORMANT | | |
| | 0x77616b65 → WAKE | | |

ROSC: DIV Register

Offset: 0x14

Description

Controls the output divider

Table 611. DIV Register

| Bits | Description | Type | Reset |
|-------|---|------|-------|
| 31:16 | Reserved. | - | - |
| 15:0 | set to 0xaa00 + div where div = 0 divides by 128 div = 1-127 divides by div any other value sets div=128 this register resets to div=32 | RW | - |
| | Enumerated values: | | |
| | 0xaa00 → PASS | | |

ROSC: PHASE Register

Offset: 0x18

Description

Controls the phase shifted output

Table 612. PHASE Register

| Bits | Description | Type | Reset |
|-------|--|------|-------|
| 31:12 | Reserved. | - | - |
| 11:4 | PASSWD : set to 0xaa any other value enables the output with shift=0 | RW | 0x00 |
| 3 | ENABLE : enable the phase-shifted output this can be changed on-the-fly | RW | 0x1 |
| 2 | FLIP : invert the phase-shifted output this is ignored when div=1 | RW | 0x0 |
| 1:0 | SHIFT : phase shift the phase-shifted output by SHIFT input clocks this can be changed on-the-fly must be set to 0 before setting div=1 | RW | 0x0 |

ROSC: STATUS Register

Offset: 0x1c

Description

Ring Oscillator Status

Table 613. STATUS Register

| Bits | Description | Type | Reset |
|-------|--|------|-------|
| 31 | STABLE : Oscillator is running and stable | RO | 0x0 |
| 30:25 | Reserved. | - | - |
| 24 | BADWRITE : An invalid value has been written to CTRL_ENABLE or CTRL_FREQ_RANGE or FREQA or FREQB or DIV or PHASE or DORMANT | WC | 0x0 |
| 23:17 | Reserved. | - | - |
| 16 | DIV_RUNNING : post-divider is running this resets to 0 but transitions to 1 during chip startup | RO | - |
| 15:13 | Reserved. | - | - |
| 12 | ENABLED : Oscillator is enabled but not necessarily running and stable this resets to 0 but transitions to 1 during chip startup | RO | - |
| 11:0 | Reserved. | - | - |

ROSC: RANDBIT Register

Offset: 0x20

Table 614.
RANDBIT Register

| Bits | Description | Type | Reset |
|------|---|------|-------|
| 31:1 | Reserved. | - | - |
| 0 | This just reads the state of the oscillator output so randomness is compromised if the ring oscillator is stopped or run at a harmonic of the bus frequency | RO | 0x1 |

ROSC: COUNT Register

Offset: 0x24

Table 615. COUNT Register

| Bits | Description | Type | Reset |
|-------|--|------|--------|
| 31:16 | Reserved. | - | - |
| 15:0 | A down counter running at the ROSC frequency which counts to zero and stops. To start the counter write a non-zero value. Can be used for short software pauses when setting up time sensitive hardware. | RW | 0x0000 |

8.4. Low Power oscillator (LPOSC)

The Low Power Oscillator (LPOSC) provides a clock signal to the always-on logic when the main crystal oscillator is powered down in a low power (P1.x) state. It operates at a nominal 32.768kHz and is an RC oscillator, requiring no external components. The oscillator’s output clock is used to sequence initial chip start up and transition to and from low-power states. It can also be used by the AON Timer, see [Section 12.10, “Always-on timer”](#).

The oscillator starts up as soon as the core power supply is available and power-on reset has been released. If brownout detection is enabled, the oscillator will be disabled when a core supply brownout is detected, but will restart as soon as the core supply has recovered and brownout reset has been released. The oscillator’s frequency takes around 1ms to stabilise, and the chip will be held in reset during this period.

8.4.1. Frequency accuracy and calibration

The low power oscillator has an initial frequency accuracy of $\pm 20\%$. However, it can be trimmed to $\pm 1.5\%$ using the TRIM field in the LPOSC register. 63 trim steps are available, each between 1% and 3% of the oscillator’s initial frequency. The frequency can be trimmed down by 32 steps or up by 31 steps. See [Table 616, “low power oscillator output frequency and trimming”](#) and [Section 8.4.3, “List of registers”](#) for details.

Table 616. low power oscillator output frequency and trimming

| Parameter | Description | Min | Typ | Max | Units |
|------------------------|--------------------------|----------|--------|----------|-------------------------------|
| F _{0,initial} | initial output frequency | 26.2144 | 32.768 | 39.3216 | kHz |
| trim _{STEP} | frequency trim step | - | 1 | 3 | % of initial output frequency |
| F _{0,trimmed} | trimmed output frequency | 32.27648 | 32.768 | 33.25952 | kHz |

Frequency drift with temperature: $\pm 14\%$.

Frequency drift with power supply voltage: $\pm 20\%$.

8.4.2. Using an external low-power clock

Instead of using the low-power RC oscillator, an external 32.768 kHz low power clock signal can be provided on one of GPIO 12, 14, 20, or 22. Alternatively, those GPIOs can be used to provide a 1 kHz or 1 Hz tick. See [Section 12.10.5.2, “Using an external clock in place of LPOSC”](#) and [Section 12.10.7, “Using an external clock or tick from GPIO”](#) for more details.

8.4.3. List of registers

The low power oscillator shares register address space with other power management subsystems in the always-on domain. The address space is referred to as POWMAN elsewhere in this document. A complete list of POWMAN registers is provided in [Section 6.4, “Power management \(POWMAN\) registers”](#), but information on registers associated with the low power oscillator is repeated here.

The POWMAN registers start at a base address of `0x40100000` (defined as `POWMAN_BASE` in SDK).

- [LPOSC](#)
- [EXT_TIME_REF](#)
- [LPOSC_FREQ_KHZ_INT](#)
- [LPOSC_FREQ_KHZ_FRAC](#)

8.5. Tick generators

8.5.1. Overview

The tick generators provide time references for several blocks:

- System timers: `TIMER0` and `TIMER1` ([Section 12.8, “System timers”](#))
- RISC-V platform timer ([Section 3.1.8, “RISC-V platform timer”](#))
- Arm Cortex-M33 SysTick timers for core 0 and core 1
- The watchdog timer ([Section 12.9, “Watchdog”](#))

A **tick** is a periodic signal which provides a timebase for a timer or counter. These signals are similar to clocks, although they do not drive the clock inputs of any registers on the chip. The use of ticks as opposed to clocks makes it simpler to distribute timebase information that is independent of any subsystem clocks. For example, the system timers (`TIMER0` and `TIMER1`) should continue to count once per microsecond even as the system clock varies according to processor demand.

The tick generators use `clk_ref` as their reference clock (see [Section 8.1, “Overview”](#) for an overview of system-level clocks including `clk_ref`). Ideally, `clk_ref` will be configured to use the crystal oscillator ([Section 8.2, “Crystal oscillator \(XOSC\)”](#)) to provide an accurate reference. The generators divide `clk_ref` internally to generate a tick signal for each destination.

The SDK expects a nominal 1 μ s timebase for the system timers and the RISC-V platform timer. Similarly the Cortex-M33 SysTick timers require a 1 μ s timebase to match the hardwired value of 100,000 in the `SYST_CALIB` register, which standard Arm software uses to scale SysTick delays. However, you may need to scale these timebases differently if your software has specific requirements such as a longer maximum delay on the 24-bit SysTick peripherals. The tick generator can scale each destination’s tick timebase independently of the others.

For a 12 MHz reference clock, set the cycle count to 12 to generate a 1 μ s tick. A 1 MHz clock has a period of 1 μ s, so

the hardware needs to count for 12 times as many clock cycles to get a 1 μ s tick from a reference running at 12 \times 1 MHz.

Before changing the cycle count, always stop the tick generator with the `TIMER0_CTRL.ENABLE` bit. You can re-enable once the tick generator is configured.

8.5.2. List of registers

The tick generator registers start at a base address of `0x40108000` (defined as `TICKS_BASE` in SDK).

Table 617. List of TICKS registers

| Offset | Name | Info |
|--------|---------------------------------|-----------------------------|
| 0x00 | PROC0_CTRL | Controls the tick generator |
| 0x04 | PROC0_CYCLES | |
| 0x08 | PROC0_COUNT | |
| 0x0c | PROC1_CTRL | Controls the tick generator |
| 0x10 | PROC1_CYCLES | |
| 0x14 | PROC1_COUNT | |
| 0x18 | TIMER0_CTRL | Controls the tick generator |
| 0x1c | TIMER0_CYCLES | |
| 0x20 | TIMER0_COUNT | |
| 0x24 | TIMER1_CTRL | Controls the tick generator |
| 0x28 | TIMER1_CYCLES | |
| 0x2c | TIMER1_COUNT | |
| 0x30 | WATCHDOG_CTRL | Controls the tick generator |
| 0x34 | WATCHDOG_CYCLES | |
| 0x38 | WATCHDOG_COUNT | |
| 0x3c | RISCV_CTRL | Controls the tick generator |
| 0x40 | RISCV_CYCLES | |
| 0x44 | RISCV_COUNT | |

TICKS: PROC0_CTRL Register

Offset: 0x00

Description

Controls the tick generator

Table 618. PROC0_CTRL Register

| Bits | Description | Type | Reset |
|------|--|------|-------|
| 31:2 | Reserved. | - | - |
| 1 | RUNNING: Is the tick generator running? | RO | - |
| 0 | ENABLE: start / stop tick generation | RW | 0x0 |

TICKS: PROC0_CYCLES Register

Offset: 0x04

Table 619.
PROC0_CYCLES
Register

| Bits | Description | Type | Reset |
|------|---|------|-------|
| 31:9 | Reserved. | - | - |
| 8:0 | Total number of clk_tick cycles before the next tick. | RW | 0x000 |

TICKS: PROC0_COUNT Register

Offset: 0x08

Table 620.
PROC0_COUNT
Register

| Bits | Description | Type | Reset |
|------|---|------|-------|
| 31:9 | Reserved. | - | - |
| 8:0 | Count down timer: the remaining number clk_tick cycles before the next tick is generated. | RO | - |

TICKS: PROC1_CTRL Register

Offset: 0x0c

Description

Controls the tick generator

Table 621.
PROC1_CTRL Register

| Bits | Description | Type | Reset |
|------|--|------|-------|
| 31:2 | Reserved. | - | - |
| 1 | RUNNING: Is the tick generator running? | RO | - |
| 0 | ENABLE: start / stop tick generation | RW | 0x0 |

TICKS: PROC1_CYCLES Register

Offset: 0x10

Table 622.
PROC1_CYCLES
Register

| Bits | Description | Type | Reset |
|------|---|------|-------|
| 31:9 | Reserved. | - | - |
| 8:0 | Total number of clk_tick cycles before the next tick. | RW | 0x000 |

TICKS: PROC1_COUNT Register

Offset: 0x14

Table 623.
PROC1_COUNT
Register

| Bits | Description | Type | Reset |
|------|---|------|-------|
| 31:9 | Reserved. | - | - |
| 8:0 | Count down timer: the remaining number clk_tick cycles before the next tick is generated. | RO | - |

TICKS: TIMER0_CTRL Register

Offset: 0x18

Description

Controls the tick generator

Table 624.
TIMER0_CTRL Register

| Bits | Description | Type | Reset |
|------|-------------|------|-------|
| 31:2 | Reserved. | - | - |

| Bits | Description | Type | Reset |
|------|--|------|-------|
| 1 | RUNNING: Is the tick generator running? | RO | - |
| 0 | ENABLE: start / stop tick generation | RW | 0x0 |

TICKS: TIMER0_CYCLES Register

Offset: 0x1c

Table 625.
TIMER0_CYCLES
Register

| Bits | Description | Type | Reset |
|------|---|------|-------|
| 31:9 | Reserved. | - | - |
| 8:0 | Total number of clk_tick cycles before the next tick. | RW | 0x000 |

TICKS: TIMER0_COUNT Register

Offset: 0x20

Table 626.
TIMER0_COUNT
Register

| Bits | Description | Type | Reset |
|------|---|------|-------|
| 31:9 | Reserved. | - | - |
| 8:0 | Count down timer: the remaining number clk_tick cycles before the next tick is generated. | RO | - |

TICKS: TIMER1_CTRL Register

Offset: 0x24

Description

Controls the tick generator

Table 627.
TIMER1_CTRL Register

| Bits | Description | Type | Reset |
|------|--|------|-------|
| 31:2 | Reserved. | - | - |
| 1 | RUNNING: Is the tick generator running? | RO | - |
| 0 | ENABLE: start / stop tick generation | RW | 0x0 |

TICKS: TIMER1_CYCLES Register

Offset: 0x28

Table 628.
TIMER1_CYCLES
Register

| Bits | Description | Type | Reset |
|------|---|------|-------|
| 31:9 | Reserved. | - | - |
| 8:0 | Total number of clk_tick cycles before the next tick. | RW | 0x000 |

TICKS: TIMER1_COUNT Register

Offset: 0x2c

Table 629.
TIMER1_COUNT
Register

| Bits | Description | Type | Reset |
|------|---|------|-------|
| 31:9 | Reserved. | - | - |
| 8:0 | Count down timer: the remaining number clk_tick cycles before the next tick is generated. | RO | - |

TICKS: WATCHDOG_CTRL Register

Offset: 0x30

Description

Controls the tick generator

Table 630.
WATCHDOG_CTRL
Register

| Bits | Description | Type | Reset |
|------|--|------|-------|
| 31:2 | Reserved. | - | - |
| 1 | RUNNING: Is the tick generator running? | RO | - |
| 0 | ENABLE: start / stop tick generation | RW | 0x0 |

TICKS: WATCHDOG_CYCLES Register

Offset: 0x34

Table 631.
WATCHDOG_CYCLES
Register

| Bits | Description | Type | Reset |
|------|---|------|-------|
| 31:9 | Reserved. | - | - |
| 8:0 | Total number of clk_tick cycles before the next tick. | RW | 0x000 |

TICKS: WATCHDOG_COUNT Register

Offset: 0x38

Table 632.
WATCHDOG_COUNT
Register

| Bits | Description | Type | Reset |
|------|---|------|-------|
| 31:9 | Reserved. | - | - |
| 8:0 | Count down timer: the remaining number clk_tick cycles before the next tick is generated. | RO | - |

TICKS: RISC_V_CTRL Register

Offset: 0x3c

Description

Controls the tick generator

Table 633.
RISC_V_CTRL Register

| Bits | Description | Type | Reset |
|------|--|------|-------|
| 31:2 | Reserved. | - | - |
| 1 | RUNNING: Is the tick generator running? | RO | - |
| 0 | ENABLE: start / stop tick generation | RW | 0x0 |

TICKS: RISC_V_CYCLES Register

Offset: 0x40

Table 634.
RISCV_CYCLES
Register

| Bits | Description | Type | Reset |
|------|---|------|-------|
| 31:9 | Reserved. | - | - |
| 8:0 | Total number of clk_tick cycles before the next tick. | RW | 0x000 |

TICKS: RISCV_COUNT Register

Offset: 0x44

Table 635.
RISCV_COUNT
Register

| Bits | Description | Type | Reset |
|------|---|------|-------|
| 31:9 | Reserved. | - | - |
| 8:0 | Count down timer: the remaining number clk_tick cycles before the next tick is generated. | RO | - |

8.6. PLL

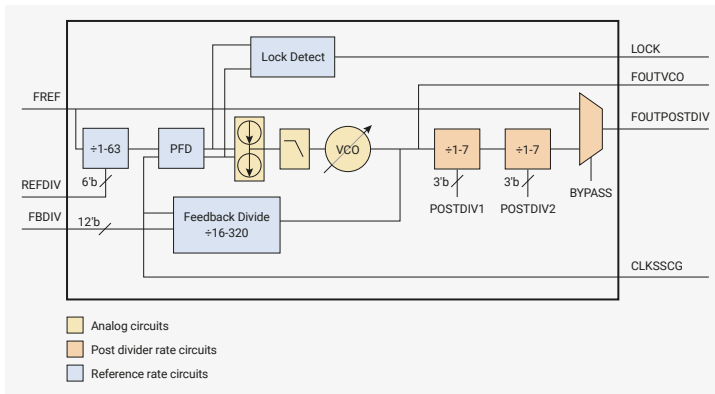
8.6.1. Overview

The PLL takes a reference clock and multiplies it using a Voltage Controlled Oscillator (VCO) with a feedback loop. The VCO runs at high frequencies: between 750 MHz and 1600 MHz. As a result, there are two **post dividers** that can divide the VCO frequency before it is distributed to the clock generators on the chip.

There are two PLLs in RP2350. They are:

- `pll_sys` - used to generate up to a 150 MHz system clock
- `pll_usb` - used to generate a 48 MHz USB reference clock

Figure 40. On both PLLs, the FREF (reference) input is connected to the crystal oscillator's XIN (XI) input. The PLL contains a VCO, which is locked to a constant ratio of the reference clock via the feedback loop (phase-frequency detector and loop filter). This can synthesise very high frequencies, which may be divided down by the post-dividers.



The routing between PLLs and system-level clocks is flexible. For example, you could run USB off a division of the system PLL (e.g. 144 MHz / 3 = 48 MHz), leaving the USB PLL free for other uses such as the HSTX peripheral or a general-purpose clock output on a GPIO.

8.6.2. Changes from RP2040

- RP2350 added an interrupt that fires if the PLL loses lock. See [CS.LOCK_N](#).

8.6.3. Calculating PLL parameters

To configure the PLL, you must know the frequency of the reference clock, which is routed directly from the crystal oscillator. This will often be a 12 MHz crystal, for compatibility with RP2350's USB bootrom. The PLL's final output frequency $F_{OUTPOSTDIV}$ can then be calculated as $(F_{REF} / REF_{DIV}) \times F_{BDIV} / (POSTDIV1 \times POSTDIV2)$. With a desired output frequency in mind, you must select PLL parameters according to the following constraints of the PLL design:

- minimum reference frequency (F_{REF} / REF_{DIV}) is 5 MHz
- oscillator frequency (F_{OUTVCO}) must be in the range 750 MHz-1600 MHz
- feedback divider (F_{BDIV}) must be in the range 16-320
- the post dividers $POSTDIV1$ and $POSTDIV2$ must be in the range 1-7
- maximum input frequency (F_{REF} / REF_{DIV}) is VCO frequency divided by 16, due to minimum feedback divisor

You must also respect the maximum frequencies of the chip's clock generators (attached to $F_{OUTPOSTDIV}$). For the system PLL this is 150 MHz, and for the USB PLL, 48 MHz. If using a crystal oscillator with a frequency of less than 75 MHz, REF_{DIV} should be 1 assuming a VCO of 1200 MHz-1600 MHz. If using a fast crystal with a low VCO frequency, the reference divisor may need to be increased to keep the PLL input within a suitable range.

TIP

When two different values are required for $POSTDIV1$ and $POSTDIV2$, assign the higher value to $POSTDIV1$ for lower power consumption.

In the RP2350 reference design (see [Hardware design with RP2350, Minimal Design Example](#)), which attaches a 12 MHz crystal to the crystal oscillator, the minimum VCO frequency is $12 \text{ MHz} \times 63 = 756 \text{ MHz}$, and the maximum VCO frequency is $12 \text{ MHz} \times 133 = 1596 \text{ MHz}$. As a result, F_{BDIV} must remain in the range 63 to 133 to avoid leaving the supported range of VCO frequencies. Setting F_{BDIV} to 100 would synthesise a 1200 MHz VCO frequency. A $POSTDIV1$ value of 6 and a $POSTDIV2$ value of 2 would divide this by 12 in total, producing a clean 100 MHz at the PLL's final output.

8.6.3.1. Jitter versus power consumption

Often, several sets of PLL configuration parameters achieve the desired output frequency (or a close approximation). You decide whether to prioritise lower power consumption or lower **jitter**: cycle-to-cycle variation in the PLL's output clock period. Jitter decreases as VCO frequency increases, because you can use higher post-divide values. Consider the following scenarios:

- $1500 \text{ MHz VCO} / 6 / 2 = 125 \text{ MHz}$
- $750 \text{ MHz VCO} / 6 / 1 = 125 \text{ MHz}$

The 1500 MHz configuration uses the most power, but produces the least jitter. The 750 MHz configuration uses the least power, but produces the most jitter.

You can slightly adjust the desired output frequency to allow for a much lower VCO frequency by bringing the output to a closer rational multiple of the input. Some frequencies are not be achievable at all with a possible VCO frequency and combination of divisors.

Because RP2350's digital logic compensates for the worst possible jitter on the system clock, this doesn't affect system stability. However, applications often require a highly accurate clock for data transfers that follow the USB specification, which defines a maximum amount of allowable jitter.

8.6.3.2. Calculating parameters with vccalc.py

SDK provides a Python script that searches for the best VCO and post divider options for a desired output frequency:

SDK: https://github.com/raspberrypi/pico-sdk/blob/master/src/rp2-common/hardware_clocks/scripts/vccocalc.py

```

1  #!/usr/bin/env python3
2
3  import argparse
4  import sys
5
6  # Fixed hardware parameters
7  fbdiv_range = range(16, 320 + 1)
8  postdiv_range = range(1, 7 + 1)
9  ref_min = 5
10 refdiv_min = 1
11 refdiv_max = 63
12
13 def validRefdiv(string):
14     if ((int(string) < refdiv_min) or (int(string) > refdiv_max)):
15         raise ValueError("REFDIV must be in the range {} to {}".format(refdiv_min,
16                                 refdiv_max))
17     return int(string)
18
19 parser = argparse.ArgumentParser(description="PLL parameter calculator")
20 parser.add_argument("--input", "-i", default=12, help="Input (reference) frequency. Default
21     12 MHz", type=float)
22 parser.add_argument("--ref-min", default=5, help="Override minimum reference frequency.
23     Default 5 MHz", type=float)
24 parser.add_argument("--vco-max", default=1600, help="Override maximum VCO frequency. Default
25     1600 MHz", type=float)
26 parser.add_argument("--vco-min", default=750, help="Override minimum VCO frequency. Default
27     750 MHz", type=float)
28 parser.add_argument("--cmake", action="store_true", help="Print out a CMake snippet to apply
29     the selected PLL parameters to your program")
30 parser.add_argument("--cmake-only", action="store_true", help="Same as --cmake, but do not
31     print anything other than the CMake output")
32 parser.add_argument("--cmake-executable-name", default="<program>", help="Set the executable
33     name to use in the generated CMake output")
34 parser.add_argument("--lock-refdiv", help="Lock REFDIV to specified number in the range {} to
35     {}".format(refdiv_min, refdiv_max), type=validRefdiv)
36 parser.add_argument("--low-vco", "-l", action="store_true", help="Use a lower VCO frequency
37     when possible. This reduces power consumption, at the cost of increased jitter")
38 parser.add_argument("output", help="Output frequency in MHz.", type=float)
39 args = parser.parse_args()
40
41 refdiv_range = range(refdiv_min, max(refdiv_min, min(refdiv_max, int(args.input / args
42     .ref_min))) + 1)
43
44 if args.lock_refdiv:
45     print("Locking REFDIV to", args.lock_refdiv)
46     refdiv_range = [args.lock_refdiv]
47
48 best = (0, 0, 0, 0, 0, 0)
49 best_margin = args.output
50
51 for refdiv in refdiv_range:
52     for fbdiv in fbdiv_range:
53         vco = args.input / refdiv * fbdiv
54         if vco < args.vco_min or vco > args.vco_max:
55             continue
56         # pd1 is inner loop so that we prefer higher ratios of pd1:pd2
57         for pd2 in postdiv_range:
58             for pd1 in postdiv_range:
59                 out = vco / pd1 / pd2
60                 margin = abs(out - args.output)
61                 vco_is_better = vco < best[5] if args.low_vco else vco > best[5]
62                 if ((vco * 1000) % (pd1 * pd2)):

```

```

51         continue
52         if margin < best_margin or (abs(margin - best_margin) < 1e-9 and
vco_is_better):
53             best = (out, fbdiv, pd1, pd2, refdiv, vco)
54             best_margin = margin
55
56 best_out, best_fbdiv, best_pd1, best_pd2, best_refdiv, best_vco = best
57
58 if best[0] > 0:
59     cmake_output = \
60 f"""target_compile_definitions({args.cmake_executable_name} PRIVATE
61     PLL_SYS_REFDIV={best_refdiv}
62     PLL_SYS_VCO_FREQ_HZ={int((args.input * 1_000_000) / best_refdiv * best_fbdiv)}
63     PLL_SYS_POSTDIV1={best_pd1}
64     PLL_SYS_POSTDIV2={best_pd2}
65     SYS_CLK_HZ={int((args.input * 1_000_000) / (best_refdiv * best_pd1 * best_pd2) *
best_fbdiv)}
66 )
67 """
68     if not args.cmake_only:
69         print("Requested: {} MHz".format(args.output))
70         print("Achieved: {} MHz".format(best_out))
71         print("REFDIV: {}".format(best_refdiv))
72         print("FBDIV: {} (VCO = {} MHz)".format(best_fbdiv, args.input / best_refdiv *
best_fbdiv))
73         print("PD1: {}".format(best_pd1))
74         print("PD2: {}".format(best_pd2))
75         if best_refdiv != 1:
76             print(
77                 "\nThis requires a non-default REFDIV value.\n"
78                 "Add the following to your CMakeLists.txt to apply the REFDIV:\n"
79             )
80         elif args.cmake or args.cmake_only:
81             print("")
82         if args.cmake or args.cmake_only or best_refdiv != 1:
83             print(cmake_output)
84     else:
85         sys.exit("No solution found")

```

Given an input and output frequency, this script finds the best possible set of PLL parameters. When the script finds multiple equally good combinations, it returns the parameters which yield the highest VCO frequency, for the best output stability. Pass the `-l` or `--low-vco` flag to prefer lower frequencies, which reduce power consumption. Pass the `--vco-max` flag to limit the maximum VCO frequency. If the script cannot find an exact match given the provided constraints, it outputs the closest reasonable match instead.

The following example uses the script to request a 48 MHz output with the best output stability:

```

$ ./vcocalc.py 48
Requested: 48.0 MHz
Achieved: 48.0 MHz
REFDIV: 1
FBDIV: 120 (VCO = 1440.0 MHz)
PD1: 6
PD2: 5

```

This can also be output as CMake for configuring an SDK application:

```

$ ./vcocalc.py 48 --cmake
Requested: 48.0 MHz
Achieved: 48.0 MHz
REFDIV: 1
FBDIV: 120 (VCO = 1440.0 MHz)
PD1: 6
PD2: 5

target_compile_definitions(<program> PRIVATE
    PLL_SYS_REFDIV=1
    PLL_SYS_VCO_FREQ_HZ=1440000000
    PLL_SYS_POSTDIV1=6
    PLL_SYS_POSTDIV2=5
)

```

You can also pass `--cmake-only` to get just the CMake output, and `--cmake-executable-name` to replace the `<program>` with the name of the target program you are configuring.

The following example uses the script to request a 48 MHz output with the lowest power consumption:

```

$ ./vcocalc.py -l 48
Requested: 48.0 MHz
Achieved: 48.0 MHz
REFDIV: 1
FBDIV: 64 (VCO = 768.0 MHz)
PD1: 4
PD2: 4

```

The following example uses the script to request a 125 MHz output with the lowest power consumption, with the reference divisor `REFDIV` fixed at a value of 1. Even though we stated a preference for slower VCO frequencies, the resulting frequency remains quite high:

```

$ ./vcocalc.py -l 125 --lock-refdiv=1
Requested: 125.0 MHz
Achieved: 125.0 MHz
REFDIV: 1
FBDIV: 125 (VCO = 1500.0 MHz)
PD1: 6
PD2: 2

```

This happens when the best match for your requested output *requires* a high VCO frequency. The script always returns the best match, preferring lower VCO frequencies only when there are multiple, equally good matches.

You can work around this by restricting the upper VCO frequency. The following example uses the script to request a 125 MHz system clock, restricting the search to VCO frequencies below 800 MHz. There is no exact match, so the script considers near (but not exact) frequency matches. Relaxing the search to allow nearby non-exact matches significantly reduces the minimum VCO frequency compared to the previous example:

```

$ ./vcocalc.py -l 125 --lock-refdiv=1 --vco-max=800
Locking REFDIV to 1
Requested: 125.0 MHz
Achieved: 126.0 MHz
REFDIV: 1
FBDIV: 63 (VCO = 756.0 MHz)
PD1: 6

```

```
PD2:      1
```

A 126 MHz system clock may be a tolerable deviation from the desired 125 MHz, and generating this clock consumes less power at the PLL.

By default the script also searches reference divisors, which may give a closer match to your requested output, or enable higher or lower VCO frequencies (depending on preference). The following example allows the script to search **FBDIV** values:

```
$ ./vcocalc.py -l 125
Requested: 125.0 MHz
Achieved: 125.0 MHz
REFDIV:   2
FBDIV:    125 (VCO = 750.0 MHz)
PD1:      6
PD2:      1

This requires a non-default REFDIV value.
Add the following to your CMakeLists.txt to apply the REFDIV:

target_compile_definitions(<program> PRIVATE
    PLL_SYS_REFDIV=2
    PLL_SYS_VCO_FREQ_HZ=750000000
    PLL_SYS_POSTDIV1=6
    PLL_SYS_POSTDIV2=1
)
```

This finds a solution with exactly the requested output, at exactly the minimum VCO frequency of 750 MHz.

All of the above assume a 12 MHz crystal. RP2350 supports a range of XOSC frequencies documented in [Section 8.2, “Crystal oscillator \(XOSC\)”](#). Suppose we had a 32 MHz crystal, and required a 150 MHz system clock, the maximum supported on RP2350. You can specify the input frequency with the `--input` or `-i` flag, as shown in the following example:

```
$. /vcocalc.py 150 -i 32
Requested: 150.0 MHz
Achieved: 150.0 MHz
REFDIV:   2
FBDIV:    75 (VCO = 1200.0 MHz)
PD1:      4
PD2:      2

This requires a non-default REFDIV value.
Add the following to your CMakeLists.txt to apply the REFDIV:

target_compile_definitions(<program> PRIVATE
    PLL_SYS_REFDIV=2
    PLL_SYS_VCO_FREQ_HZ=1200000000
    PLL_SYS_POSTDIV1=4
    PLL_SYS_POSTDIV2=2
)
```

8.6.4. Configuration

The SDK uses the following PLL settings:

SDK: https://github.com/raspberrypi/pico-sdk/blob/master/src/rp2_common/hardware_clocks/include/hardware/clocks.h Lines 143 - 164

```

143 // There are two PLLs in RP-series microcontrollers:
144 // 1. The 'SYS PLL' generates the system clock, the frequency is defined by `SYS_CLK_KHZ`.
145 // 2. The 'USB PLL' generates the USB clock, the frequency is defined by `USB_CLK_KHZ`.
146 //
147 // The two PLLs use the crystal oscillator output directly as their reference frequency input;
    the PLLs reference
148 // frequency cannot be reduced by the dividers present in the clocks block. The crystal
    frequency is defined by `XOSC_HZ` (or
149 // `XOSC_KHZ` or `XOSC_MHZ`).
150 //
151 // The system's default definitions are correct for the above frequencies with a 12MHz
152 // crystal frequency. If different frequencies are required, these must be defined in
153 // the board configuration file together with the revised PLL settings
154 // Use `vcocalc.py` to check and calculate new PLL settings if you change any of these
    frequencies.
155 //
156 // Default PLL configuration RP2040:
157 //           REF      FBDIV VCO           POSTDIV
158 // PLL SYS: 12 / 1 = 12MHz * 125 = 1500MHz / 6 / 2 = 125MHz
159 // PLL USB: 12 / 1 = 12MHz * 100 = 1200MHz / 5 / 5 = 48MHz
160 //
161 // Default PLL configuration RP2350:
162 //           REF      FBDIV VCO           POSTDIV
163 // PLL SYS: 12 / 1 = 12MHz * 125 = 1500MHz / 5 / 2 = 150MHz
164 // PLL USB: 12 / 1 = 12MHz * 100 = 1200MHz / 5 / 5 = 48MHz

```

The `pll_init` function in the SDK (examined below) asserts that all of these conditions are true before attempting to configure the PLL.

The SDK defines the PLL control registers as a struct. It then maps them into memory for each instance of the PLL.

SDK: https://github.com/raspberrypi/pico-sdk/blob/master/src/rp2350/hardware_structs/include/hardware/structs/pll.h Lines 27 - 74

```

27 typedef struct {
28     _REG_(PLL_CS_OFFSET) // PLL_CS
29     // Control and Status
30     // 0x80000000 [31] LOCK           (0) PLL is locked
31     // 0x40000000 [30] LOCK_N        (0) PLL is not locked +
32     // 0x00000100 [8] BYPASS         (0) Passes the reference clock to the output instead of
    the...
33     // 0x0000003f [5:0] REFDIV       (0x01) Divides the PLL input reference clock
34     io_rw_32 cs;
35
36     _REG_(PLL_PWR_OFFSET) // PLL_PWR
37     // Controls the PLL power modes
38     // 0x00000020 [5] VCOPD          (1) PLL VCO powerdown +
39     // 0x00000008 [3] POSTDIVPD      (1) PLL post divider powerdown +
40     // 0x00000004 [2] DSMPD          (1) PLL DSM powerdown +
41     // 0x00000001 [0] PD              (1) PLL powerdown +
42     io_rw_32 pwr;
43
44     _REG_(PLL_FBDIV_INT_OFFSET) // PLL_FBDIV_INT
45     // Feedback divisor
46     // 0x0000ffff [11:0] FBDIV_INT   (0x000) see ctrl reg description for constraints
47     io_rw_32 fbdiv_int;
48
49     _REG_(PLL_PRIM_OFFSET) // PLL_PRIM
50     // Controls the PLL post dividers for the primary output
51     // 0x00070000 [18:16] POSTDIV1    (0x7) divide by 1-7
52     // 0x00070000 [14:12] POSTDIV2    (0x7) divide by 1-7

```

```

53   io_rw_32 prim;
54
55   _REG_(PLL_INTR_OFFSET) // PLL_INTR
56   // Raw Interrupts
57   // 0x00000001 [0]   LOCK_N_STICKY (0)
58   io_rw_32 intr;
59
60   _REG_(PLL_INTE_OFFSET) // PLL_INTE
61   // Interrupt Enable
62   // 0x00000001 [0]   LOCK_N_STICKY (0)
63   io_rw_32 inte;
64
65   _REG_(PLL_INTF_OFFSET) // PLL_INTF
66   // Interrupt Force
67   // 0x00000001 [0]   LOCK_N_STICKY (0)
68   io_rw_32 intf;
69
70   _REG_(PLL_INTS_OFFSET) // PLL_INTS
71   // Interrupt status after masking & forcing
72   // 0x00000001 [0]   LOCK_N_STICKY (0)
73   io_ro_32 ints;
74 } pll_hw_t;

```

The SDK defines `pll_init`, which is used to configure or reconfigure a PLL. It starts by clearing any previous power state in the PLL, then calculates the appropriate feedback divider value. There are assertions to check that these values satisfy the constraints above.

SDK: https://github.com/raspberrypi/pico-sdk/blob/master/src/rp2_common/hardware_pll/pll.c Lines 13 - 21

```

13 void pll_init(PLL pll, uint refdiv, uint vco_freq, uint post_div1, uint post_div2) {
14     uint32_t ref_freq = XOSC_HZ / refdiv;
15
16     // Check vco freq is in an acceptable range
17     assert(vco_freq >= PICO_PLL_VCO_MIN_FREQ_HZ && vco_freq <= PICO_PLL_VCO_MAX_FREQ_HZ);
18
19     // What are we multiplying the reference clock by to get the vco freq
20     // (The regs are called div, because you divide the vco output and compare it to the
21     // refclk)
22     uint32_t fbdiv = vco_freq / ref_freq;

```

The programming sequence for the PLL is as follows:

1. Program the reference clock divider (is a divide by 1 in the RP2350 case).
2. Program the feedback divider.
3. Turn on the main power and VCO.
4. Wait for the VCO to achieve a stable frequency, as indicated by the **LOCK** status flag.
5. Set up post dividers and turn them on.

SDK: https://github.com/raspberrypi/pico-sdk/blob/master/src/rp2_common/hardware_pll/pll.c Lines 42 - 69

```

42     if ((pll->cs & PLL_CS_LOCK_BITS) &&
43         (refdiv == (pll->cs & PLL_CS_REFDIV_BITS)) &&
44         (fbdiv == (pll->fbdiv_int & PLL_FBDIV_INT_BITS)) &&
45         (pdv == (pll->prim & (PLL_PRIM_POSTDIV1_BITS | PLL_PRIM_POSTDIV2_BITS)))) {
46         // do not disrupt PLL that is already correctly configured and operating
47         return;
48     }
49

```

```

50 reset_unreset_block_num_wait_blocking(PLL_RESET_NUM(p11));
51
52 // Load VCO-related dividers before starting VCO
53 pll->cs = refdiv;
54 pll->fbdiv_int = fbdiv;
55
56 // Turn on PLL
57 uint32_t power = PLL_PWR_PD_BITS | // Main power
58                 PLL_PWR_VCO_PD_BITS; // VCO Power
59
60 hw_clear_bits(&pll->pwr, power);
61
62 // Wait for PLL to lock
63 while (!(pll->cs & PLL_CS_LOCK_BITS)) tight_loop_contents();
64
65 // Set up post dividers
66 pll->prim = pdiv;
67
68 // Turn on post divider
69 hw_clear_bits(&pll->pwr, PLL_PWR_POSTDIVPD_BITS);

```

The VCO turns on first, followed by the post dividers, so the PLL does not output a dirty clock while waiting for the VCO to lock.

8.6.5. List of Registers

The PLL_SYS and PLL_USB registers start at base addresses of 0x40050000 and 0x40058000 respectively (defined as PLL_SYS_BASE and PLL_USB_BASE in SDK).

Table 636. List of PLL registers

| Offset | Name | Info |
|--------|-----------|---|
| 0x00 | CS | Control and Status |
| 0x04 | PWR | Controls the PLL power modes. |
| 0x08 | FBDIV_INT | Feedback divisor |
| 0x0c | PRIM | Controls the PLL post dividers for the primary output |
| 0x10 | INTR | Raw Interrupts |
| 0x14 | INTE | Interrupt Enable |
| 0x18 | INTF | Interrupt Force |
| 0x1c | INTS | Interrupt status after masking & forcing |

PLL: CS Register

Offset: 0x00

Description

Control and Status
 GENERAL CONSTRAINTS:
 Reference clock frequency min=5MHz, max=800MHz
 Feedback divider min=16, max=320
 VCO frequency min=400MHz, max=1600MHz

Table 637. CS Register

| Bits | Description | Type | Reset |
|------|----------------------------|------|-------|
| 31 | LOCK: PLL is locked | RO | 0x0 |

| Bits | Description | Type | Reset |
|------|--|------|-------|
| 30 | LOCK_N : PLL is not locked Ideally this is cleared when PLL lock is seen and this should never normally be set | WC | 0x0 |
| 29:9 | Reserved. | - | - |
| 8 | BYPASS : Passes the reference clock to the output instead of the divided VCO. The VCO continues to run so the user can switch between the reference clock and the divided VCO but the output will glitch when doing so. | RW | 0x0 |
| 7:6 | Reserved. | - | - |
| 5:0 | REFDIV : Divides the PLL input reference clock. Behaviour is undefined for div=0. PLL output will be unpredictable during refdiv changes, wait for lock=1 before using it. | RW | 0x01 |

PLL: PWR Register

Offset: 0x04

Description

Controls the PLL power modes.

Table 638. PWR Register

| Bits | Description | Type | Reset |
|------|---|------|-------|
| 31:6 | Reserved. | - | - |
| 5 | VCOPD : PLL VCO powerdown To save power set high when PLL output not required or bypass=1. | RW | 0x1 |
| 4 | Reserved. | - | - |
| 3 | POSTDIVPD : PLL post divider powerdown To save power set high when PLL output not required or bypass=1. | RW | 0x1 |
| 2 | DSMPD : PLL DSM powerdown Nothing is achieved by setting this low. | RW | 0x1 |
| 1 | Reserved. | - | - |
| 0 | PD : PLL powerdown To save power set high when PLL output not required. | RW | 0x1 |

PLL: FBDIV_INT Register

Offset: 0x08

Description

Feedback divisor
(note: this PLL does not support fractional division)

Table 639. FBDIV_INT Register

| Bits | Description | Type | Reset |
|-------|--|------|-------|
| 31:12 | Reserved. | - | - |
| 11:0 | see ctrl reg description for constraints | RW | 0x000 |

PLL: PRIM Register

Offset: 0x0c

Description

Controls the PLL post dividers for the primary output
 (note: this PLL does not have a secondary output)
 the primary output is driven from VCO divided by $\text{postdiv1} * \text{postdiv2}$

Table 640. PRIM Register

| Bits | Description | Type | Reset |
|-------|---------------------------------|------|-------|
| 31:19 | Reserved. | - | - |
| 18:16 | POSTDIV1 : divide by 1-7 | RW | 0x7 |
| 15 | Reserved. | - | - |
| 14:12 | POSTDIV2 : divide by 1-7 | RW | 0x7 |
| 11:0 | Reserved. | - | - |

PLL: INTR Register

Offset: 0x10

Description

Raw Interrupts

Table 641. INTR Register

| Bits | Description | Type | Reset |
|------|----------------------|------|-------|
| 31:1 | Reserved. | - | - |
| 0 | LOCK_N_STICKY | WC | 0x0 |

PLL: INTE Register

Offset: 0x14

Description

Interrupt Enable

Table 642. INTE Register

| Bits | Description | Type | Reset |
|------|----------------------|------|-------|
| 31:1 | Reserved. | - | - |
| 0 | LOCK_N_STICKY | RW | 0x0 |

PLL: INTF Register

Offset: 0x18

Description

Interrupt Force

Table 643. INTF Register

| Bits | Description | Type | Reset |
|------|----------------------|------|-------|
| 31:1 | Reserved. | - | - |
| 0 | LOCK_N_STICKY | RW | 0x0 |

PLL: INTS Register

Offset: 0x1c

Description

Interrupt status after masking & forcing

Table 644. INTS
Register

| Bits | Description | Type | Reset |
|------|----------------------|------|-------|
| 31:1 | Reserved. | - | - |
| 0 | LOCK_N_STICKY | RO | 0x0 |

Chapter 9. GPIO

⚠ CAUTION

Under certain conditions, pull-down does not function as expected. For more information, see [RP2350-E9](#).

9.1. Overview

RP2350 has up to 54 multi-functional General Purpose Input / Output (GPIO) pins, divided into two banks:

Bank 0

30 user GPIOs in the QFN-60 package (RP2350A), or 48 user GPIOs in the QFN-80 package

Bank 1

six QSPI IOs, and the USB DP/DM pins

You can control each GPIO from software running on the processors, or by a number of other functional blocks. To meet USB rise and fall specifications, the analogue characteristics of the USB pins differ from the GPIO pads. As a result, we do not include them in the 54 GPIO total. However, you can still use them for UART, I2C, or processor-controlled GPIO through the single-cycle IO subsystem (SIO).

In a typical use case, the QSPI IOs are used to execute code from an external flash device, leaving 30 or 48 Bank 0 GPIOs for the programmer to use. The QSPI pins might become available for general purpose use when booting the chip from internal OTP, or controlling the chip externally through SWD in an IO expander application.

All GPIOs support digital input and output. Several Bank 0 GPIOs can also be used as inputs to the chip's Analogue to Digital Converter (ADC):

- GPIOs 26 through 29 inclusive (four total) in the QFN-60 package
- GPIOs 40 through 47 (eight total) in the QFN-80 package

Bank 0 supports the following functions:

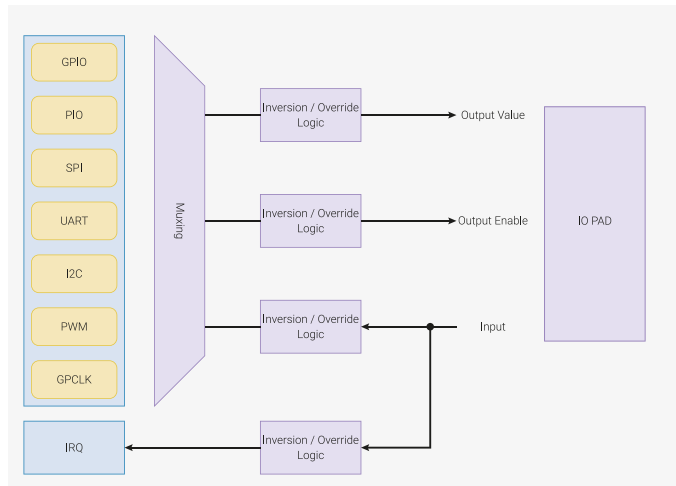
- Software control via SIO – [Section 3.1.3, “GPIO control”](#)
- Programmable IO (PIO) – [Chapter 11, PIO](#)
- 2 × SPI – [Section 12.3, “SPI”](#)
- 2 × UART – [Section 12.1, “UART”](#)
- 2 × I2C (two-wire serial interface) – [Section 12.2, “I2C”](#)
- 8 × two-channel PWM in the QFN-60 package, or 12 × in QFN-80 – [Section 12.5, “PWM”](#)
- 2 × external clock inputs – [Section 8.1.2.4, “External clocks”](#)
- 4 × general purpose clock output – [Section 8.1, “Overview”](#)
- 4 × input to ADC in the QFN-60 package, or 8 × in QFN-80 – [Section 12.4, “ADC and Temperature Sensor”](#)
- 1 × HSTX high-speed interface – [Section 12.11, “HSTX”](#)
- 1 × auxiliary QSPI chip select, for a second XIP device – [Section 12.14, “QSPI memory interface \(QMI\)”](#)
- CoreSight execution trace output – [Section 3.5.7, “Trace”](#)
- USB VBUS management – [Section 12.7.3.10, “VBUS control”](#)
- External interrupt requests, level or edge-sensitive – [Section 9.5, “Interrupts”](#)

Bank 1 contains the QSPI and USB DP/DM pins and supports the following functions:

- Software control via SIO – [Section 3.1.3, “GPIO control”](#)
- Flash execute in place ([Section 4.4, “External flash and PSRAM \(XIP\)”](#)) via QSPI Memory Interface (QMI) – [Section 12.14, “QSPI memory interface \(QMI\)”](#)
- UART – [Section 12.1, “UART”](#)
- I2C (two-wire serial interface) – [Section 12.2, “I2C”](#)

The logical structure of an example IO is shown in [Figure 41](#).

Figure 41. Logical structure of a GPIO. Each GPIO can be controlled by one of a number of peripherals, or by software control registers in the SIO. The function select (FSEL) selects which peripheral output is in control of the GPIO’s direction and output level, and which peripheral input can see this GPIO’s input level. These three signals (output level, output enable, input level) can also be inverted or forced high or low, using the GPIO control registers.



9.2. Changes from RP2040

RP2350 GPIO differs from RP2040 in the following ways:

- 18 more GPIOs in the QFN-80 package
- Addition of a third PIO to GPIO functions
- USB DP/DM pins can be used as GPIO
- Addition of isolation register to pad registers (preserves pad state while in a low power state, cleared by software on power up)
- Changed default reset state of pad controls
- Both Secure and Non-secure access to GPIOs (see [Section 10.6](#))
- Double the number of GPIO interrupts to differentiate between Secure and Non-secure
- Interrupt summary registers added so you can quickly see which GPIOs have pending interrupts

9.3. Reset state

At first power up, Bank 0 IOs (GPIOs 0 through 29 in the QFN-60 package, and GPIOs 0 through 47 in the QFN-80 package) assume the following state:

- Output buffer is high-impedance
- Input buffer is disabled
- Pulled low
- Isolation latches are set to latched ([Section 9.7](#))

The pad output disable bit ([GPIO0.OD](#)) for each pad is clear at reset, but the IO muxing is reset to the null function,

which ensures that the output buffer is high-impedance.

! IMPORTANT

The pad reset state is different from RP2040, which only disables digital inputs on GPIOs 26 through 29 (as of version B2) and does not have isolation latches. Applications must enable the pad input (`GPIO0.IE = 1`) and disable pad isolation latches (`GPIO0.ISO = 0`) before using the pads for digital I/O. The `gpio_set_function()` SDK function performs these tasks automatically.

Bank 1 IOs have the same reset state as Bank 0 GPIOs, except for the input enable (IE) resetting to 1, and different pull-up/pull-down states: SCK, SD0 and SD1 are pull-down, but SD2, SD3 and CSn are pull-up.

i NOTE

To use a Bank 0 GPIO as a second chip select, you need an external pull-up to ensure the second QSPI device does not power up with its chip select asserted.

The pads return to the reset state on any of the following:

- A brownout reset
- Asserting the RUN pin low
- Setting SW-DP CDBGSTREQ via SWD
- Setting RP-AP rescue reset via SWD

If a pad's isolation latches are in the latched state ([Section 9.7](#)) then resetting the PADS and IO registers does not physically return the pad to its reset state. The isolation latches prevent upstream signals from propagating to the pad. Clear the ISO bit to allow signals to propagate.

9.4. Function select

To allocate a function to a GPIO, write to the `FUNCSEL` field in the `CTRL` register corresponding to the pin. For a list of GPIOs and corresponding registers, see [Table 645](#). For an example, see [GPIO0_CTRL](#). The descriptions for the functions listed in this table can be found in [Table 646](#).

Each GPIO can only select one function at a time. Each peripheral input (e.g. UART0 RX) should only be selected by one GPIO at a time. If you connect the same peripheral input to multiple GPIOs, the peripheral sees the logical OR of these GPIO inputs.

Table 645. General Purpose Input/Output (GPIO) Bank 0 Functions

| GPIO | F0 | F1 | F2 | F3 | F4 | F5 | F6 | F7 | F8 | F9 | F10 | F11 |
|------|------|----------|-----------|----------|--------|-----|------|------|------|--------------|---------------|----------|
| 0 | | SPI0 RX | UART0 TX | I2C0 SDA | PWM0 A | SIO | PI00 | PI01 | PI02 | QMI CS1n | USB OVCUR DET | |
| 1 | | SPI0 CSn | UART0 RX | I2C0 SCL | PWM0 B | SIO | PI00 | PI01 | PI02 | TRACECLK | USB VBUS DET | |
| 2 | | SPI0 SCK | UART0 CTS | I2C1 SDA | PWM1 A | SIO | PI00 | PI01 | PI02 | TRACEDATA0 | USB VBUS EN | UART0 TX |
| 3 | | SPI0 TX | UART0 RTS | I2C1 SCL | PWM1 B | SIO | PI00 | PI01 | PI02 | TRACEDATA1 | USB OVCUR DET | UART0 RX |
| 4 | | SPI0 RX | UART1 TX | I2C0 SDA | PWM2 A | SIO | PI00 | PI01 | PI02 | TRACEDATA2 | USB VBUS DET | |
| 5 | | SPI0 CSn | UART1 RX | I2C0 SCL | PWM2 B | SIO | PI00 | PI01 | PI02 | TRACEDATA3 | USB VBUS EN | |
| 6 | | SPI0 SCK | UART1 CTS | I2C1 SDA | PWM3 A | SIO | PI00 | PI01 | PI02 | | USB OVCUR DET | UART1 TX |
| 7 | | SPI0 TX | UART1 RTS | I2C1 SCL | PWM3 B | SIO | PI00 | PI01 | PI02 | | USB VBUS DET | UART1 RX |
| 8 | | SPI1 RX | UART1 TX | I2C0 SDA | PWM4 A | SIO | PI00 | PI01 | PI02 | QMI CS1n | USB VBUS EN | |
| 9 | | SPI1 CSn | UART1 RX | I2C0 SCL | PWM4 B | SIO | PI00 | PI01 | PI02 | | USB OVCUR DET | |
| 10 | | SPI1 SCK | UART1 CTS | I2C1 SDA | PWM5 A | SIO | PI00 | PI01 | PI02 | | USB VBUS DET | UART1 TX |
| 11 | | SPI1 TX | UART1 RTS | I2C1 SCL | PWM5 B | SIO | PI00 | PI01 | PI02 | | USB VBUS EN | UART1 RX |
| 12 | HSTX | SPI1 RX | UART0 TX | I2C0 SDA | PWM6 A | SIO | PI00 | PI01 | PI02 | CLOCK GPIN0 | USB OVCUR DET | |
| 13 | HSTX | SPI1 CSn | UART0 RX | I2C0 SCL | PWM6 B | SIO | PI00 | PI01 | PI02 | CLOCK GPOUT0 | USB VBUS DET | |
| 14 | HSTX | SPI1 SCK | UART0 CTS | I2C1 SDA | PWM7 A | SIO | PI00 | PI01 | PI02 | CLOCK GPIN1 | USB VBUS EN | UART0 TX |
| 15 | HSTX | SPI1 TX | UART0 RTS | I2C1 SCL | PWM7 B | SIO | PI00 | PI01 | PI02 | CLOCK GPOUT1 | USB OVCUR DET | UART0 RX |
| 16 | HSTX | SPI0 RX | UART0 TX | I2C0 SDA | PWM0 A | SIO | PI00 | PI01 | PI02 | | USB VBUS DET | |
| 17 | HSTX | SPI0 CSn | UART0 RX | I2C0 SCL | PWM0 B | SIO | PI00 | PI01 | PI02 | | USB VBUS EN | |
| 18 | HSTX | SPI0 SCK | UART0 CTS | I2C1 SDA | PWM1 A | SIO | PI00 | PI01 | PI02 | | USB OVCUR DET | UART0 TX |
| 19 | HSTX | SPI0 TX | UART0 RTS | I2C1 SCL | PWM1 B | SIO | PI00 | PI01 | PI02 | QMI CS1n | USB VBUS DET | UART0 RX |
| 20 | | SPI0 RX | UART1 TX | I2C0 SDA | PWM2 A | SIO | PI00 | PI01 | PI02 | CLOCK GPIN0 | USB VBUS EN | |
| 21 | | SPI0 CSn | UART1 RX | I2C0 SCL | PWM2 B | SIO | PI00 | PI01 | PI02 | CLOCK GPOUT0 | USB OVCUR DET | |
| 22 | | SPI0 SCK | UART1 CTS | I2C1 SDA | PWM3 A | SIO | PI00 | PI01 | PI02 | CLOCK GPIN1 | USB VBUS DET | UART1 TX |

| GPIO | F0 | F1 | F2 | F3 | F4 | F5 | F6 | F7 | F8 | F9 | F10 | F11 |
|---|----|----------|-----------|----------|---------|-----|------|------|------|--------------|---------------|----------|
| 23 | | SPI0 TX | UART1 RTS | I2C1 SCL | PWM3 B | SIO | PI00 | PI01 | PI02 | CLOCK GPOUT1 | USB VBUS EN | UART1 RX |
| 24 | | SPI1 RX | UART1 TX | I2C0 SDA | PWM4 A | SIO | PI00 | PI01 | PI02 | CLOCK GPOUT2 | USB OVCCR DET | |
| 25 | | SPI1 CSn | UART1 RX | I2C0 SCL | PWM4 B | SIO | PI00 | PI01 | PI02 | CLOCK GPOUT3 | USB VBUS DET | |
| 26 | | SPI1 SCK | UART1 CTS | I2C1 SDA | PWM5 A | SIO | PI00 | PI01 | PI02 | | USB VBUS EN | UART1 TX |
| 27 | | SPI1 TX | UART1 RTS | I2C1 SCL | PWM5 B | SIO | PI00 | PI01 | PI02 | | USB OVCCR DET | UART1 RX |
| 28 | | SPI1 RX | UART0 TX | I2C0 SDA | PWM6 A | SIO | PI00 | PI01 | PI02 | | USB VBUS DET | |
| 29 | | SPI1 CSn | UART0 RX | I2C0 SCL | PWM6 B | SIO | PI00 | PI01 | PI02 | | USB VBUS EN | |
| GPIOs 30 through 47 are QFN-80 only: | | | | | | | | | | | | |
| 30 | | SPI1 SCK | UART0 CTS | I2C1 SDA | PWM7 A | SIO | PI00 | PI01 | PI02 | | USB OVCCR DET | UART0 TX |
| 31 | | SPI1 TX | UART0 RTS | I2C1 SCL | PWM7 B | SIO | PI00 | PI01 | PI02 | | USB VBUS DET | UART0 RX |
| 32 | | SPI0 RX | UART0 TX | I2C0 SDA | PWM8 A | SIO | PI00 | PI01 | PI02 | | USB VBUS EN | |
| 33 | | SPI0 CSn | UART0 RX | I2C0 SCL | PWM8 B | SIO | PI00 | PI01 | PI02 | | USB OVCCR DET | |
| 34 | | SPI0 SCK | UART0 CTS | I2C1 SDA | PWM9 A | SIO | PI00 | PI01 | PI02 | | USB VBUS DET | UART0 TX |
| 35 | | SPI0 TX | UART0 RTS | I2C1 SCL | PWM9 B | SIO | PI00 | PI01 | PI02 | | USB VBUS EN | UART0 RX |
| 36 | | SPI0 RX | UART1 TX | I2C0 SDA | PWM10 A | SIO | PI00 | PI01 | PI02 | | USB OVCCR DET | |
| 37 | | SPI0 CSn | UART1 RX | I2C0 SCL | PWM10 B | SIO | PI00 | PI01 | PI02 | | USB VBUS DET | |
| 38 | | SPI0 SCK | UART1 CTS | I2C1 SDA | PWM11 A | SIO | PI00 | PI01 | PI02 | | USB VBUS EN | UART1 TX |
| 39 | | SPI0 TX | UART1 RTS | I2C1 SCL | PWM11 B | SIO | PI00 | PI01 | PI02 | | USB OVCCR DET | UART1 RX |
| 40 | | SPI1 RX | UART1 TX | I2C0 SDA | PWM8 A | SIO | PI00 | PI01 | PI02 | | USB VBUS DET | |
| 41 | | SPI1 CSn | UART1 RX | I2C0 SCL | PWM8 B | SIO | PI00 | PI01 | PI02 | | USB VBUS EN | |
| 42 | | SPI1 SCK | UART1 CTS | I2C1 SDA | PWM9 A | SIO | PI00 | PI01 | PI02 | | USB OVCCR DET | UART1 TX |
| 43 | | SPI1 TX | UART1 RTS | I2C1 SCL | PWM9 B | SIO | PI00 | PI01 | PI02 | | USB VBUS DET | UART1 RX |
| 44 | | SPI1 RX | UART0 TX | I2C0 SDA | PWM10 A | SIO | PI00 | PI01 | PI02 | | USB VBUS EN | |

| GPIO | F0 | F1 | F2 | F3 | F4 | F5 | F6 | F7 | F8 | F9 | F10 | F11 |
|------|----|----------|-----------|----------|---------|-----|------|------|------|----------|---------------|----------|
| 45 | | SPI1 CSn | UART0 RX | I2C0 SCL | PWM10 B | SIO | PI00 | PI01 | PI02 | | USB OVCUR DET | |
| 46 | | SPI1 SCK | UART0 CTS | I2C1 SDA | PWM11 A | SIO | PI00 | PI01 | PI02 | | USB VBUS DET | UART0 TX |
| 47 | | SPI1 TX | UART0 RTS | I2C1 SCL | PWM11 B | SIO | PI00 | PI01 | PI02 | QMI CS1n | USB VBUS EN | UART0 RX |

Table 646. GPIO User Bank function descriptions

| Function Name | Description |
|--------------------------------|--|
| SPIx | Connect one of the internal PL022 SPI peripherals to GPIO. |
| UARTx | Connect one of the internal PL011 UART peripherals to GPIO. |
| I2Cx | Connect one of the internal DW I2C peripherals to GPIO. |
| PWMx A/B | Connect a PWM slice to GPIO. There are twelve PWM slices, each with two output channels (A/B). The B pin can also be used as an input, for frequency and duty cycle measurement. |
| SIO | Software control of GPIO from the Single-cycle IO (SIO) block. The SIO function (F5) must be selected for the processors to <i>drive</i> a GPIO, but the input is always connected, so software can check the state of GPIOs at any time. |
| PIOx | Connect one of the programmable IO blocks (PIO) to GPIO. PIO can implement a wide variety of interfaces, and has its own internal pin mapping hardware, allowing flexible placement of digital interfaces on Bank 0 GPIOs. The PIO function (F6, F7, F8) must be selected for PIO to <i>drive</i> a GPIO, but the input is always connected, so the PIOs can always see the state of all pins. |
| HSTX | Connect the high-speed transmit peripheral (HSTX) to GPIO. |
| CLOCK GPINx | General purpose clock inputs. Can be routed to a number of internal clock domains on RP2350, e.g. to provide a 1Hz clock for the AON Timer, or can be connected to an internal frequency counter. |
| CLOCK GPOUTx | General purpose clock outputs. Can drive a number of internal clocks (including PLL outputs) onto GPIOs, with optional integer divide. |
| TRACECLK, TRACEDATAx | CoreSight execution trace output from Cortex-M33 processors (Arm-only). |
| USB OVCUR DET/VBUS DET/VBUS EN | USB power control signals to/from the internal USB controller. |
| QMI CS1n | Auxiliary chip select for QSPI bus, to allow execute-in-place from an additional flash or PSRAM device. |

Bank 1 function select operates identically to Bank 0, but its registers are in a different register block, starting with [USBPHY_DP_CTRL](#).

Table 647. GPIO Bank 1 Functions

| Pin | F0 | F1 | F2 | F3 | F4 | F5 | F6 | F7 | F8 | F9 | F10 | F11 |
|----------|----------|----|-----------|----------|----|-----|----|----|----|----|-----|----------|
| USB DP | | | UART1 TX | I2C0 SDA | | SIO | | | | | | |
| USB DM | | | UART1 RX | I2C0 SCL | | SIO | | | | | | |
| QSPI SCK | QMI SCK | | UART1 CTS | I2C1 SDA | | SIO | | | | | | UART1 TX |
| QSPI CSn | QMI CS0n | | UART1 RTS | I2C1 SCL | | SIO | | | | | | UART1 RX |
| QSPI SD0 | QMI SD0 | | UART0 TX | I2C0 SDA | | SIO | | | | | | |
| QSPI SD1 | QMI SD1 | | UART0 RX | I2C0 SCL | | SIO | | | | | | |
| QSPI SD2 | QMI SD2 | | UART0 CTS | I2C1 SDA | | SIO | | | | | | UART0 TX |
| QSPI SD3 | QMI SD3 | | UART0 RTS | I2C1 SCL | | SIO | | | | | | UART0 RX |

Table 648. GPIO bank 1 function descriptions

| Function Name | Description |
|---------------|---|
| UARTx | Connect one of the internal PL011 UART peripherals to GPIO. |
| I2Cx | Connect one of the internal DW I2C peripherals to GPIO. |

| Function Name | Description |
|---------------|--|
| SIO | Software control of GPIO, from the single-cycle IO (SIO) block. The SIO function (F5) must be selected for the processors to <i>drive</i> a GPIO, but the input is always connected, so software can check the state of GPIOs at any time. |
| QMI | QSPI memory interface peripheral, used for execute-in-place from external QSPI flash or PSRAM memory devices. |

The six QSPI Bank GPIO pins are typically used by the XIP peripheral to communicate with an external flash device. However, there are two scenarios where the pins can be used as software-controlled GPIOs:

- If a SPI or Dual-SPI flash device is used for execute-in-place, then the SD2 and SD3 pins are not used for flash access, and can be used for other GPIO functions on the circuit board.
- If RP2350 is used in a flashless configuration (USB and OTP boot only), then all six pins can be used for software-controlled GPIO functions.

9.5. Interrupts

An interrupt can be generated for every GPIO pin in four scenarios:

- Level High: the GPIO pin is a logical 1
- Level Low: the GPIO pin is a logical 0
- Edge High: the GPIO has transitioned from a logical 0 to a logical 1
- Edge Low: the GPIO has transitioned from a logical 1 to a logical 0

The level interrupts are not latched. This means that if the pin is a logical 1 and the level high interrupt is active, it will become inactive as soon as the pin changes to a logical 0. The edge interrupts are stored in the **INTR** register and can be cleared by writing to the **INTR** register.

There are enable, status, and force registers for three interrupt destinations: proc 0, proc 1, and dormant_wake. For proc 0 the registers are enable (**PROC0_INTE0**), status (**PROC0_INTS0**), and force (**PROC0_INTF0**). Dormant wake is used to wake the ROSC or XOSC up from dormant mode. See [Section 6.5.6.2](#) for more information on dormant mode.

There is an interrupt output for each combination of IO bank, IRQ destination, and security domain. In total there are twelve such outputs:

- IO Bank 0 to dormant wake (Secure and Non-secure)
- IO Bank 0 to proc 0 (Secure and Non-secure)
- IO Bank 0 to proc 1 (Secure and Non-secure)
- IO QSPI to dormant wake (Secure and Non-secure)
- IO QSPI to proc 0 (Secure and Non-secure)
- IO QSPI to proc 1 (Secure and Non-secure)

Each interrupt output has its own array of enable registers (INTE) that configures which GPIO events cause the interrupt to assert. The interrupt asserts when at least one enabled event occurs, and de-asserts when all enabled events have been acknowledged via the relevant INTR register.

This means the user can watch for several GPIO events at once.

Summary registers can be used to quickly check for pending GPIO interrupts. See [IRQSUMMARY_PROC0_NONSECURE0](#) for an example.

9.6. Pads

⚠ CAUTION

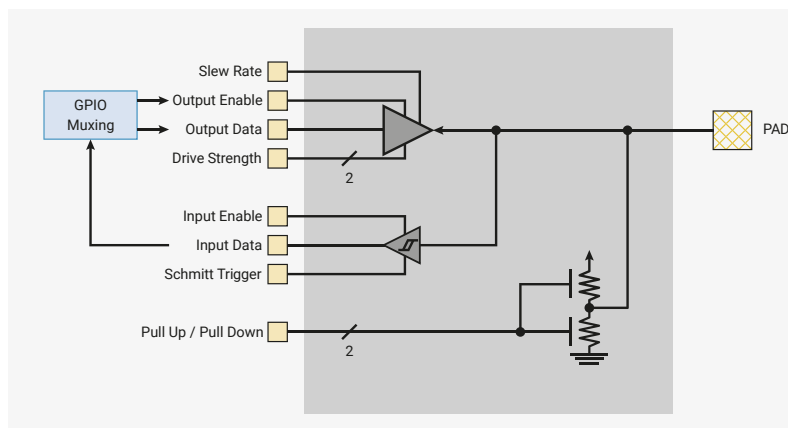
Under certain conditions, pull-down does not function as expected. For more information, see [RP2350-E9](#).

Each GPIO is connected off-chip via a **pad**. Pads are the electrical interface between the chip's internal logic and external circuitry. They translate signal voltage levels, support higher currents and offer some protection against electrostatic discharge (ESD) events. You can adjust pad electrical behaviour to meet the requirements of external circuitry in the following ways:

- Output drive strength can be set to 2mA, 4mA, 8mA or 12mA.
- Output slew rate can be set to slow or fast.
- Input hysteresis (Schmitt trigger mode) can be enabled.
- A pull-up or pull-down can be enabled, to set the output signal level when the output driver is disabled.
- The input buffer can be disabled, to reduce current consumption when the pad is unused, unconnected or connected to an analogue signal.

An example pad is shown in [Figure 42](#).

Figure 42. Diagram of a single IO pad.



The pad's Output Enable, Output Data and Input Data ports connect, via the IO mux, to the function controlling the pad. All other ports are controlled from the pad control register. You can use this register to disable the pad's output driver by overriding the Output Enable signal from the function controlling the pad. See [GPIO0](#) for an example of a pad control register.

Both the output signal level and acceptable input signal level at the pad are determined by the digital IO supply (IOVDD). IOVDD can be any nominal voltage between 1.8V and 3.3V, but to meet specification when powered at 1.8V, the pad input thresholds must be adjusted by writing a 1 to the pad `VOLTAGE_SELECT` registers. By default, the pad input thresholds are valid for an IOVDD voltage between 2.5V and 3.3V. Using a voltage of 1.8V with the default input thresholds is a safe operating mode, but it will result in input thresholds that don't meet specification.

⚠ WARNING

Using IOVDD voltages greater than 1.8V, with the input thresholds set for 1.8V may result in damage to the chip.

Pad input threshold are adjusted on a per bank basis, with separate `VOLTAGE_SELECT` registers for the pads associated with the User IO bank (IO Bank 0) and the QSPI IO bank. However, both banks share the same digital IO supply (IOVDD), so both register should always be set to the same value.

Pad register details are available in [Section 9.11.3, "Pad Control - User Bank"](#) and [Section 9.11.4, "Pad Control - QSPI Bank"](#).

9.6.1. Bus keeper mode

For each pad, only the pull-up or the pull-down resistor can be enabled at any given time. It is impossible to enable both simultaneously. Instead, if you set both the `GPIO0.PDE` and `GPIO0.PUE` bits simultaneously then you enable **bus keeper** mode, where the pad is:

- Pulled up when its input is high.
- Pulled down when its input is low.

When the output buffer is disabled, and the pad is not driven by any external source, this mode weakly retains the pad's current logical state. The pad does not float to mid-rail.

Bus keeper mode relies on control logic in the switched core domain, so does not function when the core is powered down. Rather, powering down the core when bus keeper mode is enabled latches the current output controls (pull-up or pull-down) in the pad isolation latches, as described in [Section 9.7](#).

9.7. Pad isolation latches

RP2350 features extended low-power states that allow all internal logic, with the exception of POWMAN and some CoreSight debug logic, to fully power down under software control. This includes powering down all peripherals, the IO muxing, and the pad control registers, which brings with it the risk that pad signals may experience unwanted transitions when entering and exiting low-power states.

To ensure that pad states are well-defined at all times, all signals passing from the switched core power domain to the pads pass through **isolation latches**. In normal operation, the latches are transparent, so the pads are controlled fully by logic inside the switched core power domain, such as UARTs or the processors. However, when the ISO bit for each pad is set (e.g. `GPIO0.ISO`) or the switched core domain is powered down, the control signals currently presented to that pad are **latched** until the isolation is disabled. This includes the output enable state, output high/low level, and pull-up/pull-down resistor enable. The input signal from the pad back into the switched core domain is not isolated.

Consequently, when switched core logic is powered down, all Bank 0 and Bank 1 pads maintain the output state they held immediately before the power down, unless overridden by always-on logic in POWMAN. When the switched core power domain powers back up, all the GPIO ISO bits reset to 1, so the pre-power down state continues to be maintained until user software starts up and clears the ISO bit to indicate it is ready to use the pad again. Pads whose IO muxing has not yet been set up can be left isolated indefinitely, and will maintain their pre-power down state.

when software has finished setting up the IO muxing for a given pad, and the peripheral that is to be muxed in, the ISO bit should be cleared. At this point the isolation latches will become transparent again: output signals passing through the IO muxing block are now reflected in the pad output state, so peripherals can communicate with the outside world. This process allows the switched core domain to be power cycled without causing any transitions on the pad outputs that may interfere with the operation of external hardware connected to the pads.

i NOTE

Non-SDK applications ported from RP2040 must clear the ISO bit before using a GPIO, as this feature was not present on RP2040. The SDK automatically clears the ISO bit when `gpio_set_function()` is called.

The isolation latches themselves are reset by the always-on power domain reset, namely any one of:

- Power-on reset
- Brownout reset
- RUN pin being asserted low
- SW-DP CDBGSTREQ
- RP-AP rescue reset

The latches reset to the reset value of the signal being isolated. For example, on Bank 0 GPIOs, the input enable control

(GPIO0.IE) resets to 0 (input-disabled), so the isolation latches for these signals also take a reset value of 0. Resetting the isolation latch forces the pad to assume its reset state *even if it is currently isolated*.

The ISO control bits (e.g. GPIO0.ISO) are reset by the top-level switched core domain isolation signal, which is asserted by POWMAN before powering down the switched core domain and de-asserted after it is powered up. This means that entering and exiting a sleep state where the switched core domain is unpowered leaves all GPIOs isolated after power up; you can then re-engage them individually. The ISO control bits are not reset by the PADS register block reset driven by the RESETS control registers: resetting the PADS register block returns non-isolated pads to their reset state, but has no effect on isolated pads.

9.8. Processor GPIO controls (SIO)

The single-cycle IO subsystem (Section 3.1) contains memory-mapped GPIO registers. The processors can use these to perform input/output operations on GPIOs:

- The GPIO_OUT and GPIO_HI_OUT registers set the output level: 1 = high, 0 = low
- The GPIO_OE and GPIO_HI_OE registers set the output enable: 1 = output, 0 = input
- The GPIO_IN and GPIO_HI_IN registers read the GPIO inputs

These registers are all 32 bits in size. The low registers (e.g. GPIO_OUT) connect to GPIOs 0 through 31, and the high registers (e.g. GPIO_HI_OUT) connect to GPIOs 32 through 47, the QSPI pads, and the USB DM/DP pads.

For the output and output enable registers to take effect, the SIO function must be selected on each GPIO (function 5). However, the GPIO input registers read back the GPIO input values even when the SIO function is not selected, so the processor can always check the input state of any pin.

The SIO GPIO registers are shared between the two processors and between the Secure and Non-secure security domains. This avoids programming errors introduced by selecting multiple GPIO functions for access from different contexts.

Non-secure code's view of the SIO registers is restricted by the Non-secure GPIO mask defined in GPIO_NSMASK0 and GPIO_NSMASK1. Non-secure writes to Secure GPIOs are ignored. Non-secure reads of Secure GPIOs return 0.

These registers are documented in more detail in the SIO GPIO register section (Section 3.1.3).

The DMA cannot access registers in the SIO subsystem. The recommended method to DMA to GPIOs is a PIO program that continuously transfers TX FIFO data to the GPIO outputs, which provides more consistent timing than DMA directly into GPIO registers.

9.9. GPIO coprocessor port

Coprocessor port 0 on each Cortex-M33 processor connects to a GPIO coprocessor interface. These coprocessor instructions provide fast access to the SIO GPIO registers from Arm software:

- The equivalent of any SIO GPIO register access is a single instruction, without having to materialise a 32-bit register address beforehand
- An indexed write operation on any single GPIO is a single instruction
- 64 bits can be read/written in a single instruction

This reduces the timing impact of GPIO accesses on surrounding software, for example when GPIO tracing has been added to interrupt handlers diagnose complex timing issues.

Both Secure and Non-secure code may access the coprocessor. Non-secure code sees a restricted view of the GPIO registers, defined by ACCESSCTRL GPIO_NSMASK0/1.

The GPIO coprocessor instruction set is documented in Section 3.6.1.

9.10. Software examples

9.10.1. Select an IO function

An IO pin can perform many different functions and must be configured before use. For example, you may want it to be a `UART_TX` pin, or a `PWM` output. The SDK provides `gpio_set_function` for this purpose. Many SDK examples call `gpio_set_function` early on to enable printing to a UART.

The SDK starts by defining a structure to represent the registers of IO Bank 0, the User IO bank. Each IO has a status register, followed by a control register. For `N` IOs, the SDK instantiates the structure containing a status and control register as `io[N]` to repeat it `N` times.

SDK: https://github.com/raspberrypi/pico-sdk/blob/master/src/rp2350/hardware_structs/include/hardware/structs/io_bank0.h Lines 179 - 445

```

179 typedef struct {
180     io_bank0_status_ctrl_hw_t io[48];
181
182     uint32_t _pad0[32];
183
184     // (Description copied from array index 0 register IO_BANK0_IRQSUMMARY_PROC0_SECURE0
185     // applies similarly to other array indexes)
186     _REG_(IO_BANK0_IRQSUMMARY_PROC0_SECURE0_OFFSET) // IO_BANK0_IRQSUMMARY_PROC0_SECURE0
187     // 0x80000000 [31]   GPIO31   (0)
188     // 0x40000000 [30]   GPIO30   (0)
189     // 0x20000000 [29]   GPIO29   (0)
190     // 0x10000000 [28]   GPIO28   (0)
191     // 0x08000000 [27]   GPIO27   (0)
192     // 0x04000000 [26]   GPIO26   (0)
193     // 0x02000000 [25]   GPIO25   (0)
194     // 0x01000000 [24]   GPIO24   (0)
195     // 0x00800000 [23]   GPIO23   (0)
196     // 0x00400000 [22]   GPIO22   (0)
197     // 0x00200000 [21]   GPIO21   (0)
198     // 0x00100000 [20]   GPIO20   (0)
199     // 0x00080000 [19]   GPIO19   (0)
200     // 0x00040000 [18]   GPIO18   (0)
201     // 0x00020000 [17]   GPIO17   (0)
202     // 0x00010000 [16]   GPIO16   (0)
203     // 0x00008000 [15]   GPIO15   (0)
204     // 0x00004000 [14]   GPIO14   (0)
205     // 0x00002000 [13]   GPIO13   (0)
206     // 0x00001000 [12]   GPIO12   (0)
207     // 0x00000800 [11]   GPIO11   (0)
208     // 0x00000400 [10]   GPIO10   (0)
209     // 0x00000200 [9]    GPIO9    (0)
210     // 0x00000100 [8]    GPIO8    (0)
211     // 0x00000080 [7]    GPIO7    (0)
212     // 0x00000040 [6]    GPIO6    (0)
213     // 0x00000020 [5]    GPIO5    (0)
214     // 0x00000010 [4]    GPIO4    (0)
215     // 0x00000008 [3]    GPIO3    (0)
216     // 0x00000004 [2]    GPIO2    (0)
217     // 0x00000002 [1]    GPIO1    (0)
218     // 0x00000001 [0]    GPIO0    (0)
219     io_ro_32 irqsummary_proc0_secure[2];
220
221     // (Description copied from array index 0 register IO_BANK0_IRQSUMMARY_PROC0_NONSECURE0
222     // applies similarly to other array indexes)
223     _REG_(IO_BANK0_IRQSUMMARY_PROC0_NONSECURE0_OFFSET) //
224     IO_BANK0_IRQSUMMARY_PROC0_NONSECURE0
225     // 0x80000000 [31]   GPIO31   (0)

```

```

223 // 0x40000000 [30] GPI030 (0)
224 // 0x20000000 [29] GPI029 (0)
225 // 0x10000000 [28] GPI028 (0)
226 // 0x08000000 [27] GPI027 (0)
227 // 0x04000000 [26] GPI026 (0)
228 // 0x02000000 [25] GPI025 (0)
229 // 0x01000000 [24] GPI024 (0)
230 // 0x00800000 [23] GPI023 (0)
231 // 0x00400000 [22] GPI022 (0)
232 // 0x00200000 [21] GPI021 (0)
233 // 0x00100000 [20] GPI020 (0)
234 // 0x00080000 [19] GPI019 (0)
235 // 0x00040000 [18] GPI018 (0)
236 // 0x00020000 [17] GPI017 (0)
237 // 0x00010000 [16] GPI016 (0)
238 // 0x00008000 [15] GPI015 (0)
239 // 0x00004000 [14] GPI014 (0)
240 // 0x00002000 [13] GPI013 (0)
241 // 0x00001000 [12] GPI012 (0)
242 // 0x00000800 [11] GPI011 (0)
243 // 0x00000400 [10] GPI010 (0)
244 // 0x00000200 [9] GPI09 (0)
245 // 0x00000100 [8] GPI08 (0)
246 // 0x00000080 [7] GPI07 (0)
247 // 0x00000040 [6] GPI06 (0)
248 // 0x00000020 [5] GPI05 (0)
249 // 0x00000010 [4] GPI04 (0)
250 // 0x00000008 [3] GPI03 (0)
251 // 0x00000004 [2] GPI02 (0)
252 // 0x00000002 [1] GPI01 (0)
253 // 0x00000001 [0] GPI00 (0)
254 io_ro_32 irqsummary_proc0_nonsecure[2];
255
256 // (Description copied from array index 0 register IO_BANK0_IRQSUMMARY_PROC1_SECURE0
applies similarly to other array indexes)
257 _REG(IO_BANK0_IRQSUMMARY_PROC1_SECURE0_OFFSET) // IO_BANK0_IRQSUMMARY_PROC1_SECURE0
258 // 0x80000000 [31] GPI031 (0)
259 // 0x40000000 [30] GPI030 (0)
260 // 0x20000000 [29] GPI029 (0)
261 // 0x10000000 [28] GPI028 (0)
262 // 0x08000000 [27] GPI027 (0)
263 // 0x04000000 [26] GPI026 (0)
264 // 0x02000000 [25] GPI025 (0)
265 // 0x01000000 [24] GPI024 (0)
266 // 0x00800000 [23] GPI023 (0)
267 // 0x00400000 [22] GPI022 (0)
268 // 0x00200000 [21] GPI021 (0)
269 // 0x00100000 [20] GPI020 (0)
270 // 0x00080000 [19] GPI019 (0)
271 // 0x00040000 [18] GPI018 (0)
272 // 0x00020000 [17] GPI017 (0)
273 // 0x00010000 [16] GPI016 (0)
274 // 0x00008000 [15] GPI015 (0)
275 // 0x00004000 [14] GPI014 (0)
276 // 0x00002000 [13] GPI013 (0)
277 // 0x00001000 [12] GPI012 (0)
278 // 0x00000800 [11] GPI011 (0)
279 // 0x00000400 [10] GPI010 (0)
280 // 0x00000200 [9] GPI09 (0)
281 // 0x00000100 [8] GPI08 (0)
282 // 0x00000080 [7] GPI07 (0)
283 // 0x00000040 [6] GPI06 (0)
284 // 0x00000020 [5] GPI05 (0)
285 // 0x00000010 [4] GPI04 (0)

```



```

286 // 0x00000008 [3]   GPIO3      (0)
287 // 0x00000004 [2]   GPIO2      (0)
288 // 0x00000002 [1]   GPIO1      (0)
289 // 0x00000001 [0]   GPIO0      (0)
290 io_ro_32 irqsummary_proc1_secure[2];
291
292 // (Description copied from array index 0 register IO_BANK0_IRQSUMMARY_PROC1_NONSECURE0
applies similarly to other array indexes)
293 _REG_(IO_BANK0_IRQSUMMARY_PROC1_NONSECURE0_OFFSET) //
IO_BANK0_IRQSUMMARY_PROC1_NONSECURE0
294 // 0x80000000 [31]   GPIO31      (0)
295 // 0x40000000 [30]   GPIO30      (0)
296 // 0x20000000 [29]   GPIO29      (0)
297 // 0x10000000 [28]   GPIO28      (0)
298 // 0x08000000 [27]   GPIO27      (0)
299 // 0x04000000 [26]   GPIO26      (0)
300 // 0x02000000 [25]   GPIO25      (0)
301 // 0x01000000 [24]   GPIO24      (0)
302 // 0x00800000 [23]   GPIO23      (0)
303 // 0x00400000 [22]   GPIO22      (0)
304 // 0x00200000 [21]   GPIO21      (0)
305 // 0x00100000 [20]   GPIO20      (0)
306 // 0x00080000 [19]   GPIO19      (0)
307 // 0x00040000 [18]   GPIO18      (0)
308 // 0x00020000 [17]   GPIO17      (0)
309 // 0x00010000 [16]   GPIO16      (0)
310 // 0x00008000 [15]   GPIO15      (0)
311 // 0x00004000 [14]   GPIO14      (0)
312 // 0x00002000 [13]   GPIO13      (0)
313 // 0x00001000 [12]   GPIO12      (0)
314 // 0x00000800 [11]   GPIO11      (0)
315 // 0x00000400 [10]   GPIO10      (0)
316 // 0x00000200 [9]    GPIO9       (0)
317 // 0x00000100 [8]    GPIO8       (0)
318 // 0x00000080 [7]    GPIO7       (0)
319 // 0x00000040 [6]    GPIO6       (0)
320 // 0x00000020 [5]    GPIO5       (0)
321 // 0x00000010 [4]    GPIO4       (0)
322 // 0x00000008 [3]    GPIO3       (0)
323 // 0x00000004 [2]    GPIO2       (0)
324 // 0x00000002 [1]    GPIO1       (0)
325 // 0x00000001 [0]    GPIO0       (0)
326 io_ro_32 irqsummary_proc1_nonsecure[2];
327
328 // (Description copied from array index 0 register
IO_BANK0_IRQSUMMARY_DORMANT_WAKE_SECURE0 applies similarly to other array indexes)
329 _REG_(IO_BANK0_IRQSUMMARY_DORMANT_WAKE_SECURE0_OFFSET) //
IO_BANK0_IRQSUMMARY_DORMANT_WAKE_SECURE0
330 // 0x80000000 [31]   GPIO31      (0)
331 // 0x40000000 [30]   GPIO30      (0)
332 // 0x20000000 [29]   GPIO29      (0)
333 // 0x10000000 [28]   GPIO28      (0)
334 // 0x08000000 [27]   GPIO27      (0)
335 // 0x04000000 [26]   GPIO26      (0)
336 // 0x02000000 [25]   GPIO25      (0)
337 // 0x01000000 [24]   GPIO24      (0)
338 // 0x00800000 [23]   GPIO23      (0)
339 // 0x00400000 [22]   GPIO22      (0)
340 // 0x00200000 [21]   GPIO21      (0)
341 // 0x00100000 [20]   GPIO20      (0)
342 // 0x00080000 [19]   GPIO19      (0)
343 // 0x00040000 [18]   GPIO18      (0)
344 // 0x00020000 [17]   GPIO17      (0)
345 // 0x00010000 [16]   GPIO16      (0)

```

```

346 // 0x00008000 [15] GPIO15 (0)
347 // 0x00004000 [14] GPIO14 (0)
348 // 0x00002000 [13] GPIO13 (0)
349 // 0x00001000 [12] GPIO12 (0)
350 // 0x0000800 [11] GPIO11 (0)
351 // 0x0000400 [10] GPIO10 (0)
352 // 0x0000200 [9] GPIO9 (0)
353 // 0x0000100 [8] GPIO8 (0)
354 // 0x000080 [7] GPIO7 (0)
355 // 0x000040 [6] GPIO6 (0)
356 // 0x000020 [5] GPIO5 (0)
357 // 0x000010 [4] GPIO4 (0)
358 // 0x00008 [3] GPIO3 (0)
359 // 0x00004 [2] GPIO2 (0)
360 // 0x00002 [1] GPIO1 (0)
361 // 0x00001 [0] GPIO0 (0)
362 io_ro_32 irqsummary_dormant_wake_secure[2];
363
364 // (Description copied from array index 0 register
IO_BANK0_IRQSUMMARY_DORMANT_WAKE_NONSECURE0 applies similarly to other array indexes)
365 _REG(IO_BANK0_IRQSUMMARY_DORMANT_WAKE_NONSECURE0_OFFSET) //
IO_BANK0_IRQSUMMARY_DORMANT_WAKE_NONSECURE0
366 // 0x80000000 [31] GPIO31 (0)
367 // 0x40000000 [30] GPIO30 (0)
368 // 0x20000000 [29] GPIO29 (0)
369 // 0x10000000 [28] GPIO28 (0)
370 // 0x8000000 [27] GPIO27 (0)
371 // 0x4000000 [26] GPIO26 (0)
372 // 0x2000000 [25] GPIO25 (0)
373 // 0x1000000 [24] GPIO24 (0)
374 // 0x800000 [23] GPIO23 (0)
375 // 0x400000 [22] GPIO22 (0)
376 // 0x200000 [21] GPIO21 (0)
377 // 0x100000 [20] GPIO20 (0)
378 // 0x8008000 [19] GPIO19 (0)
379 // 0x0084000 [18] GPIO18 (0)
380 // 0x0020000 [17] GPIO17 (0)
381 // 0x0010000 [16] GPIO16 (0)
382 // 0x0088000 [15] GPIO15 (0)
383 // 0x0040000 [14] GPIO14 (0)
384 // 0x0020000 [13] GPIO13 (0)
385 // 0x0010000 [12] GPIO12 (0)
386 // 0x0008000 [11] GPIO11 (0)
387 // 0x0004000 [10] GPIO10 (0)
388 // 0x0002000 [9] GPIO9 (0)
389 // 0x0001000 [8] GPIO8 (0)
390 // 0x00080 [7] GPIO7 (0)
391 // 0x00040 [6] GPIO6 (0)
392 // 0x00020 [5] GPIO5 (0)
393 // 0x00010 [4] GPIO4 (0)
394 // 0x0008 [3] GPIO3 (0)
395 // 0x0004 [2] GPIO2 (0)
396 // 0x0002 [1] GPIO1 (0)
397 // 0x0001 [0] GPIO0 (0)
398 io_ro_32 irqsummary_dormant_wake_nonsecure[2];
399
400 // (Description copied from array index 0 register IO_BANK0_INTR0 applies similarly to
other array indexes)
401 _REG(IO_BANK0_INTR0_OFFSET) // IO_BANK0_INTR0
402 // Raw Interrupts
403 // 0x80000000 [31] GPIO7_EDGE_HIGH (0)
404 // 0x40000000 [30] GPIO7_EDGE_LOW (0)
405 // 0x20000000 [29] GPIO7_LEVEL_HIGH (0)
406 // 0x10000000 [28] GPIO7_LEVEL_LOW (0)

```

```

407 // 0x08000000 [27] GPIO6_EDGE_HIGH (0)
408 // 0x04000000 [26] GPIO6_EDGE_LOW (0)
409 // 0x02000000 [25] GPIO6_LEVEL_HIGH (0)
410 // 0x01000000 [24] GPIO6_LEVEL_LOW (0)
411 // 0x00800000 [23] GPIO5_EDGE_HIGH (0)
412 // 0x00400000 [22] GPIO5_EDGE_LOW (0)
413 // 0x00200000 [21] GPIO5_LEVEL_HIGH (0)
414 // 0x00100000 [20] GPIO5_LEVEL_LOW (0)
415 // 0x00080000 [19] GPIO4_EDGE_HIGH (0)
416 // 0x00040000 [18] GPIO4_EDGE_LOW (0)
417 // 0x00020000 [17] GPIO4_LEVEL_HIGH (0)
418 // 0x00010000 [16] GPIO4_LEVEL_LOW (0)
419 // 0x00008000 [15] GPIO3_EDGE_HIGH (0)
420 // 0x00004000 [14] GPIO3_EDGE_LOW (0)
421 // 0x00002000 [13] GPIO3_LEVEL_HIGH (0)
422 // 0x00001000 [12] GPIO3_LEVEL_LOW (0)
423 // 0x00000800 [11] GPIO2_EDGE_HIGH (0)
424 // 0x00000400 [10] GPIO2_EDGE_LOW (0)
425 // 0x00000200 [9] GPIO2_LEVEL_HIGH (0)
426 // 0x00000100 [8] GPIO2_LEVEL_LOW (0)
427 // 0x00000080 [7] GPIO1_EDGE_HIGH (0)
428 // 0x00000040 [6] GPIO1_EDGE_LOW (0)
429 // 0x00000020 [5] GPIO1_LEVEL_HIGH (0)
430 // 0x00000010 [4] GPIO1_LEVEL_LOW (0)
431 // 0x00000008 [3] GPIO0_EDGE_HIGH (0)
432 // 0x00000004 [2] GPIO0_EDGE_LOW (0)
433 // 0x00000002 [1] GPIO0_LEVEL_HIGH (0)
434 // 0x00000001 [0] GPIO0_LEVEL_LOW (0)
435 io_rw_32 intr[6];
436
437 union {
438     struct {
439         io_bank0_irq_ctrl_hw_t proc0_irq_ctrl;
440         io_bank0_irq_ctrl_hw_t proc1_irq_ctrl;
441         io_bank0_irq_ctrl_hw_t dormant_wake_irq_ctrl;
442     };
443     io_bank0_irq_ctrl_hw_t irq_ctrl[3];
444 };
445 } io_bank0_hw_t;

```

A similar structure is defined for the pad control registers for IO bank 1. By default, all pads come out of reset ready to use, with input enabled and output disable set to 0. Regardless, `gpio_set_function` in the SDK sets the input enable and clears the output disable to engage the pad's IO buffers and connect internal signals to the outside world. Finally, the desired function select is written to the IO control register (see `GPIO0_CTRL` for an example of an IO control register).

SDK: https://github.com/raspberrypi/pico-sdk/blob/master/src/rp2_common/hardware_gpio/gpio.c Lines 36 - 53

```

36 // Select function for this GPIO, and ensure input/output are enabled at the pad.
37 // This also clears the input/output/irq override bits.
38 void gpio_set_function(uint gpio, gpio_function_t fn) {
39     check_gpio_param(gpio);
40     invalid_params_if(HARDWARE_GPIO, ((uint32_t)fn << IO_BANK0_GPIO0_CTRL_FUNCSEL_LSB) &
~IO_BANK0_GPIO0_CTRL_FUNCSEL_BITS);
41     // Set input enable on, output disable off
42     hw_write_masked(&pads_bank0_hw->io[gpio],
43                     PADS_BANK0_GPIO0_IE_BITS,
44                     PADS_BANK0_GPIO0_IE_BITS | PADS_BANK0_GPIO0_OD_BITS
45 );
46     // Zero all fields apart from fsel; we want this IO to do what the peripheral tells it.
47     // This doesn't affect e.g. pullup/pulldown, as these are in pad controls.
48     io_bank0_hw->io[gpio].ctrl = fn << IO_BANK0_GPIO0_CTRL_FUNCSEL_LSB;
49     // Remove pad isolation now that the correct peripheral is in control of the pad

```

```

50     hw_clear_bits(&pads_bank0_hw->io[gpio], PADS_BANK0_GPI00_ISO_BITS);
51 }

```

9.10.2. Enable a GPIO interrupt

The SDK provides a method of being interrupted when a GPIO pin changes state:

SDK: https://github.com/raspberrypi/pico-sdk/blob/master/src/rp2_common/hardware_gpio/gpio.c Lines 186 - 196

```

186 void gpio_set_irq_enabled(uint gpio, uint32_t events, bool enabled) {
187     // either this call disables the interrupt or callback should already be set.
188     // this protects against enabling the interrupt without callback set
189     assert(!enabled || irq_has_handler(IO_IRQ_BANK0));
190
191     // Separate mask/force/status per-core, so check which core called, and
192     // set the relevant IRQ controls.
193     io_bank0_irq_ctrl_hw_t *irq_ctrl_base = get_core_num() ?
194                                         &io_bank0_hw->proc1_irq_ctrl : &io_bank0_hw-
>proc0_irq_ctrl;
195     _gpio_set_irq_enabled(gpio, events, enabled, irq_ctrl_base);
196 }

```

`gpio_set_irq_enabled` uses a lower level function `_gpio_set_irq_enabled`:

SDK: https://github.com/raspberrypi/pico-sdk/blob/master/src/rp2_common/hardware_gpio/gpio.c Lines 173 - 184

```

173 static void _gpio_set_irq_enabled(uint gpio, uint32_t events, bool enabled,
io_bank0_irq_ctrl_hw_t *irq_ctrl_base) {
174     // Clear stale events which might cause immediate spurious handler entry
175     gpio_acknowledge_irq(gpio, events);
176
177     io_rw_32 *en_reg = &irq_ctrl_base->inte[gpio / 8];
178     events <<= 4 * (gpio % 8);
179
180     if (enabled)
181         hw_set_bits(en_reg, events);
182     else
183         hw_clear_bits(en_reg, events);
184 }

```

The user provides a pointer to a callback function that is called when the GPIO event happens. An example application that uses this system is `hello_gpio_irq`:

Pico Examples: https://github.com/raspberrypi/pico-examples/blob/master/gpio/hello_gpio_irq/hello_gpio_irq.c

```

1 /**
2  * Copyright (c) 2020 Raspberry Pi (Trading) Ltd.
3  *
4  * SPDX-License-Identifier: BSD-3-Clause
5  */
6
7 #include <stdio.h>
8 #include "pico/stdlib.h"
9 #include "hardware/gpio.h"
10
11 #define GPIO_WATCH_PIN 2
12

```

```

13 static char event_str[128];
14
15 void gpio_event_string(char *buf, uint32_t events);
16
17 void gpio_callback(uint gpio, uint32_t events) {
18     // Put the GPIO event(s) that just happened into event_str
19     // so we can print it
20     gpio_event_string(event_str, events);
21     printf("GPIO %d %s\n", gpio, event_str);
22 }
23
24 int main() {
25     stdio_init_all();
26
27     printf("Hello GPIO IRQ\n");
28     gpio_init(GPIO_WATCH_PIN);
29     gpio_set_irq_enabled_with_callback(GPIO_WATCH_PIN, GPIO_IRQ_EDGE_RISE |
    GPIO_IRQ_EDGE_FALL, true, &gpio_callback);
30
31     // Wait forever
32     while (1);
33 }
34
35
36 static const char *gpio_irq_str[] = {
37     "LEVEL_LOW", // 0x1
38     "LEVEL_HIGH", // 0x2
39     "EDGE_FALL", // 0x4
40     "EDGE_RISE" // 0x8
41 };
42
43 void gpio_event_string(char *buf, uint32_t events) {
44     for (uint i = 0; i < 4; i++) {
45         uint mask = (1 << i);
46         if (events & mask) {
47             // Copy this event string into the user string
48             const char *event_str = gpio_irq_str[i];
49             while (*event_str != '\0') {
50                 *buf++ = *event_str++;
51             }
52             events &= ~mask;
53
54             // If more events add ", "
55             if (events) {
56                 *buf++ = ',';
57                 *buf++ = ' ';
58             }
59         }
60     }
61     *buf++ = '\0';
62 }

```

9.11. List of registers

9.11.1. IO - User Bank

The User Bank IO registers start at a base address of `0x40028000` (defined as `IO_BANK0_BASE` in SDK).

Table 649. List of IO_BANK0 registers

| Offset | Name | Info |
|--------|---------------|------|
| 0x000 | GPIO0_STATUS | |
| 0x004 | GPIO0_CTRL | |
| 0x008 | GPIO1_STATUS | |
| 0x00c | GPIO1_CTRL | |
| 0x010 | GPIO2_STATUS | |
| 0x014 | GPIO2_CTRL | |
| 0x018 | GPIO3_STATUS | |
| 0x01c | GPIO3_CTRL | |
| 0x020 | GPIO4_STATUS | |
| 0x024 | GPIO4_CTRL | |
| 0x028 | GPIO5_STATUS | |
| 0x02c | GPIO5_CTRL | |
| 0x030 | GPIO6_STATUS | |
| 0x034 | GPIO6_CTRL | |
| 0x038 | GPIO7_STATUS | |
| 0x03c | GPIO7_CTRL | |
| 0x040 | GPIO8_STATUS | |
| 0x044 | GPIO8_CTRL | |
| 0x048 | GPIO9_STATUS | |
| 0x04c | GPIO9_CTRL | |
| 0x050 | GPIO10_STATUS | |
| 0x054 | GPIO10_CTRL | |
| 0x058 | GPIO11_STATUS | |
| 0x05c | GPIO11_CTRL | |
| 0x060 | GPIO12_STATUS | |
| 0x064 | GPIO12_CTRL | |
| 0x068 | GPIO13_STATUS | |
| 0x06c | GPIO13_CTRL | |
| 0x070 | GPIO14_STATUS | |
| 0x074 | GPIO14_CTRL | |
| 0x078 | GPIO15_STATUS | |
| 0x07c | GPIO15_CTRL | |
| 0x080 | GPIO16_STATUS | |
| 0x084 | GPIO16_CTRL | |
| 0x088 | GPIO17_STATUS | |
| 0x08c | GPIO17_CTRL | |

| Offset | Name | Info |
|--------|-------------------------------|------|
| 0x090 | GPIO18_STATUS | |
| 0x094 | GPIO18_CTRL | |
| 0x098 | GPIO19_STATUS | |
| 0x09c | GPIO19_CTRL | |
| 0x0a0 | GPIO20_STATUS | |
| 0x0a4 | GPIO20_CTRL | |
| 0x0a8 | GPIO21_STATUS | |
| 0x0ac | GPIO21_CTRL | |
| 0x0b0 | GPIO22_STATUS | |
| 0x0b4 | GPIO22_CTRL | |
| 0x0b8 | GPIO23_STATUS | |
| 0x0bc | GPIO23_CTRL | |
| 0x0c0 | GPIO24_STATUS | |
| 0x0c4 | GPIO24_CTRL | |
| 0x0c8 | GPIO25_STATUS | |
| 0x0cc | GPIO25_CTRL | |
| 0x0d0 | GPIO26_STATUS | |
| 0x0d4 | GPIO26_CTRL | |
| 0x0d8 | GPIO27_STATUS | |
| 0x0dc | GPIO27_CTRL | |
| 0x0e0 | GPIO28_STATUS | |
| 0x0e4 | GPIO28_CTRL | |
| 0x0e8 | GPIO29_STATUS | |
| 0x0ec | GPIO29_CTRL | |
| 0x0f0 | GPIO30_STATUS | |
| 0x0f4 | GPIO30_CTRL | |
| 0x0f8 | GPIO31_STATUS | |
| 0x0fc | GPIO31_CTRL | |
| 0x100 | GPIO32_STATUS | |
| 0x104 | GPIO32_CTRL | |
| 0x108 | GPIO33_STATUS | |
| 0x10c | GPIO33_CTRL | |
| 0x110 | GPIO34_STATUS | |
| 0x114 | GPIO34_CTRL | |
| 0x118 | GPIO35_STATUS | |
| 0x11c | GPIO35_CTRL | |

| Offset | Name | Info |
|--------|--|------|
| 0x120 | GPIO36_STATUS | |
| 0x124 | GPIO36_CTRL | |
| 0x128 | GPIO37_STATUS | |
| 0x12c | GPIO37_CTRL | |
| 0x130 | GPIO38_STATUS | |
| 0x134 | GPIO38_CTRL | |
| 0x138 | GPIO39_STATUS | |
| 0x13c | GPIO39_CTRL | |
| 0x140 | GPIO40_STATUS | |
| 0x144 | GPIO40_CTRL | |
| 0x148 | GPIO41_STATUS | |
| 0x14c | GPIO41_CTRL | |
| 0x150 | GPIO42_STATUS | |
| 0x154 | GPIO42_CTRL | |
| 0x158 | GPIO43_STATUS | |
| 0x15c | GPIO43_CTRL | |
| 0x160 | GPIO44_STATUS | |
| 0x164 | GPIO44_CTRL | |
| 0x168 | GPIO45_STATUS | |
| 0x16c | GPIO45_CTRL | |
| 0x170 | GPIO46_STATUS | |
| 0x174 | GPIO46_CTRL | |
| 0x178 | GPIO47_STATUS | |
| 0x17c | GPIO47_CTRL | |
| 0x200 | IRQSUMMARY_PROC0_SECURE0 | |
| 0x204 | IRQSUMMARY_PROC0_SECURE1 | |
| 0x208 | IRQSUMMARY_PROC0_NONSECURE0 | |
| 0x20c | IRQSUMMARY_PROC0_NONSECURE1 | |
| 0x210 | IRQSUMMARY_PROC1_SECURE0 | |
| 0x214 | IRQSUMMARY_PROC1_SECURE1 | |
| 0x218 | IRQSUMMARY_PROC1_NONSECURE0 | |
| 0x21c | IRQSUMMARY_PROC1_NONSECURE1 | |
| 0x220 | IRQSUMMARY_COMA_WAKE_SECURE0 | |
| 0x224 | IRQSUMMARY_COMA_WAKE_SECURE1 | |

| Offset | Name | Info |
|--------|-------------------------------------|--|
| 0x228 | IRQSUMMARY_COMA_WAKE_NONSE CURE0 | |
| 0x22c | IRQSUMMARY_COMA_WAKE_NONSE CURE1 | |
| 0x230 | INTR0 | Raw Interrupts |
| 0x234 | INTR1 | Raw Interrupts |
| 0x238 | INTR2 | Raw Interrupts |
| 0x23c | INTR3 | Raw Interrupts |
| 0x240 | INTR4 | Raw Interrupts |
| 0x244 | INTR5 | Raw Interrupts |
| 0x248 | PROC0_INTE0 | Interrupt Enable for proc0 |
| 0x24c | PROC0_INTE1 | Interrupt Enable for proc0 |
| 0x250 | PROC0_INTE2 | Interrupt Enable for proc0 |
| 0x254 | PROC0_INTE3 | Interrupt Enable for proc0 |
| 0x258 | PROC0_INTE4 | Interrupt Enable for proc0 |
| 0x25c | PROC0_INTE5 | Interrupt Enable for proc0 |
| 0x260 | PROC0_INTF0 | Interrupt Force for proc0 |
| 0x264 | PROC0_INTF1 | Interrupt Force for proc0 |
| 0x268 | PROC0_INTF2 | Interrupt Force for proc0 |
| 0x26c | PROC0_INTF3 | Interrupt Force for proc0 |
| 0x270 | PROC0_INTF4 | Interrupt Force for proc0 |
| 0x274 | PROC0_INTF5 | Interrupt Force for proc0 |
| 0x278 | PROC0_INTS0 | Interrupt status after masking & forcing for proc0 |
| 0x27c | PROC0_INTS1 | Interrupt status after masking & forcing for proc0 |
| 0x280 | PROC0_INTS2 | Interrupt status after masking & forcing for proc0 |
| 0x284 | PROC0_INTS3 | Interrupt status after masking & forcing for proc0 |
| 0x288 | PROC0_INTS4 | Interrupt status after masking & forcing for proc0 |
| 0x28c | PROC0_INTS5 | Interrupt status after masking & forcing for proc0 |
| 0x290 | PROC1_INTE0 | Interrupt Enable for proc1 |
| 0x294 | PROC1_INTE1 | Interrupt Enable for proc1 |
| 0x298 | PROC1_INTE2 | Interrupt Enable for proc1 |
| 0x29c | PROC1_INTE3 | Interrupt Enable for proc1 |
| 0x2a0 | PROC1_INTE4 | Interrupt Enable for proc1 |
| 0x2a4 | PROC1_INTE5 | Interrupt Enable for proc1 |
| 0x2a8 | PROC1_INTF0 | Interrupt Force for proc1 |
| 0x2ac | PROC1_INTF1 | Interrupt Force for proc1 |

| Offset | Name | Info |
|--------|--------------------|---|
| 0x2b0 | PROC1_INTF2 | Interrupt Force for proc1 |
| 0x2b4 | PROC1_INTF3 | Interrupt Force for proc1 |
| 0x2b8 | PROC1_INTF4 | Interrupt Force for proc1 |
| 0x2bc | PROC1_INTF5 | Interrupt Force for proc1 |
| 0x2c0 | PROC1_INTS0 | Interrupt status after masking & forcing for proc1 |
| 0x2c4 | PROC1_INTS1 | Interrupt status after masking & forcing for proc1 |
| 0x2c8 | PROC1_INTS2 | Interrupt status after masking & forcing for proc1 |
| 0x2cc | PROC1_INTS3 | Interrupt status after masking & forcing for proc1 |
| 0x2d0 | PROC1_INTS4 | Interrupt status after masking & forcing for proc1 |
| 0x2d4 | PROC1_INTS5 | Interrupt status after masking & forcing for proc1 |
| 0x2d8 | DORMANT_WAKE_INTE0 | Interrupt Enable for dormant_wake |
| 0x2dc | DORMANT_WAKE_INTE1 | Interrupt Enable for dormant_wake |
| 0x2e0 | DORMANT_WAKE_INTE2 | Interrupt Enable for dormant_wake |
| 0x2e4 | DORMANT_WAKE_INTE3 | Interrupt Enable for dormant_wake |
| 0x2e8 | DORMANT_WAKE_INTE4 | Interrupt Enable for dormant_wake |
| 0x2ec | DORMANT_WAKE_INTE5 | Interrupt Enable for dormant_wake |
| 0x2f0 | DORMANT_WAKE_INTF0 | Interrupt Force for dormant_wake |
| 0x2f4 | DORMANT_WAKE_INTF1 | Interrupt Force for dormant_wake |
| 0x2f8 | DORMANT_WAKE_INTF2 | Interrupt Force for dormant_wake |
| 0x2fc | DORMANT_WAKE_INTF3 | Interrupt Force for dormant_wake |
| 0x300 | DORMANT_WAKE_INTF4 | Interrupt Force for dormant_wake |
| 0x304 | DORMANT_WAKE_INTF5 | Interrupt Force for dormant_wake |
| 0x308 | DORMANT_WAKE_INTS0 | Interrupt status after masking & forcing for dormant_wake |
| 0x30c | DORMANT_WAKE_INTS1 | Interrupt status after masking & forcing for dormant_wake |
| 0x310 | DORMANT_WAKE_INTS2 | Interrupt status after masking & forcing for dormant_wake |
| 0x314 | DORMANT_WAKE_INTS3 | Interrupt status after masking & forcing for dormant_wake |
| 0x318 | DORMANT_WAKE_INTS4 | Interrupt status after masking & forcing for dormant_wake |
| 0x31c | DORMANT_WAKE_INTS5 | Interrupt status after masking & forcing for dormant_wake |

IO_BANK0: GPIO0_STATUS Register

Offset: 0x000

Table 650.
GPIO0_STATUS
Register

| Bits | Description | Type | Reset |
|-------|---|------|-------|
| 31:27 | Reserved. | - | - |
| 26 | IRQTOPROC : interrupt to processors, after override is applied | RO | 0x0 |
| 25:18 | Reserved. | - | - |
| 17 | INFROMPAD : input signal from pad, before filtering and override are applied | RO | 0x0 |

| Bits | Description | Type | Reset |
|-------|---|------|-------|
| 16:14 | Reserved. | - | - |
| 13 | OETOPAD : output enable to pad after register override is applied | RO | 0x0 |
| 12:10 | Reserved. | - | - |
| 9 | OUTTOPAD : output signal to pad after register override is applied | RO | 0x0 |
| 8:0 | Reserved. | - | - |

IO_BANK0: GPIO0_CTRL Register

Offset: 0x004

Table 651.
GPIO0_CTRL Register

| Bits | Description | Type | Reset |
|-------|---|------|-------|
| 31:30 | Reserved. | - | - |
| 29:28 | IRQOVER | RW | 0x0 |
| | Enumerated values: | | |
| | 0x0 → NORMAL: don't invert the interrupt | | |
| | 0x1 → INVERT: invert the interrupt | | |
| | 0x2 → LOW: drive interrupt low | | |
| | 0x3 → HIGH: drive interrupt high | | |
| 27:18 | Reserved. | - | - |
| 17:16 | INOVER | RW | 0x0 |
| | Enumerated values: | | |
| | 0x0 → NORMAL: don't invert the peri input | | |
| | 0x1 → INVERT: invert the peri input | | |
| | 0x2 → LOW: drive peri input low | | |
| | 0x3 → HIGH: drive peri input high | | |
| 15:14 | OEOVER | RW | 0x0 |
| | Enumerated values: | | |
| | 0x0 → NORMAL: drive output enable from peripheral signal selected by funcsel | | |
| | 0x1 → INVERT: drive output enable from inverse of peripheral signal selected by funcsel | | |
| | 0x2 → DISABLE: disable output | | |
| | 0x3 → ENABLE: enable output | | |
| 13:12 | OUTOVER | RW | 0x0 |
| | Enumerated values: | | |
| | 0x0 → NORMAL: drive output from peripheral signal selected by funcsel | | |
| | 0x1 → INVERT: drive output from inverse of peripheral signal selected by funcsel | | |

| Bits | Description | Type | Reset |
|------|--|------|-------|
| | 0x2 → LOW: drive output low | | |
| | 0x3 → HIGH: drive output high | | |
| 11:5 | Reserved. | - | - |
| 4:0 | FUNCSEL : 0-31 → selects pin function according to the gpio table 31 == NULL | RW | 0x1f |
| | Enumerated values: | | |
| | 0x00 → JTAG_TCK | | |
| | 0x01 → SPI0_RX | | |
| | 0x02 → UART0_TX | | |
| | 0x03 → I2C0_SDA | | |
| | 0x04 → PWM_A_0 | | |
| | 0x05 → SIO_0 | | |
| | 0x06 → PIO0_0 | | |
| | 0x07 → PIO1_0 | | |
| | 0x08 → PIO2_0 | | |
| | 0x09 → XIP_SS_N_1 | | |
| | 0x0a → USB_MUXING_OVERCURRETECT | | |
| | 0x1f → NULL | | |

IO_BANK0: GPIO1_STATUS Register

Offset: 0x008

Table 652.
GPIO1_STATUS
Register

| Bits | Description | Type | Reset |
|-------|---|------|-------|
| 31:27 | Reserved. | - | - |
| 26 | IRQTOPROC : interrupt to processors, after override is applied | RO | 0x0 |
| 25:18 | Reserved. | - | - |
| 17 | INFROMPAD : input signal from pad, before filtering and override are applied | RO | 0x0 |
| 16:14 | Reserved. | - | - |
| 13 | OETOPAD : output enable to pad after register override is applied | RO | 0x0 |
| 12:10 | Reserved. | - | - |
| 9 | OUTTOPAD : output signal to pad after register override is applied | RO | 0x0 |
| 8:0 | Reserved. | - | - |

IO_BANK0: GPIO1_CTRL Register

Offset: 0x00c

Table 653.
GPIO1_CTRL Register

| Bits | Description | Type | Reset |
|-------|-------------|------|-------|
| 31:30 | Reserved. | - | - |

| Bits | Description | Type | Reset |
|-------|---|------|-------|
| 29:28 | IRQOVER | RW | 0x0 |
| | Enumerated values: | | |
| | 0x0 → NORMAL: don't invert the interrupt | | |
| | 0x1 → INVERT: invert the interrupt | | |
| | 0x2 → LOW: drive interrupt low | | |
| | 0x3 → HIGH: drive interrupt high | | |
| 27:18 | Reserved. | - | - |
| 17:16 | INOVER | RW | 0x0 |
| | Enumerated values: | | |
| | 0x0 → NORMAL: don't invert the peri input | | |
| | 0x1 → INVERT: invert the peri input | | |
| | 0x2 → LOW: drive peri input low | | |
| | 0x3 → HIGH: drive peri input high | | |
| 15:14 | OEOVER | RW | 0x0 |
| | Enumerated values: | | |
| | 0x0 → NORMAL: drive output enable from peripheral signal selected by funcsel | | |
| | 0x1 → INVERT: drive output enable from inverse of peripheral signal selected by funcsel | | |
| | 0x2 → DISABLE: disable output | | |
| | 0x3 → ENABLE: enable output | | |
| 13:12 | OUTOVER | RW | 0x0 |
| | Enumerated values: | | |
| | 0x0 → NORMAL: drive output from peripheral signal selected by funcsel | | |
| | 0x1 → INVERT: drive output from inverse of peripheral signal selected by funcsel | | |
| | 0x2 → LOW: drive output low | | |
| | 0x3 → HIGH: drive output high | | |
| 11:5 | Reserved. | - | - |
| 4:0 | FUNCSEL : 0-31 → selects pin function according to the gpio table 31 == NULL | RW | 0x1f |
| | Enumerated values: | | |
| | 0x00 → JTAG_TMS | | |
| | 0x01 → SPI0_SS_N | | |
| | 0x02 → UART0_RX | | |
| | 0x03 → I2C0_SCL | | |
| | 0x04 → PWM_B_0 | | |

| Bits | Description | Type | Reset |
|------|-------------------------------|------|-------|
| | 0x05 → SIO_1 | | |
| | 0x06 → PIO0_1 | | |
| | 0x07 → PIO1_1 | | |
| | 0x08 → PIO2_1 | | |
| | 0x09 → CORESIGHT_TRACECLK | | |
| | 0x0a → USB_MUXING_VBUS_DETECT | | |
| | 0x1f → NULL | | |

IO_BANK0: GPIO2_STATUS Register

Offset: 0x010

Table 654.
GPIO2_STATUS
Register

| Bits | Description | Type | Reset |
|-------|---|------|-------|
| 31:27 | Reserved. | - | - |
| 26 | IRQTOPROC : interrupt to processors, after override is applied | RO | 0x0 |
| 25:18 | Reserved. | - | - |
| 17 | INFROMPAD : input signal from pad, before filtering and override are applied | RO | 0x0 |
| 16:14 | Reserved. | - | - |
| 13 | OETOPAD : output enable to pad after register override is applied | RO | 0x0 |
| 12:10 | Reserved. | - | - |
| 9 | OUTTOPAD : output signal to pad after register override is applied | RO | 0x0 |
| 8:0 | Reserved. | - | - |

IO_BANK0: GPIO2_CTRL Register

Offset: 0x014

Table 655.
GPIO2_CTRL Register

| Bits | Description | Type | Reset |
|-------|---|------|-------|
| 31:30 | Reserved. | - | - |
| 29:28 | IRQOVER | RW | 0x0 |
| | Enumerated values: | | |
| | 0x0 → NORMAL: don't invert the interrupt | | |
| | 0x1 → INVERT: invert the interrupt | | |
| | 0x2 → LOW: drive interrupt low | | |
| | 0x3 → HIGH: drive interrupt high | | |
| 27:18 | Reserved. | - | - |
| 17:16 | INOVER | RW | 0x0 |
| | Enumerated values: | | |
| | 0x0 → NORMAL: don't invert the peri input | | |
| | 0x1 → INVERT: invert the peri input | | |

| Bits | Description | Type | Reset |
|-------|---|------|-------|
| | 0x2 → LOW: drive peri input low | | |
| | 0x3 → HIGH: drive peri input high | | |
| 15:14 | OEOVER | RW | 0x0 |
| | Enumerated values: | | |
| | 0x0 → NORMAL: drive output enable from peripheral signal selected by funcsel | | |
| | 0x1 → INVERT: drive output enable from inverse of peripheral signal selected by funcsel | | |
| | 0x2 → DISABLE: disable output | | |
| | 0x3 → ENABLE: enable output | | |
| 13:12 | OUTOVER | RW | 0x0 |
| | Enumerated values: | | |
| | 0x0 → NORMAL: drive output from peripheral signal selected by funcsel | | |
| | 0x1 → INVERT: drive output from inverse of peripheral signal selected by funcsel | | |
| | 0x2 → LOW: drive output low | | |
| | 0x3 → HIGH: drive output high | | |
| 11:5 | Reserved. | - | - |
| 4:0 | FUNCSEL : 0-31 → selects pin function according to the gpio table 31 == NULL | RW | 0x1f |
| | Enumerated values: | | |
| | 0x00 → JTAG_TDI | | |
| | 0x01 → SPI0_SCLK | | |
| | 0x02 → UART0_CTS | | |
| | 0x03 → I2C1_SDA | | |
| | 0x04 → PWM_A_1 | | |
| | 0x05 → SIO_2 | | |
| | 0x06 → PIO0_2 | | |
| | 0x07 → PIO1_2 | | |
| | 0x08 → PIO2_2 | | |
| | 0x09 → CORESIGHT_TRACEDATA_0 | | |
| | 0x0a → USB_MUXING_VBUS_EN | | |
| | 0x0b → UART0_TX | | |
| | 0x1f → NULL | | |

IO_BANK0: GPIO3_STATUS Register

Offset: 0x018

Table 656.
GPIO3_STATUS
Register

| Bits | Description | Type | Reset |
|-------|---|------|-------|
| 31:27 | Reserved. | - | - |
| 26 | IRQTOPROC : interrupt to processors, after override is applied | RO | 0x0 |
| 25:18 | Reserved. | - | - |
| 17 | INFROMPAD : input signal from pad, before filtering and override are applied | RO | 0x0 |
| 16:14 | Reserved. | - | - |
| 13 | OETOPAD : output enable to pad after register override is applied | RO | 0x0 |
| 12:10 | Reserved. | - | - |
| 9 | OUTTOPAD : output signal to pad after register override is applied | RO | 0x0 |
| 8:0 | Reserved. | - | - |

IO_BANK0: GPIO3_CTRL Register

Offset: 0x01c

Table 657.
GPIO3_CTRL Register

| Bits | Description | Type | Reset |
|-------|---|------|-------|
| 31:30 | Reserved. | - | - |
| 29:28 | IRQOVER | RW | 0x0 |
| | Enumerated values: | | |
| | 0x0 → NORMAL: don't invert the interrupt | | |
| | 0x1 → INVERT: invert the interrupt | | |
| | 0x2 → LOW: drive interrupt low | | |
| | 0x3 → HIGH: drive interrupt high | | |
| 27:18 | Reserved. | - | - |
| 17:16 | INOVER | RW | 0x0 |
| | Enumerated values: | | |
| | 0x0 → NORMAL: don't invert the peri input | | |
| | 0x1 → INVERT: invert the peri input | | |
| | 0x2 → LOW: drive peri input low | | |
| | 0x3 → HIGH: drive peri input high | | |
| 15:14 | OEOVER | RW | 0x0 |
| | Enumerated values: | | |
| | 0x0 → NORMAL: drive output enable from peripheral signal selected by funcsel | | |
| | 0x1 → INVERT: drive output enable from inverse of peripheral signal selected by funcsel | | |
| | 0x2 → DISABLE: disable output | | |
| | 0x3 → ENABLE: enable output | | |
| 13:12 | OUTOVER | RW | 0x0 |

| Bits | Description | Type | Reset |
|------|--|------|-------|
| | Enumerated values: | | |
| | 0x0 → NORMAL: drive output from peripheral signal selected by funcsel | | |
| | 0x1 → INVERT: drive output from inverse of peripheral signal selected by funcsel | | |
| | 0x2 → LOW: drive output low | | |
| | 0x3 → HIGH: drive output high | | |
| 11:5 | Reserved. | - | - |
| 4:0 | FUNCSEL : 0-31 → selects pin function according to the gpio table 31 == NULL | RW | 0x1f |
| | Enumerated values: | | |
| | 0x00 → JTAG_TDO | | |
| | 0x01 → SPI0_TX | | |
| | 0x02 → UART0_RTS | | |
| | 0x03 → I2C1_SCL | | |
| | 0x04 → PWM_B_1 | | |
| | 0x05 → SIO_3 | | |
| | 0x06 → PIO0_3 | | |
| | 0x07 → PIO1_3 | | |
| | 0x08 → PIO2_3 | | |
| | 0x09 → CORESIGHT_TRACEDATA_1 | | |
| | 0x0a → USB_MUXING_OVERCURR_DETECT | | |
| | 0x0b → UART0_RX | | |
| | 0x1f → NULL | | |

IO_BANK0: GPIO4_STATUS Register

Offset: 0x020

Table 658.
GPIO4_STATUS
Register

| Bits | Description | Type | Reset |
|-------|---|------|-------|
| 31:27 | Reserved. | - | - |
| 26 | IRQTOPROC : interrupt to processors, after override is applied | RO | 0x0 |
| 25:18 | Reserved. | - | - |
| 17 | INFROMPAD : input signal from pad, before filtering and override are applied | RO | 0x0 |
| 16:14 | Reserved. | - | - |
| 13 | OETOPAD : output enable to pad after register override is applied | RO | 0x0 |
| 12:10 | Reserved. | - | - |
| 9 | OUTTOPAD : output signal to pad after register override is applied | RO | 0x0 |
| 8:0 | Reserved. | - | - |

IO_BANK0: GPIO4_CTRL Register

Offset: 0x024

Table 659.
GPIO4_CTRL Register

| Bits | Description | Type | Reset |
|-------|---|------|-------|
| 31:30 | Reserved. | - | - |
| 29:28 | IRQOVER | RW | 0x0 |
| | Enumerated values: | | |
| | 0x0 → NORMAL: don't invert the interrupt | | |
| | 0x1 → INVERT: invert the interrupt | | |
| | 0x2 → LOW: drive interrupt low | | |
| | 0x3 → HIGH: drive interrupt high | | |
| 27:18 | Reserved. | - | - |
| 17:16 | INOVER | RW | 0x0 |
| | Enumerated values: | | |
| | 0x0 → NORMAL: don't invert the peri input | | |
| | 0x1 → INVERT: invert the peri input | | |
| | 0x2 → LOW: drive peri input low | | |
| | 0x3 → HIGH: drive peri input high | | |
| 15:14 | OEOVER | RW | 0x0 |
| | Enumerated values: | | |
| | 0x0 → NORMAL: drive output enable from peripheral signal selected by funcsel | | |
| | 0x1 → INVERT: drive output enable from inverse of peripheral signal selected by funcsel | | |
| | 0x2 → DISABLE: disable output | | |
| | 0x3 → ENABLE: enable output | | |
| 13:12 | OUTOVER | RW | 0x0 |
| | Enumerated values: | | |
| | 0x0 → NORMAL: drive output from peripheral signal selected by funcsel | | |
| | 0x1 → INVERT: drive output from inverse of peripheral signal selected by funcsel | | |
| | 0x2 → LOW: drive output low | | |
| | 0x3 → HIGH: drive output high | | |
| 11:5 | Reserved. | - | - |
| 4:0 | FUNCSEL : 0-31 → selects pin function according to the gpio table 31 == NULL | RW | 0x1f |
| | Enumerated values: | | |
| | 0x01 → SPI0_RX | | |
| | 0x02 → UART1_TX | | |

| Bits | Description | Type | Reset |
|------|-------------------------------|------|-------|
| | 0x03 → I2C0_SDA | | |
| | 0x04 → PWM_A_2 | | |
| | 0x05 → SIO_4 | | |
| | 0x06 → PIO0_4 | | |
| | 0x07 → PIO1_4 | | |
| | 0x08 → PIO2_4 | | |
| | 0x09 → CORESIGHT_TRACEDATA_2 | | |
| | 0x0a → USB_MUXING_VBUS_DETECT | | |
| | 0x1f → NULL | | |

IO_BANK0: GPIO5_STATUS Register

Offset: 0x028

Table 660.
GPIO5_STATUS
Register

| Bits | Description | Type | Reset |
|-------|---|------|-------|
| 31:27 | Reserved. | - | - |
| 26 | IRQTOPROC : interrupt to processors, after override is applied | RO | 0x0 |
| 25:18 | Reserved. | - | - |
| 17 | INFROMPAD : input signal from pad, before filtering and override are applied | RO | 0x0 |
| 16:14 | Reserved. | - | - |
| 13 | OETOPAD : output enable to pad after register override is applied | RO | 0x0 |
| 12:10 | Reserved. | - | - |
| 9 | OUTTOPAD : output signal to pad after register override is applied | RO | 0x0 |
| 8:0 | Reserved. | - | - |

IO_BANK0: GPIO5_CTRL Register

Offset: 0x02c

Table 661.
GPIO5_CTRL Register

| Bits | Description | Type | Reset |
|-------|--|------|-------|
| 31:30 | Reserved. | - | - |
| 29:28 | IRQOVER | RW | 0x0 |
| | Enumerated values: | | |
| | 0x0 → NORMAL: don't invert the interrupt | | |
| | 0x1 → INVERT: invert the interrupt | | |
| | 0x2 → LOW: drive interrupt low | | |
| | 0x3 → HIGH: drive interrupt high | | |
| 27:18 | Reserved. | - | - |
| 17:16 | INOVER | RW | 0x0 |
| | Enumerated values: | | |

| Bits | Description | Type | Reset |
|-------|---|------|-------|
| | 0x0 → NORMAL: don't invert the peri input | | |
| | 0x1 → INVERT: invert the peri input | | |
| | 0x2 → LOW: drive peri input low | | |
| | 0x3 → HIGH: drive peri input high | | |
| 15:14 | OEORDER | RW | 0x0 |
| | Enumerated values: | | |
| | 0x0 → NORMAL: drive output enable from peripheral signal selected by funcsel | | |
| | 0x1 → INVERT: drive output enable from inverse of peripheral signal selected by funcsel | | |
| | 0x2 → DISABLE: disable output | | |
| | 0x3 → ENABLE: enable output | | |
| 13:12 | OUTORDER | RW | 0x0 |
| | Enumerated values: | | |
| | 0x0 → NORMAL: drive output from peripheral signal selected by funcsel | | |
| | 0x1 → INVERT: drive output from inverse of peripheral signal selected by funcsel | | |
| | 0x2 → LOW: drive output low | | |
| | 0x3 → HIGH: drive output high | | |
| 11:5 | Reserved. | - | - |
| 4:0 | FUNCSEL : 0-31 → selects pin function according to the gpio table 31 == NULL | RW | 0x1f |
| | Enumerated values: | | |
| | 0x01 → SPI0_SS_N | | |
| | 0x02 → UART1_RX | | |
| | 0x03 → I2C0_SCL | | |
| | 0x04 → PWM_B_2 | | |
| | 0x05 → SIO_5 | | |
| | 0x06 → PIO0_5 | | |
| | 0x07 → PIO1_5 | | |
| | 0x08 → PIO2_5 | | |
| | 0x09 → CORESIGHT_TRACEDATA_3 | | |
| | 0x0a → USB_MUXING_VBUS_EN | | |
| | 0x1f → NULL | | |

IO_BANK0: GPIO6_STATUS Register

Offset: 0x030

Table 662.
GPIO6_STATUS
Register

| Bits | Description | Type | Reset |
|-------|---|------|-------|
| 31:27 | Reserved. | - | - |
| 26 | IRQTOPROC : interrupt to processors, after override is applied | RO | 0x0 |
| 25:18 | Reserved. | - | - |
| 17 | INFROMPAD : input signal from pad, before filtering and override are applied | RO | 0x0 |
| 16:14 | Reserved. | - | - |
| 13 | OETOPAD : output enable to pad after register override is applied | RO | 0x0 |
| 12:10 | Reserved. | - | - |
| 9 | OUTTOPAD : output signal to pad after register override is applied | RO | 0x0 |
| 8:0 | Reserved. | - | - |

IO_BANK0: GPIO6_CTRL Register

Offset: 0x034

Table 663.
GPIO6_CTRL Register

| Bits | Description | Type | Reset |
|-------|---|------|-------|
| 31:30 | Reserved. | - | - |
| 29:28 | IRQOVER | RW | 0x0 |
| | Enumerated values: | | |
| | 0x0 → NORMAL: don't invert the interrupt | | |
| | 0x1 → INVERT: invert the interrupt | | |
| | 0x2 → LOW: drive interrupt low | | |
| | 0x3 → HIGH: drive interrupt high | | |
| 27:18 | Reserved. | - | - |
| 17:16 | INOVER | RW | 0x0 |
| | Enumerated values: | | |
| | 0x0 → NORMAL: don't invert the peri input | | |
| | 0x1 → INVERT: invert the peri input | | |
| | 0x2 → LOW: drive peri input low | | |
| | 0x3 → HIGH: drive peri input high | | |
| 15:14 | OEOVER | RW | 0x0 |
| | Enumerated values: | | |
| | 0x0 → NORMAL: drive output enable from peripheral signal selected by funcsel | | |
| | 0x1 → INVERT: drive output enable from inverse of peripheral signal selected by funcsel | | |
| | 0x2 → DISABLE: disable output | | |
| | 0x3 → ENABLE: enable output | | |
| 13:12 | OUTOVER | RW | 0x0 |

| Bits | Description | Type | Reset |
|------|--|------|-------|
| | Enumerated values: | | |
| | 0x0 → NORMAL: drive output from peripheral signal selected by funcsel | | |
| | 0x1 → INVERT: drive output from inverse of peripheral signal selected by funcsel | | |
| | 0x2 → LOW: drive output low | | |
| | 0x3 → HIGH: drive output high | | |
| 11:5 | Reserved. | - | - |
| 4:0 | FUNCSEL : 0-31 → selects pin function according to the gpio table 31 == NULL | RW | 0x1f |
| | Enumerated values: | | |
| | 0x01 → SPI0_SCLK | | |
| | 0x02 → UART1_CTS | | |
| | 0x03 → I2C1_SDA | | |
| | 0x04 → PWM_A_3 | | |
| | 0x05 → SIO_6 | | |
| | 0x06 → PIO0_6 | | |
| | 0x07 → PIO1_6 | | |
| | 0x08 → PIO2_6 | | |
| | 0x0a → USB_MUXING_OVERCURRETECT | | |
| | 0x0b → UART1_TX | | |
| | 0x1f → NULL | | |

IO_BANK0: GPIO7_STATUS Register

Offset: 0x038

Table 664.
GPIO7_STATUS
Register

| Bits | Description | Type | Reset |
|-------|---|------|-------|
| 31:27 | Reserved. | - | - |
| 26 | IRQTOPROC : interrupt to processors, after override is applied | RO | 0x0 |
| 25:18 | Reserved. | - | - |
| 17 | INFROMPAD : input signal from pad, before filtering and override are applied | RO | 0x0 |
| 16:14 | Reserved. | - | - |
| 13 | OETOPAD : output enable to pad after register override is applied | RO | 0x0 |
| 12:10 | Reserved. | - | - |
| 9 | OUTTOPAD : output signal to pad after register override is applied | RO | 0x0 |
| 8:0 | Reserved. | - | - |

IO_BANK0: GPIO7_CTRL Register

Offset: 0x03c

Table 665.
GPIO7_CTRL Register

| Bits | Description | Type | Reset |
|-------|---|------|-------|
| 31:30 | Reserved. | - | - |
| 29:28 | IRQOVER | RW | 0x0 |
| | Enumerated values: | | |
| | 0x0 → NORMAL: don't invert the interrupt | | |
| | 0x1 → INVERT: invert the interrupt | | |
| | 0x2 → LOW: drive interrupt low | | |
| | 0x3 → HIGH: drive interrupt high | | |
| 27:18 | Reserved. | - | - |
| 17:16 | INOVER | RW | 0x0 |
| | Enumerated values: | | |
| | 0x0 → NORMAL: don't invert the peri input | | |
| | 0x1 → INVERT: invert the peri input | | |
| | 0x2 → LOW: drive peri input low | | |
| | 0x3 → HIGH: drive peri input high | | |
| 15:14 | OEOVER | RW | 0x0 |
| | Enumerated values: | | |
| | 0x0 → NORMAL: drive output enable from peripheral signal selected by funcsel | | |
| | 0x1 → INVERT: drive output enable from inverse of peripheral signal selected by funcsel | | |
| | 0x2 → DISABLE: disable output | | |
| | 0x3 → ENABLE: enable output | | |
| 13:12 | OUTOVER | RW | 0x0 |
| | Enumerated values: | | |
| | 0x0 → NORMAL: drive output from peripheral signal selected by funcsel | | |
| | 0x1 → INVERT: drive output from inverse of peripheral signal selected by funcsel | | |
| | 0x2 → LOW: drive output low | | |
| | 0x3 → HIGH: drive output high | | |
| 11:5 | Reserved. | - | - |
| 4:0 | FUNCSEL : 0-31 → selects pin function according to the gpio table 31 == NULL | RW | 0x1f |
| | Enumerated values: | | |
| | 0x01 → SPI0_TX | | |
| | 0x02 → UART1_RTS | | |
| | 0x03 → I2C1_SCL | | |
| | 0x04 → PWM_B_3 | | |

| Bits | Description | Type | Reset |
|------|-------------------------------|------|-------|
| | 0x05 → SIO_7 | | |
| | 0x06 → PIO0_7 | | |
| | 0x07 → PIO1_7 | | |
| | 0x08 → PIO2_7 | | |
| | 0x0a → USB_MUXING_VBUS_DETECT | | |
| | 0x0b → UART1_RX | | |
| | 0x1f → NULL | | |

IO_BANK0: GPIO8_STATUS Register

Offset: 0x040

Table 666.
GPIO8_STATUS
Register

| Bits | Description | Type | Reset |
|-------|---|------|-------|
| 31:27 | Reserved. | - | - |
| 26 | IRQTOPROC : interrupt to processors, after override is applied | RO | 0x0 |
| 25:18 | Reserved. | - | - |
| 17 | INFROMPAD : input signal from pad, before filtering and override are applied | RO | 0x0 |
| 16:14 | Reserved. | - | - |
| 13 | OETOPAD : output enable to pad after register override is applied | RO | 0x0 |
| 12:10 | Reserved. | - | - |
| 9 | OUTTOPAD : output signal to pad after register override is applied | RO | 0x0 |
| 8:0 | Reserved. | - | - |

IO_BANK0: GPIO8_CTRL Register

Offset: 0x044

Table 667.
GPIO8_CTRL Register

| Bits | Description | Type | Reset |
|-------|---|------|-------|
| 31:30 | Reserved. | - | - |
| 29:28 | IRQOVER | RW | 0x0 |
| | Enumerated values: | | |
| | 0x0 → NORMAL: don't invert the interrupt | | |
| | 0x1 → INVERT: invert the interrupt | | |
| | 0x2 → LOW: drive interrupt low | | |
| | 0x3 → HIGH: drive interrupt high | | |
| 27:18 | Reserved. | - | - |
| 17:16 | INOVER | RW | 0x0 |
| | Enumerated values: | | |
| | 0x0 → NORMAL: don't invert the peri input | | |
| | 0x1 → INVERT: invert the peri input | | |

| Bits | Description | Type | Reset |
|-------|---|------|-------|
| | 0x2 → LOW: drive peri input low | | |
| | 0x3 → HIGH: drive peri input high | | |
| 15:14 | OEOVER | RW | 0x0 |
| | Enumerated values: | | |
| | 0x0 → NORMAL: drive output enable from peripheral signal selected by funcsel | | |
| | 0x1 → INVERT: drive output enable from inverse of peripheral signal selected by funcsel | | |
| | 0x2 → DISABLE: disable output | | |
| | 0x3 → ENABLE: enable output | | |
| 13:12 | OUTOVER | RW | 0x0 |
| | Enumerated values: | | |
| | 0x0 → NORMAL: drive output from peripheral signal selected by funcsel | | |
| | 0x1 → INVERT: drive output from inverse of peripheral signal selected by funcsel | | |
| | 0x2 → LOW: drive output low | | |
| | 0x3 → HIGH: drive output high | | |
| 11:5 | Reserved. | - | - |
| 4:0 | FUNCSEL : 0-31 → selects pin function according to the gpio table 31 == NULL | RW | 0x1f |
| | Enumerated values: | | |
| | 0x01 → SPI1_RX | | |
| | 0x02 → UART1_TX | | |
| | 0x03 → I2C0_SDA | | |
| | 0x04 → PWM_A_4 | | |
| | 0x05 → SIO_8 | | |
| | 0x06 → PIO0_8 | | |
| | 0x07 → PIO1_8 | | |
| | 0x08 → PIO2_8 | | |
| | 0x09 → XIP_SS_N_1 | | |
| | 0x0a → USB_MUXING_VBUS_EN | | |
| | 0x1f → NULL | | |

IO_BANK0: GPIO9_STATUS Register

Offset: 0x048

| Bits | Description | Type | Reset |
|-------|-------------|------|-------|
| 31:27 | Reserved. | - | - |

Table 668.
GPIO9_STATUS
Register

| Bits | Description | Type | Reset |
|-------|---|------|-------|
| 26 | IRQTOPROC : interrupt to processors, after override is applied | RO | 0x0 |
| 25:18 | Reserved. | - | - |
| 17 | INFROMPAD : input signal from pad, before filtering and override are applied | RO | 0x0 |
| 16:14 | Reserved. | - | - |
| 13 | OETOPAD : output enable to pad after register override is applied | RO | 0x0 |
| 12:10 | Reserved. | - | - |
| 9 | OUTTOPAD : output signal to pad after register override is applied | RO | 0x0 |
| 8:0 | Reserved. | - | - |

IO_BANK0: GPIO9_CTRL Register

Offset: 0x04c

Table 669.
GPIO9_CTRL Register

| Bits | Description | Type | Reset |
|-------|---|------|-------|
| 31:30 | Reserved. | - | - |
| 29:28 | IRQOVER | RW | 0x0 |
| | Enumerated values: | | |
| | 0x0 → NORMAL: don't invert the interrupt | | |
| | 0x1 → INVERT: invert the interrupt | | |
| | 0x2 → LOW: drive interrupt low | | |
| | 0x3 → HIGH: drive interrupt high | | |
| 27:18 | Reserved. | - | - |
| 17:16 | INOVER | RW | 0x0 |
| | Enumerated values: | | |
| | 0x0 → NORMAL: don't invert the peri input | | |
| | 0x1 → INVERT: invert the peri input | | |
| | 0x2 → LOW: drive peri input low | | |
| | 0x3 → HIGH: drive peri input high | | |
| 15:14 | OEOVER | RW | 0x0 |
| | Enumerated values: | | |
| | 0x0 → NORMAL: drive output enable from peripheral signal selected by funcsel | | |
| | 0x1 → INVERT: drive output enable from inverse of peripheral signal selected by funcsel | | |
| | 0x2 → DISABLE: disable output | | |
| | 0x3 → ENABLE: enable output | | |
| 13:12 | OUTOVER | RW | 0x0 |
| | Enumerated values: | | |

| Bits | Description | Type | Reset |
|------|--|------|-------|
| | 0x0 → NORMAL: drive output from peripheral signal selected by funcsel | | |
| | 0x1 → INVERT: drive output from inverse of peripheral signal selected by funcsel | | |
| | 0x2 → LOW: drive output low | | |
| | 0x3 → HIGH: drive output high | | |
| 11:5 | Reserved. | - | - |
| 4:0 | FUNCSEL : 0-31 → selects pin function according to the gpio table 31 == NULL | RW | 0x1f |
| | Enumerated values: | | |
| | 0x01 → SPI1_SS_N | | |
| | 0x02 → UART1_RX | | |
| | 0x03 → I2C0_SCL | | |
| | 0x04 → PWM_B_4 | | |
| | 0x05 → SIO_9 | | |
| | 0x06 → PIO0_9 | | |
| | 0x07 → PIO1_9 | | |
| | 0x08 → PIO2_9 | | |
| | 0x0a → USB_MUXING_OVERCURR_DETECT | | |
| | 0x1f → NULL | | |

IO_BANK0: GPIO10_STATUS Register

Offset: 0x050

Table 670.
GPIO10_STATUS
Register

| Bits | Description | Type | Reset |
|-------|---|------|-------|
| 31:27 | Reserved. | - | - |
| 26 | IRQTOPROC : interrupt to processors, after override is applied | RO | 0x0 |
| 25:18 | Reserved. | - | - |
| 17 | INFROMPAD : input signal from pad, before filtering and override are applied | RO | 0x0 |
| 16:14 | Reserved. | - | - |
| 13 | OETOPAD : output enable to pad after register override is applied | RO | 0x0 |
| 12:10 | Reserved. | - | - |
| 9 | OUTTOPAD : output signal to pad after register override is applied | RO | 0x0 |
| 8:0 | Reserved. | - | - |

IO_BANK0: GPIO10_CTRL Register

Offset: 0x054

Table 671.
GPIO10_CTRL Register

| Bits | Description | Type | Reset |
|-------|---|------|-------|
| 31:30 | Reserved. | - | - |
| 29:28 | IRQOVER | RW | 0x0 |
| | Enumerated values: | | |
| | 0x0 → NORMAL: don't invert the interrupt | | |
| | 0x1 → INVERT: invert the interrupt | | |
| | 0x2 → LOW: drive interrupt low | | |
| | 0x3 → HIGH: drive interrupt high | | |
| 27:18 | Reserved. | - | - |
| 17:16 | INOVER | RW | 0x0 |
| | Enumerated values: | | |
| | 0x0 → NORMAL: don't invert the peri input | | |
| | 0x1 → INVERT: invert the peri input | | |
| | 0x2 → LOW: drive peri input low | | |
| | 0x3 → HIGH: drive peri input high | | |
| 15:14 | OEOVER | RW | 0x0 |
| | Enumerated values: | | |
| | 0x0 → NORMAL: drive output enable from peripheral signal selected by funcsel | | |
| | 0x1 → INVERT: drive output enable from inverse of peripheral signal selected by funcsel | | |
| | 0x2 → DISABLE: disable output | | |
| | 0x3 → ENABLE: enable output | | |
| 13:12 | OUTOVER | RW | 0x0 |
| | Enumerated values: | | |
| | 0x0 → NORMAL: drive output from peripheral signal selected by funcsel | | |
| | 0x1 → INVERT: drive output from inverse of peripheral signal selected by funcsel | | |
| | 0x2 → LOW: drive output low | | |
| | 0x3 → HIGH: drive output high | | |
| 11:5 | Reserved. | - | - |
| 4:0 | FUNCSEL : 0-31 → selects pin function according to the gpio table 31 == NULL | RW | 0x1f |
| | Enumerated values: | | |
| | 0x01 → SPI1_SCLK | | |
| | 0x02 → UART1_CTS | | |
| | 0x03 → I2C1_SDA | | |
| | 0x04 → PWM_A_5 | | |

| Bits | Description | Type | Reset |
|------|-------------------------------|------|-------|
| | 0x05 → SIO_10 | | |
| | 0x06 → PIO0_10 | | |
| | 0x07 → PIO1_10 | | |
| | 0x08 → PIO2_10 | | |
| | 0x0a → USB_MUXING_VBUS_DETECT | | |
| | 0x0b → UART1_TX | | |
| | 0x1f → NULL | | |

IO_BANK0: GPIO11_STATUS Register

Offset: 0x058

Table 672.
GPIO11_STATUS
Register

| Bits | Description | Type | Reset |
|-------|---|------|-------|
| 31:27 | Reserved. | - | - |
| 26 | IRQTOPROC : interrupt to processors, after override is applied | RO | 0x0 |
| 25:18 | Reserved. | - | - |
| 17 | INFROMPAD : input signal from pad, before filtering and override are applied | RO | 0x0 |
| 16:14 | Reserved. | - | - |
| 13 | OETOPAD : output enable to pad after register override is applied | RO | 0x0 |
| 12:10 | Reserved. | - | - |
| 9 | OUTTOPAD : output signal to pad after register override is applied | RO | 0x0 |
| 8:0 | Reserved. | - | - |

IO_BANK0: GPIO11_CTRL Register

Offset: 0x05c

Table 673.
GPIO11_CTRL Register

| Bits | Description | Type | Reset |
|-------|---|------|-------|
| 31:30 | Reserved. | - | - |
| 29:28 | IRQOVER | RW | 0x0 |
| | Enumerated values: | | |
| | 0x0 → NORMAL: don't invert the interrupt | | |
| | 0x1 → INVERT: invert the interrupt | | |
| | 0x2 → LOW: drive interrupt low | | |
| | 0x3 → HIGH: drive interrupt high | | |
| 27:18 | Reserved. | - | - |
| 17:16 | INOVER | RW | 0x0 |
| | Enumerated values: | | |
| | 0x0 → NORMAL: don't invert the peri input | | |
| | 0x1 → INVERT: invert the peri input | | |

| Bits | Description | Type | Reset |
|-------|---|------|-------|
| | 0x2 → LOW: drive peri input low | | |
| | 0x3 → HIGH: drive peri input high | | |
| 15:14 | OEOVER | RW | 0x0 |
| | Enumerated values: | | |
| | 0x0 → NORMAL: drive output enable from peripheral signal selected by funcsel | | |
| | 0x1 → INVERT: drive output enable from inverse of peripheral signal selected by funcsel | | |
| | 0x2 → DISABLE: disable output | | |
| | 0x3 → ENABLE: enable output | | |
| 13:12 | OUTOVER | RW | 0x0 |
| | Enumerated values: | | |
| | 0x0 → NORMAL: drive output from peripheral signal selected by funcsel | | |
| | 0x1 → INVERT: drive output from inverse of peripheral signal selected by funcsel | | |
| | 0x2 → LOW: drive output low | | |
| | 0x3 → HIGH: drive output high | | |
| 11:5 | Reserved. | - | - |
| 4:0 | FUNCSEL : 0-31 → selects pin function according to the gpio table 31 == NULL | RW | 0x1f |
| | Enumerated values: | | |
| | 0x01 → SPI1_TX | | |
| | 0x02 → UART1_RTS | | |
| | 0x03 → I2C1_SCL | | |
| | 0x04 → PWM_B_5 | | |
| | 0x05 → SIO_11 | | |
| | 0x06 → PIO0_11 | | |
| | 0x07 → PIO1_11 | | |
| | 0x08 → PIO2_11 | | |
| | 0x0a → USB_MUXING_VBUS_EN | | |
| | 0x0b → UART1_RX | | |
| | 0x1f → NULL | | |

IO_BANK0: GPIO12_STATUS Register

Offset: 0x060

Table 674.
GPIO12_STATUS
Register

| Bits | Description | Type | Reset |
|-------|-------------|------|-------|
| 31:27 | Reserved. | - | - |

| Bits | Description | Type | Reset |
|-------|---|------|-------|
| 26 | IRQTOPROC : interrupt to processors, after override is applied | RO | 0x0 |
| 25:18 | Reserved. | - | - |
| 17 | INFROMPAD : input signal from pad, before filtering and override are applied | RO | 0x0 |
| 16:14 | Reserved. | - | - |
| 13 | OETOPAD : output enable to pad after register override is applied | RO | 0x0 |
| 12:10 | Reserved. | - | - |
| 9 | OUTTOPAD : output signal to pad after register override is applied | RO | 0x0 |
| 8:0 | Reserved. | - | - |

IO_BANK0: GPIO12_CTRL Register

Offset: 0x064

Table 675.
GPIO12_CTRL Register

| Bits | Description | Type | Reset |
|-------|---|------|-------|
| 31:30 | Reserved. | - | - |
| 29:28 | IRQOVER | RW | 0x0 |
| | Enumerated values: | | |
| | 0x0 → NORMAL: don't invert the interrupt | | |
| | 0x1 → INVERT: invert the interrupt | | |
| | 0x2 → LOW: drive interrupt low | | |
| | 0x3 → HIGH: drive interrupt high | | |
| 27:18 | Reserved. | - | - |
| 17:16 | INOVER | RW | 0x0 |
| | Enumerated values: | | |
| | 0x0 → NORMAL: don't invert the peri input | | |
| | 0x1 → INVERT: invert the peri input | | |
| | 0x2 → LOW: drive peri input low | | |
| | 0x3 → HIGH: drive peri input high | | |
| 15:14 | OEOVER | RW | 0x0 |
| | Enumerated values: | | |
| | 0x0 → NORMAL: drive output enable from peripheral signal selected by funcsel | | |
| | 0x1 → INVERT: drive output enable from inverse of peripheral signal selected by funcsel | | |
| | 0x2 → DISABLE: disable output | | |
| | 0x3 → ENABLE: enable output | | |
| 13:12 | OUTOVER | RW | 0x0 |
| | Enumerated values: | | |

| Bits | Description | Type | Reset |
|------|--|------|-------|
| | 0x0 → NORMAL: drive output from peripheral signal selected by funcsel | | |
| | 0x1 → INVERT: drive output from inverse of peripheral signal selected by funcsel | | |
| | 0x2 → LOW: drive output low | | |
| | 0x3 → HIGH: drive output high | | |
| 11:5 | Reserved. | - | - |
| 4:0 | FUNCSEL : 0-31 → selects pin function according to the gpio table 31 == NULL | RW | 0x1f |
| | Enumerated values: | | |
| | 0x00 → HSTX_0 | | |
| | 0x01 → SPI1_RX | | |
| | 0x02 → UART0_TX | | |
| | 0x03 → I2C0_SDA | | |
| | 0x04 → PWM_A_6 | | |
| | 0x05 → SIO_12 | | |
| | 0x06 → PIO0_12 | | |
| | 0x07 → PIO1_12 | | |
| | 0x08 → PIO2_12 | | |
| | 0x09 → CLOCKS_GPIN_0 | | |
| | 0x0a → USB_MUXING_OVERCURR_DETECT | | |
| | 0x1f → NULL | | |

IO_BANK0: GPIO13_STATUS Register

Offset: 0x068

Table 676.
GPIO13_STATUS
Register

| Bits | Description | Type | Reset |
|-------|---|------|-------|
| 31:27 | Reserved. | - | - |
| 26 | IRQTOPROC : interrupt to processors, after override is applied | RO | 0x0 |
| 25:18 | Reserved. | - | - |
| 17 | INFROMPAD : input signal from pad, before filtering and override are applied | RO | 0x0 |
| 16:14 | Reserved. | - | - |
| 13 | OETOPAD : output enable to pad after register override is applied | RO | 0x0 |
| 12:10 | Reserved. | - | - |
| 9 | OUTTOPAD : output signal to pad after register override is applied | RO | 0x0 |
| 8:0 | Reserved. | - | - |

IO_BANK0: GPIO13_CTRL Register

Offset: 0x06c

Table 677.
GPIO13_CTRL Register

| Bits | Description | Type | Reset |
|-------|---|------|-------|
| 31:30 | Reserved. | - | - |
| 29:28 | IRQOVER | RW | 0x0 |
| | Enumerated values: | | |
| | 0x0 → NORMAL: don't invert the interrupt | | |
| | 0x1 → INVERT: invert the interrupt | | |
| | 0x2 → LOW: drive interrupt low | | |
| | 0x3 → HIGH: drive interrupt high | | |
| 27:18 | Reserved. | - | - |
| 17:16 | INOVER | RW | 0x0 |
| | Enumerated values: | | |
| | 0x0 → NORMAL: don't invert the peri input | | |
| | 0x1 → INVERT: invert the peri input | | |
| | 0x2 → LOW: drive peri input low | | |
| | 0x3 → HIGH: drive peri input high | | |
| 15:14 | OEOVER | RW | 0x0 |
| | Enumerated values: | | |
| | 0x0 → NORMAL: drive output enable from peripheral signal selected by funcsel | | |
| | 0x1 → INVERT: drive output enable from inverse of peripheral signal selected by funcsel | | |
| | 0x2 → DISABLE: disable output | | |
| | 0x3 → ENABLE: enable output | | |
| 13:12 | OUTOVER | RW | 0x0 |
| | Enumerated values: | | |
| | 0x0 → NORMAL: drive output from peripheral signal selected by funcsel | | |
| | 0x1 → INVERT: drive output from inverse of peripheral signal selected by funcsel | | |
| | 0x2 → LOW: drive output low | | |
| | 0x3 → HIGH: drive output high | | |
| 11:5 | Reserved. | - | - |
| 4:0 | FUNCSEL : 0-31 → selects pin function according to the gpio table 31 == NULL | RW | 0x1f |
| | Enumerated values: | | |
| | 0x00 → HSTX_1 | | |
| | 0x01 → SPI1_SS_N | | |
| | 0x02 → UART0_RX | | |
| | 0x03 → I2C0_SCL | | |

| Bits | Description | Type | Reset |
|------|-------------------------------|------|-------|
| | 0x04 → PWM_B_6 | | |
| | 0x05 → SIO_13 | | |
| | 0x06 → PIO0_13 | | |
| | 0x07 → PIO1_13 | | |
| | 0x08 → PIO2_13 | | |
| | 0x09 → CLOCKS_GPOUT_0 | | |
| | 0x0a → USB_MUXING_VBUS_DETECT | | |
| | 0x1f → NULL | | |

IO_BANK0: GPIO14_STATUS Register

Offset: 0x070

Table 678.
GPIO14_STATUS
Register

| Bits | Description | Type | Reset |
|-------|---|------|-------|
| 31:27 | Reserved. | - | - |
| 26 | IRQTOPROC : interrupt to processors, after override is applied | RO | 0x0 |
| 25:18 | Reserved. | - | - |
| 17 | INFROMPAD : input signal from pad, before filtering and override are applied | RO | 0x0 |
| 16:14 | Reserved. | - | - |
| 13 | OETOPAD : output enable to pad after register override is applied | RO | 0x0 |
| 12:10 | Reserved. | - | - |
| 9 | OUTTOPAD : output signal to pad after register override is applied | RO | 0x0 |
| 8:0 | Reserved. | - | - |

IO_BANK0: GPIO14_CTRL Register

Offset: 0x074

Table 679.
GPIO14_CTRL Register

| Bits | Description | Type | Reset |
|-------|---|------|-------|
| 31:30 | Reserved. | - | - |
| 29:28 | IRQOVER | RW | 0x0 |
| | Enumerated values: | | |
| | 0x0 → NORMAL: don't invert the interrupt | | |
| | 0x1 → INVERT: invert the interrupt | | |
| | 0x2 → LOW: drive interrupt low | | |
| | 0x3 → HIGH: drive interrupt high | | |
| 27:18 | Reserved. | - | - |
| 17:16 | INOVER | RW | 0x0 |
| | Enumerated values: | | |
| | 0x0 → NORMAL: don't invert the peri input | | |

| Bits | Description | Type | Reset |
|-------|---|------|-------|
| | 0x1 → INVERT: invert the peri input | | |
| | 0x2 → LOW: drive peri input low | | |
| | 0x3 → HIGH: drive peri input high | | |
| 15:14 | OEOVER | RW | 0x0 |
| | Enumerated values: | | |
| | 0x0 → NORMAL: drive output enable from peripheral signal selected by funcsel | | |
| | 0x1 → INVERT: drive output enable from inverse of peripheral signal selected by funcsel | | |
| | 0x2 → DISABLE: disable output | | |
| | 0x3 → ENABLE: enable output | | |
| 13:12 | OUTOVER | RW | 0x0 |
| | Enumerated values: | | |
| | 0x0 → NORMAL: drive output from peripheral signal selected by funcsel | | |
| | 0x1 → INVERT: drive output from inverse of peripheral signal selected by funcsel | | |
| | 0x2 → LOW: drive output low | | |
| | 0x3 → HIGH: drive output high | | |
| 11:5 | Reserved. | - | - |
| 4:0 | FUNCSEL : 0-31 → selects pin function according to the gpio table 31 == NULL | RW | 0x1f |
| | Enumerated values: | | |
| | 0x00 → HSTX_2 | | |
| | 0x01 → SPI1_SCLK | | |
| | 0x02 → UART0_CTS | | |
| | 0x03 → I2C1_SDA | | |
| | 0x04 → PWM_A_7 | | |
| | 0x05 → SIO_14 | | |
| | 0x06 → PIO0_14 | | |
| | 0x07 → PIO1_14 | | |
| | 0x08 → PIO2_14 | | |
| | 0x09 → CLOCKS_GPIN_1 | | |
| | 0x0a → USB_MUXING_VBUS_EN | | |
| | 0x0b → UART0_TX | | |
| | 0x1f → NULL | | |

IO_BANK0: GPIO15_STATUS Register

Offset: 0x078

Table 680.
GPIO15_STATUS
Register

| Bits | Description | Type | Reset |
|-------|---|------|-------|
| 31:27 | Reserved. | - | - |
| 26 | IRQTOPROC : interrupt to processors, after override is applied | RO | 0x0 |
| 25:18 | Reserved. | - | - |
| 17 | INFROMPAD : input signal from pad, before filtering and override are applied | RO | 0x0 |
| 16:14 | Reserved. | - | - |
| 13 | OETOPAD : output enable to pad after register override is applied | RO | 0x0 |
| 12:10 | Reserved. | - | - |
| 9 | OUTTOPAD : output signal to pad after register override is applied | RO | 0x0 |
| 8:0 | Reserved. | - | - |

IO_BANK0: GPIO15_CTRL Register

Offset: 0x07c

Table 681.
GPIO15_CTRL Register

| Bits | Description | Type | Reset |
|-------|---|------|-------|
| 31:30 | Reserved. | - | - |
| 29:28 | IRQOVER | RW | 0x0 |
| | Enumerated values: | | |
| | 0x0 → NORMAL: don't invert the interrupt | | |
| | 0x1 → INVERT: invert the interrupt | | |
| | 0x2 → LOW: drive interrupt low | | |
| | 0x3 → HIGH: drive interrupt high | | |
| 27:18 | Reserved. | - | - |
| 17:16 | INOVER | RW | 0x0 |
| | Enumerated values: | | |
| | 0x0 → NORMAL: don't invert the peri input | | |
| | 0x1 → INVERT: invert the peri input | | |
| | 0x2 → LOW: drive peri input low | | |
| | 0x3 → HIGH: drive peri input high | | |
| 15:14 | OEOVER | RW | 0x0 |
| | Enumerated values: | | |
| | 0x0 → NORMAL: drive output enable from peripheral signal selected by funcsel | | |
| | 0x1 → INVERT: drive output enable from inverse of peripheral signal selected by funcsel | | |
| | 0x2 → DISABLE: disable output | | |
| | 0x3 → ENABLE: enable output | | |
| 13:12 | OUTOVER | RW | 0x0 |

| Bits | Description | Type | Reset |
|------|--|------|-------|
| | Enumerated values: | | |
| | 0x0 → NORMAL: drive output from peripheral signal selected by funcsel | | |
| | 0x1 → INVERT: drive output from inverse of peripheral signal selected by funcsel | | |
| | 0x2 → LOW: drive output low | | |
| | 0x3 → HIGH: drive output high | | |
| 11:5 | Reserved. | - | - |
| 4:0 | FUNCSEL : 0-31 → selects pin function according to the gpio table 31 == NULL | RW | 0x1f |
| | Enumerated values: | | |
| | 0x00 → HSTX_3 | | |
| | 0x01 → SPI1_TX | | |
| | 0x02 → UART0_RTS | | |
| | 0x03 → I2C1_SCL | | |
| | 0x04 → PWM_B_7 | | |
| | 0x05 → SIO_15 | | |
| | 0x06 → PIO0_15 | | |
| | 0x07 → PIO1_15 | | |
| | 0x08 → PIO2_15 | | |
| | 0x09 → CLOCKS_GPOUT_1 | | |
| | 0x0a → USB_MUXING_OVERCURR_DETECT | | |
| | 0x0b → UART0_RX | | |
| | 0x1f → NULL | | |

IO_BANK0: GPIO16_STATUS Register

Offset: 0x080

Table 682.
GPIO16_STATUS
Register

| Bits | Description | Type | Reset |
|-------|---|------|-------|
| 31:27 | Reserved. | - | - |
| 26 | IRQTOPROC : interrupt to processors, after override is applied | RO | 0x0 |
| 25:18 | Reserved. | - | - |
| 17 | INFROMPAD : input signal from pad, before filtering and override are applied | RO | 0x0 |
| 16:14 | Reserved. | - | - |
| 13 | OETOPAD : output enable to pad after register override is applied | RO | 0x0 |
| 12:10 | Reserved. | - | - |
| 9 | OUTTOPAD : output signal to pad after register override is applied | RO | 0x0 |
| 8:0 | Reserved. | - | - |

IO_BANK0: GPIO16_CTRL Register

Offset: 0x084

Table 683.
GPIO16_CTRL Register

| Bits | Description | Type | Reset |
|-------|---|------|-------|
| 31:30 | Reserved. | - | - |
| 29:28 | IRQOVER | RW | 0x0 |
| | Enumerated values: | | |
| | 0x0 → NORMAL: don't invert the interrupt | | |
| | 0x1 → INVERT: invert the interrupt | | |
| | 0x2 → LOW: drive interrupt low | | |
| | 0x3 → HIGH: drive interrupt high | | |
| 27:18 | Reserved. | - | - |
| 17:16 | INOVER | RW | 0x0 |
| | Enumerated values: | | |
| | 0x0 → NORMAL: don't invert the peri input | | |
| | 0x1 → INVERT: invert the peri input | | |
| | 0x2 → LOW: drive peri input low | | |
| | 0x3 → HIGH: drive peri input high | | |
| 15:14 | OEOVER | RW | 0x0 |
| | Enumerated values: | | |
| | 0x0 → NORMAL: drive output enable from peripheral signal selected by funcsel | | |
| | 0x1 → INVERT: drive output enable from inverse of peripheral signal selected by funcsel | | |
| | 0x2 → DISABLE: disable output | | |
| | 0x3 → ENABLE: enable output | | |
| 13:12 | OUTOVER | RW | 0x0 |
| | Enumerated values: | | |
| | 0x0 → NORMAL: drive output from peripheral signal selected by funcsel | | |
| | 0x1 → INVERT: drive output from inverse of peripheral signal selected by funcsel | | |
| | 0x2 → LOW: drive output low | | |
| | 0x3 → HIGH: drive output high | | |
| 11:5 | Reserved. | - | - |
| 4:0 | FUNCSEL : 0-31 → selects pin function according to the gpio table 31 == NULL | RW | 0x1f |
| | Enumerated values: | | |
| | 0x00 → HSTX_4 | | |
| | 0x01 → SPI0_RX | | |

| Bits | Description | Type | Reset |
|------|-------------------------------|------|-------|
| | 0x02 → UART0_TX | | |
| | 0x03 → I2C0_SDA | | |
| | 0x04 → PWM_A_0 | | |
| | 0x05 → SIO_16 | | |
| | 0x06 → PIO0_16 | | |
| | 0x07 → PIO1_16 | | |
| | 0x08 → PIO2_16 | | |
| | 0x0a → USB_MUXING_VBUS_DETECT | | |
| | 0x1f → NULL | | |

IO_BANK0: GPIO17_STATUS Register

Offset: 0x088

Table 684.
GPIO17_STATUS
Register

| Bits | Description | Type | Reset |
|-------|--|------|-------|
| 31:27 | Reserved. | - | - |
| 26 | IRQTOPROC : interrupt to processors, after override is applied | RO | 0x0 |
| 25:18 | Reserved. | - | - |
| 17 | INFROPAD : input signal from pad, before filtering and override are applied | RO | 0x0 |
| 16:14 | Reserved. | - | - |
| 13 | OETOPAD : output enable to pad after register override is applied | RO | 0x0 |
| 12:10 | Reserved. | - | - |
| 9 | OUTTOPAD : output signal to pad after register override is applied | RO | 0x0 |
| 8:0 | Reserved. | - | - |

IO_BANK0: GPIO17_CTRL Register

Offset: 0x08c

Table 685.
GPIO17_CTRL Register

| Bits | Description | Type | Reset |
|-------|--|------|-------|
| 31:30 | Reserved. | - | - |
| 29:28 | IRQOVER | RW | 0x0 |
| | Enumerated values: | | |
| | 0x0 → NORMAL: don't invert the interrupt | | |
| | 0x1 → INVERT: invert the interrupt | | |
| | 0x2 → LOW: drive interrupt low | | |
| | 0x3 → HIGH: drive interrupt high | | |
| 27:18 | Reserved. | - | - |
| 17:16 | INOVER | RW | 0x0 |
| | Enumerated values: | | |

| Bits | Description | Type | Reset |
|-------|---|------|-------|
| | 0x0 → NORMAL: don't invert the peri input | | |
| | 0x1 → INVERT: invert the peri input | | |
| | 0x2 → LOW: drive peri input low | | |
| | 0x3 → HIGH: drive peri input high | | |
| 15:14 | OEORDER | RW | 0x0 |
| | Enumerated values: | | |
| | 0x0 → NORMAL: drive output enable from peripheral signal selected by funcsel | | |
| | 0x1 → INVERT: drive output enable from inverse of peripheral signal selected by funcsel | | |
| | 0x2 → DISABLE: disable output | | |
| | 0x3 → ENABLE: enable output | | |
| 13:12 | OUTORDER | RW | 0x0 |
| | Enumerated values: | | |
| | 0x0 → NORMAL: drive output from peripheral signal selected by funcsel | | |
| | 0x1 → INVERT: drive output from inverse of peripheral signal selected by funcsel | | |
| | 0x2 → LOW: drive output low | | |
| | 0x3 → HIGH: drive output high | | |
| 11:5 | Reserved. | - | - |
| 4:0 | FUNCSEL : 0-31 → selects pin function according to the gpio table 31 == NULL | RW | 0x1f |
| | Enumerated values: | | |
| | 0x00 → HSTX_5 | | |
| | 0x01 → SPI0_SS_N | | |
| | 0x02 → UART0_RX | | |
| | 0x03 → I2C0_SCL | | |
| | 0x04 → PWM_B_0 | | |
| | 0x05 → SIO_17 | | |
| | 0x06 → PIO0_17 | | |
| | 0x07 → PIO1_17 | | |
| | 0x08 → PIO2_17 | | |
| | 0x0a → USB_MUXING_VBUS_EN | | |
| | 0x1f → NULL | | |

IO_BANK0: GPIO18_STATUS Register

Offset: 0x090

Table 686.
GPIO18_STATUS
Register

| Bits | Description | Type | Reset |
|-------|---|------|-------|
| 31:27 | Reserved. | - | - |
| 26 | IRQTOPROC : interrupt to processors, after override is applied | RO | 0x0 |
| 25:18 | Reserved. | - | - |
| 17 | INFROMPAD : input signal from pad, before filtering and override are applied | RO | 0x0 |
| 16:14 | Reserved. | - | - |
| 13 | OETOPAD : output enable to pad after register override is applied | RO | 0x0 |
| 12:10 | Reserved. | - | - |
| 9 | OUTTOPAD : output signal to pad after register override is applied | RO | 0x0 |
| 8:0 | Reserved. | - | - |

IO_BANK0: GPIO18_CTRL Register

Offset: 0x094

Table 687.
GPIO18_CTRL Register

| Bits | Description | Type | Reset |
|-------|---|------|-------|
| 31:30 | Reserved. | - | - |
| 29:28 | IRQOVER | RW | 0x0 |
| | Enumerated values: | | |
| | 0x0 → NORMAL: don't invert the interrupt | | |
| | 0x1 → INVERT: invert the interrupt | | |
| | 0x2 → LOW: drive interrupt low | | |
| | 0x3 → HIGH: drive interrupt high | | |
| 27:18 | Reserved. | - | - |
| 17:16 | INOVER | RW | 0x0 |
| | Enumerated values: | | |
| | 0x0 → NORMAL: don't invert the peri input | | |
| | 0x1 → INVERT: invert the peri input | | |
| | 0x2 → LOW: drive peri input low | | |
| | 0x3 → HIGH: drive peri input high | | |
| 15:14 | OEOVER | RW | 0x0 |
| | Enumerated values: | | |
| | 0x0 → NORMAL: drive output enable from peripheral signal selected by funcsel | | |
| | 0x1 → INVERT: drive output enable from inverse of peripheral signal selected by funcsel | | |
| | 0x2 → DISABLE: disable output | | |
| | 0x3 → ENABLE: enable output | | |
| 13:12 | OUTOVER | RW | 0x0 |

| Bits | Description | Type | Reset |
|------|--|------|-------|
| | Enumerated values: | | |
| | 0x0 → NORMAL: drive output from peripheral signal selected by funcsel | | |
| | 0x1 → INVERT: drive output from inverse of peripheral signal selected by funcsel | | |
| | 0x2 → LOW: drive output low | | |
| | 0x3 → HIGH: drive output high | | |
| 11:5 | Reserved. | - | - |
| 4:0 | FUNCSEL : 0-31 → selects pin function according to the gpio table 31 == NULL | RW | 0x1f |
| | Enumerated values: | | |
| | 0x00 → HSTX_6 | | |
| | 0x01 → SPI0_SCLK | | |
| | 0x02 → UART0_CTS | | |
| | 0x03 → I2C1_SDA | | |
| | 0x04 → PWM_A_1 | | |
| | 0x05 → SIO_18 | | |
| | 0x06 → PIO0_18 | | |
| | 0x07 → PIO1_18 | | |
| | 0x08 → PIO2_18 | | |
| | 0x0a → USB_MUXING_OVERCURRETECT | | |
| | 0x0b → UART0_TX | | |
| | 0x1f → NULL | | |

IO_BANK0: GPIO19_STATUS Register

Offset: 0x098

Table 688.
GPIO19_STATUS
Register

| Bits | Description | Type | Reset |
|-------|---|------|-------|
| 31:27 | Reserved. | - | - |
| 26 | IRQTOPROC : interrupt to processors, after override is applied | RO | 0x0 |
| 25:18 | Reserved. | - | - |
| 17 | INFROMPAD : input signal from pad, before filtering and override are applied | RO | 0x0 |
| 16:14 | Reserved. | - | - |
| 13 | OETOPAD : output enable to pad after register override is applied | RO | 0x0 |
| 12:10 | Reserved. | - | - |
| 9 | OUTTOPAD : output signal to pad after register override is applied | RO | 0x0 |
| 8:0 | Reserved. | - | - |

IO_BANK0: GPIO19_CTRL Register

Offset: 0x09c

Table 689.
GPIO19_CTRL Register

| Bits | Description | Type | Reset |
|-------|---|------|-------|
| 31:30 | Reserved. | - | - |
| 29:28 | IRQOVER | RW | 0x0 |
| | Enumerated values: | | |
| | 0x0 → NORMAL: don't invert the interrupt | | |
| | 0x1 → INVERT: invert the interrupt | | |
| | 0x2 → LOW: drive interrupt low | | |
| | 0x3 → HIGH: drive interrupt high | | |
| 27:18 | Reserved. | - | - |
| 17:16 | INOVER | RW | 0x0 |
| | Enumerated values: | | |
| | 0x0 → NORMAL: don't invert the peri input | | |
| | 0x1 → INVERT: invert the peri input | | |
| | 0x2 → LOW: drive peri input low | | |
| | 0x3 → HIGH: drive peri input high | | |
| 15:14 | OEOVER | RW | 0x0 |
| | Enumerated values: | | |
| | 0x0 → NORMAL: drive output enable from peripheral signal selected by funcsel | | |
| | 0x1 → INVERT: drive output enable from inverse of peripheral signal selected by funcsel | | |
| | 0x2 → DISABLE: disable output | | |
| | 0x3 → ENABLE: enable output | | |
| 13:12 | OUTOVER | RW | 0x0 |
| | Enumerated values: | | |
| | 0x0 → NORMAL: drive output from peripheral signal selected by funcsel | | |
| | 0x1 → INVERT: drive output from inverse of peripheral signal selected by funcsel | | |
| | 0x2 → LOW: drive output low | | |
| | 0x3 → HIGH: drive output high | | |
| 11:5 | Reserved. | - | - |
| 4:0 | FUNCSEL : 0-31 → selects pin function according to the gpio table 31 == NULL | RW | 0x1f |
| | Enumerated values: | | |
| | 0x00 → HSTX_7 | | |
| | 0x01 → SPI0_TX | | |
| | 0x02 → UART0_RTS | | |

| Bits | Description | Type | Reset |
|------|-------------------------------|------|-------|
| | 0x03 → I2C1_SCL | | |
| | 0x04 → PWM_B_1 | | |
| | 0x05 → SIO_19 | | |
| | 0x06 → PIO0_19 | | |
| | 0x07 → PIO1_19 | | |
| | 0x08 → PIO2_19 | | |
| | 0x09 → XIP_SS_N_1 | | |
| | 0x0a → USB_MUXING_VBUS_DETECT | | |
| | 0x0b → UART0_RX | | |
| | 0x1f → NULL | | |

IO_BANK0: GPIO20_STATUS Register

Offset: 0x0a0

Table 690.
GPIO20_STATUS
Register

| Bits | Description | Type | Reset |
|-------|--|------|-------|
| 31:27 | Reserved. | - | - |
| 26 | IRQTOPROC : interrupt to processors, after override is applied | RO | 0x0 |
| 25:18 | Reserved. | - | - |
| 17 | INFROPAD : input signal from pad, before filtering and override are applied | RO | 0x0 |
| 16:14 | Reserved. | - | - |
| 13 | OETOPAD : output enable to pad after register override is applied | RO | 0x0 |
| 12:10 | Reserved. | - | - |
| 9 | OUTTOPAD : output signal to pad after register override is applied | RO | 0x0 |
| 8:0 | Reserved. | - | - |

IO_BANK0: GPIO20_CTRL Register

Offset: 0x0a4

Table 691.
GPIO20_CTRL Register

| Bits | Description | Type | Reset |
|-------|--|------|-------|
| 31:30 | Reserved. | - | - |
| 29:28 | IRQOVER | RW | 0x0 |
| | Enumerated values: | | |
| | 0x0 → NORMAL: don't invert the interrupt | | |
| | 0x1 → INVERT: invert the interrupt | | |
| | 0x2 → LOW: drive interrupt low | | |
| | 0x3 → HIGH: drive interrupt high | | |
| 27:18 | Reserved. | - | - |
| 17:16 | INOVER | RW | 0x0 |

| Bits | Description | Type | Reset |
|-------|---|------|-------|
| | Enumerated values: | | |
| | 0x0 → NORMAL: don't invert the peri input | | |
| | 0x1 → INVERT: invert the peri input | | |
| | 0x2 → LOW: drive peri input low | | |
| | 0x3 → HIGH: drive peri input high | | |
| 15:14 | OEOVER | RW | 0x0 |
| | Enumerated values: | | |
| | 0x0 → NORMAL: drive output enable from peripheral signal selected by funcsel | | |
| | 0x1 → INVERT: drive output enable from inverse of peripheral signal selected by funcsel | | |
| | 0x2 → DISABLE: disable output | | |
| | 0x3 → ENABLE: enable output | | |
| 13:12 | OUTOVER | RW | 0x0 |
| | Enumerated values: | | |
| | 0x0 → NORMAL: drive output from peripheral signal selected by funcsel | | |
| | 0x1 → INVERT: drive output from inverse of peripheral signal selected by funcsel | | |
| | 0x2 → LOW: drive output low | | |
| | 0x3 → HIGH: drive output high | | |
| 11:5 | Reserved. | - | - |
| 4:0 | FUNCSEL : 0-31 → selects pin function according to the gpio table 31 == NULL | RW | 0x1f |
| | Enumerated values: | | |
| | 0x01 → SPI0_RX | | |
| | 0x02 → UART1_TX | | |
| | 0x03 → I2C0_SDA | | |
| | 0x04 → PWM_A_2 | | |
| | 0x05 → SIO_20 | | |
| | 0x06 → PIO0_20 | | |
| | 0x07 → PIO1_20 | | |
| | 0x08 → PIO2_20 | | |
| | 0x09 → CLOCKS_GPIN_0 | | |
| | 0x0a → USB_MUXING_VBUS_EN | | |
| | 0x1f → NULL | | |

IO_BANK0: GPIO21_STATUS Register

Offset: 0x0a8

Table 692.
GPIO21_STATUS
Register

| Bits | Description | Type | Reset |
|-------|---|------|-------|
| 31:27 | Reserved. | - | - |
| 26 | IRQTOPROC : interrupt to processors, after override is applied | RO | 0x0 |
| 25:18 | Reserved. | - | - |
| 17 | INFROMPAD : input signal from pad, before filtering and override are applied | RO | 0x0 |
| 16:14 | Reserved. | - | - |
| 13 | OETOPAD : output enable to pad after register override is applied | RO | 0x0 |
| 12:10 | Reserved. | - | - |
| 9 | OUTTOPAD : output signal to pad after register override is applied | RO | 0x0 |
| 8:0 | Reserved. | - | - |

IO_BANK0: GPIO21_CTRL Register

Offset: 0x0ac

Table 693.
GPIO21_CTRL Register

| Bits | Description | Type | Reset |
|-------|---|------|-------|
| 31:30 | Reserved. | - | - |
| 29:28 | IRQOVER | RW | 0x0 |
| | Enumerated values: | | |
| | 0x0 → NORMAL: don't invert the interrupt | | |
| | 0x1 → INVERT: invert the interrupt | | |
| | 0x2 → LOW: drive interrupt low | | |
| | 0x3 → HIGH: drive interrupt high | | |
| 27:18 | Reserved. | - | - |
| 17:16 | INOVER | RW | 0x0 |
| | Enumerated values: | | |
| | 0x0 → NORMAL: don't invert the peri input | | |
| | 0x1 → INVERT: invert the peri input | | |
| | 0x2 → LOW: drive peri input low | | |
| | 0x3 → HIGH: drive peri input high | | |
| 15:14 | OEOVER | RW | 0x0 |
| | Enumerated values: | | |
| | 0x0 → NORMAL: drive output enable from peripheral signal selected by funcsel | | |
| | 0x1 → INVERT: drive output enable from inverse of peripheral signal selected by funcsel | | |
| | 0x2 → DISABLE: disable output | | |
| | 0x3 → ENABLE: enable output | | |
| 13:12 | OUTOVER | RW | 0x0 |

| Bits | Description | Type | Reset |
|------|--|------|-------|
| | Enumerated values: | | |
| | 0x0 → NORMAL: drive output from peripheral signal selected by funcsel | | |
| | 0x1 → INVERT: drive output from inverse of peripheral signal selected by funcsel | | |
| | 0x2 → LOW: drive output low | | |
| | 0x3 → HIGH: drive output high | | |
| 11:5 | Reserved. | - | - |
| 4:0 | FUNCSEL : 0-31 → selects pin function according to the gpio table 31 == NULL | RW | 0x1f |
| | Enumerated values: | | |
| | 0x01 → SPI0_SS_N | | |
| | 0x02 → UART1_RX | | |
| | 0x03 → I2C0_SCL | | |
| | 0x04 → PWM_B_2 | | |
| | 0x05 → SIO_21 | | |
| | 0x06 → PIO0_21 | | |
| | 0x07 → PIO1_21 | | |
| | 0x08 → PIO2_21 | | |
| | 0x09 → CLOCKS_GPOUT_0 | | |
| | 0x0a → USB_MUXING_OVERCURRETECT | | |
| | 0x1f → NULL | | |

IO_BANK0: GPIO22_STATUS Register

Offset: 0x0b0

Table 694.
GPIO22_STATUS
Register

| Bits | Description | Type | Reset |
|-------|---|------|-------|
| 31:27 | Reserved. | - | - |
| 26 | IRQTOPROC : interrupt to processors, after override is applied | RO | 0x0 |
| 25:18 | Reserved. | - | - |
| 17 | INFROMPAD : input signal from pad, before filtering and override are applied | RO | 0x0 |
| 16:14 | Reserved. | - | - |
| 13 | OETOPAD : output enable to pad after register override is applied | RO | 0x0 |
| 12:10 | Reserved. | - | - |
| 9 | OUTTOPAD : output signal to pad after register override is applied | RO | 0x0 |
| 8:0 | Reserved. | - | - |

IO_BANK0: GPIO22_CTRL Register

Offset: 0x0b4

Table 695.
GPIO22_CTRL Register

| Bits | Description | Type | Reset |
|-------|---|------|-------|
| 31:30 | Reserved. | - | - |
| 29:28 | IRQOVER | RW | 0x0 |
| | Enumerated values: | | |
| | 0x0 → NORMAL: don't invert the interrupt | | |
| | 0x1 → INVERT: invert the interrupt | | |
| | 0x2 → LOW: drive interrupt low | | |
| | 0x3 → HIGH: drive interrupt high | | |
| 27:18 | Reserved. | - | - |
| 17:16 | INOVER | RW | 0x0 |
| | Enumerated values: | | |
| | 0x0 → NORMAL: don't invert the peri input | | |
| | 0x1 → INVERT: invert the peri input | | |
| | 0x2 → LOW: drive peri input low | | |
| | 0x3 → HIGH: drive peri input high | | |
| 15:14 | OEOVER | RW | 0x0 |
| | Enumerated values: | | |
| | 0x0 → NORMAL: drive output enable from peripheral signal selected by funcsel | | |
| | 0x1 → INVERT: drive output enable from inverse of peripheral signal selected by funcsel | | |
| | 0x2 → DISABLE: disable output | | |
| | 0x3 → ENABLE: enable output | | |
| 13:12 | OUTOVER | RW | 0x0 |
| | Enumerated values: | | |
| | 0x0 → NORMAL: drive output from peripheral signal selected by funcsel | | |
| | 0x1 → INVERT: drive output from inverse of peripheral signal selected by funcsel | | |
| | 0x2 → LOW: drive output low | | |
| | 0x3 → HIGH: drive output high | | |
| 11:5 | Reserved. | - | - |
| 4:0 | FUNCSEL : 0-31 → selects pin function according to the gpio table 31 == NULL | RW | 0x1f |
| | Enumerated values: | | |
| | 0x01 → SPI0_SCLK | | |
| | 0x02 → UART1_CTS | | |
| | 0x03 → I2C1_SDA | | |
| | 0x04 → PWM_A_3 | | |

| Bits | Description | Type | Reset |
|------|-------------------------------|------|-------|
| | 0x05 → SIO_22 | | |
| | 0x06 → PIO0_22 | | |
| | 0x07 → PIO1_22 | | |
| | 0x08 → PIO2_22 | | |
| | 0x09 → CLOCKS_GPIN_1 | | |
| | 0x0a → USB_MUXING_VBUS_DETECT | | |
| | 0x0b → UART1_TX | | |
| | 0x1f → NULL | | |

IO_BANK0: GPIO23_STATUS Register

Offset: 0x0b8

Table 696.
GPIO23_STATUS
Register

| Bits | Description | Type | Reset |
|-------|---|------|-------|
| 31:27 | Reserved. | - | - |
| 26 | IRQTOPROC : interrupt to processors, after override is applied | RO | 0x0 |
| 25:18 | Reserved. | - | - |
| 17 | INFROMPAD : input signal from pad, before filtering and override are applied | RO | 0x0 |
| 16:14 | Reserved. | - | - |
| 13 | OETOPAD : output enable to pad after register override is applied | RO | 0x0 |
| 12:10 | Reserved. | - | - |
| 9 | OUTTOPAD : output signal to pad after register override is applied | RO | 0x0 |
| 8:0 | Reserved. | - | - |

IO_BANK0: GPIO23_CTRL Register

Offset: 0x0bc

Table 697.
GPIO23_CTRL Register

| Bits | Description | Type | Reset |
|-------|---|------|-------|
| 31:30 | Reserved. | - | - |
| 29:28 | IRQOVER | RW | 0x0 |
| | Enumerated values: | | |
| | 0x0 → NORMAL: don't invert the interrupt | | |
| | 0x1 → INVERT: invert the interrupt | | |
| | 0x2 → LOW: drive interrupt low | | |
| | 0x3 → HIGH: drive interrupt high | | |
| 27:18 | Reserved. | - | - |
| 17:16 | INOVER | RW | 0x0 |
| | Enumerated values: | | |
| | 0x0 → NORMAL: don't invert the peri input | | |

| Bits | Description | Type | Reset |
|-------|---|------|-------|
| | 0x1 → INVERT: invert the peri input | | |
| | 0x2 → LOW: drive peri input low | | |
| | 0x3 → HIGH: drive peri input high | | |
| 15:14 | OEOVER | RW | 0x0 |
| | Enumerated values: | | |
| | 0x0 → NORMAL: drive output enable from peripheral signal selected by funcsel | | |
| | 0x1 → INVERT: drive output enable from inverse of peripheral signal selected by funcsel | | |
| | 0x2 → DISABLE: disable output | | |
| | 0x3 → ENABLE: enable output | | |
| 13:12 | OUTOVER | RW | 0x0 |
| | Enumerated values: | | |
| | 0x0 → NORMAL: drive output from peripheral signal selected by funcsel | | |
| | 0x1 → INVERT: drive output from inverse of peripheral signal selected by funcsel | | |
| | 0x2 → LOW: drive output low | | |
| | 0x3 → HIGH: drive output high | | |
| 11:5 | Reserved. | - | - |
| 4:0 | FUNCSEL : 0-31 → selects pin function according to the gpio table 31 == NULL | RW | 0x1f |
| | Enumerated values: | | |
| | 0x01 → SPI0_TX | | |
| | 0x02 → UART1_RTS | | |
| | 0x03 → I2C1_SCL | | |
| | 0x04 → PWM_B_3 | | |
| | 0x05 → SIO_23 | | |
| | 0x06 → PIO0_23 | | |
| | 0x07 → PIO1_23 | | |
| | 0x08 → PIO2_23 | | |
| | 0x09 → CLOCKS_GPOUT_1 | | |
| | 0x0a → USB_MUXING_VBUS_EN | | |
| | 0x0b → UART1_RX | | |
| | 0x1f → NULL | | |

IO_BANK0: GPIO24_STATUS Register

Offset: 0x0c0

Table 698.
GPIO24_STATUS
Register

| Bits | Description | Type | Reset |
|-------|---|------|-------|
| 31:27 | Reserved. | - | - |
| 26 | IRQTOPROC : interrupt to processors, after override is applied | RO | 0x0 |
| 25:18 | Reserved. | - | - |
| 17 | INFROMPAD : input signal from pad, before filtering and override are applied | RO | 0x0 |
| 16:14 | Reserved. | - | - |
| 13 | OETOPAD : output enable to pad after register override is applied | RO | 0x0 |
| 12:10 | Reserved. | - | - |
| 9 | OUTTOPAD : output signal to pad after register override is applied | RO | 0x0 |
| 8:0 | Reserved. | - | - |

IO_BANK0: GPIO24_CTRL Register

Offset: 0x0c4

Table 699.
GPIO24_CTRL Register

| Bits | Description | Type | Reset |
|-------|---|------|-------|
| 31:30 | Reserved. | - | - |
| 29:28 | IRQOVER | RW | 0x0 |
| | Enumerated values: | | |
| | 0x0 → NORMAL: don't invert the interrupt | | |
| | 0x1 → INVERT: invert the interrupt | | |
| | 0x2 → LOW: drive interrupt low | | |
| | 0x3 → HIGH: drive interrupt high | | |
| 27:18 | Reserved. | - | - |
| 17:16 | INOVER | RW | 0x0 |
| | Enumerated values: | | |
| | 0x0 → NORMAL: don't invert the peri input | | |
| | 0x1 → INVERT: invert the peri input | | |
| | 0x2 → LOW: drive peri input low | | |
| | 0x3 → HIGH: drive peri input high | | |
| 15:14 | OEOVER | RW | 0x0 |
| | Enumerated values: | | |
| | 0x0 → NORMAL: drive output enable from peripheral signal selected by funcsel | | |
| | 0x1 → INVERT: drive output enable from inverse of peripheral signal selected by funcsel | | |
| | 0x2 → DISABLE: disable output | | |
| | 0x3 → ENABLE: enable output | | |
| 13:12 | OUTOVER | RW | 0x0 |

| Bits | Description | Type | Reset |
|------|--|------|-------|
| | Enumerated values: | | |
| | 0x0 → NORMAL: drive output from peripheral signal selected by funcsel | | |
| | 0x1 → INVERT: drive output from inverse of peripheral signal selected by funcsel | | |
| | 0x2 → LOW: drive output low | | |
| | 0x3 → HIGH: drive output high | | |
| 11:5 | Reserved. | - | - |
| 4:0 | FUNCSEL : 0-31 → selects pin function according to the gpio table 31 == NULL | RW | 0x1f |
| | Enumerated values: | | |
| | 0x01 → SPI1_RX | | |
| | 0x02 → UART1_TX | | |
| | 0x03 → I2C0_SDA | | |
| | 0x04 → PWM_A_4 | | |
| | 0x05 → SIO_24 | | |
| | 0x06 → PIO0_24 | | |
| | 0x07 → PIO1_24 | | |
| | 0x08 → PIO2_24 | | |
| | 0x09 → CLOCKS_GPOUT_2 | | |
| | 0x0a → USB_MUXING_OVERCURRETECT | | |
| | 0x1f → NULL | | |

IO_BANK0: GPIO25_STATUS Register

Offset: 0x0c8

Table 700.
GPIO25_STATUS
Register

| Bits | Description | Type | Reset |
|-------|---|------|-------|
| 31:27 | Reserved. | - | - |
| 26 | IRQTOPROC : interrupt to processors, after override is applied | RO | 0x0 |
| 25:18 | Reserved. | - | - |
| 17 | INFROMPAD : input signal from pad, before filtering and override are applied | RO | 0x0 |
| 16:14 | Reserved. | - | - |
| 13 | OETOPAD : output enable to pad after register override is applied | RO | 0x0 |
| 12:10 | Reserved. | - | - |
| 9 | OUTTOPAD : output signal to pad after register override is applied | RO | 0x0 |
| 8:0 | Reserved. | - | - |

IO_BANK0: GPIO25_CTRL Register

Offset: 0x0cc

Table 701.
GPIO25_CTRL Register

| Bits | Description | Type | Reset |
|-------|---|------|-------|
| 31:30 | Reserved. | - | - |
| 29:28 | IRQOVER | RW | 0x0 |
| | Enumerated values: | | |
| | 0x0 → NORMAL: don't invert the interrupt | | |
| | 0x1 → INVERT: invert the interrupt | | |
| | 0x2 → LOW: drive interrupt low | | |
| | 0x3 → HIGH: drive interrupt high | | |
| 27:18 | Reserved. | - | - |
| 17:16 | INOVER | RW | 0x0 |
| | Enumerated values: | | |
| | 0x0 → NORMAL: don't invert the peri input | | |
| | 0x1 → INVERT: invert the peri input | | |
| | 0x2 → LOW: drive peri input low | | |
| | 0x3 → HIGH: drive peri input high | | |
| 15:14 | OEOVER | RW | 0x0 |
| | Enumerated values: | | |
| | 0x0 → NORMAL: drive output enable from peripheral signal selected by funcsel | | |
| | 0x1 → INVERT: drive output enable from inverse of peripheral signal selected by funcsel | | |
| | 0x2 → DISABLE: disable output | | |
| | 0x3 → ENABLE: enable output | | |
| 13:12 | OUTOVER | RW | 0x0 |
| | Enumerated values: | | |
| | 0x0 → NORMAL: drive output from peripheral signal selected by funcsel | | |
| | 0x1 → INVERT: drive output from inverse of peripheral signal selected by funcsel | | |
| | 0x2 → LOW: drive output low | | |
| | 0x3 → HIGH: drive output high | | |
| 11:5 | Reserved. | - | - |
| 4:0 | FUNCSEL : 0-31 → selects pin function according to the gpio table 31 == NULL | RW | 0x1f |
| | Enumerated values: | | |
| | 0x01 → SPI1_SS_N | | |
| | 0x02 → UART1_RX | | |
| | 0x03 → I2C0_SCL | | |
| | 0x04 → PWM_B_4 | | |

| Bits | Description | Type | Reset |
|------|-------------------------------|------|-------|
| | 0x05 → SIO_25 | | |
| | 0x06 → PIO0_25 | | |
| | 0x07 → PIO1_25 | | |
| | 0x08 → PIO2_25 | | |
| | 0x09 → CLOCKS_GPOUT_3 | | |
| | 0x0a → USB_MUXING_VBUS_DETECT | | |
| | 0x1f → NULL | | |

IO_BANK0: GPIO26_STATUS Register

Offset: 0x0d0

Table 702.
GPIO26_STATUS Register

| Bits | Description | Type | Reset |
|-------|---|------|-------|
| 31:27 | Reserved. | - | - |
| 26 | IRQTOPROC : interrupt to processors, after override is applied | RO | 0x0 |
| 25:18 | Reserved. | - | - |
| 17 | INFROMPAD : input signal from pad, before filtering and override are applied | RO | 0x0 |
| 16:14 | Reserved. | - | - |
| 13 | OETOPAD : output enable to pad after register override is applied | RO | 0x0 |
| 12:10 | Reserved. | - | - |
| 9 | OUTTOPAD : output signal to pad after register override is applied | RO | 0x0 |
| 8:0 | Reserved. | - | - |

IO_BANK0: GPIO26_CTRL Register

Offset: 0x0d4

Table 703.
GPIO26_CTRL Register

| Bits | Description | Type | Reset |
|-------|---|------|-------|
| 31:30 | Reserved. | - | - |
| 29:28 | IRQOVER | RW | 0x0 |
| | Enumerated values: | | |
| | 0x0 → NORMAL: don't invert the interrupt | | |
| | 0x1 → INVERT: invert the interrupt | | |
| | 0x2 → LOW: drive interrupt low | | |
| | 0x3 → HIGH: drive interrupt high | | |
| 27:18 | Reserved. | - | - |
| 17:16 | INOVER | RW | 0x0 |
| | Enumerated values: | | |
| | 0x0 → NORMAL: don't invert the peri input | | |
| | 0x1 → INVERT: invert the peri input | | |

| Bits | Description | Type | Reset |
|-------|---|------|-------|
| | 0x2 → LOW: drive peri input low | | |
| | 0x3 → HIGH: drive peri input high | | |
| 15:14 | OEOVER | RW | 0x0 |
| | Enumerated values: | | |
| | 0x0 → NORMAL: drive output enable from peripheral signal selected by funcsel | | |
| | 0x1 → INVERT: drive output enable from inverse of peripheral signal selected by funcsel | | |
| | 0x2 → DISABLE: disable output | | |
| | 0x3 → ENABLE: enable output | | |
| 13:12 | OUTOVER | RW | 0x0 |
| | Enumerated values: | | |
| | 0x0 → NORMAL: drive output from peripheral signal selected by funcsel | | |
| | 0x1 → INVERT: drive output from inverse of peripheral signal selected by funcsel | | |
| | 0x2 → LOW: drive output low | | |
| | 0x3 → HIGH: drive output high | | |
| 11:5 | Reserved. | - | - |
| 4:0 | FUNCSEL : 0-31 → selects pin function according to the gpio table 31 == NULL | RW | 0x1f |
| | Enumerated values: | | |
| | 0x01 → SPI1_SCLK | | |
| | 0x02 → UART1_CTS | | |
| | 0x03 → I2C1_SDA | | |
| | 0x04 → PWM_A_5 | | |
| | 0x05 → SIO_26 | | |
| | 0x06 → PIO0_26 | | |
| | 0x07 → PIO1_26 | | |
| | 0x08 → PIO2_26 | | |
| | 0x0a → USB_MUXING_VBUS_EN | | |
| | 0x0b → UART1_TX | | |
| | 0x1f → NULL | | |

IO_BANK0: GPIO27_STATUS Register

Offset: 0x0d8

Table 704.
GPIO27_STATUS
Register

| Bits | Description | Type | Reset |
|-------|-------------|------|-------|
| 31:27 | Reserved. | - | - |

| Bits | Description | Type | Reset |
|-------|---|------|-------|
| 26 | IRQTOPROC : interrupt to processors, after override is applied | RO | 0x0 |
| 25:18 | Reserved. | - | - |
| 17 | INFROMPAD : input signal from pad, before filtering and override are applied | RO | 0x0 |
| 16:14 | Reserved. | - | - |
| 13 | OETOPAD : output enable to pad after register override is applied | RO | 0x0 |
| 12:10 | Reserved. | - | - |
| 9 | OUTTOPAD : output signal to pad after register override is applied | RO | 0x0 |
| 8:0 | Reserved. | - | - |

IO_BANK0: GPIO27_CTRL Register

Offset: 0x0dc

Table 705.
GPIO27_CTRL Register

| Bits | Description | Type | Reset |
|-------|---|------|-------|
| 31:30 | Reserved. | - | - |
| 29:28 | IRQOVER | RW | 0x0 |
| | Enumerated values: | | |
| | 0x0 → NORMAL: don't invert the interrupt | | |
| | 0x1 → INVERT: invert the interrupt | | |
| | 0x2 → LOW: drive interrupt low | | |
| | 0x3 → HIGH: drive interrupt high | | |
| 27:18 | Reserved. | - | - |
| 17:16 | INOVER | RW | 0x0 |
| | Enumerated values: | | |
| | 0x0 → NORMAL: don't invert the peri input | | |
| | 0x1 → INVERT: invert the peri input | | |
| | 0x2 → LOW: drive peri input low | | |
| | 0x3 → HIGH: drive peri input high | | |
| 15:14 | OEOVER | RW | 0x0 |
| | Enumerated values: | | |
| | 0x0 → NORMAL: drive output enable from peripheral signal selected by funcsel | | |
| | 0x1 → INVERT: drive output enable from inverse of peripheral signal selected by funcsel | | |
| | 0x2 → DISABLE: disable output | | |
| | 0x3 → ENABLE: enable output | | |
| 13:12 | OUTOVER | RW | 0x0 |
| | Enumerated values: | | |

| Bits | Description | Type | Reset |
|------|--|------|-------|
| | 0x0 → NORMAL: drive output from peripheral signal selected by funcsel | | |
| | 0x1 → INVERT: drive output from inverse of peripheral signal selected by funcsel | | |
| | 0x2 → LOW: drive output low | | |
| | 0x3 → HIGH: drive output high | | |
| 11:5 | Reserved. | - | - |
| 4:0 | FUNCSEL : 0-31 → selects pin function according to the gpio table 31 == NULL | RW | 0x1f |
| | Enumerated values: | | |
| | 0x01 → SPI1_TX | | |
| | 0x02 → UART1_RTS | | |
| | 0x03 → I2C1_SCL | | |
| | 0x04 → PWM_B_5 | | |
| | 0x05 → SIO_27 | | |
| | 0x06 → PIO0_27 | | |
| | 0x07 → PIO1_27 | | |
| | 0x08 → PIO2_27 | | |
| | 0x0a → USB_MUXING_OVERCURRE_DETECT | | |
| | 0x0b → UART1_RX | | |
| | 0x1f → NULL | | |

IO_BANK0: GPIO28_STATUS Register

Offset: 0x0e0

Table 706.
GPIO28_STATUS
Register

| Bits | Description | Type | Reset |
|-------|---|------|-------|
| 31:27 | Reserved. | - | - |
| 26 | IRQTOPROC : interrupt to processors, after override is applied | RO | 0x0 |
| 25:18 | Reserved. | - | - |
| 17 | INFROMPAD : input signal from pad, before filtering and override are applied | RO | 0x0 |
| 16:14 | Reserved. | - | - |
| 13 | OETOPAD : output enable to pad after register override is applied | RO | 0x0 |
| 12:10 | Reserved. | - | - |
| 9 | OUTTOPAD : output signal to pad after register override is applied | RO | 0x0 |
| 8:0 | Reserved. | - | - |

IO_BANK0: GPIO28_CTRL Register

Offset: 0x0e4

Table 707.
GPIO28_CTRL Register

| Bits | Description | Type | Reset |
|-------|---|------|-------|
| 31:30 | Reserved. | - | - |
| 29:28 | IRQOVER | RW | 0x0 |
| | Enumerated values: | | |
| | 0x0 → NORMAL: don't invert the interrupt | | |
| | 0x1 → INVERT: invert the interrupt | | |
| | 0x2 → LOW: drive interrupt low | | |
| | 0x3 → HIGH: drive interrupt high | | |
| 27:18 | Reserved. | - | - |
| 17:16 | INOVER | RW | 0x0 |
| | Enumerated values: | | |
| | 0x0 → NORMAL: don't invert the peri input | | |
| | 0x1 → INVERT: invert the peri input | | |
| | 0x2 → LOW: drive peri input low | | |
| | 0x3 → HIGH: drive peri input high | | |
| 15:14 | OEOVER | RW | 0x0 |
| | Enumerated values: | | |
| | 0x0 → NORMAL: drive output enable from peripheral signal selected by funcsel | | |
| | 0x1 → INVERT: drive output enable from inverse of peripheral signal selected by funcsel | | |
| | 0x2 → DISABLE: disable output | | |
| | 0x3 → ENABLE: enable output | | |
| 13:12 | OUTOVER | RW | 0x0 |
| | Enumerated values: | | |
| | 0x0 → NORMAL: drive output from peripheral signal selected by funcsel | | |
| | 0x1 → INVERT: drive output from inverse of peripheral signal selected by funcsel | | |
| | 0x2 → LOW: drive output low | | |
| | 0x3 → HIGH: drive output high | | |
| 11:5 | Reserved. | - | - |
| 4:0 | FUNCSEL : 0-31 → selects pin function according to the gpio table 31 == NULL | RW | 0x1f |
| | Enumerated values: | | |
| | 0x01 → SPI1_RX | | |
| | 0x02 → UART0_TX | | |
| | 0x03 → I2C0_SDA | | |
| | 0x04 → PWM_A_6 | | |

| Bits | Description | Type | Reset |
|------|-------------------------------|------|-------|
| | 0x05 → SIO_28 | | |
| | 0x06 → PIO0_28 | | |
| | 0x07 → PIO1_28 | | |
| | 0x08 → PIO2_28 | | |
| | 0x0a → USB_MUXING_VBUS_DETECT | | |
| | 0x1f → NULL | | |

IO_BANK0: GPIO29_STATUS Register

Offset: 0x0e8

Table 708.
GPIO29_STATUS
Register

| Bits | Description | Type | Reset |
|-------|---|------|-------|
| 31:27 | Reserved. | - | - |
| 26 | IRQTOPROC : interrupt to processors, after override is applied | RO | 0x0 |
| 25:18 | Reserved. | - | - |
| 17 | INFROMPAD : input signal from pad, before filtering and override are applied | RO | 0x0 |
| 16:14 | Reserved. | - | - |
| 13 | OETOPAD : output enable to pad after register override is applied | RO | 0x0 |
| 12:10 | Reserved. | - | - |
| 9 | OUTTOPAD : output signal to pad after register override is applied | RO | 0x0 |
| 8:0 | Reserved. | - | - |

IO_BANK0: GPIO29_CTRL Register

Offset: 0x0ec

Table 709.
GPIO29_CTRL Register

| Bits | Description | Type | Reset |
|-------|---|------|-------|
| 31:30 | Reserved. | - | - |
| 29:28 | IRQOVER | RW | 0x0 |
| | Enumerated values: | | |
| | 0x0 → NORMAL: don't invert the interrupt | | |
| | 0x1 → INVERT: invert the interrupt | | |
| | 0x2 → LOW: drive interrupt low | | |
| | 0x3 → HIGH: drive interrupt high | | |
| 27:18 | Reserved. | - | - |
| 17:16 | INOVER | RW | 0x0 |
| | Enumerated values: | | |
| | 0x0 → NORMAL: don't invert the peri input | | |
| | 0x1 → INVERT: invert the peri input | | |
| | 0x2 → LOW: drive peri input low | | |

| Bits | Description | Type | Reset |
|-------|---|------|-------|
| | 0x3 → HIGH: drive peri input high | | |
| 15:14 | OEOVER | RW | 0x0 |
| | Enumerated values: | | |
| | 0x0 → NORMAL: drive output enable from peripheral signal selected by funcsel | | |
| | 0x1 → INVERT: drive output enable from inverse of peripheral signal selected by funcsel | | |
| | 0x2 → DISABLE: disable output | | |
| | 0x3 → ENABLE: enable output | | |
| 13:12 | OUTOVER | RW | 0x0 |
| | Enumerated values: | | |
| | 0x0 → NORMAL: drive output from peripheral signal selected by funcsel | | |
| | 0x1 → INVERT: drive output from inverse of peripheral signal selected by funcsel | | |
| | 0x2 → LOW: drive output low | | |
| | 0x3 → HIGH: drive output high | | |
| 11:5 | Reserved. | - | - |
| 4:0 | FUNCSEL : 0-31 → selects pin function according to the gpio table 31 == NULL | RW | 0x1f |
| | Enumerated values: | | |
| | 0x01 → SPI1_SS_N | | |
| | 0x02 → UART0_RX | | |
| | 0x03 → I2C0_SCL | | |
| | 0x04 → PWM_B_6 | | |
| | 0x05 → SIO_29 | | |
| | 0x06 → PIO0_29 | | |
| | 0x07 → PIO1_29 | | |
| | 0x08 → PIO2_29 | | |
| | 0x0a → USB_MUXING_VBUS_EN | | |
| | 0x1f → NULL | | |

IO_BANK0: GPIO30_STATUS Register

Offset: 0x0f0

Table 710.
GPIO30_STATUS
Register

| Bits | Description | Type | Reset |
|-------|---|------|-------|
| 31:27 | Reserved. | - | - |
| 26 | IRQTOPROC : interrupt to processors, after override is applied | RO | 0x0 |
| 25:18 | Reserved. | - | - |

| Bits | Description | Type | Reset |
|-------|--|------|-------|
| 17 | INFROPAD : input signal from pad, before filtering and override are applied | RO | 0x0 |
| 16:14 | Reserved. | - | - |
| 13 | OETOPAD : output enable to pad after register override is applied | RO | 0x0 |
| 12:10 | Reserved. | - | - |
| 9 | OUTTOPAD : output signal to pad after register override is applied | RO | 0x0 |
| 8:0 | Reserved. | - | - |

IO_BANK0: GPIO30_CTRL Register

Offset: 0x0f4

Table 711.
GPIO30_CTRL Register

| Bits | Description | Type | Reset |
|-------|---|------|-------|
| 31:30 | Reserved. | - | - |
| 29:28 | IRQOVER | RW | 0x0 |
| | Enumerated values: | | |
| | 0x0 → NORMAL: don't invert the interrupt | | |
| | 0x1 → INVERT: invert the interrupt | | |
| | 0x2 → LOW: drive interrupt low | | |
| | 0x3 → HIGH: drive interrupt high | | |
| 27:18 | Reserved. | - | - |
| 17:16 | INOVER | RW | 0x0 |
| | Enumerated values: | | |
| | 0x0 → NORMAL: don't invert the peri input | | |
| | 0x1 → INVERT: invert the peri input | | |
| | 0x2 → LOW: drive peri input low | | |
| | 0x3 → HIGH: drive peri input high | | |
| 15:14 | OEOVER | RW | 0x0 |
| | Enumerated values: | | |
| | 0x0 → NORMAL: drive output enable from peripheral signal selected by funcsel | | |
| | 0x1 → INVERT: drive output enable from inverse of peripheral signal selected by funcsel | | |
| | 0x2 → DISABLE: disable output | | |
| | 0x3 → ENABLE: enable output | | |
| 13:12 | OUTOVER | RW | 0x0 |
| | Enumerated values: | | |
| | 0x0 → NORMAL: drive output from peripheral signal selected by funcsel | | |

| Bits | Description | Type | Reset |
|------|--|------|-------|
| | 0x1 → INVERT: drive output from inverse of peripheral signal selected by funcsel | | |
| | 0x2 → LOW: drive output low | | |
| | 0x3 → HIGH: drive output high | | |
| 11:5 | Reserved. | - | - |
| 4:0 | FUNCSEL : 0-31 → selects pin function according to the gpio table 31 == NULL | RW | 0x1f |
| | Enumerated values: | | |
| | 0x01 → SPI1_SCLK | | |
| | 0x02 → UART0_CTS | | |
| | 0x03 → I2C1_SDA | | |
| | 0x04 → PWM_A_7 | | |
| | 0x05 → SIO_30 | | |
| | 0x06 → PIO0_30 | | |
| | 0x07 → PIO1_30 | | |
| | 0x08 → PIO2_30 | | |
| | 0x0a → USB_MUXING_OVERCURRETECT | | |
| | 0x0b → UART0_TX | | |
| | 0x1f → NULL | | |

IO_BANK0: GPIO31_STATUS Register

Offset: 0x0f8

Table 712.
GPIO31_STATUS
Register

| Bits | Description | Type | Reset |
|-------|--|------|-------|
| 31:27 | Reserved. | - | - |
| 26 | IRQTOPROC : interrupt to processors, after override is applied | RO | 0x0 |
| 25:18 | Reserved. | - | - |
| 17 | INFROPAD : input signal from pad, before filtering and override are applied | RO | 0x0 |
| 16:14 | Reserved. | - | - |
| 13 | OETOPAD : output enable to pad after register override is applied | RO | 0x0 |
| 12:10 | Reserved. | - | - |
| 9 | OUTTOPAD : output signal to pad after register override is applied | RO | 0x0 |
| 8:0 | Reserved. | - | - |

IO_BANK0: GPIO31_CTRL Register

Offset: 0x0fc

Table 713.
GPIO31_CTRL Register

| Bits | Description | Type | Reset |
|-------|---|------|-------|
| 31:30 | Reserved. | - | - |
| 29:28 | IRQOVER | RW | 0x0 |
| | Enumerated values: | | |
| | 0x0 → NORMAL: don't invert the interrupt | | |
| | 0x1 → INVERT: invert the interrupt | | |
| | 0x2 → LOW: drive interrupt low | | |
| | 0x3 → HIGH: drive interrupt high | | |
| 27:18 | Reserved. | - | - |
| 17:16 | INOVER | RW | 0x0 |
| | Enumerated values: | | |
| | 0x0 → NORMAL: don't invert the peri input | | |
| | 0x1 → INVERT: invert the peri input | | |
| | 0x2 → LOW: drive peri input low | | |
| | 0x3 → HIGH: drive peri input high | | |
| 15:14 | OEOVER | RW | 0x0 |
| | Enumerated values: | | |
| | 0x0 → NORMAL: drive output enable from peripheral signal selected by funcsel | | |
| | 0x1 → INVERT: drive output enable from inverse of peripheral signal selected by funcsel | | |
| | 0x2 → DISABLE: disable output | | |
| | 0x3 → ENABLE: enable output | | |
| 13:12 | OUTOVER | RW | 0x0 |
| | Enumerated values: | | |
| | 0x0 → NORMAL: drive output from peripheral signal selected by funcsel | | |
| | 0x1 → INVERT: drive output from inverse of peripheral signal selected by funcsel | | |
| | 0x2 → LOW: drive output low | | |
| | 0x3 → HIGH: drive output high | | |
| 11:5 | Reserved. | - | - |
| 4:0 | FUNCSEL : 0-31 → selects pin function according to the gpio table 31 == NULL | RW | 0x1f |
| | Enumerated values: | | |
| | 0x01 → SPI1_TX | | |
| | 0x02 → UART0_RTS | | |
| | 0x03 → I2C1_SCL | | |
| | 0x04 → PWM_B_7 | | |

| Bits | Description | Type | Reset |
|------|-------------------------------|------|-------|
| | 0x05 → SIO_31 | | |
| | 0x06 → PIO0_31 | | |
| | 0x07 → PIO1_31 | | |
| | 0x08 → PIO2_31 | | |
| | 0x0a → USB_MUXING_VBUS_DETECT | | |
| | 0x0b → UART0_RX | | |
| | 0x1f → NULL | | |

IO_BANK0: GPIO32_STATUS Register

Offset: 0x100

Table 714.
GPIO32_STATUS
Register

| Bits | Description | Type | Reset |
|-------|---|------|-------|
| 31:27 | Reserved. | - | - |
| 26 | IRQTOPROC : interrupt to processors, after override is applied | RO | 0x0 |
| 25:18 | Reserved. | - | - |
| 17 | INFROMPAD : input signal from pad, before filtering and override are applied | RO | 0x0 |
| 16:14 | Reserved. | - | - |
| 13 | OETOPAD : output enable to pad after register override is applied | RO | 0x0 |
| 12:10 | Reserved. | - | - |
| 9 | OUTTOPAD : output signal to pad after register override is applied | RO | 0x0 |
| 8:0 | Reserved. | - | - |

IO_BANK0: GPIO32_CTRL Register

Offset: 0x104

Table 715.
GPIO32_CTRL Register

| Bits | Description | Type | Reset |
|-------|---|------|-------|
| 31:30 | Reserved. | - | - |
| 29:28 | IRQOVER | RW | 0x0 |
| | Enumerated values: | | |
| | 0x0 → NORMAL: don't invert the interrupt | | |
| | 0x1 → INVERT: invert the interrupt | | |
| | 0x2 → LOW: drive interrupt low | | |
| | 0x3 → HIGH: drive interrupt high | | |
| 27:18 | Reserved. | - | - |
| 17:16 | INOVER | RW | 0x0 |
| | Enumerated values: | | |
| | 0x0 → NORMAL: don't invert the peri input | | |
| | 0x1 → INVERT: invert the peri input | | |

| Bits | Description | Type | Reset |
|-------|---|------|-------|
| | 0x2 → LOW: drive peri input low | | |
| | 0x3 → HIGH: drive peri input high | | |
| 15:14 | OEOVER | RW | 0x0 |
| | Enumerated values: | | |
| | 0x0 → NORMAL: drive output enable from peripheral signal selected by funcsel | | |
| | 0x1 → INVERT: drive output enable from inverse of peripheral signal selected by funcsel | | |
| | 0x2 → DISABLE: disable output | | |
| | 0x3 → ENABLE: enable output | | |
| 13:12 | OUTOVER | RW | 0x0 |
| | Enumerated values: | | |
| | 0x0 → NORMAL: drive output from peripheral signal selected by funcsel | | |
| | 0x1 → INVERT: drive output from inverse of peripheral signal selected by funcsel | | |
| | 0x2 → LOW: drive output low | | |
| | 0x3 → HIGH: drive output high | | |
| 11:5 | Reserved. | - | - |
| 4:0 | FUNCSEL : 0-31 → selects pin function according to the gpio table 31 == NULL | RW | 0x1f |
| | Enumerated values: | | |
| | 0x01 → SPI0_RX | | |
| | 0x02 → UART0_TX | | |
| | 0x03 → I2C0_SDA | | |
| | 0x04 → PWM_A_8 | | |
| | 0x05 → SIO_32 | | |
| | 0x06 → PIO0_32 | | |
| | 0x07 → PIO1_32 | | |
| | 0x08 → PIO2_32 | | |
| | 0x0a → USB_MUXING_VBUS_EN | | |
| | 0x1f → NULL | | |

IO_BANK0: GPIO33_STATUS Register

Offset: 0x108

Table 716.
GPIO33_STATUS
Register

| Bits | Description | Type | Reset |
|-------|---|------|-------|
| 31:27 | Reserved. | - | - |
| 26 | IRQTOPROC : interrupt to processors, after override is applied | RO | 0x0 |

| Bits | Description | Type | Reset |
|-------|---|------|-------|
| 25:18 | Reserved. | - | - |
| 17 | INFROMPAD : input signal from pad, before filtering and override are applied | RO | 0x0 |
| 16:14 | Reserved. | - | - |
| 13 | OETOPAD : output enable to pad after register override is applied | RO | 0x0 |
| 12:10 | Reserved. | - | - |
| 9 | OUTTOPAD : output signal to pad after register override is applied | RO | 0x0 |
| 8:0 | Reserved. | - | - |

IO_BANK0: GPIO33_CTRL Register

Offset: 0x10c

Table 717.
GPIO33_CTRL Register

| Bits | Description | Type | Reset |
|-------|---|------|-------|
| 31:30 | Reserved. | - | - |
| 29:28 | IRQOVER | RW | 0x0 |
| | Enumerated values: | | |
| | 0x0 → NORMAL: don't invert the interrupt | | |
| | 0x1 → INVERT: invert the interrupt | | |
| | 0x2 → LOW: drive interrupt low | | |
| | 0x3 → HIGH: drive interrupt high | | |
| 27:18 | Reserved. | - | - |
| 17:16 | INOVER | RW | 0x0 |
| | Enumerated values: | | |
| | 0x0 → NORMAL: don't invert the peri input | | |
| | 0x1 → INVERT: invert the peri input | | |
| | 0x2 → LOW: drive peri input low | | |
| | 0x3 → HIGH: drive peri input high | | |
| 15:14 | OEOVER | RW | 0x0 |
| | Enumerated values: | | |
| | 0x0 → NORMAL: drive output enable from peripheral signal selected by funcsel | | |
| | 0x1 → INVERT: drive output enable from inverse of peripheral signal selected by funcsel | | |
| | 0x2 → DISABLE: disable output | | |
| | 0x3 → ENABLE: enable output | | |
| 13:12 | OUTOVER | RW | 0x0 |
| | Enumerated values: | | |
| | 0x0 → NORMAL: drive output from peripheral signal selected by funcsel | | |

| Bits | Description | Type | Reset |
|------|--|------|-------|
| | 0x1 → INVERT: drive output from inverse of peripheral signal selected by funcsel | | |
| | 0x2 → LOW: drive output low | | |
| | 0x3 → HIGH: drive output high | | |
| 11:5 | Reserved. | - | - |
| 4:0 | FUNCSEL : 0-31 → selects pin function according to the gpio table 31 == NULL | RW | 0x1f |
| | Enumerated values: | | |
| | 0x01 → SPI0_SS_N | | |
| | 0x02 → UART0_RX | | |
| | 0x03 → I2C0_SCL | | |
| | 0x04 → PWM_B_8 | | |
| | 0x05 → SIO_33 | | |
| | 0x06 → PIO0_33 | | |
| | 0x07 → PIO1_33 | | |
| | 0x08 → PIO2_33 | | |
| | 0x0a → USB_MUXING_OVERCURRETECT | | |
| | 0x1f → NULL | | |

IO_BANK0: GPIO34_STATUS Register

Offset: 0x110

Table 718.
GPIO34_STATUS
Register

| Bits | Description | Type | Reset |
|-------|---|------|-------|
| 31:27 | Reserved. | - | - |
| 26 | IRQTOPROC : interrupt to processors, after override is applied | RO | 0x0 |
| 25:18 | Reserved. | - | - |
| 17 | INFROMPAD : input signal from pad, before filtering and override are applied | RO | 0x0 |
| 16:14 | Reserved. | - | - |
| 13 | OETOPAD : output enable to pad after register override is applied | RO | 0x0 |
| 12:10 | Reserved. | - | - |
| 9 | OUTTOPAD : output signal to pad after register override is applied | RO | 0x0 |
| 8:0 | Reserved. | - | - |

IO_BANK0: GPIO34_CTRL Register

Offset: 0x114

Table 719.
GPIO34_CTRL Register

| Bits | Description | Type | Reset |
|-------|-------------|------|-------|
| 31:30 | Reserved. | - | - |

| Bits | Description | Type | Reset |
|-------|---|------|-------|
| 29:28 | IRQOVER | RW | 0x0 |
| | Enumerated values: | | |
| | 0x0 → NORMAL: don't invert the interrupt | | |
| | 0x1 → INVERT: invert the interrupt | | |
| | 0x2 → LOW: drive interrupt low | | |
| | 0x3 → HIGH: drive interrupt high | | |
| 27:18 | Reserved. | - | - |
| 17:16 | INOVER | RW | 0x0 |
| | Enumerated values: | | |
| | 0x0 → NORMAL: don't invert the peri input | | |
| | 0x1 → INVERT: invert the peri input | | |
| | 0x2 → LOW: drive peri input low | | |
| | 0x3 → HIGH: drive peri input high | | |
| 15:14 | OEOVER | RW | 0x0 |
| | Enumerated values: | | |
| | 0x0 → NORMAL: drive output enable from peripheral signal selected by funcsel | | |
| | 0x1 → INVERT: drive output enable from inverse of peripheral signal selected by funcsel | | |
| | 0x2 → DISABLE: disable output | | |
| | 0x3 → ENABLE: enable output | | |
| 13:12 | OUTOVER | RW | 0x0 |
| | Enumerated values: | | |
| | 0x0 → NORMAL: drive output from peripheral signal selected by funcsel | | |
| | 0x1 → INVERT: drive output from inverse of peripheral signal selected by funcsel | | |
| | 0x2 → LOW: drive output low | | |
| | 0x3 → HIGH: drive output high | | |
| 11:5 | Reserved. | - | - |
| 4:0 | FUNCSEL : 0-31 → selects pin function according to the gpio table 31 == NULL | RW | 0x1f |
| | Enumerated values: | | |
| | 0x01 → SPI0_SCLK | | |
| | 0x02 → UART0_CTS | | |
| | 0x03 → I2C1_SDA | | |
| | 0x04 → PWM_A_9 | | |
| | 0x05 → SIO_34 | | |

| Bits | Description | Type | Reset |
|------|-------------------------------|------|-------|
| | 0x06 → PIO0_34 | | |
| | 0x07 → PIO1_34 | | |
| | 0x08 → PIO2_34 | | |
| | 0x0a → USB_MUXING_VBUS_DETECT | | |
| | 0x0b → UART0_TX | | |
| | 0x1f → NULL | | |

IO_BANK0: GPIO35_STATUS Register

Offset: 0x118

Table 720.
GPIO35_STATUS
Register

| Bits | Description | Type | Reset |
|-------|---|------|-------|
| 31:27 | Reserved. | - | - |
| 26 | IRQTOPROC : interrupt to processors, after override is applied | RO | 0x0 |
| 25:18 | Reserved. | - | - |
| 17 | INFROMPAD : input signal from pad, before filtering and override are applied | RO | 0x0 |
| 16:14 | Reserved. | - | - |
| 13 | OETOPAD : output enable to pad after register override is applied | RO | 0x0 |
| 12:10 | Reserved. | - | - |
| 9 | OUTTOPAD : output signal to pad after register override is applied | RO | 0x0 |
| 8:0 | Reserved. | - | - |

IO_BANK0: GPIO35_CTRL Register

Offset: 0x11c

Table 721.
GPIO35_CTRL Register

| Bits | Description | Type | Reset |
|-------|---|------|-------|
| 31:30 | Reserved. | - | - |
| 29:28 | IRQOVER | RW | 0x0 |
| | Enumerated values: | | |
| | 0x0 → NORMAL: don't invert the interrupt | | |
| | 0x1 → INVERT: invert the interrupt | | |
| | 0x2 → LOW: drive interrupt low | | |
| | 0x3 → HIGH: drive interrupt high | | |
| 27:18 | Reserved. | - | - |
| 17:16 | INOVER | RW | 0x0 |
| | Enumerated values: | | |
| | 0x0 → NORMAL: don't invert the peri input | | |
| | 0x1 → INVERT: invert the peri input | | |
| | 0x2 → LOW: drive peri input low | | |

| Bits | Description | Type | Reset |
|-------|---|------|-------|
| | 0x3 → HIGH: drive peri input high | | |
| 15:14 | OEOVER | RW | 0x0 |
| | Enumerated values: | | |
| | 0x0 → NORMAL: drive output enable from peripheral signal selected by funcsel | | |
| | 0x1 → INVERT: drive output enable from inverse of peripheral signal selected by funcsel | | |
| | 0x2 → DISABLE: disable output | | |
| | 0x3 → ENABLE: enable output | | |
| 13:12 | OUTOVER | RW | 0x0 |
| | Enumerated values: | | |
| | 0x0 → NORMAL: drive output from peripheral signal selected by funcsel | | |
| | 0x1 → INVERT: drive output from inverse of peripheral signal selected by funcsel | | |
| | 0x2 → LOW: drive output low | | |
| | 0x3 → HIGH: drive output high | | |
| 11:5 | Reserved. | - | - |
| 4:0 | FUNCSEL : 0-31 → selects pin function according to the gpio table 31 == NULL | RW | 0x1f |
| | Enumerated values: | | |
| | 0x01 → SPI0_TX | | |
| | 0x02 → UART0_RTS | | |
| | 0x03 → I2C1_SCL | | |
| | 0x04 → PWM_B_9 | | |
| | 0x05 → SIO_35 | | |
| | 0x06 → PIO0_35 | | |
| | 0x07 → PIO1_35 | | |
| | 0x08 → PIO2_35 | | |
| | 0x0a → USB_MUXING_VBUS_EN | | |
| | 0x0b → UART0_RX | | |
| | 0x1f → NULL | | |

IO_BANK0: GPIO36_STATUS Register

Offset: 0x120

Table 722.
GPIO36_STATUS
Register

| Bits | Description | Type | Reset |
|-------|---|------|-------|
| 31:27 | Reserved. | - | - |
| 26 | IRQTOPROC : interrupt to processors, after override is applied | RO | 0x0 |

| Bits | Description | Type | Reset |
|-------|---|------|-------|
| 25:18 | Reserved. | - | - |
| 17 | INFROMPAD : input signal from pad, before filtering and override are applied | RO | 0x0 |
| 16:14 | Reserved. | - | - |
| 13 | OETOPAD : output enable to pad after register override is applied | RO | 0x0 |
| 12:10 | Reserved. | - | - |
| 9 | OUTTOPAD : output signal to pad after register override is applied | RO | 0x0 |
| 8:0 | Reserved. | - | - |

IO_BANK0: GPIO36_CTRL Register

Offset: 0x124

Table 723.
GPIO36_CTRL Register

| Bits | Description | Type | Reset |
|-------|---|------|-------|
| 31:30 | Reserved. | - | - |
| 29:28 | IRQOVER | RW | 0x0 |
| | Enumerated values: | | |
| | 0x0 → NORMAL: don't invert the interrupt | | |
| | 0x1 → INVERT: invert the interrupt | | |
| | 0x2 → LOW: drive interrupt low | | |
| | 0x3 → HIGH: drive interrupt high | | |
| 27:18 | Reserved. | - | - |
| 17:16 | INOVER | RW | 0x0 |
| | Enumerated values: | | |
| | 0x0 → NORMAL: don't invert the peri input | | |
| | 0x1 → INVERT: invert the peri input | | |
| | 0x2 → LOW: drive peri input low | | |
| | 0x3 → HIGH: drive peri input high | | |
| 15:14 | OEOVER | RW | 0x0 |
| | Enumerated values: | | |
| | 0x0 → NORMAL: drive output enable from peripheral signal selected by funcsel | | |
| | 0x1 → INVERT: drive output enable from inverse of peripheral signal selected by funcsel | | |
| | 0x2 → DISABLE: disable output | | |
| | 0x3 → ENABLE: enable output | | |
| 13:12 | OUTOVER | RW | 0x0 |
| | Enumerated values: | | |
| | 0x0 → NORMAL: drive output from peripheral signal selected by funcsel | | |

| Bits | Description | Type | Reset |
|------|--|------|-------|
| | 0x1 → INVERT: drive output from inverse of peripheral signal selected by funcsel | | |
| | 0x2 → LOW: drive output low | | |
| | 0x3 → HIGH: drive output high | | |
| 11:5 | Reserved. | - | - |
| 4:0 | FUNCSEL : 0-31 → selects pin function according to the gpio table 31 == NULL | RW | 0x1f |
| | Enumerated values: | | |
| | 0x01 → SPI0_RX | | |
| | 0x02 → UART1_TX | | |
| | 0x03 → I2C0_SDA | | |
| | 0x04 → PWM_A_10 | | |
| | 0x05 → SIO_36 | | |
| | 0x06 → PIO0_36 | | |
| | 0x07 → PIO1_36 | | |
| | 0x08 → PIO2_36 | | |
| | 0x0a → USB_MUXING_OVERCURR_DETECT | | |
| | 0x1f → NULL | | |

IO_BANK0: GPIO37_STATUS Register

Offset: 0x128

Table 724.
GPIO37_STATUS
Register

| Bits | Description | Type | Reset |
|-------|---|------|-------|
| 31:27 | Reserved. | - | - |
| 26 | IRQTOPROC : interrupt to processors, after override is applied | RO | 0x0 |
| 25:18 | Reserved. | - | - |
| 17 | INFROMPAD : input signal from pad, before filtering and override are applied | RO | 0x0 |
| 16:14 | Reserved. | - | - |
| 13 | OETOPAD : output enable to pad after register override is applied | RO | 0x0 |
| 12:10 | Reserved. | - | - |
| 9 | OUTTOPAD : output signal to pad after register override is applied | RO | 0x0 |
| 8:0 | Reserved. | - | - |

IO_BANK0: GPIO37_CTRL Register

Offset: 0x12c

Table 725.
GPIO37_CTRL Register

| Bits | Description | Type | Reset |
|-------|-------------|------|-------|
| 31:30 | Reserved. | - | - |

| Bits | Description | Type | Reset |
|-------|---|------|-------|
| 29:28 | IRQOVER | RW | 0x0 |
| | Enumerated values: | | |
| | 0x0 → NORMAL: don't invert the interrupt | | |
| | 0x1 → INVERT: invert the interrupt | | |
| | 0x2 → LOW: drive interrupt low | | |
| | 0x3 → HIGH: drive interrupt high | | |
| 27:18 | Reserved. | - | - |
| 17:16 | INOVER | RW | 0x0 |
| | Enumerated values: | | |
| | 0x0 → NORMAL: don't invert the peri input | | |
| | 0x1 → INVERT: invert the peri input | | |
| | 0x2 → LOW: drive peri input low | | |
| | 0x3 → HIGH: drive peri input high | | |
| 15:14 | OEOVER | RW | 0x0 |
| | Enumerated values: | | |
| | 0x0 → NORMAL: drive output enable from peripheral signal selected by funcsel | | |
| | 0x1 → INVERT: drive output enable from inverse of peripheral signal selected by funcsel | | |
| | 0x2 → DISABLE: disable output | | |
| | 0x3 → ENABLE: enable output | | |
| 13:12 | OUTOVER | RW | 0x0 |
| | Enumerated values: | | |
| | 0x0 → NORMAL: drive output from peripheral signal selected by funcsel | | |
| | 0x1 → INVERT: drive output from inverse of peripheral signal selected by funcsel | | |
| | 0x2 → LOW: drive output low | | |
| | 0x3 → HIGH: drive output high | | |
| 11:5 | Reserved. | - | - |
| 4:0 | FUNCSEL : 0-31 → selects pin function according to the gpio table 31 == NULL | RW | 0x1f |
| | Enumerated values: | | |
| | 0x01 → SPI0_SS_N | | |
| | 0x02 → UART1_RX | | |
| | 0x03 → I2C0_SCL | | |
| | 0x04 → PWM_B_10 | | |
| | 0x05 → SIO_37 | | |

| Bits | Description | Type | Reset |
|------|-------------------------------|------|-------|
| | 0x06 → PIO0_37 | | |
| | 0x07 → PIO1_37 | | |
| | 0x08 → PIO2_37 | | |
| | 0x0a → USB_MUXING_VBUS_DETECT | | |
| | 0x1f → NULL | | |

IO_BANK0: GPIO38_STATUS Register

Offset: 0x130

Table 726.
GPIO38_STATUS
Register

| Bits | Description | Type | Reset |
|-------|---|------|-------|
| 31:27 | Reserved. | - | - |
| 26 | IRQTOPROC : interrupt to processors, after override is applied | RO | 0x0 |
| 25:18 | Reserved. | - | - |
| 17 | INFROMPAD : input signal from pad, before filtering and override are applied | RO | 0x0 |
| 16:14 | Reserved. | - | - |
| 13 | OETOPAD : output enable to pad after register override is applied | RO | 0x0 |
| 12:10 | Reserved. | - | - |
| 9 | OUTTOPAD : output signal to pad after register override is applied | RO | 0x0 |
| 8:0 | Reserved. | - | - |

IO_BANK0: GPIO38_CTRL Register

Offset: 0x134

Table 727.
GPIO38_CTRL Register

| Bits | Description | Type | Reset |
|-------|---|------|-------|
| 31:30 | Reserved. | - | - |
| 29:28 | IRQOVER | RW | 0x0 |
| | Enumerated values: | | |
| | 0x0 → NORMAL: don't invert the interrupt | | |
| | 0x1 → INVERT: invert the interrupt | | |
| | 0x2 → LOW: drive interrupt low | | |
| | 0x3 → HIGH: drive interrupt high | | |
| 27:18 | Reserved. | - | - |
| 17:16 | INOVER | RW | 0x0 |
| | Enumerated values: | | |
| | 0x0 → NORMAL: don't invert the peri input | | |
| | 0x1 → INVERT: invert the peri input | | |
| | 0x2 → LOW: drive peri input low | | |
| | 0x3 → HIGH: drive peri input high | | |

| Bits | Description | Type | Reset |
|-------|---|------|-------|
| 15:14 | OEOVER | RW | 0x0 |
| | Enumerated values: | | |
| | 0x0 → NORMAL: drive output enable from peripheral signal selected by funcsel | | |
| | 0x1 → INVERT: drive output enable from inverse of peripheral signal selected by funcsel | | |
| | 0x2 → DISABLE: disable output | | |
| | 0x3 → ENABLE: enable output | | |
| 13:12 | OUTOVER | RW | 0x0 |
| | Enumerated values: | | |
| | 0x0 → NORMAL: drive output from peripheral signal selected by funcsel | | |
| | 0x1 → INVERT: drive output from inverse of peripheral signal selected by funcsel | | |
| | 0x2 → LOW: drive output low | | |
| | 0x3 → HIGH: drive output high | | |
| 11:5 | Reserved. | - | - |
| 4:0 | FUNCSEL : 0-31 → selects pin function according to the gpio table 31 == NULL | RW | 0x1f |
| | Enumerated values: | | |
| | 0x01 → SPI0_SCLK | | |
| | 0x02 → UART1_CTS | | |
| | 0x03 → I2C1_SDA | | |
| | 0x04 → PWM_A_11 | | |
| | 0x05 → SIO_38 | | |
| | 0x06 → PIO0_38 | | |
| | 0x07 → PIO1_38 | | |
| | 0x08 → PIO2_38 | | |
| | 0x0a → USB_MUXING_VBUS_EN | | |
| | 0x0b → UART1_TX | | |
| | 0x1f → NULL | | |

IO_BANK0: GPIO39_STATUS Register

Offset: 0x138

Table 728.
GPIO39_STATUS
Register

| Bits | Description | Type | Reset |
|-------|---|------|-------|
| 31:27 | Reserved. | - | - |
| 26 | IRQTOPROC : interrupt to processors, after override is applied | RO | 0x0 |
| 25:18 | Reserved. | - | - |

| Bits | Description | Type | Reset |
|-------|--|------|-------|
| 17 | INFROPAD : input signal from pad, before filtering and override are applied | RO | 0x0 |
| 16:14 | Reserved. | - | - |
| 13 | OETOPAD : output enable to pad after register override is applied | RO | 0x0 |
| 12:10 | Reserved. | - | - |
| 9 | OUTTOPAD : output signal to pad after register override is applied | RO | 0x0 |
| 8:0 | Reserved. | - | - |

IO_BANK0: GPIO39_CTRL Register

Offset: 0x13c

Table 729.
GPIO39_CTRL Register

| Bits | Description | Type | Reset |
|-------|---|------|-------|
| 31:30 | Reserved. | - | - |
| 29:28 | IRQOVER | RW | 0x0 |
| | Enumerated values: | | |
| | 0x0 → NORMAL: don't invert the interrupt | | |
| | 0x1 → INVERT: invert the interrupt | | |
| | 0x2 → LOW: drive interrupt low | | |
| | 0x3 → HIGH: drive interrupt high | | |
| 27:18 | Reserved. | - | - |
| 17:16 | INOVER | RW | 0x0 |
| | Enumerated values: | | |
| | 0x0 → NORMAL: don't invert the peri input | | |
| | 0x1 → INVERT: invert the peri input | | |
| | 0x2 → LOW: drive peri input low | | |
| | 0x3 → HIGH: drive peri input high | | |
| 15:14 | OEOVER | RW | 0x0 |
| | Enumerated values: | | |
| | 0x0 → NORMAL: drive output enable from peripheral signal selected by funcsel | | |
| | 0x1 → INVERT: drive output enable from inverse of peripheral signal selected by funcsel | | |
| | 0x2 → DISABLE: disable output | | |
| | 0x3 → ENABLE: enable output | | |
| 13:12 | OUTOVER | RW | 0x0 |
| | Enumerated values: | | |
| | 0x0 → NORMAL: drive output from peripheral signal selected by funcsel | | |

| Bits | Description | Type | Reset |
|------|--|------|-------|
| | 0x1 → INVERT: drive output from inverse of peripheral signal selected by funcsel | | |
| | 0x2 → LOW: drive output low | | |
| | 0x3 → HIGH: drive output high | | |
| 11:5 | Reserved. | - | - |
| 4:0 | FUNCSEL : 0-31 → selects pin function according to the gpio table 31 == NULL | RW | 0x1f |
| | Enumerated values: | | |
| | 0x01 → SPI0_TX | | |
| | 0x02 → UART1_RTS | | |
| | 0x03 → I2C1_SCL | | |
| | 0x04 → PWM_B_11 | | |
| | 0x05 → SIO_39 | | |
| | 0x06 → PIO0_39 | | |
| | 0x07 → PIO1_39 | | |
| | 0x08 → PIO2_39 | | |
| | 0x0a → USB_MUXING_OVERCURRETECT | | |
| | 0x0b → UART1_RX | | |
| | 0x1f → NULL | | |

IO_BANK0: GPIO40_STATUS Register

Offset: 0x140

Table 730.
GPIO40_STATUS
Register

| Bits | Description | Type | Reset |
|-------|--|------|-------|
| 31:27 | Reserved. | - | - |
| 26 | IRQTOPROC : interrupt to processors, after override is applied | RO | 0x0 |
| 25:18 | Reserved. | - | - |
| 17 | INFROPAD : input signal from pad, before filtering and override are applied | RO | 0x0 |
| 16:14 | Reserved. | - | - |
| 13 | OETOPAD : output enable to pad after register override is applied | RO | 0x0 |
| 12:10 | Reserved. | - | - |
| 9 | OUTTOPAD : output signal to pad after register override is applied | RO | 0x0 |
| 8:0 | Reserved. | - | - |

IO_BANK0: GPIO40_CTRL Register

Offset: 0x144

Table 731.
GPIO40_CTRL Register

| Bits | Description | Type | Reset |
|-------|---|------|-------|
| 31:30 | Reserved. | - | - |
| 29:28 | IRQOVER | RW | 0x0 |
| | Enumerated values: | | |
| | 0x0 → NORMAL: don't invert the interrupt | | |
| | 0x1 → INVERT: invert the interrupt | | |
| | 0x2 → LOW: drive interrupt low | | |
| | 0x3 → HIGH: drive interrupt high | | |
| 27:18 | Reserved. | - | - |
| 17:16 | INOVER | RW | 0x0 |
| | Enumerated values: | | |
| | 0x0 → NORMAL: don't invert the peri input | | |
| | 0x1 → INVERT: invert the peri input | | |
| | 0x2 → LOW: drive peri input low | | |
| | 0x3 → HIGH: drive peri input high | | |
| 15:14 | OEOVER | RW | 0x0 |
| | Enumerated values: | | |
| | 0x0 → NORMAL: drive output enable from peripheral signal selected by funcsel | | |
| | 0x1 → INVERT: drive output enable from inverse of peripheral signal selected by funcsel | | |
| | 0x2 → DISABLE: disable output | | |
| | 0x3 → ENABLE: enable output | | |
| 13:12 | OUTOVER | RW | 0x0 |
| | Enumerated values: | | |
| | 0x0 → NORMAL: drive output from peripheral signal selected by funcsel | | |
| | 0x1 → INVERT: drive output from inverse of peripheral signal selected by funcsel | | |
| | 0x2 → LOW: drive output low | | |
| | 0x3 → HIGH: drive output high | | |
| 11:5 | Reserved. | - | - |
| 4:0 | FUNCSEL : 0-31 → selects pin function according to the gpio table 31 == NULL | RW | 0x1f |
| | Enumerated values: | | |
| | 0x01 → SPI1_RX | | |
| | 0x02 → UART1_TX | | |
| | 0x03 → I2C0_SDA | | |
| | 0x04 → PWM_A_8 | | |

| Bits | Description | Type | Reset |
|------|-------------------------------|------|-------|
| | 0x05 → SIO_40 | | |
| | 0x06 → PIO0_40 | | |
| | 0x07 → PIO1_40 | | |
| | 0x08 → PIO2_40 | | |
| | 0x0a → USB_MUXING_VBUS_DETECT | | |
| | 0x1f → NULL | | |

IO_BANK0: GPIO41_STATUS Register

Offset: 0x148

Table 732.
GPIO41_STATUS
Register

| Bits | Description | Type | Reset |
|-------|---|------|-------|
| 31:27 | Reserved. | - | - |
| 26 | IRQTOPROC : interrupt to processors, after override is applied | RO | 0x0 |
| 25:18 | Reserved. | - | - |
| 17 | INFROMPAD : input signal from pad, before filtering and override are applied | RO | 0x0 |
| 16:14 | Reserved. | - | - |
| 13 | OETOPAD : output enable to pad after register override is applied | RO | 0x0 |
| 12:10 | Reserved. | - | - |
| 9 | OUTTOPAD : output signal to pad after register override is applied | RO | 0x0 |
| 8:0 | Reserved. | - | - |

IO_BANK0: GPIO41_CTRL Register

Offset: 0x14c

Table 733.
GPIO41_CTRL Register

| Bits | Description | Type | Reset |
|-------|---|------|-------|
| 31:30 | Reserved. | - | - |
| 29:28 | IRQOVER | RW | 0x0 |
| | Enumerated values: | | |
| | 0x0 → NORMAL: don't invert the interrupt | | |
| | 0x1 → INVERT: invert the interrupt | | |
| | 0x2 → LOW: drive interrupt low | | |
| | 0x3 → HIGH: drive interrupt high | | |
| 27:18 | Reserved. | - | - |
| 17:16 | INOVER | RW | 0x0 |
| | Enumerated values: | | |
| | 0x0 → NORMAL: don't invert the peri input | | |
| | 0x1 → INVERT: invert the peri input | | |
| | 0x2 → LOW: drive peri input low | | |

| Bits | Description | Type | Reset |
|-------|---|------|-------|
| | 0x3 → HIGH: drive peri input high | | |
| 15:14 | OEOVER | RW | 0x0 |
| | Enumerated values: | | |
| | 0x0 → NORMAL: drive output enable from peripheral signal selected by funcsel | | |
| | 0x1 → INVERT: drive output enable from inverse of peripheral signal selected by funcsel | | |
| | 0x2 → DISABLE: disable output | | |
| | 0x3 → ENABLE: enable output | | |
| 13:12 | OUTOVER | RW | 0x0 |
| | Enumerated values: | | |
| | 0x0 → NORMAL: drive output from peripheral signal selected by funcsel | | |
| | 0x1 → INVERT: drive output from inverse of peripheral signal selected by funcsel | | |
| | 0x2 → LOW: drive output low | | |
| | 0x3 → HIGH: drive output high | | |
| 11:5 | Reserved. | - | - |
| 4:0 | FUNCSEL : 0-31 → selects pin function according to the gpio table 31 == NULL | RW | 0x1f |
| | Enumerated values: | | |
| | 0x01 → SPI1_SS_N | | |
| | 0x02 → UART1_RX | | |
| | 0x03 → I2C0_SCL | | |
| | 0x04 → PWM_B_8 | | |
| | 0x05 → SIO_41 | | |
| | 0x06 → PIO0_41 | | |
| | 0x07 → PIO1_41 | | |
| | 0x08 → PIO2_41 | | |
| | 0x0a → USB_MUXING_VBUS_EN | | |
| | 0x1f → NULL | | |

IO_BANK0: GPIO42_STATUS Register

Offset: 0x150

Table 734.
GPIO42_STATUS
Register

| Bits | Description | Type | Reset |
|-------|---|------|-------|
| 31:27 | Reserved. | - | - |
| 26 | IRQTOPROC : interrupt to processors, after override is applied | RO | 0x0 |
| 25:18 | Reserved. | - | - |

| Bits | Description | Type | Reset |
|-------|--|------|-------|
| 17 | INFROPAD : input signal from pad, before filtering and override are applied | RO | 0x0 |
| 16:14 | Reserved. | - | - |
| 13 | OETOPAD : output enable to pad after register override is applied | RO | 0x0 |
| 12:10 | Reserved. | - | - |
| 9 | OUTTOPAD : output signal to pad after register override is applied | RO | 0x0 |
| 8:0 | Reserved. | - | - |

IO_BANK0: GPIO42_CTRL Register

Offset: 0x154

Table 735.
GPIO42_CTRL Register

| Bits | Description | Type | Reset |
|-------|---|------|-------|
| 31:30 | Reserved. | - | - |
| 29:28 | IRQOVER | RW | 0x0 |
| | Enumerated values: | | |
| | 0x0 → NORMAL: don't invert the interrupt | | |
| | 0x1 → INVERT: invert the interrupt | | |
| | 0x2 → LOW: drive interrupt low | | |
| | 0x3 → HIGH: drive interrupt high | | |
| 27:18 | Reserved. | - | - |
| 17:16 | INOVER | RW | 0x0 |
| | Enumerated values: | | |
| | 0x0 → NORMAL: don't invert the peri input | | |
| | 0x1 → INVERT: invert the peri input | | |
| | 0x2 → LOW: drive peri input low | | |
| | 0x3 → HIGH: drive peri input high | | |
| 15:14 | OEOVER | RW | 0x0 |
| | Enumerated values: | | |
| | 0x0 → NORMAL: drive output enable from peripheral signal selected by funcsel | | |
| | 0x1 → INVERT: drive output enable from inverse of peripheral signal selected by funcsel | | |
| | 0x2 → DISABLE: disable output | | |
| | 0x3 → ENABLE: enable output | | |
| 13:12 | OUTOVER | RW | 0x0 |
| | Enumerated values: | | |
| | 0x0 → NORMAL: drive output from peripheral signal selected by funcsel | | |

| Bits | Description | Type | Reset |
|------|--|------|-------|
| | 0x1 → INVERT: drive output from inverse of peripheral signal selected by funcsel | | |
| | 0x2 → LOW: drive output low | | |
| | 0x3 → HIGH: drive output high | | |
| 11:5 | Reserved. | - | - |
| 4:0 | FUNCSEL : 0-31 → selects pin function according to the gpio table 31 == NULL | RW | 0x1f |
| | Enumerated values: | | |
| | 0x01 → SPI1_SCLK | | |
| | 0x02 → UART1_CTS | | |
| | 0x03 → I2C1_SDA | | |
| | 0x04 → PWM_A_9 | | |
| | 0x05 → SIO_42 | | |
| | 0x06 → PIO0_42 | | |
| | 0x07 → PIO1_42 | | |
| | 0x08 → PIO2_42 | | |
| | 0x0a → USB_MUXING_OVERCURRETECT | | |
| | 0x0b → UART1_TX | | |
| | 0x1f → NULL | | |

IO_BANK0: GPIO43_STATUS Register

Offset: 0x158

Table 736.
GPIO43_STATUS
Register

| Bits | Description | Type | Reset |
|-------|---|------|-------|
| 31:27 | Reserved. | - | - |
| 26 | IRQTOPROC : interrupt to processors, after override is applied | RO | 0x0 |
| 25:18 | Reserved. | - | - |
| 17 | INFROMPAD : input signal from pad, before filtering and override are applied | RO | 0x0 |
| 16:14 | Reserved. | - | - |
| 13 | OETOPAD : output enable to pad after register override is applied | RO | 0x0 |
| 12:10 | Reserved. | - | - |
| 9 | OUTTOPAD : output signal to pad after register override is applied | RO | 0x0 |
| 8:0 | Reserved. | - | - |

IO_BANK0: GPIO43_CTRL Register

Offset: 0x15c

Table 737.
GPIO43_CTRL Register

| Bits | Description | Type | Reset |
|-------|---|------|-------|
| 31:30 | Reserved. | - | - |
| 29:28 | IRQOVER | RW | 0x0 |
| | Enumerated values: | | |
| | 0x0 → NORMAL: don't invert the interrupt | | |
| | 0x1 → INVERT: invert the interrupt | | |
| | 0x2 → LOW: drive interrupt low | | |
| | 0x3 → HIGH: drive interrupt high | | |
| 27:18 | Reserved. | - | - |
| 17:16 | INOVER | RW | 0x0 |
| | Enumerated values: | | |
| | 0x0 → NORMAL: don't invert the peri input | | |
| | 0x1 → INVERT: invert the peri input | | |
| | 0x2 → LOW: drive peri input low | | |
| | 0x3 → HIGH: drive peri input high | | |
| 15:14 | OEOVER | RW | 0x0 |
| | Enumerated values: | | |
| | 0x0 → NORMAL: drive output enable from peripheral signal selected by funcsel | | |
| | 0x1 → INVERT: drive output enable from inverse of peripheral signal selected by funcsel | | |
| | 0x2 → DISABLE: disable output | | |
| | 0x3 → ENABLE: enable output | | |
| 13:12 | OUTOVER | RW | 0x0 |
| | Enumerated values: | | |
| | 0x0 → NORMAL: drive output from peripheral signal selected by funcsel | | |
| | 0x1 → INVERT: drive output from inverse of peripheral signal selected by funcsel | | |
| | 0x2 → LOW: drive output low | | |
| | 0x3 → HIGH: drive output high | | |
| 11:5 | Reserved. | - | - |
| 4:0 | FUNCSEL : 0-31 → selects pin function according to the gpio table 31 == NULL | RW | 0x1f |
| | Enumerated values: | | |
| | 0x01 → SPI1_TX | | |
| | 0x02 → UART1_RTS | | |
| | 0x03 → I2C1_SCL | | |
| | 0x04 → PWM_B_9 | | |

| Bits | Description | Type | Reset |
|------|-------------------------------|------|-------|
| | 0x05 → SIO_43 | | |
| | 0x06 → PIO0_43 | | |
| | 0x07 → PIO1_43 | | |
| | 0x08 → PIO2_43 | | |
| | 0x0a → USB_MUXING_VBUS_DETECT | | |
| | 0x0b → UART1_RX | | |
| | 0x1f → NULL | | |

IO_BANK0: GPIO44_STATUS Register

Offset: 0x160

Table 738.
GPIO44_STATUS
Register

| Bits | Description | Type | Reset |
|-------|---|------|-------|
| 31:27 | Reserved. | - | - |
| 26 | IRQTOPROC : interrupt to processors, after override is applied | RO | 0x0 |
| 25:18 | Reserved. | - | - |
| 17 | INFROMPAD : input signal from pad, before filtering and override are applied | RO | 0x0 |
| 16:14 | Reserved. | - | - |
| 13 | OETOPAD : output enable to pad after register override is applied | RO | 0x0 |
| 12:10 | Reserved. | - | - |
| 9 | OUTTOPAD : output signal to pad after register override is applied | RO | 0x0 |
| 8:0 | Reserved. | - | - |

IO_BANK0: GPIO44_CTRL Register

Offset: 0x164

Table 739.
GPIO44_CTRL Register

| Bits | Description | Type | Reset |
|-------|---|------|-------|
| 31:30 | Reserved. | - | - |
| 29:28 | IRQOVER | RW | 0x0 |
| | Enumerated values: | | |
| | 0x0 → NORMAL: don't invert the interrupt | | |
| | 0x1 → INVERT: invert the interrupt | | |
| | 0x2 → LOW: drive interrupt low | | |
| | 0x3 → HIGH: drive interrupt high | | |
| 27:18 | Reserved. | - | - |
| 17:16 | INOVER | RW | 0x0 |
| | Enumerated values: | | |
| | 0x0 → NORMAL: don't invert the peri input | | |
| | 0x1 → INVERT: invert the peri input | | |

| Bits | Description | Type | Reset |
|-------|---|------|-------|
| | 0x2 → LOW: drive peri input low | | |
| | 0x3 → HIGH: drive peri input high | | |
| 15:14 | OEOVER | RW | 0x0 |
| | Enumerated values: | | |
| | 0x0 → NORMAL: drive output enable from peripheral signal selected by funcsel | | |
| | 0x1 → INVERT: drive output enable from inverse of peripheral signal selected by funcsel | | |
| | 0x2 → DISABLE: disable output | | |
| | 0x3 → ENABLE: enable output | | |
| 13:12 | OUTOVER | RW | 0x0 |
| | Enumerated values: | | |
| | 0x0 → NORMAL: drive output from peripheral signal selected by funcsel | | |
| | 0x1 → INVERT: drive output from inverse of peripheral signal selected by funcsel | | |
| | 0x2 → LOW: drive output low | | |
| | 0x3 → HIGH: drive output high | | |
| 11:5 | Reserved. | - | - |
| 4:0 | FUNCSEL : 0-31 → selects pin function according to the gpio table 31 == NULL | RW | 0x1f |
| | Enumerated values: | | |
| | 0x01 → SPI1_RX | | |
| | 0x02 → UART0_TX | | |
| | 0x03 → I2C0_SDA | | |
| | 0x04 → PWM_A_10 | | |
| | 0x05 → SIO_44 | | |
| | 0x06 → PIO0_44 | | |
| | 0x07 → PIO1_44 | | |
| | 0x08 → PIO2_44 | | |
| | 0x0a → USB_MUXING_VBUS_EN | | |
| | 0x1f → NULL | | |

IO_BANK0: GPIO45_STATUS Register

Offset: 0x168

Table 740.
GPIO45_STATUS
Register

| Bits | Description | Type | Reset |
|-------|---|------|-------|
| 31:27 | Reserved. | - | - |
| 26 | IRQTOPROC : interrupt to processors, after override is applied | RO | 0x0 |

| Bits | Description | Type | Reset |
|-------|---|------|-------|
| 25:18 | Reserved. | - | - |
| 17 | INFROMPAD : input signal from pad, before filtering and override are applied | RO | 0x0 |
| 16:14 | Reserved. | - | - |
| 13 | OETOPAD : output enable to pad after register override is applied | RO | 0x0 |
| 12:10 | Reserved. | - | - |
| 9 | OUTTOPAD : output signal to pad after register override is applied | RO | 0x0 |
| 8:0 | Reserved. | - | - |

IO_BANK0: GPIO45_CTRL Register

Offset: 0x16c

Table 741.
GPIO45_CTRL Register

| Bits | Description | Type | Reset |
|-------|---|------|-------|
| 31:30 | Reserved. | - | - |
| 29:28 | IRQOVER | RW | 0x0 |
| | Enumerated values: | | |
| | 0x0 → NORMAL: don't invert the interrupt | | |
| | 0x1 → INVERT: invert the interrupt | | |
| | 0x2 → LOW: drive interrupt low | | |
| | 0x3 → HIGH: drive interrupt high | | |
| 27:18 | Reserved. | - | - |
| 17:16 | INOVER | RW | 0x0 |
| | Enumerated values: | | |
| | 0x0 → NORMAL: don't invert the peri input | | |
| | 0x1 → INVERT: invert the peri input | | |
| | 0x2 → LOW: drive peri input low | | |
| | 0x3 → HIGH: drive peri input high | | |
| 15:14 | OEOVER | RW | 0x0 |
| | Enumerated values: | | |
| | 0x0 → NORMAL: drive output enable from peripheral signal selected by funcsel | | |
| | 0x1 → INVERT: drive output enable from inverse of peripheral signal selected by funcsel | | |
| | 0x2 → DISABLE: disable output | | |
| | 0x3 → ENABLE: enable output | | |
| 13:12 | OUTOVER | RW | 0x0 |
| | Enumerated values: | | |
| | 0x0 → NORMAL: drive output from peripheral signal selected by funcsel | | |

| Bits | Description | Type | Reset |
|------|--|------|-------|
| | 0x1 → INVERT: drive output from inverse of peripheral signal selected by funcsel | | |
| | 0x2 → LOW: drive output low | | |
| | 0x3 → HIGH: drive output high | | |
| 11:5 | Reserved. | - | - |
| 4:0 | FUNCSEL : 0-31 → selects pin function according to the gpio table 31 == NULL | RW | 0x1f |
| | Enumerated values: | | |
| | 0x01 → SPI1_SS_N | | |
| | 0x02 → UART0_RX | | |
| | 0x03 → I2C0_SCL | | |
| | 0x04 → PWM_B_10 | | |
| | 0x05 → SIO_45 | | |
| | 0x06 → PIO0_45 | | |
| | 0x07 → PIO1_45 | | |
| | 0x08 → PIO2_45 | | |
| | 0x0a → USB_MUXING_OVERCURRETECT | | |
| | 0x1f → NULL | | |

IO_BANK0: GPIO46_STATUS Register

Offset: 0x170

Table 742.
GPIO46_STATUS Register

| Bits | Description | Type | Reset |
|-------|---|------|-------|
| 31:27 | Reserved. | - | - |
| 26 | IRQTOPROC : interrupt to processors, after override is applied | RO | 0x0 |
| 25:18 | Reserved. | - | - |
| 17 | INFROMPAD : input signal from pad, before filtering and override are applied | RO | 0x0 |
| 16:14 | Reserved. | - | - |
| 13 | OETOPAD : output enable to pad after register override is applied | RO | 0x0 |
| 12:10 | Reserved. | - | - |
| 9 | OUTTOPAD : output signal to pad after register override is applied | RO | 0x0 |
| 8:0 | Reserved. | - | - |

IO_BANK0: GPIO46_CTRL Register

Offset: 0x174

Table 743.
GPIO46_CTRL Register

| Bits | Description | Type | Reset |
|-------|-------------|------|-------|
| 31:30 | Reserved. | - | - |

| Bits | Description | Type | Reset |
|-------|---|------|-------|
| 29:28 | IRQOVER | RW | 0x0 |
| | Enumerated values: | | |
| | 0x0 → NORMAL: don't invert the interrupt | | |
| | 0x1 → INVERT: invert the interrupt | | |
| | 0x2 → LOW: drive interrupt low | | |
| | 0x3 → HIGH: drive interrupt high | | |
| 27:18 | Reserved. | - | - |
| 17:16 | INOVER | RW | 0x0 |
| | Enumerated values: | | |
| | 0x0 → NORMAL: don't invert the peri input | | |
| | 0x1 → INVERT: invert the peri input | | |
| | 0x2 → LOW: drive peri input low | | |
| | 0x3 → HIGH: drive peri input high | | |
| 15:14 | OEOVER | RW | 0x0 |
| | Enumerated values: | | |
| | 0x0 → NORMAL: drive output enable from peripheral signal selected by funcsel | | |
| | 0x1 → INVERT: drive output enable from inverse of peripheral signal selected by funcsel | | |
| | 0x2 → DISABLE: disable output | | |
| | 0x3 → ENABLE: enable output | | |
| 13:12 | OUTOVER | RW | 0x0 |
| | Enumerated values: | | |
| | 0x0 → NORMAL: drive output from peripheral signal selected by funcsel | | |
| | 0x1 → INVERT: drive output from inverse of peripheral signal selected by funcsel | | |
| | 0x2 → LOW: drive output low | | |
| | 0x3 → HIGH: drive output high | | |
| 11:5 | Reserved. | - | - |
| 4:0 | FUNCSEL : 0-31 → selects pin function according to the gpio table 31 == NULL | RW | 0x1f |
| | Enumerated values: | | |
| | 0x01 → SPI1_SCLK | | |
| | 0x02 → UART0_CTS | | |
| | 0x03 → I2C1_SDA | | |
| | 0x04 → PWM_A_11 | | |
| | 0x05 → SIO_46 | | |

| Bits | Description | Type | Reset |
|------|-------------------------------|------|-------|
| | 0x06 → PIO0_46 | | |
| | 0x07 → PIO1_46 | | |
| | 0x08 → PIO2_46 | | |
| | 0x0a → USB_MUXING_VBUS_DETECT | | |
| | 0x0b → UART0_TX | | |
| | 0x1f → NULL | | |

IO_BANK0: GPIO47_STATUS Register

Offset: 0x178

Table 744.
GPIO47_STATUS
Register

| Bits | Description | Type | Reset |
|-------|---|------|-------|
| 31:27 | Reserved. | - | - |
| 26 | IRQTOPROC : interrupt to processors, after override is applied | RO | 0x0 |
| 25:18 | Reserved. | - | - |
| 17 | INFROMPAD : input signal from pad, before filtering and override are applied | RO | 0x0 |
| 16:14 | Reserved. | - | - |
| 13 | OETOPAD : output enable to pad after register override is applied | RO | 0x0 |
| 12:10 | Reserved. | - | - |
| 9 | OUTTOPAD : output signal to pad after register override is applied | RO | 0x0 |
| 8:0 | Reserved. | - | - |

IO_BANK0: GPIO47_CTRL Register

Offset: 0x17c

Table 745.
GPIO47_CTRL Register

| Bits | Description | Type | Reset |
|-------|---|------|-------|
| 31:30 | Reserved. | - | - |
| 29:28 | IRQOVER | RW | 0x0 |
| | Enumerated values: | | |
| | 0x0 → NORMAL: don't invert the interrupt | | |
| | 0x1 → INVERT: invert the interrupt | | |
| | 0x2 → LOW: drive interrupt low | | |
| | 0x3 → HIGH: drive interrupt high | | |
| 27:18 | Reserved. | - | - |
| 17:16 | INOVER | RW | 0x0 |
| | Enumerated values: | | |
| | 0x0 → NORMAL: don't invert the peri input | | |
| | 0x1 → INVERT: invert the peri input | | |
| | 0x2 → LOW: drive peri input low | | |

| Bits | Description | Type | Reset |
|-------|---|------|-------|
| | 0x3 → HIGH: drive peri input high | | |
| 15:14 | OEOVER | RW | 0x0 |
| | Enumerated values: | | |
| | 0x0 → NORMAL: drive output enable from peripheral signal selected by funcsel | | |
| | 0x1 → INVERT: drive output enable from inverse of peripheral signal selected by funcsel | | |
| | 0x2 → DISABLE: disable output | | |
| | 0x3 → ENABLE: enable output | | |
| 13:12 | OUTOVER | RW | 0x0 |
| | Enumerated values: | | |
| | 0x0 → NORMAL: drive output from peripheral signal selected by funcsel | | |
| | 0x1 → INVERT: drive output from inverse of peripheral signal selected by funcsel | | |
| | 0x2 → LOW: drive output low | | |
| | 0x3 → HIGH: drive output high | | |
| 11:5 | Reserved. | - | - |
| 4:0 | FUNCSEL : 0-31 → selects pin function according to the gpio table 31 == NULL | RW | 0x1f |
| | Enumerated values: | | |
| | 0x01 → SPI1_TX | | |
| | 0x02 → UART0_RTS | | |
| | 0x03 → I2C1_SCL | | |
| | 0x04 → PWM_B_11 | | |
| | 0x05 → SIO_47 | | |
| | 0x06 → PIO0_47 | | |
| | 0x07 → PIO1_47 | | |
| | 0x08 → PIO2_47 | | |
| | 0x09 → XIP_SS_N_1 | | |
| | 0x0a → USB_MUXING_VBUS_EN | | |
| | 0x0b → UART0_RX | | |
| | 0x1f → NULL | | |

IO_BANK0: IRQSUMMARY_PROC0_SECURE0 Register

Offset: 0x200

Table 746.
IRQSUMMARY_PROC0_SECURE0 Register

| Bits | Description | Type | Reset |
|------|---------------|------|-------|
| 31 | GPIO31 | RO | 0x0 |

| Bits | Description | Type | Reset |
|------|-------------|------|-------|
| 30 | GPI030 | RO | 0x0 |
| 29 | GPI029 | RO | 0x0 |
| 28 | GPI028 | RO | 0x0 |
| 27 | GPI027 | RO | 0x0 |
| 26 | GPI026 | RO | 0x0 |
| 25 | GPI025 | RO | 0x0 |
| 24 | GPI024 | RO | 0x0 |
| 23 | GPI023 | RO | 0x0 |
| 22 | GPI022 | RO | 0x0 |
| 21 | GPI021 | RO | 0x0 |
| 20 | GPI020 | RO | 0x0 |
| 19 | GPI019 | RO | 0x0 |
| 18 | GPI018 | RO | 0x0 |
| 17 | GPI017 | RO | 0x0 |
| 16 | GPI016 | RO | 0x0 |
| 15 | GPI015 | RO | 0x0 |
| 14 | GPI014 | RO | 0x0 |
| 13 | GPI013 | RO | 0x0 |
| 12 | GPI012 | RO | 0x0 |
| 11 | GPI011 | RO | 0x0 |
| 10 | GPI010 | RO | 0x0 |
| 9 | GPI09 | RO | 0x0 |
| 8 | GPI08 | RO | 0x0 |
| 7 | GPI07 | RO | 0x0 |
| 6 | GPI06 | RO | 0x0 |
| 5 | GPI05 | RO | 0x0 |
| 4 | GPI04 | RO | 0x0 |
| 3 | GPI03 | RO | 0x0 |
| 2 | GPI02 | RO | 0x0 |
| 1 | GPI01 | RO | 0x0 |
| 0 | GPI00 | RO | 0x0 |

IO_BANK0: IRQSUMMARY_PROC0_SECURE1 Register

Offset: 0x204

Table 747.
IRQSUMMARY_PROC0_SECURE1 Register

| Bits | Description | Type | Reset |
|-------|-------------|------|-------|
| 31:16 | Reserved. | - | - |

| Bits | Description | Type | Reset |
|------|---------------|------|-------|
| 15 | GPIO47 | RO | 0x0 |
| 14 | GPIO46 | RO | 0x0 |
| 13 | GPIO45 | RO | 0x0 |
| 12 | GPIO44 | RO | 0x0 |
| 11 | GPIO43 | RO | 0x0 |
| 10 | GPIO42 | RO | 0x0 |
| 9 | GPIO41 | RO | 0x0 |
| 8 | GPIO40 | RO | 0x0 |
| 7 | GPIO39 | RO | 0x0 |
| 6 | GPIO38 | RO | 0x0 |
| 5 | GPIO37 | RO | 0x0 |
| 4 | GPIO36 | RO | 0x0 |
| 3 | GPIO35 | RO | 0x0 |
| 2 | GPIO34 | RO | 0x0 |
| 1 | GPIO33 | RO | 0x0 |
| 0 | GPIO32 | RO | 0x0 |

IO_BANK0: IRQSUMMARY_PROC0_NONSECURE0 Register

Offset: 0x208

Table 748.
IRQSUMMARY_PROC0
_NONSECURE0
Register

| Bits | Description | Type | Reset |
|------|---------------|------|-------|
| 31 | GPIO31 | RO | 0x0 |
| 30 | GPIO30 | RO | 0x0 |
| 29 | GPIO29 | RO | 0x0 |
| 28 | GPIO28 | RO | 0x0 |
| 27 | GPIO27 | RO | 0x0 |
| 26 | GPIO26 | RO | 0x0 |
| 25 | GPIO25 | RO | 0x0 |
| 24 | GPIO24 | RO | 0x0 |
| 23 | GPIO23 | RO | 0x0 |
| 22 | GPIO22 | RO | 0x0 |
| 21 | GPIO21 | RO | 0x0 |
| 20 | GPIO20 | RO | 0x0 |
| 19 | GPIO19 | RO | 0x0 |
| 18 | GPIO18 | RO | 0x0 |
| 17 | GPIO17 | RO | 0x0 |
| 16 | GPIO16 | RO | 0x0 |

| Bits | Description | Type | Reset |
|------|-------------|------|-------|
| 15 | GPI015 | RO | 0x0 |
| 14 | GPI014 | RO | 0x0 |
| 13 | GPI013 | RO | 0x0 |
| 12 | GPI012 | RO | 0x0 |
| 11 | GPI011 | RO | 0x0 |
| 10 | GPI010 | RO | 0x0 |
| 9 | GPI09 | RO | 0x0 |
| 8 | GPI08 | RO | 0x0 |
| 7 | GPI07 | RO | 0x0 |
| 6 | GPI06 | RO | 0x0 |
| 5 | GPI05 | RO | 0x0 |
| 4 | GPI04 | RO | 0x0 |
| 3 | GPI03 | RO | 0x0 |
| 2 | GPI02 | RO | 0x0 |
| 1 | GPI01 | RO | 0x0 |
| 0 | GPI00 | RO | 0x0 |

IO_BANK0: IRQSUMMARY_PROC0_NONSECURE1 Register

Offset: 0x20c

Table 749.
IRQSUMMARY_PROC0
_NONSECURE1
Register

| Bits | Description | Type | Reset |
|-------|-------------|------|-------|
| 31:16 | Reserved. | - | - |
| 15 | GPI047 | RO | 0x0 |
| 14 | GPI046 | RO | 0x0 |
| 13 | GPI045 | RO | 0x0 |
| 12 | GPI044 | RO | 0x0 |
| 11 | GPI043 | RO | 0x0 |
| 10 | GPI042 | RO | 0x0 |
| 9 | GPI041 | RO | 0x0 |
| 8 | GPI040 | RO | 0x0 |
| 7 | GPI039 | RO | 0x0 |
| 6 | GPI038 | RO | 0x0 |
| 5 | GPI037 | RO | 0x0 |
| 4 | GPI036 | RO | 0x0 |
| 3 | GPI035 | RO | 0x0 |
| 2 | GPI034 | RO | 0x0 |
| 1 | GPI033 | RO | 0x0 |

| Bits | Description | Type | Reset |
|------|-------------|------|-------|
| 0 | GPIO32 | RO | 0x0 |

IO_BANK0: IRQSUMMARY_PROC1_SECURE0 Register

Offset: 0x210

Table 750.
IRQSUMMARY_PROC1
_SECURE0 Register

| Bits | Description | Type | Reset |
|------|-------------|------|-------|
| 31 | GPIO31 | RO | 0x0 |
| 30 | GPIO30 | RO | 0x0 |
| 29 | GPIO29 | RO | 0x0 |
| 28 | GPIO28 | RO | 0x0 |
| 27 | GPIO27 | RO | 0x0 |
| 26 | GPIO26 | RO | 0x0 |
| 25 | GPIO25 | RO | 0x0 |
| 24 | GPIO24 | RO | 0x0 |
| 23 | GPIO23 | RO | 0x0 |
| 22 | GPIO22 | RO | 0x0 |
| 21 | GPIO21 | RO | 0x0 |
| 20 | GPIO20 | RO | 0x0 |
| 19 | GPIO19 | RO | 0x0 |
| 18 | GPIO18 | RO | 0x0 |
| 17 | GPIO17 | RO | 0x0 |
| 16 | GPIO16 | RO | 0x0 |
| 15 | GPIO15 | RO | 0x0 |
| 14 | GPIO14 | RO | 0x0 |
| 13 | GPIO13 | RO | 0x0 |
| 12 | GPIO12 | RO | 0x0 |
| 11 | GPIO11 | RO | 0x0 |
| 10 | GPIO10 | RO | 0x0 |
| 9 | GPIO9 | RO | 0x0 |
| 8 | GPIO8 | RO | 0x0 |
| 7 | GPIO7 | RO | 0x0 |
| 6 | GPIO6 | RO | 0x0 |
| 5 | GPIO5 | RO | 0x0 |
| 4 | GPIO4 | RO | 0x0 |
| 3 | GPIO3 | RO | 0x0 |
| 2 | GPIO2 | RO | 0x0 |
| 1 | GPIO1 | RO | 0x0 |

| Bits | Description | Type | Reset |
|------|--------------|------|-------|
| 0 | GPIO0 | RO | 0x0 |

IO_BANK0: IRQSUMMARY_PROC1_SECURE1 Register

Offset: 0x214

Table 751.
IRQSUMMARY_PROC1
_SECURE1 Register

| Bits | Description | Type | Reset |
|-------|---------------|------|-------|
| 31:16 | Reserved. | - | - |
| 15 | GPIO47 | RO | 0x0 |
| 14 | GPIO46 | RO | 0x0 |
| 13 | GPIO45 | RO | 0x0 |
| 12 | GPIO44 | RO | 0x0 |
| 11 | GPIO43 | RO | 0x0 |
| 10 | GPIO42 | RO | 0x0 |
| 9 | GPIO41 | RO | 0x0 |
| 8 | GPIO40 | RO | 0x0 |
| 7 | GPIO39 | RO | 0x0 |
| 6 | GPIO38 | RO | 0x0 |
| 5 | GPIO37 | RO | 0x0 |
| 4 | GPIO36 | RO | 0x0 |
| 3 | GPIO35 | RO | 0x0 |
| 2 | GPIO34 | RO | 0x0 |
| 1 | GPIO33 | RO | 0x0 |
| 0 | GPIO32 | RO | 0x0 |

IO_BANK0: IRQSUMMARY_PROC1_NONSECURE0 Register

Offset: 0x218

Table 752.
IRQSUMMARY_PROC1
_NONSECURE0 Register

| Bits | Description | Type | Reset |
|------|---------------|------|-------|
| 31 | GPIO31 | RO | 0x0 |
| 30 | GPIO30 | RO | 0x0 |
| 29 | GPIO29 | RO | 0x0 |
| 28 | GPIO28 | RO | 0x0 |
| 27 | GPIO27 | RO | 0x0 |
| 26 | GPIO26 | RO | 0x0 |
| 25 | GPIO25 | RO | 0x0 |
| 24 | GPIO24 | RO | 0x0 |
| 23 | GPIO23 | RO | 0x0 |
| 22 | GPIO22 | RO | 0x0 |

| Bits | Description | Type | Reset |
|------|---------------|------|-------|
| 21 | GPI021 | RO | 0x0 |
| 20 | GPI020 | RO | 0x0 |
| 19 | GPI019 | RO | 0x0 |
| 18 | GPI018 | RO | 0x0 |
| 17 | GPI017 | RO | 0x0 |
| 16 | GPI016 | RO | 0x0 |
| 15 | GPI015 | RO | 0x0 |
| 14 | GPI014 | RO | 0x0 |
| 13 | GPI013 | RO | 0x0 |
| 12 | GPI012 | RO | 0x0 |
| 11 | GPI011 | RO | 0x0 |
| 10 | GPI010 | RO | 0x0 |
| 9 | GPI09 | RO | 0x0 |
| 8 | GPI08 | RO | 0x0 |
| 7 | GPI07 | RO | 0x0 |
| 6 | GPI06 | RO | 0x0 |
| 5 | GPI05 | RO | 0x0 |
| 4 | GPI04 | RO | 0x0 |
| 3 | GPI03 | RO | 0x0 |
| 2 | GPI02 | RO | 0x0 |
| 1 | GPI01 | RO | 0x0 |
| 0 | GPI00 | RO | 0x0 |

IO_BANK0: IRQSUMMARY_PROC1_NONSECURE1 Register

Offset: 0x21c

Table 753.
IRQSUMMARY_PROC1
_NONSECURE1
Register

| Bits | Description | Type | Reset |
|-------|---------------|------|-------|
| 31:16 | Reserved. | - | - |
| 15 | GPI047 | RO | 0x0 |
| 14 | GPI046 | RO | 0x0 |
| 13 | GPI045 | RO | 0x0 |
| 12 | GPI044 | RO | 0x0 |
| 11 | GPI043 | RO | 0x0 |
| 10 | GPI042 | RO | 0x0 |
| 9 | GPI041 | RO | 0x0 |
| 8 | GPI040 | RO | 0x0 |
| 7 | GPI039 | RO | 0x0 |

| Bits | Description | Type | Reset |
|------|-------------|------|-------|
| 6 | GPI038 | RO | 0x0 |
| 5 | GPI037 | RO | 0x0 |
| 4 | GPI036 | RO | 0x0 |
| 3 | GPI035 | RO | 0x0 |
| 2 | GPI034 | RO | 0x0 |
| 1 | GPI033 | RO | 0x0 |
| 0 | GPI032 | RO | 0x0 |

IO_BANK0: IRQSUMMARY_COMA_WAKE_SECURE0 Register

Offset: 0x220

Table 754.
IRQSUMMARY_COMA_
WAKE_SECURE0
Register

| Bits | Description | Type | Reset |
|------|-------------|------|-------|
| 31 | GPI031 | RO | 0x0 |
| 30 | GPI030 | RO | 0x0 |
| 29 | GPI029 | RO | 0x0 |
| 28 | GPI028 | RO | 0x0 |
| 27 | GPI027 | RO | 0x0 |
| 26 | GPI026 | RO | 0x0 |
| 25 | GPI025 | RO | 0x0 |
| 24 | GPI024 | RO | 0x0 |
| 23 | GPI023 | RO | 0x0 |
| 22 | GPI022 | RO | 0x0 |
| 21 | GPI021 | RO | 0x0 |
| 20 | GPI020 | RO | 0x0 |
| 19 | GPI019 | RO | 0x0 |
| 18 | GPI018 | RO | 0x0 |
| 17 | GPI017 | RO | 0x0 |
| 16 | GPI016 | RO | 0x0 |
| 15 | GPI015 | RO | 0x0 |
| 14 | GPI014 | RO | 0x0 |
| 13 | GPI013 | RO | 0x0 |
| 12 | GPI012 | RO | 0x0 |
| 11 | GPI011 | RO | 0x0 |
| 10 | GPI010 | RO | 0x0 |
| 9 | GPI09 | RO | 0x0 |
| 8 | GPI08 | RO | 0x0 |
| 7 | GPI07 | RO | 0x0 |

| Bits | Description | Type | Reset |
|------|--------------|------|-------|
| 6 | GPI06 | RO | 0x0 |
| 5 | GPI05 | RO | 0x0 |
| 4 | GPI04 | RO | 0x0 |
| 3 | GPI03 | RO | 0x0 |
| 2 | GPI02 | RO | 0x0 |
| 1 | GPI01 | RO | 0x0 |
| 0 | GPI00 | RO | 0x0 |

IO_BANK0: IRQSUMMARY_COMA_WAKE_SECURE1 Register

Offset: 0x224

Table 755.
IRQSUMMARY_COMA_
WAKE_SECURE1
Register

| Bits | Description | Type | Reset |
|-------|---------------|------|-------|
| 31:16 | Reserved. | - | - |
| 15 | GPI047 | RO | 0x0 |
| 14 | GPI046 | RO | 0x0 |
| 13 | GPI045 | RO | 0x0 |
| 12 | GPI044 | RO | 0x0 |
| 11 | GPI043 | RO | 0x0 |
| 10 | GPI042 | RO | 0x0 |
| 9 | GPI041 | RO | 0x0 |
| 8 | GPI040 | RO | 0x0 |
| 7 | GPI039 | RO | 0x0 |
| 6 | GPI038 | RO | 0x0 |
| 5 | GPI037 | RO | 0x0 |
| 4 | GPI036 | RO | 0x0 |
| 3 | GPI035 | RO | 0x0 |
| 2 | GPI034 | RO | 0x0 |
| 1 | GPI033 | RO | 0x0 |
| 0 | GPI032 | RO | 0x0 |

IO_BANK0: IRQSUMMARY_COMA_WAKE_NONSECURE0 Register

Offset: 0x228

Table 756.
IRQSUMMARY_COMA_
WAKE_NONSECURE0
Register

| Bits | Description | Type | Reset |
|------|---------------|------|-------|
| 31 | GPI031 | RO | 0x0 |
| 30 | GPI030 | RO | 0x0 |
| 29 | GPI029 | RO | 0x0 |
| 28 | GPI028 | RO | 0x0 |

| Bits | Description | Type | Reset |
|------|---------------|------|-------|
| 27 | GPI027 | RO | 0x0 |
| 26 | GPI026 | RO | 0x0 |
| 25 | GPI025 | RO | 0x0 |
| 24 | GPI024 | RO | 0x0 |
| 23 | GPI023 | RO | 0x0 |
| 22 | GPI022 | RO | 0x0 |
| 21 | GPI021 | RO | 0x0 |
| 20 | GPI020 | RO | 0x0 |
| 19 | GPI019 | RO | 0x0 |
| 18 | GPI018 | RO | 0x0 |
| 17 | GPI017 | RO | 0x0 |
| 16 | GPI016 | RO | 0x0 |
| 15 | GPI015 | RO | 0x0 |
| 14 | GPI014 | RO | 0x0 |
| 13 | GPI013 | RO | 0x0 |
| 12 | GPI012 | RO | 0x0 |
| 11 | GPI011 | RO | 0x0 |
| 10 | GPI010 | RO | 0x0 |
| 9 | GPI09 | RO | 0x0 |
| 8 | GPI08 | RO | 0x0 |
| 7 | GPI07 | RO | 0x0 |
| 6 | GPI06 | RO | 0x0 |
| 5 | GPI05 | RO | 0x0 |
| 4 | GPI04 | RO | 0x0 |
| 3 | GPI03 | RO | 0x0 |
| 2 | GPI02 | RO | 0x0 |
| 1 | GPI01 | RO | 0x0 |
| 0 | GPI00 | RO | 0x0 |

IO_BANK0: IRQSUMMARY_COMA_WAKE_NONSECURE1 Register

Offset: 0x22c

Table 757.
IRQSUMMARY_COMA_WAKE_NONSECURE1 Register

| Bits | Description | Type | Reset |
|-------|---------------|------|-------|
| 31:16 | Reserved. | - | - |
| 15 | GPI047 | RO | 0x0 |
| 14 | GPI046 | RO | 0x0 |
| 13 | GPI045 | RO | 0x0 |

| Bits | Description | Type | Reset |
|------|-------------|------|-------|
| 12 | GPIO44 | RO | 0x0 |
| 11 | GPIO43 | RO | 0x0 |
| 10 | GPIO42 | RO | 0x0 |
| 9 | GPIO41 | RO | 0x0 |
| 8 | GPIO40 | RO | 0x0 |
| 7 | GPIO39 | RO | 0x0 |
| 6 | GPIO38 | RO | 0x0 |
| 5 | GPIO37 | RO | 0x0 |
| 4 | GPIO36 | RO | 0x0 |
| 3 | GPIO35 | RO | 0x0 |
| 2 | GPIO34 | RO | 0x0 |
| 1 | GPIO33 | RO | 0x0 |
| 0 | GPIO32 | RO | 0x0 |

IO_BANK0: INTR0 Register

Offset: 0x230

Description

Raw Interrupts

Table 758. INTR0 Register

| Bits | Description | Type | Reset |
|------|------------------|------|-------|
| 31 | GPIO7_EDGE_HIGH | WC | 0x0 |
| 30 | GPIO7_EDGE_LOW | WC | 0x0 |
| 29 | GPIO7_LEVEL_HIGH | RO | 0x0 |
| 28 | GPIO7_LEVEL_LOW | RO | 0x0 |
| 27 | GPIO6_EDGE_HIGH | WC | 0x0 |
| 26 | GPIO6_EDGE_LOW | WC | 0x0 |
| 25 | GPIO6_LEVEL_HIGH | RO | 0x0 |
| 24 | GPIO6_LEVEL_LOW | RO | 0x0 |
| 23 | GPIO5_EDGE_HIGH | WC | 0x0 |
| 22 | GPIO5_EDGE_LOW | WC | 0x0 |
| 21 | GPIO5_LEVEL_HIGH | RO | 0x0 |
| 20 | GPIO5_LEVEL_LOW | RO | 0x0 |
| 19 | GPIO4_EDGE_HIGH | WC | 0x0 |
| 18 | GPIO4_EDGE_LOW | WC | 0x0 |
| 17 | GPIO4_LEVEL_HIGH | RO | 0x0 |
| 16 | GPIO4_LEVEL_LOW | RO | 0x0 |
| 15 | GPIO3_EDGE_HIGH | WC | 0x0 |

| Bits | Description | Type | Reset |
|------|------------------|------|-------|
| 14 | GPIO3_EDGE_LOW | WC | 0x0 |
| 13 | GPIO3_LEVEL_HIGH | RO | 0x0 |
| 12 | GPIO3_LEVEL_LOW | RO | 0x0 |
| 11 | GPIO2_EDGE_HIGH | WC | 0x0 |
| 10 | GPIO2_EDGE_LOW | WC | 0x0 |
| 9 | GPIO2_LEVEL_HIGH | RO | 0x0 |
| 8 | GPIO2_LEVEL_LOW | RO | 0x0 |
| 7 | GPIO1_EDGE_HIGH | WC | 0x0 |
| 6 | GPIO1_EDGE_LOW | WC | 0x0 |
| 5 | GPIO1_LEVEL_HIGH | RO | 0x0 |
| 4 | GPIO1_LEVEL_LOW | RO | 0x0 |
| 3 | GPIO0_EDGE_HIGH | WC | 0x0 |
| 2 | GPIO0_EDGE_LOW | WC | 0x0 |
| 1 | GPIO0_LEVEL_HIGH | RO | 0x0 |
| 0 | GPIO0_LEVEL_LOW | RO | 0x0 |

IO_BANK0: INTR1 Register

Offset: 0x234

Description

Raw Interrupts

Table 759. INTR1 Register

| Bits | Description | Type | Reset |
|------|-------------------|------|-------|
| 31 | GPIO15_EDGE_HIGH | WC | 0x0 |
| 30 | GPIO15_EDGE_LOW | WC | 0x0 |
| 29 | GPIO15_LEVEL_HIGH | RO | 0x0 |
| 28 | GPIO15_LEVEL_LOW | RO | 0x0 |
| 27 | GPIO14_EDGE_HIGH | WC | 0x0 |
| 26 | GPIO14_EDGE_LOW | WC | 0x0 |
| 25 | GPIO14_LEVEL_HIGH | RO | 0x0 |
| 24 | GPIO14_LEVEL_LOW | RO | 0x0 |
| 23 | GPIO13_EDGE_HIGH | WC | 0x0 |
| 22 | GPIO13_EDGE_LOW | WC | 0x0 |
| 21 | GPIO13_LEVEL_HIGH | RO | 0x0 |
| 20 | GPIO13_LEVEL_LOW | RO | 0x0 |
| 19 | GPIO12_EDGE_HIGH | WC | 0x0 |
| 18 | GPIO12_EDGE_LOW | WC | 0x0 |
| 17 | GPIO12_LEVEL_HIGH | RO | 0x0 |

| Bits | Description | Type | Reset |
|------|-------------------|------|-------|
| 16 | GPIO12_LEVEL_LOW | RO | 0x0 |
| 15 | GPIO11_EDGE_HIGH | WC | 0x0 |
| 14 | GPIO11_EDGE_LOW | WC | 0x0 |
| 13 | GPIO11_LEVEL_HIGH | RO | 0x0 |
| 12 | GPIO11_LEVEL_LOW | RO | 0x0 |
| 11 | GPIO10_EDGE_HIGH | WC | 0x0 |
| 10 | GPIO10_EDGE_LOW | WC | 0x0 |
| 9 | GPIO10_LEVEL_HIGH | RO | 0x0 |
| 8 | GPIO10_LEVEL_LOW | RO | 0x0 |
| 7 | GPIO9_EDGE_HIGH | WC | 0x0 |
| 6 | GPIO9_EDGE_LOW | WC | 0x0 |
| 5 | GPIO9_LEVEL_HIGH | RO | 0x0 |
| 4 | GPIO9_LEVEL_LOW | RO | 0x0 |
| 3 | GPIO8_EDGE_HIGH | WC | 0x0 |
| 2 | GPIO8_EDGE_LOW | WC | 0x0 |
| 1 | GPIO8_LEVEL_HIGH | RO | 0x0 |
| 0 | GPIO8_LEVEL_LOW | RO | 0x0 |

IO_BANK0: INTR2 Register

Offset: 0x238

Description

Raw Interrupts

Table 760. INTR2 Register

| Bits | Description | Type | Reset |
|------|-------------------|------|-------|
| 31 | GPIO23_EDGE_HIGH | WC | 0x0 |
| 30 | GPIO23_EDGE_LOW | WC | 0x0 |
| 29 | GPIO23_LEVEL_HIGH | RO | 0x0 |
| 28 | GPIO23_LEVEL_LOW | RO | 0x0 |
| 27 | GPIO22_EDGE_HIGH | WC | 0x0 |
| 26 | GPIO22_EDGE_LOW | WC | 0x0 |
| 25 | GPIO22_LEVEL_HIGH | RO | 0x0 |
| 24 | GPIO22_LEVEL_LOW | RO | 0x0 |
| 23 | GPIO21_EDGE_HIGH | WC | 0x0 |
| 22 | GPIO21_EDGE_LOW | WC | 0x0 |
| 21 | GPIO21_LEVEL_HIGH | RO | 0x0 |
| 20 | GPIO21_LEVEL_LOW | RO | 0x0 |
| 19 | GPIO20_EDGE_HIGH | WC | 0x0 |

| Bits | Description | Type | Reset |
|------|-------------------|------|-------|
| 18 | GPIO20_EDGE_LOW | WC | 0x0 |
| 17 | GPIO20_LEVEL_HIGH | RO | 0x0 |
| 16 | GPIO20_LEVEL_LOW | RO | 0x0 |
| 15 | GPIO19_EDGE_HIGH | WC | 0x0 |
| 14 | GPIO19_EDGE_LOW | WC | 0x0 |
| 13 | GPIO19_LEVEL_HIGH | RO | 0x0 |
| 12 | GPIO19_LEVEL_LOW | RO | 0x0 |
| 11 | GPIO18_EDGE_HIGH | WC | 0x0 |
| 10 | GPIO18_EDGE_LOW | WC | 0x0 |
| 9 | GPIO18_LEVEL_HIGH | RO | 0x0 |
| 8 | GPIO18_LEVEL_LOW | RO | 0x0 |
| 7 | GPIO17_EDGE_HIGH | WC | 0x0 |
| 6 | GPIO17_EDGE_LOW | WC | 0x0 |
| 5 | GPIO17_LEVEL_HIGH | RO | 0x0 |
| 4 | GPIO17_LEVEL_LOW | RO | 0x0 |
| 3 | GPIO16_EDGE_HIGH | WC | 0x0 |
| 2 | GPIO16_EDGE_LOW | WC | 0x0 |
| 1 | GPIO16_LEVEL_HIGH | RO | 0x0 |
| 0 | GPIO16_LEVEL_LOW | RO | 0x0 |

IO_BANK0: INTR3 Register

Offset: 0x23c

Description

Raw Interrupts

Table 761. INTR3 Register

| Bits | Description | Type | Reset |
|------|-------------------|------|-------|
| 31 | GPIO31_EDGE_HIGH | WC | 0x0 |
| 30 | GPIO31_EDGE_LOW | WC | 0x0 |
| 29 | GPIO31_LEVEL_HIGH | RO | 0x0 |
| 28 | GPIO31_LEVEL_LOW | RO | 0x0 |
| 27 | GPIO30_EDGE_HIGH | WC | 0x0 |
| 26 | GPIO30_EDGE_LOW | WC | 0x0 |
| 25 | GPIO30_LEVEL_HIGH | RO | 0x0 |
| 24 | GPIO30_LEVEL_LOW | RO | 0x0 |
| 23 | GPIO29_EDGE_HIGH | WC | 0x0 |
| 22 | GPIO29_EDGE_LOW | WC | 0x0 |
| 21 | GPIO29_LEVEL_HIGH | RO | 0x0 |

| Bits | Description | Type | Reset |
|------|-------------------|------|-------|
| 20 | GPIO29_LEVEL_LOW | RO | 0x0 |
| 19 | GPIO28_EDGE_HIGH | WC | 0x0 |
| 18 | GPIO28_EDGE_LOW | WC | 0x0 |
| 17 | GPIO28_LEVEL_HIGH | RO | 0x0 |
| 16 | GPIO28_LEVEL_LOW | RO | 0x0 |
| 15 | GPIO27_EDGE_HIGH | WC | 0x0 |
| 14 | GPIO27_EDGE_LOW | WC | 0x0 |
| 13 | GPIO27_LEVEL_HIGH | RO | 0x0 |
| 12 | GPIO27_LEVEL_LOW | RO | 0x0 |
| 11 | GPIO26_EDGE_HIGH | WC | 0x0 |
| 10 | GPIO26_EDGE_LOW | WC | 0x0 |
| 9 | GPIO26_LEVEL_HIGH | RO | 0x0 |
| 8 | GPIO26_LEVEL_LOW | RO | 0x0 |
| 7 | GPIO25_EDGE_HIGH | WC | 0x0 |
| 6 | GPIO25_EDGE_LOW | WC | 0x0 |
| 5 | GPIO25_LEVEL_HIGH | RO | 0x0 |
| 4 | GPIO25_LEVEL_LOW | RO | 0x0 |
| 3 | GPIO24_EDGE_HIGH | WC | 0x0 |
| 2 | GPIO24_EDGE_LOW | WC | 0x0 |
| 1 | GPIO24_LEVEL_HIGH | RO | 0x0 |
| 0 | GPIO24_LEVEL_LOW | RO | 0x0 |

IO_BANK0: INTR4 Register

Offset: 0x240

Description

Raw Interrupts

Table 762. INTR4 Register

| Bits | Description | Type | Reset |
|------|-------------------|------|-------|
| 31 | GPIO39_EDGE_HIGH | WC | 0x0 |
| 30 | GPIO39_EDGE_LOW | WC | 0x0 |
| 29 | GPIO39_LEVEL_HIGH | RO | 0x0 |
| 28 | GPIO39_LEVEL_LOW | RO | 0x0 |
| 27 | GPIO38_EDGE_HIGH | WC | 0x0 |
| 26 | GPIO38_EDGE_LOW | WC | 0x0 |
| 25 | GPIO38_LEVEL_HIGH | RO | 0x0 |
| 24 | GPIO38_LEVEL_LOW | RO | 0x0 |
| 23 | GPIO37_EDGE_HIGH | WC | 0x0 |

| Bits | Description | Type | Reset |
|------|-------------------|------|-------|
| 22 | GPIO37_EDGE_LOW | WC | 0x0 |
| 21 | GPIO37_LEVEL_HIGH | RO | 0x0 |
| 20 | GPIO37_LEVEL_LOW | RO | 0x0 |
| 19 | GPIO36_EDGE_HIGH | WC | 0x0 |
| 18 | GPIO36_EDGE_LOW | WC | 0x0 |
| 17 | GPIO36_LEVEL_HIGH | RO | 0x0 |
| 16 | GPIO36_LEVEL_LOW | RO | 0x0 |
| 15 | GPIO35_EDGE_HIGH | WC | 0x0 |
| 14 | GPIO35_EDGE_LOW | WC | 0x0 |
| 13 | GPIO35_LEVEL_HIGH | RO | 0x0 |
| 12 | GPIO35_LEVEL_LOW | RO | 0x0 |
| 11 | GPIO34_EDGE_HIGH | WC | 0x0 |
| 10 | GPIO34_EDGE_LOW | WC | 0x0 |
| 9 | GPIO34_LEVEL_HIGH | RO | 0x0 |
| 8 | GPIO34_LEVEL_LOW | RO | 0x0 |
| 7 | GPIO33_EDGE_HIGH | WC | 0x0 |
| 6 | GPIO33_EDGE_LOW | WC | 0x0 |
| 5 | GPIO33_LEVEL_HIGH | RO | 0x0 |
| 4 | GPIO33_LEVEL_LOW | RO | 0x0 |
| 3 | GPIO32_EDGE_HIGH | WC | 0x0 |
| 2 | GPIO32_EDGE_LOW | WC | 0x0 |
| 1 | GPIO32_LEVEL_HIGH | RO | 0x0 |
| 0 | GPIO32_LEVEL_LOW | RO | 0x0 |

IO_BANK0: INTR5 Register

Offset: 0x244

Description

Raw Interrupts

Table 763. INTR5 Register

| Bits | Description | Type | Reset |
|------|-------------------|------|-------|
| 31 | GPIO47_EDGE_HIGH | WC | 0x0 |
| 30 | GPIO47_EDGE_LOW | WC | 0x0 |
| 29 | GPIO47_LEVEL_HIGH | RO | 0x0 |
| 28 | GPIO47_LEVEL_LOW | RO | 0x0 |
| 27 | GPIO46_EDGE_HIGH | WC | 0x0 |
| 26 | GPIO46_EDGE_LOW | WC | 0x0 |
| 25 | GPIO46_LEVEL_HIGH | RO | 0x0 |

| Bits | Description | Type | Reset |
|------|-------------------|------|-------|
| 24 | GPIO46_LEVEL_LOW | RO | 0x0 |
| 23 | GPIO45_EDGE_HIGH | WC | 0x0 |
| 22 | GPIO45_EDGE_LOW | WC | 0x0 |
| 21 | GPIO45_LEVEL_HIGH | RO | 0x0 |
| 20 | GPIO45_LEVEL_LOW | RO | 0x0 |
| 19 | GPIO44_EDGE_HIGH | WC | 0x0 |
| 18 | GPIO44_EDGE_LOW | WC | 0x0 |
| 17 | GPIO44_LEVEL_HIGH | RO | 0x0 |
| 16 | GPIO44_LEVEL_LOW | RO | 0x0 |
| 15 | GPIO43_EDGE_HIGH | WC | 0x0 |
| 14 | GPIO43_EDGE_LOW | WC | 0x0 |
| 13 | GPIO43_LEVEL_HIGH | RO | 0x0 |
| 12 | GPIO43_LEVEL_LOW | RO | 0x0 |
| 11 | GPIO42_EDGE_HIGH | WC | 0x0 |
| 10 | GPIO42_EDGE_LOW | WC | 0x0 |
| 9 | GPIO42_LEVEL_HIGH | RO | 0x0 |
| 8 | GPIO42_LEVEL_LOW | RO | 0x0 |
| 7 | GPIO41_EDGE_HIGH | WC | 0x0 |
| 6 | GPIO41_EDGE_LOW | WC | 0x0 |
| 5 | GPIO41_LEVEL_HIGH | RO | 0x0 |
| 4 | GPIO41_LEVEL_LOW | RO | 0x0 |
| 3 | GPIO40_EDGE_HIGH | WC | 0x0 |
| 2 | GPIO40_EDGE_LOW | WC | 0x0 |
| 1 | GPIO40_LEVEL_HIGH | RO | 0x0 |
| 0 | GPIO40_LEVEL_LOW | RO | 0x0 |

IO_BANK0: PROC0_INTE0 Register

Offset: 0x248

Description

Interrupt Enable for proc0

Table 764.
PROC0_INTE0 Register

| Bits | Description | Type | Reset |
|------|-------------------|------|-------|
| 31 | GPIO07_EDGE_HIGH | RW | 0x0 |
| 30 | GPIO07_EDGE_LOW | RW | 0x0 |
| 29 | GPIO07_LEVEL_HIGH | RW | 0x0 |
| 28 | GPIO07_LEVEL_LOW | RW | 0x0 |
| 27 | GPIO06_EDGE_HIGH | RW | 0x0 |

| Bits | Description | Type | Reset |
|------|------------------|------|-------|
| 26 | GPIO6_EDGE_LOW | RW | 0x0 |
| 25 | GPIO6_LEVEL_HIGH | RW | 0x0 |
| 24 | GPIO6_LEVEL_LOW | RW | 0x0 |
| 23 | GPIO5_EDGE_HIGH | RW | 0x0 |
| 22 | GPIO5_EDGE_LOW | RW | 0x0 |
| 21 | GPIO5_LEVEL_HIGH | RW | 0x0 |
| 20 | GPIO5_LEVEL_LOW | RW | 0x0 |
| 19 | GPIO4_EDGE_HIGH | RW | 0x0 |
| 18 | GPIO4_EDGE_LOW | RW | 0x0 |
| 17 | GPIO4_LEVEL_HIGH | RW | 0x0 |
| 16 | GPIO4_LEVEL_LOW | RW | 0x0 |
| 15 | GPIO3_EDGE_HIGH | RW | 0x0 |
| 14 | GPIO3_EDGE_LOW | RW | 0x0 |
| 13 | GPIO3_LEVEL_HIGH | RW | 0x0 |
| 12 | GPIO3_LEVEL_LOW | RW | 0x0 |
| 11 | GPIO2_EDGE_HIGH | RW | 0x0 |
| 10 | GPIO2_EDGE_LOW | RW | 0x0 |
| 9 | GPIO2_LEVEL_HIGH | RW | 0x0 |
| 8 | GPIO2_LEVEL_LOW | RW | 0x0 |
| 7 | GPIO1_EDGE_HIGH | RW | 0x0 |
| 6 | GPIO1_EDGE_LOW | RW | 0x0 |
| 5 | GPIO1_LEVEL_HIGH | RW | 0x0 |
| 4 | GPIO1_LEVEL_LOW | RW | 0x0 |
| 3 | GPIO0_EDGE_HIGH | RW | 0x0 |
| 2 | GPIO0_EDGE_LOW | RW | 0x0 |
| 1 | GPIO0_LEVEL_HIGH | RW | 0x0 |
| 0 | GPIO0_LEVEL_LOW | RW | 0x0 |

IO_BANK0: PROC0_INTE1 Register

Offset: 0x24c

Description

Interrupt Enable for proc0

Table 765.
PROC0_INTE1 Register

| Bits | Description | Type | Reset |
|------|-------------------|------|-------|
| 31 | GPIO15_EDGE_HIGH | RW | 0x0 |
| 30 | GPIO15_EDGE_LOW | RW | 0x0 |
| 29 | GPIO15_LEVEL_HIGH | RW | 0x0 |

| Bits | Description | Type | Reset |
|------|-------------------|------|-------|
| 28 | GPIO15_LEVEL_LOW | RW | 0x0 |
| 27 | GPIO14_EDGE_HIGH | RW | 0x0 |
| 26 | GPIO14_EDGE_LOW | RW | 0x0 |
| 25 | GPIO14_LEVEL_HIGH | RW | 0x0 |
| 24 | GPIO14_LEVEL_LOW | RW | 0x0 |
| 23 | GPIO13_EDGE_HIGH | RW | 0x0 |
| 22 | GPIO13_EDGE_LOW | RW | 0x0 |
| 21 | GPIO13_LEVEL_HIGH | RW | 0x0 |
| 20 | GPIO13_LEVEL_LOW | RW | 0x0 |
| 19 | GPIO12_EDGE_HIGH | RW | 0x0 |
| 18 | GPIO12_EDGE_LOW | RW | 0x0 |
| 17 | GPIO12_LEVEL_HIGH | RW | 0x0 |
| 16 | GPIO12_LEVEL_LOW | RW | 0x0 |
| 15 | GPIO11_EDGE_HIGH | RW | 0x0 |
| 14 | GPIO11_EDGE_LOW | RW | 0x0 |
| 13 | GPIO11_LEVEL_HIGH | RW | 0x0 |
| 12 | GPIO11_LEVEL_LOW | RW | 0x0 |
| 11 | GPIO10_EDGE_HIGH | RW | 0x0 |
| 10 | GPIO10_EDGE_LOW | RW | 0x0 |
| 9 | GPIO10_LEVEL_HIGH | RW | 0x0 |
| 8 | GPIO10_LEVEL_LOW | RW | 0x0 |
| 7 | GPIO9_EDGE_HIGH | RW | 0x0 |
| 6 | GPIO9_EDGE_LOW | RW | 0x0 |
| 5 | GPIO9_LEVEL_HIGH | RW | 0x0 |
| 4 | GPIO9_LEVEL_LOW | RW | 0x0 |
| 3 | GPIO8_EDGE_HIGH | RW | 0x0 |
| 2 | GPIO8_EDGE_LOW | RW | 0x0 |
| 1 | GPIO8_LEVEL_HIGH | RW | 0x0 |
| 0 | GPIO8_LEVEL_LOW | RW | 0x0 |

IO_BANK0: PROC0_INTE2 Register

Offset: 0x250

Description

Interrupt Enable for proc0

Table 766.
PROC0_INTE2 Register

| Bits | Description | Type | Reset |
|------|------------------|------|-------|
| 31 | GPIO23_EDGE_HIGH | RW | 0x0 |

| Bits | Description | Type | Reset |
|------|-------------------|------|-------|
| 30 | GPIO23_EDGE_LOW | RW | 0x0 |
| 29 | GPIO23_LEVEL_HIGH | RW | 0x0 |
| 28 | GPIO23_LEVEL_LOW | RW | 0x0 |
| 27 | GPIO22_EDGE_HIGH | RW | 0x0 |
| 26 | GPIO22_EDGE_LOW | RW | 0x0 |
| 25 | GPIO22_LEVEL_HIGH | RW | 0x0 |
| 24 | GPIO22_LEVEL_LOW | RW | 0x0 |
| 23 | GPIO21_EDGE_HIGH | RW | 0x0 |
| 22 | GPIO21_EDGE_LOW | RW | 0x0 |
| 21 | GPIO21_LEVEL_HIGH | RW | 0x0 |
| 20 | GPIO21_LEVEL_LOW | RW | 0x0 |
| 19 | GPIO20_EDGE_HIGH | RW | 0x0 |
| 18 | GPIO20_EDGE_LOW | RW | 0x0 |
| 17 | GPIO20_LEVEL_HIGH | RW | 0x0 |
| 16 | GPIO20_LEVEL_LOW | RW | 0x0 |
| 15 | GPIO19_EDGE_HIGH | RW | 0x0 |
| 14 | GPIO19_EDGE_LOW | RW | 0x0 |
| 13 | GPIO19_LEVEL_HIGH | RW | 0x0 |
| 12 | GPIO19_LEVEL_LOW | RW | 0x0 |
| 11 | GPIO18_EDGE_HIGH | RW | 0x0 |
| 10 | GPIO18_EDGE_LOW | RW | 0x0 |
| 9 | GPIO18_LEVEL_HIGH | RW | 0x0 |
| 8 | GPIO18_LEVEL_LOW | RW | 0x0 |
| 7 | GPIO17_EDGE_HIGH | RW | 0x0 |
| 6 | GPIO17_EDGE_LOW | RW | 0x0 |
| 5 | GPIO17_LEVEL_HIGH | RW | 0x0 |
| 4 | GPIO17_LEVEL_LOW | RW | 0x0 |
| 3 | GPIO16_EDGE_HIGH | RW | 0x0 |
| 2 | GPIO16_EDGE_LOW | RW | 0x0 |
| 1 | GPIO16_LEVEL_HIGH | RW | 0x0 |
| 0 | GPIO16_LEVEL_LOW | RW | 0x0 |

IO_BANK0: PROC0_INTE3 Register

Offset: 0x254

Description

Interrupt Enable for proc0

Table 767.
PROC0_INTE3 Register

| Bits | Description | Type | Reset |
|------|-------------------|------|-------|
| 31 | GPIO31_EDGE_HIGH | RW | 0x0 |
| 30 | GPIO31_EDGE_LOW | RW | 0x0 |
| 29 | GPIO31_LEVEL_HIGH | RW | 0x0 |
| 28 | GPIO31_LEVEL_LOW | RW | 0x0 |
| 27 | GPIO30_EDGE_HIGH | RW | 0x0 |
| 26 | GPIO30_EDGE_LOW | RW | 0x0 |
| 25 | GPIO30_LEVEL_HIGH | RW | 0x0 |
| 24 | GPIO30_LEVEL_LOW | RW | 0x0 |
| 23 | GPIO29_EDGE_HIGH | RW | 0x0 |
| 22 | GPIO29_EDGE_LOW | RW | 0x0 |
| 21 | GPIO29_LEVEL_HIGH | RW | 0x0 |
| 20 | GPIO29_LEVEL_LOW | RW | 0x0 |
| 19 | GPIO28_EDGE_HIGH | RW | 0x0 |
| 18 | GPIO28_EDGE_LOW | RW | 0x0 |
| 17 | GPIO28_LEVEL_HIGH | RW | 0x0 |
| 16 | GPIO28_LEVEL_LOW | RW | 0x0 |
| 15 | GPIO27_EDGE_HIGH | RW | 0x0 |
| 14 | GPIO27_EDGE_LOW | RW | 0x0 |
| 13 | GPIO27_LEVEL_HIGH | RW | 0x0 |
| 12 | GPIO27_LEVEL_LOW | RW | 0x0 |
| 11 | GPIO26_EDGE_HIGH | RW | 0x0 |
| 10 | GPIO26_EDGE_LOW | RW | 0x0 |
| 9 | GPIO26_LEVEL_HIGH | RW | 0x0 |
| 8 | GPIO26_LEVEL_LOW | RW | 0x0 |
| 7 | GPIO25_EDGE_HIGH | RW | 0x0 |
| 6 | GPIO25_EDGE_LOW | RW | 0x0 |
| 5 | GPIO25_LEVEL_HIGH | RW | 0x0 |
| 4 | GPIO25_LEVEL_LOW | RW | 0x0 |
| 3 | GPIO24_EDGE_HIGH | RW | 0x0 |
| 2 | GPIO24_EDGE_LOW | RW | 0x0 |
| 1 | GPIO24_LEVEL_HIGH | RW | 0x0 |
| 0 | GPIO24_LEVEL_LOW | RW | 0x0 |

IO_BANK0: PROC0_INTE4 Register

Offset: 0x258

Description

Interrupt Enable for proc0

Table 768.
PROC0_INTE4 Register

| Bits | Description | Type | Reset |
|------|-------------------|------|-------|
| 31 | GPIO39_EDGE_HIGH | RW | 0x0 |
| 30 | GPIO39_EDGE_LOW | RW | 0x0 |
| 29 | GPIO39_LEVEL_HIGH | RW | 0x0 |
| 28 | GPIO39_LEVEL_LOW | RW | 0x0 |
| 27 | GPIO38_EDGE_HIGH | RW | 0x0 |
| 26 | GPIO38_EDGE_LOW | RW | 0x0 |
| 25 | GPIO38_LEVEL_HIGH | RW | 0x0 |
| 24 | GPIO38_LEVEL_LOW | RW | 0x0 |
| 23 | GPIO37_EDGE_HIGH | RW | 0x0 |
| 22 | GPIO37_EDGE_LOW | RW | 0x0 |
| 21 | GPIO37_LEVEL_HIGH | RW | 0x0 |
| 20 | GPIO37_LEVEL_LOW | RW | 0x0 |
| 19 | GPIO36_EDGE_HIGH | RW | 0x0 |
| 18 | GPIO36_EDGE_LOW | RW | 0x0 |
| 17 | GPIO36_LEVEL_HIGH | RW | 0x0 |
| 16 | GPIO36_LEVEL_LOW | RW | 0x0 |
| 15 | GPIO35_EDGE_HIGH | RW | 0x0 |
| 14 | GPIO35_EDGE_LOW | RW | 0x0 |
| 13 | GPIO35_LEVEL_HIGH | RW | 0x0 |
| 12 | GPIO35_LEVEL_LOW | RW | 0x0 |
| 11 | GPIO34_EDGE_HIGH | RW | 0x0 |
| 10 | GPIO34_EDGE_LOW | RW | 0x0 |
| 9 | GPIO34_LEVEL_HIGH | RW | 0x0 |
| 8 | GPIO34_LEVEL_LOW | RW | 0x0 |
| 7 | GPIO33_EDGE_HIGH | RW | 0x0 |
| 6 | GPIO33_EDGE_LOW | RW | 0x0 |
| 5 | GPIO33_LEVEL_HIGH | RW | 0x0 |
| 4 | GPIO33_LEVEL_LOW | RW | 0x0 |
| 3 | GPIO32_EDGE_HIGH | RW | 0x0 |
| 2 | GPIO32_EDGE_LOW | RW | 0x0 |
| 1 | GPIO32_LEVEL_HIGH | RW | 0x0 |
| 0 | GPIO32_LEVEL_LOW | RW | 0x0 |

IO_BANK0: PROC0_INTE5 Register

Offset: 0x25c

Description

Interrupt Enable for proc0

Table 769.
PROC0_INTE5 Register

| Bits | Description | Type | Reset |
|------|-------------------|------|-------|
| 31 | GPIO47_EDGE_HIGH | RW | 0x0 |
| 30 | GPIO47_EDGE_LOW | RW | 0x0 |
| 29 | GPIO47_LEVEL_HIGH | RW | 0x0 |
| 28 | GPIO47_LEVEL_LOW | RW | 0x0 |
| 27 | GPIO46_EDGE_HIGH | RW | 0x0 |
| 26 | GPIO46_EDGE_LOW | RW | 0x0 |
| 25 | GPIO46_LEVEL_HIGH | RW | 0x0 |
| 24 | GPIO46_LEVEL_LOW | RW | 0x0 |
| 23 | GPIO45_EDGE_HIGH | RW | 0x0 |
| 22 | GPIO45_EDGE_LOW | RW | 0x0 |
| 21 | GPIO45_LEVEL_HIGH | RW | 0x0 |
| 20 | GPIO45_LEVEL_LOW | RW | 0x0 |
| 19 | GPIO44_EDGE_HIGH | RW | 0x0 |
| 18 | GPIO44_EDGE_LOW | RW | 0x0 |
| 17 | GPIO44_LEVEL_HIGH | RW | 0x0 |
| 16 | GPIO44_LEVEL_LOW | RW | 0x0 |
| 15 | GPIO43_EDGE_HIGH | RW | 0x0 |
| 14 | GPIO43_EDGE_LOW | RW | 0x0 |
| 13 | GPIO43_LEVEL_HIGH | RW | 0x0 |
| 12 | GPIO43_LEVEL_LOW | RW | 0x0 |
| 11 | GPIO42_EDGE_HIGH | RW | 0x0 |
| 10 | GPIO42_EDGE_LOW | RW | 0x0 |
| 9 | GPIO42_LEVEL_HIGH | RW | 0x0 |
| 8 | GPIO42_LEVEL_LOW | RW | 0x0 |
| 7 | GPIO41_EDGE_HIGH | RW | 0x0 |
| 6 | GPIO41_EDGE_LOW | RW | 0x0 |
| 5 | GPIO41_LEVEL_HIGH | RW | 0x0 |
| 4 | GPIO41_LEVEL_LOW | RW | 0x0 |
| 3 | GPIO40_EDGE_HIGH | RW | 0x0 |
| 2 | GPIO40_EDGE_LOW | RW | 0x0 |
| 1 | GPIO40_LEVEL_HIGH | RW | 0x0 |
| 0 | GPIO40_LEVEL_LOW | RW | 0x0 |

IO_BANK0: PROC0_INTF0 Register

Offset: 0x260

Description

Interrupt Force for proc0

Table 770.
PROC0_INTF0 Register

| Bits | Description | Type | Reset |
|------|------------------|------|-------|
| 31 | GPIO7_EDGE_HIGH | RW | 0x0 |
| 30 | GPIO7_EDGE_LOW | RW | 0x0 |
| 29 | GPIO7_LEVEL_HIGH | RW | 0x0 |
| 28 | GPIO7_LEVEL_LOW | RW | 0x0 |
| 27 | GPIO6_EDGE_HIGH | RW | 0x0 |
| 26 | GPIO6_EDGE_LOW | RW | 0x0 |
| 25 | GPIO6_LEVEL_HIGH | RW | 0x0 |
| 24 | GPIO6_LEVEL_LOW | RW | 0x0 |
| 23 | GPIO5_EDGE_HIGH | RW | 0x0 |
| 22 | GPIO5_EDGE_LOW | RW | 0x0 |
| 21 | GPIO5_LEVEL_HIGH | RW | 0x0 |
| 20 | GPIO5_LEVEL_LOW | RW | 0x0 |
| 19 | GPIO4_EDGE_HIGH | RW | 0x0 |
| 18 | GPIO4_EDGE_LOW | RW | 0x0 |
| 17 | GPIO4_LEVEL_HIGH | RW | 0x0 |
| 16 | GPIO4_LEVEL_LOW | RW | 0x0 |
| 15 | GPIO3_EDGE_HIGH | RW | 0x0 |
| 14 | GPIO3_EDGE_LOW | RW | 0x0 |
| 13 | GPIO3_LEVEL_HIGH | RW | 0x0 |
| 12 | GPIO3_LEVEL_LOW | RW | 0x0 |
| 11 | GPIO2_EDGE_HIGH | RW | 0x0 |
| 10 | GPIO2_EDGE_LOW | RW | 0x0 |
| 9 | GPIO2_LEVEL_HIGH | RW | 0x0 |
| 8 | GPIO2_LEVEL_LOW | RW | 0x0 |
| 7 | GPIO1_EDGE_HIGH | RW | 0x0 |
| 6 | GPIO1_EDGE_LOW | RW | 0x0 |
| 5 | GPIO1_LEVEL_HIGH | RW | 0x0 |
| 4 | GPIO1_LEVEL_LOW | RW | 0x0 |
| 3 | GPIO0_EDGE_HIGH | RW | 0x0 |
| 2 | GPIO0_EDGE_LOW | RW | 0x0 |
| 1 | GPIO0_LEVEL_HIGH | RW | 0x0 |
| 0 | GPIO0_LEVEL_LOW | RW | 0x0 |

IO_BANK0: PROC0_INTF1 Register

Offset: 0x264

Description

Interrupt Force for proc0

Table 771.
PROC0_INTF1 Register

| Bits | Description | Type | Reset |
|------|-------------------|------|-------|
| 31 | GPIO15_EDGE_HIGH | RW | 0x0 |
| 30 | GPIO15_EDGE_LOW | RW | 0x0 |
| 29 | GPIO15_LEVEL_HIGH | RW | 0x0 |
| 28 | GPIO15_LEVEL_LOW | RW | 0x0 |
| 27 | GPIO14_EDGE_HIGH | RW | 0x0 |
| 26 | GPIO14_EDGE_LOW | RW | 0x0 |
| 25 | GPIO14_LEVEL_HIGH | RW | 0x0 |
| 24 | GPIO14_LEVEL_LOW | RW | 0x0 |
| 23 | GPIO13_EDGE_HIGH | RW | 0x0 |
| 22 | GPIO13_EDGE_LOW | RW | 0x0 |
| 21 | GPIO13_LEVEL_HIGH | RW | 0x0 |
| 20 | GPIO13_LEVEL_LOW | RW | 0x0 |
| 19 | GPIO12_EDGE_HIGH | RW | 0x0 |
| 18 | GPIO12_EDGE_LOW | RW | 0x0 |
| 17 | GPIO12_LEVEL_HIGH | RW | 0x0 |
| 16 | GPIO12_LEVEL_LOW | RW | 0x0 |
| 15 | GPIO11_EDGE_HIGH | RW | 0x0 |
| 14 | GPIO11_EDGE_LOW | RW | 0x0 |
| 13 | GPIO11_LEVEL_HIGH | RW | 0x0 |
| 12 | GPIO11_LEVEL_LOW | RW | 0x0 |
| 11 | GPIO10_EDGE_HIGH | RW | 0x0 |
| 10 | GPIO10_EDGE_LOW | RW | 0x0 |
| 9 | GPIO10_LEVEL_HIGH | RW | 0x0 |
| 8 | GPIO10_LEVEL_LOW | RW | 0x0 |
| 7 | GPIO9_EDGE_HIGH | RW | 0x0 |
| 6 | GPIO9_EDGE_LOW | RW | 0x0 |
| 5 | GPIO9_LEVEL_HIGH | RW | 0x0 |
| 4 | GPIO9_LEVEL_LOW | RW | 0x0 |
| 3 | GPIO8_EDGE_HIGH | RW | 0x0 |
| 2 | GPIO8_EDGE_LOW | RW | 0x0 |
| 1 | GPIO8_LEVEL_HIGH | RW | 0x0 |
| 0 | GPIO8_LEVEL_LOW | RW | 0x0 |

IO_BANK0: PROC0_INTF2 Register

Offset: 0x268

Description

Interrupt Force for proc0

Table 772.
PROC0_INTF2 Register

| Bits | Description | Type | Reset |
|------|-------------------|------|-------|
| 31 | GPIO23_EDGE_HIGH | RW | 0x0 |
| 30 | GPIO23_EDGE_LOW | RW | 0x0 |
| 29 | GPIO23_LEVEL_HIGH | RW | 0x0 |
| 28 | GPIO23_LEVEL_LOW | RW | 0x0 |
| 27 | GPIO22_EDGE_HIGH | RW | 0x0 |
| 26 | GPIO22_EDGE_LOW | RW | 0x0 |
| 25 | GPIO22_LEVEL_HIGH | RW | 0x0 |
| 24 | GPIO22_LEVEL_LOW | RW | 0x0 |
| 23 | GPIO21_EDGE_HIGH | RW | 0x0 |
| 22 | GPIO21_EDGE_LOW | RW | 0x0 |
| 21 | GPIO21_LEVEL_HIGH | RW | 0x0 |
| 20 | GPIO21_LEVEL_LOW | RW | 0x0 |
| 19 | GPIO20_EDGE_HIGH | RW | 0x0 |
| 18 | GPIO20_EDGE_LOW | RW | 0x0 |
| 17 | GPIO20_LEVEL_HIGH | RW | 0x0 |
| 16 | GPIO20_LEVEL_LOW | RW | 0x0 |
| 15 | GPIO19_EDGE_HIGH | RW | 0x0 |
| 14 | GPIO19_EDGE_LOW | RW | 0x0 |
| 13 | GPIO19_LEVEL_HIGH | RW | 0x0 |
| 12 | GPIO19_LEVEL_LOW | RW | 0x0 |
| 11 | GPIO18_EDGE_HIGH | RW | 0x0 |
| 10 | GPIO18_EDGE_LOW | RW | 0x0 |
| 9 | GPIO18_LEVEL_HIGH | RW | 0x0 |
| 8 | GPIO18_LEVEL_LOW | RW | 0x0 |
| 7 | GPIO17_EDGE_HIGH | RW | 0x0 |
| 6 | GPIO17_EDGE_LOW | RW | 0x0 |
| 5 | GPIO17_LEVEL_HIGH | RW | 0x0 |
| 4 | GPIO17_LEVEL_LOW | RW | 0x0 |
| 3 | GPIO16_EDGE_HIGH | RW | 0x0 |
| 2 | GPIO16_EDGE_LOW | RW | 0x0 |
| 1 | GPIO16_LEVEL_HIGH | RW | 0x0 |
| 0 | GPIO16_LEVEL_LOW | RW | 0x0 |

IO_BANK0: PROC0_INTF3 Register

Offset: 0x26c

Description

Interrupt Force for proc0

Table 773.
PROC0_INTF3 Register

| Bits | Description | Type | Reset |
|------|-------------------|------|-------|
| 31 | GPIO31_EDGE_HIGH | RW | 0x0 |
| 30 | GPIO31_EDGE_LOW | RW | 0x0 |
| 29 | GPIO31_LEVEL_HIGH | RW | 0x0 |
| 28 | GPIO31_LEVEL_LOW | RW | 0x0 |
| 27 | GPIO30_EDGE_HIGH | RW | 0x0 |
| 26 | GPIO30_EDGE_LOW | RW | 0x0 |
| 25 | GPIO30_LEVEL_HIGH | RW | 0x0 |
| 24 | GPIO30_LEVEL_LOW | RW | 0x0 |
| 23 | GPIO29_EDGE_HIGH | RW | 0x0 |
| 22 | GPIO29_EDGE_LOW | RW | 0x0 |
| 21 | GPIO29_LEVEL_HIGH | RW | 0x0 |
| 20 | GPIO29_LEVEL_LOW | RW | 0x0 |
| 19 | GPIO28_EDGE_HIGH | RW | 0x0 |
| 18 | GPIO28_EDGE_LOW | RW | 0x0 |
| 17 | GPIO28_LEVEL_HIGH | RW | 0x0 |
| 16 | GPIO28_LEVEL_LOW | RW | 0x0 |
| 15 | GPIO27_EDGE_HIGH | RW | 0x0 |
| 14 | GPIO27_EDGE_LOW | RW | 0x0 |
| 13 | GPIO27_LEVEL_HIGH | RW | 0x0 |
| 12 | GPIO27_LEVEL_LOW | RW | 0x0 |
| 11 | GPIO26_EDGE_HIGH | RW | 0x0 |
| 10 | GPIO26_EDGE_LOW | RW | 0x0 |
| 9 | GPIO26_LEVEL_HIGH | RW | 0x0 |
| 8 | GPIO26_LEVEL_LOW | RW | 0x0 |
| 7 | GPIO25_EDGE_HIGH | RW | 0x0 |
| 6 | GPIO25_EDGE_LOW | RW | 0x0 |
| 5 | GPIO25_LEVEL_HIGH | RW | 0x0 |
| 4 | GPIO25_LEVEL_LOW | RW | 0x0 |
| 3 | GPIO24_EDGE_HIGH | RW | 0x0 |
| 2 | GPIO24_EDGE_LOW | RW | 0x0 |
| 1 | GPIO24_LEVEL_HIGH | RW | 0x0 |
| 0 | GPIO24_LEVEL_LOW | RW | 0x0 |

IO_BANK0: PROC0_INTF4 Register

Offset: 0x270

Description

Interrupt Force for proc0

Table 774.
PROC0_INTF4 Register

| Bits | Description | Type | Reset |
|------|-------------------|------|-------|
| 31 | GPIO39_EDGE_HIGH | RW | 0x0 |
| 30 | GPIO39_EDGE_LOW | RW | 0x0 |
| 29 | GPIO39_LEVEL_HIGH | RW | 0x0 |
| 28 | GPIO39_LEVEL_LOW | RW | 0x0 |
| 27 | GPIO38_EDGE_HIGH | RW | 0x0 |
| 26 | GPIO38_EDGE_LOW | RW | 0x0 |
| 25 | GPIO38_LEVEL_HIGH | RW | 0x0 |
| 24 | GPIO38_LEVEL_LOW | RW | 0x0 |
| 23 | GPIO37_EDGE_HIGH | RW | 0x0 |
| 22 | GPIO37_EDGE_LOW | RW | 0x0 |
| 21 | GPIO37_LEVEL_HIGH | RW | 0x0 |
| 20 | GPIO37_LEVEL_LOW | RW | 0x0 |
| 19 | GPIO36_EDGE_HIGH | RW | 0x0 |
| 18 | GPIO36_EDGE_LOW | RW | 0x0 |
| 17 | GPIO36_LEVEL_HIGH | RW | 0x0 |
| 16 | GPIO36_LEVEL_LOW | RW | 0x0 |
| 15 | GPIO35_EDGE_HIGH | RW | 0x0 |
| 14 | GPIO35_EDGE_LOW | RW | 0x0 |
| 13 | GPIO35_LEVEL_HIGH | RW | 0x0 |
| 12 | GPIO35_LEVEL_LOW | RW | 0x0 |
| 11 | GPIO34_EDGE_HIGH | RW | 0x0 |
| 10 | GPIO34_EDGE_LOW | RW | 0x0 |
| 9 | GPIO34_LEVEL_HIGH | RW | 0x0 |
| 8 | GPIO34_LEVEL_LOW | RW | 0x0 |
| 7 | GPIO33_EDGE_HIGH | RW | 0x0 |
| 6 | GPIO33_EDGE_LOW | RW | 0x0 |
| 5 | GPIO33_LEVEL_HIGH | RW | 0x0 |
| 4 | GPIO33_LEVEL_LOW | RW | 0x0 |
| 3 | GPIO32_EDGE_HIGH | RW | 0x0 |
| 2 | GPIO32_EDGE_LOW | RW | 0x0 |
| 1 | GPIO32_LEVEL_HIGH | RW | 0x0 |
| 0 | GPIO32_LEVEL_LOW | RW | 0x0 |

IO_BANK0: PROC0_INTF5 Register

Offset: 0x274

Description

Interrupt Force for proc0

Table 775.
PROC0_INTF5 Register

| Bits | Description | Type | Reset |
|------|-------------------|------|-------|
| 31 | GPIO47_EDGE_HIGH | RW | 0x0 |
| 30 | GPIO47_EDGE_LOW | RW | 0x0 |
| 29 | GPIO47_LEVEL_HIGH | RW | 0x0 |
| 28 | GPIO47_LEVEL_LOW | RW | 0x0 |
| 27 | GPIO46_EDGE_HIGH | RW | 0x0 |
| 26 | GPIO46_EDGE_LOW | RW | 0x0 |
| 25 | GPIO46_LEVEL_HIGH | RW | 0x0 |
| 24 | GPIO46_LEVEL_LOW | RW | 0x0 |
| 23 | GPIO45_EDGE_HIGH | RW | 0x0 |
| 22 | GPIO45_EDGE_LOW | RW | 0x0 |
| 21 | GPIO45_LEVEL_HIGH | RW | 0x0 |
| 20 | GPIO45_LEVEL_LOW | RW | 0x0 |
| 19 | GPIO44_EDGE_HIGH | RW | 0x0 |
| 18 | GPIO44_EDGE_LOW | RW | 0x0 |
| 17 | GPIO44_LEVEL_HIGH | RW | 0x0 |
| 16 | GPIO44_LEVEL_LOW | RW | 0x0 |
| 15 | GPIO43_EDGE_HIGH | RW | 0x0 |
| 14 | GPIO43_EDGE_LOW | RW | 0x0 |
| 13 | GPIO43_LEVEL_HIGH | RW | 0x0 |
| 12 | GPIO43_LEVEL_LOW | RW | 0x0 |
| 11 | GPIO42_EDGE_HIGH | RW | 0x0 |
| 10 | GPIO42_EDGE_LOW | RW | 0x0 |
| 9 | GPIO42_LEVEL_HIGH | RW | 0x0 |
| 8 | GPIO42_LEVEL_LOW | RW | 0x0 |
| 7 | GPIO41_EDGE_HIGH | RW | 0x0 |
| 6 | GPIO41_EDGE_LOW | RW | 0x0 |
| 5 | GPIO41_LEVEL_HIGH | RW | 0x0 |
| 4 | GPIO41_LEVEL_LOW | RW | 0x0 |
| 3 | GPIO40_EDGE_HIGH | RW | 0x0 |
| 2 | GPIO40_EDGE_LOW | RW | 0x0 |
| 1 | GPIO40_LEVEL_HIGH | RW | 0x0 |
| 0 | GPIO40_LEVEL_LOW | RW | 0x0 |

IO_BANK0: PROC0_INTS0 Register

Offset: 0x278

Description

Interrupt status after masking & forcing for proc0

Table 776.
PROC0_INTS0
Register

| Bits | Description | Type | Reset |
|------|------------------|------|-------|
| 31 | GPIO7_EDGE_HIGH | RO | 0x0 |
| 30 | GPIO7_EDGE_LOW | RO | 0x0 |
| 29 | GPIO7_LEVEL_HIGH | RO | 0x0 |
| 28 | GPIO7_LEVEL_LOW | RO | 0x0 |
| 27 | GPIO6_EDGE_HIGH | RO | 0x0 |
| 26 | GPIO6_EDGE_LOW | RO | 0x0 |
| 25 | GPIO6_LEVEL_HIGH | RO | 0x0 |
| 24 | GPIO6_LEVEL_LOW | RO | 0x0 |
| 23 | GPIO5_EDGE_HIGH | RO | 0x0 |
| 22 | GPIO5_EDGE_LOW | RO | 0x0 |
| 21 | GPIO5_LEVEL_HIGH | RO | 0x0 |
| 20 | GPIO5_LEVEL_LOW | RO | 0x0 |
| 19 | GPIO4_EDGE_HIGH | RO | 0x0 |
| 18 | GPIO4_EDGE_LOW | RO | 0x0 |
| 17 | GPIO4_LEVEL_HIGH | RO | 0x0 |
| 16 | GPIO4_LEVEL_LOW | RO | 0x0 |
| 15 | GPIO3_EDGE_HIGH | RO | 0x0 |
| 14 | GPIO3_EDGE_LOW | RO | 0x0 |
| 13 | GPIO3_LEVEL_HIGH | RO | 0x0 |
| 12 | GPIO3_LEVEL_LOW | RO | 0x0 |
| 11 | GPIO2_EDGE_HIGH | RO | 0x0 |
| 10 | GPIO2_EDGE_LOW | RO | 0x0 |
| 9 | GPIO2_LEVEL_HIGH | RO | 0x0 |
| 8 | GPIO2_LEVEL_LOW | RO | 0x0 |
| 7 | GPIO1_EDGE_HIGH | RO | 0x0 |
| 6 | GPIO1_EDGE_LOW | RO | 0x0 |
| 5 | GPIO1_LEVEL_HIGH | RO | 0x0 |
| 4 | GPIO1_LEVEL_LOW | RO | 0x0 |
| 3 | GPIO0_EDGE_HIGH | RO | 0x0 |
| 2 | GPIO0_EDGE_LOW | RO | 0x0 |
| 1 | GPIO0_LEVEL_HIGH | RO | 0x0 |
| 0 | GPIO0_LEVEL_LOW | RO | 0x0 |

IO_BANK0: PROC0_INTS1 Register

Offset: 0x27c

Description

Interrupt status after masking & forcing for proc0

Table 777.
PROC0_INTS1
Register

| Bits | Description | Type | Reset |
|------|-------------------|------|-------|
| 31 | GPIO15_EDGE_HIGH | RO | 0x0 |
| 30 | GPIO15_EDGE_LOW | RO | 0x0 |
| 29 | GPIO15_LEVEL_HIGH | RO | 0x0 |
| 28 | GPIO15_LEVEL_LOW | RO | 0x0 |
| 27 | GPIO14_EDGE_HIGH | RO | 0x0 |
| 26 | GPIO14_EDGE_LOW | RO | 0x0 |
| 25 | GPIO14_LEVEL_HIGH | RO | 0x0 |
| 24 | GPIO14_LEVEL_LOW | RO | 0x0 |
| 23 | GPIO13_EDGE_HIGH | RO | 0x0 |
| 22 | GPIO13_EDGE_LOW | RO | 0x0 |
| 21 | GPIO13_LEVEL_HIGH | RO | 0x0 |
| 20 | GPIO13_LEVEL_LOW | RO | 0x0 |
| 19 | GPIO12_EDGE_HIGH | RO | 0x0 |
| 18 | GPIO12_EDGE_LOW | RO | 0x0 |
| 17 | GPIO12_LEVEL_HIGH | RO | 0x0 |
| 16 | GPIO12_LEVEL_LOW | RO | 0x0 |
| 15 | GPIO11_EDGE_HIGH | RO | 0x0 |
| 14 | GPIO11_EDGE_LOW | RO | 0x0 |
| 13 | GPIO11_LEVEL_HIGH | RO | 0x0 |
| 12 | GPIO11_LEVEL_LOW | RO | 0x0 |
| 11 | GPIO10_EDGE_HIGH | RO | 0x0 |
| 10 | GPIO10_EDGE_LOW | RO | 0x0 |
| 9 | GPIO10_LEVEL_HIGH | RO | 0x0 |
| 8 | GPIO10_LEVEL_LOW | RO | 0x0 |
| 7 | GPIO9_EDGE_HIGH | RO | 0x0 |
| 6 | GPIO9_EDGE_LOW | RO | 0x0 |
| 5 | GPIO9_LEVEL_HIGH | RO | 0x0 |
| 4 | GPIO9_LEVEL_LOW | RO | 0x0 |
| 3 | GPIO8_EDGE_HIGH | RO | 0x0 |
| 2 | GPIO8_EDGE_LOW | RO | 0x0 |
| 1 | GPIO8_LEVEL_HIGH | RO | 0x0 |
| 0 | GPIO8_LEVEL_LOW | RO | 0x0 |

IO_BANK0: PROC0_INTS2 Register

Offset: 0x280

Description

Interrupt status after masking & forcing for proc0

Table 778.
PROC0_INTS2
Register

| Bits | Description | Type | Reset |
|------|-------------------|------|-------|
| 31 | GPIO23_EDGE_HIGH | RO | 0x0 |
| 30 | GPIO23_EDGE_LOW | RO | 0x0 |
| 29 | GPIO23_LEVEL_HIGH | RO | 0x0 |
| 28 | GPIO23_LEVEL_LOW | RO | 0x0 |
| 27 | GPIO22_EDGE_HIGH | RO | 0x0 |
| 26 | GPIO22_EDGE_LOW | RO | 0x0 |
| 25 | GPIO22_LEVEL_HIGH | RO | 0x0 |
| 24 | GPIO22_LEVEL_LOW | RO | 0x0 |
| 23 | GPIO21_EDGE_HIGH | RO | 0x0 |
| 22 | GPIO21_EDGE_LOW | RO | 0x0 |
| 21 | GPIO21_LEVEL_HIGH | RO | 0x0 |
| 20 | GPIO21_LEVEL_LOW | RO | 0x0 |
| 19 | GPIO20_EDGE_HIGH | RO | 0x0 |
| 18 | GPIO20_EDGE_LOW | RO | 0x0 |
| 17 | GPIO20_LEVEL_HIGH | RO | 0x0 |
| 16 | GPIO20_LEVEL_LOW | RO | 0x0 |
| 15 | GPIO19_EDGE_HIGH | RO | 0x0 |
| 14 | GPIO19_EDGE_LOW | RO | 0x0 |
| 13 | GPIO19_LEVEL_HIGH | RO | 0x0 |
| 12 | GPIO19_LEVEL_LOW | RO | 0x0 |
| 11 | GPIO18_EDGE_HIGH | RO | 0x0 |
| 10 | GPIO18_EDGE_LOW | RO | 0x0 |
| 9 | GPIO18_LEVEL_HIGH | RO | 0x0 |
| 8 | GPIO18_LEVEL_LOW | RO | 0x0 |
| 7 | GPIO17_EDGE_HIGH | RO | 0x0 |
| 6 | GPIO17_EDGE_LOW | RO | 0x0 |
| 5 | GPIO17_LEVEL_HIGH | RO | 0x0 |
| 4 | GPIO17_LEVEL_LOW | RO | 0x0 |
| 3 | GPIO16_EDGE_HIGH | RO | 0x0 |
| 2 | GPIO16_EDGE_LOW | RO | 0x0 |
| 1 | GPIO16_LEVEL_HIGH | RO | 0x0 |
| 0 | GPIO16_LEVEL_LOW | RO | 0x0 |

IO_BANK0: PROC0_INTS3 Register

Offset: 0x284

Description

Interrupt status after masking & forcing for proc0

Table 779.
PROC0_INTS3
Register

| Bits | Description | Type | Reset |
|------|-------------------|------|-------|
| 31 | GPIO31_EDGE_HIGH | RO | 0x0 |
| 30 | GPIO31_EDGE_LOW | RO | 0x0 |
| 29 | GPIO31_LEVEL_HIGH | RO | 0x0 |
| 28 | GPIO31_LEVEL_LOW | RO | 0x0 |
| 27 | GPIO30_EDGE_HIGH | RO | 0x0 |
| 26 | GPIO30_EDGE_LOW | RO | 0x0 |
| 25 | GPIO30_LEVEL_HIGH | RO | 0x0 |
| 24 | GPIO30_LEVEL_LOW | RO | 0x0 |
| 23 | GPIO29_EDGE_HIGH | RO | 0x0 |
| 22 | GPIO29_EDGE_LOW | RO | 0x0 |
| 21 | GPIO29_LEVEL_HIGH | RO | 0x0 |
| 20 | GPIO29_LEVEL_LOW | RO | 0x0 |
| 19 | GPIO28_EDGE_HIGH | RO | 0x0 |
| 18 | GPIO28_EDGE_LOW | RO | 0x0 |
| 17 | GPIO28_LEVEL_HIGH | RO | 0x0 |
| 16 | GPIO28_LEVEL_LOW | RO | 0x0 |
| 15 | GPIO27_EDGE_HIGH | RO | 0x0 |
| 14 | GPIO27_EDGE_LOW | RO | 0x0 |
| 13 | GPIO27_LEVEL_HIGH | RO | 0x0 |
| 12 | GPIO27_LEVEL_LOW | RO | 0x0 |
| 11 | GPIO26_EDGE_HIGH | RO | 0x0 |
| 10 | GPIO26_EDGE_LOW | RO | 0x0 |
| 9 | GPIO26_LEVEL_HIGH | RO | 0x0 |
| 8 | GPIO26_LEVEL_LOW | RO | 0x0 |
| 7 | GPIO25_EDGE_HIGH | RO | 0x0 |
| 6 | GPIO25_EDGE_LOW | RO | 0x0 |
| 5 | GPIO25_LEVEL_HIGH | RO | 0x0 |
| 4 | GPIO25_LEVEL_LOW | RO | 0x0 |
| 3 | GPIO24_EDGE_HIGH | RO | 0x0 |
| 2 | GPIO24_EDGE_LOW | RO | 0x0 |
| 1 | GPIO24_LEVEL_HIGH | RO | 0x0 |
| 0 | GPIO24_LEVEL_LOW | RO | 0x0 |

IO_BANK0: PROC0_INTS4 Register

Offset: 0x288

Description

Interrupt status after masking & forcing for proc0

Table 780.
PROC0_INTS4
Register

| Bits | Description | Type | Reset |
|------|-------------------|------|-------|
| 31 | GPIO39_EDGE_HIGH | RO | 0x0 |
| 30 | GPIO39_EDGE_LOW | RO | 0x0 |
| 29 | GPIO39_LEVEL_HIGH | RO | 0x0 |
| 28 | GPIO39_LEVEL_LOW | RO | 0x0 |
| 27 | GPIO38_EDGE_HIGH | RO | 0x0 |
| 26 | GPIO38_EDGE_LOW | RO | 0x0 |
| 25 | GPIO38_LEVEL_HIGH | RO | 0x0 |
| 24 | GPIO38_LEVEL_LOW | RO | 0x0 |
| 23 | GPIO37_EDGE_HIGH | RO | 0x0 |
| 22 | GPIO37_EDGE_LOW | RO | 0x0 |
| 21 | GPIO37_LEVEL_HIGH | RO | 0x0 |
| 20 | GPIO37_LEVEL_LOW | RO | 0x0 |
| 19 | GPIO36_EDGE_HIGH | RO | 0x0 |
| 18 | GPIO36_EDGE_LOW | RO | 0x0 |
| 17 | GPIO36_LEVEL_HIGH | RO | 0x0 |
| 16 | GPIO36_LEVEL_LOW | RO | 0x0 |
| 15 | GPIO35_EDGE_HIGH | RO | 0x0 |
| 14 | GPIO35_EDGE_LOW | RO | 0x0 |
| 13 | GPIO35_LEVEL_HIGH | RO | 0x0 |
| 12 | GPIO35_LEVEL_LOW | RO | 0x0 |
| 11 | GPIO34_EDGE_HIGH | RO | 0x0 |
| 10 | GPIO34_EDGE_LOW | RO | 0x0 |
| 9 | GPIO34_LEVEL_HIGH | RO | 0x0 |
| 8 | GPIO34_LEVEL_LOW | RO | 0x0 |
| 7 | GPIO33_EDGE_HIGH | RO | 0x0 |
| 6 | GPIO33_EDGE_LOW | RO | 0x0 |
| 5 | GPIO33_LEVEL_HIGH | RO | 0x0 |
| 4 | GPIO33_LEVEL_LOW | RO | 0x0 |
| 3 | GPIO32_EDGE_HIGH | RO | 0x0 |
| 2 | GPIO32_EDGE_LOW | RO | 0x0 |
| 1 | GPIO32_LEVEL_HIGH | RO | 0x0 |
| 0 | GPIO32_LEVEL_LOW | RO | 0x0 |

IO_BANK0: PROC0_INTS5 Register

Offset: 0x28c

Description

Interrupt status after masking & forcing for proc0

Table 781.
PROC0_INTS5
Register

| Bits | Description | Type | Reset |
|------|-------------------|------|-------|
| 31 | GPIO47_EDGE_HIGH | RO | 0x0 |
| 30 | GPIO47_EDGE_LOW | RO | 0x0 |
| 29 | GPIO47_LEVEL_HIGH | RO | 0x0 |
| 28 | GPIO47_LEVEL_LOW | RO | 0x0 |
| 27 | GPIO46_EDGE_HIGH | RO | 0x0 |
| 26 | GPIO46_EDGE_LOW | RO | 0x0 |
| 25 | GPIO46_LEVEL_HIGH | RO | 0x0 |
| 24 | GPIO46_LEVEL_LOW | RO | 0x0 |
| 23 | GPIO45_EDGE_HIGH | RO | 0x0 |
| 22 | GPIO45_EDGE_LOW | RO | 0x0 |
| 21 | GPIO45_LEVEL_HIGH | RO | 0x0 |
| 20 | GPIO45_LEVEL_LOW | RO | 0x0 |
| 19 | GPIO44_EDGE_HIGH | RO | 0x0 |
| 18 | GPIO44_EDGE_LOW | RO | 0x0 |
| 17 | GPIO44_LEVEL_HIGH | RO | 0x0 |
| 16 | GPIO44_LEVEL_LOW | RO | 0x0 |
| 15 | GPIO43_EDGE_HIGH | RO | 0x0 |
| 14 | GPIO43_EDGE_LOW | RO | 0x0 |
| 13 | GPIO43_LEVEL_HIGH | RO | 0x0 |
| 12 | GPIO43_LEVEL_LOW | RO | 0x0 |
| 11 | GPIO42_EDGE_HIGH | RO | 0x0 |
| 10 | GPIO42_EDGE_LOW | RO | 0x0 |
| 9 | GPIO42_LEVEL_HIGH | RO | 0x0 |
| 8 | GPIO42_LEVEL_LOW | RO | 0x0 |
| 7 | GPIO41_EDGE_HIGH | RO | 0x0 |
| 6 | GPIO41_EDGE_LOW | RO | 0x0 |
| 5 | GPIO41_LEVEL_HIGH | RO | 0x0 |
| 4 | GPIO41_LEVEL_LOW | RO | 0x0 |
| 3 | GPIO40_EDGE_HIGH | RO | 0x0 |
| 2 | GPIO40_EDGE_LOW | RO | 0x0 |
| 1 | GPIO40_LEVEL_HIGH | RO | 0x0 |
| 0 | GPIO40_LEVEL_LOW | RO | 0x0 |

IO_BANK0: PROC1_INTE0 Register

Offset: 0x290

Description

Interrupt Enable for proc1

Table 782.
PROC1_INTE0 Register

| Bits | Description | Type | Reset |
|------|------------------|------|-------|
| 31 | GPIO7_EDGE_HIGH | RW | 0x0 |
| 30 | GPIO7_EDGE_LOW | RW | 0x0 |
| 29 | GPIO7_LEVEL_HIGH | RW | 0x0 |
| 28 | GPIO7_LEVEL_LOW | RW | 0x0 |
| 27 | GPIO6_EDGE_HIGH | RW | 0x0 |
| 26 | GPIO6_EDGE_LOW | RW | 0x0 |
| 25 | GPIO6_LEVEL_HIGH | RW | 0x0 |
| 24 | GPIO6_LEVEL_LOW | RW | 0x0 |
| 23 | GPIO5_EDGE_HIGH | RW | 0x0 |
| 22 | GPIO5_EDGE_LOW | RW | 0x0 |
| 21 | GPIO5_LEVEL_HIGH | RW | 0x0 |
| 20 | GPIO5_LEVEL_LOW | RW | 0x0 |
| 19 | GPIO4_EDGE_HIGH | RW | 0x0 |
| 18 | GPIO4_EDGE_LOW | RW | 0x0 |
| 17 | GPIO4_LEVEL_HIGH | RW | 0x0 |
| 16 | GPIO4_LEVEL_LOW | RW | 0x0 |
| 15 | GPIO3_EDGE_HIGH | RW | 0x0 |
| 14 | GPIO3_EDGE_LOW | RW | 0x0 |
| 13 | GPIO3_LEVEL_HIGH | RW | 0x0 |
| 12 | GPIO3_LEVEL_LOW | RW | 0x0 |
| 11 | GPIO2_EDGE_HIGH | RW | 0x0 |
| 10 | GPIO2_EDGE_LOW | RW | 0x0 |
| 9 | GPIO2_LEVEL_HIGH | RW | 0x0 |
| 8 | GPIO2_LEVEL_LOW | RW | 0x0 |
| 7 | GPIO1_EDGE_HIGH | RW | 0x0 |
| 6 | GPIO1_EDGE_LOW | RW | 0x0 |
| 5 | GPIO1_LEVEL_HIGH | RW | 0x0 |
| 4 | GPIO1_LEVEL_LOW | RW | 0x0 |
| 3 | GPIO0_EDGE_HIGH | RW | 0x0 |
| 2 | GPIO0_EDGE_LOW | RW | 0x0 |
| 1 | GPIO0_LEVEL_HIGH | RW | 0x0 |
| 0 | GPIO0_LEVEL_LOW | RW | 0x0 |

IO_BANK0: PROC1_INTE1 Register

Offset: 0x294

Description

Interrupt Enable for proc1

Table 783.
PROC1_INTE1 Register

| Bits | Description | Type | Reset |
|------|-------------------|------|-------|
| 31 | GPIO15_EDGE_HIGH | RW | 0x0 |
| 30 | GPIO15_EDGE_LOW | RW | 0x0 |
| 29 | GPIO15_LEVEL_HIGH | RW | 0x0 |
| 28 | GPIO15_LEVEL_LOW | RW | 0x0 |
| 27 | GPIO14_EDGE_HIGH | RW | 0x0 |
| 26 | GPIO14_EDGE_LOW | RW | 0x0 |
| 25 | GPIO14_LEVEL_HIGH | RW | 0x0 |
| 24 | GPIO14_LEVEL_LOW | RW | 0x0 |
| 23 | GPIO13_EDGE_HIGH | RW | 0x0 |
| 22 | GPIO13_EDGE_LOW | RW | 0x0 |
| 21 | GPIO13_LEVEL_HIGH | RW | 0x0 |
| 20 | GPIO13_LEVEL_LOW | RW | 0x0 |
| 19 | GPIO12_EDGE_HIGH | RW | 0x0 |
| 18 | GPIO12_EDGE_LOW | RW | 0x0 |
| 17 | GPIO12_LEVEL_HIGH | RW | 0x0 |
| 16 | GPIO12_LEVEL_LOW | RW | 0x0 |
| 15 | GPIO11_EDGE_HIGH | RW | 0x0 |
| 14 | GPIO11_EDGE_LOW | RW | 0x0 |
| 13 | GPIO11_LEVEL_HIGH | RW | 0x0 |
| 12 | GPIO11_LEVEL_LOW | RW | 0x0 |
| 11 | GPIO10_EDGE_HIGH | RW | 0x0 |
| 10 | GPIO10_EDGE_LOW | RW | 0x0 |
| 9 | GPIO10_LEVEL_HIGH | RW | 0x0 |
| 8 | GPIO10_LEVEL_LOW | RW | 0x0 |
| 7 | GPIO9_EDGE_HIGH | RW | 0x0 |
| 6 | GPIO9_EDGE_LOW | RW | 0x0 |
| 5 | GPIO9_LEVEL_HIGH | RW | 0x0 |
| 4 | GPIO9_LEVEL_LOW | RW | 0x0 |
| 3 | GPIO8_EDGE_HIGH | RW | 0x0 |
| 2 | GPIO8_EDGE_LOW | RW | 0x0 |
| 1 | GPIO8_LEVEL_HIGH | RW | 0x0 |
| 0 | GPIO8_LEVEL_LOW | RW | 0x0 |

IO_BANK0: PROC1_INTE2 Register

Offset: 0x298

Description

Interrupt Enable for proc1

Table 784.
PROC1_INTE2 Register

| Bits | Description | Type | Reset |
|------|-------------------|------|-------|
| 31 | GPIO23_EDGE_HIGH | RW | 0x0 |
| 30 | GPIO23_EDGE_LOW | RW | 0x0 |
| 29 | GPIO23_LEVEL_HIGH | RW | 0x0 |
| 28 | GPIO23_LEVEL_LOW | RW | 0x0 |
| 27 | GPIO22_EDGE_HIGH | RW | 0x0 |
| 26 | GPIO22_EDGE_LOW | RW | 0x0 |
| 25 | GPIO22_LEVEL_HIGH | RW | 0x0 |
| 24 | GPIO22_LEVEL_LOW | RW | 0x0 |
| 23 | GPIO21_EDGE_HIGH | RW | 0x0 |
| 22 | GPIO21_EDGE_LOW | RW | 0x0 |
| 21 | GPIO21_LEVEL_HIGH | RW | 0x0 |
| 20 | GPIO21_LEVEL_LOW | RW | 0x0 |
| 19 | GPIO20_EDGE_HIGH | RW | 0x0 |
| 18 | GPIO20_EDGE_LOW | RW | 0x0 |
| 17 | GPIO20_LEVEL_HIGH | RW | 0x0 |
| 16 | GPIO20_LEVEL_LOW | RW | 0x0 |
| 15 | GPIO19_EDGE_HIGH | RW | 0x0 |
| 14 | GPIO19_EDGE_LOW | RW | 0x0 |
| 13 | GPIO19_LEVEL_HIGH | RW | 0x0 |
| 12 | GPIO19_LEVEL_LOW | RW | 0x0 |
| 11 | GPIO18_EDGE_HIGH | RW | 0x0 |
| 10 | GPIO18_EDGE_LOW | RW | 0x0 |
| 9 | GPIO18_LEVEL_HIGH | RW | 0x0 |
| 8 | GPIO18_LEVEL_LOW | RW | 0x0 |
| 7 | GPIO17_EDGE_HIGH | RW | 0x0 |
| 6 | GPIO17_EDGE_LOW | RW | 0x0 |
| 5 | GPIO17_LEVEL_HIGH | RW | 0x0 |
| 4 | GPIO17_LEVEL_LOW | RW | 0x0 |
| 3 | GPIO16_EDGE_HIGH | RW | 0x0 |
| 2 | GPIO16_EDGE_LOW | RW | 0x0 |
| 1 | GPIO16_LEVEL_HIGH | RW | 0x0 |
| 0 | GPIO16_LEVEL_LOW | RW | 0x0 |

IO_BANK0: PROC1_INTE3 Register

Offset: 0x29c

Description

Interrupt Enable for proc1

Table 785.
PROC1_INTE3 Register

| Bits | Description | Type | Reset |
|------|-------------------|------|-------|
| 31 | GPIO31_EDGE_HIGH | RW | 0x0 |
| 30 | GPIO31_EDGE_LOW | RW | 0x0 |
| 29 | GPIO31_LEVEL_HIGH | RW | 0x0 |
| 28 | GPIO31_LEVEL_LOW | RW | 0x0 |
| 27 | GPIO30_EDGE_HIGH | RW | 0x0 |
| 26 | GPIO30_EDGE_LOW | RW | 0x0 |
| 25 | GPIO30_LEVEL_HIGH | RW | 0x0 |
| 24 | GPIO30_LEVEL_LOW | RW | 0x0 |
| 23 | GPIO29_EDGE_HIGH | RW | 0x0 |
| 22 | GPIO29_EDGE_LOW | RW | 0x0 |
| 21 | GPIO29_LEVEL_HIGH | RW | 0x0 |
| 20 | GPIO29_LEVEL_LOW | RW | 0x0 |
| 19 | GPIO28_EDGE_HIGH | RW | 0x0 |
| 18 | GPIO28_EDGE_LOW | RW | 0x0 |
| 17 | GPIO28_LEVEL_HIGH | RW | 0x0 |
| 16 | GPIO28_LEVEL_LOW | RW | 0x0 |
| 15 | GPIO27_EDGE_HIGH | RW | 0x0 |
| 14 | GPIO27_EDGE_LOW | RW | 0x0 |
| 13 | GPIO27_LEVEL_HIGH | RW | 0x0 |
| 12 | GPIO27_LEVEL_LOW | RW | 0x0 |
| 11 | GPIO26_EDGE_HIGH | RW | 0x0 |
| 10 | GPIO26_EDGE_LOW | RW | 0x0 |
| 9 | GPIO26_LEVEL_HIGH | RW | 0x0 |
| 8 | GPIO26_LEVEL_LOW | RW | 0x0 |
| 7 | GPIO25_EDGE_HIGH | RW | 0x0 |
| 6 | GPIO25_EDGE_LOW | RW | 0x0 |
| 5 | GPIO25_LEVEL_HIGH | RW | 0x0 |
| 4 | GPIO25_LEVEL_LOW | RW | 0x0 |
| 3 | GPIO24_EDGE_HIGH | RW | 0x0 |
| 2 | GPIO24_EDGE_LOW | RW | 0x0 |
| 1 | GPIO24_LEVEL_HIGH | RW | 0x0 |
| 0 | GPIO24_LEVEL_LOW | RW | 0x0 |

IO_BANK0: PROC1_INTE4 Register

Offset: 0x2a0

Description

Interrupt Enable for proc1

Table 786.
PROC1_INTE4 Register

| Bits | Description | Type | Reset |
|------|-------------------|------|-------|
| 31 | GPIO39_EDGE_HIGH | RW | 0x0 |
| 30 | GPIO39_EDGE_LOW | RW | 0x0 |
| 29 | GPIO39_LEVEL_HIGH | RW | 0x0 |
| 28 | GPIO39_LEVEL_LOW | RW | 0x0 |
| 27 | GPIO38_EDGE_HIGH | RW | 0x0 |
| 26 | GPIO38_EDGE_LOW | RW | 0x0 |
| 25 | GPIO38_LEVEL_HIGH | RW | 0x0 |
| 24 | GPIO38_LEVEL_LOW | RW | 0x0 |
| 23 | GPIO37_EDGE_HIGH | RW | 0x0 |
| 22 | GPIO37_EDGE_LOW | RW | 0x0 |
| 21 | GPIO37_LEVEL_HIGH | RW | 0x0 |
| 20 | GPIO37_LEVEL_LOW | RW | 0x0 |
| 19 | GPIO36_EDGE_HIGH | RW | 0x0 |
| 18 | GPIO36_EDGE_LOW | RW | 0x0 |
| 17 | GPIO36_LEVEL_HIGH | RW | 0x0 |
| 16 | GPIO36_LEVEL_LOW | RW | 0x0 |
| 15 | GPIO35_EDGE_HIGH | RW | 0x0 |
| 14 | GPIO35_EDGE_LOW | RW | 0x0 |
| 13 | GPIO35_LEVEL_HIGH | RW | 0x0 |
| 12 | GPIO35_LEVEL_LOW | RW | 0x0 |
| 11 | GPIO34_EDGE_HIGH | RW | 0x0 |
| 10 | GPIO34_EDGE_LOW | RW | 0x0 |
| 9 | GPIO34_LEVEL_HIGH | RW | 0x0 |
| 8 | GPIO34_LEVEL_LOW | RW | 0x0 |
| 7 | GPIO33_EDGE_HIGH | RW | 0x0 |
| 6 | GPIO33_EDGE_LOW | RW | 0x0 |
| 5 | GPIO33_LEVEL_HIGH | RW | 0x0 |
| 4 | GPIO33_LEVEL_LOW | RW | 0x0 |
| 3 | GPIO32_EDGE_HIGH | RW | 0x0 |
| 2 | GPIO32_EDGE_LOW | RW | 0x0 |
| 1 | GPIO32_LEVEL_HIGH | RW | 0x0 |
| 0 | GPIO32_LEVEL_LOW | RW | 0x0 |

IO_BANK0: PROC1_INTE5 Register

Offset: 0x2a4

Description

Interrupt Enable for proc1

Table 787.
PROC1_INTE5 Register

| Bits | Description | Type | Reset |
|------|-------------------|------|-------|
| 31 | GPIO47_EDGE_HIGH | RW | 0x0 |
| 30 | GPIO47_EDGE_LOW | RW | 0x0 |
| 29 | GPIO47_LEVEL_HIGH | RW | 0x0 |
| 28 | GPIO47_LEVEL_LOW | RW | 0x0 |
| 27 | GPIO46_EDGE_HIGH | RW | 0x0 |
| 26 | GPIO46_EDGE_LOW | RW | 0x0 |
| 25 | GPIO46_LEVEL_HIGH | RW | 0x0 |
| 24 | GPIO46_LEVEL_LOW | RW | 0x0 |
| 23 | GPIO45_EDGE_HIGH | RW | 0x0 |
| 22 | GPIO45_EDGE_LOW | RW | 0x0 |
| 21 | GPIO45_LEVEL_HIGH | RW | 0x0 |
| 20 | GPIO45_LEVEL_LOW | RW | 0x0 |
| 19 | GPIO44_EDGE_HIGH | RW | 0x0 |
| 18 | GPIO44_EDGE_LOW | RW | 0x0 |
| 17 | GPIO44_LEVEL_HIGH | RW | 0x0 |
| 16 | GPIO44_LEVEL_LOW | RW | 0x0 |
| 15 | GPIO43_EDGE_HIGH | RW | 0x0 |
| 14 | GPIO43_EDGE_LOW | RW | 0x0 |
| 13 | GPIO43_LEVEL_HIGH | RW | 0x0 |
| 12 | GPIO43_LEVEL_LOW | RW | 0x0 |
| 11 | GPIO42_EDGE_HIGH | RW | 0x0 |
| 10 | GPIO42_EDGE_LOW | RW | 0x0 |
| 9 | GPIO42_LEVEL_HIGH | RW | 0x0 |
| 8 | GPIO42_LEVEL_LOW | RW | 0x0 |
| 7 | GPIO41_EDGE_HIGH | RW | 0x0 |
| 6 | GPIO41_EDGE_LOW | RW | 0x0 |
| 5 | GPIO41_LEVEL_HIGH | RW | 0x0 |
| 4 | GPIO41_LEVEL_LOW | RW | 0x0 |
| 3 | GPIO40_EDGE_HIGH | RW | 0x0 |
| 2 | GPIO40_EDGE_LOW | RW | 0x0 |
| 1 | GPIO40_LEVEL_HIGH | RW | 0x0 |
| 0 | GPIO40_LEVEL_LOW | RW | 0x0 |

IO_BANK0: PROC1_INTF0 Register

Offset: 0x2a8

Description

Interrupt Force for proc1

Table 788.
PROC1_INTF0 Register

| Bits | Description | Type | Reset |
|------|------------------|------|-------|
| 31 | GPIO7_EDGE_HIGH | RW | 0x0 |
| 30 | GPIO7_EDGE_LOW | RW | 0x0 |
| 29 | GPIO7_LEVEL_HIGH | RW | 0x0 |
| 28 | GPIO7_LEVEL_LOW | RW | 0x0 |
| 27 | GPIO6_EDGE_HIGH | RW | 0x0 |
| 26 | GPIO6_EDGE_LOW | RW | 0x0 |
| 25 | GPIO6_LEVEL_HIGH | RW | 0x0 |
| 24 | GPIO6_LEVEL_LOW | RW | 0x0 |
| 23 | GPIO5_EDGE_HIGH | RW | 0x0 |
| 22 | GPIO5_EDGE_LOW | RW | 0x0 |
| 21 | GPIO5_LEVEL_HIGH | RW | 0x0 |
| 20 | GPIO5_LEVEL_LOW | RW | 0x0 |
| 19 | GPIO4_EDGE_HIGH | RW | 0x0 |
| 18 | GPIO4_EDGE_LOW | RW | 0x0 |
| 17 | GPIO4_LEVEL_HIGH | RW | 0x0 |
| 16 | GPIO4_LEVEL_LOW | RW | 0x0 |
| 15 | GPIO3_EDGE_HIGH | RW | 0x0 |
| 14 | GPIO3_EDGE_LOW | RW | 0x0 |
| 13 | GPIO3_LEVEL_HIGH | RW | 0x0 |
| 12 | GPIO3_LEVEL_LOW | RW | 0x0 |
| 11 | GPIO2_EDGE_HIGH | RW | 0x0 |
| 10 | GPIO2_EDGE_LOW | RW | 0x0 |
| 9 | GPIO2_LEVEL_HIGH | RW | 0x0 |
| 8 | GPIO2_LEVEL_LOW | RW | 0x0 |
| 7 | GPIO1_EDGE_HIGH | RW | 0x0 |
| 6 | GPIO1_EDGE_LOW | RW | 0x0 |
| 5 | GPIO1_LEVEL_HIGH | RW | 0x0 |
| 4 | GPIO1_LEVEL_LOW | RW | 0x0 |
| 3 | GPIO0_EDGE_HIGH | RW | 0x0 |
| 2 | GPIO0_EDGE_LOW | RW | 0x0 |
| 1 | GPIO0_LEVEL_HIGH | RW | 0x0 |
| 0 | GPIO0_LEVEL_LOW | RW | 0x0 |

IO_BANK0: PROC1_INTF1 Register

Offset: 0x2ac

Description

Interrupt Force for proc1

Table 789.
PROC1_INTF1 Register

| Bits | Description | Type | Reset |
|------|-------------------|------|-------|
| 31 | GPIO15_EDGE_HIGH | RW | 0x0 |
| 30 | GPIO15_EDGE_LOW | RW | 0x0 |
| 29 | GPIO15_LEVEL_HIGH | RW | 0x0 |
| 28 | GPIO15_LEVEL_LOW | RW | 0x0 |
| 27 | GPIO14_EDGE_HIGH | RW | 0x0 |
| 26 | GPIO14_EDGE_LOW | RW | 0x0 |
| 25 | GPIO14_LEVEL_HIGH | RW | 0x0 |
| 24 | GPIO14_LEVEL_LOW | RW | 0x0 |
| 23 | GPIO13_EDGE_HIGH | RW | 0x0 |
| 22 | GPIO13_EDGE_LOW | RW | 0x0 |
| 21 | GPIO13_LEVEL_HIGH | RW | 0x0 |
| 20 | GPIO13_LEVEL_LOW | RW | 0x0 |
| 19 | GPIO12_EDGE_HIGH | RW | 0x0 |
| 18 | GPIO12_EDGE_LOW | RW | 0x0 |
| 17 | GPIO12_LEVEL_HIGH | RW | 0x0 |
| 16 | GPIO12_LEVEL_LOW | RW | 0x0 |
| 15 | GPIO11_EDGE_HIGH | RW | 0x0 |
| 14 | GPIO11_EDGE_LOW | RW | 0x0 |
| 13 | GPIO11_LEVEL_HIGH | RW | 0x0 |
| 12 | GPIO11_LEVEL_LOW | RW | 0x0 |
| 11 | GPIO10_EDGE_HIGH | RW | 0x0 |
| 10 | GPIO10_EDGE_LOW | RW | 0x0 |
| 9 | GPIO10_LEVEL_HIGH | RW | 0x0 |
| 8 | GPIO10_LEVEL_LOW | RW | 0x0 |
| 7 | GPIO9_EDGE_HIGH | RW | 0x0 |
| 6 | GPIO9_EDGE_LOW | RW | 0x0 |
| 5 | GPIO9_LEVEL_HIGH | RW | 0x0 |
| 4 | GPIO9_LEVEL_LOW | RW | 0x0 |
| 3 | GPIO8_EDGE_HIGH | RW | 0x0 |
| 2 | GPIO8_EDGE_LOW | RW | 0x0 |
| 1 | GPIO8_LEVEL_HIGH | RW | 0x0 |
| 0 | GPIO8_LEVEL_LOW | RW | 0x0 |

IO_BANK0: PROC1_INTF2 Register

Offset: 0x2b0

Description

Interrupt Force for proc1

Table 790.
PROC1_INTF2 Register

| Bits | Description | Type | Reset |
|------|-------------------|------|-------|
| 31 | GPIO23_EDGE_HIGH | RW | 0x0 |
| 30 | GPIO23_EDGE_LOW | RW | 0x0 |
| 29 | GPIO23_LEVEL_HIGH | RW | 0x0 |
| 28 | GPIO23_LEVEL_LOW | RW | 0x0 |
| 27 | GPIO22_EDGE_HIGH | RW | 0x0 |
| 26 | GPIO22_EDGE_LOW | RW | 0x0 |
| 25 | GPIO22_LEVEL_HIGH | RW | 0x0 |
| 24 | GPIO22_LEVEL_LOW | RW | 0x0 |
| 23 | GPIO21_EDGE_HIGH | RW | 0x0 |
| 22 | GPIO21_EDGE_LOW | RW | 0x0 |
| 21 | GPIO21_LEVEL_HIGH | RW | 0x0 |
| 20 | GPIO21_LEVEL_LOW | RW | 0x0 |
| 19 | GPIO20_EDGE_HIGH | RW | 0x0 |
| 18 | GPIO20_EDGE_LOW | RW | 0x0 |
| 17 | GPIO20_LEVEL_HIGH | RW | 0x0 |
| 16 | GPIO20_LEVEL_LOW | RW | 0x0 |
| 15 | GPIO19_EDGE_HIGH | RW | 0x0 |
| 14 | GPIO19_EDGE_LOW | RW | 0x0 |
| 13 | GPIO19_LEVEL_HIGH | RW | 0x0 |
| 12 | GPIO19_LEVEL_LOW | RW | 0x0 |
| 11 | GPIO18_EDGE_HIGH | RW | 0x0 |
| 10 | GPIO18_EDGE_LOW | RW | 0x0 |
| 9 | GPIO18_LEVEL_HIGH | RW | 0x0 |
| 8 | GPIO18_LEVEL_LOW | RW | 0x0 |
| 7 | GPIO17_EDGE_HIGH | RW | 0x0 |
| 6 | GPIO17_EDGE_LOW | RW | 0x0 |
| 5 | GPIO17_LEVEL_HIGH | RW | 0x0 |
| 4 | GPIO17_LEVEL_LOW | RW | 0x0 |
| 3 | GPIO16_EDGE_HIGH | RW | 0x0 |
| 2 | GPIO16_EDGE_LOW | RW | 0x0 |
| 1 | GPIO16_LEVEL_HIGH | RW | 0x0 |
| 0 | GPIO16_LEVEL_LOW | RW | 0x0 |

IO_BANK0: PROC1_INTF3 Register

Offset: 0x2b4

Description

Interrupt Force for proc1

Table 791.
PROC1_INTF3 Register

| Bits | Description | Type | Reset |
|------|-------------------|------|-------|
| 31 | GPIO31_EDGE_HIGH | RW | 0x0 |
| 30 | GPIO31_EDGE_LOW | RW | 0x0 |
| 29 | GPIO31_LEVEL_HIGH | RW | 0x0 |
| 28 | GPIO31_LEVEL_LOW | RW | 0x0 |
| 27 | GPIO30_EDGE_HIGH | RW | 0x0 |
| 26 | GPIO30_EDGE_LOW | RW | 0x0 |
| 25 | GPIO30_LEVEL_HIGH | RW | 0x0 |
| 24 | GPIO30_LEVEL_LOW | RW | 0x0 |
| 23 | GPIO29_EDGE_HIGH | RW | 0x0 |
| 22 | GPIO29_EDGE_LOW | RW | 0x0 |
| 21 | GPIO29_LEVEL_HIGH | RW | 0x0 |
| 20 | GPIO29_LEVEL_LOW | RW | 0x0 |
| 19 | GPIO28_EDGE_HIGH | RW | 0x0 |
| 18 | GPIO28_EDGE_LOW | RW | 0x0 |
| 17 | GPIO28_LEVEL_HIGH | RW | 0x0 |
| 16 | GPIO28_LEVEL_LOW | RW | 0x0 |
| 15 | GPIO27_EDGE_HIGH | RW | 0x0 |
| 14 | GPIO27_EDGE_LOW | RW | 0x0 |
| 13 | GPIO27_LEVEL_HIGH | RW | 0x0 |
| 12 | GPIO27_LEVEL_LOW | RW | 0x0 |
| 11 | GPIO26_EDGE_HIGH | RW | 0x0 |
| 10 | GPIO26_EDGE_LOW | RW | 0x0 |
| 9 | GPIO26_LEVEL_HIGH | RW | 0x0 |
| 8 | GPIO26_LEVEL_LOW | RW | 0x0 |
| 7 | GPIO25_EDGE_HIGH | RW | 0x0 |
| 6 | GPIO25_EDGE_LOW | RW | 0x0 |
| 5 | GPIO25_LEVEL_HIGH | RW | 0x0 |
| 4 | GPIO25_LEVEL_LOW | RW | 0x0 |
| 3 | GPIO24_EDGE_HIGH | RW | 0x0 |
| 2 | GPIO24_EDGE_LOW | RW | 0x0 |
| 1 | GPIO24_LEVEL_HIGH | RW | 0x0 |
| 0 | GPIO24_LEVEL_LOW | RW | 0x0 |

IO_BANK0: PROC1_INTF4 Register

Offset: 0x2b8

Description

Interrupt Force for proc1

Table 792.
PROC1_INTF4 Register

| Bits | Description | Type | Reset |
|------|-------------------|------|-------|
| 31 | GPIO39_EDGE_HIGH | RW | 0x0 |
| 30 | GPIO39_EDGE_LOW | RW | 0x0 |
| 29 | GPIO39_LEVEL_HIGH | RW | 0x0 |
| 28 | GPIO39_LEVEL_LOW | RW | 0x0 |
| 27 | GPIO38_EDGE_HIGH | RW | 0x0 |
| 26 | GPIO38_EDGE_LOW | RW | 0x0 |
| 25 | GPIO38_LEVEL_HIGH | RW | 0x0 |
| 24 | GPIO38_LEVEL_LOW | RW | 0x0 |
| 23 | GPIO37_EDGE_HIGH | RW | 0x0 |
| 22 | GPIO37_EDGE_LOW | RW | 0x0 |
| 21 | GPIO37_LEVEL_HIGH | RW | 0x0 |
| 20 | GPIO37_LEVEL_LOW | RW | 0x0 |
| 19 | GPIO36_EDGE_HIGH | RW | 0x0 |
| 18 | GPIO36_EDGE_LOW | RW | 0x0 |
| 17 | GPIO36_LEVEL_HIGH | RW | 0x0 |
| 16 | GPIO36_LEVEL_LOW | RW | 0x0 |
| 15 | GPIO35_EDGE_HIGH | RW | 0x0 |
| 14 | GPIO35_EDGE_LOW | RW | 0x0 |
| 13 | GPIO35_LEVEL_HIGH | RW | 0x0 |
| 12 | GPIO35_LEVEL_LOW | RW | 0x0 |
| 11 | GPIO34_EDGE_HIGH | RW | 0x0 |
| 10 | GPIO34_EDGE_LOW | RW | 0x0 |
| 9 | GPIO34_LEVEL_HIGH | RW | 0x0 |
| 8 | GPIO34_LEVEL_LOW | RW | 0x0 |
| 7 | GPIO33_EDGE_HIGH | RW | 0x0 |
| 6 | GPIO33_EDGE_LOW | RW | 0x0 |
| 5 | GPIO33_LEVEL_HIGH | RW | 0x0 |
| 4 | GPIO33_LEVEL_LOW | RW | 0x0 |
| 3 | GPIO32_EDGE_HIGH | RW | 0x0 |
| 2 | GPIO32_EDGE_LOW | RW | 0x0 |
| 1 | GPIO32_LEVEL_HIGH | RW | 0x0 |
| 0 | GPIO32_LEVEL_LOW | RW | 0x0 |

IO_BANK0: PROC1_INTF5 Register

Offset: 0x2bc

Description

Interrupt Force for proc1

Table 793.
PROC1_INTF5 Register

| Bits | Description | Type | Reset |
|------|-------------------|------|-------|
| 31 | GPIO47_EDGE_HIGH | RW | 0x0 |
| 30 | GPIO47_EDGE_LOW | RW | 0x0 |
| 29 | GPIO47_LEVEL_HIGH | RW | 0x0 |
| 28 | GPIO47_LEVEL_LOW | RW | 0x0 |
| 27 | GPIO46_EDGE_HIGH | RW | 0x0 |
| 26 | GPIO46_EDGE_LOW | RW | 0x0 |
| 25 | GPIO46_LEVEL_HIGH | RW | 0x0 |
| 24 | GPIO46_LEVEL_LOW | RW | 0x0 |
| 23 | GPIO45_EDGE_HIGH | RW | 0x0 |
| 22 | GPIO45_EDGE_LOW | RW | 0x0 |
| 21 | GPIO45_LEVEL_HIGH | RW | 0x0 |
| 20 | GPIO45_LEVEL_LOW | RW | 0x0 |
| 19 | GPIO44_EDGE_HIGH | RW | 0x0 |
| 18 | GPIO44_EDGE_LOW | RW | 0x0 |
| 17 | GPIO44_LEVEL_HIGH | RW | 0x0 |
| 16 | GPIO44_LEVEL_LOW | RW | 0x0 |
| 15 | GPIO43_EDGE_HIGH | RW | 0x0 |
| 14 | GPIO43_EDGE_LOW | RW | 0x0 |
| 13 | GPIO43_LEVEL_HIGH | RW | 0x0 |
| 12 | GPIO43_LEVEL_LOW | RW | 0x0 |
| 11 | GPIO42_EDGE_HIGH | RW | 0x0 |
| 10 | GPIO42_EDGE_LOW | RW | 0x0 |
| 9 | GPIO42_LEVEL_HIGH | RW | 0x0 |
| 8 | GPIO42_LEVEL_LOW | RW | 0x0 |
| 7 | GPIO41_EDGE_HIGH | RW | 0x0 |
| 6 | GPIO41_EDGE_LOW | RW | 0x0 |
| 5 | GPIO41_LEVEL_HIGH | RW | 0x0 |
| 4 | GPIO41_LEVEL_LOW | RW | 0x0 |
| 3 | GPIO40_EDGE_HIGH | RW | 0x0 |
| 2 | GPIO40_EDGE_LOW | RW | 0x0 |
| 1 | GPIO40_LEVEL_HIGH | RW | 0x0 |
| 0 | GPIO40_LEVEL_LOW | RW | 0x0 |

IO_BANK0: PROC1_INTS0 Register

Offset: 0x2c0

Description

Interrupt status after masking & forcing for proc1

Table 794.
PROC1_INTS0
Register

| Bits | Description | Type | Reset |
|------|------------------|------|-------|
| 31 | GPIO7_EDGE_HIGH | RO | 0x0 |
| 30 | GPIO7_EDGE_LOW | RO | 0x0 |
| 29 | GPIO7_LEVEL_HIGH | RO | 0x0 |
| 28 | GPIO7_LEVEL_LOW | RO | 0x0 |
| 27 | GPIO6_EDGE_HIGH | RO | 0x0 |
| 26 | GPIO6_EDGE_LOW | RO | 0x0 |
| 25 | GPIO6_LEVEL_HIGH | RO | 0x0 |
| 24 | GPIO6_LEVEL_LOW | RO | 0x0 |
| 23 | GPIO5_EDGE_HIGH | RO | 0x0 |
| 22 | GPIO5_EDGE_LOW | RO | 0x0 |
| 21 | GPIO5_LEVEL_HIGH | RO | 0x0 |
| 20 | GPIO5_LEVEL_LOW | RO | 0x0 |
| 19 | GPIO4_EDGE_HIGH | RO | 0x0 |
| 18 | GPIO4_EDGE_LOW | RO | 0x0 |
| 17 | GPIO4_LEVEL_HIGH | RO | 0x0 |
| 16 | GPIO4_LEVEL_LOW | RO | 0x0 |
| 15 | GPIO3_EDGE_HIGH | RO | 0x0 |
| 14 | GPIO3_EDGE_LOW | RO | 0x0 |
| 13 | GPIO3_LEVEL_HIGH | RO | 0x0 |
| 12 | GPIO3_LEVEL_LOW | RO | 0x0 |
| 11 | GPIO2_EDGE_HIGH | RO | 0x0 |
| 10 | GPIO2_EDGE_LOW | RO | 0x0 |
| 9 | GPIO2_LEVEL_HIGH | RO | 0x0 |
| 8 | GPIO2_LEVEL_LOW | RO | 0x0 |
| 7 | GPIO1_EDGE_HIGH | RO | 0x0 |
| 6 | GPIO1_EDGE_LOW | RO | 0x0 |
| 5 | GPIO1_LEVEL_HIGH | RO | 0x0 |
| 4 | GPIO1_LEVEL_LOW | RO | 0x0 |
| 3 | GPIO0_EDGE_HIGH | RO | 0x0 |
| 2 | GPIO0_EDGE_LOW | RO | 0x0 |
| 1 | GPIO0_LEVEL_HIGH | RO | 0x0 |
| 0 | GPIO0_LEVEL_LOW | RO | 0x0 |

IO_BANK0: PROC1_INTS1 Register

Offset: 0x2c4

Description

Interrupt status after masking & forcing for proc1

Table 795.
PROC1_INTS1
Register

| Bits | Description | Type | Reset |
|------|-------------------|------|-------|
| 31 | GPIO15_EDGE_HIGH | RO | 0x0 |
| 30 | GPIO15_EDGE_LOW | RO | 0x0 |
| 29 | GPIO15_LEVEL_HIGH | RO | 0x0 |
| 28 | GPIO15_LEVEL_LOW | RO | 0x0 |
| 27 | GPIO14_EDGE_HIGH | RO | 0x0 |
| 26 | GPIO14_EDGE_LOW | RO | 0x0 |
| 25 | GPIO14_LEVEL_HIGH | RO | 0x0 |
| 24 | GPIO14_LEVEL_LOW | RO | 0x0 |
| 23 | GPIO13_EDGE_HIGH | RO | 0x0 |
| 22 | GPIO13_EDGE_LOW | RO | 0x0 |
| 21 | GPIO13_LEVEL_HIGH | RO | 0x0 |
| 20 | GPIO13_LEVEL_LOW | RO | 0x0 |
| 19 | GPIO12_EDGE_HIGH | RO | 0x0 |
| 18 | GPIO12_EDGE_LOW | RO | 0x0 |
| 17 | GPIO12_LEVEL_HIGH | RO | 0x0 |
| 16 | GPIO12_LEVEL_LOW | RO | 0x0 |
| 15 | GPIO11_EDGE_HIGH | RO | 0x0 |
| 14 | GPIO11_EDGE_LOW | RO | 0x0 |
| 13 | GPIO11_LEVEL_HIGH | RO | 0x0 |
| 12 | GPIO11_LEVEL_LOW | RO | 0x0 |
| 11 | GPIO10_EDGE_HIGH | RO | 0x0 |
| 10 | GPIO10_EDGE_LOW | RO | 0x0 |
| 9 | GPIO10_LEVEL_HIGH | RO | 0x0 |
| 8 | GPIO10_LEVEL_LOW | RO | 0x0 |
| 7 | GPIO9_EDGE_HIGH | RO | 0x0 |
| 6 | GPIO9_EDGE_LOW | RO | 0x0 |
| 5 | GPIO9_LEVEL_HIGH | RO | 0x0 |
| 4 | GPIO9_LEVEL_LOW | RO | 0x0 |
| 3 | GPIO8_EDGE_HIGH | RO | 0x0 |
| 2 | GPIO8_EDGE_LOW | RO | 0x0 |
| 1 | GPIO8_LEVEL_HIGH | RO | 0x0 |
| 0 | GPIO8_LEVEL_LOW | RO | 0x0 |

IO_BANK0: PROC1_INTS2 Register

Offset: 0x2c8

Description

Interrupt status after masking & forcing for proc1

Table 796.
PROC1_INTS2
Register

| Bits | Description | Type | Reset |
|------|-------------------|------|-------|
| 31 | GPIO23_EDGE_HIGH | RO | 0x0 |
| 30 | GPIO23_EDGE_LOW | RO | 0x0 |
| 29 | GPIO23_LEVEL_HIGH | RO | 0x0 |
| 28 | GPIO23_LEVEL_LOW | RO | 0x0 |
| 27 | GPIO22_EDGE_HIGH | RO | 0x0 |
| 26 | GPIO22_EDGE_LOW | RO | 0x0 |
| 25 | GPIO22_LEVEL_HIGH | RO | 0x0 |
| 24 | GPIO22_LEVEL_LOW | RO | 0x0 |
| 23 | GPIO21_EDGE_HIGH | RO | 0x0 |
| 22 | GPIO21_EDGE_LOW | RO | 0x0 |
| 21 | GPIO21_LEVEL_HIGH | RO | 0x0 |
| 20 | GPIO21_LEVEL_LOW | RO | 0x0 |
| 19 | GPIO20_EDGE_HIGH | RO | 0x0 |
| 18 | GPIO20_EDGE_LOW | RO | 0x0 |
| 17 | GPIO20_LEVEL_HIGH | RO | 0x0 |
| 16 | GPIO20_LEVEL_LOW | RO | 0x0 |
| 15 | GPIO19_EDGE_HIGH | RO | 0x0 |
| 14 | GPIO19_EDGE_LOW | RO | 0x0 |
| 13 | GPIO19_LEVEL_HIGH | RO | 0x0 |
| 12 | GPIO19_LEVEL_LOW | RO | 0x0 |
| 11 | GPIO18_EDGE_HIGH | RO | 0x0 |
| 10 | GPIO18_EDGE_LOW | RO | 0x0 |
| 9 | GPIO18_LEVEL_HIGH | RO | 0x0 |
| 8 | GPIO18_LEVEL_LOW | RO | 0x0 |
| 7 | GPIO17_EDGE_HIGH | RO | 0x0 |
| 6 | GPIO17_EDGE_LOW | RO | 0x0 |
| 5 | GPIO17_LEVEL_HIGH | RO | 0x0 |
| 4 | GPIO17_LEVEL_LOW | RO | 0x0 |
| 3 | GPIO16_EDGE_HIGH | RO | 0x0 |
| 2 | GPIO16_EDGE_LOW | RO | 0x0 |
| 1 | GPIO16_LEVEL_HIGH | RO | 0x0 |
| 0 | GPIO16_LEVEL_LOW | RO | 0x0 |

IO_BANK0: PROC1_INTS3 Register

Offset: 0x2cc

Description

Interrupt status after masking & forcing for proc1

Table 797.
PROC1_INTS3
Register

| Bits | Description | Type | Reset |
|------|-------------------|------|-------|
| 31 | GPIO31_EDGE_HIGH | RO | 0x0 |
| 30 | GPIO31_EDGE_LOW | RO | 0x0 |
| 29 | GPIO31_LEVEL_HIGH | RO | 0x0 |
| 28 | GPIO31_LEVEL_LOW | RO | 0x0 |
| 27 | GPIO30_EDGE_HIGH | RO | 0x0 |
| 26 | GPIO30_EDGE_LOW | RO | 0x0 |
| 25 | GPIO30_LEVEL_HIGH | RO | 0x0 |
| 24 | GPIO30_LEVEL_LOW | RO | 0x0 |
| 23 | GPIO29_EDGE_HIGH | RO | 0x0 |
| 22 | GPIO29_EDGE_LOW | RO | 0x0 |
| 21 | GPIO29_LEVEL_HIGH | RO | 0x0 |
| 20 | GPIO29_LEVEL_LOW | RO | 0x0 |
| 19 | GPIO28_EDGE_HIGH | RO | 0x0 |
| 18 | GPIO28_EDGE_LOW | RO | 0x0 |
| 17 | GPIO28_LEVEL_HIGH | RO | 0x0 |
| 16 | GPIO28_LEVEL_LOW | RO | 0x0 |
| 15 | GPIO27_EDGE_HIGH | RO | 0x0 |
| 14 | GPIO27_EDGE_LOW | RO | 0x0 |
| 13 | GPIO27_LEVEL_HIGH | RO | 0x0 |
| 12 | GPIO27_LEVEL_LOW | RO | 0x0 |
| 11 | GPIO26_EDGE_HIGH | RO | 0x0 |
| 10 | GPIO26_EDGE_LOW | RO | 0x0 |
| 9 | GPIO26_LEVEL_HIGH | RO | 0x0 |
| 8 | GPIO26_LEVEL_LOW | RO | 0x0 |
| 7 | GPIO25_EDGE_HIGH | RO | 0x0 |
| 6 | GPIO25_EDGE_LOW | RO | 0x0 |
| 5 | GPIO25_LEVEL_HIGH | RO | 0x0 |
| 4 | GPIO25_LEVEL_LOW | RO | 0x0 |
| 3 | GPIO24_EDGE_HIGH | RO | 0x0 |
| 2 | GPIO24_EDGE_LOW | RO | 0x0 |
| 1 | GPIO24_LEVEL_HIGH | RO | 0x0 |
| 0 | GPIO24_LEVEL_LOW | RO | 0x0 |

IO_BANK0: PROC1_INTS4 Register

Offset: 0x2d0

Description

Interrupt status after masking & forcing for proc1

Table 798.
PROC1_INTS4
Register

| Bits | Description | Type | Reset |
|------|-------------------|------|-------|
| 31 | GPIO39_EDGE_HIGH | RO | 0x0 |
| 30 | GPIO39_EDGE_LOW | RO | 0x0 |
| 29 | GPIO39_LEVEL_HIGH | RO | 0x0 |
| 28 | GPIO39_LEVEL_LOW | RO | 0x0 |
| 27 | GPIO38_EDGE_HIGH | RO | 0x0 |
| 26 | GPIO38_EDGE_LOW | RO | 0x0 |
| 25 | GPIO38_LEVEL_HIGH | RO | 0x0 |
| 24 | GPIO38_LEVEL_LOW | RO | 0x0 |
| 23 | GPIO37_EDGE_HIGH | RO | 0x0 |
| 22 | GPIO37_EDGE_LOW | RO | 0x0 |
| 21 | GPIO37_LEVEL_HIGH | RO | 0x0 |
| 20 | GPIO37_LEVEL_LOW | RO | 0x0 |
| 19 | GPIO36_EDGE_HIGH | RO | 0x0 |
| 18 | GPIO36_EDGE_LOW | RO | 0x0 |
| 17 | GPIO36_LEVEL_HIGH | RO | 0x0 |
| 16 | GPIO36_LEVEL_LOW | RO | 0x0 |
| 15 | GPIO35_EDGE_HIGH | RO | 0x0 |
| 14 | GPIO35_EDGE_LOW | RO | 0x0 |
| 13 | GPIO35_LEVEL_HIGH | RO | 0x0 |
| 12 | GPIO35_LEVEL_LOW | RO | 0x0 |
| 11 | GPIO34_EDGE_HIGH | RO | 0x0 |
| 10 | GPIO34_EDGE_LOW | RO | 0x0 |
| 9 | GPIO34_LEVEL_HIGH | RO | 0x0 |
| 8 | GPIO34_LEVEL_LOW | RO | 0x0 |
| 7 | GPIO33_EDGE_HIGH | RO | 0x0 |
| 6 | GPIO33_EDGE_LOW | RO | 0x0 |
| 5 | GPIO33_LEVEL_HIGH | RO | 0x0 |
| 4 | GPIO33_LEVEL_LOW | RO | 0x0 |
| 3 | GPIO32_EDGE_HIGH | RO | 0x0 |
| 2 | GPIO32_EDGE_LOW | RO | 0x0 |
| 1 | GPIO32_LEVEL_HIGH | RO | 0x0 |
| 0 | GPIO32_LEVEL_LOW | RO | 0x0 |

IO_BANK0: PROC1_INTS5 Register

Offset: 0x2d4

Description

Interrupt status after masking & forcing for proc1

Table 799.
PROC1_INTS5
Register

| Bits | Description | Type | Reset |
|------|-------------------|------|-------|
| 31 | GPIO47_EDGE_HIGH | RO | 0x0 |
| 30 | GPIO47_EDGE_LOW | RO | 0x0 |
| 29 | GPIO47_LEVEL_HIGH | RO | 0x0 |
| 28 | GPIO47_LEVEL_LOW | RO | 0x0 |
| 27 | GPIO46_EDGE_HIGH | RO | 0x0 |
| 26 | GPIO46_EDGE_LOW | RO | 0x0 |
| 25 | GPIO46_LEVEL_HIGH | RO | 0x0 |
| 24 | GPIO46_LEVEL_LOW | RO | 0x0 |
| 23 | GPIO45_EDGE_HIGH | RO | 0x0 |
| 22 | GPIO45_EDGE_LOW | RO | 0x0 |
| 21 | GPIO45_LEVEL_HIGH | RO | 0x0 |
| 20 | GPIO45_LEVEL_LOW | RO | 0x0 |
| 19 | GPIO44_EDGE_HIGH | RO | 0x0 |
| 18 | GPIO44_EDGE_LOW | RO | 0x0 |
| 17 | GPIO44_LEVEL_HIGH | RO | 0x0 |
| 16 | GPIO44_LEVEL_LOW | RO | 0x0 |
| 15 | GPIO43_EDGE_HIGH | RO | 0x0 |
| 14 | GPIO43_EDGE_LOW | RO | 0x0 |
| 13 | GPIO43_LEVEL_HIGH | RO | 0x0 |
| 12 | GPIO43_LEVEL_LOW | RO | 0x0 |
| 11 | GPIO42_EDGE_HIGH | RO | 0x0 |
| 10 | GPIO42_EDGE_LOW | RO | 0x0 |
| 9 | GPIO42_LEVEL_HIGH | RO | 0x0 |
| 8 | GPIO42_LEVEL_LOW | RO | 0x0 |
| 7 | GPIO41_EDGE_HIGH | RO | 0x0 |
| 6 | GPIO41_EDGE_LOW | RO | 0x0 |
| 5 | GPIO41_LEVEL_HIGH | RO | 0x0 |
| 4 | GPIO41_LEVEL_LOW | RO | 0x0 |
| 3 | GPIO40_EDGE_HIGH | RO | 0x0 |
| 2 | GPIO40_EDGE_LOW | RO | 0x0 |
| 1 | GPIO40_LEVEL_HIGH | RO | 0x0 |
| 0 | GPIO40_LEVEL_LOW | RO | 0x0 |

IO_BANK0: DORMANT_WAKE_INTE0 Register

Offset: 0x2d8

Description

Interrupt Enable for dormant_wake

Table 800.
DORMANT_WAKE_INTE1 Register

| Bits | Description | Type | Reset |
|------|------------------|------|-------|
| 31 | GPIO7_EDGE_HIGH | RW | 0x0 |
| 30 | GPIO7_EDGE_LOW | RW | 0x0 |
| 29 | GPIO7_LEVEL_HIGH | RW | 0x0 |
| 28 | GPIO7_LEVEL_LOW | RW | 0x0 |
| 27 | GPIO6_EDGE_HIGH | RW | 0x0 |
| 26 | GPIO6_EDGE_LOW | RW | 0x0 |
| 25 | GPIO6_LEVEL_HIGH | RW | 0x0 |
| 24 | GPIO6_LEVEL_LOW | RW | 0x0 |
| 23 | GPIO5_EDGE_HIGH | RW | 0x0 |
| 22 | GPIO5_EDGE_LOW | RW | 0x0 |
| 21 | GPIO5_LEVEL_HIGH | RW | 0x0 |
| 20 | GPIO5_LEVEL_LOW | RW | 0x0 |
| 19 | GPIO4_EDGE_HIGH | RW | 0x0 |
| 18 | GPIO4_EDGE_LOW | RW | 0x0 |
| 17 | GPIO4_LEVEL_HIGH | RW | 0x0 |
| 16 | GPIO4_LEVEL_LOW | RW | 0x0 |
| 15 | GPIO3_EDGE_HIGH | RW | 0x0 |
| 14 | GPIO3_EDGE_LOW | RW | 0x0 |
| 13 | GPIO3_LEVEL_HIGH | RW | 0x0 |
| 12 | GPIO3_LEVEL_LOW | RW | 0x0 |
| 11 | GPIO2_EDGE_HIGH | RW | 0x0 |
| 10 | GPIO2_EDGE_LOW | RW | 0x0 |
| 9 | GPIO2_LEVEL_HIGH | RW | 0x0 |
| 8 | GPIO2_LEVEL_LOW | RW | 0x0 |
| 7 | GPIO1_EDGE_HIGH | RW | 0x0 |
| 6 | GPIO1_EDGE_LOW | RW | 0x0 |
| 5 | GPIO1_LEVEL_HIGH | RW | 0x0 |
| 4 | GPIO1_LEVEL_LOW | RW | 0x0 |
| 3 | GPIO0_EDGE_HIGH | RW | 0x0 |
| 2 | GPIO0_EDGE_LOW | RW | 0x0 |
| 1 | GPIO0_LEVEL_HIGH | RW | 0x0 |
| 0 | GPIO0_LEVEL_LOW | RW | 0x0 |

IO_BANK0: DORMANT_WAKE_INTE1 Register

Offset: 0x2dc

Description

Interrupt Enable for dormant_wake

Table 801.
DORMANT_WAKE_INT
E1 Register

| Bits | Description | Type | Reset |
|------|-------------------|------|-------|
| 31 | GPIO15_EDGE_HIGH | RW | 0x0 |
| 30 | GPIO15_EDGE_LOW | RW | 0x0 |
| 29 | GPIO15_LEVEL_HIGH | RW | 0x0 |
| 28 | GPIO15_LEVEL_LOW | RW | 0x0 |
| 27 | GPIO14_EDGE_HIGH | RW | 0x0 |
| 26 | GPIO14_EDGE_LOW | RW | 0x0 |
| 25 | GPIO14_LEVEL_HIGH | RW | 0x0 |
| 24 | GPIO14_LEVEL_LOW | RW | 0x0 |
| 23 | GPIO13_EDGE_HIGH | RW | 0x0 |
| 22 | GPIO13_EDGE_LOW | RW | 0x0 |
| 21 | GPIO13_LEVEL_HIGH | RW | 0x0 |
| 20 | GPIO13_LEVEL_LOW | RW | 0x0 |
| 19 | GPIO12_EDGE_HIGH | RW | 0x0 |
| 18 | GPIO12_EDGE_LOW | RW | 0x0 |
| 17 | GPIO12_LEVEL_HIGH | RW | 0x0 |
| 16 | GPIO12_LEVEL_LOW | RW | 0x0 |
| 15 | GPIO11_EDGE_HIGH | RW | 0x0 |
| 14 | GPIO11_EDGE_LOW | RW | 0x0 |
| 13 | GPIO11_LEVEL_HIGH | RW | 0x0 |
| 12 | GPIO11_LEVEL_LOW | RW | 0x0 |
| 11 | GPIO10_EDGE_HIGH | RW | 0x0 |
| 10 | GPIO10_EDGE_LOW | RW | 0x0 |
| 9 | GPIO10_LEVEL_HIGH | RW | 0x0 |
| 8 | GPIO10_LEVEL_LOW | RW | 0x0 |
| 7 | GPIO9_EDGE_HIGH | RW | 0x0 |
| 6 | GPIO9_EDGE_LOW | RW | 0x0 |
| 5 | GPIO9_LEVEL_HIGH | RW | 0x0 |
| 4 | GPIO9_LEVEL_LOW | RW | 0x0 |
| 3 | GPIO8_EDGE_HIGH | RW | 0x0 |
| 2 | GPIO8_EDGE_LOW | RW | 0x0 |
| 1 | GPIO8_LEVEL_HIGH | RW | 0x0 |
| 0 | GPIO8_LEVEL_LOW | RW | 0x0 |

IO_BANK0: DORMANT_WAKE_INTE2 Register

Offset: 0x2e0

Description

Interrupt Enable for dormant_wake

Table 802.
DORMANT_WAKE_INT
E2 Register

| Bits | Description | Type | Reset |
|------|-------------------|------|-------|
| 31 | GPIO23_EDGE_HIGH | RW | 0x0 |
| 30 | GPIO23_EDGE_LOW | RW | 0x0 |
| 29 | GPIO23_LEVEL_HIGH | RW | 0x0 |
| 28 | GPIO23_LEVEL_LOW | RW | 0x0 |
| 27 | GPIO22_EDGE_HIGH | RW | 0x0 |
| 26 | GPIO22_EDGE_LOW | RW | 0x0 |
| 25 | GPIO22_LEVEL_HIGH | RW | 0x0 |
| 24 | GPIO22_LEVEL_LOW | RW | 0x0 |
| 23 | GPIO21_EDGE_HIGH | RW | 0x0 |
| 22 | GPIO21_EDGE_LOW | RW | 0x0 |
| 21 | GPIO21_LEVEL_HIGH | RW | 0x0 |
| 20 | GPIO21_LEVEL_LOW | RW | 0x0 |
| 19 | GPIO20_EDGE_HIGH | RW | 0x0 |
| 18 | GPIO20_EDGE_LOW | RW | 0x0 |
| 17 | GPIO20_LEVEL_HIGH | RW | 0x0 |
| 16 | GPIO20_LEVEL_LOW | RW | 0x0 |
| 15 | GPIO19_EDGE_HIGH | RW | 0x0 |
| 14 | GPIO19_EDGE_LOW | RW | 0x0 |
| 13 | GPIO19_LEVEL_HIGH | RW | 0x0 |
| 12 | GPIO19_LEVEL_LOW | RW | 0x0 |
| 11 | GPIO18_EDGE_HIGH | RW | 0x0 |
| 10 | GPIO18_EDGE_LOW | RW | 0x0 |
| 9 | GPIO18_LEVEL_HIGH | RW | 0x0 |
| 8 | GPIO18_LEVEL_LOW | RW | 0x0 |
| 7 | GPIO17_EDGE_HIGH | RW | 0x0 |
| 6 | GPIO17_EDGE_LOW | RW | 0x0 |
| 5 | GPIO17_LEVEL_HIGH | RW | 0x0 |
| 4 | GPIO17_LEVEL_LOW | RW | 0x0 |
| 3 | GPIO16_EDGE_HIGH | RW | 0x0 |
| 2 | GPIO16_EDGE_LOW | RW | 0x0 |
| 1 | GPIO16_LEVEL_HIGH | RW | 0x0 |
| 0 | GPIO16_LEVEL_LOW | RW | 0x0 |

IO_BANK0: DORMANT_WAKE_INTE3 Register

Offset: 0x2e4

Description

Interrupt Enable for dormant_wake

Table 803.
DORMANT_WAKE_INT
E3 Register

| Bits | Description | Type | Reset |
|------|-------------------|------|-------|
| 31 | GPIO31_EDGE_HIGH | RW | 0x0 |
| 30 | GPIO31_EDGE_LOW | RW | 0x0 |
| 29 | GPIO31_LEVEL_HIGH | RW | 0x0 |
| 28 | GPIO31_LEVEL_LOW | RW | 0x0 |
| 27 | GPIO30_EDGE_HIGH | RW | 0x0 |
| 26 | GPIO30_EDGE_LOW | RW | 0x0 |
| 25 | GPIO30_LEVEL_HIGH | RW | 0x0 |
| 24 | GPIO30_LEVEL_LOW | RW | 0x0 |
| 23 | GPIO29_EDGE_HIGH | RW | 0x0 |
| 22 | GPIO29_EDGE_LOW | RW | 0x0 |
| 21 | GPIO29_LEVEL_HIGH | RW | 0x0 |
| 20 | GPIO29_LEVEL_LOW | RW | 0x0 |
| 19 | GPIO28_EDGE_HIGH | RW | 0x0 |
| 18 | GPIO28_EDGE_LOW | RW | 0x0 |
| 17 | GPIO28_LEVEL_HIGH | RW | 0x0 |
| 16 | GPIO28_LEVEL_LOW | RW | 0x0 |
| 15 | GPIO27_EDGE_HIGH | RW | 0x0 |
| 14 | GPIO27_EDGE_LOW | RW | 0x0 |
| 13 | GPIO27_LEVEL_HIGH | RW | 0x0 |
| 12 | GPIO27_LEVEL_LOW | RW | 0x0 |
| 11 | GPIO26_EDGE_HIGH | RW | 0x0 |
| 10 | GPIO26_EDGE_LOW | RW | 0x0 |
| 9 | GPIO26_LEVEL_HIGH | RW | 0x0 |
| 8 | GPIO26_LEVEL_LOW | RW | 0x0 |
| 7 | GPIO25_EDGE_HIGH | RW | 0x0 |
| 6 | GPIO25_EDGE_LOW | RW | 0x0 |
| 5 | GPIO25_LEVEL_HIGH | RW | 0x0 |
| 4 | GPIO25_LEVEL_LOW | RW | 0x0 |
| 3 | GPIO24_EDGE_HIGH | RW | 0x0 |
| 2 | GPIO24_EDGE_LOW | RW | 0x0 |
| 1 | GPIO24_LEVEL_HIGH | RW | 0x0 |
| 0 | GPIO24_LEVEL_LOW | RW | 0x0 |

IO_BANK0: DORMANT_WAKE_INTE4 Register

Offset: 0x2e8

Description

Interrupt Enable for dormant_wake

Table 804.
DORMANT_WAKE_INT
E4 Register

| Bits | Description | Type | Reset |
|------|-------------------|------|-------|
| 31 | GPIO39_EDGE_HIGH | RW | 0x0 |
| 30 | GPIO39_EDGE_LOW | RW | 0x0 |
| 29 | GPIO39_LEVEL_HIGH | RW | 0x0 |
| 28 | GPIO39_LEVEL_LOW | RW | 0x0 |
| 27 | GPIO38_EDGE_HIGH | RW | 0x0 |
| 26 | GPIO38_EDGE_LOW | RW | 0x0 |
| 25 | GPIO38_LEVEL_HIGH | RW | 0x0 |
| 24 | GPIO38_LEVEL_LOW | RW | 0x0 |
| 23 | GPIO37_EDGE_HIGH | RW | 0x0 |
| 22 | GPIO37_EDGE_LOW | RW | 0x0 |
| 21 | GPIO37_LEVEL_HIGH | RW | 0x0 |
| 20 | GPIO37_LEVEL_LOW | RW | 0x0 |
| 19 | GPIO36_EDGE_HIGH | RW | 0x0 |
| 18 | GPIO36_EDGE_LOW | RW | 0x0 |
| 17 | GPIO36_LEVEL_HIGH | RW | 0x0 |
| 16 | GPIO36_LEVEL_LOW | RW | 0x0 |
| 15 | GPIO35_EDGE_HIGH | RW | 0x0 |
| 14 | GPIO35_EDGE_LOW | RW | 0x0 |
| 13 | GPIO35_LEVEL_HIGH | RW | 0x0 |
| 12 | GPIO35_LEVEL_LOW | RW | 0x0 |
| 11 | GPIO34_EDGE_HIGH | RW | 0x0 |
| 10 | GPIO34_EDGE_LOW | RW | 0x0 |
| 9 | GPIO34_LEVEL_HIGH | RW | 0x0 |
| 8 | GPIO34_LEVEL_LOW | RW | 0x0 |
| 7 | GPIO33_EDGE_HIGH | RW | 0x0 |
| 6 | GPIO33_EDGE_LOW | RW | 0x0 |
| 5 | GPIO33_LEVEL_HIGH | RW | 0x0 |
| 4 | GPIO33_LEVEL_LOW | RW | 0x0 |
| 3 | GPIO32_EDGE_HIGH | RW | 0x0 |
| 2 | GPIO32_EDGE_LOW | RW | 0x0 |
| 1 | GPIO32_LEVEL_HIGH | RW | 0x0 |
| 0 | GPIO32_LEVEL_LOW | RW | 0x0 |

IO_BANK0: DORMANT_WAKE_INTE5 Register

Offset: 0x2ec

Description

Interrupt Enable for dormant_wake

Table 805.
DORMANT_WAKE_INT
E5 Register

| Bits | Description | Type | Reset |
|------|-------------------|------|-------|
| 31 | GPIO47_EDGE_HIGH | RW | 0x0 |
| 30 | GPIO47_EDGE_LOW | RW | 0x0 |
| 29 | GPIO47_LEVEL_HIGH | RW | 0x0 |
| 28 | GPIO47_LEVEL_LOW | RW | 0x0 |
| 27 | GPIO46_EDGE_HIGH | RW | 0x0 |
| 26 | GPIO46_EDGE_LOW | RW | 0x0 |
| 25 | GPIO46_LEVEL_HIGH | RW | 0x0 |
| 24 | GPIO46_LEVEL_LOW | RW | 0x0 |
| 23 | GPIO45_EDGE_HIGH | RW | 0x0 |
| 22 | GPIO45_EDGE_LOW | RW | 0x0 |
| 21 | GPIO45_LEVEL_HIGH | RW | 0x0 |
| 20 | GPIO45_LEVEL_LOW | RW | 0x0 |
| 19 | GPIO44_EDGE_HIGH | RW | 0x0 |
| 18 | GPIO44_EDGE_LOW | RW | 0x0 |
| 17 | GPIO44_LEVEL_HIGH | RW | 0x0 |
| 16 | GPIO44_LEVEL_LOW | RW | 0x0 |
| 15 | GPIO43_EDGE_HIGH | RW | 0x0 |
| 14 | GPIO43_EDGE_LOW | RW | 0x0 |
| 13 | GPIO43_LEVEL_HIGH | RW | 0x0 |
| 12 | GPIO43_LEVEL_LOW | RW | 0x0 |
| 11 | GPIO42_EDGE_HIGH | RW | 0x0 |
| 10 | GPIO42_EDGE_LOW | RW | 0x0 |
| 9 | GPIO42_LEVEL_HIGH | RW | 0x0 |
| 8 | GPIO42_LEVEL_LOW | RW | 0x0 |
| 7 | GPIO41_EDGE_HIGH | RW | 0x0 |
| 6 | GPIO41_EDGE_LOW | RW | 0x0 |
| 5 | GPIO41_LEVEL_HIGH | RW | 0x0 |
| 4 | GPIO41_LEVEL_LOW | RW | 0x0 |
| 3 | GPIO40_EDGE_HIGH | RW | 0x0 |
| 2 | GPIO40_EDGE_LOW | RW | 0x0 |
| 1 | GPIO40_LEVEL_HIGH | RW | 0x0 |
| 0 | GPIO40_LEVEL_LOW | RW | 0x0 |

IO_BANK0: DORMANT_WAKE_INTF0 Register

Offset: 0x2f0

Description

Interrupt Force for dormant_wake

Table 806.
DORMANT_WAKE_INT
F0 Register

| Bits | Description | Type | Reset |
|------|------------------|------|-------|
| 31 | GPIO7_EDGE_HIGH | RW | 0x0 |
| 30 | GPIO7_EDGE_LOW | RW | 0x0 |
| 29 | GPIO7_LEVEL_HIGH | RW | 0x0 |
| 28 | GPIO7_LEVEL_LOW | RW | 0x0 |
| 27 | GPIO6_EDGE_HIGH | RW | 0x0 |
| 26 | GPIO6_EDGE_LOW | RW | 0x0 |
| 25 | GPIO6_LEVEL_HIGH | RW | 0x0 |
| 24 | GPIO6_LEVEL_LOW | RW | 0x0 |
| 23 | GPIO5_EDGE_HIGH | RW | 0x0 |
| 22 | GPIO5_EDGE_LOW | RW | 0x0 |
| 21 | GPIO5_LEVEL_HIGH | RW | 0x0 |
| 20 | GPIO5_LEVEL_LOW | RW | 0x0 |
| 19 | GPIO4_EDGE_HIGH | RW | 0x0 |
| 18 | GPIO4_EDGE_LOW | RW | 0x0 |
| 17 | GPIO4_LEVEL_HIGH | RW | 0x0 |
| 16 | GPIO4_LEVEL_LOW | RW | 0x0 |
| 15 | GPIO3_EDGE_HIGH | RW | 0x0 |
| 14 | GPIO3_EDGE_LOW | RW | 0x0 |
| 13 | GPIO3_LEVEL_HIGH | RW | 0x0 |
| 12 | GPIO3_LEVEL_LOW | RW | 0x0 |
| 11 | GPIO2_EDGE_HIGH | RW | 0x0 |
| 10 | GPIO2_EDGE_LOW | RW | 0x0 |
| 9 | GPIO2_LEVEL_HIGH | RW | 0x0 |
| 8 | GPIO2_LEVEL_LOW | RW | 0x0 |
| 7 | GPIO1_EDGE_HIGH | RW | 0x0 |
| 6 | GPIO1_EDGE_LOW | RW | 0x0 |
| 5 | GPIO1_LEVEL_HIGH | RW | 0x0 |
| 4 | GPIO1_LEVEL_LOW | RW | 0x0 |
| 3 | GPIO0_EDGE_HIGH | RW | 0x0 |
| 2 | GPIO0_EDGE_LOW | RW | 0x0 |
| 1 | GPIO0_LEVEL_HIGH | RW | 0x0 |
| 0 | GPIO0_LEVEL_LOW | RW | 0x0 |

IO_BANK0: DORMANT_WAKE_INTF1 Register

Offset: 0x2f4

Description

Interrupt Force for dormant_wake

Table 807.
DORMANT_WAKE_INT
F1 Register

| Bits | Description | Type | Reset |
|------|-------------------|------|-------|
| 31 | GPIO15_EDGE_HIGH | RW | 0x0 |
| 30 | GPIO15_EDGE_LOW | RW | 0x0 |
| 29 | GPIO15_LEVEL_HIGH | RW | 0x0 |
| 28 | GPIO15_LEVEL_LOW | RW | 0x0 |
| 27 | GPIO14_EDGE_HIGH | RW | 0x0 |
| 26 | GPIO14_EDGE_LOW | RW | 0x0 |
| 25 | GPIO14_LEVEL_HIGH | RW | 0x0 |
| 24 | GPIO14_LEVEL_LOW | RW | 0x0 |
| 23 | GPIO13_EDGE_HIGH | RW | 0x0 |
| 22 | GPIO13_EDGE_LOW | RW | 0x0 |
| 21 | GPIO13_LEVEL_HIGH | RW | 0x0 |
| 20 | GPIO13_LEVEL_LOW | RW | 0x0 |
| 19 | GPIO12_EDGE_HIGH | RW | 0x0 |
| 18 | GPIO12_EDGE_LOW | RW | 0x0 |
| 17 | GPIO12_LEVEL_HIGH | RW | 0x0 |
| 16 | GPIO12_LEVEL_LOW | RW | 0x0 |
| 15 | GPIO11_EDGE_HIGH | RW | 0x0 |
| 14 | GPIO11_EDGE_LOW | RW | 0x0 |
| 13 | GPIO11_LEVEL_HIGH | RW | 0x0 |
| 12 | GPIO11_LEVEL_LOW | RW | 0x0 |
| 11 | GPIO10_EDGE_HIGH | RW | 0x0 |
| 10 | GPIO10_EDGE_LOW | RW | 0x0 |
| 9 | GPIO10_LEVEL_HIGH | RW | 0x0 |
| 8 | GPIO10_LEVEL_LOW | RW | 0x0 |
| 7 | GPIO9_EDGE_HIGH | RW | 0x0 |
| 6 | GPIO9_EDGE_LOW | RW | 0x0 |
| 5 | GPIO9_LEVEL_HIGH | RW | 0x0 |
| 4 | GPIO9_LEVEL_LOW | RW | 0x0 |
| 3 | GPIO8_EDGE_HIGH | RW | 0x0 |
| 2 | GPIO8_EDGE_LOW | RW | 0x0 |
| 1 | GPIO8_LEVEL_HIGH | RW | 0x0 |
| 0 | GPIO8_LEVEL_LOW | RW | 0x0 |

IO_BANK0: DORMANT_WAKE_INTF2 Register

Offset: 0x2f8

Description

Interrupt Force for dormant_wake

Table 808.
DORMANT_WAKE_INT
F2 Register

| Bits | Description | Type | Reset |
|------|-------------------|------|-------|
| 31 | GPIO23_EDGE_HIGH | RW | 0x0 |
| 30 | GPIO23_EDGE_LOW | RW | 0x0 |
| 29 | GPIO23_LEVEL_HIGH | RW | 0x0 |
| 28 | GPIO23_LEVEL_LOW | RW | 0x0 |
| 27 | GPIO22_EDGE_HIGH | RW | 0x0 |
| 26 | GPIO22_EDGE_LOW | RW | 0x0 |
| 25 | GPIO22_LEVEL_HIGH | RW | 0x0 |
| 24 | GPIO22_LEVEL_LOW | RW | 0x0 |
| 23 | GPIO21_EDGE_HIGH | RW | 0x0 |
| 22 | GPIO21_EDGE_LOW | RW | 0x0 |
| 21 | GPIO21_LEVEL_HIGH | RW | 0x0 |
| 20 | GPIO21_LEVEL_LOW | RW | 0x0 |
| 19 | GPIO20_EDGE_HIGH | RW | 0x0 |
| 18 | GPIO20_EDGE_LOW | RW | 0x0 |
| 17 | GPIO20_LEVEL_HIGH | RW | 0x0 |
| 16 | GPIO20_LEVEL_LOW | RW | 0x0 |
| 15 | GPIO19_EDGE_HIGH | RW | 0x0 |
| 14 | GPIO19_EDGE_LOW | RW | 0x0 |
| 13 | GPIO19_LEVEL_HIGH | RW | 0x0 |
| 12 | GPIO19_LEVEL_LOW | RW | 0x0 |
| 11 | GPIO18_EDGE_HIGH | RW | 0x0 |
| 10 | GPIO18_EDGE_LOW | RW | 0x0 |
| 9 | GPIO18_LEVEL_HIGH | RW | 0x0 |
| 8 | GPIO18_LEVEL_LOW | RW | 0x0 |
| 7 | GPIO17_EDGE_HIGH | RW | 0x0 |
| 6 | GPIO17_EDGE_LOW | RW | 0x0 |
| 5 | GPIO17_LEVEL_HIGH | RW | 0x0 |
| 4 | GPIO17_LEVEL_LOW | RW | 0x0 |
| 3 | GPIO16_EDGE_HIGH | RW | 0x0 |
| 2 | GPIO16_EDGE_LOW | RW | 0x0 |
| 1 | GPIO16_LEVEL_HIGH | RW | 0x0 |
| 0 | GPIO16_LEVEL_LOW | RW | 0x0 |

IO_BANK0: DORMANT_WAKE_INTF3 Register

Offset: 0x2fc

Description

Interrupt Force for dormant_wake

Table 809.
DORMANT_WAKE_INT
F3 Register

| Bits | Description | Type | Reset |
|------|-------------------|------|-------|
| 31 | GPIO31_EDGE_HIGH | RW | 0x0 |
| 30 | GPIO31_EDGE_LOW | RW | 0x0 |
| 29 | GPIO31_LEVEL_HIGH | RW | 0x0 |
| 28 | GPIO31_LEVEL_LOW | RW | 0x0 |
| 27 | GPIO30_EDGE_HIGH | RW | 0x0 |
| 26 | GPIO30_EDGE_LOW | RW | 0x0 |
| 25 | GPIO30_LEVEL_HIGH | RW | 0x0 |
| 24 | GPIO30_LEVEL_LOW | RW | 0x0 |
| 23 | GPIO29_EDGE_HIGH | RW | 0x0 |
| 22 | GPIO29_EDGE_LOW | RW | 0x0 |
| 21 | GPIO29_LEVEL_HIGH | RW | 0x0 |
| 20 | GPIO29_LEVEL_LOW | RW | 0x0 |
| 19 | GPIO28_EDGE_HIGH | RW | 0x0 |
| 18 | GPIO28_EDGE_LOW | RW | 0x0 |
| 17 | GPIO28_LEVEL_HIGH | RW | 0x0 |
| 16 | GPIO28_LEVEL_LOW | RW | 0x0 |
| 15 | GPIO27_EDGE_HIGH | RW | 0x0 |
| 14 | GPIO27_EDGE_LOW | RW | 0x0 |
| 13 | GPIO27_LEVEL_HIGH | RW | 0x0 |
| 12 | GPIO27_LEVEL_LOW | RW | 0x0 |
| 11 | GPIO26_EDGE_HIGH | RW | 0x0 |
| 10 | GPIO26_EDGE_LOW | RW | 0x0 |
| 9 | GPIO26_LEVEL_HIGH | RW | 0x0 |
| 8 | GPIO26_LEVEL_LOW | RW | 0x0 |
| 7 | GPIO25_EDGE_HIGH | RW | 0x0 |
| 6 | GPIO25_EDGE_LOW | RW | 0x0 |
| 5 | GPIO25_LEVEL_HIGH | RW | 0x0 |
| 4 | GPIO25_LEVEL_LOW | RW | 0x0 |
| 3 | GPIO24_EDGE_HIGH | RW | 0x0 |
| 2 | GPIO24_EDGE_LOW | RW | 0x0 |
| 1 | GPIO24_LEVEL_HIGH | RW | 0x0 |
| 0 | GPIO24_LEVEL_LOW | RW | 0x0 |

IO_BANK0: DORMANT_WAKE_INTF4 Register

Offset: 0x300

Description

Interrupt Force for dormant_wake

Table 810.
DORMANT_WAKE_INT
F4 Register

| Bits | Description | Type | Reset |
|------|-------------------|------|-------|
| 31 | GPIO39_EDGE_HIGH | RW | 0x0 |
| 30 | GPIO39_EDGE_LOW | RW | 0x0 |
| 29 | GPIO39_LEVEL_HIGH | RW | 0x0 |
| 28 | GPIO39_LEVEL_LOW | RW | 0x0 |
| 27 | GPIO38_EDGE_HIGH | RW | 0x0 |
| 26 | GPIO38_EDGE_LOW | RW | 0x0 |
| 25 | GPIO38_LEVEL_HIGH | RW | 0x0 |
| 24 | GPIO38_LEVEL_LOW | RW | 0x0 |
| 23 | GPIO37_EDGE_HIGH | RW | 0x0 |
| 22 | GPIO37_EDGE_LOW | RW | 0x0 |
| 21 | GPIO37_LEVEL_HIGH | RW | 0x0 |
| 20 | GPIO37_LEVEL_LOW | RW | 0x0 |
| 19 | GPIO36_EDGE_HIGH | RW | 0x0 |
| 18 | GPIO36_EDGE_LOW | RW | 0x0 |
| 17 | GPIO36_LEVEL_HIGH | RW | 0x0 |
| 16 | GPIO36_LEVEL_LOW | RW | 0x0 |
| 15 | GPIO35_EDGE_HIGH | RW | 0x0 |
| 14 | GPIO35_EDGE_LOW | RW | 0x0 |
| 13 | GPIO35_LEVEL_HIGH | RW | 0x0 |
| 12 | GPIO35_LEVEL_LOW | RW | 0x0 |
| 11 | GPIO34_EDGE_HIGH | RW | 0x0 |
| 10 | GPIO34_EDGE_LOW | RW | 0x0 |
| 9 | GPIO34_LEVEL_HIGH | RW | 0x0 |
| 8 | GPIO34_LEVEL_LOW | RW | 0x0 |
| 7 | GPIO33_EDGE_HIGH | RW | 0x0 |
| 6 | GPIO33_EDGE_LOW | RW | 0x0 |
| 5 | GPIO33_LEVEL_HIGH | RW | 0x0 |
| 4 | GPIO33_LEVEL_LOW | RW | 0x0 |
| 3 | GPIO32_EDGE_HIGH | RW | 0x0 |
| 2 | GPIO32_EDGE_LOW | RW | 0x0 |
| 1 | GPIO32_LEVEL_HIGH | RW | 0x0 |
| 0 | GPIO32_LEVEL_LOW | RW | 0x0 |

IO_BANK0: DORMANT_WAKE_INTF5 Register

Offset: 0x304

Description

Interrupt Force for dormant_wake

Table 811.
DORMANT_WAKE_INT
F5 Register

| Bits | Description | Type | Reset |
|------|-------------------|------|-------|
| 31 | GPIO47_EDGE_HIGH | RW | 0x0 |
| 30 | GPIO47_EDGE_LOW | RW | 0x0 |
| 29 | GPIO47_LEVEL_HIGH | RW | 0x0 |
| 28 | GPIO47_LEVEL_LOW | RW | 0x0 |
| 27 | GPIO46_EDGE_HIGH | RW | 0x0 |
| 26 | GPIO46_EDGE_LOW | RW | 0x0 |
| 25 | GPIO46_LEVEL_HIGH | RW | 0x0 |
| 24 | GPIO46_LEVEL_LOW | RW | 0x0 |
| 23 | GPIO45_EDGE_HIGH | RW | 0x0 |
| 22 | GPIO45_EDGE_LOW | RW | 0x0 |
| 21 | GPIO45_LEVEL_HIGH | RW | 0x0 |
| 20 | GPIO45_LEVEL_LOW | RW | 0x0 |
| 19 | GPIO44_EDGE_HIGH | RW | 0x0 |
| 18 | GPIO44_EDGE_LOW | RW | 0x0 |
| 17 | GPIO44_LEVEL_HIGH | RW | 0x0 |
| 16 | GPIO44_LEVEL_LOW | RW | 0x0 |
| 15 | GPIO43_EDGE_HIGH | RW | 0x0 |
| 14 | GPIO43_EDGE_LOW | RW | 0x0 |
| 13 | GPIO43_LEVEL_HIGH | RW | 0x0 |
| 12 | GPIO43_LEVEL_LOW | RW | 0x0 |
| 11 | GPIO42_EDGE_HIGH | RW | 0x0 |
| 10 | GPIO42_EDGE_LOW | RW | 0x0 |
| 9 | GPIO42_LEVEL_HIGH | RW | 0x0 |
| 8 | GPIO42_LEVEL_LOW | RW | 0x0 |
| 7 | GPIO41_EDGE_HIGH | RW | 0x0 |
| 6 | GPIO41_EDGE_LOW | RW | 0x0 |
| 5 | GPIO41_LEVEL_HIGH | RW | 0x0 |
| 4 | GPIO41_LEVEL_LOW | RW | 0x0 |
| 3 | GPIO40_EDGE_HIGH | RW | 0x0 |
| 2 | GPIO40_EDGE_LOW | RW | 0x0 |
| 1 | GPIO40_LEVEL_HIGH | RW | 0x0 |
| 0 | GPIO40_LEVEL_LOW | RW | 0x0 |

IO_BANK0: DORMANT_WAKE_INTS0 Register

Offset: 0x308

Description

Interrupt status after masking & forcing for dormant_wake

Table 812.
DORMANT_WAKE_INT
S0 Register

| Bits | Description | Type | Reset |
|------|------------------|------|-------|
| 31 | GPIO7_EDGE_HIGH | RO | 0x0 |
| 30 | GPIO7_EDGE_LOW | RO | 0x0 |
| 29 | GPIO7_LEVEL_HIGH | RO | 0x0 |
| 28 | GPIO7_LEVEL_LOW | RO | 0x0 |
| 27 | GPIO6_EDGE_HIGH | RO | 0x0 |
| 26 | GPIO6_EDGE_LOW | RO | 0x0 |
| 25 | GPIO6_LEVEL_HIGH | RO | 0x0 |
| 24 | GPIO6_LEVEL_LOW | RO | 0x0 |
| 23 | GPIO5_EDGE_HIGH | RO | 0x0 |
| 22 | GPIO5_EDGE_LOW | RO | 0x0 |
| 21 | GPIO5_LEVEL_HIGH | RO | 0x0 |
| 20 | GPIO5_LEVEL_LOW | RO | 0x0 |
| 19 | GPIO4_EDGE_HIGH | RO | 0x0 |
| 18 | GPIO4_EDGE_LOW | RO | 0x0 |
| 17 | GPIO4_LEVEL_HIGH | RO | 0x0 |
| 16 | GPIO4_LEVEL_LOW | RO | 0x0 |
| 15 | GPIO3_EDGE_HIGH | RO | 0x0 |
| 14 | GPIO3_EDGE_LOW | RO | 0x0 |
| 13 | GPIO3_LEVEL_HIGH | RO | 0x0 |
| 12 | GPIO3_LEVEL_LOW | RO | 0x0 |
| 11 | GPIO2_EDGE_HIGH | RO | 0x0 |
| 10 | GPIO2_EDGE_LOW | RO | 0x0 |
| 9 | GPIO2_LEVEL_HIGH | RO | 0x0 |
| 8 | GPIO2_LEVEL_LOW | RO | 0x0 |
| 7 | GPIO1_EDGE_HIGH | RO | 0x0 |
| 6 | GPIO1_EDGE_LOW | RO | 0x0 |
| 5 | GPIO1_LEVEL_HIGH | RO | 0x0 |
| 4 | GPIO1_LEVEL_LOW | RO | 0x0 |
| 3 | GPIO0_EDGE_HIGH | RO | 0x0 |
| 2 | GPIO0_EDGE_LOW | RO | 0x0 |
| 1 | GPIO0_LEVEL_HIGH | RO | 0x0 |
| 0 | GPIO0_LEVEL_LOW | RO | 0x0 |

IO_BANK0: DORMANT_WAKE_INTS1 Register

Offset: 0x30c

Description

Interrupt status after masking & forcing for dormant_wake

Table 813.
DORMANT_WAKE_INT
S1 Register

| Bits | Description | Type | Reset |
|------|-------------------|------|-------|
| 31 | GPIO15_EDGE_HIGH | RO | 0x0 |
| 30 | GPIO15_EDGE_LOW | RO | 0x0 |
| 29 | GPIO15_LEVEL_HIGH | RO | 0x0 |
| 28 | GPIO15_LEVEL_LOW | RO | 0x0 |
| 27 | GPIO14_EDGE_HIGH | RO | 0x0 |
| 26 | GPIO14_EDGE_LOW | RO | 0x0 |
| 25 | GPIO14_LEVEL_HIGH | RO | 0x0 |
| 24 | GPIO14_LEVEL_LOW | RO | 0x0 |
| 23 | GPIO13_EDGE_HIGH | RO | 0x0 |
| 22 | GPIO13_EDGE_LOW | RO | 0x0 |
| 21 | GPIO13_LEVEL_HIGH | RO | 0x0 |
| 20 | GPIO13_LEVEL_LOW | RO | 0x0 |
| 19 | GPIO12_EDGE_HIGH | RO | 0x0 |
| 18 | GPIO12_EDGE_LOW | RO | 0x0 |
| 17 | GPIO12_LEVEL_HIGH | RO | 0x0 |
| 16 | GPIO12_LEVEL_LOW | RO | 0x0 |
| 15 | GPIO11_EDGE_HIGH | RO | 0x0 |
| 14 | GPIO11_EDGE_LOW | RO | 0x0 |
| 13 | GPIO11_LEVEL_HIGH | RO | 0x0 |
| 12 | GPIO11_LEVEL_LOW | RO | 0x0 |
| 11 | GPIO10_EDGE_HIGH | RO | 0x0 |
| 10 | GPIO10_EDGE_LOW | RO | 0x0 |
| 9 | GPIO10_LEVEL_HIGH | RO | 0x0 |
| 8 | GPIO10_LEVEL_LOW | RO | 0x0 |
| 7 | GPIO9_EDGE_HIGH | RO | 0x0 |
| 6 | GPIO9_EDGE_LOW | RO | 0x0 |
| 5 | GPIO9_LEVEL_HIGH | RO | 0x0 |
| 4 | GPIO9_LEVEL_LOW | RO | 0x0 |
| 3 | GPIO8_EDGE_HIGH | RO | 0x0 |
| 2 | GPIO8_EDGE_LOW | RO | 0x0 |
| 1 | GPIO8_LEVEL_HIGH | RO | 0x0 |
| 0 | GPIO8_LEVEL_LOW | RO | 0x0 |

IO_BANK0: DORMANT_WAKE_INTS2 Register

Offset: 0x310

Description

Interrupt status after masking & forcing for dormant_wake

Table 814.
DORMANT_WAKE_INT
S2 Register

| Bits | Description | Type | Reset |
|------|-------------------|------|-------|
| 31 | GPIO23_EDGE_HIGH | RO | 0x0 |
| 30 | GPIO23_EDGE_LOW | RO | 0x0 |
| 29 | GPIO23_LEVEL_HIGH | RO | 0x0 |
| 28 | GPIO23_LEVEL_LOW | RO | 0x0 |
| 27 | GPIO22_EDGE_HIGH | RO | 0x0 |
| 26 | GPIO22_EDGE_LOW | RO | 0x0 |
| 25 | GPIO22_LEVEL_HIGH | RO | 0x0 |
| 24 | GPIO22_LEVEL_LOW | RO | 0x0 |
| 23 | GPIO21_EDGE_HIGH | RO | 0x0 |
| 22 | GPIO21_EDGE_LOW | RO | 0x0 |
| 21 | GPIO21_LEVEL_HIGH | RO | 0x0 |
| 20 | GPIO21_LEVEL_LOW | RO | 0x0 |
| 19 | GPIO20_EDGE_HIGH | RO | 0x0 |
| 18 | GPIO20_EDGE_LOW | RO | 0x0 |
| 17 | GPIO20_LEVEL_HIGH | RO | 0x0 |
| 16 | GPIO20_LEVEL_LOW | RO | 0x0 |
| 15 | GPIO19_EDGE_HIGH | RO | 0x0 |
| 14 | GPIO19_EDGE_LOW | RO | 0x0 |
| 13 | GPIO19_LEVEL_HIGH | RO | 0x0 |
| 12 | GPIO19_LEVEL_LOW | RO | 0x0 |
| 11 | GPIO18_EDGE_HIGH | RO | 0x0 |
| 10 | GPIO18_EDGE_LOW | RO | 0x0 |
| 9 | GPIO18_LEVEL_HIGH | RO | 0x0 |
| 8 | GPIO18_LEVEL_LOW | RO | 0x0 |
| 7 | GPIO17_EDGE_HIGH | RO | 0x0 |
| 6 | GPIO17_EDGE_LOW | RO | 0x0 |
| 5 | GPIO17_LEVEL_HIGH | RO | 0x0 |
| 4 | GPIO17_LEVEL_LOW | RO | 0x0 |
| 3 | GPIO16_EDGE_HIGH | RO | 0x0 |
| 2 | GPIO16_EDGE_LOW | RO | 0x0 |
| 1 | GPIO16_LEVEL_HIGH | RO | 0x0 |
| 0 | GPIO16_LEVEL_LOW | RO | 0x0 |

IO_BANK0: DORMANT_WAKE_INTS3 Register

Offset: 0x314

Description

Interrupt status after masking & forcing for dormant_wake

Table 815.
DORMANT_WAKE_INT
S3 Register

| Bits | Description | Type | Reset |
|------|-------------------|------|-------|
| 31 | GPIO31_EDGE_HIGH | RO | 0x0 |
| 30 | GPIO31_EDGE_LOW | RO | 0x0 |
| 29 | GPIO31_LEVEL_HIGH | RO | 0x0 |
| 28 | GPIO31_LEVEL_LOW | RO | 0x0 |
| 27 | GPIO30_EDGE_HIGH | RO | 0x0 |
| 26 | GPIO30_EDGE_LOW | RO | 0x0 |
| 25 | GPIO30_LEVEL_HIGH | RO | 0x0 |
| 24 | GPIO30_LEVEL_LOW | RO | 0x0 |
| 23 | GPIO29_EDGE_HIGH | RO | 0x0 |
| 22 | GPIO29_EDGE_LOW | RO | 0x0 |
| 21 | GPIO29_LEVEL_HIGH | RO | 0x0 |
| 20 | GPIO29_LEVEL_LOW | RO | 0x0 |
| 19 | GPIO28_EDGE_HIGH | RO | 0x0 |
| 18 | GPIO28_EDGE_LOW | RO | 0x0 |
| 17 | GPIO28_LEVEL_HIGH | RO | 0x0 |
| 16 | GPIO28_LEVEL_LOW | RO | 0x0 |
| 15 | GPIO27_EDGE_HIGH | RO | 0x0 |
| 14 | GPIO27_EDGE_LOW | RO | 0x0 |
| 13 | GPIO27_LEVEL_HIGH | RO | 0x0 |
| 12 | GPIO27_LEVEL_LOW | RO | 0x0 |
| 11 | GPIO26_EDGE_HIGH | RO | 0x0 |
| 10 | GPIO26_EDGE_LOW | RO | 0x0 |
| 9 | GPIO26_LEVEL_HIGH | RO | 0x0 |
| 8 | GPIO26_LEVEL_LOW | RO | 0x0 |
| 7 | GPIO25_EDGE_HIGH | RO | 0x0 |
| 6 | GPIO25_EDGE_LOW | RO | 0x0 |
| 5 | GPIO25_LEVEL_HIGH | RO | 0x0 |
| 4 | GPIO25_LEVEL_LOW | RO | 0x0 |
| 3 | GPIO24_EDGE_HIGH | RO | 0x0 |
| 2 | GPIO24_EDGE_LOW | RO | 0x0 |
| 1 | GPIO24_LEVEL_HIGH | RO | 0x0 |
| 0 | GPIO24_LEVEL_LOW | RO | 0x0 |

IO_BANK0: DORMANT_WAKE_INTS4 Register

Offset: 0x318

Description

Interrupt status after masking & forcing for dormant_wake

Table 816.
DORMANT_WAKE_INT
S4 Register

| Bits | Description | Type | Reset |
|------|-------------------|------|-------|
| 31 | GPIO39_EDGE_HIGH | RO | 0x0 |
| 30 | GPIO39_EDGE_LOW | RO | 0x0 |
| 29 | GPIO39_LEVEL_HIGH | RO | 0x0 |
| 28 | GPIO39_LEVEL_LOW | RO | 0x0 |
| 27 | GPIO38_EDGE_HIGH | RO | 0x0 |
| 26 | GPIO38_EDGE_LOW | RO | 0x0 |
| 25 | GPIO38_LEVEL_HIGH | RO | 0x0 |
| 24 | GPIO38_LEVEL_LOW | RO | 0x0 |
| 23 | GPIO37_EDGE_HIGH | RO | 0x0 |
| 22 | GPIO37_EDGE_LOW | RO | 0x0 |
| 21 | GPIO37_LEVEL_HIGH | RO | 0x0 |
| 20 | GPIO37_LEVEL_LOW | RO | 0x0 |
| 19 | GPIO36_EDGE_HIGH | RO | 0x0 |
| 18 | GPIO36_EDGE_LOW | RO | 0x0 |
| 17 | GPIO36_LEVEL_HIGH | RO | 0x0 |
| 16 | GPIO36_LEVEL_LOW | RO | 0x0 |
| 15 | GPIO35_EDGE_HIGH | RO | 0x0 |
| 14 | GPIO35_EDGE_LOW | RO | 0x0 |
| 13 | GPIO35_LEVEL_HIGH | RO | 0x0 |
| 12 | GPIO35_LEVEL_LOW | RO | 0x0 |
| 11 | GPIO34_EDGE_HIGH | RO | 0x0 |
| 10 | GPIO34_EDGE_LOW | RO | 0x0 |
| 9 | GPIO34_LEVEL_HIGH | RO | 0x0 |
| 8 | GPIO34_LEVEL_LOW | RO | 0x0 |
| 7 | GPIO33_EDGE_HIGH | RO | 0x0 |
| 6 | GPIO33_EDGE_LOW | RO | 0x0 |
| 5 | GPIO33_LEVEL_HIGH | RO | 0x0 |
| 4 | GPIO33_LEVEL_LOW | RO | 0x0 |
| 3 | GPIO32_EDGE_HIGH | RO | 0x0 |
| 2 | GPIO32_EDGE_LOW | RO | 0x0 |
| 1 | GPIO32_LEVEL_HIGH | RO | 0x0 |
| 0 | GPIO32_LEVEL_LOW | RO | 0x0 |

IO_BANK0: DORMANT_WAKE_INTS5 Register

Offset: 0x31c

Description

Interrupt status after masking & forcing for dormant_wake

Table 817.
DORMANT_WAKE_INT
S5 Register

| Bits | Description | Type | Reset |
|------|-------------------|------|-------|
| 31 | GPIO47_EDGE_HIGH | RO | 0x0 |
| 30 | GPIO47_EDGE_LOW | RO | 0x0 |
| 29 | GPIO47_LEVEL_HIGH | RO | 0x0 |
| 28 | GPIO47_LEVEL_LOW | RO | 0x0 |
| 27 | GPIO46_EDGE_HIGH | RO | 0x0 |
| 26 | GPIO46_EDGE_LOW | RO | 0x0 |
| 25 | GPIO46_LEVEL_HIGH | RO | 0x0 |
| 24 | GPIO46_LEVEL_LOW | RO | 0x0 |
| 23 | GPIO45_EDGE_HIGH | RO | 0x0 |
| 22 | GPIO45_EDGE_LOW | RO | 0x0 |
| 21 | GPIO45_LEVEL_HIGH | RO | 0x0 |
| 20 | GPIO45_LEVEL_LOW | RO | 0x0 |
| 19 | GPIO44_EDGE_HIGH | RO | 0x0 |
| 18 | GPIO44_EDGE_LOW | RO | 0x0 |
| 17 | GPIO44_LEVEL_HIGH | RO | 0x0 |
| 16 | GPIO44_LEVEL_LOW | RO | 0x0 |
| 15 | GPIO43_EDGE_HIGH | RO | 0x0 |
| 14 | GPIO43_EDGE_LOW | RO | 0x0 |
| 13 | GPIO43_LEVEL_HIGH | RO | 0x0 |
| 12 | GPIO43_LEVEL_LOW | RO | 0x0 |
| 11 | GPIO42_EDGE_HIGH | RO | 0x0 |
| 10 | GPIO42_EDGE_LOW | RO | 0x0 |
| 9 | GPIO42_LEVEL_HIGH | RO | 0x0 |
| 8 | GPIO42_LEVEL_LOW | RO | 0x0 |
| 7 | GPIO41_EDGE_HIGH | RO | 0x0 |
| 6 | GPIO41_EDGE_LOW | RO | 0x0 |
| 5 | GPIO41_LEVEL_HIGH | RO | 0x0 |
| 4 | GPIO41_LEVEL_LOW | RO | 0x0 |
| 3 | GPIO40_EDGE_HIGH | RO | 0x0 |
| 2 | GPIO40_EDGE_LOW | RO | 0x0 |
| 1 | GPIO40_LEVEL_HIGH | RO | 0x0 |
| 0 | GPIO40_LEVEL_LOW | RO | 0x0 |

9.11.2. IO - QSPI Bank

The QSPI Bank IO registers start at a base address of `0x40030000` (defined as `IO_QSPI_BASE` in SDK).

Table 818. List of IO_QSPI registers

| Offset | Name | Info |
|--------|--------------------------------|---|
| 0x000 | USBPHY_DP_STATUS | |
| 0x004 | USBPHY_DP_CTRL | |
| 0x008 | USBPHY_DM_STATUS | |
| 0x00c | USBPHY_DM_CTRL | |
| 0x010 | GPIO_QSPI_SCLK_STATUS | |
| 0x014 | GPIO_QSPI_SCLK_CTRL | |
| 0x018 | GPIO_QSPI_SS_STATUS | |
| 0x01c | GPIO_QSPI_SS_CTRL | |
| 0x020 | GPIO_QSPI_SD0_STATUS | |
| 0x024 | GPIO_QSPI_SD0_CTRL | |
| 0x028 | GPIO_QSPI_SD1_STATUS | |
| 0x02c | GPIO_QSPI_SD1_CTRL | |
| 0x030 | GPIO_QSPI_SD2_STATUS | |
| 0x034 | GPIO_QSPI_SD2_CTRL | |
| 0x038 | GPIO_QSPI_SD3_STATUS | |
| 0x03c | GPIO_QSPI_SD3_CTRL | |
| 0x200 | IRQSUMMARY_PROC0_SECURE | |
| 0x204 | IRQSUMMARY_PROC0_NONSECURE | |
| 0x208 | IRQSUMMARY_PROC1_SECURE | |
| 0x20c | IRQSUMMARY_PROC1_NONSECURE | |
| 0x210 | IRQSUMMARY_COMA_WAKE_SECURE | |
| 0x214 | IRQSUMMARY_COMA_WAKE_NONSECURE | |
| 0x218 | INTR | Raw Interrupts |
| 0x21c | PROC0_INTE | Interrupt Enable for proc0 |
| 0x220 | PROC0_INTF | Interrupt Force for proc0 |
| 0x224 | PROC0_INTS | Interrupt status after masking & forcing for proc0 |
| 0x228 | PROC1_INTE | Interrupt Enable for proc1 |
| 0x22c | PROC1_INTF | Interrupt Force for proc1 |
| 0x230 | PROC1_INTS | Interrupt status after masking & forcing for proc1 |
| 0x234 | DORMANT_WAKE_INTE | Interrupt Enable for dormant_wake |
| 0x238 | DORMANT_WAKE_INTF | Interrupt Force for dormant_wake |
| 0x23c | DORMANT_WAKE_INTS | Interrupt status after masking & forcing for dormant_wake |

IO_QSPI: USBPHY_DP_STATUS Register

Offset: 0x000

Table 819.
USBPHY_DP_STATUS
Register

| Bits | Description | Type | Reset |
|-------|---|------|-------|
| 31:27 | Reserved. | - | - |
| 26 | IRQTOPROC : interrupt to processors, after override is applied | RO | 0x0 |
| 25:18 | Reserved. | - | - |
| 17 | INFROMPAD : input signal from pad, before filtering and override are applied | RO | 0x0 |
| 16:14 | Reserved. | - | - |
| 13 | OETOPAD : output enable to pad after register override is applied | RO | 0x0 |
| 12:10 | Reserved. | - | - |
| 9 | OUTTOPAD : output signal to pad after register override is applied | RO | 0x0 |
| 8:0 | Reserved. | - | - |

IO_QSPI: USBPHY_DP_CTRL Register

Offset: 0x004

Table 820.
USBPHY_DP_CTRL
Register

| Bits | Description | Type | Reset |
|-------|---|------|-------|
| 31:30 | Reserved. | - | - |
| 29:28 | IRQOVER | RW | 0x0 |
| | Enumerated values: | | |
| | 0x0 → NORMAL: don't invert the interrupt | | |
| | 0x1 → INVERT: invert the interrupt | | |
| | 0x2 → LOW: drive interrupt low | | |
| | 0x3 → HIGH: drive interrupt high | | |
| 27:18 | Reserved. | - | - |
| 17:16 | INOVER | RW | 0x0 |
| | Enumerated values: | | |
| | 0x0 → NORMAL: don't invert the peri input | | |
| | 0x1 → INVERT: invert the peri input | | |
| | 0x2 → LOW: drive peri input low | | |
| | 0x3 → HIGH: drive peri input high | | |
| 15:14 | OEOVER | RW | 0x0 |
| | Enumerated values: | | |
| | 0x0 → NORMAL: drive output enable from peripheral signal selected by funcsel | | |
| | 0x1 → INVERT: drive output enable from inverse of peripheral signal selected by funcsel | | |
| | 0x2 → DISABLE: disable output | | |

| Bits | Description | Type | Reset |
|-------|--|------|-------|
| | 0x3 → ENABLE: enable output | | |
| 13:12 | OUTOVER | RW | 0x0 |
| | Enumerated values: | | |
| | 0x0 → NORMAL: drive output from peripheral signal selected by funcsel | | |
| | 0x1 → INVERT: drive output from inverse of peripheral signal selected by funcsel | | |
| | 0x2 → LOW: drive output low | | |
| | 0x3 → HIGH: drive output high | | |
| 11:5 | Reserved. | - | - |
| 4:0 | FUNCSEL : 0-31 → selects pin function according to the gpio table 31 == NULL | RW | 0x1f |
| | Enumerated values: | | |
| | 0x02 → UART1_TX | | |
| | 0x03 → I2C0_SDA | | |
| | 0x05 → SIO_56 | | |
| | 0x1f → NULL | | |

IO_QSPI: USBPHY_DM_STATUS Register

Offset: 0x008

Table 821.
USBPHY_DM_STATUS
Register

| Bits | Description | Type | Reset |
|-------|---|------|-------|
| 31:27 | Reserved. | - | - |
| 26 | IRQTOPROC : interrupt to processors, after override is applied | RO | 0x0 |
| 25:18 | Reserved. | - | - |
| 17 | INFROMPAD : input signal from pad, before filtering and override are applied | RO | 0x0 |
| 16:14 | Reserved. | - | - |
| 13 | OETOPAD : output enable to pad after register override is applied | RO | 0x0 |
| 12:10 | Reserved. | - | - |
| 9 | OUTTOPAD : output signal to pad after register override is applied | RO | 0x0 |
| 8:0 | Reserved. | - | - |

IO_QSPI: USBPHY_DM_CTRL Register

Offset: 0x00c

Table 822.
USBPHY_DM_CTRL
Register

| Bits | Description | Type | Reset |
|-------|--------------------|------|-------|
| 31:30 | Reserved. | - | - |
| 29:28 | IRQOVER | RW | 0x0 |
| | Enumerated values: | | |

| Bits | Description | Type | Reset |
|-------|---|------|-------|
| | 0x0 → NORMAL: don't invert the interrupt | | |
| | 0x1 → INVERT: invert the interrupt | | |
| | 0x2 → LOW: drive interrupt low | | |
| | 0x3 → HIGH: drive interrupt high | | |
| 27:18 | Reserved. | - | - |
| 17:16 | INOVER | RW | 0x0 |
| | Enumerated values: | | |
| | 0x0 → NORMAL: don't invert the peri input | | |
| | 0x1 → INVERT: invert the peri input | | |
| | 0x2 → LOW: drive peri input low | | |
| | 0x3 → HIGH: drive peri input high | | |
| 15:14 | OEOVER | RW | 0x0 |
| | Enumerated values: | | |
| | 0x0 → NORMAL: drive output enable from peripheral signal selected by funcsel | | |
| | 0x1 → INVERT: drive output enable from inverse of peripheral signal selected by funcsel | | |
| | 0x2 → DISABLE: disable output | | |
| | 0x3 → ENABLE: enable output | | |
| 13:12 | OUTOVER | RW | 0x0 |
| | Enumerated values: | | |
| | 0x0 → NORMAL: drive output from peripheral signal selected by funcsel | | |
| | 0x1 → INVERT: drive output from inverse of peripheral signal selected by funcsel | | |
| | 0x2 → LOW: drive output low | | |
| | 0x3 → HIGH: drive output high | | |
| 11:5 | Reserved. | - | - |
| 4:0 | FUNCSEL : 0-31 → selects pin function according to the gpio table 31 == NULL | RW | 0x1f |
| | Enumerated values: | | |
| | 0x02 → UART1_RX | | |
| | 0x03 → I2C0_SCL | | |
| | 0x05 → SIO_57 | | |
| | 0x1f → NULL | | |

IO_QSPI: GPIO_QSPI_SCLK_STATUS Register

Offset: 0x010

Table 823.
GPIO_QSPI_SCLK_STA
TUS Register

| Bits | Description | Type | Reset |
|-------|---|------|-------|
| 31:27 | Reserved. | - | - |
| 26 | IRQTOPROC : interrupt to processors, after override is applied | RO | 0x0 |
| 25:18 | Reserved. | - | - |
| 17 | INFROMPAD : input signal from pad, before filtering and override are applied | RO | 0x0 |
| 16:14 | Reserved. | - | - |
| 13 | OETOPAD : output enable to pad after register override is applied | RO | 0x0 |
| 12:10 | Reserved. | - | - |
| 9 | OUTTOPAD : output signal to pad after register override is applied | RO | 0x0 |
| 8:0 | Reserved. | - | - |

IO_QSPI: GPIO_QSPI_SCLK_CTRL Register

Offset: 0x014

Table 824.
GPIO_QSPI_SCLK_CTRL
Register

| Bits | Description | Type | Reset |
|-------|---|------|-------|
| 31:30 | Reserved. | - | - |
| 29:28 | IRQOVER | RW | 0x0 |
| | Enumerated values: | | |
| | 0x0 → NORMAL: don't invert the interrupt | | |
| | 0x1 → INVERT: invert the interrupt | | |
| | 0x2 → LOW: drive interrupt low | | |
| | 0x3 → HIGH: drive interrupt high | | |
| 27:18 | Reserved. | - | - |
| 17:16 | INOVER | RW | 0x0 |
| | Enumerated values: | | |
| | 0x0 → NORMAL: don't invert the peri input | | |
| | 0x1 → INVERT: invert the peri input | | |
| | 0x2 → LOW: drive peri input low | | |
| | 0x3 → HIGH: drive peri input high | | |
| 15:14 | OEOVER | RW | 0x0 |
| | Enumerated values: | | |
| | 0x0 → NORMAL: drive output enable from peripheral signal selected by funcsel | | |
| | 0x1 → INVERT: drive output enable from inverse of peripheral signal selected by funcsel | | |
| | 0x2 → DISABLE: disable output | | |
| | 0x3 → ENABLE: enable output | | |
| 13:12 | OUTOVER | RW | 0x0 |

| Bits | Description | Type | Reset |
|------|--|------|-------|
| | Enumerated values: | | |
| | 0x0 → NORMAL: drive output from peripheral signal selected by funcsel | | |
| | 0x1 → INVERT: drive output from inverse of peripheral signal selected by funcsel | | |
| | 0x2 → LOW: drive output low | | |
| | 0x3 → HIGH: drive output high | | |
| 11:5 | Reserved. | - | - |
| 4:0 | FUNCSEL : 0-31 → selects pin function according to the gpio table 31 == NULL | RW | 0x1f |
| | Enumerated values: | | |
| | 0x00 → XIP_SCLK | | |
| | 0x02 → UART1_CTS | | |
| | 0x03 → I2C1_SDA | | |
| | 0x05 → SIO_58 | | |
| | 0x0b → UART1_TX | | |
| | 0x1f → NULL | | |

IO_QSPI: GPIO_QSPI_SS_STATUS Register

Offset: 0x018

Table 825.
GPIO_QSPI_SS_STATUS Register

| Bits | Description | Type | Reset |
|-------|---|------|-------|
| 31:27 | Reserved. | - | - |
| 26 | IRQTOPROC : interrupt to processors, after override is applied | RO | 0x0 |
| 25:18 | Reserved. | - | - |
| 17 | INFROMPAD : input signal from pad, before filtering and override are applied | RO | 0x0 |
| 16:14 | Reserved. | - | - |
| 13 | OETOPAD : output enable to pad after register override is applied | RO | 0x0 |
| 12:10 | Reserved. | - | - |
| 9 | OUTTOPAD : output signal to pad after register override is applied | RO | 0x0 |
| 8:0 | Reserved. | - | - |

IO_QSPI: GPIO_QSPI_SS_CTRL Register

Offset: 0x01c

Table 826.
GPIO_QSPI_SS_CTRL Register

| Bits | Description | Type | Reset |
|-------|--------------------|------|-------|
| 31:30 | Reserved. | - | - |
| 29:28 | IRQOVER | RW | 0x0 |
| | Enumerated values: | | |

| Bits | Description | Type | Reset |
|-------|---|------|-------|
| | 0x0 → NORMAL: don't invert the interrupt | | |
| | 0x1 → INVERT: invert the interrupt | | |
| | 0x2 → LOW: drive interrupt low | | |
| | 0x3 → HIGH: drive interrupt high | | |
| 27:18 | Reserved. | - | - |
| 17:16 | INOVER | RW | 0x0 |
| | Enumerated values: | | |
| | 0x0 → NORMAL: don't invert the peri input | | |
| | 0x1 → INVERT: invert the peri input | | |
| | 0x2 → LOW: drive peri input low | | |
| | 0x3 → HIGH: drive peri input high | | |
| 15:14 | OEOVER | RW | 0x0 |
| | Enumerated values: | | |
| | 0x0 → NORMAL: drive output enable from peripheral signal selected by funcsel | | |
| | 0x1 → INVERT: drive output enable from inverse of peripheral signal selected by funcsel | | |
| | 0x2 → DISABLE: disable output | | |
| | 0x3 → ENABLE: enable output | | |
| 13:12 | OUTOVER | RW | 0x0 |
| | Enumerated values: | | |
| | 0x0 → NORMAL: drive output from peripheral signal selected by funcsel | | |
| | 0x1 → INVERT: drive output from inverse of peripheral signal selected by funcsel | | |
| | 0x2 → LOW: drive output low | | |
| | 0x3 → HIGH: drive output high | | |
| 11:5 | Reserved. | - | - |
| 4:0 | FUNCSEL : 0-31 → selects pin function according to the gpio table 31 == NULL | RW | 0x1f |
| | Enumerated values: | | |
| | 0x00 → XIP_SS_N_0 | | |
| | 0x02 → UART1_RTS | | |
| | 0x03 → I2C1_SCL | | |
| | 0x05 → SIO_59 | | |
| | 0x0b → UART1_RX | | |
| | 0x1f → NULL | | |

IO_QSPI: GPIO_QSPI_SD0_STATUS Register

Offset: 0x020

Table 827.
GPIO_QSPI_SD0_STAT
US Register

| Bits | Description | Type | Reset |
|-------|---|------|-------|
| 31:27 | Reserved. | - | - |
| 26 | IRQTOPROC : interrupt to processors, after override is applied | RO | 0x0 |
| 25:18 | Reserved. | - | - |
| 17 | INFROMPAD : input signal from pad, before filtering and override are applied | RO | 0x0 |
| 16:14 | Reserved. | - | - |
| 13 | OETOPAD : output enable to pad after register override is applied | RO | 0x0 |
| 12:10 | Reserved. | - | - |
| 9 | OUTTOPAD : output signal to pad after register override is applied | RO | 0x0 |
| 8:0 | Reserved. | - | - |

IO_QSPI: GPIO_QSPI_SD0_CTRL Register

Offset: 0x024

Table 828.
GPIO_QSPI_SD0_CTRL
Register

| Bits | Description | Type | Reset |
|-------|---|------|-------|
| 31:30 | Reserved. | - | - |
| 29:28 | IRQOVER | RW | 0x0 |
| | Enumerated values: | | |
| | 0x0 → NORMAL: don't invert the interrupt | | |
| | 0x1 → INVERT: invert the interrupt | | |
| | 0x2 → LOW: drive interrupt low | | |
| | 0x3 → HIGH: drive interrupt high | | |
| 27:18 | Reserved. | - | - |
| 17:16 | INOVER | RW | 0x0 |
| | Enumerated values: | | |
| | 0x0 → NORMAL: don't invert the peri input | | |
| | 0x1 → INVERT: invert the peri input | | |
| | 0x2 → LOW: drive peri input low | | |
| | 0x3 → HIGH: drive peri input high | | |
| 15:14 | OEOVER | RW | 0x0 |
| | Enumerated values: | | |
| | 0x0 → NORMAL: drive output enable from peripheral signal selected by funcsel | | |
| | 0x1 → INVERT: drive output enable from inverse of peripheral signal selected by funcsel | | |
| | 0x2 → DISABLE: disable output | | |
| | 0x3 → ENABLE: enable output | | |

| Bits | Description | Type | Reset |
|-------|--|------|-------|
| 13:12 | OUTOVER | RW | 0x0 |
| | Enumerated values: | | |
| | 0x0 → NORMAL: drive output from peripheral signal selected by funcsel | | |
| | 0x1 → INVERT: drive output from inverse of peripheral signal selected by funcsel | | |
| | 0x2 → LOW: drive output low | | |
| | 0x3 → HIGH: drive output high | | |
| 11:5 | Reserved. | - | - |
| 4:0 | FUNCSEL : 0-31 → selects pin function according to the gpio table 31 == NULL | RW | 0x1f |
| | Enumerated values: | | |
| | 0x00 → XIP_SD0 | | |
| | 0x02 → UART0_TX | | |
| | 0x03 → I2C0_SDA | | |
| | 0x05 → SIO_60 | | |
| | 0x1f → NULL | | |

IO_QSPI: GPIO_QSPI_SD1_STATUS Register

Offset: 0x028

Table 829.
GPIO_QSPI_SD1_STAT
US Register

| Bits | Description | Type | Reset |
|-------|---|------|-------|
| 31:27 | Reserved. | - | - |
| 26 | IRQTOPROC : interrupt to processors, after override is applied | RO | 0x0 |
| 25:18 | Reserved. | - | - |
| 17 | INFROMPAD : input signal from pad, before filtering and override are applied | RO | 0x0 |
| 16:14 | Reserved. | - | - |
| 13 | OETOPAD : output enable to pad after register override is applied | RO | 0x0 |
| 12:10 | Reserved. | - | - |
| 9 | OUTTOPAD : output signal to pad after register override is applied | RO | 0x0 |
| 8:0 | Reserved. | - | - |

IO_QSPI: GPIO_QSPI_SD1_CTRL Register

Offset: 0x02c

Table 830.
GPIO_QSPI_SD1_CTRL
Register

| Bits | Description | Type | Reset |
|-------|--------------------|------|-------|
| 31:30 | Reserved. | - | - |
| 29:28 | IRQOVER | RW | 0x0 |
| | Enumerated values: | | |

| Bits | Description | Type | Reset |
|-------|---|------|-------|
| | 0x0 → NORMAL: don't invert the interrupt | | |
| | 0x1 → INVERT: invert the interrupt | | |
| | 0x2 → LOW: drive interrupt low | | |
| | 0x3 → HIGH: drive interrupt high | | |
| 27:18 | Reserved. | - | - |
| 17:16 | INOVER | RW | 0x0 |
| | Enumerated values: | | |
| | 0x0 → NORMAL: don't invert the peri input | | |
| | 0x1 → INVERT: invert the peri input | | |
| | 0x2 → LOW: drive peri input low | | |
| | 0x3 → HIGH: drive peri input high | | |
| 15:14 | OEOVER | RW | 0x0 |
| | Enumerated values: | | |
| | 0x0 → NORMAL: drive output enable from peripheral signal selected by funcsel | | |
| | 0x1 → INVERT: drive output enable from inverse of peripheral signal selected by funcsel | | |
| | 0x2 → DISABLE: disable output | | |
| | 0x3 → ENABLE: enable output | | |
| 13:12 | OUTOVER | RW | 0x0 |
| | Enumerated values: | | |
| | 0x0 → NORMAL: drive output from peripheral signal selected by funcsel | | |
| | 0x1 → INVERT: drive output from inverse of peripheral signal selected by funcsel | | |
| | 0x2 → LOW: drive output low | | |
| | 0x3 → HIGH: drive output high | | |
| 11:5 | Reserved. | - | - |
| 4:0 | FUNCSEL : 0-31 → selects pin function according to the gpio table 31 == NULL | RW | 0x1f |
| | Enumerated values: | | |
| | 0x00 → XIP_SD1 | | |
| | 0x02 → UART0_RX | | |
| | 0x03 → I2C0_SCL | | |
| | 0x05 → SIO_61 | | |
| | 0x1f → NULL | | |

IO_QSPI: GPIO_QSPI_SD2_STATUS Register

Offset: 0x030

Table 831.
GPIO_QSPI_SD2_STAT
US Register

| Bits | Description | Type | Reset |
|-------|---|------|-------|
| 31:27 | Reserved. | - | - |
| 26 | IRQTOPROC : interrupt to processors, after override is applied | RO | 0x0 |
| 25:18 | Reserved. | - | - |
| 17 | INFROMPAD : input signal from pad, before filtering and override are applied | RO | 0x0 |
| 16:14 | Reserved. | - | - |
| 13 | OETOPAD : output enable to pad after register override is applied | RO | 0x0 |
| 12:10 | Reserved. | - | - |
| 9 | OUTTOPAD : output signal to pad after register override is applied | RO | 0x0 |
| 8:0 | Reserved. | - | - |

IO_QSPI: GPIO_QSPI_SD2_CTRL Register

Offset: 0x034

Table 832.
GPIO_QSPI_SD2_CTRL
Register

| Bits | Description | Type | Reset |
|-------|---|------|-------|
| 31:30 | Reserved. | - | - |
| 29:28 | IRQOVER | RW | 0x0 |
| | Enumerated values: | | |
| | 0x0 → NORMAL: don't invert the interrupt | | |
| | 0x1 → INVERT: invert the interrupt | | |
| | 0x2 → LOW: drive interrupt low | | |
| | 0x3 → HIGH: drive interrupt high | | |
| 27:18 | Reserved. | - | - |
| 17:16 | INOVER | RW | 0x0 |
| | Enumerated values: | | |
| | 0x0 → NORMAL: don't invert the peri input | | |
| | 0x1 → INVERT: invert the peri input | | |
| | 0x2 → LOW: drive peri input low | | |
| | 0x3 → HIGH: drive peri input high | | |
| 15:14 | OEOVER | RW | 0x0 |
| | Enumerated values: | | |
| | 0x0 → NORMAL: drive output enable from peripheral signal selected by funcsel | | |
| | 0x1 → INVERT: drive output enable from inverse of peripheral signal selected by funcsel | | |
| | 0x2 → DISABLE: disable output | | |
| | 0x3 → ENABLE: enable output | | |
| 13:12 | OUTOVER | RW | 0x0 |

| Bits | Description | Type | Reset |
|------|--|------|-------|
| | Enumerated values: | | |
| | 0x0 → NORMAL: drive output from peripheral signal selected by funcsel | | |
| | 0x1 → INVERT: drive output from inverse of peripheral signal selected by funcsel | | |
| | 0x2 → LOW: drive output low | | |
| | 0x3 → HIGH: drive output high | | |
| 11:5 | Reserved. | - | - |
| 4:0 | FUNCSEL : 0-31 → selects pin function according to the gpio table 31 == NULL | RW | 0x1f |
| | Enumerated values: | | |
| | 0x00 → XIP_SD2 | | |
| | 0x02 → UART0_CTS | | |
| | 0x03 → I2C1_SDA | | |
| | 0x05 → SIO_62 | | |
| | 0x0b → UART0_TX | | |
| | 0x1f → NULL | | |

IO_QSPI: GPIO_QSPI_SD3_STATUS Register

Offset: 0x038

Table 833.
GPIO_QSPI_SD3_STAT
US Register

| Bits | Description | Type | Reset |
|-------|---|------|-------|
| 31:27 | Reserved. | - | - |
| 26 | IRQTOPROC : interrupt to processors, after override is applied | RO | 0x0 |
| 25:18 | Reserved. | - | - |
| 17 | INFROMPAD : input signal from pad, before filtering and override are applied | RO | 0x0 |
| 16:14 | Reserved. | - | - |
| 13 | OETOPAD : output enable to pad after register override is applied | RO | 0x0 |
| 12:10 | Reserved. | - | - |
| 9 | OUTTOPAD : output signal to pad after register override is applied | RO | 0x0 |
| 8:0 | Reserved. | - | - |

IO_QSPI: GPIO_QSPI_SD3_CTRL Register

Offset: 0x03c

Table 834.
GPIO_QSPI_SD3_CTRL
Register

| Bits | Description | Type | Reset |
|-------|--------------------|------|-------|
| 31:30 | Reserved. | - | - |
| 29:28 | IRQOVER | RW | 0x0 |
| | Enumerated values: | | |

| Bits | Description | Type | Reset |
|-------|---|------|-------|
| | 0x0 → NORMAL: don't invert the interrupt | | |
| | 0x1 → INVERT: invert the interrupt | | |
| | 0x2 → LOW: drive interrupt low | | |
| | 0x3 → HIGH: drive interrupt high | | |
| 27:18 | Reserved. | - | - |
| 17:16 | INOVER | RW | 0x0 |
| | Enumerated values: | | |
| | 0x0 → NORMAL: don't invert the peri input | | |
| | 0x1 → INVERT: invert the peri input | | |
| | 0x2 → LOW: drive peri input low | | |
| | 0x3 → HIGH: drive peri input high | | |
| 15:14 | OEOVER | RW | 0x0 |
| | Enumerated values: | | |
| | 0x0 → NORMAL: drive output enable from peripheral signal selected by funcsel | | |
| | 0x1 → INVERT: drive output enable from inverse of peripheral signal selected by funcsel | | |
| | 0x2 → DISABLE: disable output | | |
| | 0x3 → ENABLE: enable output | | |
| 13:12 | OUTOVER | RW | 0x0 |
| | Enumerated values: | | |
| | 0x0 → NORMAL: drive output from peripheral signal selected by funcsel | | |
| | 0x1 → INVERT: drive output from inverse of peripheral signal selected by funcsel | | |
| | 0x2 → LOW: drive output low | | |
| | 0x3 → HIGH: drive output high | | |
| 11:5 | Reserved. | - | - |
| 4:0 | FUNCSEL : 0-31 → selects pin function according to the gpio table 31 == NULL | RW | 0x1f |
| | Enumerated values: | | |
| | 0x00 → XIP_SD3 | | |
| | 0x02 → UART0_RTS | | |
| | 0x03 → I2C1_SCL | | |
| | 0x05 → SIO_63 | | |
| | 0x0b → UART0_RX | | |
| | 0x1f → NULL | | |

IO_QSPI: IRQSUMMARY_PROC0_SECURE Register

Offset: 0x200

Table 835.
IRQSUMMARY_PROC0
_SECURE Register

| Bits | Description | Type | Reset |
|------|----------------|------|-------|
| 31:8 | Reserved. | - | - |
| 7 | GPIO_QSPI_SD3 | RO | 0x0 |
| 6 | GPIO_QSPI_SD2 | RO | 0x0 |
| 5 | GPIO_QSPI_SD1 | RO | 0x0 |
| 4 | GPIO_QSPI_SD0 | RO | 0x0 |
| 3 | GPIO_QSPI_SS | RO | 0x0 |
| 2 | GPIO_QSPI_SCLK | RO | 0x0 |
| 1 | USBPHY_DM | RO | 0x0 |
| 0 | USBPHY_DP | RO | 0x0 |

IO_QSPI: IRQSUMMARY_PROC0_NONSECURE Register

Offset: 0x204

Table 836.
IRQSUMMARY_PROC0
_NONSECURE Register

| Bits | Description | Type | Reset |
|------|----------------|------|-------|
| 31:8 | Reserved. | - | - |
| 7 | GPIO_QSPI_SD3 | RO | 0x0 |
| 6 | GPIO_QSPI_SD2 | RO | 0x0 |
| 5 | GPIO_QSPI_SD1 | RO | 0x0 |
| 4 | GPIO_QSPI_SD0 | RO | 0x0 |
| 3 | GPIO_QSPI_SS | RO | 0x0 |
| 2 | GPIO_QSPI_SCLK | RO | 0x0 |
| 1 | USBPHY_DM | RO | 0x0 |
| 0 | USBPHY_DP | RO | 0x0 |

IO_QSPI: IRQSUMMARY_PROC1_SECURE Register

Offset: 0x208

Table 837.
IRQSUMMARY_PROC1
_SECURE Register

| Bits | Description | Type | Reset |
|------|----------------|------|-------|
| 31:8 | Reserved. | - | - |
| 7 | GPIO_QSPI_SD3 | RO | 0x0 |
| 6 | GPIO_QSPI_SD2 | RO | 0x0 |
| 5 | GPIO_QSPI_SD1 | RO | 0x0 |
| 4 | GPIO_QSPI_SD0 | RO | 0x0 |
| 3 | GPIO_QSPI_SS | RO | 0x0 |
| 2 | GPIO_QSPI_SCLK | RO | 0x0 |
| 1 | USBPHY_DM | RO | 0x0 |
| 0 | USBPHY_DP | RO | 0x0 |

IO_QSPI: IRQSUMMARY_PROC1_NONSECURE Register

Offset: 0x20c

Table 838.
IRQSUMMARY_PROC1_NONSECURE Register

| Bits | Description | Type | Reset |
|------|----------------|------|-------|
| 31:8 | Reserved. | - | - |
| 7 | GPIO_QSPI_SD3 | RO | 0x0 |
| 6 | GPIO_QSPI_SD2 | RO | 0x0 |
| 5 | GPIO_QSPI_SD1 | RO | 0x0 |
| 4 | GPIO_QSPI_SD0 | RO | 0x0 |
| 3 | GPIO_QSPI_SS | RO | 0x0 |
| 2 | GPIO_QSPI_SCLK | RO | 0x0 |
| 1 | USBPHY_DM | RO | 0x0 |
| 0 | USBPHY_DP | RO | 0x0 |

IO_QSPI: IRQSUMMARY_COMA_WAKE_SECURE Register

Offset: 0x210

Table 839.
IRQSUMMARY_COMA_WAKE_SECURE Register

| Bits | Description | Type | Reset |
|------|----------------|------|-------|
| 31:8 | Reserved. | - | - |
| 7 | GPIO_QSPI_SD3 | RO | 0x0 |
| 6 | GPIO_QSPI_SD2 | RO | 0x0 |
| 5 | GPIO_QSPI_SD1 | RO | 0x0 |
| 4 | GPIO_QSPI_SD0 | RO | 0x0 |
| 3 | GPIO_QSPI_SS | RO | 0x0 |
| 2 | GPIO_QSPI_SCLK | RO | 0x0 |
| 1 | USBPHY_DM | RO | 0x0 |
| 0 | USBPHY_DP | RO | 0x0 |

IO_QSPI: IRQSUMMARY_COMA_WAKE_NONSECURE Register

Offset: 0x214

Table 840.
IRQSUMMARY_COMA_WAKE_NONSECURE Register

| Bits | Description | Type | Reset |
|------|----------------|------|-------|
| 31:8 | Reserved. | - | - |
| 7 | GPIO_QSPI_SD3 | RO | 0x0 |
| 6 | GPIO_QSPI_SD2 | RO | 0x0 |
| 5 | GPIO_QSPI_SD1 | RO | 0x0 |
| 4 | GPIO_QSPI_SD0 | RO | 0x0 |
| 3 | GPIO_QSPI_SS | RO | 0x0 |
| 2 | GPIO_QSPI_SCLK | RO | 0x0 |
| 1 | USBPHY_DM | RO | 0x0 |

| Bits | Description | Type | Reset |
|------|-------------|------|-------|
| 0 | USBPHY_DP | RO | 0x0 |

IO_QSPI: INTR Register

Offset: 0x218

Description

Raw Interrupts

Table 841. INTR Register

| Bits | Description | Type | Reset |
|------|---------------------------|------|-------|
| 31 | GPIO_QSPI_SD3_EDGE_HIGH | WC | 0x0 |
| 30 | GPIO_QSPI_SD3_EDGE_LOW | WC | 0x0 |
| 29 | GPIO_QSPI_SD3_LEVEL_HIGH | RO | 0x0 |
| 28 | GPIO_QSPI_SD3_LEVEL_LOW | RO | 0x0 |
| 27 | GPIO_QSPI_SD2_EDGE_HIGH | WC | 0x0 |
| 26 | GPIO_QSPI_SD2_EDGE_LOW | WC | 0x0 |
| 25 | GPIO_QSPI_SD2_LEVEL_HIGH | RO | 0x0 |
| 24 | GPIO_QSPI_SD2_LEVEL_LOW | RO | 0x0 |
| 23 | GPIO_QSPI_SD1_EDGE_HIGH | WC | 0x0 |
| 22 | GPIO_QSPI_SD1_EDGE_LOW | WC | 0x0 |
| 21 | GPIO_QSPI_SD1_LEVEL_HIGH | RO | 0x0 |
| 20 | GPIO_QSPI_SD1_LEVEL_LOW | RO | 0x0 |
| 19 | GPIO_QSPI_SD0_EDGE_HIGH | WC | 0x0 |
| 18 | GPIO_QSPI_SD0_EDGE_LOW | WC | 0x0 |
| 17 | GPIO_QSPI_SD0_LEVEL_HIGH | RO | 0x0 |
| 16 | GPIO_QSPI_SD0_LEVEL_LOW | RO | 0x0 |
| 15 | GPIO_QSPI_SS_EDGE_HIGH | WC | 0x0 |
| 14 | GPIO_QSPI_SS_EDGE_LOW | WC | 0x0 |
| 13 | GPIO_QSPI_SS_LEVEL_HIGH | RO | 0x0 |
| 12 | GPIO_QSPI_SS_LEVEL_LOW | RO | 0x0 |
| 11 | GPIO_QSPI_SCLK_EDGE_HIGH | WC | 0x0 |
| 10 | GPIO_QSPI_SCLK_EDGE_LOW | WC | 0x0 |
| 9 | GPIO_QSPI_SCLK_LEVEL_HIGH | RO | 0x0 |
| 8 | GPIO_QSPI_SCLK_LEVEL_LOW | RO | 0x0 |
| 7 | USBPHY_DM_EDGE_HIGH | WC | 0x0 |
| 6 | USBPHY_DM_EDGE_LOW | WC | 0x0 |
| 5 | USBPHY_DM_LEVEL_HIGH | RO | 0x0 |
| 4 | USBPHY_DM_LEVEL_LOW | RO | 0x0 |
| 3 | USBPHY_DP_EDGE_HIGH | WC | 0x0 |

| Bits | Description | Type | Reset |
|------|----------------------|------|-------|
| 2 | USBPHY_DP_EDGE_LOW | WC | 0x0 |
| 1 | USBPHY_DP_LEVEL_HIGH | RO | 0x0 |
| 0 | USBPHY_DP_LEVEL_LOW | RO | 0x0 |

IO_QSPI: PROC0_INTE Register

Offset: 0x21c

Description

Interrupt Enable for proc0

Table 842.
PROC0_INTE Register

| Bits | Description | Type | Reset |
|------|---------------------------|------|-------|
| 31 | GPIO_QSPI_SD3_EDGE_HIGH | RW | 0x0 |
| 30 | GPIO_QSPI_SD3_EDGE_LOW | RW | 0x0 |
| 29 | GPIO_QSPI_SD3_LEVEL_HIGH | RW | 0x0 |
| 28 | GPIO_QSPI_SD3_LEVEL_LOW | RW | 0x0 |
| 27 | GPIO_QSPI_SD2_EDGE_HIGH | RW | 0x0 |
| 26 | GPIO_QSPI_SD2_EDGE_LOW | RW | 0x0 |
| 25 | GPIO_QSPI_SD2_LEVEL_HIGH | RW | 0x0 |
| 24 | GPIO_QSPI_SD2_LEVEL_LOW | RW | 0x0 |
| 23 | GPIO_QSPI_SD1_EDGE_HIGH | RW | 0x0 |
| 22 | GPIO_QSPI_SD1_EDGE_LOW | RW | 0x0 |
| 21 | GPIO_QSPI_SD1_LEVEL_HIGH | RW | 0x0 |
| 20 | GPIO_QSPI_SD1_LEVEL_LOW | RW | 0x0 |
| 19 | GPIO_QSPI_SD0_EDGE_HIGH | RW | 0x0 |
| 18 | GPIO_QSPI_SD0_EDGE_LOW | RW | 0x0 |
| 17 | GPIO_QSPI_SD0_LEVEL_HIGH | RW | 0x0 |
| 16 | GPIO_QSPI_SD0_LEVEL_LOW | RW | 0x0 |
| 15 | GPIO_QSPI_SS_EDGE_HIGH | RW | 0x0 |
| 14 | GPIO_QSPI_SS_EDGE_LOW | RW | 0x0 |
| 13 | GPIO_QSPI_SS_LEVEL_HIGH | RW | 0x0 |
| 12 | GPIO_QSPI_SS_LEVEL_LOW | RW | 0x0 |
| 11 | GPIO_QSPI_SCLK_EDGE_HIGH | RW | 0x0 |
| 10 | GPIO_QSPI_SCLK_EDGE_LOW | RW | 0x0 |
| 9 | GPIO_QSPI_SCLK_LEVEL_HIGH | RW | 0x0 |
| 8 | GPIO_QSPI_SCLK_LEVEL_LOW | RW | 0x0 |
| 7 | USBPHY_DM_EDGE_HIGH | RW | 0x0 |
| 6 | USBPHY_DM_EDGE_LOW | RW | 0x0 |
| 5 | USBPHY_DM_LEVEL_HIGH | RW | 0x0 |

| Bits | Description | Type | Reset |
|------|----------------------|------|-------|
| 4 | USBPHY_DM_LEVEL_LOW | RW | 0x0 |
| 3 | USBPHY_DP_EDGE_HIGH | RW | 0x0 |
| 2 | USBPHY_DP_EDGE_LOW | RW | 0x0 |
| 1 | USBPHY_DP_LEVEL_HIGH | RW | 0x0 |
| 0 | USBPHY_DP_LEVEL_LOW | RW | 0x0 |

IO_QSPI: PROC0_INTF Register

Offset: 0x220

Description

Interrupt Force for proc0

Table 843.
PROC0_INTF Register

| Bits | Description | Type | Reset |
|------|---------------------------|------|-------|
| 31 | GPIO_QSPI_SD3_EDGE_HIGH | RW | 0x0 |
| 30 | GPIO_QSPI_SD3_EDGE_LOW | RW | 0x0 |
| 29 | GPIO_QSPI_SD3_LEVEL_HIGH | RW | 0x0 |
| 28 | GPIO_QSPI_SD3_LEVEL_LOW | RW | 0x0 |
| 27 | GPIO_QSPI_SD2_EDGE_HIGH | RW | 0x0 |
| 26 | GPIO_QSPI_SD2_EDGE_LOW | RW | 0x0 |
| 25 | GPIO_QSPI_SD2_LEVEL_HIGH | RW | 0x0 |
| 24 | GPIO_QSPI_SD2_LEVEL_LOW | RW | 0x0 |
| 23 | GPIO_QSPI_SD1_EDGE_HIGH | RW | 0x0 |
| 22 | GPIO_QSPI_SD1_EDGE_LOW | RW | 0x0 |
| 21 | GPIO_QSPI_SD1_LEVEL_HIGH | RW | 0x0 |
| 20 | GPIO_QSPI_SD1_LEVEL_LOW | RW | 0x0 |
| 19 | GPIO_QSPI_SD0_EDGE_HIGH | RW | 0x0 |
| 18 | GPIO_QSPI_SD0_EDGE_LOW | RW | 0x0 |
| 17 | GPIO_QSPI_SD0_LEVEL_HIGH | RW | 0x0 |
| 16 | GPIO_QSPI_SD0_LEVEL_LOW | RW | 0x0 |
| 15 | GPIO_QSPI_SS_EDGE_HIGH | RW | 0x0 |
| 14 | GPIO_QSPI_SS_EDGE_LOW | RW | 0x0 |
| 13 | GPIO_QSPI_SS_LEVEL_HIGH | RW | 0x0 |
| 12 | GPIO_QSPI_SS_LEVEL_LOW | RW | 0x0 |
| 11 | GPIO_QSPI_SCLK_EDGE_HIGH | RW | 0x0 |
| 10 | GPIO_QSPI_SCLK_EDGE_LOW | RW | 0x0 |
| 9 | GPIO_QSPI_SCLK_LEVEL_HIGH | RW | 0x0 |
| 8 | GPIO_QSPI_SCLK_LEVEL_LOW | RW | 0x0 |
| 7 | USBPHY_DM_EDGE_HIGH | RW | 0x0 |

| Bits | Description | Type | Reset |
|------|----------------------|------|-------|
| 6 | USBPHY_DM_EDGE_LOW | RW | 0x0 |
| 5 | USBPHY_DM_LEVEL_HIGH | RW | 0x0 |
| 4 | USBPHY_DM_LEVEL_LOW | RW | 0x0 |
| 3 | USBPHY_DP_EDGE_HIGH | RW | 0x0 |
| 2 | USBPHY_DP_EDGE_LOW | RW | 0x0 |
| 1 | USBPHY_DP_LEVEL_HIGH | RW | 0x0 |
| 0 | USBPHY_DP_LEVEL_LOW | RW | 0x0 |

IO_QSPI: PROC0_INTS Register

Offset: 0x224

Description

Interrupt status after masking & forcing for proc0

Table 844.
PROC0_INTS Register

| Bits | Description | Type | Reset |
|------|---------------------------|------|-------|
| 31 | GPIO_QSPI_SD3_EDGE_HIGH | RO | 0x0 |
| 30 | GPIO_QSPI_SD3_EDGE_LOW | RO | 0x0 |
| 29 | GPIO_QSPI_SD3_LEVEL_HIGH | RO | 0x0 |
| 28 | GPIO_QSPI_SD3_LEVEL_LOW | RO | 0x0 |
| 27 | GPIO_QSPI_SD2_EDGE_HIGH | RO | 0x0 |
| 26 | GPIO_QSPI_SD2_EDGE_LOW | RO | 0x0 |
| 25 | GPIO_QSPI_SD2_LEVEL_HIGH | RO | 0x0 |
| 24 | GPIO_QSPI_SD2_LEVEL_LOW | RO | 0x0 |
| 23 | GPIO_QSPI_SD1_EDGE_HIGH | RO | 0x0 |
| 22 | GPIO_QSPI_SD1_EDGE_LOW | RO | 0x0 |
| 21 | GPIO_QSPI_SD1_LEVEL_HIGH | RO | 0x0 |
| 20 | GPIO_QSPI_SD1_LEVEL_LOW | RO | 0x0 |
| 19 | GPIO_QSPI_SD0_EDGE_HIGH | RO | 0x0 |
| 18 | GPIO_QSPI_SD0_EDGE_LOW | RO | 0x0 |
| 17 | GPIO_QSPI_SD0_LEVEL_HIGH | RO | 0x0 |
| 16 | GPIO_QSPI_SD0_LEVEL_LOW | RO | 0x0 |
| 15 | GPIO_QSPI_SS_EDGE_HIGH | RO | 0x0 |
| 14 | GPIO_QSPI_SS_EDGE_LOW | RO | 0x0 |
| 13 | GPIO_QSPI_SS_LEVEL_HIGH | RO | 0x0 |
| 12 | GPIO_QSPI_SS_LEVEL_LOW | RO | 0x0 |
| 11 | GPIO_QSPI_SCLK_EDGE_HIGH | RO | 0x0 |
| 10 | GPIO_QSPI_SCLK_EDGE_LOW | RO | 0x0 |
| 9 | GPIO_QSPI_SCLK_LEVEL_HIGH | RO | 0x0 |

| Bits | Description | Type | Reset |
|------|--------------------------|------|-------|
| 8 | GPIO_QSPI_SCLK_LEVEL_LOW | RO | 0x0 |
| 7 | USBPHY_DM_EDGE_HIGH | RO | 0x0 |
| 6 | USBPHY_DM_EDGE_LOW | RO | 0x0 |
| 5 | USBPHY_DM_LEVEL_HIGH | RO | 0x0 |
| 4 | USBPHY_DM_LEVEL_LOW | RO | 0x0 |
| 3 | USBPHY_DP_EDGE_HIGH | RO | 0x0 |
| 2 | USBPHY_DP_EDGE_LOW | RO | 0x0 |
| 1 | USBPHY_DP_LEVEL_HIGH | RO | 0x0 |
| 0 | USBPHY_DP_LEVEL_LOW | RO | 0x0 |

IO_QSPI: PROC1_INTE Register

Offset: 0x228

Description

Interrupt Enable for proc1

Table 845.
PROC1_INTE Register

| Bits | Description | Type | Reset |
|------|--------------------------|------|-------|
| 31 | GPIO_QSPI_SD3_EDGE_HIGH | RW | 0x0 |
| 30 | GPIO_QSPI_SD3_EDGE_LOW | RW | 0x0 |
| 29 | GPIO_QSPI_SD3_LEVEL_HIGH | RW | 0x0 |
| 28 | GPIO_QSPI_SD3_LEVEL_LOW | RW | 0x0 |
| 27 | GPIO_QSPI_SD2_EDGE_HIGH | RW | 0x0 |
| 26 | GPIO_QSPI_SD2_EDGE_LOW | RW | 0x0 |
| 25 | GPIO_QSPI_SD2_LEVEL_HIGH | RW | 0x0 |
| 24 | GPIO_QSPI_SD2_LEVEL_LOW | RW | 0x0 |
| 23 | GPIO_QSPI_SD1_EDGE_HIGH | RW | 0x0 |
| 22 | GPIO_QSPI_SD1_EDGE_LOW | RW | 0x0 |
| 21 | GPIO_QSPI_SD1_LEVEL_HIGH | RW | 0x0 |
| 20 | GPIO_QSPI_SD1_LEVEL_LOW | RW | 0x0 |
| 19 | GPIO_QSPI_SD0_EDGE_HIGH | RW | 0x0 |
| 18 | GPIO_QSPI_SD0_EDGE_LOW | RW | 0x0 |
| 17 | GPIO_QSPI_SD0_LEVEL_HIGH | RW | 0x0 |
| 16 | GPIO_QSPI_SD0_LEVEL_LOW | RW | 0x0 |
| 15 | GPIO_QSPI_SS_EDGE_HIGH | RW | 0x0 |
| 14 | GPIO_QSPI_SS_EDGE_LOW | RW | 0x0 |
| 13 | GPIO_QSPI_SS_LEVEL_HIGH | RW | 0x0 |
| 12 | GPIO_QSPI_SS_LEVEL_LOW | RW | 0x0 |
| 11 | GPIO_QSPI_SCLK_EDGE_HIGH | RW | 0x0 |

| Bits | Description | Type | Reset |
|------|---------------------------|------|-------|
| 10 | GPIO_QSPI_SCLK_EDGE_LOW | RW | 0x0 |
| 9 | GPIO_QSPI_SCLK_LEVEL_HIGH | RW | 0x0 |
| 8 | GPIO_QSPI_SCLK_LEVEL_LOW | RW | 0x0 |
| 7 | USBPHY_DM_EDGE_HIGH | RW | 0x0 |
| 6 | USBPHY_DM_EDGE_LOW | RW | 0x0 |
| 5 | USBPHY_DM_LEVEL_HIGH | RW | 0x0 |
| 4 | USBPHY_DM_LEVEL_LOW | RW | 0x0 |
| 3 | USBPHY_DP_EDGE_HIGH | RW | 0x0 |
| 2 | USBPHY_DP_EDGE_LOW | RW | 0x0 |
| 1 | USBPHY_DP_LEVEL_HIGH | RW | 0x0 |
| 0 | USBPHY_DP_LEVEL_LOW | RW | 0x0 |

IO_QSPI: PROC1_INTF Register

Offset: 0x22c

Description

Interrupt Force for proc1

Table 846.
PROC1_INTF Register

| Bits | Description | Type | Reset |
|------|--------------------------|------|-------|
| 31 | GPIO_QSPI_SD3_EDGE_HIGH | RW | 0x0 |
| 30 | GPIO_QSPI_SD3_EDGE_LOW | RW | 0x0 |
| 29 | GPIO_QSPI_SD3_LEVEL_HIGH | RW | 0x0 |
| 28 | GPIO_QSPI_SD3_LEVEL_LOW | RW | 0x0 |
| 27 | GPIO_QSPI_SD2_EDGE_HIGH | RW | 0x0 |
| 26 | GPIO_QSPI_SD2_EDGE_LOW | RW | 0x0 |
| 25 | GPIO_QSPI_SD2_LEVEL_HIGH | RW | 0x0 |
| 24 | GPIO_QSPI_SD2_LEVEL_LOW | RW | 0x0 |
| 23 | GPIO_QSPI_SD1_EDGE_HIGH | RW | 0x0 |
| 22 | GPIO_QSPI_SD1_EDGE_LOW | RW | 0x0 |
| 21 | GPIO_QSPI_SD1_LEVEL_HIGH | RW | 0x0 |
| 20 | GPIO_QSPI_SD1_LEVEL_LOW | RW | 0x0 |
| 19 | GPIO_QSPI_SD0_EDGE_HIGH | RW | 0x0 |
| 18 | GPIO_QSPI_SD0_EDGE_LOW | RW | 0x0 |
| 17 | GPIO_QSPI_SD0_LEVEL_HIGH | RW | 0x0 |
| 16 | GPIO_QSPI_SD0_LEVEL_LOW | RW | 0x0 |
| 15 | GPIO_QSPI_SS_EDGE_HIGH | RW | 0x0 |
| 14 | GPIO_QSPI_SS_EDGE_LOW | RW | 0x0 |
| 13 | GPIO_QSPI_SS_LEVEL_HIGH | RW | 0x0 |

| Bits | Description | Type | Reset |
|------|---------------------------|------|-------|
| 12 | GPIO_QSPI_SS_LEVEL_LOW | RW | 0x0 |
| 11 | GPIO_QSPI_SCLK_EDGE_HIGH | RW | 0x0 |
| 10 | GPIO_QSPI_SCLK_EDGE_LOW | RW | 0x0 |
| 9 | GPIO_QSPI_SCLK_LEVEL_HIGH | RW | 0x0 |
| 8 | GPIO_QSPI_SCLK_LEVEL_LOW | RW | 0x0 |
| 7 | USBPHY_DM_EDGE_HIGH | RW | 0x0 |
| 6 | USBPHY_DM_EDGE_LOW | RW | 0x0 |
| 5 | USBPHY_DM_LEVEL_HIGH | RW | 0x0 |
| 4 | USBPHY_DM_LEVEL_LOW | RW | 0x0 |
| 3 | USBPHY_DP_EDGE_HIGH | RW | 0x0 |
| 2 | USBPHY_DP_EDGE_LOW | RW | 0x0 |
| 1 | USBPHY_DP_LEVEL_HIGH | RW | 0x0 |
| 0 | USBPHY_DP_LEVEL_LOW | RW | 0x0 |

IO_QSPI: PROC1_INTS Register

Offset: 0x230

Description

Interrupt status after masking & forcing for proc1

Table 847.
PROC1_INTS Register

| Bits | Description | Type | Reset |
|------|--------------------------|------|-------|
| 31 | GPIO_QSPI_SD3_EDGE_HIGH | RO | 0x0 |
| 30 | GPIO_QSPI_SD3_EDGE_LOW | RO | 0x0 |
| 29 | GPIO_QSPI_SD3_LEVEL_HIGH | RO | 0x0 |
| 28 | GPIO_QSPI_SD3_LEVEL_LOW | RO | 0x0 |
| 27 | GPIO_QSPI_SD2_EDGE_HIGH | RO | 0x0 |
| 26 | GPIO_QSPI_SD2_EDGE_LOW | RO | 0x0 |
| 25 | GPIO_QSPI_SD2_LEVEL_HIGH | RO | 0x0 |
| 24 | GPIO_QSPI_SD2_LEVEL_LOW | RO | 0x0 |
| 23 | GPIO_QSPI_SD1_EDGE_HIGH | RO | 0x0 |
| 22 | GPIO_QSPI_SD1_EDGE_LOW | RO | 0x0 |
| 21 | GPIO_QSPI_SD1_LEVEL_HIGH | RO | 0x0 |
| 20 | GPIO_QSPI_SD1_LEVEL_LOW | RO | 0x0 |
| 19 | GPIO_QSPI_SD0_EDGE_HIGH | RO | 0x0 |
| 18 | GPIO_QSPI_SD0_EDGE_LOW | RO | 0x0 |
| 17 | GPIO_QSPI_SD0_LEVEL_HIGH | RO | 0x0 |
| 16 | GPIO_QSPI_SD0_LEVEL_LOW | RO | 0x0 |
| 15 | GPIO_QSPI_SS_EDGE_HIGH | RO | 0x0 |

| Bits | Description | Type | Reset |
|------|---------------------------|------|-------|
| 14 | GPIO_QSPI_SS_EDGE_LOW | RO | 0x0 |
| 13 | GPIO_QSPI_SS_LEVEL_HIGH | RO | 0x0 |
| 12 | GPIO_QSPI_SS_LEVEL_LOW | RO | 0x0 |
| 11 | GPIO_QSPI_SCLK_EDGE_HIGH | RO | 0x0 |
| 10 | GPIO_QSPI_SCLK_EDGE_LOW | RO | 0x0 |
| 9 | GPIO_QSPI_SCLK_LEVEL_HIGH | RO | 0x0 |
| 8 | GPIO_QSPI_SCLK_LEVEL_LOW | RO | 0x0 |
| 7 | USBPHY_DM_EDGE_HIGH | RO | 0x0 |
| 6 | USBPHY_DM_EDGE_LOW | RO | 0x0 |
| 5 | USBPHY_DM_LEVEL_HIGH | RO | 0x0 |
| 4 | USBPHY_DM_LEVEL_LOW | RO | 0x0 |
| 3 | USBPHY_DP_EDGE_HIGH | RO | 0x0 |
| 2 | USBPHY_DP_EDGE_LOW | RO | 0x0 |
| 1 | USBPHY_DP_LEVEL_HIGH | RO | 0x0 |
| 0 | USBPHY_DP_LEVEL_LOW | RO | 0x0 |

IO_QSPI: DORMANT_WAKE_INTE Register

Offset: 0x234

Description

Interrupt Enable for dormant_wake

Table 848.
DORMANT_WAKE_INTE Register

| Bits | Description | Type | Reset |
|------|--------------------------|------|-------|
| 31 | GPIO_QSPI_SD3_EDGE_HIGH | RW | 0x0 |
| 30 | GPIO_QSPI_SD3_EDGE_LOW | RW | 0x0 |
| 29 | GPIO_QSPI_SD3_LEVEL_HIGH | RW | 0x0 |
| 28 | GPIO_QSPI_SD3_LEVEL_LOW | RW | 0x0 |
| 27 | GPIO_QSPI_SD2_EDGE_HIGH | RW | 0x0 |
| 26 | GPIO_QSPI_SD2_EDGE_LOW | RW | 0x0 |
| 25 | GPIO_QSPI_SD2_LEVEL_HIGH | RW | 0x0 |
| 24 | GPIO_QSPI_SD2_LEVEL_LOW | RW | 0x0 |
| 23 | GPIO_QSPI_SD1_EDGE_HIGH | RW | 0x0 |
| 22 | GPIO_QSPI_SD1_EDGE_LOW | RW | 0x0 |
| 21 | GPIO_QSPI_SD1_LEVEL_HIGH | RW | 0x0 |
| 20 | GPIO_QSPI_SD1_LEVEL_LOW | RW | 0x0 |
| 19 | GPIO_QSPI_SD0_EDGE_HIGH | RW | 0x0 |
| 18 | GPIO_QSPI_SD0_EDGE_LOW | RW | 0x0 |
| 17 | GPIO_QSPI_SD0_LEVEL_HIGH | RW | 0x0 |

| Bits | Description | Type | Reset |
|------|---------------------------|------|-------|
| 16 | GPIO_QSPI_SD0_LEVEL_LOW | RW | 0x0 |
| 15 | GPIO_QSPI_SS_EDGE_HIGH | RW | 0x0 |
| 14 | GPIO_QSPI_SS_EDGE_LOW | RW | 0x0 |
| 13 | GPIO_QSPI_SS_LEVEL_HIGH | RW | 0x0 |
| 12 | GPIO_QSPI_SS_LEVEL_LOW | RW | 0x0 |
| 11 | GPIO_QSPI_SCLK_EDGE_HIGH | RW | 0x0 |
| 10 | GPIO_QSPI_SCLK_EDGE_LOW | RW | 0x0 |
| 9 | GPIO_QSPI_SCLK_LEVEL_HIGH | RW | 0x0 |
| 8 | GPIO_QSPI_SCLK_LEVEL_LOW | RW | 0x0 |
| 7 | USBPHY_DM_EDGE_HIGH | RW | 0x0 |
| 6 | USBPHY_DM_EDGE_LOW | RW | 0x0 |
| 5 | USBPHY_DM_LEVEL_HIGH | RW | 0x0 |
| 4 | USBPHY_DM_LEVEL_LOW | RW | 0x0 |
| 3 | USBPHY_DP_EDGE_HIGH | RW | 0x0 |
| 2 | USBPHY_DP_EDGE_LOW | RW | 0x0 |
| 1 | USBPHY_DP_LEVEL_HIGH | RW | 0x0 |
| 0 | USBPHY_DP_LEVEL_LOW | RW | 0x0 |

IO_QSPI: DORMANT_WAKE_INTF Register

Offset: 0x238

Description

Interrupt Force for dormant_wake

Table 849.
DORMANT_WAKE_INTF Register

| Bits | Description | Type | Reset |
|------|--------------------------|------|-------|
| 31 | GPIO_QSPI_SD3_EDGE_HIGH | RW | 0x0 |
| 30 | GPIO_QSPI_SD3_EDGE_LOW | RW | 0x0 |
| 29 | GPIO_QSPI_SD3_LEVEL_HIGH | RW | 0x0 |
| 28 | GPIO_QSPI_SD3_LEVEL_LOW | RW | 0x0 |
| 27 | GPIO_QSPI_SD2_EDGE_HIGH | RW | 0x0 |
| 26 | GPIO_QSPI_SD2_EDGE_LOW | RW | 0x0 |
| 25 | GPIO_QSPI_SD2_LEVEL_HIGH | RW | 0x0 |
| 24 | GPIO_QSPI_SD2_LEVEL_LOW | RW | 0x0 |
| 23 | GPIO_QSPI_SD1_EDGE_HIGH | RW | 0x0 |
| 22 | GPIO_QSPI_SD1_EDGE_LOW | RW | 0x0 |
| 21 | GPIO_QSPI_SD1_LEVEL_HIGH | RW | 0x0 |
| 20 | GPIO_QSPI_SD1_LEVEL_LOW | RW | 0x0 |
| 19 | GPIO_QSPI_SD0_EDGE_HIGH | RW | 0x0 |

| Bits | Description | Type | Reset |
|------|---------------------------|------|-------|
| 18 | GPIO_QSPI_SD0_EDGE_LOW | RW | 0x0 |
| 17 | GPIO_QSPI_SD0_LEVEL_HIGH | RW | 0x0 |
| 16 | GPIO_QSPI_SD0_LEVEL_LOW | RW | 0x0 |
| 15 | GPIO_QSPI_SS_EDGE_HIGH | RW | 0x0 |
| 14 | GPIO_QSPI_SS_EDGE_LOW | RW | 0x0 |
| 13 | GPIO_QSPI_SS_LEVEL_HIGH | RW | 0x0 |
| 12 | GPIO_QSPI_SS_LEVEL_LOW | RW | 0x0 |
| 11 | GPIO_QSPI_SCLK_EDGE_HIGH | RW | 0x0 |
| 10 | GPIO_QSPI_SCLK_EDGE_LOW | RW | 0x0 |
| 9 | GPIO_QSPI_SCLK_LEVEL_HIGH | RW | 0x0 |
| 8 | GPIO_QSPI_SCLK_LEVEL_LOW | RW | 0x0 |
| 7 | USBPHY_DM_EDGE_HIGH | RW | 0x0 |
| 6 | USBPHY_DM_EDGE_LOW | RW | 0x0 |
| 5 | USBPHY_DM_LEVEL_HIGH | RW | 0x0 |
| 4 | USBPHY_DM_LEVEL_LOW | RW | 0x0 |
| 3 | USBPHY_DP_EDGE_HIGH | RW | 0x0 |
| 2 | USBPHY_DP_EDGE_LOW | RW | 0x0 |
| 1 | USBPHY_DP_LEVEL_HIGH | RW | 0x0 |
| 0 | USBPHY_DP_LEVEL_LOW | RW | 0x0 |

IO_QSPI: DORMANT_WAKE_INTS Register

Offset: 0x23c

Description

Interrupt status after masking & forcing for dormant_wake

Table 850.
DORMANT_WAKE_INTS Register

| Bits | Description | Type | Reset |
|------|--------------------------|------|-------|
| 31 | GPIO_QSPI_SD3_EDGE_HIGH | RO | 0x0 |
| 30 | GPIO_QSPI_SD3_EDGE_LOW | RO | 0x0 |
| 29 | GPIO_QSPI_SD3_LEVEL_HIGH | RO | 0x0 |
| 28 | GPIO_QSPI_SD3_LEVEL_LOW | RO | 0x0 |
| 27 | GPIO_QSPI_SD2_EDGE_HIGH | RO | 0x0 |
| 26 | GPIO_QSPI_SD2_EDGE_LOW | RO | 0x0 |
| 25 | GPIO_QSPI_SD2_LEVEL_HIGH | RO | 0x0 |
| 24 | GPIO_QSPI_SD2_LEVEL_LOW | RO | 0x0 |
| 23 | GPIO_QSPI_SD1_EDGE_HIGH | RO | 0x0 |
| 22 | GPIO_QSPI_SD1_EDGE_LOW | RO | 0x0 |
| 21 | GPIO_QSPI_SD1_LEVEL_HIGH | RO | 0x0 |

| Bits | Description | Type | Reset |
|------|---------------------------|------|-------|
| 20 | GPIO_QSPI_SD1_LEVEL_LOW | RO | 0x0 |
| 19 | GPIO_QSPI_SD0_EDGE_HIGH | RO | 0x0 |
| 18 | GPIO_QSPI_SD0_EDGE_LOW | RO | 0x0 |
| 17 | GPIO_QSPI_SD0_LEVEL_HIGH | RO | 0x0 |
| 16 | GPIO_QSPI_SD0_LEVEL_LOW | RO | 0x0 |
| 15 | GPIO_QSPI_SS_EDGE_HIGH | RO | 0x0 |
| 14 | GPIO_QSPI_SS_EDGE_LOW | RO | 0x0 |
| 13 | GPIO_QSPI_SS_LEVEL_HIGH | RO | 0x0 |
| 12 | GPIO_QSPI_SS_LEVEL_LOW | RO | 0x0 |
| 11 | GPIO_QSPI_SCLK_EDGE_HIGH | RO | 0x0 |
| 10 | GPIO_QSPI_SCLK_EDGE_LOW | RO | 0x0 |
| 9 | GPIO_QSPI_SCLK_LEVEL_HIGH | RO | 0x0 |
| 8 | GPIO_QSPI_SCLK_LEVEL_LOW | RO | 0x0 |
| 7 | USBPHY_DM_EDGE_HIGH | RO | 0x0 |
| 6 | USBPHY_DM_EDGE_LOW | RO | 0x0 |
| 5 | USBPHY_DM_LEVEL_HIGH | RO | 0x0 |
| 4 | USBPHY_DM_LEVEL_LOW | RO | 0x0 |
| 3 | USBPHY_DP_EDGE_HIGH | RO | 0x0 |
| 2 | USBPHY_DP_EDGE_LOW | RO | 0x0 |
| 1 | USBPHY_DP_LEVEL_HIGH | RO | 0x0 |
| 0 | USBPHY_DP_LEVEL_LOW | RO | 0x0 |

9.11.3. Pad Control - User Bank

The User Bank Pad Control registers start at a base address of `0x40038000` (defined as `PADS_BANK0_BASE` in SDK).

Table 851. List of PADS_BANK0 registers

| Offset | Name | Info |
|--------|----------------|----------------------------------|
| 0x00 | VOLTAGE_SELECT | Voltage select. Per bank control |
| 0x04 | GPIO0 | |
| 0x08 | GPIO1 | |
| 0x0c | GPIO2 | |
| 0x10 | GPIO3 | |
| 0x14 | GPIO4 | |
| 0x18 | GPIO5 | |
| 0x1c | GPIO6 | |
| 0x20 | GPIO7 | |
| 0x24 | GPIO8 | |

| Offset | Name | Info |
|--------|------------------------|------|
| 0x28 | GPIO9 | |
| 0x2c | GPIO10 | |
| 0x30 | GPIO11 | |
| 0x34 | GPIO12 | |
| 0x38 | GPIO13 | |
| 0x3c | GPIO14 | |
| 0x40 | GPIO15 | |
| 0x44 | GPIO16 | |
| 0x48 | GPIO17 | |
| 0x4c | GPIO18 | |
| 0x50 | GPIO19 | |
| 0x54 | GPIO20 | |
| 0x58 | GPIO21 | |
| 0x5c | GPIO22 | |
| 0x60 | GPIO23 | |
| 0x64 | GPIO24 | |
| 0x68 | GPIO25 | |
| 0x6c | GPIO26 | |
| 0x70 | GPIO27 | |
| 0x74 | GPIO28 | |
| 0x78 | GPIO29 | |
| 0x7c | GPIO30 | |
| 0x80 | GPIO31 | |
| 0x84 | GPIO32 | |
| 0x88 | GPIO33 | |
| 0x8c | GPIO34 | |
| 0x90 | GPIO35 | |
| 0x94 | GPIO36 | |
| 0x98 | GPIO37 | |
| 0x9c | GPIO38 | |
| 0xa0 | GPIO39 | |
| 0xa4 | GPIO40 | |
| 0xa8 | GPIO41 | |
| 0xac | GPIO42 | |
| 0xb0 | GPIO43 | |
| 0xb4 | GPIO44 | |

| Offset | Name | Info |
|--------|--------|------|
| 0xb8 | GPIO45 | |
| 0xbc | GPIO46 | |
| 0xc0 | GPIO47 | |
| 0xc4 | SWCLK | |
| 0xc8 | SWD | |

PADS_BANK0: VOLTAGE_SELECT Register

Offset: 0x00

Table 852. VOLTAGE_SELECT Register

| Bits | Description | Type | Reset |
|------|---|------|-------|
| 31:1 | Reserved. | - | - |
| 0 | Voltage select. Per bank control | RW | 0x0 |
| | Enumerated values: | | |
| | 0x0 → 3V3: Set voltage to 3.3V (DVDD ≥ 2V5) | | |
| | 0x1 → 1V8: Set voltage to 1.8V (DVDD ≤ 1V8) | | |

PADS_BANK0: GPIO0 Register

Offset: 0x04

Table 853. GPIO0 Register

| Bits | Description | Type | Reset |
|------|---|------|-------|
| 31:9 | Reserved. | - | - |
| 8 | ISO : Pad isolation control. Remove this once the pad is configured by software. | RW | 0x1 |
| 7 | OD : Output disable. Has priority over output enable from peripherals | RW | 0x0 |
| 6 | IE : Input enable | RW | 0x0 |
| 5:4 | DRIVE : Drive strength. | RW | 0x1 |
| | Enumerated values: | | |
| | 0x0 → 2MA | | |
| | 0x1 → 4MA | | |
| | 0x2 → 8MA | | |
| | 0x3 → 12MA | | |
| 3 | PUE : Pull up enable | RW | 0x0 |
| 2 | PDE : Pull down enable | RW | 0x1 |
| 1 | SCHMITT : Enable schmitt trigger | RW | 0x1 |
| 0 | SLEWFAST : Slew rate control. 1 = Fast, 0 = Slow | RW | 0x0 |

PADS_BANK0: GPIO1 Register

Offset: 0x08

Table 854. GPIO1 Register

| Bits | Description | Type | Reset |
|------|---|------|-------|
| 31:9 | Reserved. | - | - |
| 8 | ISO : Pad isolation control. Remove this once the pad is configured by software. | RW | 0x1 |
| 7 | OD : Output disable. Has priority over output enable from peripherals | RW | 0x0 |
| 6 | IE : Input enable | RW | 0x0 |
| 5:4 | DRIVE : Drive strength. | RW | 0x1 |
| | Enumerated values: | | |
| | 0x0 → 2MA | | |
| | 0x1 → 4MA | | |
| | 0x2 → 8MA | | |
| | 0x3 → 12MA | | |
| 3 | PUE : Pull up enable | RW | 0x0 |
| 2 | PDE : Pull down enable | RW | 0x1 |
| 1 | SCHMITT : Enable schmitt trigger | RW | 0x1 |
| 0 | SLEWFAST : Slew rate control. 1 = Fast, 0 = Slow | RW | 0x0 |

PADS_BANK0: GPIO2 Register

Offset: 0x0c

Table 855. GPIO2 Register

| Bits | Description | Type | Reset |
|------|---|------|-------|
| 31:9 | Reserved. | - | - |
| 8 | ISO : Pad isolation control. Remove this once the pad is configured by software. | RW | 0x1 |
| 7 | OD : Output disable. Has priority over output enable from peripherals | RW | 0x0 |
| 6 | IE : Input enable | RW | 0x0 |
| 5:4 | DRIVE : Drive strength. | RW | 0x1 |
| | Enumerated values: | | |
| | 0x0 → 2MA | | |
| | 0x1 → 4MA | | |
| | 0x2 → 8MA | | |
| | 0x3 → 12MA | | |
| 3 | PUE : Pull up enable | RW | 0x0 |
| 2 | PDE : Pull down enable | RW | 0x1 |
| 1 | SCHMITT : Enable schmitt trigger | RW | 0x1 |
| 0 | SLEWFAST : Slew rate control. 1 = Fast, 0 = Slow | RW | 0x0 |

PADS_BANK0: GPIO3 Register

Offset: 0x10

Table 856. GPIO3 Register

| Bits | Description | Type | Reset |
|------|---|------|-------|
| 31:9 | Reserved. | - | - |
| 8 | ISO : Pad isolation control. Remove this once the pad is configured by software. | RW | 0x1 |
| 7 | OD : Output disable. Has priority over output enable from peripherals | RW | 0x0 |
| 6 | IE : Input enable | RW | 0x0 |
| 5:4 | DRIVE : Drive strength. | RW | 0x1 |
| | Enumerated values: | | |
| | 0x0 → 2MA | | |
| | 0x1 → 4MA | | |
| | 0x2 → 8MA | | |
| | 0x3 → 12MA | | |
| 3 | PUE : Pull up enable | RW | 0x0 |
| 2 | PDE : Pull down enable | RW | 0x1 |
| 1 | SCHMITT : Enable schmitt trigger | RW | 0x1 |
| 0 | SLEWFAST : Slew rate control. 1 = Fast, 0 = Slow | RW | 0x0 |

PADS_BANK0: GPIO4 Register

Offset: 0x14

Table 857. GPIO4 Register

| Bits | Description | Type | Reset |
|------|---|------|-------|
| 31:9 | Reserved. | - | - |
| 8 | ISO : Pad isolation control. Remove this once the pad is configured by software. | RW | 0x1 |
| 7 | OD : Output disable. Has priority over output enable from peripherals | RW | 0x0 |
| 6 | IE : Input enable | RW | 0x0 |
| 5:4 | DRIVE : Drive strength. | RW | 0x1 |
| | Enumerated values: | | |
| | 0x0 → 2MA | | |
| | 0x1 → 4MA | | |
| | 0x2 → 8MA | | |
| | 0x3 → 12MA | | |
| 3 | PUE : Pull up enable | RW | 0x0 |
| 2 | PDE : Pull down enable | RW | 0x1 |
| 1 | SCHMITT : Enable schmitt trigger | RW | 0x1 |
| 0 | SLEWFAST : Slew rate control. 1 = Fast, 0 = Slow | RW | 0x0 |

PADS_BANK0: GPIO5 Register

Offset: 0x18

Table 858. GPIO5 Register

| Bits | Description | Type | Reset |
|------|---|------|-------|
| 31:9 | Reserved. | - | - |
| 8 | ISO : Pad isolation control. Remove this once the pad is configured by software. | RW | 0x1 |
| 7 | OD : Output disable. Has priority over output enable from peripherals | RW | 0x0 |
| 6 | IE : Input enable | RW | 0x0 |
| 5:4 | DRIVE : Drive strength. | RW | 0x1 |
| | Enumerated values: | | |
| | 0x0 → 2MA | | |
| | 0x1 → 4MA | | |
| | 0x2 → 8MA | | |
| | 0x3 → 12MA | | |
| 3 | PUE : Pull up enable | RW | 0x0 |
| 2 | PDE : Pull down enable | RW | 0x1 |
| 1 | SCHMITT : Enable schmitt trigger | RW | 0x1 |
| 0 | SLEWFAST : Slew rate control. 1 = Fast, 0 = Slow | RW | 0x0 |

PADS_BANK0: GPIO6 Register

Offset: 0x1c

Table 859. GPIO6 Register

| Bits | Description | Type | Reset |
|------|---|------|-------|
| 31:9 | Reserved. | - | - |
| 8 | ISO : Pad isolation control. Remove this once the pad is configured by software. | RW | 0x1 |
| 7 | OD : Output disable. Has priority over output enable from peripherals | RW | 0x0 |
| 6 | IE : Input enable | RW | 0x0 |
| 5:4 | DRIVE : Drive strength. | RW | 0x1 |
| | Enumerated values: | | |
| | 0x0 → 2MA | | |
| | 0x1 → 4MA | | |
| | 0x2 → 8MA | | |
| | 0x3 → 12MA | | |
| 3 | PUE : Pull up enable | RW | 0x0 |
| 2 | PDE : Pull down enable | RW | 0x1 |
| 1 | SCHMITT : Enable schmitt trigger | RW | 0x1 |
| 0 | SLEWFAST : Slew rate control. 1 = Fast, 0 = Slow | RW | 0x0 |

PADS_BANK0: GPIO7 Register

Offset: 0x20

Table 860. GPIO7 Register

| Bits | Description | Type | Reset |
|------|---|------|-------|
| 31:9 | Reserved. | - | - |
| 8 | ISO : Pad isolation control. Remove this once the pad is configured by software. | RW | 0x1 |
| 7 | OD : Output disable. Has priority over output enable from peripherals | RW | 0x0 |
| 6 | IE : Input enable | RW | 0x0 |
| 5:4 | DRIVE : Drive strength. | RW | 0x1 |
| | Enumerated values: | | |
| | 0x0 → 2MA | | |
| | 0x1 → 4MA | | |
| | 0x2 → 8MA | | |
| | 0x3 → 12MA | | |
| 3 | PUE : Pull up enable | RW | 0x0 |
| 2 | PDE : Pull down enable | RW | 0x1 |
| 1 | SCHMITT : Enable schmitt trigger | RW | 0x1 |
| 0 | SLEWFAST : Slew rate control. 1 = Fast, 0 = Slow | RW | 0x0 |

PADS_BANK0: GPIO8 Register

Offset: 0x24

Table 861. GPIO8 Register

| Bits | Description | Type | Reset |
|------|---|------|-------|
| 31:9 | Reserved. | - | - |
| 8 | ISO : Pad isolation control. Remove this once the pad is configured by software. | RW | 0x1 |
| 7 | OD : Output disable. Has priority over output enable from peripherals | RW | 0x0 |
| 6 | IE : Input enable | RW | 0x0 |
| 5:4 | DRIVE : Drive strength. | RW | 0x1 |
| | Enumerated values: | | |
| | 0x0 → 2MA | | |
| | 0x1 → 4MA | | |
| | 0x2 → 8MA | | |
| | 0x3 → 12MA | | |
| 3 | PUE : Pull up enable | RW | 0x0 |
| 2 | PDE : Pull down enable | RW | 0x1 |
| 1 | SCHMITT : Enable schmitt trigger | RW | 0x1 |
| 0 | SLEWFAST : Slew rate control. 1 = Fast, 0 = Slow | RW | 0x0 |

PADS_BANK0: GPIO9 Register

Offset: 0x28

Table 862. GPIO9 Register

| Bits | Description | Type | Reset |
|------|---|------|-------|
| 31:9 | Reserved. | - | - |
| 8 | ISO : Pad isolation control. Remove this once the pad is configured by software. | RW | 0x1 |
| 7 | OD : Output disable. Has priority over output enable from peripherals | RW | 0x0 |
| 6 | IE : Input enable | RW | 0x0 |
| 5:4 | DRIVE : Drive strength. | RW | 0x1 |
| | Enumerated values: | | |
| | 0x0 → 2MA | | |
| | 0x1 → 4MA | | |
| | 0x2 → 8MA | | |
| | 0x3 → 12MA | | |
| 3 | PUE : Pull up enable | RW | 0x0 |
| 2 | PDE : Pull down enable | RW | 0x1 |
| 1 | SCHMITT : Enable schmitt trigger | RW | 0x1 |
| 0 | SLEWFAST : Slew rate control. 1 = Fast, 0 = Slow | RW | 0x0 |

PADS_BANK0: GPIO10 Register

Offset: 0x2c

Table 863. GPIO10 Register

| Bits | Description | Type | Reset |
|------|---|------|-------|
| 31:9 | Reserved. | - | - |
| 8 | ISO : Pad isolation control. Remove this once the pad is configured by software. | RW | 0x1 |
| 7 | OD : Output disable. Has priority over output enable from peripherals | RW | 0x0 |
| 6 | IE : Input enable | RW | 0x0 |
| 5:4 | DRIVE : Drive strength. | RW | 0x1 |
| | Enumerated values: | | |
| | 0x0 → 2MA | | |
| | 0x1 → 4MA | | |
| | 0x2 → 8MA | | |
| | 0x3 → 12MA | | |
| 3 | PUE : Pull up enable | RW | 0x0 |
| 2 | PDE : Pull down enable | RW | 0x1 |
| 1 | SCHMITT : Enable schmitt trigger | RW | 0x1 |
| 0 | SLEWFAST : Slew rate control. 1 = Fast, 0 = Slow | RW | 0x0 |

PADS_BANK0: GPIO11 Register

Offset: 0x30

Table 864. GPIO11 Register

| Bits | Description | Type | Reset |
|------|---|------|-------|
| 31:9 | Reserved. | - | - |
| 8 | ISO : Pad isolation control. Remove this once the pad is configured by software. | RW | 0x1 |
| 7 | OD : Output disable. Has priority over output enable from peripherals | RW | 0x0 |
| 6 | IE : Input enable | RW | 0x0 |
| 5:4 | DRIVE : Drive strength. | RW | 0x1 |
| | Enumerated values: | | |
| | 0x0 → 2MA | | |
| | 0x1 → 4MA | | |
| | 0x2 → 8MA | | |
| | 0x3 → 12MA | | |
| 3 | PUE : Pull up enable | RW | 0x0 |
| 2 | PDE : Pull down enable | RW | 0x1 |
| 1 | SCHMITT : Enable schmitt trigger | RW | 0x1 |
| 0 | SLEWFAST : Slew rate control. 1 = Fast, 0 = Slow | RW | 0x0 |

PADS_BANK0: GPIO12 Register

Offset: 0x34

Table 865. GPIO12 Register

| Bits | Description | Type | Reset |
|------|---|------|-------|
| 31:9 | Reserved. | - | - |
| 8 | ISO : Pad isolation control. Remove this once the pad is configured by software. | RW | 0x1 |
| 7 | OD : Output disable. Has priority over output enable from peripherals | RW | 0x0 |
| 6 | IE : Input enable | RW | 0x0 |
| 5:4 | DRIVE : Drive strength. | RW | 0x1 |
| | Enumerated values: | | |
| | 0x0 → 2MA | | |
| | 0x1 → 4MA | | |
| | 0x2 → 8MA | | |
| | 0x3 → 12MA | | |
| 3 | PUE : Pull up enable | RW | 0x0 |
| 2 | PDE : Pull down enable | RW | 0x1 |
| 1 | SCHMITT : Enable schmitt trigger | RW | 0x1 |
| 0 | SLEWFAST : Slew rate control. 1 = Fast, 0 = Slow | RW | 0x0 |

PADS_BANK0: GPIO13 Register

Offset: 0x38

Table 866. GPIO13 Register

| Bits | Description | Type | Reset |
|------|---|------|-------|
| 31:9 | Reserved. | - | - |
| 8 | ISO : Pad isolation control. Remove this once the pad is configured by software. | RW | 0x1 |
| 7 | OD : Output disable. Has priority over output enable from peripherals | RW | 0x0 |
| 6 | IE : Input enable | RW | 0x0 |
| 5:4 | DRIVE : Drive strength. | RW | 0x1 |
| | Enumerated values: | | |
| | 0x0 → 2MA | | |
| | 0x1 → 4MA | | |
| | 0x2 → 8MA | | |
| | 0x3 → 12MA | | |
| 3 | PUE : Pull up enable | RW | 0x0 |
| 2 | PDE : Pull down enable | RW | 0x1 |
| 1 | SCHMITT : Enable schmitt trigger | RW | 0x1 |
| 0 | SLEWFAST : Slew rate control. 1 = Fast, 0 = Slow | RW | 0x0 |

PADS_BANK0: GPIO14 Register

Offset: 0x3c

Table 867. GPIO14 Register

| Bits | Description | Type | Reset |
|------|---|------|-------|
| 31:9 | Reserved. | - | - |
| 8 | ISO : Pad isolation control. Remove this once the pad is configured by software. | RW | 0x1 |
| 7 | OD : Output disable. Has priority over output enable from peripherals | RW | 0x0 |
| 6 | IE : Input enable | RW | 0x0 |
| 5:4 | DRIVE : Drive strength. | RW | 0x1 |
| | Enumerated values: | | |
| | 0x0 → 2MA | | |
| | 0x1 → 4MA | | |
| | 0x2 → 8MA | | |
| | 0x3 → 12MA | | |
| 3 | PUE : Pull up enable | RW | 0x0 |
| 2 | PDE : Pull down enable | RW | 0x1 |
| 1 | SCHMITT : Enable schmitt trigger | RW | 0x1 |
| 0 | SLEWFAST : Slew rate control. 1 = Fast, 0 = Slow | RW | 0x0 |

PADS_BANK0: GPIO15 Register

Offset: 0x40

Table 868. GPIO15 Register

| Bits | Description | Type | Reset |
|------|---|------|-------|
| 31:9 | Reserved. | - | - |
| 8 | ISO : Pad isolation control. Remove this once the pad is configured by software. | RW | 0x1 |
| 7 | OD : Output disable. Has priority over output enable from peripherals | RW | 0x0 |
| 6 | IE : Input enable | RW | 0x0 |
| 5:4 | DRIVE : Drive strength. | RW | 0x1 |
| | Enumerated values: | | |
| | 0x0 → 2MA | | |
| | 0x1 → 4MA | | |
| | 0x2 → 8MA | | |
| | 0x3 → 12MA | | |
| 3 | PUE : Pull up enable | RW | 0x0 |
| 2 | PDE : Pull down enable | RW | 0x1 |
| 1 | SCHMITT : Enable schmitt trigger | RW | 0x1 |
| 0 | SLEWFAST : Slew rate control. 1 = Fast, 0 = Slow | RW | 0x0 |

PADS_BANK0: GPIO16 Register

Offset: 0x44

Table 869. GPIO16 Register

| Bits | Description | Type | Reset |
|------|---|------|-------|
| 31:9 | Reserved. | - | - |
| 8 | ISO : Pad isolation control. Remove this once the pad is configured by software. | RW | 0x1 |
| 7 | OD : Output disable. Has priority over output enable from peripherals | RW | 0x0 |
| 6 | IE : Input enable | RW | 0x0 |
| 5:4 | DRIVE : Drive strength. | RW | 0x1 |
| | Enumerated values: | | |
| | 0x0 → 2MA | | |
| | 0x1 → 4MA | | |
| | 0x2 → 8MA | | |
| | 0x3 → 12MA | | |
| 3 | PUE : Pull up enable | RW | 0x0 |
| 2 | PDE : Pull down enable | RW | 0x1 |
| 1 | SCHMITT : Enable schmitt trigger | RW | 0x1 |
| 0 | SLEWFAST : Slew rate control. 1 = Fast, 0 = Slow | RW | 0x0 |

PADS_BANK0: GPIO17 Register

Offset: 0x48

Table 870. GPIO17 Register

| Bits | Description | Type | Reset |
|------|---|------|-------|
| 31:9 | Reserved. | - | - |
| 8 | ISO : Pad isolation control. Remove this once the pad is configured by software. | RW | 0x1 |
| 7 | OD : Output disable. Has priority over output enable from peripherals | RW | 0x0 |
| 6 | IE : Input enable | RW | 0x0 |
| 5:4 | DRIVE : Drive strength. | RW | 0x1 |
| | Enumerated values: | | |
| | 0x0 → 2MA | | |
| | 0x1 → 4MA | | |
| | 0x2 → 8MA | | |
| | 0x3 → 12MA | | |
| 3 | PUE : Pull up enable | RW | 0x0 |
| 2 | PDE : Pull down enable | RW | 0x1 |
| 1 | SCHMITT : Enable schmitt trigger | RW | 0x1 |
| 0 | SLEWFAST : Slew rate control. 1 = Fast, 0 = Slow | RW | 0x0 |

PADS_BANK0: GPIO18 Register

Offset: 0x4c

Table 871. GPIO18 Register

| Bits | Description | Type | Reset |
|------|---|------|-------|
| 31:9 | Reserved. | - | - |
| 8 | ISO : Pad isolation control. Remove this once the pad is configured by software. | RW | 0x1 |
| 7 | OD : Output disable. Has priority over output enable from peripherals | RW | 0x0 |
| 6 | IE : Input enable | RW | 0x0 |
| 5:4 | DRIVE : Drive strength. | RW | 0x1 |
| | Enumerated values: | | |
| | 0x0 → 2MA | | |
| | 0x1 → 4MA | | |
| | 0x2 → 8MA | | |
| | 0x3 → 12MA | | |
| 3 | PUE : Pull up enable | RW | 0x0 |
| 2 | PDE : Pull down enable | RW | 0x1 |
| 1 | SCHMITT : Enable schmitt trigger | RW | 0x1 |
| 0 | SLEWFAST : Slew rate control. 1 = Fast, 0 = Slow | RW | 0x0 |

PADS_BANK0: GPIO19 Register

Offset: 0x50

Table 872. GPIO19 Register

| Bits | Description | Type | Reset |
|------|---|------|-------|
| 31:9 | Reserved. | - | - |
| 8 | ISO : Pad isolation control. Remove this once the pad is configured by software. | RW | 0x1 |
| 7 | OD : Output disable. Has priority over output enable from peripherals | RW | 0x0 |
| 6 | IE : Input enable | RW | 0x0 |
| 5:4 | DRIVE : Drive strength. | RW | 0x1 |
| | Enumerated values: | | |
| | 0x0 → 2MA | | |
| | 0x1 → 4MA | | |
| | 0x2 → 8MA | | |
| | 0x3 → 12MA | | |
| 3 | PUE : Pull up enable | RW | 0x0 |
| 2 | PDE : Pull down enable | RW | 0x1 |
| 1 | SCHMITT : Enable schmitt trigger | RW | 0x1 |
| 0 | SLEWFAST : Slew rate control. 1 = Fast, 0 = Slow | RW | 0x0 |

PADS_BANK0: GPIO20 Register

Offset: 0x54

Table 873. GPIO20 Register

| Bits | Description | Type | Reset |
|------|---|------|-------|
| 31:9 | Reserved. | - | - |
| 8 | ISO : Pad isolation control. Remove this once the pad is configured by software. | RW | 0x1 |
| 7 | OD : Output disable. Has priority over output enable from peripherals | RW | 0x0 |
| 6 | IE : Input enable | RW | 0x0 |
| 5:4 | DRIVE : Drive strength. | RW | 0x1 |
| | Enumerated values: | | |
| | 0x0 → 2MA | | |
| | 0x1 → 4MA | | |
| | 0x2 → 8MA | | |
| | 0x3 → 12MA | | |
| 3 | PUE : Pull up enable | RW | 0x0 |
| 2 | PDE : Pull down enable | RW | 0x1 |
| 1 | SCHMITT : Enable schmitt trigger | RW | 0x1 |
| 0 | SLEWFAST : Slew rate control. 1 = Fast, 0 = Slow | RW | 0x0 |

PADS_BANK0: GPIO21 Register

Offset: 0x58

Table 874. GPIO21 Register

| Bits | Description | Type | Reset |
|------|---|------|-------|
| 31:9 | Reserved. | - | - |
| 8 | ISO : Pad isolation control. Remove this once the pad is configured by software. | RW | 0x1 |
| 7 | OD : Output disable. Has priority over output enable from peripherals | RW | 0x0 |
| 6 | IE : Input enable | RW | 0x0 |
| 5:4 | DRIVE : Drive strength. | RW | 0x1 |
| | Enumerated values: | | |
| | 0x0 → 2MA | | |
| | 0x1 → 4MA | | |
| | 0x2 → 8MA | | |
| | 0x3 → 12MA | | |
| 3 | PUE : Pull up enable | RW | 0x0 |
| 2 | PDE : Pull down enable | RW | 0x1 |
| 1 | SCHMITT : Enable schmitt trigger | RW | 0x1 |
| 0 | SLEWFAST : Slew rate control. 1 = Fast, 0 = Slow | RW | 0x0 |

PADS_BANK0: GPIO22 Register

Offset: 0x5c

Table 875. GPIO22 Register

| Bits | Description | Type | Reset |
|------|---|------|-------|
| 31:9 | Reserved. | - | - |
| 8 | ISO : Pad isolation control. Remove this once the pad is configured by software. | RW | 0x1 |
| 7 | OD : Output disable. Has priority over output enable from peripherals | RW | 0x0 |
| 6 | IE : Input enable | RW | 0x0 |
| 5:4 | DRIVE : Drive strength. | RW | 0x1 |
| | Enumerated values: | | |
| | 0x0 → 2MA | | |
| | 0x1 → 4MA | | |
| | 0x2 → 8MA | | |
| | 0x3 → 12MA | | |
| 3 | PUE : Pull up enable | RW | 0x0 |
| 2 | PDE : Pull down enable | RW | 0x1 |
| 1 | SCHMITT : Enable schmitt trigger | RW | 0x1 |
| 0 | SLEWFAST : Slew rate control. 1 = Fast, 0 = Slow | RW | 0x0 |

PADS_BANK0: GPIO23 Register

Offset: 0x60

Table 876. GPIO23 Register

| Bits | Description | Type | Reset |
|------|---|------|-------|
| 31:9 | Reserved. | - | - |
| 8 | ISO : Pad isolation control. Remove this once the pad is configured by software. | RW | 0x1 |
| 7 | OD : Output disable. Has priority over output enable from peripherals | RW | 0x0 |
| 6 | IE : Input enable | RW | 0x0 |
| 5:4 | DRIVE : Drive strength. | RW | 0x1 |
| | Enumerated values: | | |
| | 0x0 → 2MA | | |
| | 0x1 → 4MA | | |
| | 0x2 → 8MA | | |
| | 0x3 → 12MA | | |
| 3 | PUE : Pull up enable | RW | 0x0 |
| 2 | PDE : Pull down enable | RW | 0x1 |
| 1 | SCHMITT : Enable schmitt trigger | RW | 0x1 |
| 0 | SLEWFAST : Slew rate control. 1 = Fast, 0 = Slow | RW | 0x0 |

PADS_BANK0: GPIO24 Register

Offset: 0x64

Table 877. GPIO24 Register

| Bits | Description | Type | Reset |
|------|---|------|-------|
| 31:9 | Reserved. | - | - |
| 8 | ISO : Pad isolation control. Remove this once the pad is configured by software. | RW | 0x1 |
| 7 | OD : Output disable. Has priority over output enable from peripherals | RW | 0x0 |
| 6 | IE : Input enable | RW | 0x0 |
| 5:4 | DRIVE : Drive strength. | RW | 0x1 |
| | Enumerated values: | | |
| | 0x0 → 2MA | | |
| | 0x1 → 4MA | | |
| | 0x2 → 8MA | | |
| | 0x3 → 12MA | | |
| 3 | PUE : Pull up enable | RW | 0x0 |
| 2 | PDE : Pull down enable | RW | 0x1 |
| 1 | SCHMITT : Enable schmitt trigger | RW | 0x1 |
| 0 | SLEWFAST : Slew rate control. 1 = Fast, 0 = Slow | RW | 0x0 |

PADS_BANK0: GPIO25 Register

Offset: 0x68

Table 878. GPIO25 Register

| Bits | Description | Type | Reset |
|------|---|------|-------|
| 31:9 | Reserved. | - | - |
| 8 | ISO : Pad isolation control. Remove this once the pad is configured by software. | RW | 0x1 |
| 7 | OD : Output disable. Has priority over output enable from peripherals | RW | 0x0 |
| 6 | IE : Input enable | RW | 0x0 |
| 5:4 | DRIVE : Drive strength. | RW | 0x1 |
| | Enumerated values: | | |
| | 0x0 → 2MA | | |
| | 0x1 → 4MA | | |
| | 0x2 → 8MA | | |
| | 0x3 → 12MA | | |
| 3 | PUE : Pull up enable | RW | 0x0 |
| 2 | PDE : Pull down enable | RW | 0x1 |
| 1 | SCHMITT : Enable schmitt trigger | RW | 0x1 |
| 0 | SLEWFAST : Slew rate control. 1 = Fast, 0 = Slow | RW | 0x0 |

PADS_BANK0: GPIO26 Register

Offset: 0x6c

Table 879. GPIO26 Register

| Bits | Description | Type | Reset |
|------|---|------|-------|
| 31:9 | Reserved. | - | - |
| 8 | ISO : Pad isolation control. Remove this once the pad is configured by software. | RW | 0x1 |
| 7 | OD : Output disable. Has priority over output enable from peripherals | RW | 0x0 |
| 6 | IE : Input enable | RW | 0x0 |
| 5:4 | DRIVE : Drive strength. | RW | 0x1 |
| | Enumerated values: | | |
| | 0x0 → 2MA | | |
| | 0x1 → 4MA | | |
| | 0x2 → 8MA | | |
| | 0x3 → 12MA | | |
| 3 | PUE : Pull up enable | RW | 0x0 |
| 2 | PDE : Pull down enable | RW | 0x1 |
| 1 | SCHMITT : Enable schmitt trigger | RW | 0x1 |
| 0 | SLEWFAST : Slew rate control. 1 = Fast, 0 = Slow | RW | 0x0 |

PADS_BANK0: GPIO27 Register

Offset: 0x70

Table 880. GPIO27 Register

| Bits | Description | Type | Reset |
|------|---|------|-------|
| 31:9 | Reserved. | - | - |
| 8 | ISO : Pad isolation control. Remove this once the pad is configured by software. | RW | 0x1 |
| 7 | OD : Output disable. Has priority over output enable from peripherals | RW | 0x0 |
| 6 | IE : Input enable | RW | 0x0 |
| 5:4 | DRIVE : Drive strength. | RW | 0x1 |
| | Enumerated values: | | |
| | 0x0 → 2MA | | |
| | 0x1 → 4MA | | |
| | 0x2 → 8MA | | |
| | 0x3 → 12MA | | |
| 3 | PUE : Pull up enable | RW | 0x0 |
| 2 | PDE : Pull down enable | RW | 0x1 |
| 1 | SCHMITT : Enable schmitt trigger | RW | 0x1 |
| 0 | SLEWFAST : Slew rate control. 1 = Fast, 0 = Slow | RW | 0x0 |

PADS_BANK0: GPIO28 Register

Offset: 0x74

Table 881. GPIO28 Register

| Bits | Description | Type | Reset |
|------|---|------|-------|
| 31:9 | Reserved. | - | - |
| 8 | ISO : Pad isolation control. Remove this once the pad is configured by software. | RW | 0x1 |
| 7 | OD : Output disable. Has priority over output enable from peripherals | RW | 0x0 |
| 6 | IE : Input enable | RW | 0x0 |
| 5:4 | DRIVE : Drive strength. | RW | 0x1 |
| | Enumerated values: | | |
| | 0x0 → 2MA | | |
| | 0x1 → 4MA | | |
| | 0x2 → 8MA | | |
| | 0x3 → 12MA | | |
| 3 | PUE : Pull up enable | RW | 0x0 |
| 2 | PDE : Pull down enable | RW | 0x1 |
| 1 | SCHMITT : Enable schmitt trigger | RW | 0x1 |
| 0 | SLEWFAST : Slew rate control. 1 = Fast, 0 = Slow | RW | 0x0 |

PADS_BANK0: GPIO29 Register

Offset: 0x78

Table 882. GPIO29 Register

| Bits | Description | Type | Reset |
|------|---|------|-------|
| 31:9 | Reserved. | - | - |
| 8 | ISO : Pad isolation control. Remove this once the pad is configured by software. | RW | 0x1 |
| 7 | OD : Output disable. Has priority over output enable from peripherals | RW | 0x0 |
| 6 | IE : Input enable | RW | 0x0 |
| 5:4 | DRIVE : Drive strength. | RW | 0x1 |
| | Enumerated values: | | |
| | 0x0 → 2MA | | |
| | 0x1 → 4MA | | |
| | 0x2 → 8MA | | |
| | 0x3 → 12MA | | |
| 3 | PUE : Pull up enable | RW | 0x0 |
| 2 | PDE : Pull down enable | RW | 0x1 |
| 1 | SCHMITT : Enable schmitt trigger | RW | 0x1 |
| 0 | SLEWFAST : Slew rate control. 1 = Fast, 0 = Slow | RW | 0x0 |

PADS_BANK0: GPIO30 Register

Offset: 0x7c

Table 883. GPIO30 Register

| Bits | Description | Type | Reset |
|------|---|------|-------|
| 31:9 | Reserved. | - | - |
| 8 | ISO : Pad isolation control. Remove this once the pad is configured by software. | RW | 0x1 |
| 7 | OD : Output disable. Has priority over output enable from peripherals | RW | 0x0 |
| 6 | IE : Input enable | RW | 0x0 |
| 5:4 | DRIVE : Drive strength. | RW | 0x1 |
| | Enumerated values: | | |
| | 0x0 → 2MA | | |
| | 0x1 → 4MA | | |
| | 0x2 → 8MA | | |
| | 0x3 → 12MA | | |
| 3 | PUE : Pull up enable | RW | 0x0 |
| 2 | PDE : Pull down enable | RW | 0x1 |
| 1 | SCHMITT : Enable schmitt trigger | RW | 0x1 |
| 0 | SLEWFAST : Slew rate control. 1 = Fast, 0 = Slow | RW | 0x0 |

PADS_BANK0: GPIO31 Register

Offset: 0x80

Table 884. GPIO31 Register

| Bits | Description | Type | Reset |
|------|---|------|-------|
| 31:9 | Reserved. | - | - |
| 8 | ISO : Pad isolation control. Remove this once the pad is configured by software. | RW | 0x1 |
| 7 | OD : Output disable. Has priority over output enable from peripherals | RW | 0x0 |
| 6 | IE : Input enable | RW | 0x0 |
| 5:4 | DRIVE : Drive strength. | RW | 0x1 |
| | Enumerated values: | | |
| | 0x0 → 2MA | | |
| | 0x1 → 4MA | | |
| | 0x2 → 8MA | | |
| | 0x3 → 12MA | | |
| 3 | PUE : Pull up enable | RW | 0x0 |
| 2 | PDE : Pull down enable | RW | 0x1 |
| 1 | SCHMITT : Enable schmitt trigger | RW | 0x1 |
| 0 | SLEWFAST : Slew rate control. 1 = Fast, 0 = Slow | RW | 0x0 |

PADS_BANK0: GPIO32 Register

Offset: 0x84

Table 885. GPIO32 Register

| Bits | Description | Type | Reset |
|------|---|------|-------|
| 31:9 | Reserved. | - | - |
| 8 | ISO : Pad isolation control. Remove this once the pad is configured by software. | RW | 0x1 |
| 7 | OD : Output disable. Has priority over output enable from peripherals | RW | 0x0 |
| 6 | IE : Input enable | RW | 0x0 |
| 5:4 | DRIVE : Drive strength. | RW | 0x1 |
| | Enumerated values: | | |
| | 0x0 → 2MA | | |
| | 0x1 → 4MA | | |
| | 0x2 → 8MA | | |
| | 0x3 → 12MA | | |
| 3 | PUE : Pull up enable | RW | 0x0 |
| 2 | PDE : Pull down enable | RW | 0x1 |
| 1 | SCHMITT : Enable schmitt trigger | RW | 0x1 |
| 0 | SLEWFAST : Slew rate control. 1 = Fast, 0 = Slow | RW | 0x0 |

PADS_BANK0: GPIO33 Register

Offset: 0x88

Table 886. GPIO33 Register

| Bits | Description | Type | Reset |
|------|---|------|-------|
| 31:9 | Reserved. | - | - |
| 8 | ISO : Pad isolation control. Remove this once the pad is configured by software. | RW | 0x1 |
| 7 | OD : Output disable. Has priority over output enable from peripherals | RW | 0x0 |
| 6 | IE : Input enable | RW | 0x0 |
| 5:4 | DRIVE : Drive strength. | RW | 0x1 |
| | Enumerated values: | | |
| | 0x0 → 2MA | | |
| | 0x1 → 4MA | | |
| | 0x2 → 8MA | | |
| | 0x3 → 12MA | | |
| 3 | PUE : Pull up enable | RW | 0x0 |
| 2 | PDE : Pull down enable | RW | 0x1 |
| 1 | SCHMITT : Enable schmitt trigger | RW | 0x1 |
| 0 | SLEWFAST : Slew rate control. 1 = Fast, 0 = Slow | RW | 0x0 |

PADS_BANK0: GPIO34 Register

Offset: 0x8c

Table 887. GPIO34 Register

| Bits | Description | Type | Reset |
|------|---|------|-------|
| 31:9 | Reserved. | - | - |
| 8 | ISO : Pad isolation control. Remove this once the pad is configured by software. | RW | 0x1 |
| 7 | OD : Output disable. Has priority over output enable from peripherals | RW | 0x0 |
| 6 | IE : Input enable | RW | 0x0 |
| 5:4 | DRIVE : Drive strength. | RW | 0x1 |
| | Enumerated values: | | |
| | 0x0 → 2MA | | |
| | 0x1 → 4MA | | |
| | 0x2 → 8MA | | |
| | 0x3 → 12MA | | |
| 3 | PUE : Pull up enable | RW | 0x0 |
| 2 | PDE : Pull down enable | RW | 0x1 |
| 1 | SCHMITT : Enable schmitt trigger | RW | 0x1 |
| 0 | SLEWFAST : Slew rate control. 1 = Fast, 0 = Slow | RW | 0x0 |

PADS_BANK0: GPIO35 Register

Offset: 0x90

Table 888. GPIO35 Register

| Bits | Description | Type | Reset |
|------|---|------|-------|
| 31:9 | Reserved. | - | - |
| 8 | ISO : Pad isolation control. Remove this once the pad is configured by software. | RW | 0x1 |
| 7 | OD : Output disable. Has priority over output enable from peripherals | RW | 0x0 |
| 6 | IE : Input enable | RW | 0x0 |
| 5:4 | DRIVE : Drive strength. | RW | 0x1 |
| | Enumerated values: | | |
| | 0x0 → 2MA | | |
| | 0x1 → 4MA | | |
| | 0x2 → 8MA | | |
| | 0x3 → 12MA | | |
| 3 | PUE : Pull up enable | RW | 0x0 |
| 2 | PDE : Pull down enable | RW | 0x1 |
| 1 | SCHMITT : Enable schmitt trigger | RW | 0x1 |
| 0 | SLEWFAST : Slew rate control. 1 = Fast, 0 = Slow | RW | 0x0 |

PADS_BANK0: GPIO36 Register

Offset: 0x94

Table 889. GPIO36 Register

| Bits | Description | Type | Reset |
|------|---|------|-------|
| 31:9 | Reserved. | - | - |
| 8 | ISO : Pad isolation control. Remove this once the pad is configured by software. | RW | 0x1 |
| 7 | OD : Output disable. Has priority over output enable from peripherals | RW | 0x0 |
| 6 | IE : Input enable | RW | 0x0 |
| 5:4 | DRIVE : Drive strength. | RW | 0x1 |
| | Enumerated values: | | |
| | 0x0 → 2MA | | |
| | 0x1 → 4MA | | |
| | 0x2 → 8MA | | |
| | 0x3 → 12MA | | |
| 3 | PUE : Pull up enable | RW | 0x0 |
| 2 | PDE : Pull down enable | RW | 0x1 |
| 1 | SCHMITT : Enable schmitt trigger | RW | 0x1 |
| 0 | SLEWFAST : Slew rate control. 1 = Fast, 0 = Slow | RW | 0x0 |

PADS_BANK0: GPIO37 Register

Offset: 0x98

Table 890. GPIO37 Register

| Bits | Description | Type | Reset |
|------|---|------|-------|
| 31:9 | Reserved. | - | - |
| 8 | ISO : Pad isolation control. Remove this once the pad is configured by software. | RW | 0x1 |
| 7 | OD : Output disable. Has priority over output enable from peripherals | RW | 0x0 |
| 6 | IE : Input enable | RW | 0x0 |
| 5:4 | DRIVE : Drive strength. | RW | 0x1 |
| | Enumerated values: | | |
| | 0x0 → 2MA | | |
| | 0x1 → 4MA | | |
| | 0x2 → 8MA | | |
| | 0x3 → 12MA | | |
| 3 | PUE : Pull up enable | RW | 0x0 |
| 2 | PDE : Pull down enable | RW | 0x1 |
| 1 | SCHMITT : Enable schmitt trigger | RW | 0x1 |
| 0 | SLEWFAST : Slew rate control. 1 = Fast, 0 = Slow | RW | 0x0 |

PADS_BANK0: GPIO38 Register

Offset: 0x9c

Table 891. GPIO38 Register

| Bits | Description | Type | Reset |
|------|---|------|-------|
| 31:9 | Reserved. | - | - |
| 8 | ISO : Pad isolation control. Remove this once the pad is configured by software. | RW | 0x1 |
| 7 | OD : Output disable. Has priority over output enable from peripherals | RW | 0x0 |
| 6 | IE : Input enable | RW | 0x0 |
| 5:4 | DRIVE : Drive strength. | RW | 0x1 |
| | Enumerated values: | | |
| | 0x0 → 2MA | | |
| | 0x1 → 4MA | | |
| | 0x2 → 8MA | | |
| | 0x3 → 12MA | | |
| 3 | PUE : Pull up enable | RW | 0x0 |
| 2 | PDE : Pull down enable | RW | 0x1 |
| 1 | SCHMITT : Enable schmitt trigger | RW | 0x1 |
| 0 | SLEWFAST : Slew rate control. 1 = Fast, 0 = Slow | RW | 0x0 |

PADS_BANK0: GPIO39 Register

Offset: 0xa0

Table 892. GPIO39 Register

| Bits | Description | Type | Reset |
|------|---|------|-------|
| 31:9 | Reserved. | - | - |
| 8 | ISO : Pad isolation control. Remove this once the pad is configured by software. | RW | 0x1 |
| 7 | OD : Output disable. Has priority over output enable from peripherals | RW | 0x0 |
| 6 | IE : Input enable | RW | 0x0 |
| 5:4 | DRIVE : Drive strength. | RW | 0x1 |
| | Enumerated values: | | |
| | 0x0 → 2MA | | |
| | 0x1 → 4MA | | |
| | 0x2 → 8MA | | |
| | 0x3 → 12MA | | |
| 3 | PUE : Pull up enable | RW | 0x0 |
| 2 | PDE : Pull down enable | RW | 0x1 |
| 1 | SCHMITT : Enable schmitt trigger | RW | 0x1 |
| 0 | SLEWFAST : Slew rate control. 1 = Fast, 0 = Slow | RW | 0x0 |

PADS_BANK0: GPIO40 Register

Offset: 0xa4

Table 893. GPIO40 Register

| Bits | Description | Type | Reset |
|------|---|------|-------|
| 31:9 | Reserved. | - | - |
| 8 | ISO : Pad isolation control. Remove this once the pad is configured by software. | RW | 0x1 |
| 7 | OD : Output disable. Has priority over output enable from peripherals | RW | 0x0 |
| 6 | IE : Input enable | RW | 0x0 |
| 5:4 | DRIVE : Drive strength. | RW | 0x1 |
| | Enumerated values: | | |
| | 0x0 → 2MA | | |
| | 0x1 → 4MA | | |
| | 0x2 → 8MA | | |
| | 0x3 → 12MA | | |
| 3 | PUE : Pull up enable | RW | 0x0 |
| 2 | PDE : Pull down enable | RW | 0x1 |
| 1 | SCHMITT : Enable schmitt trigger | RW | 0x1 |
| 0 | SLEWFAST : Slew rate control. 1 = Fast, 0 = Slow | RW | 0x0 |

PADS_BANK0: GPIO41 Register

Offset: 0xa8

Table 894. GPIO41 Register

| Bits | Description | Type | Reset |
|------|---|------|-------|
| 31:9 | Reserved. | - | - |
| 8 | ISO : Pad isolation control. Remove this once the pad is configured by software. | RW | 0x1 |
| 7 | OD : Output disable. Has priority over output enable from peripherals | RW | 0x0 |
| 6 | IE : Input enable | RW | 0x0 |
| 5:4 | DRIVE : Drive strength. | RW | 0x1 |
| | Enumerated values: | | |
| | 0x0 → 2MA | | |
| | 0x1 → 4MA | | |
| | 0x2 → 8MA | | |
| | 0x3 → 12MA | | |
| 3 | PUE : Pull up enable | RW | 0x0 |
| 2 | PDE : Pull down enable | RW | 0x1 |
| 1 | SCHMITT : Enable schmitt trigger | RW | 0x1 |
| 0 | SLEWFAST : Slew rate control. 1 = Fast, 0 = Slow | RW | 0x0 |

PADS_BANK0: GPIO42 Register

Offset: 0xac

Table 895. GPIO42 Register

| Bits | Description | Type | Reset |
|------|---|------|-------|
| 31:9 | Reserved. | - | - |
| 8 | ISO : Pad isolation control. Remove this once the pad is configured by software. | RW | 0x1 |
| 7 | OD : Output disable. Has priority over output enable from peripherals | RW | 0x0 |
| 6 | IE : Input enable | RW | 0x0 |
| 5:4 | DRIVE : Drive strength. | RW | 0x1 |
| | Enumerated values: | | |
| | 0x0 → 2MA | | |
| | 0x1 → 4MA | | |
| | 0x2 → 8MA | | |
| | 0x3 → 12MA | | |
| 3 | PUE : Pull up enable | RW | 0x0 |
| 2 | PDE : Pull down enable | RW | 0x1 |
| 1 | SCHMITT : Enable schmitt trigger | RW | 0x1 |
| 0 | SLEWFAST : Slew rate control. 1 = Fast, 0 = Slow | RW | 0x0 |

PADS_BANK0: GPIO43 Register

Offset: 0xb0

Table 896. GPIO43 Register

| Bits | Description | Type | Reset |
|------|---|------|-------|
| 31:9 | Reserved. | - | - |
| 8 | ISO : Pad isolation control. Remove this once the pad is configured by software. | RW | 0x1 |
| 7 | OD : Output disable. Has priority over output enable from peripherals | RW | 0x0 |
| 6 | IE : Input enable | RW | 0x0 |
| 5:4 | DRIVE : Drive strength. | RW | 0x1 |
| | Enumerated values: | | |
| | 0x0 → 2MA | | |
| | 0x1 → 4MA | | |
| | 0x2 → 8MA | | |
| | 0x3 → 12MA | | |
| 3 | PUE : Pull up enable | RW | 0x0 |
| 2 | PDE : Pull down enable | RW | 0x1 |
| 1 | SCHMITT : Enable schmitt trigger | RW | 0x1 |
| 0 | SLEWFAST : Slew rate control. 1 = Fast, 0 = Slow | RW | 0x0 |

PADS_BANK0: GPIO44 Register

Offset: 0xb4

Table 897. GPIO44 Register

| Bits | Description | Type | Reset |
|------|---|------|-------|
| 31:9 | Reserved. | - | - |
| 8 | ISO : Pad isolation control. Remove this once the pad is configured by software. | RW | 0x1 |
| 7 | OD : Output disable. Has priority over output enable from peripherals | RW | 0x0 |
| 6 | IE : Input enable | RW | 0x0 |
| 5:4 | DRIVE : Drive strength. | RW | 0x1 |
| | Enumerated values: | | |
| | 0x0 → 2MA | | |
| | 0x1 → 4MA | | |
| | 0x2 → 8MA | | |
| | 0x3 → 12MA | | |
| 3 | PUE : Pull up enable | RW | 0x0 |
| 2 | PDE : Pull down enable | RW | 0x1 |
| 1 | SCHMITT : Enable schmitt trigger | RW | 0x1 |
| 0 | SLEWFAST : Slew rate control. 1 = Fast, 0 = Slow | RW | 0x0 |

PADS_BANK0: GPIO45 Register

Offset: 0xb8

Table 898. GPIO45 Register

| Bits | Description | Type | Reset |
|------|---|------|-------|
| 31:9 | Reserved. | - | - |
| 8 | ISO : Pad isolation control. Remove this once the pad is configured by software. | RW | 0x1 |
| 7 | OD : Output disable. Has priority over output enable from peripherals | RW | 0x0 |
| 6 | IE : Input enable | RW | 0x0 |
| 5:4 | DRIVE : Drive strength. | RW | 0x1 |
| | Enumerated values: | | |
| | 0x0 → 2MA | | |
| | 0x1 → 4MA | | |
| | 0x2 → 8MA | | |
| | 0x3 → 12MA | | |
| 3 | PUE : Pull up enable | RW | 0x0 |
| 2 | PDE : Pull down enable | RW | 0x1 |
| 1 | SCHMITT : Enable schmitt trigger | RW | 0x1 |
| 0 | SLEWFAST : Slew rate control. 1 = Fast, 0 = Slow | RW | 0x0 |

PADS_BANK0: GPIO46 Register

Offset: 0xbc

Table 899. GPIO46 Register

| Bits | Description | Type | Reset |
|------|---|------|-------|
| 31:9 | Reserved. | - | - |
| 8 | ISO : Pad isolation control. Remove this once the pad is configured by software. | RW | 0x1 |
| 7 | OD : Output disable. Has priority over output enable from peripherals | RW | 0x0 |
| 6 | IE : Input enable | RW | 0x0 |
| 5:4 | DRIVE : Drive strength. | RW | 0x1 |
| | Enumerated values: | | |
| | 0x0 → 2MA | | |
| | 0x1 → 4MA | | |
| | 0x2 → 8MA | | |
| | 0x3 → 12MA | | |
| 3 | PUE : Pull up enable | RW | 0x0 |
| 2 | PDE : Pull down enable | RW | 0x1 |
| 1 | SCHMITT : Enable schmitt trigger | RW | 0x1 |
| 0 | SLEWFAST : Slew rate control. 1 = Fast, 0 = Slow | RW | 0x0 |

PADS_BANK0: GPIO47 Register

Offset: 0xc0

Table 900. GPIO47 Register

| Bits | Description | Type | Reset |
|------|---|------|-------|
| 31:9 | Reserved. | - | - |
| 8 | ISO : Pad isolation control. Remove this once the pad is configured by software. | RW | 0x1 |
| 7 | OD : Output disable. Has priority over output enable from peripherals | RW | 0x0 |
| 6 | IE : Input enable | RW | 0x0 |
| 5:4 | DRIVE : Drive strength. | RW | 0x1 |
| | Enumerated values: | | |
| | 0x0 → 2MA | | |
| | 0x1 → 4MA | | |
| | 0x2 → 8MA | | |
| | 0x3 → 12MA | | |
| 3 | PUE : Pull up enable | RW | 0x0 |
| 2 | PDE : Pull down enable | RW | 0x1 |
| 1 | SCHMITT : Enable schmitt trigger | RW | 0x1 |
| 0 | SLEWFAST : Slew rate control. 1 = Fast, 0 = Slow | RW | 0x0 |

PADS_BANK0: SWCLK Register

Offset: 0xc4

Table 901. SWCLK Register

| Bits | Description | Type | Reset |
|------|---|------|-------|
| 31:9 | Reserved. | - | - |
| 8 | ISO : Pad isolation control. Remove this once the pad is configured by software. | RW | 0x0 |
| 7 | OD : Output disable. Has priority over output enable from peripherals | RW | 0x0 |
| 6 | IE : Input enable | RW | 0x1 |
| 5:4 | DRIVE : Drive strength. | RW | 0x1 |
| | Enumerated values: | | |
| | 0x0 → 2MA | | |
| | 0x1 → 4MA | | |
| | 0x2 → 8MA | | |
| | 0x3 → 12MA | | |
| 3 | PUE : Pull up enable | RW | 0x1 |
| 2 | PDE : Pull down enable | RW | 0x0 |
| 1 | SCHMITT : Enable schmitt trigger | RW | 0x1 |
| 0 | SLEWFAST : Slew rate control. 1 = Fast, 0 = Slow | RW | 0x0 |

PADS_BANK0: SWD Register

Offset: 0xc8

Table 902. SWD Register

| Bits | Description | Type | Reset |
|------|---|------|-------|
| 31:9 | Reserved. | - | - |
| 8 | ISO : Pad isolation control. Remove this once the pad is configured by software. | RW | 0x0 |
| 7 | OD : Output disable. Has priority over output enable from peripherals | RW | 0x0 |
| 6 | IE : Input enable | RW | 0x1 |
| 5:4 | DRIVE : Drive strength. | RW | 0x1 |
| | Enumerated values: | | |
| | 0x0 → 2MA | | |
| | 0x1 → 4MA | | |
| | 0x2 → 8MA | | |
| | 0x3 → 12MA | | |
| 3 | PUE : Pull up enable | RW | 0x1 |
| 2 | PDE : Pull down enable | RW | 0x0 |
| 1 | SCHMITT : Enable schmitt trigger | RW | 0x1 |
| 0 | SLEWFAST : Slew rate control. 1 = Fast, 0 = Slow | RW | 0x0 |

9.11.4. Pad Control - QSPI Bank

The QSPI Bank Pad Control registers start at a base address of `0x40040000` (defined as `PADS_QSPI_BASE` in SDK).

Table 903. List of PADS_QSPI registers

| Offset | Name | Info |
|--------|--------------------------------|----------------------------------|
| 0x00 | VOLTAGE_SELECT | Voltage select. Per bank control |
| 0x04 | GPIO_QSPI_SCLK | |
| 0x08 | GPIO_QSPI_SD0 | |
| 0x0c | GPIO_QSPI_SD1 | |
| 0x10 | GPIO_QSPI_SD2 | |
| 0x14 | GPIO_QSPI_SD3 | |
| 0x18 | GPIO_QSPI_SS | |

PADS_QSPI: VOLTAGE_SELECT Register

Offset: 0x00

Table 904. VOLTAGE_SELECT Register

| Bits | Description | Type | Reset |
|------|--|------|-------|
| 31:1 | Reserved. | - | - |
| 0 | Voltage select. Per bank control | RW | 0x0 |
| | Enumerated values: | | |
| | 0x0 → 3V3: Set voltage to 3.3V (DVDD >= 2V5) | | |
| | 0x1 → 1V8: Set voltage to 1.8V (DVDD <= 1V8) | | |

PADS_QSPI: GPIO_QSPI_SCLK Register

Offset: 0x04

Table 905.
GPIO_QSPI_SCLK
Register

| Bits | Description | Type | Reset |
|------|---|------|-------|
| 31:9 | Reserved. | - | - |
| 8 | ISO : Pad isolation control. Remove this once the pad is configured by software. | RW | 0x1 |
| 7 | OD : Output disable. Has priority over output enable from peripherals | RW | 0x0 |
| 6 | IE : Input enable | RW | 0x1 |
| 5:4 | DRIVE : Drive strength. | RW | 0x1 |
| | Enumerated values: | | |
| | 0x0 → 2MA | | |
| | 0x1 → 4MA | | |
| | 0x2 → 8MA | | |
| | 0x3 → 12MA | | |
| 3 | PUE : Pull up enable | RW | 0x0 |
| 2 | PDE : Pull down enable | RW | 0x1 |
| 1 | SCHMITT : Enable schmitt trigger | RW | 0x1 |
| 0 | SLEWFAST : Slew rate control. 1 = Fast, 0 = Slow | RW | 0x0 |

PADS_QSPI: GPIO_QSPI_SD0 Register

Offset: 0x08

Table 906.
GPIO_QSPI_SD0
Register

| Bits | Description | Type | Reset |
|------|---|------|-------|
| 31:9 | Reserved. | - | - |
| 8 | ISO : Pad isolation control. Remove this once the pad is configured by software. | RW | 0x1 |
| 7 | OD : Output disable. Has priority over output enable from peripherals | RW | 0x0 |
| 6 | IE : Input enable | RW | 0x1 |
| 5:4 | DRIVE : Drive strength. | RW | 0x1 |
| | Enumerated values: | | |
| | 0x0 → 2MA | | |
| | 0x1 → 4MA | | |
| | 0x2 → 8MA | | |
| | 0x3 → 12MA | | |
| 3 | PUE : Pull up enable | RW | 0x0 |
| 2 | PDE : Pull down enable | RW | 0x1 |
| 1 | SCHMITT : Enable schmitt trigger | RW | 0x1 |
| 0 | SLEWFAST : Slew rate control. 1 = Fast, 0 = Slow | RW | 0x0 |

PADS_QSPI: GPIO_QSPI_SD1 Register

Offset: 0x0c

Table 907.
GPIO_QSPI_SD1
Register

| Bits | Description | Type | Reset |
|------|---|------|-------|
| 31:9 | Reserved. | - | - |
| 8 | ISO : Pad isolation control. Remove this once the pad is configured by software. | RW | 0x1 |
| 7 | OD : Output disable. Has priority over output enable from peripherals | RW | 0x0 |
| 6 | IE : Input enable | RW | 0x1 |
| 5:4 | DRIVE : Drive strength. | RW | 0x1 |
| | Enumerated values: | | |
| | 0x0 → 2MA | | |
| | 0x1 → 4MA | | |
| | 0x2 → 8MA | | |
| | 0x3 → 12MA | | |
| 3 | PUE : Pull up enable | RW | 0x0 |
| 2 | PDE : Pull down enable | RW | 0x1 |
| 1 | SCHMITT : Enable schmitt trigger | RW | 0x1 |
| 0 | SLEWFAST : Slew rate control. 1 = Fast, 0 = Slow | RW | 0x0 |

PADS_QSPI: GPIO_QSPI_SD2 Register

Offset: 0x10

Table 908.
GPIO_QSPI_SD2
Register

| Bits | Description | Type | Reset |
|------|---|------|-------|
| 31:9 | Reserved. | - | - |
| 8 | ISO : Pad isolation control. Remove this once the pad is configured by software. | RW | 0x1 |
| 7 | OD : Output disable. Has priority over output enable from peripherals | RW | 0x0 |
| 6 | IE : Input enable | RW | 0x1 |
| 5:4 | DRIVE : Drive strength. | RW | 0x1 |
| | Enumerated values: | | |
| | 0x0 → 2MA | | |
| | 0x1 → 4MA | | |
| | 0x2 → 8MA | | |
| | 0x3 → 12MA | | |
| 3 | PUE : Pull up enable | RW | 0x1 |
| 2 | PDE : Pull down enable | RW | 0x0 |
| 1 | SCHMITT : Enable schmitt trigger | RW | 0x1 |
| 0 | SLEWFAST : Slew rate control. 1 = Fast, 0 = Slow | RW | 0x0 |

PADS_QSPI: GPIO_QSPI_SD3 Register

Offset: 0x14

Table 909.
GPIO_QSPI_SD3
Register

| Bits | Description | Type | Reset |
|------|---|------|-------|
| 31:9 | Reserved. | - | - |
| 8 | ISO : Pad isolation control. Remove this once the pad is configured by software. | RW | 0x1 |
| 7 | OD : Output disable. Has priority over output enable from peripherals | RW | 0x0 |
| 6 | IE : Input enable | RW | 0x1 |
| 5:4 | DRIVE : Drive strength. | RW | 0x1 |
| | Enumerated values: | | |
| | 0x0 → 2MA | | |
| | 0x1 → 4MA | | |
| | 0x2 → 8MA | | |
| | 0x3 → 12MA | | |
| 3 | PUE : Pull up enable | RW | 0x1 |
| 2 | PDE : Pull down enable | RW | 0x0 |
| 1 | SCHMITT : Enable schmitt trigger | RW | 0x1 |
| 0 | SLEWFAST : Slew rate control. 1 = Fast, 0 = Slow | RW | 0x0 |

PADS_QSPI: GPIO_QSPI_SS Register

Offset: 0x18

Table 910.
GPIO_QSPI_SS
Register

| Bits | Description | Type | Reset |
|------|---|------|-------|
| 31:9 | Reserved. | - | - |
| 8 | ISO : Pad isolation control. Remove this once the pad is configured by software. | RW | 0x1 |
| 7 | OD : Output disable. Has priority over output enable from peripherals | RW | 0x0 |
| 6 | IE : Input enable | RW | 0x1 |
| 5:4 | DRIVE : Drive strength. | RW | 0x1 |
| | Enumerated values: | | |
| | 0x0 → 2MA | | |
| | 0x1 → 4MA | | |
| | 0x2 → 8MA | | |
| | 0x3 → 12MA | | |
| 3 | PUE : Pull up enable | RW | 0x1 |
| 2 | PDE : Pull down enable | RW | 0x0 |
| 1 | SCHMITT : Enable schmitt trigger | RW | 0x1 |
| 0 | SLEWFAST : Slew rate control. 1 = Fast, 0 = Slow | RW | 0x0 |

Chapter 10. Security

This chapter describes the RP2350 security model and the hardware that implements it. This chapter contains two separate overviews: one for Arm, and one for RISC-V. The architectures have distinct security features and levels of bootrom support.

10.1. Overview (Arm)

RP2350 provides hardware and bootrom security features for three purposes:

1. Prevent unauthorised code from running on the device
2. Prevent unauthorised reading of user code and data
3. Isolate trusted and untrusted software, running concurrently on the device, from one another

Point 1 is referred to in this datasheet as **secure boot**. Secure boot is a prerequisite to points two and three because running unauthorised code on the device allows that code to access device internals. The bootrom secure boot implementation and related hardware security features implement the root of trust for secure RP2350 applications; bootrom contents are fixed at design time and immutable.

Point 2 is referred to in this datasheet as **encrypted boot**. Encrypted boot is an additional layer of protection which makes it more difficult to clone devices, or dump and reverse-engineer device firmware. Encrypted boot is implemented using a signed decryption stage prepended to a binary as a post-build step. Encrypted boot stores decryption keys in on-device OTP memory, which can be locked down after use.

Point 3 allows applications to enforce internal security boundaries such that one part of an application being compromised does not allow access to critical hardware, such as the voltage regulator or protected OTP storage used for cryptographic keys.

Hardware features such as the glitch detector and redundancy coprocessor mitigate common classes of fault injection attacks and help maintain boot integrity, even when an attacker has physical access.

10.1.1. Secure boot

You can permanently alter blank RP2350 devices to restrict code execution to only your own code. With further alteration, you can revoke the ability to run older software versions.

The RP2350 bootrom uses a cryptographic **signature** to distinguish authentic from inauthentic binaries. A signature is a hash of the binary signed with the user's private key. You can include signatures in binary images compiled for RP2350 devices. Signatures use the SHA-256 hash algorithm and secp256k1 ECDSA elliptic curve cipher to authenticate binaries. The bootrom authenticates binaries using the following steps:

1. Calculate a SHA-256 hash using image code and data when loading the binary.
2. Verify the image's signature using the user's public key, which is also stored in the image.
3. Check the included, verified signature (from step 2) against the calculated SHA-256 hash value for the binary (from step 1).
4. Check the image's public key against a SHA-256 key fingerprint stored in OTP.

If both checks succeed, the bootrom assumes someone in possession of the private key registered by an OTP public key fingerprint calculated the same SHA-256 hash. Based on the properties of hash functions, the bootrom assumes that the binary contents have not been altered since the signature was generated. This proves that this is an authentic binary signed by the owner of the private key, so the bootrom will entertain the idea of running the binary.

The image may also have an anti-rollback version number (`rollback.major.minor`) that the bootrom checks against a

counter stored in OTP. The bootrom refuses to boot images with **rollback** versions lower than the OTP counter number, and automatically increments the OTP counter upon booting a higher version. This is useful if older binaries have known vulnerabilities, as installing a newer version automatically revokes the ability to downgrade to older versions. Incrementing the **major** and **minor** versions allows you to express a preference for newer, higher binary versions without blocking execution of older, lower-versioned binaries. For more discussion of bootrom anti-rollback support, see [Section 5.1.11](#).

RP2350 can boot from any of the following sources:

- Directly on external flash via execute-in-place (XIP)
- Loading into SRAM from external flash
- Loading into SRAM from user-specified OTP contents
- Loading into SRAM via USB or other serial bootloader
- Loading into SRAM via debugger

RP2350 enforces signatures on all of these boot media, with the exception of the debugger, when an external host has control of RP2350's processors and can completely skip execution of the bootrom. Disabling debug is part of the secure boot enable procedure outlined in [Section 10.5](#).

Although signatures *can* be enforced on a flash execute-in-place binary, we do not recommend it. With this boot media, flash contents can change between checks and execution. For example, an attacker could emulate a QSPI device using an FPGA or another microcontroller. Instead, load your complete application into SRAM and verify it in-place before execution. RP2350 has sufficient SRAM capacity to do this with most applications.

Pure-software secure boot implementations are susceptible to fault injection attacks when an attacker has physical access to the device, as is often the case for embedded hardware. Our very own Pico is a popular tool for voltage fault injection. Instead of potentially booting an unauthorised binary, the RP2350 glitch detectors ([Section 10.9](#)) and redundancy coprocessor ([Section 3.6.3](#)) mitigate fault injection attacks by detecting out-of-envelope operation and bringing the system to a safe halt. To enable the glitch detectors, set the **CRIT1.GLITCH_DETECTOR_ENABLE** OTP flag. The redundancy coprocessor is always used by the bootrom.

To learn more about how to enable secure boot on a blank RP2350 device, see [Section 10.5](#).

10.1.2. Encrypted boot

RP2350 contains 8 kB of OTP, which can be protected at 128-byte page granularity. This protection comes in the following forms:

- **hard locks**, which permanently revoke read or write access by Secure or Non-secure code
- **soft locks**, which revoke permissions only until the next reset of the OTP block.

Encrypted boot stores decryption keys in OTP, and protects the keys from later boot stages using soft locks.

RP2350 supports loading encrypted binaries from external flash into SRAM, which can then decrypt their own contents in-place. Many implementations are possible, but as a concrete example, this section describes the flash-resident binary encryption support provided by the SDK and **picotool**.

1. First, the developer should process a plain SRAM binary into an encrypted binary. To encrypt your binary, the SDK completes the following steps after a build:
 - a. Sign the payload binary using the **boot private key**, if you didn't already do this during the build.
 - b. Encrypt the payload binary using the **encryption key** (*not* the private key).
 - c. Append a small **decryption stage** to the binary that contains a modified copy of the payload's **IMAGE_DEF** (the original is unreadable, as it is encrypted).
 - d. Sign the decryption stage together with the encrypted contents, using the boot private key.

Encrypted binaries boot as packaged RAM binaries ([Section 5.1.10](#)), decrypting themselves in-place. To boot an

encrypted binary, the bootrom completes the following steps:

1. Loads the entire encrypted binary into SRAM.
2. Verifies the signature of the decryption stage, then jumps into the **decryption stage**, comprised of the following steps:
 - a. Reads the decryption key stored in OTP (this stage may soft-lock that OTP page until next boot).
 - b. Decrypts the encrypted binary payload using the decryption key.
 - c. Calls the `chain_image()` bootrom API (Section 5.4.8.2) on the decrypted region of SRAM.
3. Verifies the decrypted binary payload in the same manner as it verified the decryption stage, then jumps into the binary.

The decryption stage is not itself encrypted, but it is signed. Storing the decryption stage in the clear does not present additional risk because the source code for the decryption stage is open source and highly scrutinised. Without the decryption key, the encrypted payload cannot be read. Because the key only exists on-device, static analysis of the encrypted binary cannot recover it.

Resetting the OTP to reopen soft locks also resets the processors. Upon reset, the processors re-run the decryption stage and re-lock the page with the decryption key. The `BOOTDIS` register allows the bootrom to detect OTP resets and disable the watchdog and POWMAN boot vectors. This ensures that the decryption stage is not skipped and the key remains protected.

NOTE

The decryption stage is deliberately not included in the bootrom, so that it can be updated. The bootrom handles only public key cryptography, so there is no concern of power analysis attacks, but this reasoning does not apply to the decryption stage. Power analysis mitigations require iteration as techniques improve.

This scheme supports designs where the decryption key is accessible only to the decryption stage. When the decryption key is also required at runtime to read additional encrypted flash contents on-demand, processor security features and OTP page locks can restrict key access to a small subset of trusted code, such as a TF-M Secure Storage service.

In addition to software mitigations provided by the decryption stage, RP2350 supports randomising the frequency controls of its internal ring oscillator (Section 8.3) to make it more difficult to recover the system clock from power traces.

Encrypted execute-in-place is not supported in hardware, but the spare 32 MB cached XIP window (Section 4.4.1) can provide software-defined execute-in-place by trapping cache misses and pinning at the miss address. This may be used to transparently decrypt data on-demand from external flash.

10.1.3. Isolating trusted and untrusted software

In security- or safety-critical applications, access must be limited to those who need it. For example, a JPEG decode library should not be able to access the core voltage regulator and increase DVDD to 3.3 V (unless you are decompressing a very large JPEG). The Cortex-M33 processors contain hardware that separates two execution contexts, known as Secure and Non-secure, and enforces a number of invariants between them, such as:

- Non-secure code cannot access Secure memory
- The Secure context cannot execute Non-secure memory
- Non-secure code cannot directly access peripherals managed by Secure code
- Non-secure code cannot prevent Secure interrupts from being serviced

By making less of your code able to access your most critical hardware and data, you reduce the chance of accidentally exposing this critical hardware and data to the outside world. For a high-level explanation of how the Cortex-M33 implements this, see Section 10.2. For full details, see [Armv8-M Architecture Reference Manual](#).

To make the programming model of Secure and Non-secure software consistent, and to avoid overhead in Non-secure code, RP2350 extends Secure/Non-secure separation throughout the system. For example, DMA channels can be assigned for Secure or Non-secure use. Using this extended separation, Non-secure code can use DMA transfers to accelerate peripheral accesses without endangering security model invariants (such as Non-secure code using the DMA to read Secure memory).

The key hardware features that enable Secure/Non-secure separation throughout the system are:

- The Cortex-M33's implementation of the Secure and Non-secure states ([Section 10.2](#))
- The DMA's implementation of matching per-channel security states ([Section 10.7](#))
- The system-level bus access filtering implemented by ACCESSCTRL ([Section 10.6](#))
- Peripheral-level filtering, such as the per-GPIO access filtering of the SIO GPIO registers ([Section 3.1.1](#))

10.2. Processor security features (Arm)

The Cortex-M33 processors on RP2350 are configured with the following standard Arm security features:

- Support for the Armv8-M Security extension
- 8× security attribution unit (SAU) regions
- 8× Secure and 8× Non-secure memory protection unit (MPU) regions

These features are covered exhaustively in the [Armv8-M Architecture Reference Manual](#), the Cortex-M33 Technical Reference Manual, and the Cortex-M33 section of this datasheet ([Section 3.7](#)). This section gives a high-level overview of these features, as well as a description of the implementation-defined attribution unit included in RP2350.

10.2.1. Background

The Cortex-M33 processors on RP2350 support the Armv8-M Security Extension. Hardware in the processor maintains two separate execution contexts, called the Secure and Non-secure domains. Access to important data, such as cryptographic keys, or hardware, such as the system voltage regulator, can be limited to the Secure domain. Separating execution into these domains prevents Non-secure execution from interfering with Secure execution. When this datasheet uses the (capitalised) terms **Secure** and **Non-secure**, we refer to these two Arm security domains and the associated bus attributes.

Code running in the Non-secure domain is not necessarily malicious. Consider complex protocols and stacks like USB, whose implementation is *expected* to be easily-exploited and prone to fatal crashes. Restricting such software to the Non-secure domain helps isolate critical software from the consequences of those design decisions. The RP2350 bootrom, for example, runs all of its USB code in the Non-secure domain so the USB code does not have to be considered in the design of critical parts of the bootrom, such as boot signature enforcement.

At any given moment, an Armv8-M processor implementing the Security Extension is in *either* the Secure execution state or the Non-secure execution state. Based on the current state, the processor limits the executable memory regions and the memory regions accessible via load/store instructions. All of the processor's AHB accesses are tagged according to the state that originated them, so that peripherals and the system bus fabric itself can filter transfers based on security domain, for example, using the access control lists described in [Section 10.6](#).

An internal processor peripheral called the Security Attribution Unit (SAU) defines, from the processor's point of view, which address ranges are accessible to the Secure and Non-secure domains. The number of distinct address ranges which can be decoded by the SAU is limited, which is why system-level bus filters are provided for assigning peripherals to security domains.

The processor changes security state synchronously using special function calls between states. When an interrupt routed to the Secure domain occurs, the processor can also change security state asynchronously if in the Non-secure state, or vice versa (if enabled).

Both Cortex-M33 processors on RP2350 implement the security extension, so each processor maintains its own Secure

and Non-secure context. The Secure and Non-secure contexts on each core can communicate, for example using shared memory or the Secure/Non-secure SIO mailbox FIFOs. If the cores are used symmetrically (i.e. a shared dual-core Secure context, and a shared dual-core Non-secure context), software must synchronise the processor SAUs so that memory writable from a Non-secure context on one core is not executable in a Secure context on the other core. The DMA MPU, which supports the same region shape and count as the SAU, must also be kept synchronised with the processor SAUs.

It may be simpler to use the cores asymmetrically, implementing all Secure services on one core only. The `FORCE_CORE_NS` register can make all core 1 accesses appear Non-secure on the system bus, for the purpose of security filtering implemented in the fabric and peripherals, as well as for SIO registers banked over Secure/Non-secure. However, this does not affect PPB accesses. This does not affect core 1 internally, so it can still maintain its own Secure/Non-secure context. However, system hardware will consider all core 1 accesses Non-secure.

10.2.2. IDAU address map

The Cortex-M33 provides an implementation-defined attribution unit (IDAU) interface, which allows system implementers such as Raspberry Pi Ltd to augment the security attribution map defined by the SAU. The RP2350 IDAU is a hardwired address decode network, with no user configuration. Its address map is as follows:

| Start (hex) | End (hex) | Contents | IDAU Attribute |
|-------------|-----------|-----------------|---|
| 00000000 | 000042ff | Arm boot | Exempt |
| 00004300 | 00007dff | USB/RISC-V boot | Non-secure (instruction fetch), Exempt (load/store) |
| 00007e00 | 00007fff | Bootrom SGs | Secure and Non-secure-Callable |
| 10000000 | 1fffffff | XIP | Non-secure |
| 20000000 | 20081fff | SRAM | Non-secure |
| 40000000 | 4fffffff | APB | Exempt |
| 50000000 | 5fffffff | AHB | Exempt |
| d0000000 | dfffffff | SIO | Exempt |

Exempt regions are not checked by the processor against its current security state. Effectively, the processor considers these regions Secure when the processor is in the Secure state, and Non-secure when the processor is in the Non-secure state.

Peripherals are marked Exempt because you're expected to assign them to security domains using the controls in `ACCESSCTRL` (Section 10.6). This approach avoids relying on SAU regions, which are too limited for meaningful peripheral assignment, and eliminates the need for separate Secure and Non-secure peripheral mirrors, which can cause programming errors.

The SIO is marked Exempt because it is internally banked over Secure and Non-secure based on the bus access's security attribute, which generally matches the processor's current security state.

As peripherals are Exempt, RP2350 forbids processor instruction fetch from peripherals, by physically disconnecting the bus. Processors fail to fetch instructions from peripherals even if the default MPU permissions are overridden to allow execute permission. Exempt regions permit both Secure and Non-secure access, and TrustZone-M forbids the combination of Non-secure-writable and Secure-executable, so this is a necessary restriction. The same consideration does not apply to the bootrom as the ROM is physically immutable.

The first part of the bootrom is Exempt, because it contains routines expected to be called by both Secure and Non-secure software in cases where it may not be desirable for Non-secure code to elevate through a Secure Gateway. An example of this is the bootrom `memcpy()` implementation. Code in the Exempt ROM region is hardened against return-oriented programming (ROP) attacks using the redundancy coprocessor's stack canary instructions.

After a certain watermark, which may vary depending on ROM revision, the ROM becomes IDAU-Non-secure for the purpose of instruction fetch. If a Non-secure SAU region is placed over the bootrom (which is expected to be the case

in general, to get the correct NSC attribute on the Secure Gateway region), this part of the ROM becomes non-executable to Secure code. Consequently, this part of the bootrom is not ROP-hardened. This part of the ROM contains the NSBOOT (including USB boot) implementation, as well as a RISC-V Armv6-M emulator that can be used to emulate most of the bootrom on RISC-V processors. This region is only implemented on the instruction-side IDAU query: this is an implementation detail that improves timing on the load/store IDAU query, and does not have security implications (given the mask ROM is inherently unwritable) other than that the `tt` instruction will not be aware of this region.

The final 512 bytes of the bootrom has the **Secure, Non-secure-Callable** (NSC) attribute. This means it contains entry points for Non-secure calls into Secure code. Note that for this IDAU-defined attribute to take effect, the SAU-defined attribute for this range must also be NSC or lower. The recommended configuration is a single Non-secure SAU region covering the entirety of the bootrom. The bootrom exits into user code with the SAU enabled, and SAU region 7 active and covering the entirety of the bootrom.

XIP and SRAM are Non-secure in the IDAU, as they are expected to be divided using the SAU. When the SAU and IDAU differ, if the IDAU attribute is not Exempt, the processor takes whichever is greater out of the SAU and IDAU attribute, in the order Secure > Non-secure-Callable > Non-secure.

Addresses not listed in this table are not decoded by the system AHB crossbar, and will return bus faults if accessed. In these ranges, the ROM's IDAU map is mirrored every 32 kB up to `0xffffffff`. The remaining addresses in the IDAU are Non-secure.

10.3. Overview (RISC-V)

The RP2350 bootrom does not implement secure boot for RISC-V processors. Secure flash boot can still be implemented on RISC-V by storing secure boot code in OTP and disabling other boot media via the `BOOT_FLAGS0` row in OTP. However, this is not supported natively by the RP2350 bootrom.

The RISC-V processors on RP2350 implement Machine and User execution modes, and the standard Physical Memory Protection unit (PMP), which can be used to enforce internal security or safety boundaries. See [Section 10.4](#).

Non-processor-specific hardware security features, such as debug disable OTP flags and the glitch detectors, are functionally identically between Arm and RISC-V. However, the redundancy coprocessor (RCP) is not accessible from the RISC-V processors, as it uses a Cortex-M33-specific coprocessor interface.

10.4. Processor security features (RISC-V)

The Hazard3 processors on RP2350 implement the following standard RISC-V security features:

- Machine and User execution modes (M-mode and U-mode)
- The Physical Memory Protection unit (PMP)

M-mode has full access to the processor's internal status registers, but U-mode does not. The processor's bus accesses are tagged with its current execution mode and filtered by `ACCESSCTRL` bus filters, as described in [Section 10.6.2](#).

The processor starts in M-mode, and enters M-mode upon taking any trap (exception or interrupt). It enters U-mode only by executing a return-from-M-mode instruction, `mret`, with previous privilege set to U-mode. This means all interrupts initially target M-mode, but can be de-privileged to U-mode via software routing. Because stacks are software-managed on RISC-V, software cooperation is required to fully separate the two execution contexts, though there are enough hardware hooks to make this possible. For more details about interrupts and exceptions on RISC-V, and how they relate to the core's privilege levels, see [Section 3.8.4](#).

The PMP is a memory protection unit built into each RISC-V processor that filters every instruction execution address and every load/store address against a list of permission regions. The Hazard3 instances on RP2350 are configured with 8 PMP regions each, with a 32-byte granule and naturally-aligned power-of-2 region support only.

Additionally, there are 3 PMP-hardwired regions, which set a default User-mode RW permission on peripherals and a

User-mode RWX permission on the ROM. These are assigned region numbers 8 through 10. Because lower-numbered regions always take precedence, any dynamically-configured region can override these hardwired regions.

There are many more peripherals than PMP regions. In typical use-cases, the programmer assigns these peripherals blanket U-mode RW permissions. Because hardwired regions are much cheaper than dynamically-configured regions, it was more efficient to use hardwired regions. These regions are included because the peripherals are expected to be assigned using ACCESSCTRL, rather than PMP. The hardwired regions play a similar role to the Exempt regions in the RP2350 Cortex-M IDAU.

Together with the ACCESSCTRL filters, these PMP regions are an effective mechanism for partitioning between addresses accessible from U-mode and addresses not accessible from U-mode. Hazard3 includes one custom PMP feature, the `PMP_CFGM0` register, which allows the PMP to set **M-mode** permissions as well as U-mode without locking. This is useful for preventing accidental (but not deliberate) access to a memory region.

10.5. Secure boot enable procedure

To enable secure boot:

1. Program at least one public key fingerprint into OTP, starting at `BOOTKEY0_0`.
2. Mark programmed keys as valid by programming `BOOT_FLAGS1.KEY_VALID`.
3. Optionally, mark unused keys as invalid by programming `BOOT_FLAGS1.KEY_INVALID` – this is recommended to prevent a malicious actor installing their own boot keys at a later date.
 - `KEY_INVALID` takes precedence over `KEY_VALID`, which prevents more keys from being added later.
 - Program `KEY_INVALID` with additional bits to revoke keys at a later time.
4. Disable debugging by programming `CRIT1.DEBUG_DISABLE`, `CRIT1.SECURE_DEBUG_DISABLE`, or installing a debug key (Section 3.5.9.2).
5. Optionally, enable the glitch detector (Section 10.9) by programming `CRIT1.GLITCH_DETECTOR_ENABLE` and setting the desired sensitivity in `CRIT1.GLITCH_DETECTOR_SENS`.
6. Disable unused boot options such as USB and UART boot in `BOOT_FLAGS0`.
7. Enable secure boot, by programming `CRIT1.SECURE_BOOT_ENABLE`.

⚠ WARNING

This procedure is irreversible. Before programming, ensure that you are using the correct public key, correctly hashed. `picotool` supports programming keys into OTP from standard PEM files, performing the fingerprint hashing automatically. Programming the wrong key will make it impossible to run code on your device.

10.6. Access control

The access control registers (ACCESSCTRL) define permissions required to access GPIOs and bus endpoints such as peripherals and memory devices.

For each bus endpoint (for example, `PI00`), a bus access control register such as `PI00` controls which AHB5 managers can access it, and at which bus security levels. This register has further implications, such as access to the `RESETS` controls for that block. For a full explanation of the bus access control registers, see Section 10.6.2.

For each GPIO, including the QSPI and USB DP/DM pins, a bit in the `GPIO_NSMASK0` and `GPIO_NSMASK1` register can be set to make that GPIO accessible to both the Secure and Non-secure domains, or clear to make it Secure-only. This has system-wide implications, controlling:

- GPIO visibility to the Non-secure SIO

- Non-secure code access to that GPIO's IO muxing and pad control registers
- GPIO selection access to peripherals accessible only via Secure bus access

ACCESSCTRL registers are always fully readable by the processors in any security or privilege state, so that Non-secure software can enumerate the hardware it is allowed to access. However, writes to ACCESSCTRL are strictly controlled. Unprivileged writes, and writes from the DMA, return a bus fault. Writes from a Non-secure, Privileged (NSP) context are generally ignored, with the sole exception of the Non-secure, Unprivileged (NSU) bits in bus access control registers. The NSU bits are Non-secure-writable if and only if the NSP bit is set.

Writes can be further locked down using the LOCK register. This causes writes from specific managers to be ignored.

For a full list of effects, see [Section 10.6.1](#).

To reduce the risk of accidental writes, all ACCESSCTRL registers, except GPIO_NSMASK0 and GPIO_NSMASK1, require the 16-bit value 0xacce to be present in the most-significant 16 bits of the write data. To achieve this, OR the value 0xacce0000 with your write data. Atomic SET/CLR/XOR alias writes must also include this value. DMA writes are also forbidden, to avoid accidentally wiping permissions with a misconfigured DMA channel.

! IMPORTANT

Writes with the upper 16 bits not equal to 0xacce both fail and return a bus fault (instead of silently leaving the permissions unchanged).

Finally, the FORCE_CORE_NS register makes core 1's bus accesses appear to be Non-secure at system level. This supports schemes where all Secure services run on core 0, and therefore core 1 should not be able to access Secure hardware.

10.6.1. GPIO access control

The GPIO Non-secure access mask registers, GPIO_NSMASK0 and GPIO_NSMASK1, contain one bit per GPIO. The layout of these two registers matches the layout of the SIO GPIO registers ([Section 3.1.3](#)), including the positions of the QSPI and USB DM/DP bits. Each GPIO is accessible to Non-secure software if and only if the relevant GPIO_NSMASK bit is set. This prevents Non-secure software from interfering with or observing GPIOs used by Secure software.

All system-level GPIO controls, such as the IO and pad control registers, are shared by Secure and Non-secure code. However, access to these registers is filtered on a GPIO-by-GPIO basis according to the GPIO_NSMASK registers. This means that the same code can run unmodified in either a Secure or Non-secure context, and Secure software does not have to implement any interfaces for Non-secure GPIO access, provided that the appropriate GPIO security mask has been configured.

Setting a GPIO_NSMASK bit has the following effects on the corresponding GPIO:

- The relevant SIO GPIO register bit ([Section 3.1.3](#)) becomes accessible through bus access to the Non-secure SIO.
 - Otherwise the bit is read-only zero.
- The relevant SIO GPIO register bit becomes accessible to Non-secure code using GPIO coprocessor instructions ([Section 3.6.1](#)).
 - Otherwise the bit is read-only zero.
 - Non-secure code may execute GPIO coprocessor instructions if and only if coprocessor 0 is granted to Non-secure in NSACR, and enabled in the Non-secure PPB instance of the CPACR register.
- The relevant IO control register ([Section 9.11.1](#) or [Section 9.11.2](#)) becomes accessible to Non-secure code.
 - Otherwise it is read-only zero.
- GPIO functions for Secure-only peripherals can not be selected on this GPIO
 - Attempting to select such a peripheral will select the null function (0x1f) instead

- If a Secure-only peripheral is selected at the time that this GPIO is made Non-secure-accessible, then the selection will be changed to the null function.
- The relevant pad control register ([Section 9.11.3](#) or [Section 9.11.4](#)) becomes accessible to Non-secure code.
 - Otherwise it is read-only zero.
- Interrupts for this GPIO are routed to the Non-secure GPIO interrupts, `IO_IRQ_BANK0_NS` and `IO_IRQ_QSPI_NS`, rather than the default Secure interrupts, `IO_IRQ_BANK0` and `IO_IRQ_QSPI`. (See [Section 3.2](#) for the system IRQ listing.)
- The relevant GPIO interrupt control and status bits, e.g. `PROCO_INTS0`, become accessible to Non-secure code.
 - Otherwise they are read-only zero.
- The GPIO can be read by PIO instances which are Non-secure-accessible.
 - Otherwise it reads as zero.
 - Like the SIO, PIO can observe GPIOs even when not function-selected, so additional logic masks Secure-only GPIOs from Non-secure-accessible PIO instances

i NOTE

Due to [RP2350-E3](#), on RP2350A (QFN-60), access to the `PADS_BANK0` registers is controlled by the wrong bits of `GPIO_NSMASK`. On QFN-60 you must disable Non-secure access to the pads registers, and implement a software interface for Non-secure code to manipulate its assigned PADS registers.

10.6.2. Bus access control

The bus access control registers define which combinations of Secure/Non-secure and Privileged/Unprivileged are permitted to access each downstream bus port. This mechanism also assigns peripherals to security domains. Additionally, the bus access control registers define which upstream sources (processor 0/1, DMA or debugger) are permitted.

Hardware filters on the system bus ([Section 2.1](#)) check each access against the permission list for its destination. The filter shoots down accesses which do not meet the criteria specified in `ACCESSCTRL` register for that destination; the access does not reach its destination, and instead a bus error is returned directly from the bus fabric. There is no effect on the destination register, and no data is returned. Bus errors result in an exception on the offending processor, or an error flag raised on the offending DMA channel.

There are 8 bits in each register (for example the `ADC` register). The `SP`, `SU`, `NSP` and `NSU` bits correspond to the processor security state from which a bus transfer originated, or the security level of the originating DMA channel:

- The `SP` bit allows access from:
 - Privileged software running in the Secure domain on an Arm processor
 - Machine-mode software on a RISC-V processor
 - A DMA channel with a security level of `SP` (3)
- The `SU` bit must be set, in addition to the `SP` bit, to allow access from:
 - User (unprivileged) software running in the Secure domain on an Arm processor
 - A DMA channel with a security level of `SU` (2)
- The `NSP` bit allow access from:
 - Privileged software running in the Non-secure domain on an Arm processor
 - Privileged Arm software running in the Secure domain on core 1, when `FORCE_CORE_NS.CORE1` is set
 - Machine-mode RISC-V software running on core 1, when `FORCE_CORE_NS.CORE1` is set
 - A DMA channel with a security level of `NSP` (1)

- The **NSU** bit must be set, in addition to the **NSP** bit, to allow access from:
 - User (unprivileged) software running in the Non-secure domain on an Arm processor
 - User (unprivileged) Arm software running on core 1 when **FORCE_CORE_NS.CORE1** is set
 - User-mode software on a RISC-V processor
 - A DMA channel with a security level of **NSU** (0)

i NOTE

The security/privilege of AHB Mem-AP accesses are configurable, and have the same bus security/privilege level as load/stores from the corresponding security/privilege context on that processor. There is one AHB Mem-AP for each Arm processor.

i NOTE

RISC-V Debug-mode memory accesses have the same bus security/privilege level as Machine-mode software running on that processor, and RISC-V System Bus Access through the Debug Module has the same bus security/privilege level as Machine-mode software running on core 1.

The **DBG**, **DMA**, **CORE1** and **CORE0** bits must be set in addition to the relevant security/privilege bits, in order to allow access from a particular bus manager. The **DBG** bit corresponds to any of:

- Accesses from either Arm processor's AHB Mem-AP
- Accesses from either RISC-V core in Debug mode
- Accesses from RISC-V System Bus Access

Separating debug access controls from software-driven processor access means that, even with software locked out of a register block, the developer may still be able to access that block from the debugger.

Most bus access permission bits are Secure, Privileged-writable only. The sole exception is the **NSU** bit, which is also writable from a Non-secure, Privileged context if and only if the **NSP** bit in the same register is set. The intention is that once the Secure domain has granted Non-secure access, it is then up to Non-secure software to decide whether to grant Unprivileged access within the Non-secure domain.

10.6.2.1. Default permissions

Most bus endpoints default to Secure access only, from any master, but there are exceptions. The following default to fully open access (any combination of security/privilege) from any master (for example, because they are expected to be divided up by the processors' internal memory protection hardware):

- Boot ROM ([Section 4.1](#))
- XIP ([Section 4.4](#))
- SRAM ([Section 4.2](#))
- SYSINFO ([Section 12.15.1](#))

The following default to Secure, Privileged access (**SP**) only, from any manager:

- XIP_AUX (DMA FIFOs) ([Section 4.4.3](#))
- SHA-256 ([Section 12.13](#))

The following default to Secure, Privileged access (**SP**) only, with DMA access forbidden by default:

- POWMAN ([Chapter 6](#)), which includes power management and voltage regulator control registers
- True random number generator ([Section 12.12](#))

- Clock control registers ([Section 8.1](#))
- XOSC ([Section 8.2](#))
- ROSC ([Section 8.3](#))
- SYSCFG ([Section 12.15.2](#))
- PLLs ([Section 8.6](#))
- Tick generators ([Section 8.5](#))
- Watchdog ([Section 12.9](#))
- PSM ([Section 7.4](#))
- XIP control registers ([Section 4.4.5](#))
- QMI ([Section 12.14](#))
- CoreSight trace DMA FIFO
- CoreSight self-hosted debug window

Any bus endpoint not in any of the above lists defaults to Secure access only, from any manager,

10.6.2.2. Other effects of bus permissions

To avoid contradictory configurations such as a Secure-only peripheral being selected on a Non-secure-accessible GPIO, and to improve portability between Secure and Non-secure software, the bus access permission lists propagate to certain other system-level hardware:

- The reset controls for a given peripheral in the RESETS block ([Section 7.5](#)) are Non-secure-accessible if and only if the peripheral itself is Non-secure-accessible.
 - Non-secure access to the RESETS block itself must also be granted via the [RESETS](#) bus access register.
- Non-secure-inaccessible peripherals cannot be function-selected on Non-secure-accessible GPIOs. Attempting to do so selects the null GPIO function (`0x1f`).
- PIO blocks which are accessible to Non-secure, and those which are not, can not perform cross-PIO operations such as observing each other's interrupt flags.
- PIO blocks which are accessible to Non-secure can not read Secure-only GPIOs.
- DMA channels below the least-set effective permission bit (ignoring `SU` when `SP` is clear, and ignoring `NSU` when `NSP` is clear) are disconnected from that peripheral's DREQ signals.

10.6.2.3. Blocks without bus access control

There are four memory-mapped blocks which do not have bus access control registers in `ACCESSCTRL`:

- The Cortex-M PPB is internal to the processors, and is banked internally over Secure/Non-secure.
- The SIO is also banked internally over Secure/Non-secure access.
- `ACCESSCTRL` itself is always world-readable and has its own internal filtering for writes.
- Boot RAM is hardwired for Secure access only.

10.6.3. List of registers

The `ACCESSCTRL` registers start at a base address of `0x40060000` (defined as `ACCESSCTRL_BASE` in the SDK).

Table 911. List of ACCESSCTRL registers

| Offset | Name | Info |
|--------|---------------|---|
| 0x00 | LOCK | <p>Once a LOCK bit is written to 1, ACCESSCTRL silently ignores writes from that master. LOCK is writable only by a Secure, Privileged processor or debugger.</p> <p>LOCK bits are only writable when their value is zero. Once set, they can never be cleared, except by a full reset of ACCESSCTRL</p> <p>Setting the LOCK bit does not affect whether an access raises a bus error. Unprivileged writes, or writes from the DMA, will continue to raise bus errors. All other accesses will continue not to.</p> |
| 0x04 | FORCE_CORE_NS | <p>Force core 1's bus accesses to always be Non-secure, no matter the core's internal state.</p> <p>Useful for schemes where one core is designated as the Non-secure core, since some peripherals may filter individual registers internally based on security state but not on master ID.</p> |
| 0x08 | CFGRESET | <p>Write 1 to reset all ACCESSCTRL configuration, except for the LOCK and FORCE_CORE_NS registers.</p> <p>This bit is used in the RP2350 bootrom to quickly restore ACCESSCTRL to a known state during the boot path.</p> <p>Note that, like all registers in ACCESSCTRL, this register is not writable when the writer's corresponding LOCK bit is set, therefore a master which has been locked out of ACCESSCTRL can not use the CFGRESET register to disturb its contents.</p> |
| 0x0c | GPIO_NSMASK0 | <p>Control whether GPIO0...31 are accessible to Non-secure code. Writable only by a Secure, Privileged processor or debugger.</p> <p>0 → Secure access only</p> <p>1 → Secure + Non-secure access</p> |
| 0x10 | GPIO_NSMASK1 | <p>Control whether GPIO32..47 are accessible to Non-secure code, and whether QSPI and USB bitbang are accessible through the Non-secure SIO. Writable only by a Secure, Privileged processor or debugger.</p> |
| 0x14 | ROM | Control access to ROM. Defaults to fully open access. |
| 0x18 | XIP_MAIN | Control access to XIP_MAIN. Defaults to fully open access. |
| 0x1c | SRAM0 | Control access to SRAM0. Defaults to fully open access. |
| 0x20 | SRAM1 | Control access to SRAM1. Defaults to fully open access. |
| 0x24 | SRAM2 | Control access to SRAM2. Defaults to fully open access. |
| 0x28 | SRAM3 | Control access to SRAM3. Defaults to fully open access. |
| 0x2c | SRAM4 | Control access to SRAM4. Defaults to fully open access. |
| 0x30 | SRAM5 | Control access to SRAM5. Defaults to fully open access. |
| 0x34 | SRAM6 | Control access to SRAM6. Defaults to fully open access. |
| 0x38 | SRAM7 | Control access to SRAM7. Defaults to fully open access. |

| Offset | Name | Info |
|--------|------------------|--|
| 0x3c | SRAM8 | Control access to SRAM8. Defaults to fully open access. |
| 0x40 | SRAM9 | Control access to SRAM9. Defaults to fully open access. |
| 0x44 | DMA | Control access to DMA. Defaults to Secure access from any master. |
| 0x48 | USBCTRL | Control access to USBCTRL. Defaults to Secure access from any master. |
| 0x4c | PIO0 | Control access to PIO0. Defaults to Secure access from any master. |
| 0x50 | PIO1 | Control access to PIO1. Defaults to Secure access from any master. |
| 0x54 | PIO2 | Control access to PIO2. Defaults to Secure access from any master. |
| 0x58 | CORESIGHT_TRACE | Control access to CORESIGHT_TRACE. Defaults to Secure, Privileged processor or debug access only. |
| 0x5c | CORESIGHT_PERIPH | Control access to CORESIGHT_PERIPH. Defaults to Secure, Privileged processor or debug access only. |
| 0x60 | SYSINFO | Control access to SYSINFO. Defaults to fully open access. |
| 0x64 | RESETS | Control access to RESETS. Defaults to Secure access from any master. |
| 0x68 | IO_BANK0 | Control access to IO_BANK0. Defaults to Secure access from any master. |
| 0x6c | IO_BANK1 | Control access to IO_BANK1. Defaults to Secure access from any master. |
| 0x70 | PADS_BANK0 | Control access to PADS_BANK0. Defaults to Secure access from any master. |
| 0x74 | PADS_QSPI | Control access to PADS_QSPI. Defaults to Secure access from any master. |
| 0x78 | BUSCTRL | Control access to BUSCTRL. Defaults to Secure access from any master. |
| 0x7c | ADC | Control access to ADC. Defaults to Secure access from any master. |
| 0x80 | HSTX | Control access to HSTX. Defaults to Secure access from any master. |
| 0x84 | I2C0 | Control access to I2C0. Defaults to Secure access from any master. |
| 0x88 | I2C1 | Control access to I2C1. Defaults to Secure access from any master. |
| 0x8c | PWM | Control access to PWM. Defaults to Secure access from any master. |
| 0x90 | SPI0 | Control access to SPI0. Defaults to Secure access from any master. |
| 0x94 | SPI1 | Control access to SPI1. Defaults to Secure access from any master. |

| Offset | Name | Info |
|--------|----------|--|
| 0x98 | TIMER0 | Control access to TIMER0. Defaults to Secure access from any master. |
| 0x9c | TIMER1 | Control access to TIMER1. Defaults to Secure access from any master. |
| 0xa0 | UART0 | Control access to UART0. Defaults to Secure access from any master. |
| 0xa4 | UART1 | Control access to UART1. Defaults to Secure access from any master. |
| 0xa8 | OTP | Control access to OTP. Defaults to Secure access from any master. |
| 0xac | TBMAN | Control access to TBMAN. Defaults to Secure access from any master. |
| 0xb0 | POWMAN | Control access to POWMAN. Defaults to Secure, Privileged processor or debug access only. |
| 0xb4 | TRNG | Control access to TRNG. Defaults to Secure, Privileged processor or debug access only. |
| 0xb8 | SHA256 | Control access to SHA256. Defaults to Secure, Privileged access only. |
| 0xbc | SYSCFG | Control access to SYSCFG. Defaults to Secure, Privileged processor or debug access only. |
| 0xc0 | CLOCKS | Control access to CLOCKS. Defaults to Secure, Privileged processor or debug access only. |
| 0xc4 | XOSC | Control access to XOSC. Defaults to Secure, Privileged processor or debug access only. |
| 0xc8 | ROSC | Control access to ROSC. Defaults to Secure, Privileged processor or debug access only. |
| 0xcc | PLL_SYS | Control access to PLL_SYS. Defaults to Secure, Privileged processor or debug access only. |
| 0xd0 | PLL_USB | Control access to PLL_USB. Defaults to Secure, Privileged processor or debug access only. |
| 0xd4 | TICKS | Control access to TICKS. Defaults to Secure, Privileged processor or debug access only. |
| 0xd8 | WATCHDOG | Control access to WATCHDOG. Defaults to Secure, Privileged processor or debug access only. |
| 0xdc | PSM | Control access to PSM. Defaults to Secure, Privileged processor or debug access only. |
| 0xe0 | XIP_CTRL | Control access to XIP_CTRL. Defaults to Secure, Privileged processor or debug access only. |
| 0xe4 | XIP_QMI | Control access to XIP_QMI. Defaults to Secure, Privileged processor or debug access only. |
| 0xe8 | XIP_AUX | Control access to XIP_AUX. Defaults to Secure, Privileged access only. |

ACCESSCTRL: LOCK Register

Offset: 0x00

Description

Once a LOCK bit is written to 1, ACCESSCTRL silently ignores writes from that master. LOCK is writable only by a Secure, Privileged processor or debugger.

LOCK bits are only writable when their value is zero. Once set, they can never be cleared, except by a full reset of ACCESSCTRL

Setting the LOCK bit does not affect whether an access raises a bus error. Unprivileged writes, or writes from the DMA, will continue to raise bus errors. All other accesses will continue not to.

Table 912. LOCK Register

| Bits | Description | Type | Reset |
|------|--------------|------|-------|
| 31:4 | Reserved. | - | - |
| 3 | DEBUG | RW | 0x0 |
| 2 | DMA | RO | 0x1 |
| 1 | CORE1 | RW | 0x0 |
| 0 | CORE0 | RW | 0x0 |

ACCESSCTRL: FORCE_CORE_NS Register

Offset: 0x04

Description

Force core 1's bus accesses to always be Non-secure, no matter the core's internal state.

Useful for schemes where one core is designated as the Non-secure core, since some peripherals may filter individual registers internally based on security state but not on master ID.

Table 913. FORCE_CORE_NS Register

| Bits | Description | Type | Reset |
|------|--------------|------|-------|
| 31:2 | Reserved. | - | - |
| 1 | CORE1 | RW | 0x0 |
| 0 | Reserved. | - | - |

ACCESSCTRL: CFGRESET Register

Offset: 0x08

Table 914. CFGRESET Register

| Bits | Description | Type | Reset |
|------|---|------|-------|
| 31:1 | Reserved. | - | - |
| 0 | Write 1 to reset all ACCESSCTRL configuration, except for the LOCK and FORCE_CORE_NS registers. This bit is used in the RP2350 bootrom to quickly restore ACCESSCTRL to a known state during the boot path. Note that, like all registers in ACCESSCTRL, this register is not writable when the writer's corresponding LOCK bit is set, therefore a master which has been locked out of ACCESSCTRL can not use the CFGRESET register to disturb its contents. | SC | 0x0 |

ACCESSCTRL: GPIO_NSMASK0 Register

Offset: 0x0c

Table 915. GPIO_NSMASK0 Register

| Bits | Description | Type | Reset |
|------|--|------|------------|
| 31:0 | Control whether GPIO0...31 are accessible to Non-secure code. Writable only by a Secure, Privileged processor or debugger. 0 → Secure access only 1 → Secure + Non-secure access | RW | 0x00000000 |

ACCESSCTRL: GPIO_NSMASK1 Register

Offset: 0x10

Description

Control whether GPIO32..47 are accessible to Non-secure code, and whether QSPI and USB bitbang are accessible through the Non-secure SIO. Writable only by a Secure, Privileged processor or debugger.

Table 916. GPIO_NSMASK1 Register

| Bits | Description | Type | Reset |
|-------|-------------|------|--------|
| 31:28 | QSPI_SD | RW | 0x0 |
| 27 | QSPI_CSN | RW | 0x0 |
| 26 | QSPI_SCK | RW | 0x0 |
| 25 | USB_DM | RW | 0x0 |
| 24 | USB_DP | RW | 0x0 |
| 23:16 | Reserved. | - | - |
| 15:0 | GPIO | RW | 0x0000 |

ACCESSCTRL: ROM Register

Offset: 0x14

Description

Control whether debugger, DMA, core 0 and core 1 can access ROM, and at what security/privilege levels they can do so.

Defaults to fully open access.

This register is writable only from a Secure, Privileged processor or debugger, with the exception of the NSU bit, which

becomes Non-secure-Privileged-writable when the NSP bit is set.

Table 917. ROM Register

| Bits | Description | Type | Reset |
|------|--|------|-------|
| 31:8 | Reserved. | - | - |
| 7 | DBG : If 1, ROM can be accessed by the debugger, at security/privilege levels permitted by SP/NSP/SU/NSU in this register. | RW | 0x1 |
| 6 | DMA : If 1, ROM can be accessed by the DMA, at security/privilege levels permitted by SP/NSP/SU/NSU in this register. | RW | 0x1 |
| 5 | CORE1 : If 1, ROM can be accessed by core 1, at security/privilege levels permitted by SP/NSP/SU/NSU in this register. | RW | 0x1 |
| 4 | CORE0 : If 1, ROM can be accessed by core 0, at security/privilege levels permitted by SP/NSP/SU/NSU in this register. | RW | 0x1 |
| 3 | SP : If 1, ROM can be accessed from a Secure, Privileged context. | RW | 0x1 |
| 2 | SU : If 1, and SP is also set, ROM can be accessed from a Secure, Unprivileged context. | RW | 0x1 |
| 1 | NSP : If 1, ROM can be accessed from a Non-secure, Privileged context. | RW | 0x1 |
| 0 | NSU : If 1, and NSP is also set, ROM can be accessed from a Non-secure, Unprivileged context. This bit is writable from a Non-secure, Privileged context, if and only if the NSP bit is set. | RW | 0x1 |

ACCESSCTRL: XIP_MAIN Register

Offset: 0x18

Description

Control whether debugger, DMA, core 0 and core 1 can access XIP_MAIN, and at what security/privilege levels they can do so.

Defaults to fully open access.

This register is writable only from a Secure, Privileged processor or debugger, with the exception of the NSU bit, which becomes Non-secure-Privileged-writable when the NSP bit is set.

Table 918. XIP_MAIN Register

| Bits | Description | Type | Reset |
|------|--|------|-------|
| 31:8 | Reserved. | - | - |
| 7 | DBG : If 1, XIP_MAIN can be accessed by the debugger, at security/privilege levels permitted by SP/NSP/SU/NSU in this register. | RW | 0x1 |
| 6 | DMA : If 1, XIP_MAIN can be accessed by the DMA, at security/privilege levels permitted by SP/NSP/SU/NSU in this register. | RW | 0x1 |
| 5 | CORE1 : If 1, XIP_MAIN can be accessed by core 1, at security/privilege levels permitted by SP/NSP/SU/NSU in this register. | RW | 0x1 |
| 4 | CORE0 : If 1, XIP_MAIN can be accessed by core 0, at security/privilege levels permitted by SP/NSP/SU/NSU in this register. | RW | 0x1 |
| 3 | SP : If 1, XIP_MAIN can be accessed from a Secure, Privileged context. | RW | 0x1 |
| 2 | SU : If 1, and SP is also set, XIP_MAIN can be accessed from a Secure, Unprivileged context. | RW | 0x1 |
| 1 | NSP : If 1, XIP_MAIN can be accessed from a Non-secure, Privileged context. | RW | 0x1 |

| Bits | Description | Type | Reset |
|------|---|------|-------|
| 0 | <p>NSU: If 1, and NSP is also set, XIP_MAIN can be accessed from a Non-secure, Unprivileged context.</p> <p>This bit is writable from a Non-secure, Privileged context, if and only if the NSP bit is set.</p> | RW | 0x1 |

ACCESSCTRL: SRAM0 Register

Offset: 0x1c

Description

Control whether debugger, DMA, core 0 and core 1 can access SRAM0, and at what security/privilege levels they can do so.

Defaults to fully open access.

This register is writable only from a Secure, Privileged processor or debugger, with the exception of the NSU bit, which becomes Non-secure-Privileged-writable when the NSP bit is set.

Table 919. SRAM0 Register

| Bits | Description | Type | Reset |
|------|--|------|-------|
| 31:8 | Reserved. | - | - |
| 7 | DBG: If 1, SRAM0 can be accessed by the debugger, at security/privilege levels permitted by SP/NSP/SU/NSU in this register. | RW | 0x1 |
| 6 | DMA: If 1, SRAM0 can be accessed by the DMA, at security/privilege levels permitted by SP/NSP/SU/NSU in this register. | RW | 0x1 |
| 5 | CORE1: If 1, SRAM0 can be accessed by core 1, at security/privilege levels permitted by SP/NSP/SU/NSU in this register. | RW | 0x1 |
| 4 | CORE0: If 1, SRAM0 can be accessed by core 0, at security/privilege levels permitted by SP/NSP/SU/NSU in this register. | RW | 0x1 |
| 3 | SP: If 1, SRAM0 can be accessed from a Secure, Privileged context. | RW | 0x1 |
| 2 | SU: If 1, and SP is also set, SRAM0 can be accessed from a Secure, Unprivileged context. | RW | 0x1 |
| 1 | NSP: If 1, SRAM0 can be accessed from a Non-secure, Privileged context. | RW | 0x1 |
| 0 | <p>NSU: If 1, and NSP is also set, SRAM0 can be accessed from a Non-secure, Unprivileged context.</p> <p>This bit is writable from a Non-secure, Privileged context, if and only if the NSP bit is set.</p> | RW | 0x1 |

ACCESSCTRL: SRAM1 Register

Offset: 0x20

Description

Control whether debugger, DMA, core 0 and core 1 can access SRAM1, and at what security/privilege levels they can do so.

Defaults to fully open access.

This register is writable only from a Secure, Privileged processor or debugger, with the exception of the NSU bit, which becomes Non-secure-Privileged-writable when the NSP bit is set.

Table 920. SRAM1 Register

| Bits | Description | Type | Reset |
|------|---|------|-------|
| 31:8 | Reserved. | - | - |
| 7 | DBG: If 1, SRAM1 can be accessed by the debugger, at security/privilege levels permitted by SP/NSP/SU/NSU in this register. | RW | 0x1 |
| 6 | DMA: If 1, SRAM1 can be accessed by the DMA, at security/privilege levels permitted by SP/NSP/SU/NSU in this register. | RW | 0x1 |
| 5 | CORE1: If 1, SRAM1 can be accessed by core 1, at security/privilege levels permitted by SP/NSP/SU/NSU in this register. | RW | 0x1 |
| 4 | CORE0: If 1, SRAM1 can be accessed by core 0, at security/privilege levels permitted by SP/NSP/SU/NSU in this register. | RW | 0x1 |
| 3 | SP: If 1, SRAM1 can be accessed from a Secure, Privileged context. | RW | 0x1 |
| 2 | SU: If 1, and SP is also set, SRAM1 can be accessed from a Secure, Unprivileged context. | RW | 0x1 |
| 1 | NSP: If 1, SRAM1 can be accessed from a Non-secure, Privileged context. | RW | 0x1 |
| 0 | NSU: If 1, and NSP is also set, SRAM1 can be accessed from a Non-secure, Unprivileged context. This bit is writable from a Non-secure, Privileged context, if and only if the NSP bit is set. | RW | 0x1 |

ACCESSCTRL: SRAM2 Register

Offset: 0x24

Description

Control whether debugger, DMA, core 0 and core 1 can access SRAM2, and at what security/privilege levels they can do so.

Defaults to fully open access.

This register is writable only from a Secure, Privileged processor or debugger, with the exception of the NSU bit, which becomes Non-secure-Privileged-writable when the NSP bit is set.

Table 921. SRAM2 Register

| Bits | Description | Type | Reset |
|------|--|------|-------|
| 31:8 | Reserved. | - | - |
| 7 | DBG: If 1, SRAM2 can be accessed by the debugger, at security/privilege levels permitted by SP/NSP/SU/NSU in this register. | RW | 0x1 |
| 6 | DMA: If 1, SRAM2 can be accessed by the DMA, at security/privilege levels permitted by SP/NSP/SU/NSU in this register. | RW | 0x1 |
| 5 | CORE1: If 1, SRAM2 can be accessed by core 1, at security/privilege levels permitted by SP/NSP/SU/NSU in this register. | RW | 0x1 |
| 4 | CORE0: If 1, SRAM2 can be accessed by core 0, at security/privilege levels permitted by SP/NSP/SU/NSU in this register. | RW | 0x1 |
| 3 | SP: If 1, SRAM2 can be accessed from a Secure, Privileged context. | RW | 0x1 |
| 2 | SU: If 1, and SP is also set, SRAM2 can be accessed from a Secure, Unprivileged context. | RW | 0x1 |
| 1 | NSP: If 1, SRAM2 can be accessed from a Non-secure, Privileged context. | RW | 0x1 |

| Bits | Description | Type | Reset |
|------|--|------|-------|
| 0 | <p>NSU: If 1, and NSP is also set, SRAM2 can be accessed from a Non-secure, Unprivileged context.</p> <p>This bit is writable from a Non-secure, Privileged context, if and only if the NSP bit is set.</p> | RW | 0x1 |

ACCESSCTRL: SRAM3 Register

Offset: 0x28

Description

Control whether debugger, DMA, core 0 and core 1 can access SRAM3, and at what security/privilege levels they can do so.

Defaults to fully open access.

This register is writable only from a Secure, Privileged processor or debugger, with the exception of the NSU bit, which becomes Non-secure-Privileged-writable when the NSP bit is set.

Table 922. SRAM3 Register

| Bits | Description | Type | Reset |
|------|--|------|-------|
| 31:8 | Reserved. | - | - |
| 7 | DBG: If 1, SRAM3 can be accessed by the debugger, at security/privilege levels permitted by SP/NSP/SU/NSU in this register. | RW | 0x1 |
| 6 | DMA: If 1, SRAM3 can be accessed by the DMA, at security/privilege levels permitted by SP/NSP/SU/NSU in this register. | RW | 0x1 |
| 5 | CORE1: If 1, SRAM3 can be accessed by core 1, at security/privilege levels permitted by SP/NSP/SU/NSU in this register. | RW | 0x1 |
| 4 | CORE0: If 1, SRAM3 can be accessed by core 0, at security/privilege levels permitted by SP/NSP/SU/NSU in this register. | RW | 0x1 |
| 3 | SP: If 1, SRAM3 can be accessed from a Secure, Privileged context. | RW | 0x1 |
| 2 | SU: If 1, and SP is also set, SRAM3 can be accessed from a Secure, Unprivileged context. | RW | 0x1 |
| 1 | NSP: If 1, SRAM3 can be accessed from a Non-secure, Privileged context. | RW | 0x1 |
| 0 | <p>NSU: If 1, and NSP is also set, SRAM3 can be accessed from a Non-secure, Unprivileged context.</p> <p>This bit is writable from a Non-secure, Privileged context, if and only if the NSP bit is set.</p> | RW | 0x1 |

ACCESSCTRL: SRAM4 Register

Offset: 0x2c

Description

Control whether debugger, DMA, core 0 and core 1 can access SRAM4, and at what security/privilege levels they can do so.

Defaults to fully open access.

This register is writable only from a Secure, Privileged processor or debugger, with the exception of the NSU bit, which becomes Non-secure-Privileged-writable when the NSP bit is set.

Table 923. SRAM4 Register

| Bits | Description | Type | Reset |
|------|--|------|-------|
| 31:8 | Reserved. | - | - |
| 7 | DBG : If 1, SRAM4 can be accessed by the debugger, at security/privilege levels permitted by SP/NSP/SU/NSU in this register. | RW | 0x1 |
| 6 | DMA : If 1, SRAM4 can be accessed by the DMA, at security/privilege levels permitted by SP/NSP/SU/NSU in this register. | RW | 0x1 |
| 5 | CORE1 : If 1, SRAM4 can be accessed by core 1, at security/privilege levels permitted by SP/NSP/SU/NSU in this register. | RW | 0x1 |
| 4 | CORE0 : If 1, SRAM4 can be accessed by core 0, at security/privilege levels permitted by SP/NSP/SU/NSU in this register. | RW | 0x1 |
| 3 | SP : If 1, SRAM4 can be accessed from a Secure, Privileged context. | RW | 0x1 |
| 2 | SU : If 1, and SP is also set, SRAM4 can be accessed from a Secure, Unprivileged context. | RW | 0x1 |
| 1 | NSP : If 1, SRAM4 can be accessed from a Non-secure, Privileged context. | RW | 0x1 |
| 0 | NSU : If 1, and NSP is also set, SRAM4 can be accessed from a Non-secure, Unprivileged context. This bit is writable from a Non-secure, Privileged context, if and only if the NSP bit is set. | RW | 0x1 |

ACCESSCTRL: SRAM5 Register

Offset: 0x30

Description

Control whether debugger, DMA, core 0 and core 1 can access SRAM5, and at what security/privilege levels they can do so.

Defaults to fully open access.

This register is writable only from a Secure, Privileged processor or debugger, with the exception of the NSU bit, which becomes Non-secure-Privileged-writable when the NSP bit is set.

Table 924. SRAM5 Register

| Bits | Description | Type | Reset |
|------|---|------|-------|
| 31:8 | Reserved. | - | - |
| 7 | DBG : If 1, SRAM5 can be accessed by the debugger, at security/privilege levels permitted by SP/NSP/SU/NSU in this register. | RW | 0x1 |
| 6 | DMA : If 1, SRAM5 can be accessed by the DMA, at security/privilege levels permitted by SP/NSP/SU/NSU in this register. | RW | 0x1 |
| 5 | CORE1 : If 1, SRAM5 can be accessed by core 1, at security/privilege levels permitted by SP/NSP/SU/NSU in this register. | RW | 0x1 |
| 4 | CORE0 : If 1, SRAM5 can be accessed by core 0, at security/privilege levels permitted by SP/NSP/SU/NSU in this register. | RW | 0x1 |
| 3 | SP : If 1, SRAM5 can be accessed from a Secure, Privileged context. | RW | 0x1 |
| 2 | SU : If 1, and SP is also set, SRAM5 can be accessed from a Secure, Unprivileged context. | RW | 0x1 |
| 1 | NSP : If 1, SRAM5 can be accessed from a Non-secure, Privileged context. | RW | 0x1 |

| Bits | Description | Type | Reset |
|------|--|------|-------|
| 0 | <p>NSU: If 1, and NSP is also set, SRAM5 can be accessed from a Non-secure, Unprivileged context.</p> <p>This bit is writable from a Non-secure, Privileged context, if and only if the NSP bit is set.</p> | RW | 0x1 |

ACCESSCTRL: SRAM6 Register

Offset: 0x34

Description

Control whether debugger, DMA, core 0 and core 1 can access SRAM6, and at what security/privilege levels they can do so.

Defaults to fully open access.

This register is writable only from a Secure, Privileged processor or debugger, with the exception of the NSU bit, which becomes Non-secure-Privileged-writable when the NSP bit is set.

Table 925. SRAM6 Register

| Bits | Description | Type | Reset |
|------|--|------|-------|
| 31:8 | Reserved. | - | - |
| 7 | DBG: If 1, SRAM6 can be accessed by the debugger, at security/privilege levels permitted by SP/NSP/SU/NSU in this register. | RW | 0x1 |
| 6 | DMA: If 1, SRAM6 can be accessed by the DMA, at security/privilege levels permitted by SP/NSP/SU/NSU in this register. | RW | 0x1 |
| 5 | CORE1: If 1, SRAM6 can be accessed by core 1, at security/privilege levels permitted by SP/NSP/SU/NSU in this register. | RW | 0x1 |
| 4 | CORE0: If 1, SRAM6 can be accessed by core 0, at security/privilege levels permitted by SP/NSP/SU/NSU in this register. | RW | 0x1 |
| 3 | SP: If 1, SRAM6 can be accessed from a Secure, Privileged context. | RW | 0x1 |
| 2 | SU: If 1, and SP is also set, SRAM6 can be accessed from a Secure, Unprivileged context. | RW | 0x1 |
| 1 | NSP: If 1, SRAM6 can be accessed from a Non-secure, Privileged context. | RW | 0x1 |
| 0 | <p>NSU: If 1, and NSP is also set, SRAM6 can be accessed from a Non-secure, Unprivileged context.</p> <p>This bit is writable from a Non-secure, Privileged context, if and only if the NSP bit is set.</p> | RW | 0x1 |

ACCESSCTRL: SRAM7 Register

Offset: 0x38

Description

Control whether debugger, DMA, core 0 and core 1 can access SRAM7, and at what security/privilege levels they can do so.

Defaults to fully open access.

This register is writable only from a Secure, Privileged processor or debugger, with the exception of the NSU bit, which becomes Non-secure-Privileged-writable when the NSP bit is set.

Table 926. SRAM7 Register

| Bits | Description | Type | Reset |
|------|--|------|-------|
| 31:8 | Reserved. | - | - |
| 7 | DBG : If 1, SRAM7 can be accessed by the debugger, at security/privilege levels permitted by SP/NSP/SU/NSU in this register. | RW | 0x1 |
| 6 | DMA : If 1, SRAM7 can be accessed by the DMA, at security/privilege levels permitted by SP/NSP/SU/NSU in this register. | RW | 0x1 |
| 5 | CORE1 : If 1, SRAM7 can be accessed by core 1, at security/privilege levels permitted by SP/NSP/SU/NSU in this register. | RW | 0x1 |
| 4 | CORE0 : If 1, SRAM7 can be accessed by core 0, at security/privilege levels permitted by SP/NSP/SU/NSU in this register. | RW | 0x1 |
| 3 | SP : If 1, SRAM7 can be accessed from a Secure, Privileged context. | RW | 0x1 |
| 2 | SU : If 1, and SP is also set, SRAM7 can be accessed from a Secure, Unprivileged context. | RW | 0x1 |
| 1 | NSP : If 1, SRAM7 can be accessed from a Non-secure, Privileged context. | RW | 0x1 |
| 0 | NSU : If 1, and NSP is also set, SRAM7 can be accessed from a Non-secure, Unprivileged context. This bit is writable from a Non-secure, Privileged context, if and only if the NSP bit is set. | RW | 0x1 |

ACCESSCTRL: SRAM8 Register

Offset: 0x3c

Description

Control whether debugger, DMA, core 0 and core 1 can access SRAM8, and at what security/privilege levels they can do so.

Defaults to fully open access.

This register is writable only from a Secure, Privileged processor or debugger, with the exception of the NSU bit, which becomes Non-secure-Privileged-writable when the NSP bit is set.

Table 927. SRAM8 Register

| Bits | Description | Type | Reset |
|------|---|------|-------|
| 31:8 | Reserved. | - | - |
| 7 | DBG : If 1, SRAM8 can be accessed by the debugger, at security/privilege levels permitted by SP/NSP/SU/NSU in this register. | RW | 0x1 |
| 6 | DMA : If 1, SRAM8 can be accessed by the DMA, at security/privilege levels permitted by SP/NSP/SU/NSU in this register. | RW | 0x1 |
| 5 | CORE1 : If 1, SRAM8 can be accessed by core 1, at security/privilege levels permitted by SP/NSP/SU/NSU in this register. | RW | 0x1 |
| 4 | CORE0 : If 1, SRAM8 can be accessed by core 0, at security/privilege levels permitted by SP/NSP/SU/NSU in this register. | RW | 0x1 |
| 3 | SP : If 1, SRAM8 can be accessed from a Secure, Privileged context. | RW | 0x1 |
| 2 | SU : If 1, and SP is also set, SRAM8 can be accessed from a Secure, Unprivileged context. | RW | 0x1 |
| 1 | NSP : If 1, SRAM8 can be accessed from a Non-secure, Privileged context. | RW | 0x1 |

| Bits | Description | Type | Reset |
|------|--|------|-------|
| 0 | <p>NSU: If 1, and NSP is also set, SRAM8 can be accessed from a Non-secure, Unprivileged context.</p> <p>This bit is writable from a Non-secure, Privileged context, if and only if the NSP bit is set.</p> | RW | 0x1 |

ACCESSCTRL: SRAM9 Register

Offset: 0x40

Description

Control whether debugger, DMA, core 0 and core 1 can access SRAM9, and at what security/privilege levels they can do so.

Defaults to fully open access.

This register is writable only from a Secure, Privileged processor or debugger, with the exception of the NSU bit, which becomes Non-secure-Privileged-writable when the NSP bit is set.

Table 928. SRAM9 Register

| Bits | Description | Type | Reset |
|------|--|------|-------|
| 31:8 | Reserved. | - | - |
| 7 | DBG: If 1, SRAM9 can be accessed by the debugger, at security/privilege levels permitted by SP/NSP/SU/NSU in this register. | RW | 0x1 |
| 6 | DMA: If 1, SRAM9 can be accessed by the DMA, at security/privilege levels permitted by SP/NSP/SU/NSU in this register. | RW | 0x1 |
| 5 | CORE1: If 1, SRAM9 can be accessed by core 1, at security/privilege levels permitted by SP/NSP/SU/NSU in this register. | RW | 0x1 |
| 4 | CORE0: If 1, SRAM9 can be accessed by core 0, at security/privilege levels permitted by SP/NSP/SU/NSU in this register. | RW | 0x1 |
| 3 | SP: If 1, SRAM9 can be accessed from a Secure, Privileged context. | RW | 0x1 |
| 2 | SU: If 1, and SP is also set, SRAM9 can be accessed from a Secure, Unprivileged context. | RW | 0x1 |
| 1 | NSP: If 1, SRAM9 can be accessed from a Non-secure, Privileged context. | RW | 0x1 |
| 0 | <p>NSU: If 1, and NSP is also set, SRAM9 can be accessed from a Non-secure, Unprivileged context.</p> <p>This bit is writable from a Non-secure, Privileged context, if and only if the NSP bit is set.</p> | RW | 0x1 |

ACCESSCTRL: DMA Register

Offset: 0x44

Description

Control whether debugger, DMA, core 0 and core 1 can access DMA, and at what security/privilege levels they can do so.

Defaults to Secure access from any master.

This register is writable only from a Secure, Privileged processor or debugger, with the exception of the NSU bit, which becomes Non-secure-Privileged-writable when the NSP bit is set.

Table 929. DMA Register

| Bits | Description | Type | Reset |
|------|--|------|-------|
| 31:8 | Reserved. | - | - |
| 7 | DBG : If 1, DMA can be accessed by the debugger, at security/privilege levels permitted by SP/NSP/SU/NSU in this register. | RW | 0x1 |
| 6 | DMA : If 1, DMA can be accessed by the DMA, at security/privilege levels permitted by SP/NSP/SU/NSU in this register. | RW | 0x1 |
| 5 | CORE1 : If 1, DMA can be accessed by core 1, at security/privilege levels permitted by SP/NSP/SU/NSU in this register. | RW | 0x1 |
| 4 | CORE0 : If 1, DMA can be accessed by core 0, at security/privilege levels permitted by SP/NSP/SU/NSU in this register. | RW | 0x1 |
| 3 | SP : If 1, DMA can be accessed from a Secure, Privileged context. | RW | 0x1 |
| 2 | SU : If 1, and SP is also set, DMA can be accessed from a Secure, Unprivileged context. | RW | 0x1 |
| 1 | NSP : If 1, DMA can be accessed from a Non-secure, Privileged context. | RW | 0x0 |
| 0 | NSU : If 1, and NSP is also set, DMA can be accessed from a Non-secure, Unprivileged context. This bit is writable from a Non-secure, Privileged context, if and only if the NSP bit is set. | RW | 0x0 |

ACCESSCTRL: USBCTRL Register

Offset: 0x48

Description

Control whether debugger, DMA, core 0 and core 1 can access USBCTRL, and at what security/privilege levels they can do so.

Defaults to Secure access from any master.

This register is writable only from a Secure, Privileged processor or debugger, with the exception of the NSU bit, which becomes Non-secure-Privileged-writable when the NSP bit is set.

Table 930. USBCTRL Register

| Bits | Description | Type | Reset |
|------|---|------|-------|
| 31:8 | Reserved. | - | - |
| 7 | DBG : If 1, USBCTRL can be accessed by the debugger, at security/privilege levels permitted by SP/NSP/SU/NSU in this register. | RW | 0x1 |
| 6 | DMA : If 1, USBCTRL can be accessed by the DMA, at security/privilege levels permitted by SP/NSP/SU/NSU in this register. | RW | 0x1 |
| 5 | CORE1 : If 1, USBCTRL can be accessed by core 1, at security/privilege levels permitted by SP/NSP/SU/NSU in this register. | RW | 0x1 |
| 4 | CORE0 : If 1, USBCTRL can be accessed by core 0, at security/privilege levels permitted by SP/NSP/SU/NSU in this register. | RW | 0x1 |
| 3 | SP : If 1, USBCTRL can be accessed from a Secure, Privileged context. | RW | 0x1 |
| 2 | SU : If 1, and SP is also set, USBCTRL can be accessed from a Secure, Unprivileged context. | RW | 0x1 |
| 1 | NSP : If 1, USBCTRL can be accessed from a Non-secure, Privileged context. | RW | 0x0 |

| Bits | Description | Type | Reset |
|------|--|------|-------|
| 0 | <p>NSU: If 1, and NSP is also set, USBCTRL can be accessed from a Non-secure, Unprivileged context.</p> <p>This bit is writable from a Non-secure, Privileged context, if and only if the NSP bit is set.</p> | RW | 0x0 |

ACCESSCTRL: PIO0 Register

Offset: 0x4c

Description

Control whether debugger, DMA, core 0 and core 1 can access PIO0, and at what security/privilege levels they can do so.

Defaults to Secure access from any master.

This register is writable only from a Secure, Privileged processor or debugger, with the exception of the NSU bit, which becomes Non-secure-Privileged-writable when the NSP bit is set.

Table 931. PIO0 Register

| Bits | Description | Type | Reset |
|------|---|------|-------|
| 31:8 | Reserved. | - | - |
| 7 | DBG: If 1, PIO0 can be accessed by the debugger, at security/privilege levels permitted by SP/NSP/SU/NSU in this register. | RW | 0x1 |
| 6 | DMA: If 1, PIO0 can be accessed by the DMA, at security/privilege levels permitted by SP/NSP/SU/NSU in this register. | RW | 0x1 |
| 5 | CORE1: If 1, PIO0 can be accessed by core 1, at security/privilege levels permitted by SP/NSP/SU/NSU in this register. | RW | 0x1 |
| 4 | CORE0: If 1, PIO0 can be accessed by core 0, at security/privilege levels permitted by SP/NSP/SU/NSU in this register. | RW | 0x1 |
| 3 | SP: If 1, PIO0 can be accessed from a Secure, Privileged context. | RW | 0x1 |
| 2 | SU: If 1, and SP is also set, PIO0 can be accessed from a Secure, Unprivileged context. | RW | 0x1 |
| 1 | NSP: If 1, PIO0 can be accessed from a Non-secure, Privileged context. | RW | 0x0 |
| 0 | <p>NSU: If 1, and NSP is also set, PIO0 can be accessed from a Non-secure, Unprivileged context.</p> <p>This bit is writable from a Non-secure, Privileged context, if and only if the NSP bit is set.</p> | RW | 0x0 |

ACCESSCTRL: PIO1 Register

Offset: 0x50

Description

Control whether debugger, DMA, core 0 and core 1 can access PIO1, and at what security/privilege levels they can do so.

Defaults to Secure access from any master.

This register is writable only from a Secure, Privileged processor or debugger, with the exception of the NSU bit, which becomes Non-secure-Privileged-writable when the NSP bit is set.

Table 932. PIO1 Register

| Bits | Description | Type | Reset |
|------|---|------|-------|
| 31:8 | Reserved. | - | - |
| 7 | DBG : If 1, PIO1 can be accessed by the debugger, at security/privilege levels permitted by SP/NSP/SU/NSU in this register. | RW | 0x1 |
| 6 | DMA : If 1, PIO1 can be accessed by the DMA, at security/privilege levels permitted by SP/NSP/SU/NSU in this register. | RW | 0x1 |
| 5 | CORE1 : If 1, PIO1 can be accessed by core 1, at security/privilege levels permitted by SP/NSP/SU/NSU in this register. | RW | 0x1 |
| 4 | CORE0 : If 1, PIO1 can be accessed by core 0, at security/privilege levels permitted by SP/NSP/SU/NSU in this register. | RW | 0x1 |
| 3 | SP : If 1, PIO1 can be accessed from a Secure, Privileged context. | RW | 0x1 |
| 2 | SU : If 1, and SP is also set, PIO1 can be accessed from a Secure, Unprivileged context. | RW | 0x1 |
| 1 | NSP : If 1, PIO1 can be accessed from a Non-secure, Privileged context. | RW | 0x0 |
| 0 | NSU : If 1, and NSP is also set, PIO1 can be accessed from a Non-secure, Unprivileged context. This bit is writable from a Non-secure, Privileged context, if and only if the NSP bit is set. | RW | 0x0 |

ACCESSCTRL: PIO2 Register

Offset: 0x54

Description

Control whether debugger, DMA, core 0 and core 1 can access PIO2, and at what security/privilege levels they can do so.

Defaults to Secure access from any master.

This register is writable only from a Secure, Privileged processor or debugger, with the exception of the NSU bit, which becomes Non-secure-Privileged-writable when the NSP bit is set.

Table 933. PIO2 Register

| Bits | Description | Type | Reset |
|------|--|------|-------|
| 31:8 | Reserved. | - | - |
| 7 | DBG : If 1, PIO2 can be accessed by the debugger, at security/privilege levels permitted by SP/NSP/SU/NSU in this register. | RW | 0x1 |
| 6 | DMA : If 1, PIO2 can be accessed by the DMA, at security/privilege levels permitted by SP/NSP/SU/NSU in this register. | RW | 0x1 |
| 5 | CORE1 : If 1, PIO2 can be accessed by core 1, at security/privilege levels permitted by SP/NSP/SU/NSU in this register. | RW | 0x1 |
| 4 | CORE0 : If 1, PIO2 can be accessed by core 0, at security/privilege levels permitted by SP/NSP/SU/NSU in this register. | RW | 0x1 |
| 3 | SP : If 1, PIO2 can be accessed from a Secure, Privileged context. | RW | 0x1 |
| 2 | SU : If 1, and SP is also set, PIO2 can be accessed from a Secure, Unprivileged context. | RW | 0x1 |
| 1 | NSP : If 1, PIO2 can be accessed from a Non-secure, Privileged context. | RW | 0x0 |

| Bits | Description | Type | Reset |
|------|---|------|-------|
| 0 | <p>NSU: If 1, and NSP is also set, PIO2 can be accessed from a Non-secure, Unprivileged context.</p> <p>This bit is writable from a Non-secure, Privileged context, if and only if the NSP bit is set.</p> | RW | 0x0 |

ACCESSCTRL: CORESIGHT_TRACE Register

Offset: 0x58

Description

Control whether debugger, DMA, core 0 and core 1 can access CORESIGHT_TRACE, and at what security/privilege levels they can do so.

Defaults to Secure, Privileged processor or debug access only.

This register is writable only from a Secure, Privileged processor or debugger, with the exception of the NSU bit, which becomes Non-secure-Privileged-writable when the NSP bit is set.

Table 934.
CORESIGHT_TRACE
Register

| Bits | Description | Type | Reset |
|------|--|------|-------|
| 31:8 | Reserved. | - | - |
| 7 | DBG: If 1, CORESIGHT_TRACE can be accessed by the debugger, at security/privilege levels permitted by SP/NSP/SU/NSU in this register. | RW | 0x1 |
| 6 | DMA: If 1, CORESIGHT_TRACE can be accessed by the DMA, at security/privilege levels permitted by SP/NSP/SU/NSU in this register. | RW | 0x0 |
| 5 | CORE1: If 1, CORESIGHT_TRACE can be accessed by core 1, at security/privilege levels permitted by SP/NSP/SU/NSU in this register. | RW | 0x1 |
| 4 | CORE0: If 1, CORESIGHT_TRACE can be accessed by core 0, at security/privilege levels permitted by SP/NSP/SU/NSU in this register. | RW | 0x1 |
| 3 | SP: If 1, CORESIGHT_TRACE can be accessed from a Secure, Privileged context. | RW | 0x1 |
| 2 | SU: If 1, and SP is also set, CORESIGHT_TRACE can be accessed from a Secure, Unprivileged context. | RW | 0x0 |
| 1 | NSP: If 1, CORESIGHT_TRACE can be accessed from a Non-secure, Privileged context. | RW | 0x0 |
| 0 | <p>NSU: If 1, and NSP is also set, CORESIGHT_TRACE can be accessed from a Non-secure, Unprivileged context.</p> <p>This bit is writable from a Non-secure, Privileged context, if and only if the NSP bit is set.</p> | RW | 0x0 |

ACCESSCTRL: CORESIGHT_PERIPH Register

Offset: 0x5c

Description

Control whether debugger, DMA, core 0 and core 1 can access CORESIGHT_PERIPH, and at what security/privilege levels they can do so.

Defaults to Secure, Privileged processor or debug access only.

This register is writable only from a Secure, Privileged processor or debugger, with the exception of the NSU bit, which becomes Non-secure-Privileged-writable when the NSP bit is set.

Table 935.
CORESIGHT_PERIPH
Register

| Bits | Description | Type | Reset |
|------|---|------|-------|
| 31:8 | Reserved. | - | - |
| 7 | DBG : If 1, CORESIGHT_PERIPH can be accessed by the debugger, at security/privilege levels permitted by SP/NSP/SU/NSU in this register. | RW | 0x1 |
| 6 | DMA : If 1, CORESIGHT_PERIPH can be accessed by the DMA, at security/privilege levels permitted by SP/NSP/SU/NSU in this register. | RW | 0x0 |
| 5 | CORE1 : If 1, CORESIGHT_PERIPH can be accessed by core 1, at security/privilege levels permitted by SP/NSP/SU/NSU in this register. | RW | 0x1 |
| 4 | CORE0 : If 1, CORESIGHT_PERIPH can be accessed by core 0, at security/privilege levels permitted by SP/NSP/SU/NSU in this register. | RW | 0x1 |
| 3 | SP : If 1, CORESIGHT_PERIPH can be accessed from a Secure, Privileged context. | RW | 0x1 |
| 2 | SU : If 1, and SP is also set, CORESIGHT_PERIPH can be accessed from a Secure, Unprivileged context. | RW | 0x0 |
| 1 | NSP : If 1, CORESIGHT_PERIPH can be accessed from a Non-secure, Privileged context. | RW | 0x0 |
| 0 | NSU : If 1, and NSP is also set, CORESIGHT_PERIPH can be accessed from a Non-secure, Unprivileged context. This bit is writable from a Non-secure, Privileged context, if and only if the NSP bit is set. | RW | 0x0 |

ACCESSCTRL: SYSINFO Register

Offset: 0x60

Description

Control whether debugger, DMA, core 0 and core 1 can access SYSINFO, and at what security/privilege levels they can do so.

Defaults to fully open access.

This register is writable only from a Secure, Privileged processor or debugger, with the exception of the NSU bit, which becomes Non-secure-Privileged-writable when the NSP bit is set.

Table 936. SYSINFO
Register

| Bits | Description | Type | Reset |
|------|---|------|-------|
| 31:8 | Reserved. | - | - |
| 7 | DBG : If 1, SYSINFO can be accessed by the debugger, at security/privilege levels permitted by SP/NSP/SU/NSU in this register. | RW | 0x1 |
| 6 | DMA : If 1, SYSINFO can be accessed by the DMA, at security/privilege levels permitted by SP/NSP/SU/NSU in this register. | RW | 0x1 |
| 5 | CORE1 : If 1, SYSINFO can be accessed by core 1, at security/privilege levels permitted by SP/NSP/SU/NSU in this register. | RW | 0x1 |
| 4 | CORE0 : If 1, SYSINFO can be accessed by core 0, at security/privilege levels permitted by SP/NSP/SU/NSU in this register. | RW | 0x1 |
| 3 | SP : If 1, SYSINFO can be accessed from a Secure, Privileged context. | RW | 0x1 |
| 2 | SU : If 1, and SP is also set, SYSINFO can be accessed from a Secure, Unprivileged context. | RW | 0x1 |

| Bits | Description | Type | Reset |
|------|--|------|-------|
| 1 | NSP : If 1, SYSINFO can be accessed from a Non-secure, Privileged context. | RW | 0x1 |
| 0 | NSU : If 1, and NSP is also set, SYSINFO can be accessed from a Non-secure, Unprivileged context. This bit is writable from a Non-secure, Privileged context, if and only if the NSP bit is set. | RW | 0x1 |

ACCESSCTRL: RESETS Register

Offset: 0x64

Description

Control whether debugger, DMA, core 0 and core 1 can access RESETS, and at what security/privilege levels they can do so.

Defaults to Secure access from any master.

This register is writable only from a Secure, Privileged processor or debugger, with the exception of the NSU bit, which becomes Non-secure-Privileged-writable when the NSP bit is set.

Table 937. RESETS Register

| Bits | Description | Type | Reset |
|------|---|------|-------|
| 31:8 | Reserved. | - | - |
| 7 | DBG : If 1, RESETS can be accessed by the debugger, at security/privilege levels permitted by SP/NSP/SU/NSU in this register. | RW | 0x1 |
| 6 | DMA : If 1, RESETS can be accessed by the DMA, at security/privilege levels permitted by SP/NSP/SU/NSU in this register. | RW | 0x1 |
| 5 | CORE1 : If 1, RESETS can be accessed by core 1, at security/privilege levels permitted by SP/NSP/SU/NSU in this register. | RW | 0x1 |
| 4 | CORE0 : If 1, RESETS can be accessed by core 0, at security/privilege levels permitted by SP/NSP/SU/NSU in this register. | RW | 0x1 |
| 3 | SP : If 1, RESETS can be accessed from a Secure, Privileged context. | RW | 0x1 |
| 2 | SU : If 1, and SP is also set, RESETS can be accessed from a Secure, Unprivileged context. | RW | 0x1 |
| 1 | NSP : If 1, RESETS can be accessed from a Non-secure, Privileged context. | RW | 0x0 |
| 0 | NSU : If 1, and NSP is also set, RESETS can be accessed from a Non-secure, Unprivileged context. This bit is writable from a Non-secure, Privileged context, if and only if the NSP bit is set. | RW | 0x0 |

ACCESSCTRL: IO_BANK0 Register

Offset: 0x68

Description

Control whether debugger, DMA, core 0 and core 1 can access IO_BANK0, and at what security/privilege levels they can do so.

Defaults to Secure access from any master.

This register is writable only from a Secure, Privileged processor or debugger, with the exception of the NSU bit, which becomes Non-secure-Privileged-writable when the NSP bit is set.

Table 938. IO_BANK0 Register

| Bits | Description | Type | Reset |
|------|--|------|-------|
| 31:8 | Reserved. | - | - |
| 7 | DBG: If 1, IO_BANK0 can be accessed by the debugger, at security/privilege levels permitted by SP/NSP/SU/NSU in this register. | RW | 0x1 |
| 6 | DMA: If 1, IO_BANK0 can be accessed by the DMA, at security/privilege levels permitted by SP/NSP/SU/NSU in this register. | RW | 0x1 |
| 5 | CORE1: If 1, IO_BANK0 can be accessed by core 1, at security/privilege levels permitted by SP/NSP/SU/NSU in this register. | RW | 0x1 |
| 4 | CORE0: If 1, IO_BANK0 can be accessed by core 0, at security/privilege levels permitted by SP/NSP/SU/NSU in this register. | RW | 0x1 |
| 3 | SP: If 1, IO_BANK0 can be accessed from a Secure, Privileged context. | RW | 0x1 |
| 2 | SU: If 1, and SP is also set, IO_BANK0 can be accessed from a Secure, Unprivileged context. | RW | 0x1 |
| 1 | NSP: If 1, IO_BANK0 can be accessed from a Non-secure, Privileged context. | RW | 0x0 |
| 0 | NSU: If 1, and NSP is also set, IO_BANK0 can be accessed from a Non-secure, Unprivileged context. This bit is writable from a Non-secure, Privileged context, if and only if the NSP bit is set. | RW | 0x0 |

ACCESSCTRL: IO_BANK1 Register

Offset: 0x6c

Description

Control whether debugger, DMA, core 0 and core 1 can access IO_BANK1, and at what security/privilege levels they can do so.

Defaults to Secure access from any master.

This register is writable only from a Secure, Privileged processor or debugger, with the exception of the NSU bit, which becomes Non-secure-Privileged-writable when the NSP bit is set.

Table 939. IO_BANK1 Register

| Bits | Description | Type | Reset |
|------|---|------|-------|
| 31:8 | Reserved. | - | - |
| 7 | DBG: If 1, IO_BANK1 can be accessed by the debugger, at security/privilege levels permitted by SP/NSP/SU/NSU in this register. | RW | 0x1 |
| 6 | DMA: If 1, IO_BANK1 can be accessed by the DMA, at security/privilege levels permitted by SP/NSP/SU/NSU in this register. | RW | 0x1 |
| 5 | CORE1: If 1, IO_BANK1 can be accessed by core 1, at security/privilege levels permitted by SP/NSP/SU/NSU in this register. | RW | 0x1 |
| 4 | CORE0: If 1, IO_BANK1 can be accessed by core 0, at security/privilege levels permitted by SP/NSP/SU/NSU in this register. | RW | 0x1 |
| 3 | SP: If 1, IO_BANK1 can be accessed from a Secure, Privileged context. | RW | 0x1 |
| 2 | SU: If 1, and SP is also set, IO_BANK1 can be accessed from a Secure, Unprivileged context. | RW | 0x1 |
| 1 | NSP: If 1, IO_BANK1 can be accessed from a Non-secure, Privileged context. | RW | 0x0 |

| Bits | Description | Type | Reset |
|------|---|------|-------|
| 0 | <p>NSU: If 1, and NSP is also set, IO_BANK1 can be accessed from a Non-secure, Unprivileged context.</p> <p>This bit is writable from a Non-secure, Privileged context, if and only if the NSP bit is set.</p> | RW | 0x0 |

ACCESSCTRL: PADS_BANK0 Register

Offset: 0x70

Description

Control whether debugger, DMA, core 0 and core 1 can access PADS_BANK0, and at what security/privilege levels they can do so.

Defaults to Secure access from any master.

This register is writable only from a Secure, Privileged processor or debugger, with the exception of the NSU bit, which becomes Non-secure-Privileged-writable when the NSP bit is set.

Table 940.
PADS_BANK0 Register

| Bits | Description | Type | Reset |
|------|---|------|-------|
| 31:8 | Reserved. | - | - |
| 7 | DBG: If 1, PADS_BANK0 can be accessed by the debugger, at security/privilege levels permitted by SP/NSP/SU/NSU in this register. | RW | 0x1 |
| 6 | DMA: If 1, PADS_BANK0 can be accessed by the DMA, at security/privilege levels permitted by SP/NSP/SU/NSU in this register. | RW | 0x1 |
| 5 | CORE1: If 1, PADS_BANK0 can be accessed by core 1, at security/privilege levels permitted by SP/NSP/SU/NSU in this register. | RW | 0x1 |
| 4 | CORE0: If 1, PADS_BANK0 can be accessed by core 0, at security/privilege levels permitted by SP/NSP/SU/NSU in this register. | RW | 0x1 |
| 3 | SP: If 1, PADS_BANK0 can be accessed from a Secure, Privileged context. | RW | 0x1 |
| 2 | SU: If 1, and SP is also set, PADS_BANK0 can be accessed from a Secure, Unprivileged context. | RW | 0x1 |
| 1 | NSP: If 1, PADS_BANK0 can be accessed from a Non-secure, Privileged context. | RW | 0x0 |
| 0 | <p>NSU: If 1, and NSP is also set, PADS_BANK0 can be accessed from a Non-secure, Unprivileged context.</p> <p>This bit is writable from a Non-secure, Privileged context, if and only if the NSP bit is set.</p> | RW | 0x0 |

ACCESSCTRL: PADS_QSPI Register

Offset: 0x74

Description

Control whether debugger, DMA, core 0 and core 1 can access PADS_QSPI, and at what security/privilege levels they can do so.

Defaults to Secure access from any master.

This register is writable only from a Secure, Privileged processor or debugger, with the exception of the NSU bit, which becomes Non-secure-Privileged-writable when the NSP bit is set.

Table 941. PADS_QSPI Register

| Bits | Description | Type | Reset |
|------|---|------|-------|
| 31:8 | Reserved. | - | - |
| 7 | DBG: If 1, PADS_QSPI can be accessed by the debugger, at security/privilege levels permitted by SP/NSP/SU/NSU in this register. | RW | 0x1 |
| 6 | DMA: If 1, PADS_QSPI can be accessed by the DMA, at security/privilege levels permitted by SP/NSP/SU/NSU in this register. | RW | 0x1 |
| 5 | CORE1: If 1, PADS_QSPI can be accessed by core 1, at security/privilege levels permitted by SP/NSP/SU/NSU in this register. | RW | 0x1 |
| 4 | CORE0: If 1, PADS_QSPI can be accessed by core 0, at security/privilege levels permitted by SP/NSP/SU/NSU in this register. | RW | 0x1 |
| 3 | SP: If 1, PADS_QSPI can be accessed from a Secure, Privileged context. | RW | 0x1 |
| 2 | SU: If 1, and SP is also set, PADS_QSPI can be accessed from a Secure, Unprivileged context. | RW | 0x1 |
| 1 | NSP: If 1, PADS_QSPI can be accessed from a Non-secure, Privileged context. | RW | 0x0 |
| 0 | NSU: If 1, and NSP is also set, PADS_QSPI can be accessed from a Non-secure, Unprivileged context. This bit is writable from a Non-secure, Privileged context, if and only if the NSP bit is set. | RW | 0x0 |

ACCESSCTRL: BUSCTRL Register

Offset: 0x78

Description

Control whether debugger, DMA, core 0 and core 1 can access BUSCTRL, and at what security/privilege levels they can do so.

Defaults to Secure access from any master.

This register is writable only from a Secure, Privileged processor or debugger, with the exception of the NSU bit, which becomes Non-secure-Privileged-writable when the NSP bit is set.

Table 942. BUSCTRL Register

| Bits | Description | Type | Reset |
|------|--|------|-------|
| 31:8 | Reserved. | - | - |
| 7 | DBG: If 1, BUSCTRL can be accessed by the debugger, at security/privilege levels permitted by SP/NSP/SU/NSU in this register. | RW | 0x1 |
| 6 | DMA: If 1, BUSCTRL can be accessed by the DMA, at security/privilege levels permitted by SP/NSP/SU/NSU in this register. | RW | 0x1 |
| 5 | CORE1: If 1, BUSCTRL can be accessed by core 1, at security/privilege levels permitted by SP/NSP/SU/NSU in this register. | RW | 0x1 |
| 4 | CORE0: If 1, BUSCTRL can be accessed by core 0, at security/privilege levels permitted by SP/NSP/SU/NSU in this register. | RW | 0x1 |
| 3 | SP: If 1, BUSCTRL can be accessed from a Secure, Privileged context. | RW | 0x1 |
| 2 | SU: If 1, and SP is also set, BUSCTRL can be accessed from a Secure, Unprivileged context. | RW | 0x1 |
| 1 | NSP: If 1, BUSCTRL can be accessed from a Non-secure, Privileged context. | RW | 0x0 |

| Bits | Description | Type | Reset |
|------|--|------|-------|
| 0 | <p>NSU: If 1, and NSP is also set, BUSCTRL can be accessed from a Non-secure, Unprivileged context.</p> <p>This bit is writable from a Non-secure, Privileged context, if and only if the NSP bit is set.</p> | RW | 0x0 |

ACCESSCTRL: ADC Register

Offset: 0x7c

Description

Control whether debugger, DMA, core 0 and core 1 can access ADC, and at what security/privilege levels they can do so.

Defaults to Secure access from any master.

This register is writable only from a Secure, Privileged processor or debugger, with the exception of the NSU bit, which becomes Non-secure-Privileged-writable when the NSP bit is set.

Table 943. ADC Register

| Bits | Description | Type | Reset |
|------|--|------|-------|
| 31:8 | Reserved. | - | - |
| 7 | DBG: If 1, ADC can be accessed by the debugger, at security/privilege levels permitted by SP/NSP/SU/NSU in this register. | RW | 0x1 |
| 6 | DMA: If 1, ADC can be accessed by the DMA, at security/privilege levels permitted by SP/NSP/SU/NSU in this register. | RW | 0x1 |
| 5 | CORE1: If 1, ADC can be accessed by core 1, at security/privilege levels permitted by SP/NSP/SU/NSU in this register. | RW | 0x1 |
| 4 | CORE0: If 1, ADC can be accessed by core 0, at security/privilege levels permitted by SP/NSP/SU/NSU in this register. | RW | 0x1 |
| 3 | SP: If 1, ADC can be accessed from a Secure, Privileged context. | RW | 0x1 |
| 2 | SU: If 1, and SP is also set, ADC can be accessed from a Secure, Unprivileged context. | RW | 0x1 |
| 1 | NSP: If 1, ADC can be accessed from a Non-secure, Privileged context. | RW | 0x0 |
| 0 | <p>NSU: If 1, and NSP is also set, ADC can be accessed from a Non-secure, Unprivileged context.</p> <p>This bit is writable from a Non-secure, Privileged context, if and only if the NSP bit is set.</p> | RW | 0x0 |

ACCESSCTRL: HSTX Register

Offset: 0x80

Description

Control whether debugger, DMA, core 0 and core 1 can access HSTX, and at what security/privilege levels they can do so.

Defaults to Secure access from any master.

This register is writable only from a Secure, Privileged processor or debugger, with the exception of the NSU bit, which becomes Non-secure-Privileged-writable when the NSP bit is set.

Table 944. HSTX Register

| Bits | Description | Type | Reset |
|------|---|------|-------|
| 31:8 | Reserved. | - | - |
| 7 | DBG : If 1, HSTX can be accessed by the debugger, at security/privilege levels permitted by SP/NSP/SU/NSU in this register. | RW | 0x1 |
| 6 | DMA : If 1, HSTX can be accessed by the DMA, at security/privilege levels permitted by SP/NSP/SU/NSU in this register. | RW | 0x1 |
| 5 | CORE1 : If 1, HSTX can be accessed by core 1, at security/privilege levels permitted by SP/NSP/SU/NSU in this register. | RW | 0x1 |
| 4 | CORE0 : If 1, HSTX can be accessed by core 0, at security/privilege levels permitted by SP/NSP/SU/NSU in this register. | RW | 0x1 |
| 3 | SP : If 1, HSTX can be accessed from a Secure, Privileged context. | RW | 0x1 |
| 2 | SU : If 1, and SP is also set, HSTX can be accessed from a Secure, Unprivileged context. | RW | 0x1 |
| 1 | NSP : If 1, HSTX can be accessed from a Non-secure, Privileged context. | RW | 0x0 |
| 0 | NSU : If 1, and NSP is also set, HSTX can be accessed from a Non-secure, Unprivileged context. This bit is writable from a Non-secure, Privileged context, if and only if the NSP bit is set. | RW | 0x0 |

ACCESSCTRL: I2C0 Register

Offset: 0x84

Description

Control whether debugger, DMA, core 0 and core 1 can access I2C0, and at what security/privilege levels they can do so.

Defaults to Secure access from any master.

This register is writable only from a Secure, Privileged processor or debugger, with the exception of the NSU bit, which becomes Non-secure-Privileged-writable when the NSP bit is set.

Table 945. I2C0 Register

| Bits | Description | Type | Reset |
|------|--|------|-------|
| 31:8 | Reserved. | - | - |
| 7 | DBG : If 1, I2C0 can be accessed by the debugger, at security/privilege levels permitted by SP/NSP/SU/NSU in this register. | RW | 0x1 |
| 6 | DMA : If 1, I2C0 can be accessed by the DMA, at security/privilege levels permitted by SP/NSP/SU/NSU in this register. | RW | 0x1 |
| 5 | CORE1 : If 1, I2C0 can be accessed by core 1, at security/privilege levels permitted by SP/NSP/SU/NSU in this register. | RW | 0x1 |
| 4 | CORE0 : If 1, I2C0 can be accessed by core 0, at security/privilege levels permitted by SP/NSP/SU/NSU in this register. | RW | 0x1 |
| 3 | SP : If 1, I2C0 can be accessed from a Secure, Privileged context. | RW | 0x1 |
| 2 | SU : If 1, and SP is also set, I2C0 can be accessed from a Secure, Unprivileged context. | RW | 0x1 |
| 1 | NSP : If 1, I2C0 can be accessed from a Non-secure, Privileged context. | RW | 0x0 |

| Bits | Description | Type | Reset |
|------|---|------|-------|
| 0 | <p>NSU: If 1, and NSP is also set, I2C0 can be accessed from a Non-secure, Unprivileged context.</p> <p>This bit is writable from a Non-secure, Privileged context, if and only if the NSP bit is set.</p> | RW | 0x0 |

ACCESSCTRL: I2C1 Register

Offset: 0x88

Description

Control whether debugger, DMA, core 0 and core 1 can access I2C1, and at what security/privilege levels they can do so.

Defaults to Secure access from any master.

This register is writable only from a Secure, Privileged processor or debugger, with the exception of the NSU bit, which becomes Non-secure-Privileged-writable when the NSP bit is set.

Table 946. I2C1 Register

| Bits | Description | Type | Reset |
|------|---|------|-------|
| 31:8 | Reserved. | - | - |
| 7 | DBG: If 1, I2C1 can be accessed by the debugger, at security/privilege levels permitted by SP/NSP/SU/NSU in this register. | RW | 0x1 |
| 6 | DMA: If 1, I2C1 can be accessed by the DMA, at security/privilege levels permitted by SP/NSP/SU/NSU in this register. | RW | 0x1 |
| 5 | CORE1: If 1, I2C1 can be accessed by core 1, at security/privilege levels permitted by SP/NSP/SU/NSU in this register. | RW | 0x1 |
| 4 | CORE0: If 1, I2C1 can be accessed by core 0, at security/privilege levels permitted by SP/NSP/SU/NSU in this register. | RW | 0x1 |
| 3 | SP: If 1, I2C1 can be accessed from a Secure, Privileged context. | RW | 0x1 |
| 2 | SU: If 1, and SP is also set, I2C1 can be accessed from a Secure, Unprivileged context. | RW | 0x1 |
| 1 | NSP: If 1, I2C1 can be accessed from a Non-secure, Privileged context. | RW | 0x0 |
| 0 | <p>NSU: If 1, and NSP is also set, I2C1 can be accessed from a Non-secure, Unprivileged context.</p> <p>This bit is writable from a Non-secure, Privileged context, if and only if the NSP bit is set.</p> | RW | 0x0 |

ACCESSCTRL: PWM Register

Offset: 0x8c

Description

Control whether debugger, DMA, core 0 and core 1 can access PWM, and at what security/privilege levels they can do so.

Defaults to Secure access from any master.

This register is writable only from a Secure, Privileged processor or debugger, with the exception of the NSU bit, which becomes Non-secure-Privileged-writable when the NSP bit is set.

Table 947. PWM Register

| Bits | Description | Type | Reset |
|------|--|------|-------|
| 31:8 | Reserved. | - | - |
| 7 | DBG : If 1, PWM can be accessed by the debugger, at security/privilege levels permitted by SP/NSP/SU/NSU in this register. | RW | 0x1 |
| 6 | DMA : If 1, PWM can be accessed by the DMA, at security/privilege levels permitted by SP/NSP/SU/NSU in this register. | RW | 0x1 |
| 5 | CORE1 : If 1, PWM can be accessed by core 1, at security/privilege levels permitted by SP/NSP/SU/NSU in this register. | RW | 0x1 |
| 4 | CORE0 : If 1, PWM can be accessed by core 0, at security/privilege levels permitted by SP/NSP/SU/NSU in this register. | RW | 0x1 |
| 3 | SP : If 1, PWM can be accessed from a Secure, Privileged context. | RW | 0x1 |
| 2 | SU : If 1, and SP is also set, PWM can be accessed from a Secure, Unprivileged context. | RW | 0x1 |
| 1 | NSP : If 1, PWM can be accessed from a Non-secure, Privileged context. | RW | 0x0 |
| 0 | NSU : If 1, and NSP is also set, PWM can be accessed from a Non-secure, Unprivileged context. This bit is writable from a Non-secure, Privileged context, if and only if the NSP bit is set. | RW | 0x0 |

ACCESSCTRL: SPI0 Register

Offset: 0x90

Description

Control whether debugger, DMA, core 0 and core 1 can access SPI0, and at what security/privilege levels they can do so.

Defaults to Secure access from any master.

This register is writable only from a Secure, Privileged processor or debugger, with the exception of the NSU bit, which becomes Non-secure-Privileged-writable when the NSP bit is set.

Table 948. SPI0 Register

| Bits | Description | Type | Reset |
|------|--|------|-------|
| 31:8 | Reserved. | - | - |
| 7 | DBG : If 1, SPI0 can be accessed by the debugger, at security/privilege levels permitted by SP/NSP/SU/NSU in this register. | RW | 0x1 |
| 6 | DMA : If 1, SPI0 can be accessed by the DMA, at security/privilege levels permitted by SP/NSP/SU/NSU in this register. | RW | 0x1 |
| 5 | CORE1 : If 1, SPI0 can be accessed by core 1, at security/privilege levels permitted by SP/NSP/SU/NSU in this register. | RW | 0x1 |
| 4 | CORE0 : If 1, SPI0 can be accessed by core 0, at security/privilege levels permitted by SP/NSP/SU/NSU in this register. | RW | 0x1 |
| 3 | SP : If 1, SPI0 can be accessed from a Secure, Privileged context. | RW | 0x1 |
| 2 | SU : If 1, and SP is also set, SPI0 can be accessed from a Secure, Unprivileged context. | RW | 0x1 |
| 1 | NSP : If 1, SPI0 can be accessed from a Non-secure, Privileged context. | RW | 0x0 |

| Bits | Description | Type | Reset |
|------|---|------|-------|
| 0 | <p>NSU: If 1, and NSP is also set, SPI0 can be accessed from a Non-secure, Unprivileged context.</p> <p>This bit is writable from a Non-secure, Privileged context, if and only if the NSP bit is set.</p> | RW | 0x0 |

ACCESSCTRL: SPI1 Register

Offset: 0x94

Description

Control whether debugger, DMA, core 0 and core 1 can access SPI1, and at what security/privilege levels they can do so.

Defaults to Secure access from any master.

This register is writable only from a Secure, Privileged processor or debugger, with the exception of the NSU bit, which becomes Non-secure-Privileged-writable when the NSP bit is set.

Table 949. SPI1 Register

| Bits | Description | Type | Reset |
|------|---|------|-------|
| 31:8 | Reserved. | - | - |
| 7 | DBG: If 1, SPI1 can be accessed by the debugger, at security/privilege levels permitted by SP/NSP/SU/NSU in this register. | RW | 0x1 |
| 6 | DMA: If 1, SPI1 can be accessed by the DMA, at security/privilege levels permitted by SP/NSP/SU/NSU in this register. | RW | 0x1 |
| 5 | CORE1: If 1, SPI1 can be accessed by core 1, at security/privilege levels permitted by SP/NSP/SU/NSU in this register. | RW | 0x1 |
| 4 | CORE0: If 1, SPI1 can be accessed by core 0, at security/privilege levels permitted by SP/NSP/SU/NSU in this register. | RW | 0x1 |
| 3 | SP: If 1, SPI1 can be accessed from a Secure, Privileged context. | RW | 0x1 |
| 2 | SU: If 1, and SP is also set, SPI1 can be accessed from a Secure, Unprivileged context. | RW | 0x1 |
| 1 | NSP: If 1, SPI1 can be accessed from a Non-secure, Privileged context. | RW | 0x0 |
| 0 | <p>NSU: If 1, and NSP is also set, SPI1 can be accessed from a Non-secure, Unprivileged context.</p> <p>This bit is writable from a Non-secure, Privileged context, if and only if the NSP bit is set.</p> | RW | 0x0 |

ACCESSCTRL: TIMER0 Register

Offset: 0x98

Description

Control whether debugger, DMA, core 0 and core 1 can access TIMER0, and at what security/privilege levels they can do so.

Defaults to Secure access from any master.

This register is writable only from a Secure, Privileged processor or debugger, with the exception of the NSU bit, which becomes Non-secure-Privileged-writable when the NSP bit is set.

Table 950. *TIMER0* Register

| Bits | Description | Type | Reset |
|------|--|------|-------|
| 31:8 | Reserved. | - | - |
| 7 | DBG : If 1, <i>TIMER0</i> can be accessed by the debugger, at security/privilege levels permitted by SP/NSP/SU/NSU in this register. | RW | 0x1 |
| 6 | DMA : If 1, <i>TIMER0</i> can be accessed by the DMA, at security/privilege levels permitted by SP/NSP/SU/NSU in this register. | RW | 0x1 |
| 5 | CORE1 : If 1, <i>TIMER0</i> can be accessed by core 1, at security/privilege levels permitted by SP/NSP/SU/NSU in this register. | RW | 0x1 |
| 4 | CORE0 : If 1, <i>TIMER0</i> can be accessed by core 0, at security/privilege levels permitted by SP/NSP/SU/NSU in this register. | RW | 0x1 |
| 3 | SP : If 1, <i>TIMER0</i> can be accessed from a Secure, Privileged context. | RW | 0x1 |
| 2 | SU : If 1, and SP is also set, <i>TIMER0</i> can be accessed from a Secure, Unprivileged context. | RW | 0x1 |
| 1 | NSP : If 1, <i>TIMER0</i> can be accessed from a Non-secure, Privileged context. | RW | 0x0 |
| 0 | NSU : If 1, and NSP is also set, <i>TIMER0</i> can be accessed from a Non-secure, Unprivileged context. This bit is writable from a Non-secure, Privileged context, if and only if the NSP bit is set. | RW | 0x0 |

ACCESSCTRL: *TIMER1* Register

Offset: 0x9c

Description

Control whether debugger, DMA, core 0 and core 1 can access *TIMER1*, and at what security/privilege levels they can do so.

Defaults to Secure access from any master.

This register is writable only from a Secure, Privileged processor or debugger, with the exception of the NSU bit, which becomes Non-secure-Privileged-writable when the NSP bit is set.

Table 951. *TIMER1* Register

| Bits | Description | Type | Reset |
|------|---|------|-------|
| 31:8 | Reserved. | - | - |
| 7 | DBG : If 1, <i>TIMER1</i> can be accessed by the debugger, at security/privilege levels permitted by SP/NSP/SU/NSU in this register. | RW | 0x1 |
| 6 | DMA : If 1, <i>TIMER1</i> can be accessed by the DMA, at security/privilege levels permitted by SP/NSP/SU/NSU in this register. | RW | 0x1 |
| 5 | CORE1 : If 1, <i>TIMER1</i> can be accessed by core 1, at security/privilege levels permitted by SP/NSP/SU/NSU in this register. | RW | 0x1 |
| 4 | CORE0 : If 1, <i>TIMER1</i> can be accessed by core 0, at security/privilege levels permitted by SP/NSP/SU/NSU in this register. | RW | 0x1 |
| 3 | SP : If 1, <i>TIMER1</i> can be accessed from a Secure, Privileged context. | RW | 0x1 |
| 2 | SU : If 1, and SP is also set, <i>TIMER1</i> can be accessed from a Secure, Unprivileged context. | RW | 0x1 |
| 1 | NSP : If 1, <i>TIMER1</i> can be accessed from a Non-secure, Privileged context. | RW | 0x0 |

| Bits | Description | Type | Reset |
|------|---|------|-------|
| 0 | <p>NSU: If 1, and NSP is also set, TIMER1 can be accessed from a Non-secure, Unprivileged context.</p> <p>This bit is writable from a Non-secure, Privileged context, if and only if the NSP bit is set.</p> | RW | 0x0 |

ACCESSCTRL: UART0 Register

Offset: 0xa0

Description

Control whether debugger, DMA, core 0 and core 1 can access UART0, and at what security/privilege levels they can do so.

Defaults to Secure access from any master.

This register is writable only from a Secure, Privileged processor or debugger, with the exception of the NSU bit, which becomes Non-secure-Privileged-writable when the NSP bit is set.

Table 952. UART0 Register

| Bits | Description | Type | Reset |
|------|--|------|-------|
| 31:8 | Reserved. | - | - |
| 7 | DBG: If 1, UART0 can be accessed by the debugger, at security/privilege levels permitted by SP/NSP/SU/NSU in this register. | RW | 0x1 |
| 6 | DMA: If 1, UART0 can be accessed by the DMA, at security/privilege levels permitted by SP/NSP/SU/NSU in this register. | RW | 0x1 |
| 5 | CORE1: If 1, UART0 can be accessed by core 1, at security/privilege levels permitted by SP/NSP/SU/NSU in this register. | RW | 0x1 |
| 4 | CORE0: If 1, UART0 can be accessed by core 0, at security/privilege levels permitted by SP/NSP/SU/NSU in this register. | RW | 0x1 |
| 3 | SP: If 1, UART0 can be accessed from a Secure, Privileged context. | RW | 0x1 |
| 2 | SU: If 1, and SP is also set, UART0 can be accessed from a Secure, Unprivileged context. | RW | 0x1 |
| 1 | NSP: If 1, UART0 can be accessed from a Non-secure, Privileged context. | RW | 0x0 |
| 0 | <p>NSU: If 1, and NSP is also set, UART0 can be accessed from a Non-secure, Unprivileged context.</p> <p>This bit is writable from a Non-secure, Privileged context, if and only if the NSP bit is set.</p> | RW | 0x0 |

ACCESSCTRL: UART1 Register

Offset: 0xa4

Description

Control whether debugger, DMA, core 0 and core 1 can access UART1, and at what security/privilege levels they can do so.

Defaults to Secure access from any master.

This register is writable only from a Secure, Privileged processor or debugger, with the exception of the NSU bit, which becomes Non-secure-Privileged-writable when the NSP bit is set.

Table 953. UART1 Register

| Bits | Description | Type | Reset |
|------|--|------|-------|
| 31:8 | Reserved. | - | - |
| 7 | DBG : If 1, UART1 can be accessed by the debugger, at security/privilege levels permitted by SP/NSP/SU/NSU in this register. | RW | 0x1 |
| 6 | DMA : If 1, UART1 can be accessed by the DMA, at security/privilege levels permitted by SP/NSP/SU/NSU in this register. | RW | 0x1 |
| 5 | CORE1 : If 1, UART1 can be accessed by core 1, at security/privilege levels permitted by SP/NSP/SU/NSU in this register. | RW | 0x1 |
| 4 | CORE0 : If 1, UART1 can be accessed by core 0, at security/privilege levels permitted by SP/NSP/SU/NSU in this register. | RW | 0x1 |
| 3 | SP : If 1, UART1 can be accessed from a Secure, Privileged context. | RW | 0x1 |
| 2 | SU : If 1, and SP is also set, UART1 can be accessed from a Secure, Unprivileged context. | RW | 0x1 |
| 1 | NSP : If 1, UART1 can be accessed from a Non-secure, Privileged context. | RW | 0x0 |
| 0 | NSU : If 1, and NSP is also set, UART1 can be accessed from a Non-secure, Unprivileged context. This bit is writable from a Non-secure, Privileged context, if and only if the NSP bit is set. | RW | 0x0 |

ACCESSCTRL: OTP Register

Offset: 0xa8

Description

Control whether debugger, DMA, core 0 and core 1 can access OTP, and at what security/privilege levels they can do so.

Defaults to Secure access from any master.

This register is writable only from a Secure, Privileged processor or debugger, with the exception of the NSU bit, which becomes Non-secure-Privileged-writable when the NSP bit is set.

Table 954. OTP Register

| Bits | Description | Type | Reset |
|------|---|------|-------|
| 31:8 | Reserved. | - | - |
| 7 | DBG : If 1, OTP can be accessed by the debugger, at security/privilege levels permitted by SP/NSP/SU/NSU in this register. | RW | 0x1 |
| 6 | DMA : If 1, OTP can be accessed by the DMA, at security/privilege levels permitted by SP/NSP/SU/NSU in this register. | RW | 0x1 |
| 5 | CORE1 : If 1, OTP can be accessed by core 1, at security/privilege levels permitted by SP/NSP/SU/NSU in this register. | RW | 0x1 |
| 4 | CORE0 : If 1, OTP can be accessed by core 0, at security/privilege levels permitted by SP/NSP/SU/NSU in this register. | RW | 0x1 |
| 3 | SP : If 1, OTP can be accessed from a Secure, Privileged context. | RW | 0x1 |
| 2 | SU : If 1, and SP is also set, OTP can be accessed from a Secure, Unprivileged context. | RW | 0x1 |
| 1 | NSP : If 1, OTP can be accessed from a Non-secure, Privileged context. | RW | 0x0 |

| Bits | Description | Type | Reset |
|------|--|------|-------|
| 0 | <p>NSU: If 1, and NSP is also set, OTP can be accessed from a Non-secure, Unprivileged context.</p> <p>This bit is writable from a Non-secure, Privileged context, if and only if the NSP bit is set.</p> | RW | 0x0 |

ACCESSCTRL: TBMAN Register

Offset: 0xac

Description

Control whether debugger, DMA, core 0 and core 1 can access TBMAN, and at what security/privilege levels they can do so.

Defaults to Secure access from any master.

This register is writable only from a Secure, Privileged processor or debugger, with the exception of the NSU bit, which becomes Non-secure-Privileged-writable when the NSP bit is set.

Table 955. TBMAN Register

| Bits | Description | Type | Reset |
|------|--|------|-------|
| 31:8 | Reserved. | - | - |
| 7 | DBG: If 1, TBMAN can be accessed by the debugger, at security/privilege levels permitted by SP/NSP/SU/NSU in this register. | RW | 0x1 |
| 6 | DMA: If 1, TBMAN can be accessed by the DMA, at security/privilege levels permitted by SP/NSP/SU/NSU in this register. | RW | 0x1 |
| 5 | CORE1: If 1, TBMAN can be accessed by core 1, at security/privilege levels permitted by SP/NSP/SU/NSU in this register. | RW | 0x1 |
| 4 | CORE0: If 1, TBMAN can be accessed by core 0, at security/privilege levels permitted by SP/NSP/SU/NSU in this register. | RW | 0x1 |
| 3 | SP: If 1, TBMAN can be accessed from a Secure, Privileged context. | RW | 0x1 |
| 2 | SU: If 1, and SP is also set, TBMAN can be accessed from a Secure, Unprivileged context. | RW | 0x1 |
| 1 | NSP: If 1, TBMAN can be accessed from a Non-secure, Privileged context. | RW | 0x0 |
| 0 | <p>NSU: If 1, and NSP is also set, TBMAN can be accessed from a Non-secure, Unprivileged context.</p> <p>This bit is writable from a Non-secure, Privileged context, if and only if the NSP bit is set.</p> | RW | 0x0 |

ACCESSCTRL: POWMAN Register

Offset: 0xb0

Description

Control whether debugger, DMA, core 0 and core 1 can access POWMAN, and at what security/privilege levels they can do so.

Defaults to Secure, Privileged processor or debug access only.

This register is writable only from a Secure, Privileged processor or debugger, with the exception of the NSU bit, which becomes Non-secure-Privileged-writable when the NSP bit is set.

Table 956. POWMAN Register

| Bits | Description | Type | Reset |
|------|---|------|-------|
| 31:8 | Reserved. | - | - |
| 7 | DBG : If 1, POWMAN can be accessed by the debugger, at security/privilege levels permitted by SP/NSP/SU/NSU in this register. | RW | 0x1 |
| 6 | DMA : If 1, POWMAN can be accessed by the DMA, at security/privilege levels permitted by SP/NSP/SU/NSU in this register. | RW | 0x0 |
| 5 | CORE1 : If 1, POWMAN can be accessed by core 1, at security/privilege levels permitted by SP/NSP/SU/NSU in this register. | RW | 0x1 |
| 4 | CORE0 : If 1, POWMAN can be accessed by core 0, at security/privilege levels permitted by SP/NSP/SU/NSU in this register. | RW | 0x1 |
| 3 | SP : If 1, POWMAN can be accessed from a Secure, Privileged context. | RW | 0x1 |
| 2 | SU : If 1, and SP is also set, POWMAN can be accessed from a Secure, Unprivileged context. | RW | 0x0 |
| 1 | NSP : If 1, POWMAN can be accessed from a Non-secure, Privileged context. | RW | 0x0 |
| 0 | NSU : If 1, and NSP is also set, POWMAN can be accessed from a Non-secure, Unprivileged context. This bit is writable from a Non-secure, Privileged context, if and only if the NSP bit is set. | RW | 0x0 |

ACCESSCTRL: TRNG Register

Offset: 0xb4

Description

Control whether debugger, DMA, core 0 and core 1 can access TRNG, and at what security/privilege levels they can do so.

Defaults to Secure, Privileged processor or debug access only.

This register is writable only from a Secure, Privileged processor or debugger, with the exception of the NSU bit, which becomes Non-secure-Privileged-writable when the NSP bit is set.

Table 957. TRNG Register

| Bits | Description | Type | Reset |
|------|--|------|-------|
| 31:8 | Reserved. | - | - |
| 7 | DBG : If 1, TRNG can be accessed by the debugger, at security/privilege levels permitted by SP/NSP/SU/NSU in this register. | RW | 0x1 |
| 6 | DMA : If 1, TRNG can be accessed by the DMA, at security/privilege levels permitted by SP/NSP/SU/NSU in this register. | RW | 0x0 |
| 5 | CORE1 : If 1, TRNG can be accessed by core 1, at security/privilege levels permitted by SP/NSP/SU/NSU in this register. | RW | 0x1 |
| 4 | CORE0 : If 1, TRNG can be accessed by core 0, at security/privilege levels permitted by SP/NSP/SU/NSU in this register. | RW | 0x1 |
| 3 | SP : If 1, TRNG can be accessed from a Secure, Privileged context. | RW | 0x1 |
| 2 | SU : If 1, and SP is also set, TRNG can be accessed from a Secure, Unprivileged context. | RW | 0x0 |
| 1 | NSP : If 1, TRNG can be accessed from a Non-secure, Privileged context. | RW | 0x0 |

| Bits | Description | Type | Reset |
|------|---|------|-------|
| 0 | <p>NSU: If 1, and NSP is also set, TRNG can be accessed from a Non-secure, Unprivileged context.</p> <p>This bit is writable from a Non-secure, Privileged context, if and only if the NSP bit is set.</p> | RW | 0x0 |

ACCESSCTRL: SHA256 Register

Offset: 0xb8

Description

Control whether debugger, DMA, core 0 and core 1 can access SHA256, and at what security/privilege levels they can do so.

Defaults to Secure, Privileged access only.

This register is writable only from a Secure, Privileged processor or debugger, with the exception of the NSU bit, which becomes Non-secure-Privileged-writable when the NSP bit is set.

Table 958. SHA256 Register

| Bits | Description | Type | Reset |
|------|---|------|-------|
| 31:8 | Reserved. | - | - |
| 7 | DBG: If 1, SHA256 can be accessed by the debugger, at security/privilege levels permitted by SP/NSP/SU/NSU in this register. | RW | 0x1 |
| 6 | DMA: If 1, SHA256 can be accessed by the DMA, at security/privilege levels permitted by SP/NSP/SU/NSU in this register. | RW | 0x1 |
| 5 | CORE1: If 1, SHA256 can be accessed by core 1, at security/privilege levels permitted by SP/NSP/SU/NSU in this register. | RW | 0x1 |
| 4 | CORE0: If 1, SHA256 can be accessed by core 0, at security/privilege levels permitted by SP/NSP/SU/NSU in this register. | RW | 0x1 |
| 3 | SP: If 1, SHA256 can be accessed from a Secure, Privileged context. | RW | 0x1 |
| 2 | SU: If 1, and SP is also set, SHA256 can be accessed from a Secure, Unprivileged context. | RW | 0x0 |
| 1 | NSP: If 1, SHA256 can be accessed from a Non-secure, Privileged context. | RW | 0x0 |
| 0 | <p>NSU: If 1, and NSP is also set, SHA256 can be accessed from a Non-secure, Unprivileged context.</p> <p>This bit is writable from a Non-secure, Privileged context, if and only if the NSP bit is set.</p> | RW | 0x0 |

ACCESSCTRL: SYSCFG Register

Offset: 0xbc

Description

Control whether debugger, DMA, core 0 and core 1 can access SYSCFG, and at what security/privilege levels they can do so.

Defaults to Secure, Privileged processor or debug access only.

This register is writable only from a Secure, Privileged processor or debugger, with the exception of the NSU bit, which becomes Non-secure-Privileged-writable when the NSP bit is set.

Table 959. SYSCFG Register

| Bits | Description | Type | Reset |
|------|---|------|-------|
| 31:8 | Reserved. | - | - |
| 7 | DBG : If 1, SYSCFG can be accessed by the debugger, at security/privilege levels permitted by SP/NSP/SU/NSU in this register. | RW | 0x1 |
| 6 | DMA : If 1, SYSCFG can be accessed by the DMA, at security/privilege levels permitted by SP/NSP/SU/NSU in this register. | RW | 0x0 |
| 5 | CORE1 : If 1, SYSCFG can be accessed by core 1, at security/privilege levels permitted by SP/NSP/SU/NSU in this register. | RW | 0x1 |
| 4 | CORE0 : If 1, SYSCFG can be accessed by core 0, at security/privilege levels permitted by SP/NSP/SU/NSU in this register. | RW | 0x1 |
| 3 | SP : If 1, SYSCFG can be accessed from a Secure, Privileged context. | RW | 0x1 |
| 2 | SU : If 1, and SP is also set, SYSCFG can be accessed from a Secure, Unprivileged context. | RW | 0x0 |
| 1 | NSP : If 1, SYSCFG can be accessed from a Non-secure, Privileged context. | RW | 0x0 |
| 0 | NSU : If 1, and NSP is also set, SYSCFG can be accessed from a Non-secure, Unprivileged context. This bit is writable from a Non-secure, Privileged context, if and only if the NSP bit is set. | RW | 0x0 |

ACCESSCTRL: CLOCKS Register

Offset: 0xc0

Description

Control whether debugger, DMA, core 0 and core 1 can access CLOCKS, and at what security/privilege levels they can do so.

Defaults to Secure, Privileged processor or debug access only.

This register is writable only from a Secure, Privileged processor or debugger, with the exception of the NSU bit, which becomes Non-secure-Privileged-writable when the NSP bit is set.

Table 960. CLOCKS Register

| Bits | Description | Type | Reset |
|------|--|------|-------|
| 31:8 | Reserved. | - | - |
| 7 | DBG : If 1, CLOCKS can be accessed by the debugger, at security/privilege levels permitted by SP/NSP/SU/NSU in this register. | RW | 0x1 |
| 6 | DMA : If 1, CLOCKS can be accessed by the DMA, at security/privilege levels permitted by SP/NSP/SU/NSU in this register. | RW | 0x0 |
| 5 | CORE1 : If 1, CLOCKS can be accessed by core 1, at security/privilege levels permitted by SP/NSP/SU/NSU in this register. | RW | 0x1 |
| 4 | CORE0 : If 1, CLOCKS can be accessed by core 0, at security/privilege levels permitted by SP/NSP/SU/NSU in this register. | RW | 0x1 |
| 3 | SP : If 1, CLOCKS can be accessed from a Secure, Privileged context. | RW | 0x1 |
| 2 | SU : If 1, and SP is also set, CLOCKS can be accessed from a Secure, Unprivileged context. | RW | 0x0 |
| 1 | NSP : If 1, CLOCKS can be accessed from a Non-secure, Privileged context. | RW | 0x0 |

| Bits | Description | Type | Reset |
|------|---|------|-------|
| 0 | <p>NSU: If 1, and NSP is also set, CLOCKS can be accessed from a Non-secure, Unprivileged context.</p> <p>This bit is writable from a Non-secure, Privileged context, if and only if the NSP bit is set.</p> | RW | 0x0 |

ACCESSCTRL: XOSC Register

Offset: 0xc4

Description

Control whether debugger, DMA, core 0 and core 1 can access XOSC, and at what security/privilege levels they can do so.

Defaults to Secure, Privileged processor or debug access only.

This register is writable only from a Secure, Privileged processor or debugger, with the exception of the NSU bit, which becomes Non-secure-Privileged-writable when the NSP bit is set.

Table 961. XOSC Register

| Bits | Description | Type | Reset |
|------|---|------|-------|
| 31:8 | Reserved. | - | - |
| 7 | DBG: If 1, XOSC can be accessed by the debugger, at security/privilege levels permitted by SP/NSP/SU/NSU in this register. | RW | 0x1 |
| 6 | DMA: If 1, XOSC can be accessed by the DMA, at security/privilege levels permitted by SP/NSP/SU/NSU in this register. | RW | 0x0 |
| 5 | CORE1: If 1, XOSC can be accessed by core 1, at security/privilege levels permitted by SP/NSP/SU/NSU in this register. | RW | 0x1 |
| 4 | CORE0: If 1, XOSC can be accessed by core 0, at security/privilege levels permitted by SP/NSP/SU/NSU in this register. | RW | 0x1 |
| 3 | SP: If 1, XOSC can be accessed from a Secure, Privileged context. | RW | 0x1 |
| 2 | SU: If 1, and SP is also set, XOSC can be accessed from a Secure, Unprivileged context. | RW | 0x0 |
| 1 | NSP: If 1, XOSC can be accessed from a Non-secure, Privileged context. | RW | 0x0 |
| 0 | <p>NSU: If 1, and NSP is also set, XOSC can be accessed from a Non-secure, Unprivileged context.</p> <p>This bit is writable from a Non-secure, Privileged context, if and only if the NSP bit is set.</p> | RW | 0x0 |

ACCESSCTRL: ROSC Register

Offset: 0xc8

Description

Control whether debugger, DMA, core 0 and core 1 can access ROSC, and at what security/privilege levels they can do so.

Defaults to Secure, Privileged processor or debug access only.

This register is writable only from a Secure, Privileged processor or debugger, with the exception of the NSU bit, which becomes Non-secure-Privileged-writable when the NSP bit is set.

Table 962. ROSC Register

| Bits | Description | Type | Reset |
|------|--|------|-------|
| 31:8 | Reserved. | - | - |
| 7 | DBG: If 1, ROSC can be accessed by the debugger, at security/privilege levels permitted by SP/NSP/SU/NSU in this register. | RW | 0x1 |
| 6 | DMA: If 1, ROSC can be accessed by the DMA, at security/privilege levels permitted by SP/NSP/SU/NSU in this register. | RW | 0x0 |
| 5 | CORE1: If 1, ROSC can be accessed by core 1, at security/privilege levels permitted by SP/NSP/SU/NSU in this register. | RW | 0x1 |
| 4 | CORE0: If 1, ROSC can be accessed by core 0, at security/privilege levels permitted by SP/NSP/SU/NSU in this register. | RW | 0x1 |
| 3 | SP: If 1, ROSC can be accessed from a Secure, Privileged context. | RW | 0x1 |
| 2 | SU: If 1, and SP is also set, ROSC can be accessed from a Secure, Unprivileged context. | RW | 0x0 |
| 1 | NSP: If 1, ROSC can be accessed from a Non-secure, Privileged context. | RW | 0x0 |
| 0 | NSU: If 1, and NSP is also set, ROSC can be accessed from a Non-secure, Unprivileged context. This bit is writable from a Non-secure, Privileged context, if and only if the NSP bit is set. | RW | 0x0 |

ACCESSCTRL: PLL_SYS Register

Offset: 0xcc

Description

Control whether debugger, DMA, core 0 and core 1 can access PLL_SYS, and at what security/privilege levels they can do so.

Defaults to Secure, Privileged processor or debug access only.

This register is writable only from a Secure, Privileged processor or debugger, with the exception of the NSU bit, which becomes Non-secure-Privileged-writable when the NSP bit is set.

Table 963. PLL_SYS Register

| Bits | Description | Type | Reset |
|------|--|------|-------|
| 31:8 | Reserved. | - | - |
| 7 | DBG: If 1, PLL_SYS can be accessed by the debugger, at security/privilege levels permitted by SP/NSP/SU/NSU in this register. | RW | 0x1 |
| 6 | DMA: If 1, PLL_SYS can be accessed by the DMA, at security/privilege levels permitted by SP/NSP/SU/NSU in this register. | RW | 0x0 |
| 5 | CORE1: If 1, PLL_SYS can be accessed by core 1, at security/privilege levels permitted by SP/NSP/SU/NSU in this register. | RW | 0x1 |
| 4 | CORE0: If 1, PLL_SYS can be accessed by core 0, at security/privilege levels permitted by SP/NSP/SU/NSU in this register. | RW | 0x1 |
| 3 | SP: If 1, PLL_SYS can be accessed from a Secure, Privileged context. | RW | 0x1 |
| 2 | SU: If 1, and SP is also set, PLL_SYS can be accessed from a Secure, Unprivileged context. | RW | 0x0 |
| 1 | NSP: If 1, PLL_SYS can be accessed from a Non-secure, Privileged context. | RW | 0x0 |

| Bits | Description | Type | Reset |
|------|--|------|-------|
| 0 | <p>NSU: If 1, and NSP is also set, PLL_SYS can be accessed from a Non-secure, Unprivileged context.</p> <p>This bit is writable from a Non-secure, Privileged context, if and only if the NSP bit is set.</p> | RW | 0x0 |

ACCESSCTRL: PLL_USB Register

Offset: 0xd0

Description

Control whether debugger, DMA, core 0 and core 1 can access PLL_USB, and at what security/privilege levels they can do so.

Defaults to Secure, Privileged processor or debug access only.

This register is writable only from a Secure, Privileged processor or debugger, with the exception of the NSU bit, which becomes Non-secure-Privileged-writable when the NSP bit is set.

Table 964. PLL_USB Register

| Bits | Description | Type | Reset |
|------|--|------|-------|
| 31:8 | Reserved. | - | - |
| 7 | DBG: If 1, PLL_USB can be accessed by the debugger, at security/privilege levels permitted by SP/NSP/SU/NSU in this register. | RW | 0x1 |
| 6 | DMA: If 1, PLL_USB can be accessed by the DMA, at security/privilege levels permitted by SP/NSP/SU/NSU in this register. | RW | 0x0 |
| 5 | CORE1: If 1, PLL_USB can be accessed by core 1, at security/privilege levels permitted by SP/NSP/SU/NSU in this register. | RW | 0x1 |
| 4 | CORE0: If 1, PLL_USB can be accessed by core 0, at security/privilege levels permitted by SP/NSP/SU/NSU in this register. | RW | 0x1 |
| 3 | SP: If 1, PLL_USB can be accessed from a Secure, Privileged context. | RW | 0x1 |
| 2 | SU: If 1, and SP is also set, PLL_USB can be accessed from a Secure, Unprivileged context. | RW | 0x0 |
| 1 | NSP: If 1, PLL_USB can be accessed from a Non-secure, Privileged context. | RW | 0x0 |
| 0 | <p>NSU: If 1, and NSP is also set, PLL_USB can be accessed from a Non-secure, Unprivileged context.</p> <p>This bit is writable from a Non-secure, Privileged context, if and only if the NSP bit is set.</p> | RW | 0x0 |

ACCESSCTRL: TICKS Register

Offset: 0xd4

Description

Control whether debugger, DMA, core 0 and core 1 can access TICKS, and at what security/privilege levels they can do so.

Defaults to Secure, Privileged processor or debug access only.

This register is writable only from a Secure, Privileged processor or debugger, with the exception of the NSU bit, which becomes Non-secure-Privileged-writable when the NSP bit is set.

Table 965. TICKS Register

| Bits | Description | Type | Reset |
|------|--|------|-------|
| 31:8 | Reserved. | - | - |
| 7 | DBG : If 1, TICKS can be accessed by the debugger, at security/privilege levels permitted by SP/NSP/SU/NSU in this register. | RW | 0x1 |
| 6 | DMA : If 1, TICKS can be accessed by the DMA, at security/privilege levels permitted by SP/NSP/SU/NSU in this register. | RW | 0x0 |
| 5 | CORE1 : If 1, TICKS can be accessed by core 1, at security/privilege levels permitted by SP/NSP/SU/NSU in this register. | RW | 0x1 |
| 4 | CORE0 : If 1, TICKS can be accessed by core 0, at security/privilege levels permitted by SP/NSP/SU/NSU in this register. | RW | 0x1 |
| 3 | SP : If 1, TICKS can be accessed from a Secure, Privileged context. | RW | 0x1 |
| 2 | SU : If 1, and SP is also set, TICKS can be accessed from a Secure, Unprivileged context. | RW | 0x0 |
| 1 | NSP : If 1, TICKS can be accessed from a Non-secure, Privileged context. | RW | 0x0 |
| 0 | NSU : If 1, and NSP is also set, TICKS can be accessed from a Non-secure, Unprivileged context. This bit is writable from a Non-secure, Privileged context, if and only if the NSP bit is set. | RW | 0x0 |

ACCESSCTRL: WATCHDOG Register

Offset: 0xd8

Description

Control whether debugger, DMA, core 0 and core 1 can access WATCHDOG, and at what security/privilege levels they can do so.

Defaults to Secure, Privileged processor or debug access only.

This register is writable only from a Secure, Privileged processor or debugger, with the exception of the NSU bit, which becomes Non-secure-Privileged-writable when the NSP bit is set.

Table 966. WATCHDOG Register

| Bits | Description | Type | Reset |
|------|--|------|-------|
| 31:8 | Reserved. | - | - |
| 7 | DBG : If 1, WATCHDOG can be accessed by the debugger, at security/privilege levels permitted by SP/NSP/SU/NSU in this register. | RW | 0x1 |
| 6 | DMA : If 1, WATCHDOG can be accessed by the DMA, at security/privilege levels permitted by SP/NSP/SU/NSU in this register. | RW | 0x0 |
| 5 | CORE1 : If 1, WATCHDOG can be accessed by core 1, at security/privilege levels permitted by SP/NSP/SU/NSU in this register. | RW | 0x1 |
| 4 | CORE0 : If 1, WATCHDOG can be accessed by core 0, at security/privilege levels permitted by SP/NSP/SU/NSU in this register. | RW | 0x1 |
| 3 | SP : If 1, WATCHDOG can be accessed from a Secure, Privileged context. | RW | 0x1 |
| 2 | SU : If 1, and SP is also set, WATCHDOG can be accessed from a Secure, Unprivileged context. | RW | 0x0 |
| 1 | NSP : If 1, WATCHDOG can be accessed from a Non-secure, Privileged context. | RW | 0x0 |

| Bits | Description | Type | Reset |
|------|---|------|-------|
| 0 | <p>NSU: If 1, and NSP is also set, WATCHDOG can be accessed from a Non-secure, Unprivileged context.</p> <p>This bit is writable from a Non-secure, Privileged context, if and only if the NSP bit is set.</p> | RW | 0x0 |

ACCESSCTRL: PSM Register

Offset: 0xdc

Description

Control whether debugger, DMA, core 0 and core 1 can access PSM, and at what security/privilege levels they can do so.

Defaults to Secure, Privileged processor or debug access only.

This register is writable only from a Secure, Privileged processor or debugger, with the exception of the NSU bit, which becomes Non-secure-Privileged-writable when the NSP bit is set.

Table 967. PSM Register

| Bits | Description | Type | Reset |
|------|--|------|-------|
| 31:8 | Reserved. | - | - |
| 7 | DBG: If 1, PSM can be accessed by the debugger, at security/privilege levels permitted by SP/NSP/SU/NSU in this register. | RW | 0x1 |
| 6 | DMA: If 1, PSM can be accessed by the DMA, at security/privilege levels permitted by SP/NSP/SU/NSU in this register. | RW | 0x0 |
| 5 | CORE1: If 1, PSM can be accessed by core 1, at security/privilege levels permitted by SP/NSP/SU/NSU in this register. | RW | 0x1 |
| 4 | CORE0: If 1, PSM can be accessed by core 0, at security/privilege levels permitted by SP/NSP/SU/NSU in this register. | RW | 0x1 |
| 3 | SP: If 1, PSM can be accessed from a Secure, Privileged context. | RW | 0x1 |
| 2 | SU: If 1, and SP is also set, PSM can be accessed from a Secure, Unprivileged context. | RW | 0x0 |
| 1 | NSP: If 1, PSM can be accessed from a Non-secure, Privileged context. | RW | 0x0 |
| 0 | <p>NSU: If 1, and NSP is also set, PSM can be accessed from a Non-secure, Unprivileged context.</p> <p>This bit is writable from a Non-secure, Privileged context, if and only if the NSP bit is set.</p> | RW | 0x0 |

ACCESSCTRL: XIP_CTRL Register

Offset: 0xe0

Description

Control whether debugger, DMA, core 0 and core 1 can access XIP_CTRL, and at what security/privilege levels they can do so.

Defaults to Secure, Privileged processor or debug access only.

This register is writable only from a Secure, Privileged processor or debugger, with the exception of the NSU bit, which becomes Non-secure-Privileged-writable when the NSP bit is set.

Table 968. XIP_CTRL Register

| Bits | Description | Type | Reset |
|------|--|------|-------|
| 31:8 | Reserved. | - | - |
| 7 | DBG: If 1, XIP_CTRL can be accessed by the debugger, at security/privilege levels permitted by SP/NSP/SU/NSU in this register. | RW | 0x1 |
| 6 | DMA: If 1, XIP_CTRL can be accessed by the DMA, at security/privilege levels permitted by SP/NSP/SU/NSU in this register. | RW | 0x0 |
| 5 | CORE1: If 1, XIP_CTRL can be accessed by core 1, at security/privilege levels permitted by SP/NSP/SU/NSU in this register. | RW | 0x1 |
| 4 | CORE0: If 1, XIP_CTRL can be accessed by core 0, at security/privilege levels permitted by SP/NSP/SU/NSU in this register. | RW | 0x1 |
| 3 | SP: If 1, XIP_CTRL can be accessed from a Secure, Privileged context. | RW | 0x1 |
| 2 | SU: If 1, and SP is also set, XIP_CTRL can be accessed from a Secure, Unprivileged context. | RW | 0x0 |
| 1 | NSP: If 1, XIP_CTRL can be accessed from a Non-secure, Privileged context. | RW | 0x0 |
| 0 | NSU: If 1, and NSP is also set, XIP_CTRL can be accessed from a Non-secure, Unprivileged context. This bit is writable from a Non-secure, Privileged context, if and only if the NSP bit is set. | RW | 0x0 |

ACCESSCTRL: XIP_QMI Register

Offset: 0xe4

Description

Control whether debugger, DMA, core 0 and core 1 can access XIP_QMI, and at what security/privilege levels they can do so.

Defaults to Secure, Privileged processor or debug access only.

This register is writable only from a Secure, Privileged processor or debugger, with the exception of the NSU bit, which becomes Non-secure-Privileged-writable when the NSP bit is set.

Table 969. XIP_QMI Register

| Bits | Description | Type | Reset |
|------|--|------|-------|
| 31:8 | Reserved. | - | - |
| 7 | DBG: If 1, XIP_QMI can be accessed by the debugger, at security/privilege levels permitted by SP/NSP/SU/NSU in this register. | RW | 0x1 |
| 6 | DMA: If 1, XIP_QMI can be accessed by the DMA, at security/privilege levels permitted by SP/NSP/SU/NSU in this register. | RW | 0x0 |
| 5 | CORE1: If 1, XIP_QMI can be accessed by core 1, at security/privilege levels permitted by SP/NSP/SU/NSU in this register. | RW | 0x1 |
| 4 | CORE0: If 1, XIP_QMI can be accessed by core 0, at security/privilege levels permitted by SP/NSP/SU/NSU in this register. | RW | 0x1 |
| 3 | SP: If 1, XIP_QMI can be accessed from a Secure, Privileged context. | RW | 0x1 |
| 2 | SU: If 1, and SP is also set, XIP_QMI can be accessed from a Secure, Unprivileged context. | RW | 0x0 |
| 1 | NSP: If 1, XIP_QMI can be accessed from a Non-secure, Privileged context. | RW | 0x0 |

| Bits | Description | Type | Reset |
|------|--|------|-------|
| 0 | <p>NSU: If 1, and NSP is also set, XIP_QMI can be accessed from a Non-secure, Unprivileged context.</p> <p>This bit is writable from a Non-secure, Privileged context, if and only if the NSP bit is set.</p> | RW | 0x0 |

ACCESSCTRL: XIP_AUX Register

Offset: 0xe8

Description

Control whether debugger, DMA, core 0 and core 1 can access XIP_AUX, and at what security/privilege levels they can do so.

Defaults to Secure, Privileged access only.

This register is writable only from a Secure, Privileged processor or debugger, with the exception of the NSU bit, which becomes Non-secure-Privileged-writable when the NSP bit is set.

Table 970. XIP_AUX Register

| Bits | Description | Type | Reset |
|------|--|------|-------|
| 31:8 | Reserved. | - | - |
| 7 | DBG: If 1, XIP_AUX can be accessed by the debugger, at security/privilege levels permitted by SP/NSP/SU/NSU in this register. | RW | 0x1 |
| 6 | DMA: If 1, XIP_AUX can be accessed by the DMA, at security/privilege levels permitted by SP/NSP/SU/NSU in this register. | RW | 0x1 |
| 5 | CORE1: If 1, XIP_AUX can be accessed by core 1, at security/privilege levels permitted by SP/NSP/SU/NSU in this register. | RW | 0x1 |
| 4 | CORE0: If 1, XIP_AUX can be accessed by core 0, at security/privilege levels permitted by SP/NSP/SU/NSU in this register. | RW | 0x1 |
| 3 | SP: If 1, XIP_AUX can be accessed from a Secure, Privileged context. | RW | 0x1 |
| 2 | SU: If 1, and SP is also set, XIP_AUX can be accessed from a Secure, Unprivileged context. | RW | 0x0 |
| 1 | NSP: If 1, XIP_AUX can be accessed from a Non-secure, Privileged context. | RW | 0x0 |
| 0 | <p>NSU: If 1, and NSP is also set, XIP_AUX can be accessed from a Non-secure, Unprivileged context.</p> <p>This bit is writable from a Non-secure, Privileged context, if and only if the NSP bit is set.</p> | RW | 0x0 |

10.7. DMA

The RP2350 system DMA is a peripheral which performs arbitrary reads and writes on memory. This means that, as with a processor, care is necessary to maintain isolation between memory or peripherals owned by different security domains. Any given processor context must not access memory or peripherals belonging to a more secure context. The DMA helps maintain this invariant by ensuring software can not use the DMA to access a more secure context on its behalf, including such cases as a processor programming the DMA to program the DMA.

RP2350 extends the processor security/privilege states to individual DMA channels, and the DMA filters its own memory accesses with a built-in memory protection unit (MPU) similarly capable to the Armv8-M SAU or the RISC-V PMP. When correctly configured, this allows multiple security domains to transparently and safely share DMA

resources. It is also possible to assign the entire DMA block wholesale to a single security domain using the ACCESSCTRL registers (Section 10.6) if this fine-grained configuration is not desired.

This section gives an overview of the DMA's security features. The specific hardware details are documented in Section 12.6.6.

10.7.1. Channel security attributes

Each channel is assigned a security level using the per-channel registers starting at SECCFG_CH0. This defines:

- The minimum privilege required to configure and control the channel, or observe its status
- The bus privilege at which the channel performs its memory accesses

For the sake of comparing security levels, the DMA assigns the following total order to AHB5 security/privilege attributes: Secure + Privileged > Secure + Unprivileged > Non-secure + Privileged > Non-secure + Unprivileged.

A channel's security level can be changed freely up until any of the channel's control registers is written. After this point, its security level is locked, and cannot be changed until the DMA block resets. At reset, all channels become Secure + Privileged (security level = 3, the maximum).

The effects of the channel SECCFG registers are listed exhaustively in the relevant DMA documentation, Section 12.6.6.1.

10.7.2. Memory protection unit

The RP2350 DMA features a memory protection unit that you can configure to set the security/privilege level required to access up to eight different address ranges, plus a default level for addresses not matched by any of those eight ranges. The addresses of all DMA reads and writes are checked against the MPU address map. If the originating channel's security level is lower than that defined in the address map, the access is filtered. A filtered access has no effect on the downstream bus, and returns a bus error to the offending channel.

The DMA memory protection unit is configured by DMA control registers starting from MPU_CTRL. See Section 12.6.6.3 for more details.

10.7.3. DREQ attributes

Channels are not permitted to interface with the DREQs of peripherals above their security level, as determined by the peripheral access controls in ACCESSCTRL. This is done to avoid any information being inferred from the timing of secure peripheral transfers, and because the clear handshake on the RP2040 DREQ can be used maliciously to cause a Secure DMA channel to overflow its destination FIFO and corrupt/lose data (for details about the DREQ handshake, see Section 12.6.4.2).

The DREQ security levels are driven by the ACCESSCTRL block access registers. ACCESSCTRL takes the index of the least-significant set bit in the 4-bit permission mask, having first ANDed the SP into SU, and NSP into SU. This creates a 2-bit integer which is compared with the DMA channel's security level to determine whether it can interface with this DREQ.

10.7.4. IRQ attributes

Each of the four shared DMA interrupt lines (IRQs) has a configurable security level. The IRQ's security level is compared with channel security levels, and with the bus privilege of accesses to the DMA's interrupt control registers, to determine:

- Whether a bus access is permitted to read/write the INTE/INTF/INTS registers for this IRQ
- Whether a given channel will be visible in this IRQ's INTS register (and therefore whether that channel will cause

assertion of this IRQ)

- Whether a given channel can have its interrupt pending flag set/cleared via this IRQ's INTF/INTS registers

For a bus access to view/configure an IRQ, it must have a security level greater than or equal to the IRQ's security level. For an IRQ to observe a channel's interrupt pending flag, the IRQ must have a security level greater than or equal to the channel's security level. Consequently, for a bus to observe a channel's interrupt status, the bus access security level must be greater than or equal to the channel's security level.

For an IRQ to observe a channel's interrupt pending flag, it must have a security level greater than or equal to the channel's security level.

There is only one INTR register. Which channels' interrupts can be observed and cleared through INTR is determined by comparing channel security levels to the security level of the INTR bus access.

10.8. OTP

RP2350 contains 8 kB of OTP storage, organised as 4096×24 -bit rows with hardware ECC protection. This is the only mutable, on-die, non-volatile storage. Boot signing keys and decryption keys are stored in OTP, and as such it is a vital part of the security architecture. This section gives a brief summary of OTP hardware protection features; [Chapter 13](#) documents the hardware in full.

The RP2350 OTP subsystem adds a hardware layer on top of the OTP storage array, to protect sensitive contents:

- OTP is protected at a 128-byte page granularity (see [Section 13.5](#))
 - Each page can be fully accessible, read-only, or fully inaccessible
 - Locks are defined separately for Secure, Non-secure and bootloader access
 - Programming OTP lock locations starting at `PAGE0_LOCK0` applies locks permanently
 - Writing to registers starting at `SW_LOCK0` advances locks to a less-permissive state until the next OTP reset
- OTP control registers used to access the SBPI interface are hardwired for Secure access only
 - The SBPI interface is used to program the OTP and configure power supply and analogue hardware
- The guarded read aliases provide higher assurance against deliberate OTP power supply manipulation during reads ([Section 13.1.1](#))
- Hardware reads the OTP array at startup for security hardware configuration ([Section 13.3.4](#))
 - The critical flags ([Section 13.4](#)) enable secure boot, enable the glitch detectors, and disable debug
 - The OTP hardware access keys ([Section 13.5.2](#)) provide further protection for OTP pages
 - The debug keys ([Section 3.5.9.2](#)) are an additional mechanism to conditionally lock down debug access

OTP also contains configuration for the RP2350 bootrom, particularly its secure boot implementation. [Section 13.10](#) lists all predefined OTP data locations. Boot configuration is stored in page 1, starting from `BOOT_FLAGS0`.

The bootrom can load and run code stored in OTP; see the bootrom documentation in [Section 5.10.7](#), and the OTP data listings starting from `OTPBOOT_SRC`. When secure boot is enabled, code loaded from OTP is subject to all of the usual requirements for image signing and versioning, so this code can form part of your secure boot chain. The `chain_image()` ROM API allows your OTP-resident bootloader to call back into the ROM to verify the next boot stage that it has loaded.

10.9. Glitch detector

The glitch detector detects loss of setup and hold margin in the system clock domain, which may be caused by deliberate external manipulation of the system clock or core supply voltage. When it detects loss, the glitch detector triggers a system reset rather than allowing software to continue to execute in a possibly undefined state. It responds

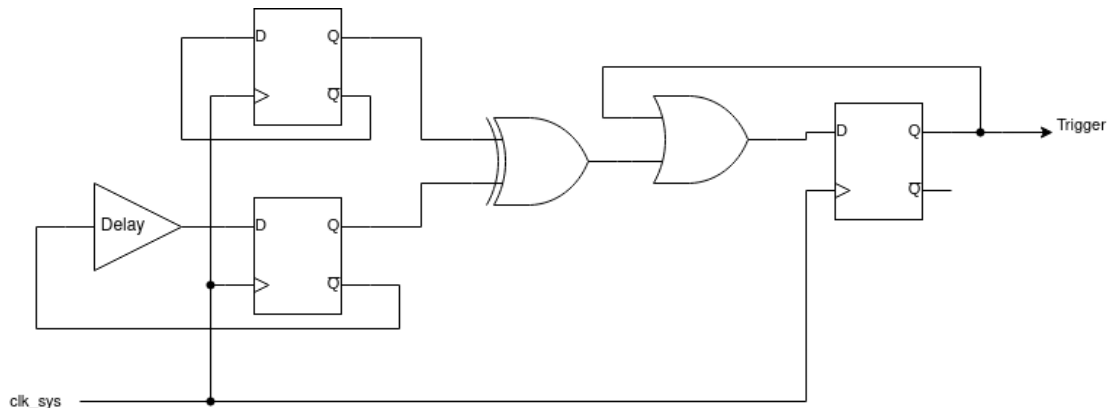
within one system clock cycle, unlike the brownout detector, which has much more limited analog bandwidth.

The glitch detector is disabled by default, and can be armed by setting the `GLITCH_DETECTOR_ENABLE` flag in OTP. For debugging purposes, you can also enable the glitch detector via the `ARM` register. This is not recommended in security-sensitive applications, as the system is vulnerable until the point that software can enable the detectors.

10.9.1. Theory of operation

The glitch detector is comprised of four identical detector circuits, based on a pair of D flip-flops. These detector circuits are each placed in different, physically distant locations within the core voltage domain.

Figure 43. Glitch detector trigger circuit. Two flops each toggle on every system clock cycle. One has a programmable delay line in its feedback path, the other does not. Loss of setup or hold margin causes one of the flops to fail to toggle, so the flops values differ, setting the trigger output.



The detector triggers when the two D-flops take on different values, which is impossible under normal circumstances. The delay line is programmable from 75% to 120% of the minimum system clock period in increments of 15%. Higher delays make the circuit more sensitive to loss of setup margin. To configure initial sensitivity, use the `GLITCH_DETECTOR_SENS` OTP flags. You can fine-tune sensitivity for each detector using the `SENSITIVITY` register.

Because the circuit is constructed from digital standard cells, it closely tracks the changes in propagation delay to nearby cells caused by voltage and temperature fluctuations. Therefore the delay line's propagation delay is specified as a fraction of the maximum system clock data path delay, rather than a fixed time in nanoseconds.

10.9.2. Trigger response

When any of the detectors fires, the corresponding bit in the `TRIG_STATUS` is set. If the glitch detector block is armed, this detector event also resets almost all logic in the switched core domain. The glitch detector is armed if:

- The `DISARM` register is not set to the disarming bit pattern, and at least one of the following is true:
 - The `GLITCH_DETECTOR_EN` OTP flag was programmed some time before the most recent reset of the OTP block
 - The `ARM` register is set to an arming bit pattern

This holds the majority of the switched core domain in reset for approximately 120 microseconds before releasing the reset. Specifically, this resets the PSM (Section 7.3), which resets all PSM-controlled resets starting with the processor cold reset domain, in addition to all blocks reset by the `RESETS` block, which is itself reset by the PSM. The detector circuits are also reset, as is the system watchdog including the watchdog scratch registers.

After a glitch detector-initiated reset, the `CHIP_RESET.HAD_GLITCH_DETECT` flag is set so that software can diagnose that the last reset was caused by a glitch detector trigger. Check the `TRIG_STATUS` register to see which detector fired. This can be useful for tuning the thresholds of individual detectors.

The only way to clear the detector circuits is to reset them, either via a full switched core domain reset (such as the `RUN` pin, the SW-DP reset request, a PoR/BoR reset, or a reset of the switched core domain configured by POWMAN controls), or by arming the glitch detector block so that the detectors reset along with the PSM.

Recovering from the glitch detector firing requires the low-power oscillator to be running (Section 8.4). Allowing the

glitch detectors to fire when the LPOSC is disabled results in the chip holding itself in reset indefinitely until an external reset such as the **RUN** pin resets the detectors.

10.9.3. List of registers

The glitch detector control registers start at an address of **0x40158000**.

Table 971. List of GLITCH_DETECTOR registers

| Offset | Name | Info |
|--------|--------------------|--|
| 0x00 | ARM | <p>Forcibly arm the glitch detectors, if they are not already armed by OTP. When armed, any individual detector trigger will cause a restart of the switched core power domain's power-on reset state machine.</p> <p>Glitch detector triggers are recorded accumulatively in TRIG_STATUS. If the system is reset by a glitch detector trigger, this is recorded in POWMAN_CHIP_RESET.</p> <p>This register is Secure read/write only.</p> |
| 0x04 | DISARM | |
| 0x08 | SENSITIVITY | <p>Adjust the sensitivity of glitch detectors to values other than their OTP-provided defaults.</p> <p>This register is Secure read/write only.</p> |
| 0x0c | LOCK | |
| 0x10 | TRIG_STATUS | <p>Set when a detector output triggers. Write-1-clear.</p> <p>(May immediately return high if the detector remains in a failed state. Detectors can only be cleared by a full reset of the switched core power domain.)</p> <p>This register is Secure read/write only.</p> |
| 0x14 | TRIG_FORCE | <p>Simulate the firing of one or more detectors. Writing ones to this register will set the matching bits in STATUS_TRIG.</p> <p>If the glitch detectors are currently armed, writing ones will also immediately reset the switched core power domain, and set the reset reason latches in POWMAN_CHIP_RESET to indicate a glitch detector resets.</p> <p>This register is Secure read/write only.</p> |

GLITCH_DETECTOR: ARM Register

Offset: 0x00

Table 972. ARM Register

| Bits | Description | Type | Reset |
|-------|-------------|------|-------|
| 31:16 | Reserved. | - | - |

| Bits | Description | Type | Reset |
|------|--|------|--------|
| 15:0 | <p>Forcibly arm the glitch detectors, if they are not already armed by OTP. When armed, any individual detector trigger will cause a restart of the switched core power domain's power-on reset state machine.</p> <p>Glitch detector triggers are recorded accumulatively in TRIG_STATUS. If the system is reset by a glitch detector trigger, this is recorded in POWMAN_CHIP_RESET.</p> <p>This register is Secure read/write only.</p> | RW | 0x5bad |
| | Enumerated values: | | |
| | 0x5bad → NO: Do not force the glitch detectors to be armed | | |
| | 0x0000 → YES: Force the glitch detectors to be armed. (Any value other than ARM_NO counts as YES) | | |

GLITCH_DETECTOR: DISARM Register

Offset: 0x04

Table 973. DISARM Register

| Bits | Description | Type | Reset |
|-------|---|------|--------|
| 31:16 | Reserved. | - | - |
| 15:0 | <p>Forcibly disarm the glitch detectors, if they are armed by OTP. Ignored if ARM is YES.</p> <p>This register is Secure read/write only.</p> | RW | 0x0000 |
| | Enumerated values: | | |
| | 0x0000 → NO: Do not disarm the glitch detectors. (Any value other than DISARM_YES counts as NO) | | |
| | 0xdcaf → YES: Disarm the glitch detectors | | |

GLITCH_DETECTOR: SENSITIVITY Register

Offset: 0x08

Description

Adjust the sensitivity of glitch detectors to values other than their OTP-provided defaults.

This register is Secure read/write only.

Table 974. SENSITIVITY Register

| Bits | Description | Type | Reset |
|-------|--|------|-------|
| 31:24 | DEFAULT | RW | 0x00 |
| | Enumerated values: | | |
| | 0x00 → YES: Use the default sensitivity configured in OTP for all detectors. (Any value other than DEFAULT_NO counts as YES) | | |
| | 0xde → NO: Do not use the default sensitivity configured in OTP. Instead use the value from this register. | | |
| 23:16 | Reserved. | - | - |
| 15:14 | DET3_INV : Must be the inverse of DET3, else the default value is used. | RW | 0x0 |
| 13:12 | DET2_INV : Must be the inverse of DET2, else the default value is used. | RW | 0x0 |

| Bits | Description | Type | Reset |
|-------|---|------|-------|
| 11:10 | DET1_INV : Must be the inverse of DET1, else the default value is used. | RW | 0x0 |
| 9:8 | DET0_INV : Must be the inverse of DET0, else the default value is used. | RW | 0x0 |
| 7:6 | DET3 : Set sensitivity for detector 3. Higher values are more sensitive. | RW | 0x0 |
| 5:4 | DET2 : Set sensitivity for detector 2. Higher values are more sensitive. | RW | 0x0 |
| 3:2 | DET1 : Set sensitivity for detector 1. Higher values are more sensitive. | RW | 0x0 |
| 1:0 | DET0 : Set sensitivity for detector 0. Higher values are more sensitive. | RW | 0x0 |

GLITCH_DETECTOR: LOCK Register

Offset: 0x0c

Table 975. LOCK Register

| Bits | Description | Type | Reset |
|------|--|------|-------|
| 31:8 | Reserved. | - | - |
| 7:0 | Write any nonzero value to disable writes to ARM, DISARM, SENSITIVITY and LOCK. This register is Secure read/write only. | RW | 0x00 |

GLITCH_DETECTOR: TRIG_STATUS Register

Offset: 0x10

Description

Set when a detector output triggers. Write-1-clear.

(May immediately return high if the detector remains in a failed state. Detectors can only be cleared by a full reset of the switched core power domain.)

This register is Secure read/write only.

Table 976. TRIG_STATUS Register

| Bits | Description | Type | Reset |
|------|-------------|------|-------|
| 31:4 | Reserved. | - | - |
| 3 | DET3 | WC | 0x0 |
| 2 | DET2 | WC | 0x0 |
| 1 | DET1 | WC | 0x0 |
| 0 | DET0 | WC | 0x0 |

GLITCH_DETECTOR: TRIG_FORCE Register

Offset: 0x14

Table 977.
TRIG_FORCE Register

| Bits | Description | Type | Reset |
|------|--|------|-------|
| 31:4 | Reserved. | - | - |
| 3:0 | <p>Simulate the firing of one or more detectors. Writing ones to this register will set the matching bits in STATUS_TRIG.</p> <p>If the glitch detectors are currently armed, writing ones will also immediately reset the switched core power domain, and set the reset reason latches in POWMAN_CHIP_RESET to indicate a glitch detector resets.</p> <p>This register is Secure read/write only.</p> | SC | 0x0 |

10.10. Factory test JTAG

RP2350 contains JTAG hardware that is used to test devices after manufacturing. It is not a public interface, but its capabilities are documented here for user risk assessment.

Much like the user-facing SWD debug, the JTAG interface is disabled at power-on, and enabled only once the OTP power-on state machine has completed. If the [CRIT1.SECURE_BOOT_ENABLE](#), [CRIT1.SECURE_DEBUG_DISABLE](#) or [CRIT1.DEBUG_DISABLE](#) flag is set, then the JTAG interface remains held in reset indefinitely, so it cannot be communicated with and cannot control internal hardware. The only way to re-enable the JTAG interface after setting one of these critical flags is to set the RMA OTP flag ([Section 10.11](#)), which also permanently disables read and write access to user OTP pages. The RMA flag itself is write-protected using the page 63 protection flags, so you can prevent untrusted software from programming the RMA flag.

To take the JTAG interface out of reset, write to bit 0 of the RP-AP control register, accessed via SWD. To connect the JTAG interface to GPIOs ([TCK](#), [TMS](#), [TDI](#), [TDO](#) on GPIO0 → 3), set bit 1 of the RP-AP control register. The RP-AP is always accessible, even when external debug is disabled, because it is also used to enter the debug keys ([Section 3.5.9.2](#)). However, attempts to remove the JTAG reset are ignored when any of the aforementioned critical OTP flags are set.

The JTAG interface provides:

- Standard test capabilities such as IDCODE and EXTEST (boundary scan); these are not guaranteed to be IEEE-compliant, as this is an internal factory test interface, not a user-facing debug port
- Full AHB bus access, with Secure and Privileged attributes and an HMASTER of 3 (debugger)
- Asynchronous access to a small subset of register controls, generally limited to clocks, oscillators and reset controls

The JTAG interface's AHB bus access is muxed in place of the DMA read port, when the JTAG interface is enabled.

Any and all details of the factory test JTAG interface, with the exception of which OTP flags disable and re-enable it, are subject to change with revisions of the RP2350 silicon.

10.11. Decommissioning

Devices returned to Raspberry Pi Ltd for fault analysis must be **decommissioned** before return, to restore factory test functionality. A device is decommissioned by programming the OTP [PAGE63_LOCK0.RMA](#) flag to 1. Return may be requested by Raspberry Pi Ltd when diagnosing systematic issues across a population of devices.

Setting the RMA flag has two effects:

- The factory test JTAG interface is re-enabled, irrespective of the values of any [CRIT1](#) flags.
- Pages 3 through 61 become permanently inaccessible: this is all pages that do not have predefined contents listed in [Section 13.10](#).

The effect on OTP contents is as though all had been promoted to the inaccessible lock level:

- write attempts will fail
- read attempts will return all-ones, when read via an unguarded read alias, or bus faults, when read via a guarded read alias

The logic that disables OTP access and the logic that re-enables the test interface are driven from the same signal internally, so this bit does not provide external access to user OTP contents, provided no sensitive material is stored in pages 0, 1, 2, 62 or 63. Setting the RMA flag is irreversible, and may render the device permanently unusable, if it is configured to boot from OTP contents stored in pages 3 through 61.

After setting the RMA flag, test the OTP access (e.g. via the SWD interface) and verify for yourself that any sensitive data stored in OTP has been made inaccessible.

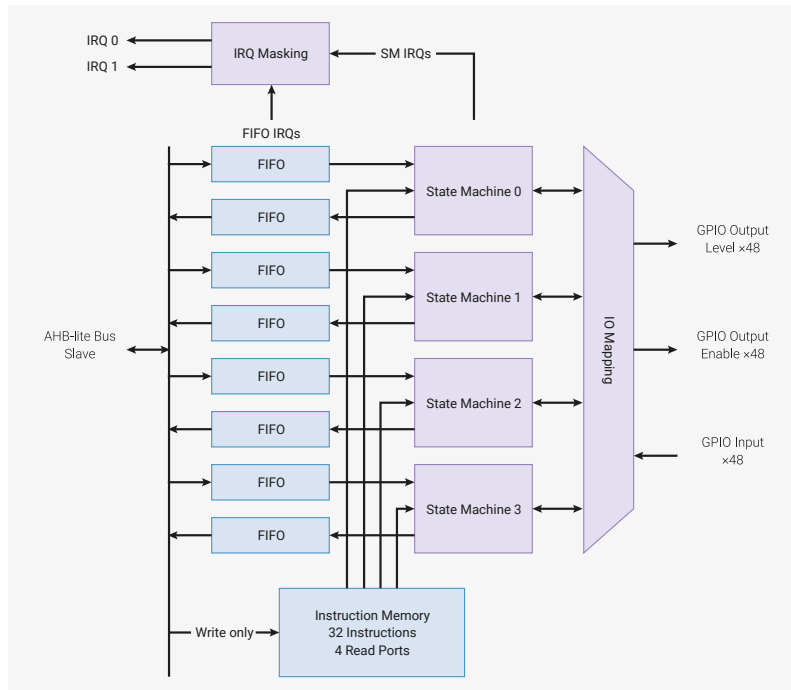
The page 63 lock word has no other function besides RMA because pages 62/63 contain the lock words themselves, each of which is protected by its own permissions. This means the RMA flag can be write-protected by setting either a hard or soft lock on page 63.

Chapter 11. PIO

11.1. Overview

RP2350 contains 3 identical PIO blocks. Each PIO block has dedicated connections to the bus fabric, GPIO and interrupt controller. The diagram for a single PIO block is shown below in [Figure 44](#).

Figure 44. PIO block-level diagram. There are three PIO blocks, each containing four state machines. The four state machines simultaneously execute programs from shared instruction memory. FIFO data queues buffer data transferred between PIO and the system. GPIO mapping logic allows each state machine to observe and manipulate up to 32 GPIOs.



The **programmable input/output block (PIO)** is a versatile hardware interface. It can support a variety of IO standards, including:

- 8080 and 6800 parallel bus
- I2C
- 3-pin I2S
- SDIO
- SPI, DSPI, QSPI
- UART
- DPI or VGA (via resistor DAC)

PIO is programmable in the same sense as a processor. There are three PIO blocks with four state machines. Each can independently execute sequential programs to manipulate GPIOs and transfer data. Unlike a general purpose processor, PIO state machines are specialised for IO, with a focus on determinism, precise timing, and close integration with fixed-function hardware. Each state machine is equipped with:

- Two 32-bit shift registers (either direction, any shift count)
- Two 32-bit scratch registers
- 4 × 32-bit bus FIFO in each direction (TX/RX), reconfigurable as 8 × 32 in a single direction
- Fractional clock divider (16 integer, 8 fractional bits)

- Flexible GPIO mapping
- DMA interface (sustained throughput up to 1 word per clock from system DMA)
- IRQ flag set/clear/status

Each state machine, along with its supporting hardware, occupies approximately the same silicon area as a standard serial interface block, such as an SPI or I2C controller. However, PIO state machines can be configured and reconfigured dynamically to implement numerous different interfaces.

Making state machines programmable in a software-like manner, rather than a fully configurable logic fabric like a complex programmable logic device (CPLD), allows more hardware interfaces to be offered in the same cost and power envelope. This also presents a more familiar programming model, and simpler tool flow, to those who wish to exploit PIO's full flexibility by programming it directly, rather than using a pre-made interface from the PIO library.

PIO is performant as well as flexible, thanks to a carefully selected set of fixed-function hardware inside each state machine. When outputting DPI, PIO can sustain 360 Mb/s during the active scanline period when running from a 48 MHz system clock. In this example, one state machine handles frame/scanline timing and generates the pixel clock. Another handles the pixel data and unpacks run-length-encoded scanlines.

State machines' inputs and outputs are mapped to up to 32 GPIOs (limited to 30 GPIOs for RP2350). All state machines have independent, simultaneous access to any GPIO. For example, the standard UART code allows `TX`, `RX`, `CTS` and `RTS` to be any four arbitrary GPIOs, and I2C permits the same for `SDA` and `SCL`. The amount of freedom available depends on how exactly a given PIO program chooses to use PIO's pin mapping resources, but at the minimum, an interface can be freely shifted up or down by some number of GPIOs.

11.1.1. Changes from RP2040

RP2350 adds the following new registers and controls:

- `DBG_CFGINFO.VERSION` indicates the PIO version, to allow PIO feature detection at runtime.
 - This 4-bit field was reserved-0 on RP2040 (indicating version 0), and reads as 1 on RP2350.
- `GPIOBASE` adds support for more than 32 GPIOs per PIO block.
 - Each PIO block is still limited to 32 GPIOs at a time, but `GPIOBASE` selects *which* 32.
- `CTRL.NEXT_PIO_MASK` and `CTRL.PREV_PIO_MASK` apply some `CTRL` register operations to state machines in neighbouring PIO blocks simultaneously.
 - `CTRL.NEXTPREV_SM_DISABLE` stops PIO state machines in multiple PIO blocks simultaneously.
 - `CTRL.NEXTPREV_SM_ENABLE` starts PIO state machines in multiple PIO blocks simultaneously.
 - `CTRL.NEXTPREV_CLKDIV_RESTART` synchronises the clock dividers of PIO state machines in multiple PIO blocks
- `SM0_SHIFTCTRL.IN_COUNT` masks unneeded IN-mapped pins to zero.
 - This is useful for `MOV x, PINS` instructions, which previously always returned a full rotated 32-bit value.
- `IRQ0_INTE` and `IRQ1_INTE` now expose all eight SM IRQ flags to system-level interrupts (not just the lower four).
- Registers starting from `RXF0_PUTGET0` expose each RX FIFO's internal storage registers for random read or write access from the system,
 - The new `FJOIN_RX_PUT` FIFO join mode enables random writes from the state machine, and random reads from the system (for implementing status registers).
 - The new `FJOIN_RX_GET` FIFO join mode enables random reads from the state machine, and random writes from the system (for implementing control registers).
 - Setting both `FJOIN_RX_PUT` and `FJOIN_RX_GET` enables random read *and* write access from the state machine, but disables system access.

RP2350 adds the following new instruction features:

- Adds `PINCTRL_JMP_PIN` as a source for the `WAIT` instruction, plus an offset in the range 0-3.
 - This gives `WAIT` pin arguments a per-SM mapping that is independent of the IN-mapped pins.
- Adds `PINDIRS` as a destination for `MOV`.
 - This allows changing the direction of all OUT-mapped pins with a single instruction: `MOV PINDIRS, NULL` or `MOV PINDIRS, ~NULL`
- Adds SM IRQ flags as a source for `MOV x, STATUS`
 - This allows branching (as well as blocking) on the assertion of SM IRQ flags.
- Extends `IRQ` instruction encoding to allow state machines to set, clear and observe IRQ flags from different PIO blocks.
 - There is no delay penalty for cross-PIO IRQ flags: an `IRQ` on one state machine is observable to all state machines on the next cycle.
- Adds the `FJOIN_RX_GET` FIFO mode.
 - A new `MOV` encoding reads any of the four RX FIFO storage registers into `OSR`.
 - This instruction permits random reads of the four FIFO entries, indexed either by instruction bits or the `Y` scratch register.
- Adds the `FJOIN_RX_PUT` FIFO mode.
 - A new `MOV` encoding writes the `ISR` into any of the four RX FIFO storage registers.
 - The registers are indexed either by instruction bits or the `Y` scratch register.

RP2350 adds the following security features:

- Limits Non-secure PIOs (set to via `ACCESSCTRL`) to observation of only Non-secure GPIOs. Attempting to read a Secure GPIO returns a 0.
- Disables cross-PIO functionality (IRQs, `CTRL_NEXTPREV` operations) between Non-secure PIO blocks (those which permit Non-secure access according to `ACCESSCTRL`) and Secure-only blocks (those which do not).

RP2350 includes the following general improvements:

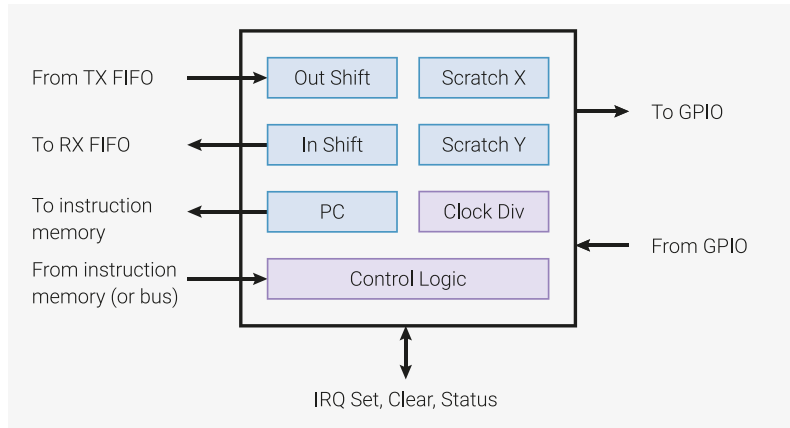
- Increased the number of PIO blocks from two to three (8 → 12 state machines).
- Improved GPIO input/output delay and skew.
- Reduced DMA request (DREQ) latency by one cycle vs RP2040.

11.2. Programmer's model

The four state machines execute from shared instruction memory. System software loads programs into this memory, configures the state machines and IO mapping, and then sets the state machines running. PIO programs come from various sources: assembled directly by the user, drawn from the PIO library, or generated programmatically by user software.

From this point on, state machines are generally autonomous, and system software interacts through DMA, interrupts and control registers, as with other peripherals on RP2350. For more complex interfaces, PIO provides a small but flexible set of primitives which allow system software to be more hands-on with state machine control flow.

Figure 45. State machine overview. Data flows in and out through a pair of FIFOs. The state machine executes a program which transfers data between these FIFOs, a set of internal registers, and the pins. The clock divider can reduce the state machine's execution speed by a constant factor.



11.2.1. PIO programs

PIO state machines execute short binary programs.

Programs for common interfaces, such as UART, SPI, or I2C, are available in the PIO library. In many cases, it is not necessary to write PIO programs. However, the PIO is much more flexible when programmed directly, supporting a wide variety of interfaces which may not have been foreseen by its designers.

The PIO has a total of nine instructions: **JMP**, **WAIT**, **IN**, **OUT**, **PUSH**, **PULL**, **MOV**, **IRQ**, and **SET**. For more information about these instructions, see [Section 11.4](#).

Though the PIO only has a total of nine instructions, it would be difficult to edit PIO program binaries by hand. PIO assembly is a textual format, describing a PIO program, where each command corresponds to one instruction in the output binary. The following code snippet contains an example program written in in PIO assembly:

Pico Examples: <https://github.com/raspberrypi/pico-examples/blob/master/pio/squarewave/squarewave.pio> Lines 8 - 13

```

8 .program squarewave
9   set pindirs, 1   ; Set pin to output
10 again:
11   set pins, 1 [1] ; Drive pin high and then delay for one cycle
12   set pins, 0     ; Drive pin low
13   jmp again      ; Set PC to label `again`

```

The PIO assembler is included with the SDK, and is called `pioasm`. This program processes a PIO assembly input text file, which may contain multiple programs, and writes out the assembled programs ready for use. For the SDK, these assembled programs are emitted as C headers, containing constant arrays.

For more information, see [Section 11.3](#).

11.2.2. Control flow

On every system clock cycle, each state machine fetches, decodes and executes one instruction. Each instruction takes precisely one cycle, unless it explicitly stalls (such as the **WAIT** instruction). Instructions may insert a delay of up to 31 cycles before the next instruction execute, to help write cycle-exact programs.

The program counter, or **PC**, points to the location in the instruction memory being executed on this cycle. Generally, **PC** increments by one each cycle, wrapping at the end of the instruction memory. Jump instructions are an exception and explicitly provide the next value that **PC** will take.

Our example assembly program (listed as `.program squarewave` above) shows both of these concepts in practice. It drives a 50/50 duty cycle square wave with a period of four cycles onto a GPIO. Using some other features (e.g. side-set) this can be made as low as two cycles.

i NOTE

Side-set is where a state machine drives a small number of GPIOs *in addition* to the main side effects of the instruction it executes. It's described fully in [Section 11.5.1](#).

The system has write-only access to the instruction memory, which is used to load programs. The clock divider slows the state machine's execution by a constant factor, represented as a 16.8 fixed-point fractional number. In the following example, if a clock division of 2.5 were programmed, the square wave would have a period of $4 \times 2.5 = 10$ cycles. This is useful for setting a precise baud rate for a serial interface, such as a UART.

Pico Examples: <https://github.com/raspberrypi/pico-examples/blob/master/pio/squarewave/squarewave.c> Lines 34 - 38

```
34 // Load the assembled program directly into the PIO's instruction memory.
35 // Each PIO instance has a 32-slot instruction memory, which all 4 state
36 // machines can see. The system has write-only access.
37 for (uint i = 0; i < count_of(squarewave_program_instructions); ++i)
38     pio->instr_mem[i] = squarewave_program_instructions[i];
```

The following code fragments are part of a complete code example which drives a 12.5 MHz square wave out of GPIO 0 (or any other pins we might choose to map). We can also use pins **WAIT PIN** instruction to stall a state machine's execution for some amount of time, or a **JMP PIN** instruction to branch on the state of a pin, so control flow can vary based on pin state.

Pico Examples: <https://github.com/raspberrypi/pico-examples/blob/master/pio/squarewave/squarewave.c> Lines 42 - 47

```
42 // Configure state machine 0 to run at sysclk/2.5. The state machines can
43 // run as fast as one instruction per clock cycle, but we can scale their
44 // speed down uniformly to meet some precise frequency target, e.g. for a
45 // UART baud rate. This register has 16 integer divisor bits and 8
46 // fractional divisor bits.
47 pio->sm[0].clkdiv = (uint32_t) (2.5f * (1 << 16));
```

Pico Examples: <https://github.com/raspberrypi/pico-examples/blob/master/pio/squarewave/squarewave.c> Lines 51 - 59

```
51 // There are five pin mapping groups (out, in, set, side-set, jmp pin)
52 // which are used by different instructions or in different circumstances.
53 // Here we're just using SET instructions. Configure state machine 0 SETs
54 // to affect GPIO 0 only; then configure GPIO0 to be controlled by PIO0,
55 // as opposed to e.g. the processors.
56 pio->sm[0].pinctrl =
57     (1 << PIO_SM0_PINCTRL_SET_COUNT_LSB) |
58     (0 << PIO_SM0_PINCTRL_SET_BASE_LSB);
59 gpio_set_function(0, pio_get_funcsel(pio));
```

The system can start and stop each state machine at any time, via the CTRL register. Multiple state machines can be started simultaneously, and the deterministic nature of PIO means they can stay perfectly synchronised.

Pico Examples: <https://github.com/raspberrypi/pico-examples/blob/master/pio/squarewave/squarewave.c> Lines 63 - 67

```
63 // Set the state machine running. The PIO CTRL register is global within a
64 // PIO instance, so you can start/stop multiple state machines
65 // simultaneously. We're using the register's hardware atomic set alias to
66 // make one bit high without doing a read-modify-write on the register.
67 hw_set_bits(&pio->ctrl, 1 << (PIO_CTRL_SM_ENABLE_LSB + 0));
```

Most instructions are executed from instruction memory, but there are other sources which can be freely mixed:

- Instructions written to a special configuration register (**SMx INSTR**) are immediately executed, momentarily interrupting other execution. For example, a **JMP** instruction written to **SMx INSTR** causes the state machine to start executing from a different location.
- Instructions can be executed from a register, using the **MOV EXEC** instruction.
- Instructions can be executed from the output shifter, using the **OUT EXEC** instruction

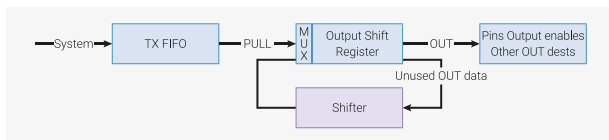
The last of these is particularly versatile: instructions can be embedded in the stream of data passing through the FIFO. The I2C example uses this to embed e.g. **STOP** and **RESTART** line conditions alongside normal data. In the case of **MOV** and **OUT EXEC**, the **MOV/OUT** itself executes in one cycle, and the executee on the next.

11.2.3. Registers

Each state machine possesses a small number of internal registers. These hold input or output data, and temporary values such as loop counter variables.

11.2.3.1. Output Shift Register (OSR)

Figure 46. Output Shift Register (OSR). Data is parcelled out 1...32 bits at a time, and unused data is recycled by a bidirectional shifter. Once empty, the OSR is reloaded from the TX FIFO.



The Output Shift Register (OSR) holds and shifts output data between the TX FIFO and the pins or other destinations, such as the scratch registers.

- **PULL** instructions: remove a 32-bit word from the TX FIFO and place into the OSR.
- **OUT** instructions shift data from the OSR to other destinations, 1...32 bits at a time.
- The OSR fills with zeroes as data is shifted out
- The state machine will automatically refill the OSR from the FIFO on an **OUT** instruction, once some total shift count threshold is reached, if autopull is enabled
- Shift direction can be left/right, configurable by the processor via configuration registers

For example, to stream data through the FIFO and output to the pins at a rate of one byte per two clocks:

```

1 .program pull_example1
2 loop:
3   out pins, 8
4 public entry_point:
5   pull
6   out pins, 8 [1]
7   out pins, 8 [1]
8   out pins, 8
9   jmp loop
    
```

11.2.4. Autopull

Autopull (see Section 11.5.4) allows the hardware to automatically refill the OSR in the majority of cases, with the state machine stalling if it tries to **OUT** from an empty OSR. This has two benefits:

- No instructions spent on explicitly pulling from FIFO at the right time
- Higher throughput: can output up to 32 bits on every single clock cycle, if the FIFO stays topped up

After configuring autopull, the above program can be simplified to the following, which behaves identically:

```
1 .program pull_example2
2
3 loop:
4   out pins, 8
5 public entry_point:
6   jmp loop
```

Program wrapping (Section 11.5.2) allows further simplification and, if desired, an output of 1 byte every system clock cycle.

```
1 .program pull_example3
2
3 public entry_point:
4 .wrap_target
5   out pins, 8 [1]
6 .wrap
```

11.2.4.1. Input Shift Register (ISR)

Figure 47. Input Shift Register (ISR). Data enters 1...32 bits at a time, and current contents is shifted left or right to make room. Once full, contents is written to the RX FIFO.



- **IN** instructions shift 1...32 bits at a time into the register.
- **PUSH** instructions write the ISR contents to the RX FIFO.
- The ISR is cleared to all-zeroes when pushed.
- The state machine will automatically push the ISR on an **IN** instruction, once some shift threshold is reached, if autopush is enabled.
- Shift direction is configurable by the processor via configuration registers

Some peripherals, like UARTs, must shift in from the left to get correct bit order, since the wire order is LSB-first; however, the processor may expect the resulting byte to be right-aligned. This is solved by the special `null` input source, which allows the programmer to shift some number of zeroes into the ISR, following the data.

11.2.4.2. Shift counters

State machines remember how many bits, in total, have been shifted out of the OSR via **OUT** instructions, and into the **ISR** via **IN** instructions. This information is tracked at all times by a pair of hardware counters: the output shift counter and the input shift counter. Each is capable of holding values from 0 to 32 inclusive. With each shift operation, the relevant counter increments by the shift count, up to the maximum value of 32 (equal to the width of the shift register). The state machine can be configured to perform certain actions when a counter reaches a configurable threshold:

- The OSR can be automatically refilled once some number of bits have been shifted out (see Section 11.5.4).
- The ISR can be automatically emptied once some number of bits have been shifted in (see Section 11.5.4).

- **PUSH** or **PULL** instructions can be conditioned on the input or output shift counter, respectively.

On PIO reset, or the assertion of **CTRL_SM_RESTART**, the input shift counter is cleared to 0 (nothing yet shifted in), and the output shift counter is initialised to 32 (nothing remaining to be shifted out; fully exhausted). Some other instructions affect the shift counters:

- A successful **PULL** clears the output shift counter to 0
- A successful **PUSH** clears the input shift counter to 0
- **MOV OSR, ...** (i.e. any **MOV** instruction that writes **OSR**) clears the output shift counter to 0
- **MOV ISR, ...** (i.e. any **MOV** instruction that writes **ISR**) clears the input shift counter to 0
- **OUT ISR, count** sets the input shift counter to **count**

11.2.4.3. Scratch registers

Each state machine has two 32-bit internal scratch registers, called **X** and **Y**.

They are used as:

- Source/destination for **IN/OUT/SET/MOV**
- Source for branch conditions

For example, suppose we wanted to produce a long pulse for "1" data bits, and a short pulse for "0" data bits:

```

1 .program ws2812_led
2
3 public entry_point:
4     pull
5     set x, 23          ; Loop over 24 bits
6 bitloop:
7     set pins, 1       ; Drive pin high
8     out y, 1 [5]     ; Shift 1 bit out, and write it to y
9     jmp !y skip      ; Skip the extra delay if the bit was 0
10    nop [5]
11 skip:
12    set pins, 0 [5]
13    jmp x-- bitloop ; Jump if x nonzero, and decrement x
14    jmp entry_point

```

Here **X** is used as a loop counter, and **Y** is used as a temporary variable for branching on single bits from the OSR. This program can be used to drive a WS2812 LED interface, although more compact implementations are possible (as few as 3 instructions).

MOV allows the use of the scratch registers to save/restore the shift registers if, for example, you would like to repeatedly shift out the same sequence.

i NOTE

A much more compact WS2812 example (4 instructions total) is shown in [Section 11.6.2](#).

11.2.4.4. FIFOs

Each state machine has a pair of 4-word deep FIFOs, one for data transfer from system to state machine (TX), and the other for state machine to system (RX). The TX FIFO is written to by system bus masters, such as a processor or DMA controller, and the RX FIFO is written to by the state machine. FIFOs decouple the timing of the PIO state machines and the system bus, allowing state machines to go for longer periods without processor intervention.

FIFOs also generate data request (DREQ) signals, which allow a system DMA controller to pace its reads/writes based on the presence of data in an RX FIFO, or space for new data in a TX FIFO. This allows a processor to set up a long transaction, potentially involving many kilobytes of data, which will proceed with no further processor intervention.

Often, a state machine only transfers data in one direction. In this case, the `SHIFTCTRL_FJOIN` option can merge the two FIFOs into a single 8-entry FIFO that only goes in one direction. This is useful for high-bandwidth interfaces such as DPI.

11.2.5. Stalling

State machines may momentarily pause execution for a number of reasons:

- A `WAIT` instruction's condition is not yet met
- A blocking `PULL` when the TX FIFO is empty, or a blocking `PUSH` when the RX FIFO is full
- An `IRQ_WAIT` instruction which has set an `IRQ` flag, and is waiting for it to clear
- An `OUT` instruction when autopull is enabled, and OSR has already reached its shift threshold
- An `IN` instruction when autopush is enabled, ISR reaches its shift threshold, and the RX FIFO is full

In this case, the program counter does not advance, and the state machine will continue executing this instruction on the next cycle. If the instruction specifies some number of delay cycles before the next instruction starts, these do not begin until *after* the stall clears.

i NOTE

Side-set ([Section 11.5.1](#)) is not affected by stalls, and always takes place on the first cycle of the attached instruction.

11.2.6. Pin mapping

PIO controls the output level and direction of up to 32 GPIOs, and can observe their input levels. On every system clock cycle, each state machine may do none, one, or both of the following:

- Change the level or direction of some GPIOs via an `OUT` or `SET` instruction, or read some GPIOs via an `IN` instruction
- Change the level or direction of some GPIOs via a side-set operation

Each of these operations uses one of four contiguous ranges of GPIOs, with the base and count of each range configured via each state machine's `PINCTRL` register. There is a range for each of `OUT`, `SET`, `IN` and side-set operations. Each range can cover any of the GPIOs accessible to a given PIO block (on RP2350 this is the 30 user GPIOs), and the ranges can overlap.

For each individual GPIO output (level and direction separately), PIO considers all 8 writes that may have occurred on that cycle, and applies the write from the highest-numbered state machine. If the same state machine performs a `SET`/`OUT` and a side-set on the same GPIO simultaneously, the side-set is used. If no state machine writes to this GPIO output, its value does not change from the previous cycle.

Generally each state machine's outputs are mapped to a distinct group of GPIOs, implementing some peripheral interface.

11.2.7. IRQ flags

IRQ flags are state bits which can be set or cleared by state machines or the system. There are 8 in total: all 8 are visible to all state machines, and the lower 4 can also be masked into one of PIO's interrupt request lines, via the `IRQ0_INTE` and `IRQ1_INTE` control registers.

They have two main uses:

- Asserting system level interrupts from a state machine program, and optionally waiting for the interrupt to be acknowledged
- Synchronising execution between two state machines

State machines interact with the flags via the `IRQ` and `WAIT` instructions.

11.2.8. Interactions between state machines

Instruction memory is implemented as a 1-write, 4-read register file, allowing all four state machines to read an instruction on the same cycle without stalling.

There are three ways to apply the multiple state machines:

- Pointing multiple state machines at the same program
- Pointing multiple state machines at different programs
- Using multiple state machines to run different parts of the same interface, e.g. TX and RX side of a UART, or clock/hsync and pixel data on a DPI display

State machines cannot communicate data, but they can synchronise with one another by using the IRQ flags. There are 8 flags total. Each state machine can set or clear any flag using the `IRQ` instruction, and can wait for a flag to go high or low using the `WAIT IRQ` instruction. This allows cycle-accurate synchronisation between state machines.

11.3. PIO assembler (pioasm)

The PIO Assembler parses a PIO source file and outputs the assembled version ready for inclusion in an RP2350 application. This includes C and C++ applications built against the SDK, and Python programs running on the RP2350 MicroPython port.

This section briefly introduces the directives and instructions that can be used in `pioasm` input. For a deeper discussion of how to use `pioasm`, how it is integrated into the SDK build system, extended features such as code pass through, and the various output formats it can produce, see [Raspberry Pi Pico-series C/C++ SDK](#).

11.3.1. Directives

The following directives control the assembly of PIO programs:

`.define (PUBLIC) <symbol> <value>`

Define an integer symbol named `<symbol>` with the value `<value>` (see [Section 11.3.2](#)). If this `.define` appears before the first program in the input file, then this define is global to all programs, otherwise it is local to the program in which it occurs. If `PUBLIC` is specified, the symbol will be emitted into the assembled output for use by user code. For the SDK this takes the following forms:

- `#define <program_name> <symbol> value:` for program symbols
- `#define <symbol> value:` for global symbols

`.clock_div <divider>`

If this directive is present, `<divider>` is the state machine clock divider for the program. Note, that divider is a floating point value, but *may not* currently use arithmetic expressions or defined values. This directive affects the default state machine configuration for a program. This directive is only valid within a program before the first instruction.

`.fifo <fifo_config>`

If this directive is present, it is used to specify the FIFO configuration for the program. It affects the default state machine configuration for a program, but also restricts what instructions may be used (for example PUSH makes

no sense if there is no IN FIFO configured).

This directive supports the following configuration values:

- `txrx`: 4 FIFO entries for each of TX and RX; this is the default.
- `tx`: All 8 FIFO entries for TX.
- `rx`: All 8 FIFO entries for RX.
- `txput`: 4 FIFO entries for TX, and 4 FIFO entries for `mov rxfifo[index], isr` aka `put`. This value is not supported on PIO version 0.
- `txget`: 4 FIFO entries for TX, and 4 FIFO entries for `mov osr, rxfifo[index]` aka `get`. This value is not supported on PIO version 0.
- `putget`: 4 FIFO entries for `mov rxfifo[index], isr` aka `put`, and 4 FIFO entries for `mov osr, rxfifo[index]` aka `get`. This value is not supported on PIO version 0.

This directive is only valid within a program before the first instruction.

```
.mov_status rxfifo <n>
```

```
.mov_status txfifo <n>
```

```
.mov_status irq <(prev|next)> set <n>
```

This directive configures the source for the `mov`, `STATUS`. One of the three syntaxes can be used to set the status based on the RXFIFO level being below a value N, the TXFIFO level being below a value N, or an IRQ flag N being set on this PIO instance (or the next lower numbered, or higher numbered PIO instance if `prev` or `next` or specified). Note, that the IRQ option requires PIO version 1.

This directive affects the default state machine configuration for a program. This directive is only valid within a program before the first instruction.

```
.in <count> (left|right) (auto) (<threshold>)
```

If this directive is present, `<count>` indicates the number of IN bits to be used. 'left' or 'right' if specified, control the ISR shift direction; 'auto', if present, enables "auto-push"; `<threshold>`, if present, specifies the "auto-push" threshold. This directive affects the default state machine configuration for a program.

This directive is only valid within a program before the first instruction. When assembling for PIO version 0, `<count>` must be 32.

```
.program <name>
```

Start a new program with the name `<name>`. Note that that name is used in code so should be alphanumeric/underscore not starting with a digit. The program lasts until another `.program` directive or the end of the source file. PIO instructions are only allowed within a program.

```
.origin <offset>
```

Optional directive to specify the PIO instruction memory offset at which the program *must* load. Most commonly this is used for programs that must load at offset 0, because they use data based Jumps with the (absolute) `jmp` target being stored in only a few bits. This directive is invalid outside a program.

```
.out <count> (left|right) (auto) (<threshold>)
```

If this directive is present, `<count>` indicates the number of OUT bits to be used. 'left' or 'right' if specified control the OSR shift direction; 'auto', if present, enables "auto-pull"; `<threshold>`, if present, specifies the "auto-pull" threshold. This directive affects the default state machine configuration for a program. This directive is only valid within a program before the first instruction.

```
.pio_version <version>
```

This directive sets the target PIO hardware version. The version for RP2350 is 1 or `RP2350`, and is also the default version number. For backwards compatibility with RP2040, 0 or `RP2040` may be used.

If this directive appears before the first program in the input file, then this define is the default for all programs, otherwise it specifies the version for the program in which it occurs. If specified for a program, it must occur before the first instruction.

.set <count>

If this directive is present, <count> indicates the number of SET bits to be used. This directive affects the default state machine configuration for a program. This directive is only valid within a program before the first instruction.

.side_set <count> (opt) (pindirs)

If this directive is present, <count> indicates the number of side-set bits to be used. Additionally, *opt* may be specified to indicate that a *side <value>* is optional for instructions (note this requires stealing an extra bit – in addition to the <count> bits – from those available for the instruction delay). Finally, *pindirs* may be specified to indicate that the side set values should be applied to the PINDIRs and not the PINs. This directive is only valid within a program before the first instruction.

.wrap_target

Place prior to an instruction, this directive specifies the instruction where execution continues due to program wrapping. This directive is invalid outside of a program, may only be used once within a program, and if not specified defaults to the start of the program.

.wrap

Placed after an instruction, this directive specifies the instruction after which, in normal control flow (i.e. *jmp* with false condition, or no *jmp*), the program wraps (to *.wrap_target* instruction). This directive is invalid outside of a program, may only be used once within a program, and if not specified defaults to after the last program instruction.

.lang_opt <lang> <name> <option>

Specifies an option for the program related to a particular language generator. (See Language Generators in [Raspberry Pi Pico-series C/C++ SDK](#)). This directive is invalid outside of a program.

.word <value>

Stores a raw 16-bit value as an instruction in the program. This directive is invalid outside of a program.

11.3.2. Values

The following types of values can be used to define integer numbers or branch targets:

Table 978. Values in pioasm, i.e. <value>

| | |
|----------------|--|
| <i>integer</i> | An integer value, e.g. 3 or -7. |
| <i>hex</i> | A hexadecimal value, e.g. 0xf. |
| <i>binary</i> | A binary value, e.g. 0b1001. |
| <i>symbol</i> | A value defined by a <i>.define</i> (see <i>pioasm_define</i>). |
| <label> | The instruction offset of the label within the program. Typically used with a JMP instruction (see Section 11.4.2). |
| (<expression>) | An expression to be evaluated; see expressions . Note that the parentheses are necessary. |

11.3.3. Expressions

Expressions may be freely used within pioasm values.

Table 979. Expressions in pioasm i.e. <expression>

| | |
|-----------------------------|---|
| <expression> + <expression> | The sum of two expressions |
| <expression> - <expression> | The difference of two expressions |
| <expression> * <expression> | The multiplication of two expressions |
| <expression> / <expression> | The integer division of two expressions |
| - <expression> | The negation of another expression |

| | |
|---|--|
| <code><expression> << <expression></code> | One expression shifted left by another expression |
| <code><expression> >> <expression></code> | One expression shifted right by another expression |
| <code>:: <expression></code> | The bit reverse of another expression |
| <code><value></code> | Any value (see Section 11.3.2) |

11.3.4. Comments

To create a line comment that ignores all content on a certain line following a certain symbol, use `//` or `;`.

To create a C-style block comment that ignores all content across multiple lines until after a start symbol until an end symbol appears, use `/*` to begin the comment and `*/` to end the comment.

11.3.5. Labels

Labels use the following forms at the start of a line:

```
<symbol>:
```

```
PUBLIC <symbol>:
```

TIP

A label is really just an automatic `.define` with a value set to the current program instruction offset. A `PUBLIC` label is exposed to the user code in the same way as a `PUBLIC .define`.

11.3.6. Instructions

All pioasm instructions follow a common pattern:

```
<instruction> (side <side_set_value>) ([<delay_value>])
```

where:

- `<instruction>` An assembly instruction detailed in the following sections. (see [Section 11.4](#))
- `<side_set_value>` A value (see [Section 11.3.2](#)) to apply to the side_set pins at the start of the instruction. Note that the rules for a side-set value via `side <side_set_value>` are dependent on the `.side_set` (see `pioasm_side_set`) directive for the program. If no `.side_set` is specified then the `side <side_set_value>` is invalid, if an optional number of sideset pins is specified then `side <side_set_value>` may be present, and if a non-optional number of sideset pins is specified, then `side <side_set_value>` is required. The `<side_set_value>` must fit within the number of side-set bits specified in the `.side_set` directive.

`<delay_value>` Specifies the number of cycles to delay after the instruction completes. The `delay_value` is specified as a value (see [Section 11.3.2](#)), and in general is between 0 and 31 inclusive (a 5-bit value), however the number of bits is reduced when sideset is enabled via the `.side_set` (see `pioasm_side_set`) directive. If the `<delay_value>` is not present, then the instruction has no delay.

NOTE

pioasm instruction names, keywords and directives are case insensitive; lower case is used in the *Assembly Syntax* sections below, as this is the style used in the SDK.

NOTE

Commas appear in some *Assembly Syntax* sections below, but are entirely optional, e.g. `out pins, 3` may be written `out pins 3`, and `jmp x-- label` may be written as `jmp x--, label`. The *Assembly Syntax* sections below uses the first style in each case as this is the style used in the SDK.

11.3.7. Pseudo-instructions

pioasm provides aliases for certain instructions, as a convenience:

`nop` Assembles to `mov y, y`. No side effect, but a useful vehicle for a side-set operation or an extra delay.

11.4. Instruction Set

11.4.1. Summary

PIO instructions are 16 bits long, and use the following encoding:

Table 980. PIO instruction encoding

| Bit | 15 | 14 | 13 | 12 | 11 | 10 | 9 | 8 | 7 | 6 | 5 | 4 | 3 | 2 | 1 | 0 | |
|------|----|----|----|----------------|----|----|---|-------------|--------|------|-----------|--------|---|-------|---|---|---|
| JMP | 0 | 0 | 0 | Delay/side-set | | | | Condition | | | Address | | | | | | |
| WAIT | 0 | 0 | 1 | Delay/side-set | | | | Pol | Source | | Index | | | | | | |
| IN | 0 | 1 | 0 | Delay/side-set | | | | Source | | | Bit count | | | | | | |
| OUT | 0 | 1 | 1 | Delay/side-set | | | | Destination | | | Bit count | | | | | | |
| PUSH | 1 | 0 | 0 | Delay/side-set | | | | 0 | IfF | Blk | 0 | 0 | 0 | 0 | 0 | 0 | 0 |
| MOV | 1 | 0 | 0 | Delay/side-set | | | | 0 | 0 | 0 | 1 | IdxI | 0 | Index | | | |
| PULL | 1 | 0 | 0 | Delay/side-set | | | | 1 | IfE | Blk | 0 | 0 | 0 | 0 | 0 | 0 | 0 |
| MOV | 1 | 0 | 0 | Delay/side-set | | | | 1 | 0 | 0 | 1 | IdxI | 0 | Index | | | |
| MOV | 1 | 0 | 1 | Delay/side-set | | | | Destination | | | Op | Source | | | | | |
| IRQ | 1 | 1 | 0 | Delay/side-set | | | | 0 | Clr | Wait | IdxMode | Index | | | | | |
| SET | 1 | 1 | 1 | Delay/side-set | | | | Destination | | | Data | | | | | | |

All PIO instructions execute in one clock cycle.

The function of the 5-bit `Delay/side-set` field depends on the state machine's `SIDASET_COUNT` configuration:

- Up to 5 LSBs (5 minus `SIDASET_COUNT`) encode a number of idle cycles inserted between this instruction and the next.

- Up to 5 MSBs, set by `SIDASET_COUNT`, encode a side-set (Section 11.5.1), which can assert a constant onto some GPIOs, concurrently with main instruction execution.

11.4.2. JMP

11.4.2.1. Encoding

| Bit | 15 | 14 | 13 | 12 | 11 | 10 | 9 | 8 | 7 | 6 | 5 | 4 | 3 | 2 | 1 | 0 |
|-----|----|----|----|----------------|----|----|---|-----------|---|---|---------|---|---|---|---|---|
| JMP | 0 | 0 | 0 | Delay/side-set | | | | Condition | | | Address | | | | | |

11.4.2.2. Operation

Set program counter to `Address` if `Condition` is true, otherwise no operation.

Delay cycles on a `JMP` always take effect, whether `Condition` is true or false, and they take place *after* `Condition` is evaluated and the program counter is updated.

- Condition:
 - 000: *(no condition)*: Always
 - 001: `!X`: scratch X zero
 - 010: `X--`: scratch X non-zero, prior to decrement
 - 011: `!Y`: scratch Y zero
 - 100: `Y--`: scratch Y non-zero, prior to decrement
 - 101: `X!=Y`: scratch X not equal scratch Y
 - 110: `PIN`: branch on input pin
 - 111: `!OSRE`: output shift register not empty
- Address: Instruction address to jump to. In the instruction encoding this is an absolute address within the PIO instruction memory

`JMP PIN` branches on the GPIO selected by `EXECCTRL_JMP_PIN`, a configuration field which selects one out of the maximum of 32 GPIO inputs visible to a state machine, independently of the state machine's other input mapping. The branch is taken if the GPIO is high.

`!OSRE` compares the bits shifted out since the last `PULL` with the shift count threshold configured by `SHIFTCTRL_PULL_THRESH`. This is the same threshold used by autopull (Section 11.5.4).

`JMP X--` and `JMP Y--` always decrement scratch register X or Y, respectively. The decrement is not conditional on the current value of the scratch register. The branch is conditioned on the *initial* value of the register, i.e. before the decrement took place: if the register is initially nonzero, the branch is taken.

11.4.2.3. Assembler syntax

```
jmp (<cond>) <target>
```

where:

- <cond>** An optional condition listed above (e.g. `!x` for scratch X zero). If a condition code is not specified, the branch is always taken.
- <target>** A program label or value (see [Section 11.3.2](#)) representing instruction offset within the program (the first instruction being offset 0). Because the PIO JMP instruction uses absolute addresses in the PIO instruction memory, JMPs need to be adjusted based on the program load offset at runtime. This is handled for you when loading a program with the SDK, but care should be taken when encoding JMP instructions for use by `OUT EXEC`.

11.4.3. WAIT

11.4.3.1. Encoding

| Bit | 15 | 14 | 13 | 12 | 11 | 10 | 9 | 8 | 7 | 6 | 5 | 4 | 3 | 2 | 1 | 0 |
|------|----|----|----|----------------|----|----|---|-----|--------|---|-------|---|---|---|---|---|
| WAIT | 0 | 0 | 1 | Delay/side-set | | | | Pol | Source | | Index | | | | | |

11.4.3.2. Operation

Stall until some condition is met.

Like all stalling instructions ([Section 11.2.5](#)), delay cycles begin after the instruction *completes*. That is, if any delay cycles are present, they do not begin counting until *after* the wait condition is met.

- Polarity:
 - 1: wait for a 1.
 - 0: wait for a 0.
- Source: what to wait on. Values are:
 - 00: **GPIO**: System GPIO input selected by `Index`. This is an absolute GPIO index, and is not affected by the state machine’s input IO mapping.
 - 01: **PIN**: Input pin selected by `Index`. This state machine’s input IO mapping is applied first, and then `Index` selects which of the mapped bits to wait on. In other words, the pin is selected by adding `Index` to the `PINCTRL_IN_BASE` configuration, modulo 32.
 - 10: **IRQ**: PIO IRQ flag selected by `Index`
 - 11: **JMPPIN**: wait on the pin indexed by the `PINCTRL_JMP_PIN` configuration, plus an `Index` in the range 0-3, all modulo 32. Other values of `Index` are reserved.
- Index: which pin or bit to check.

WAIT x IRQ behaves slightly differently from other **WAIT** sources:

- If `Polarity` is 1, the selected IRQ flag is cleared by the state machine upon the wait condition being met.
- The flag index is decoded in the same way as the `IRQ` index field, decoding down from the two MSBs (aligning with the `IRQ` instruction `IdxMode` field):
 - `00`: the three LSBs are used directly to index the IRQ flags in this PIO block.
 - `01 (PREV)`, the instruction references an IRQ from the next-lower-numbered PIO in the system, wrapping to the highest-numbered PIO if this is PIO0.
 - `10 (REL)`, the state machine ID (0...3) is added to the IRQ index, by way of modulo-4 addition on the two LSBs. For example, state machine 2 with a flag value of `0x11` will wait on flag 3, and a flag value of `0x13` will wait on flag 1. This allows multiple state machines running the same program to synchronise with each other.

- 11 (NEXT), the instruction references an IRQ from the next-higher-numbered PIO in the system, wrapping to PIO0 if this is the highest-numbered PIO.

CAUTION

WAIT 1 IRQ x should not be used with IRQ flags presented to the interrupt controller, to avoid a race condition with a system interrupt handler

11.4.3.3. Assembler syntax

```
wait <polarity> gpio <gpio_num>
```

```
wait <polarity> pin <pin_num>
```

```
wait <polarity> irq (prev | next) <irq_num> (rel)
```

```
wait <polarity> jmppin (+ <pin_offset>)
```

where:

- <polarity> A value (see Section 11.3.2) specifying the polarity (either 0 or 1).
- <pin_num> A value (see Section 11.3.2) specifying the input pin number (as mapped by the SM input pin mapping).
- <gpio_num> A value (see Section 11.3.2) specifying the actual GPIO pin number.
- <irq_num> (rel) A value (see Section 11.3.2) specifying The IRQ number to wait on (0-7). If rel is present, then the actual IRQ number used is calculating by replacing the low two bits of the IRQ number (irq_num₁₀) with the low two bits of the sum (irq_num₁₀ + sm_num₁₀) where sm_num₁₀ is the state machine number.
- prev To wait on the IRQ on the next lower numbered PIO block instead of on the current PIO block
- next To wait on the IRQ on the next higher numbered PIO block instead of on the current PIO block
- <pin_offset> A value (see Section 11.3.2) added to the jmp_pin to get the actual pin number.

11.4.4. IN

11.4.4.1. Encoding

| Bit | 15 | 14 | 13 | 12 | 11 | 10 | 9 | 8 | 7 | 6 | 5 | 4 | 3 | 2 | 1 | 0 |
|-----|----|----|----|----------------|----|----|---|--------|---|---|-----------|---|---|---|---|---|
| IN | 0 | 1 | 0 | Delay/side-set | | | | Source | | | Bit count | | | | | |

11.4.4.2. Operation

Shift *Bit count* bits from *Source* into the Input Shift Register (ISR). Shift direction is configured for each state machine by *SHIFTCTRL_IN_SHIFTDIR*. Additionally, increase the input shift count by *Bit count*, saturating at 32.

- Source:
 - 000: *PINS*
 - 001: *X* (scratch register X)
 - 010: *Y* (scratch register Y)
 - 011: *NULL* (all zeroes)
 - 100: Reserved
 - 101: Reserved
 - 110: *ISR*
 - 111: *OSR*
- Bit count: How many bits to shift into the ISR. 1...32 bits, 32 is encoded as *0000*

If automatic push is enabled, *IN* will also push the ISR contents to the RX FIFO if the push threshold is reached (*SHIFTCTRL_PUSH_THRESH*). *IN* still executes in one cycle, whether an automatic push takes place or not. The state machine will stall if the RX FIFO is full when an automatic push occurs. An automatic push clears the ISR contents to all-zeroes, and clears the input shift count. See [Section 11.5.4](#).

IN always uses the least significant *Bit count* bits of the source data. For example, if *PINCTRL_IN_BASE* is set to 5, the instruction *IN PINS, 3* will take the values of pins 5, 6 and 7, and shift these into the ISR. First the ISR is shifted to the left or right to make room for the new input data, then the input data is copied into the gap this leaves. The bit order of the input data is not dependent on the shift direction.

NULL can be used for shifting the ISR's contents. For example, UARTs receive the LSB first, so must shift to the right. After 8 *IN PINS, 1* instructions, the input serial data will occupy bits 31...24 of the ISR. An *IN NULL, 24* instruction will shift in 24 zero bits, aligning the input data at ISR bits 7...0. Alternatively, the processor or DMA could perform a byte read from FIFO address + 3, which would take bits 31...24 of the FIFO contents.

11.4.4.3. Assembler syntax

```
in <source>, <bit_count>
```

where:

- <source>* One of the sources specified above.
- <bit_count>* A value (see [Section 11.3.2](#)) specifying the number of bits to shift (valid range 1-32).

11.4.5. OUT

11.4.5.1. Encoding

| Bit | 15 | 14 | 13 | 12 | 11 | 10 | 9 | 8 | 7 | 6 | 5 | 4 | 3 | 2 | 1 | 0 |
|-----|----|----|----|----------------|----|----|---|-------------|---|---|-----------|---|---|---|---|---|
| OUT | 0 | 1 | 1 | Delay/side-set | | | | Destination | | | Bit count | | | | | |

11.4.5.2. Operation

Shift **Bit count** bits out of the Output Shift Register (OSR), and write those bits to **Destination**. Additionally, increase the output shift count by **Bit count**, saturating at 32.

- Destination:
 - 000: **PINS**
 - 001: **X** (scratch register X)
 - 010: **Y** (scratch register Y)
 - 011: **NULL** (discard data)
 - 100: **PINDIRS**
 - 101: **PC**
 - 110: **ISR** (also sets ISR shift counter to **Bit count**)
 - 111: **EXEC** (Execute OSR shift data as instruction)
- Bit count: how many bits to shift out of the OSR. 1...32 bits, 32 is encoded as **00000**

A 32-bit value is written to **Destination**: the lower **Bit count** bits come from the OSR, and the remainder are zeroes. This value is the least significant **Bit count** bits of the OSR if **SHIFTCTRL_OUT_SHIFDIR** is to the right, otherwise it is the most significant bits.

PINS and **PINDIRS** use the **OUT** pin mapping, as described in [Section 11.5.6](#).

If automatic pull is enabled, the OSR is automatically refilled from the TX FIFO if the pull threshold, **SHIFTCTRL_PULL_THRESH**, is reached. The output shift count is simultaneously cleared to 0. In this case, the **OUT** will stall if the TX FIFO is empty, but otherwise still executes in one cycle. The specifics are given in [Section 11.5.4](#).

OUT EXEC allows instructions to be included inline in the FIFO datastream. The **OUT** itself executes on one cycle, and the instruction from the OSR is executed on the next cycle. There are no restrictions on the types of instructions which can be executed by this mechanism. Delay cycles on the initial **OUT** are ignored, but the executee may insert delay cycles as normal.

OUT PC behaves as an unconditional jump to an address shifted out from the OSR.

11.4.5.3. Assembler syntax

```
out <destination>, <bit_count>
```

where:

- <destination>** One of the destinations specified above.
- <bit_count>** A value (see [Section 11.3.2](#)) specifying the number of bits to shift (valid range 1-32).

11.4.6. PUSH

11.4.6.1. Encoding

| Bit | 15 | 14 | 13 | 12 | 11 | 10 | 9 | 8 | 7 | 6 | 5 | 4 | 3 | 2 | 1 | 0 |
|-------------|----|----|----|----------------|----|----|---|---|-----|-----|---|---|---|---|---|---|
| PUSH | 1 | 0 | 0 | Delay/side-set | | | | 0 | Iff | Blk | 0 | 0 | 0 | 0 | 0 | 0 |

11.4.6.2. Operation

Push the contents of the ISR into the RX FIFO, as a single 32-bit word. Clear ISR to all-zeroes.

- **Iffull**: If 1, do nothing unless the total input shift count has reached its threshold, `SHIFTCTRL_PUSH_THRESH` (the same as for autopush; see [Section 11.5.4](#)).
- **Block**: If 1, stall execution if RX FIFO is full.

`PUSH IFFULL` helps to make programs more compact, like autopush. It is useful in cases where the `IN` would stall at an inappropriate time if autopush were enabled, e.g. if the state machine is asserting some external control signal at this point.

The PIO assembler sets the `Block` bit by default. If the `Block` bit is not set, the `PUSH` does not stall on a full RX FIFO, instead continuing immediately to the next instruction. The FIFO state and contents are unchanged when this happens. The ISR is still cleared to all-zeroes, and the `FDEBUG_RXSTALL` flag is set (the same as a blocking `PUSH` or autopush to a full RX FIFO) to indicate data was lost.

NOTE

The operation of the `PUSH` instruction is undefined when `SM0_SHIFTCTRL.FJOIN_RX_PUT` or `FJOIN_RX_GET` is set – see [Section 11.4.8](#) and [Section 11.4.9](#) for details of the `PUT` and `GET` instruction which can be used in this state.

11.4.6.3. Assembler syntax

```
push (iffull)
```

```
push (iffull) block
```

```
push (iffull) noblock
```

where:

- `iffull` Equivalent to `Iffull == 1` above. i.e. the default if this is not specified is `Iffull == 0`.
- `block` Equivalent to `Block == 1` above. This is the default if neither `block` nor `noblock` is specified.
- `noblock` Equivalent to `Block == 0` above.

11.4.7. PULL

11.4.7.1. Encoding

| Bit | 15 | 14 | 13 | 12 | 11 | 10 | 9 | 8 | 7 | 6 | 5 | 4 | 3 | 2 | 1 | 0 |
|-------------------|----|----|----|----------------|----|----|---|---|---|-----|-----|---|---|---|---|---|
| <code>PULL</code> | 1 | 0 | 0 | Delay/side-set | | | | | 1 | IfE | Blk | 0 | 0 | 0 | 0 | 0 |

11.4.7.2. Operation

Load a 32-bit word from the TX FIFO into the OSR.

- **IfEmpty**: If 1, do nothing unless the total output shift count has reached its threshold, `SHIFTCTRL_PULL_THRESH` (the same as for autopull; see [Section 11.5.4](#)).
- **Block**: If 1, stall if TX FIFO is empty. If 0, pulling from an empty FIFO copies scratch X to OSR.

Some peripherals (UART, SPI, etc.) should halt when no data is available, and pick it up as it comes in; others (I2S) should clock continuously, and it is better to output placeholder or repeated data than to stop clocking. This can be achieved with the **Block** parameter.

A non-blocking **PULL** on an empty FIFO has the same effect as `MOV OSR, X`. The program can either preload scratch register X with a suitable default, or execute a `MOV X, OSR` after each `PULL NOBLOCK`, so that the last valid FIFO word will be recycled until new data is available.

PULL IFEMPTY is useful if an **OUT** with autopull would stall in an inappropriate location when the TX FIFO is empty. **IfEmpty** permits some of the same program simplifications as autopull: for example, the elimination of an outer loop counter. However, the stall occurs at a controlled point in the program.

i NOTE

When autopull is enabled, any **PULL** instruction is a no-op when the OSR is full, so that the **PULL** instruction behaves as a barrier. `OUT NULL, 32` can be used to explicitly discard the OSR contents. See [Section 11.5.4.2](#) for more detail.

11.4.7.3. Assembler syntax

```
pull (ifempty)
```

```
pull (ifempty) block
```

```
pull (ifempty) noblock
```

where:

- ifempty** Equivalent to `IfEmpty == 1` above. i.e. the default if this is not specified is `IfEmpty == 0`.
- block** Equivalent to `Block == 1` above. This is the default if neither **block** nor **noblock** is specified.
- noblock** Equivalent to `Block == 0` above.

11.4.8. MOV (to RX)

11.4.8.1. Encoding

| Bit | 15 | 14 | 13 | 12 | 11 | 10 | 9 | 8 | 7 | 6 | 5 | 4 | 3 | 2 | 1 | 0 |
|------------|----|----|----|----------------|----|----|---|---|---|---|---|------|-------|---|---|---|
| MOV | 1 | 0 | 0 | Delay/side-set | | | | 0 | 0 | 0 | 1 | Idxl | Index | | | |

11.4.8.2. Operation

Write the ISR to a selected RX FIFO entry. The state machine can write the RX FIFO entries in any order, indexed either by the Y register, or an immediate Index in the instruction. Requires the `SHIFTCTRL_FJOIN_RX_PUT` configuration field to be set, otherwise its operation is undefined. The FIFO configuration can be specified for the program via the `.fifo` directive (see `pioasm_fifo`).

If `Idxl` (index by immediate) is set, the RX FIFO's registers are indexed by the two least-significant bits of the Index operand. Otherwise, they are indexed by the two least-significant bits of the Y register. When `Idxl` is clear, all non-zero values of Index are reserved encodings, and their operation is undefined.

When only `SHIFTCTRL_FJOIN_RX_PUT` is set (in `SM0_SHIFTCTRL` through `SM3_SHIFTCTRL`), the system can also read the RX FIFO registers with random access via `RXF0_PUTGET0` through `RXF0_PUTGET3` (where `RXFx` indicates which state machine's FIFO is being accessed). In this state, the FIFO register storage is repurposed as status registers, which the state machine can update at any time and the system can read at any time. For example, a quadrature decoder program could maintain the current step count in a status register at all times, rather than pushing to the RX FIFO and potentially blocking.

When both `SHIFTCTRL_FJOIN_RX_PUT` and `SHIFTCTRL_FJOIN_RX_GET` are set, the system can no longer access the RX FIFO storage registers, but the state machine can now put/get the registers in arbitrary order, allowing them to be used as additional scratch storage.

i NOTE

The RX FIFO storage registers have only a single read port and write port, and access through each port is assigned to only one of (system, state machine) at any time.

11.4.8.3. Assembler syntax

```
mov rxfifo[y], isr
```

```
mov rxfifo[<index>], isr
```

where:

- `y` The literal token "y", indicating the RX FIFO entry is indexed by the Y register.
- `<index>` A value (see [Section 11.3.2](#)) specifying the RX FIFO entry to write (valid range 0-3).

11.4.9. MOV (from RX)

11.4.9.1. Encoding

| Bit | 15 | 14 | 13 | 12 | 11 | 10 | 9 | 8 | 7 | 6 | 5 | 4 | 3 | 2 | 1 | 0 |
|------------------|----|----|----|----------------|----|----|---|---|---|---|---|-------------------|-------|---|---|---|
| <code>MOV</code> | 1 | 0 | 0 | Delay/side-set | | | | 1 | 0 | 0 | 1 | <code>Idxl</code> | Index | | | |

11.4.9.2. Operation

Read the selected RX FIFO entry into the OSR. The PIO state machine can read the FIFO entries in any order, indexed either by the Y register, or an immediate Index in the instruction. Requires the `SHIFTCTRL_FJOIN_RX_GET` configuration field to be set, otherwise its operation is undefined.

If `IdxI` (index by immediate) is set, the RX FIFO's registers are indexed by the two least-significant bits of the Index operand. Otherwise, they are indexed by the two least-significant bits of the Y register. When `IdxI` is clear, all non-zero values of Index are reserved encodings, and their operation is undefined.

When only `SHIFTCTRL_FJOIN_RX_GET` is set, the system can also write the RX FIFO registers with random access via `RXFO_PUTGET0` through `RXFO_PUTGET3` (where `RxFx` indicates which state machine's FIFO is being accessed). In this state, the RX FIFO register storage is repurposed as additional configuration registers, which the system can update at any time and the state machine can read at any time. For example, a UART TX program might use these registers to configure the number of data bits, or the presence of an additional stop bit.

When both `SHIFTCTRL_FJOIN_RX_PUT` and `SHIFTCTRL_FJOIN_RX_GET` are set, the system can no longer access the RX FIFO storage registers, but the state machine can now put/get the registers in arbitrary order, allowing them to be used as additional scratch storage.

i NOTE

The RX FIFO storage registers have only a single read port and write port, and access through each port is assigned to only one of (system, state machine) at any time.

11.4.9.3. Assembler syntax

```
mov osr, rxfifo[y]
```

```
mov osr, rxfifo[<index>]
```

where:

- `y` The literal token "y", indicating the RX FIFO entry is indexed by the Y register.
- `<index>` A value (see [Section 11.3.2](#)) specifying the RX FIFO entry to read (valid range 0-3).

11.4.10. MOV

11.4.10.1. Encoding

| Bit | 15 | 14 | 13 | 12 | 11 | 10 | 9 | 8 | 7 | 6 | 5 | 4 | 3 | 2 | 1 | 0 |
|------------------|----|----|----|----------------|----|----|---|-------------|---|---|----|--------|---|---|---|---|
| <code>MOV</code> | 1 | 0 | 1 | Delay/side-set | | | | Destination | | | Op | Source | | | | |

11.4.10.2. Operation

Copy data from `Source` to `Destination`.

- Destination:

- 000: **PINS** (Uses same pin mapping as **OUT**)
 - 001: **X** (Scratch register X)
 - 010: **Y** (Scratch register Y)
 - 011: **PINDIRS** (Uses same pin mapping as **OUT**)
 - 100: **EXEC** (Execute data as instruction)
 - 101: **PC**
 - 110: **ISR** (Input shift counter is reset to 0 by this operation, i.e. empty)
 - 111: **OSR** (Output shift counter is reset to 0 by this operation, i.e. full)
- Operation:
 - 00: None
 - 01: Invert (bitwise complement)
 - 10: Bit-reverse
 - 11: Reserved
 - Source:
 - 000: **PINS** (Uses same pin mapping as **IN**)
 - 001: **X**
 - 010: **Y**
 - 011: **NULL**
 - 100: Reserved
 - 101: **STATUS**
 - 110: **ISR**
 - 111: **OSR**

MOV PC causes an unconditional jump. **MOV EXEC** has the same behaviour as **OUT EXEC** (Section 11.4.5), and allows register contents to be executed as an instruction. The **MOV** itself executes in 1 cycle, and the instruction in **Source** on the next cycle. Delay cycles on **MOV EXEC** are ignored, but the executee may insert delay cycles as normal.

The **STATUS** source has a value of all-ones or all-zeroes, depending on some state machine status such as FIFO full/empty, configured by **EXECCTRL_STATUS_SEL**.

MOV can manipulate the transferred data in limited ways, specified by the **Operation** argument. Invert sets each bit in **Destination** to the logical NOT of the corresponding bit in **Source**, i.e. 1 bits become 0 bits, and vice versa. Bit reverse sets each bit *n* in **Destination** to bit 31 - *n* in **Source**, assuming the bits are numbered 0 to 31.

MOV dst, PINS reads pins using the **IN** pin mapping, masked to the number of bits specified by **SHIFTCTRL_IN_COUNT**. The LSB of the read value is the pin indicated by **PINCTRL_IN_BASE**, and each successive bit comes from a higher-numbered pin, wrapping after 31. Result bits greater than the width specified by **SHIFTCTRL_IN_COUNT** configuration are 0.

MOV PINDIRS, src is not supported on PIO version 0.

11.4.10.3. Assembler syntax

```
mov <destination>, (op) <source>
```

where:

<destination> One of the destinations specified above.

op If present, is:

! or ~ for NOT (Note: this is always a bitwise NOT)

11.4.11. IRQ

11.4.11.1. Encoding

| Bit | 15 | 14 | 13 | 12 | 11 | 10 | 9 | 8 | 7 | 6 | 5 | 4 | 3 | 2 | 1 | 0 |
|-----|----|----|----|----------------|----|----|---|---|-----|------|---------|---|---|-------|---|---|
| IRQ | 1 | 1 | 0 | Delay/side-set | | | | 0 | Clr | Wait | IdxMode | | | Index | | |

11.4.11.2. Operation

Set or clear the IRQ flag selected by **Index** argument.

- Clear: if 1, clear the flag selected by **Index**, instead of raising it. If **Clear** is set, the **Wait** bit has no effect.
- Wait: if 1, halt until the raised flag is lowered again, e.g. if a system interrupt handler has acknowledged the flag.
- Index: specifies an IRQ index from 0-7. This IRQ flag will be set/cleared depending on the Clear bit.
- IdxMode: modify the behaviour if the Index field, either modifying the index, or indexing IRQ flags from a different PIO block:
 - 00: the three LSBs are used directly to index the IRQ flags in this PIO block.
 - 01 (PREV): the instruction references an IRQ flag from the next-lower-numbered PIO in the system, wrapping to the highest-numbered PIO if this is PIO0.
 - 10 (REL): the state machine ID (0...3) is added to the IRQ flag index, by way of modulo-4 addition on the two LSBs. For example, state machine 2 with a flag value of '0x11' will wait on flag 3, and a flag value of '0x13' will wait on flag 1. This allows multiple state machines running the same program to synchronise with each other.
 - 11 (NEXT): the instruction references an IRQ flag from the next-higher-numbered PIO in the system, wrapping to PIO0 if this is the highest-numbered PIO.

All IRQ flags 0-7 can be routed out to system level interrupts, on either of the PIO's two external interrupt request lines, configured by **IRQ0_INTE** and **IRQ1_INTE**.

The modulo addition mode (**REL**) allows relative addressing of 'IRQ' and 'WAIT' instructions, for synchronising state machines which are running the same program. Bit 2 (the third LSB) is unaffected by this addition.

The **NEXT/PREV** modes can be used to synchronise between state machines in different PIO blocks. If these state machines' clocks are divided, their clock dividers must be the same, and must have been synchronised by writing **CTRL.NEXTPREV_CLKDIV_RESTART** in addition to the relevant **NEXT_PIO_MASK/PREV_PIO_MASK** bits. Note that the cross-PIO connection is severed between PIOs with different accessibility to Non-secure code, as per **ACCESSCTRL**.

If **Wait** is set, **Delay** cycles do not begin until after the wait period elapses.

11.4.11.3. Assembler syntax

```
irq (prev | next) <irq_num> (rel)
```

```
irq (prev | next) set <irq_num> (rel)
```

```
irq (prev | next) nowait <irq_num> (rel)
```

```
irq (prev | next) wait <irq_num> (rel)
```

```
irq (prev | next) clear <irq_num> (rel)
```

where:

- `<irq_num> (rel)` A value (see [Section 11.3.2](#)) specifying the IRQ number to target (0-7). If `rel` is present, then the actual IRQ number used is calculated by replacing the low two bits of the IRQ number (`irq_num10`) with the low two bits of the sum (`irq_num10 + sm_num10`) where `sm_num10` is the state machine number.
- `irq` Set the IRQ without waiting.
- `irq set` Set the IRQ without waiting.
- `irq nowait` Set the IRQ without waiting.
- `irq wait` Set the IRQ and wait for it to be cleared before proceeding.
- `irq clear` Clear the IRQ.
- `prev` To target the IRQ on the next lower numbered PIO block instead of the current PIO block
- `next` To target the IRQ on the next higher numbered PIO block instead of the current PIO block

11.4.12. SET

11.4.12.1. Encoding

| Bit | 15 | 14 | 13 | 12 | 11 | 10 | 9 | 8 | 7 | 6 | 5 | 4 | 3 | 2 | 1 | 0 |
|-----|----|----|----|----------------|----|----|---|-------------|---|---|------|---|---|---|---|---|
| SET | 1 | 1 | 1 | Delay/side-set | | | | Destination | | | Data | | | | | |

11.4.12.2. Operation

Write immediate value `Data` to `Destination`.

- Destination:

- 000: **PINS**
 - 001: **X** (scratch register X) 5 LSBs are set to **Data**, all others cleared to 0.
 - 010: **Y** (scratch register Y) 5 LSBs are set to **Data**, all others cleared to 0.
 - 011: Reserved
 - 100: **PINDIRS**
 - 101: Reserved
 - 110: Reserved
 - 111: Reserved
- Data: 5-bit immediate value to drive to pins or register.

This can be used to assert control signals such as a clock or chip select, or to initialise loop counters. As **Data** is 5 bits in size, scratch registers can be **SET** to values from 0-31, which is sufficient for a 32-iteration loop.

The mapping of **SET** and **OUT** onto pins is configured independently. They may be mapped to distinct locations, for example if one pin is to be used as a clock signal, and another for data. They may also be overlapping ranges of pins: a UART transmitter might use **SET** to assert start and stop bits, and **OUT** instructions to shift out FIFO data to the same pins.

11.4.12.3. Assembler syntax

```
set <destination>, <value>
```

where:

- <destination>** Is one of the destinations specified above.
- <value>** The value (see [Section 11.3.2](#)) to set (valid range 0-31).

11.5. Functional details

11.5.1. Side-set

Side-set is a feature that allows state machines to change the level or direction of up to 5 pins, concurrently with the main execution of the instruction.

One example where this is necessary is a fast SPI interface: here a clock transition (toggling 1→0 or 0→1) must be simultaneous with a data transition, where a new data bit is shifted from the OSR to a GPIO. In this case an **OUT** with a side-set would achieve both of these at once.

This makes the timing of the interface more precise, reduces the overall program size (as a separate **SET** instruction is not needed to toggle the clock pin), and also increases the maximum frequency the SPI can run at.

Side-set also makes GPIO mapping much more flexible, as its mapping is independent from **SET**. The example I2C code allows SDA and SCL to be mapped to any two arbitrary pins, if clock stretching is disabled. Normally, SCL toggles to synchronise data transfer, and SDA contains the data bits being shifted out. However, some particular I2C sequences such as **Start** and **Stop** line conditions, need a fixed pattern to be driven on SDA as well as SCL. The mapping I2C uses to achieve this is:

- Side-set → SCL

- `OUT` → SDA
- `SET` → SDA

This lets the state machine serve the two use cases of data on SDA and clock on SCL, or fixed transitions on both SDA and SCL, while still allowing SDA and SCL to be mapped to any two GPIOs of choice.

The side-set data is encoded in the `Delay/side-set` field of each instruction. Any instruction can be combined with side-set, including instructions which write to the pins, such as `OUT PINS` or `SET PINS`. Side-set's pin mapping is independent from `OUT` and `SET` mappings, though it may overlap. If side-set and an `OUT` or `SET` write to the same pin simultaneously, the side-set data is used.

i NOTE

If an instruction stalls, the side-set still takes effect immediately.

```

1 .program spi_tx_fast
2 .side_set 1
3
4 loop:
5     out pins, 1 side 0
6     jmp loop side 1

```

The `spi_tx_fast` example shows two benefits of this: data and clock transitions can be more precisely co-aligned, and programs can be made faster overall, with an output of one bit per two system clock cycles in this case. Programs can also be made smaller.

There are four things to configure when using side-set:

- The number of MSBs of the `Delay/side-set` field to use for side-set rather than delay. This is configured by `PINCTRL_SIDESET_COUNT`. If this is set to 5, delay cycles are not available. If set to 0, no side-set will take place.
- Whether to use the most significant of these bits as an enable. Side-set takes place on instructions where the enable is high. If there is no enable bit, **every** instruction on that state machine will perform a side-set, if `SIDESET_COUNT` is nonzero. This is configured by `EXECCTRL_SIDE_EN`.
- The GPIO number to map the least-significant side-set bit to. Configured by `PINCTRL_SIDESET_BASE`.
- Whether side-set writes to GPIO levels or GPIO directions. Configured by `EXECCTRL_SIDE_PINDIR`

In the above example, we have only one side-set data bit, and every instruction performs a side-set, so no enable bit is required. `SIDESET_COUNT` would be 1, `SIDE_EN` would be false. `SIDE_PINDIR` would also be false, as we want to drive the clock high and low, not high- and low-impedance. `SIDESET_BASE` would select the GPIO the clock is driven from.

11.5.2. Program wrapping

PIO programs often have an "outer loop": they perform the same sequence of steps, repetitively, as they transfer a stream of data between the FIFOs and the outside world. The square wave program from the introduction is a minimal example of this:

Pico Examples: <https://github.com/raspberrypi/pico-examples/blob/master/pio/squarewave/squarewave.pio> Lines 8 - 13

```

8 .program squarewave
9     set pindirs, 1 ; Set pin to output
10 again:
11     set pins, 1 [1] ; Drive pin high and then delay for one cycle
12     set pins, 0 ; Drive pin low
13     jmp again ; Set PC to label `again`

```


The main body of the program drives a pin high, and then low, producing one period of a square wave. The entire program then loops, driving a periodic output. The jump itself takes one cycle, as does each `set` instruction, so to keep the high and low periods of the same duration, the `set pins, 1` has a single delay cycle added, which makes the state machine idle for one cycle before executing the `set pins, 0` instruction. In total, each loop takes four cycles. There are two frustrations here:

- The `JMP` takes up space in the instruction memory that could be used for other programs
- The extra cycle taken to execute the `JMP` ends up *halving* the maximum output rate

As the Program Counter (`PC`) naturally wraps to 0 when incremented past 31, we could solve the second of these by filling the entire instruction memory with a repeating pattern of `set pins, 1` and `set pins, 0`, but this is wasteful. State machines have a hardware feature, configured via their `EXECCTRL` control register, which solves this common case.

Pico Examples: https://github.com/raspberrypi/pico-examples/blob/master/pio/squarewave/squarewave_wrap.pio Lines 12 - 20

```
12 .program squarewave_wrap
13 ; Like squarewave, but use the state machine's .wrap hardware instead of an
14 ; explicit jmp. This is a free (0-cycle) unconditional jump.
15
16     set pindirs, 1    ; Set pin to output
17 .wrap_target
18     set pins, 1 [1]  ; Drive pin high and then delay for one cycle
19     set pins, 0 [1]  ; Drive pin low and then delay for one cycle
20 .wrap
```

After executing an instruction from the program memory, state machines use the following logic to update `PC`:

1. If the current instruction is a `JMP`, and the `Condition` is true, set `PC` to the `Target`
2. Otherwise, if `PC` matches `EXECCTRL_WRAP_TOP`, set `PC` to `EXECCTRL_WRAP_BOTTOM`
3. Otherwise, increment `PC`, or set to 0 if the current value is 31.

The `.wrap_target` and `.wrap` assembly directives in `pioasm` are essentially labels. They export constants which can be written to the `WRAP_BOTTOM` and `WRAP_TOP` control fields, respectively:

Pico Examples: https://github.com/raspberrypi/pico-examples/blob/master/pio/squarewave/generated/squarewave_wrap.pio.h

```
1 // ----- //
2 // This file is autogenerated by pioasm; do not edit! //
3 // ----- //
4
5 #pragma once
6
7 #include "hardware/pio.h"
8
9 // ----- //
10 // squarewave_wrap //
11 // ----- //
12
13 #define squarewave_wrap_wrap_target 1
14 #define squarewave_wrap_wrap 2
15 #define squarewave_wrap_pio_version 0
16
17 static const uint16_t squarewave_wrap_program_instructions[] = {
18     0xe081, // 0: set  pindirs, 1
19           //      .wrap_target
20     0xe101, // 1: set  pins, 1           [1]
21     0xe100, // 2: set  pins, 0           [1]
22           //      .wrap
23 };
24
```

```

25 static const struct pio_program squarewave_wrap_program = {
26     .instructions = squarewave_wrap_program_instructions,
27     .length = 3,
28     .origin = -1,
29     .pio_version = squarewave_wrap_pio_version,
30     .used_gpio_ranges = 0x0
31 #endif
32 };
33
34 static inline pio_sm_config squarewave_wrap_program_get_default_config(uint offset) {
35     pio_sm_config c = pio_get_default_sm_config();
36     sm_config_set_wrap(&c, offset + squarewave_wrap_wrap_target, offset +
37         squarewave_wrap_wrap);
38     return c;
39 }

```

This is raw output from the PIO assembler, `pioasm`, which has created a default `pio_sm_config` object containing the `WRAP` register values from the program listing. The control register fields could also be initialised directly.

i NOTE

`WRAP_BOTTOM` and `WRAP_TOP` are absolute addresses in the PIO instruction memory. If a program is loaded at an offset, the wrap addresses must be adjusted accordingly.

The `squarewave_wrap` example has delay cycles inserted, so that it behaves identically to the original `squarewave` program. Thanks to program wrapping, these can now be removed, so that the output toggles twice as fast, while maintaining an even balance of high and low periods.

Pico Examples: https://github.com/raspberrypi/pico-examples/blob/master/pio/squarewave/squarewave_fast.pio Lines 12 - 18

```

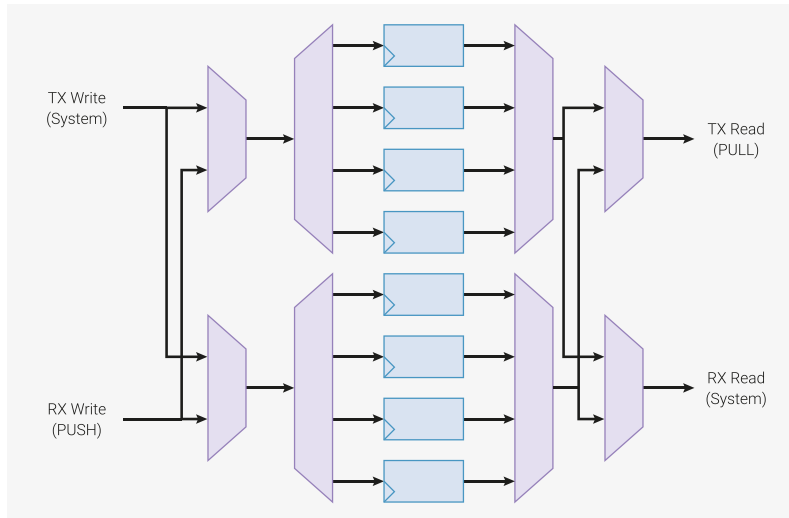
12 .program squarewave_fast
13 ; Like squarewave_wrap, but remove the delay cycles so we can run twice as fast.
14     set pindir, 1    ; Set pin to output
15 .wrap_target
16     set pins, 1      ; Drive pin high
17     set pins, 0      ; Drive pin low
18 .wrap

```

11.5.3. FIFO joining

By default, each state machine possesses a 4-entry FIFO in each direction: one for data transfer from system to state machine (TX), the other for the reverse direction (RX). However, many applications do not require bidirectional data transfer between the system and an individual state machine, but may benefit from deeper FIFOs: in particular, high-bandwidth interfaces such as DPI. For these cases, `SHIFTCTRL_FJOIN` can merge the two 4-entry FIFOs into a single 8-entry FIFO.

Figure 48. Joinable dual FIFO. A pair of four-entry FIFOs, implemented with four data registers, a 1:4 decoder and a 4:1 multiplexer. Additional multiplexing allows write data and read data to cross between the TX and RX lanes, so that all 8 entries are accessible from both ports



Another example is a UART: because the TX/CTS and RX/RTS parts of a UART are asynchronous, they are implemented on two separate state machines. It would be wasteful to leave half of each state machine's FIFO resources idle. The ability to join the two halves into just a TX FIFO for the TX/CTS state machine, or just an RX FIFO in the case of the RX/RTS state machine, allows full utilisation. A UART equipped with an 8-deep FIFO can be left alone for twice as long between interrupts as one with only a 4-deep FIFO.

When one FIFO is increased in size (from 4 to 8), the other FIFO on that state machine is reduced to zero. For example, if joining to TX, the RX FIFO is unavailable, and any **PUSH** instruction will stall. The RX FIFO will appear both **RXFULL** and **RXEMPTY** in the **FSTAT** register. The converse is true if joining to RX: the TX FIFO is unavailable, and the **TXFULL** and **TXEMPTY** bits for this state machine will both be set in **FSTAT**. Setting both **FJOIN_RX** and **FJOIN_TX** makes both FIFOs unavailable.

8 FIFO entries is sufficient for 1 word per clock through the RP2350 system DMA, provided the DMA is not slowed by contention with other masters.

CAUTION

Changing **FJOIN** discards any data present in the state machine's FIFOs. If this data is irreplaceable, it must be drained beforehand.

11.5.4. Autopush and Autopull

With each **OUT** instruction, the OSR gradually empties, as data is shifted out. Once empty, it must be refilled: for example, a **PULL** transfers one word of data from the TX FIFO to the OSR. Similarly, the ISR must be emptied once full. One approach to this is a loop which performs a **PULL** after an appropriate amount of data has been shifted:

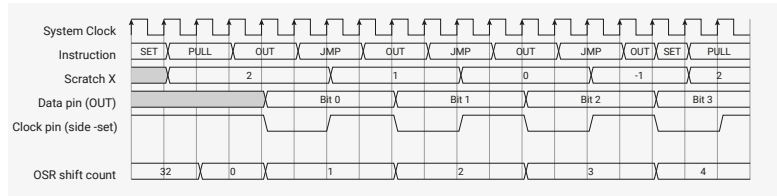
```

1 .program manual_pull
2 .side_set 1 opt
3
4 .wrap_target
5     set x, 2                ; X = bit count - 2
6     pull                    side 1 [1] ; Stall here if no TX data
7 bitloop:
8     out pins, 1            side 0 [1] ; Shift out data bit and toggle clock low
9     jmp x-- bitloop side 1 [1] ; Loop runs 3 times
10    out pins, 1            side 0      ; Shift out last bit before reloading X
11 .wrap
    
```

This program shifts out 4 bits from each FIFO word, with an accompanying bit clock, at a constant rate of 1 bit per 4 cycles. When the TX FIFO is empty, it stalls with the clock high (noting that side-set still takes place on cycles where the

instruction stalls). Figure 49 shows how a state machine would execute this program.

Figure 49. Execution of manual_pull program. X is used as a loop counter. On each iteration, one data bit is shifted out, and the clock is asserted low, then high. A delay cycle on each instruction brings the total up to four cycles per iteration. After the third loop, a fourth bit is shifted out, and the state machine immediately returns to the start of the program to reload the loop counter and pull fresh data, while maintaining the 4 cycles/bit cadence.



This program has some limitations:

- It occupies 5 instruction slots, but only 2 of these are immediately useful (out pins, 1 set 0 and ... set 1), for outputting serial data and a clock.
- Throughput is limited to system clock over 4, due to the extra cycles required to pull in new data, and reload the loop counter.

This is a common type of problem for PIO, so each state machine has some extra hardware to handle it. State machines keep track of the total shift count OUT of the OSR and IN to the ISR, and trigger certain actions once these counters reach a programmable threshold.

- On an OUT instruction which reaches or exceeds the pull threshold, the state machine can simultaneously refill the OSR from the TX FIFO, if data is available.
- On an IN instruction which reaches or exceeds the push threshold, the state machine can write the shift result directly to the RX FIFO, and clear the ISR.

The manual_pull example can be rewritten to take advantage of automatic pull (autopull):

```

1 .program autopull
2 .side_set 1
3
4 .wrap_target
5   out pins, 1   side 0   [1]
6   nop          side 1   [1]
7 .wrap
    
```

This is shorter and simpler than the original, and can run twice as fast, if the delay cycles are removed, since the hardware refills the OSR "for free". Note that the program does not determine the total number of bits to be shifted before the next pull; the hardware automatically pulls once the programmable threshold, SHIFCTRL_PULL_THRESH, is reached, so the same program could also shift out e.g. 16 or 32 bits from each FIFO word.

Finally, note that the above program is not exactly the same as the original, since it stalls with the clock output low, rather than high. We can change the location of the stall, using the PULL IFEMPTY instruction, which uses the same configurable threshold as autopull:

```

1 .program somewhat_manual_pull
2 .side_set 1
3
4 .wrap_target
5   out pins, 1   side 0   [1]
6   pull ifempty side 1   [1]
7 .wrap
    
```

Below is a complete example (PIO program, plus a C program to load and run it) which illustrates autopull and autopush both enabled on the same state machine. It programs state machine 0 to loopback data from the TX FIFO to the RX FIFO, with a throughput of one word per two clocks. It also demonstrates how the state machine will stall if it tries to OUT when both the OSR and TX FIFO are empty.

```

1 .program auto_push_pull
2
3 .wrap_target
4   out x, 32
5   in x, 32
6 .wrap

```

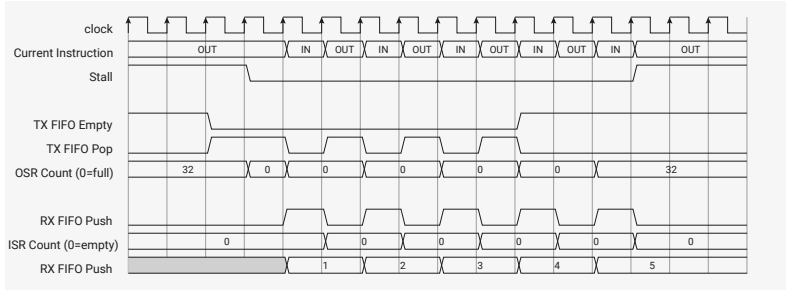
```

1 #include "tb.h" // TODO this is built against existing sw tree, so that we get printf etc
2
3 #include "platform.h"
4 #include "pio_regs.h"
5 #include "system.h"
6 #include "hardware.h"
7
8 #include "auto_push_pull.pio.h"
9
10 int main()
11 {
12     tb_init();
13
14     // Load program and configure state machine 0 for autopush/pull with
15     // threshold of 32, and wrapping on program boundary. A threshold of 32 is
16     // encoded by a register value of 00000.
17     for (int i = 0; i < count_of(auto_push_pull_program); ++i)
18         mm_pio->instr_mem[i] = auto_push_pull_program[i];
19     mm_pio->sm[0].shiftctrl =
20         (1u << PIO_SM0_SHIFTCTRL_AUTOPUSH_LSB) |
21         (1u << PIO_SM0_SHIFTCTRL_AUTOPULL_LSB) |
22         (0u << PIO_SM0_SHIFTCTRL_PUSH_THRESH_LSB) |
23         (0u << PIO_SM0_SHIFTCTRL_PULL_THRESH_LSB);
24     mm_pio->sm[0].execctrl =
25         (auto_push_pull_wrap_target << PIO_SM0_EXECCTRL_WRAP_BOTTOM_LSB) |
26         (auto_push_pull_wrap << PIO_SM0_EXECCTRL_WRAP_TOP_LSB);
27
28     // Start state machine 0
29     hw_set_bits(&mm_pio->ctrl, 1u << (PIO_CTRL_SM_ENABLE_LSB + 0));
30
31     // Push data into TX FIFO, and pop from RX FIFO
32     for (int i = 0; i < 5; ++i)
33         mm_pio->txf[0] = i;
34     for (int i = 0; i < 5; ++i)
35         printf("%d\n", mm_pio->rx[0]);
36
37     return 0;
38 }

```

Figure 50 shows how the state machine executes the example program. Initially the OSR is empty, so the state machine stalls on the first **OUT** instruction. Once data is available in the TX FIFO, the state machine transfers this into the OSR. On the next cycle, the **OUT** can execute using the data in the OSR (in this case, transferring this data to the X scratch register), and the state machine simultaneously refills the OSR with fresh data from the FIFO. Since every **IN** instruction immediately fills the ISR, the ISR remains empty, and **IN** transfers data directly from scratch X to the RX FIFO.

Figure 50. Execution of auto_push_pull program. The state machine stalls on an OUT until data has travelled through the TX FIFO into the OSR. Subsequently, the OSR is refilled simultaneously with each OUT operation (due to bit count of 32), and IN data bypasses the ISR and goes straight to the RX FIFO. The state machine stalls again when the FIFO has drained, and the OSR is once again empty.



To trigger automatic push or pull at the correct time, the state machine tracks the total shift count of the ISR and OSR, using a pair of saturating 6-bit counters.

- At reset, or upon CTRL_SM_RESTART assertion, ISR shift counter is set to 0 (nothing shifted in), and OSR to 32 (nothing left to be shifted out)
- An OUT instruction increases the OSR shift counter by Bit count
- An IN instruction increases the ISR shift counter by Bit count
- A PULL instruction or autopull clears the OSR counter to 0
- A PUSH instruction or autopush clears the ISR counter to 0
- A MOV OSR, x or MOV ISR, x clears the OSR or ISR shift counter to 0, respectively
- A OUT ISR, n instruction sets the ISR shift counter to n

On any OUT or IN instruction, the state machine compares the shift counters to the values of SHIFTCTRL_PULL_THRESH and SHIFTCTRL_PUSH_THRESH to decide whether action is required. Autopull and autopush are individually enabled by the SHIFTCTRL_AUTOPULL and SHIFTCTRL_AUTOPUSH fields.

11.5.4.1. Autopush details

Pseudocode for an IN with autopush enabled:

```

1 isr = shift_in(isr, input())
2 isr count = saturate(isr count + in count)
3
4 if rx count >= threshold:
5     if rx fifo is full:
6         stall
7     else:
8         push(isr)
9         isr = 0
10        isr count = 0
    
```

The hardware performs the above steps in a single machine clock cycle, unless there is a stall.

Threshold is configurable from 1 to 32.

! IMPORTANT

Autopush must not be enabled when `SHIFTCTRL_FJOIN_RX_PUT` or `SHIFTCTRL_FJOIN_RX_GET` is set. Its operation in this state is undefined.

11.5.4.2. Autopull Details

On non-**OUT** cycles, the hardware performs the equivalent of the following pseudocode:

```

1 if MOV or PULL:
2     osr count = 0
3
4 if osr count >= threshold:
5     if tx fifo not empty:
6         osr = pull()
7         osr count = 0

```

An autopull can therefore occur at any point between two **OUT**s, depending on when the data arrives in the FIFO.

On **OUT** cycles, the sequence is a little different:

```

1 if osr count >= threshold:
2     if tx fifo not empty:
3         osr = pull()
4         osr count = 0
5     stall
6 else:
7     output(osr)
8     osr = shift(osr, out count)
9     osr count = saturate(osr count + out count)
10
11 if osr count >= threshold:
12     if tx fifo not empty:
13         osr = pull()
14         osr count = 0

```

The hardware is capable of refilling the OSR simultaneously with shifting out the last of the shift data, as these two operations can proceed in parallel. However, it cannot fill an empty OSR and **OUT** it on the same cycle, due to the long logic path this would create.

The refill is somewhat asynchronous to your program, but an **OUT** behaves as a data fence, and the state machine will never **OUT** data which you didn't write into the FIFO.

Note that a **MOV** from the OSR is undefined whilst autopull is enabled; you will read either any residual data that has not been shifted out, or a fresh word from the FIFO, depending on a race against system DMA. Likewise, a **MOV** to the OSR may overwrite data which has just been autopulled. However, data which you **MOV** into the OSR will never be overwritten, since **MOV** updates the shift counter.

If you **do** need to read the OSR contents, you should perform an explicit **PULL** of some kind. The nondeterminism described above is the cost of the hardware managing pulls automatically. When autopull is enabled, the behaviour of **PULL** is altered: it becomes a no-op if the OSR is full. This is to avoid a race condition against the system DMA. It behaves as a fence: either an autopull has already taken place, in which case the **PULL** has no effect, or the program will stall on the **PULL** until data becomes available in the FIFO.

PULL does not require similar behaviour, because autopush does not have the same nondeterminism.

11.5.5. Clock Dividers

PIO runs off the system clock, but this is too fast for many interfaces, and the number of **De**lay cycles which can be inserted is limited. Some devices, such as UART, require the signalling rate to be precisely controlled and varied, and ideally multiple state machines can be varied independently while running identical programs. Each state machine is equipped with a clock divider, for this purpose.

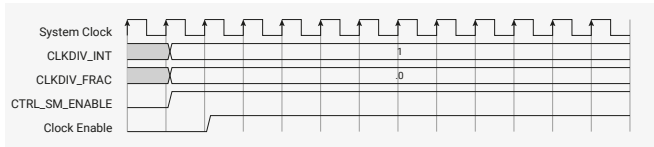
Rather than slowing the system clock itself, the clock divider redefines how many system clock periods are considered to be "one cycle", for execution purposes. It does this by generating a clock enable signal, which can pause and resume execution on a per-system-clock-cycle basis. The clock divider generates clock enable pulses at regular intervals, so that the state machine runs at some steady pace, potentially much slower than the system clock.

Implementing the clock dividers in this way allows interfacing between the state machines and the system to be simpler, lower-latency, and with a smaller footprint. The state machine is completely idle on cycles where clock enable is low, though the system can still access the state machine's FIFOs and change its configuration.

The clock dividers are 16-bit integer, 8-bit fractional, with first-order delta-sigma for the fractional divider. The clock divisor can vary between 1 and 65536, in increments of $1/256$.

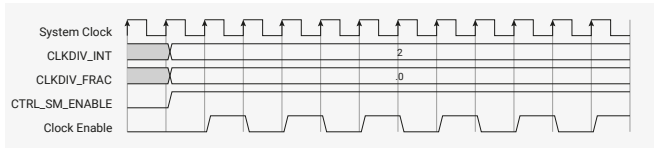
If the clock divisor is set to 1, the state machine runs on every cycle, i.e. full speed:

Figure 51. State machine operation with a clock divisor of 1. Once the state machine is enabled via the CTRL register, its clock enable is asserted on every cycle.



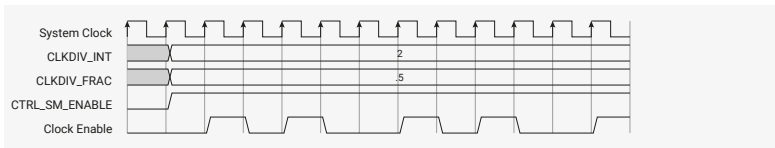
In general, an integer clock divisor of n will cause the state machine to run 1 cycle in every n , giving an effective clock speed of f_{SYS} / n .

Figure 52. Integer clock divisors yield a periodic clock enable. The clock divider repeatedly counts down from n , and emits an enable pulse when it reaches 1.



Fractional division will maintain a steady state division rate of $n + f / 256$, where n and f are the integer and fractional fields of this state machine's **CLKDIV** register. It does this by selectively extending some division periods from n cycles to $n + 1$.

Figure 53. Fractional clock division with an average divisor of 2.5. The clock divider maintains a running total of the fractional value from each division period, and every time this value wraps through 1, the integer divisor is increased by one for the next division period.



For small n , the jitter introduced by a fractional divider may be unacceptable. However, for larger values, this effect is much less apparent.

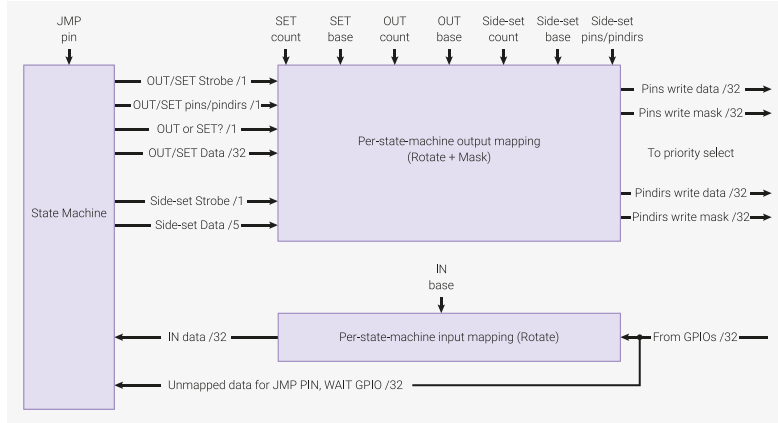
NOTE

For fast asynchronous serial, it is recommended to use even divisions or multiples of 1 Mbaud where possible, rather than the traditional multiples of 300, to avoid unnecessary jitter.

11.5.6. GPIO mapping

Internally, PIO has a 32-bit register for the output levels of each GPIO it can drive, and another register for the output enables (Hi/Lo-Z). On every system clock cycle, each state machine can write to some or all of the GPIOs in each of these registers.

Figure 54. The state machine has two independent output channels, one shared by OUT/SET, and another used by side-set (which can happen at any time). Three independent mappings (first GPIO, number of GPIOs) control which GPIOs OUT, SET and side-set are directed to. Input data is rotated according to which GPIO is mapped to the LSB of the IN data.



The write data and write masks for the output level and output enable registers come from the following sources:

- An **OUT** instruction writes to up to 32 bits. Depending on the instruction's **Destination** field, this is applied to either pins or pindirs. The least-significant bit of **OUT** data is mapped to **PINCTRL_OUT_BASE**, and this mapping continues for **PINCTRL_OUT_COUNT** bits, wrapping after GPIO31.
- A **SET** instruction writes up to 5 bits. Depending on the instruction's **Destination** field, this is applied to either pins or pindirs. The least-significant bit of **SET** data is mapped to **PINCTRL_SET_BASE**, and this mapping continues for **PINCTRL_SET_COUNT** bits, wrapping after GPIO31.
- A side-set operation writes up to 5 bits. Depending on the register field **EXECCTRL_SIDE_PINDIR**, this is applied to either pins or pindirs. The least-significant bit of side-set data is mapped to **PINCTRL_SIDESET_BASE**, continuing for **PINCTRL_SIDESET_COUNT** pins, minus one if **EXECCTRL_SIDE_EN** is set.

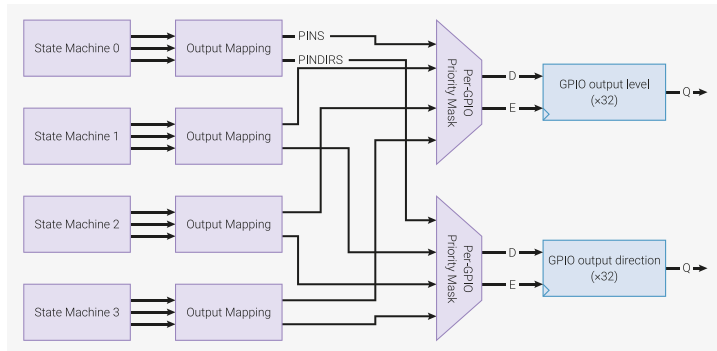
Each **OUT/SET/side-set** operation writes to a contiguous range of pins, but each of these ranges is independently sized and positioned in the 32-bit GPIO space. This is sufficiently flexible for many applications. For example, if one state machine is implementing some interface such as an SPI on a group of pins, another state machine can run the same program, mapped to a different group of pins, and provide a second SPI interface.

On any given clock cycle, the state machine may perform an **OUT** or a **SET**, and may simultaneously perform a side-set. The pin mapping logic generates a 32-bit write mask and write data bus for the output level and output enable registers, based on this request, and the pin mapping configuration.

If a side-set overlaps with an **OUT/SET** performed by that state machine on the same cycle, the side-set takes precedence in the overlapping region.

11.5.6.1. Output priority

Figure 55. Per-GPIO priority select of write masks from each state machine. Each GPIO considers level and direction writes from each of the four state machines, and applies the value from the highest-numbered state machine.



Each state machine may assert an **OUT/SET** and a side-set through its pin mapping hardware on each cycle. This generates 32 bits of write data and write mask for the GPIO output level and output enable registers, from each state machine.

For each GPIO, PIO collates the writes from all four state machines, and applies the write from the highest-numbered

state machine. This occurs separately for output levels and output values – it is possible for a state machine to change both the level and direction of the same pin on the same cycle (e.g. via simultaneous `SET` and side-set), or for one state machine to change a GPIO's direction while another changes that GPIO's level. If no state machine asserts a write to a GPIO's level or direction, the value does not change.

11.5.6.2. Input mapping

The data observed by `IN` instructions is mapped such that the LSB is the GPIO selected by `PINCTRL_IN_BASE`, and successively more-significant bits come from successively higher-numbered GPIOs, wrapping after 31.

In other words, the `IN` bus is a right-rotate of the GPIO input values, by `PINCTRL_IN_BASE`. If fewer than 32 GPIOs are present, the PIO input is padded with zeroes up to 32 bits.

Some instructions, such as `WAIT GPIO`, use an absolute GPIO number, rather than an index into the `IN` data bus. In this case, the right-rotate is not applied.

11.5.6.3. Input synchronisers

To protect PIO from metastabilities, each GPIO input is equipped with a standard 2-flipflop synchroniser. This adds two cycles of latency to input sampling, but the benefit is that state machines can perform an `IN PINS` at any point, and will see only a clean high or low level, not some intermediate value that could disturb the state machine circuitry. This is absolutely necessary for asynchronous interfaces such as UART RX.

It is possible to bypass these synchronisers, on a per-GPIO basis. This reduces input latency, but it is then up to the user to guarantee that the state machine does not sample its inputs at inappropriate times. Generally this is only possible for synchronous interfaces such as SPI. Synchronisers are bypassed by setting the corresponding bit in `INPUT_SYNC_BYPASS`.

⚠ WARNING

Sampling a metastable input can lead to unpredictable state machine behaviour. This should be avoided.

11.5.7. Forced and EXEC'd instructions

Besides the instruction memory, state machines can execute instructions from 3 other sources:

- `MOV EXEC` which executes an instruction from some register `Source`
- `OUT EXEC` which executes data shifted out from the OSR
- The `SMx_INSTR` control registers, to which the system can write instructions for immediate execution

```

1 .program exec_example
2
3 hang:
4     jmp hang
5 execute:
6     out exec, 32
7     jmp execute
8
9 .program instructions_to_push
10
11     out x, 32
12     in x, 32
13     push

```

```

1  #include "tb.h" // TODO this is built against existing sw tree, so that we get printf etc
2
3  #include "platform.h"
4  #include "pio_regs.h"
5  #include "system.h"
6  #include "hardware.h"
7
8  #include "exec_example.pio.h"
9
10 int main()
11 {
12     tb_init();
13
14     for (int i = 0; i < count_of(exec_example_program); ++i)
15         mm_pio->instr_mem[i] = exec_example_program[i];
16
17     // Enable autopull, threshold of 32
18     mm_pio->sm[0].shiftctrl = (1u << PIO_SM0_SHIFTCTRL_AUTOPULL_LSB);
19
20     // Start state machine 0 -- will sit in "hang" loop
21     hw_set_bits(&mm_pio->ctrl, 1u << (PIO_CTRL_SM_ENABLE_LSB + 0));
22
23     // Force a jump to program location 1
24     mm_pio->sm[0].instr = 0x0000 | 0x1; // jmp execute
25
26     // Feed a mixture of instructions and data into FIFO
27     mm_pio->txf[0] = instructions_to_push_program[0]; // out x, 32
28     mm_pio->txf[0] = 12345678; // data to be OUTed
29     mm_pio->txf[0] = instructions_to_push_program[1]; // in x, 32
30     mm_pio->txf[0] = instructions_to_push_program[2]; // push
31
32     // The program pushed into TX FIFO will return some data in RX FIFO
33     while (mm_pio->fstat & (1u << PIO_FSTAT_RXEMPTY_LSB))
34         ;
35
36     printf("%d\n", mm_pio->rx[0]);
37
38     return 0;
39 }

```

Here we load an example program into the state machine, which does two things:

- Enters an infinite loop
- Enters a loop which repeatedly pulls 32 bits of data from the TX FIFO, and executes the lower 16 bits as an instruction

The C program sets the state machine running, at which point it enters the **hang** loop. While the state machine is still running, the C program forces in a **jmp** instruction, which causes the state machine to break out of the loop.

When an instruction is written to the **INSTR** register, the state machine immediately decodes and executes that instruction, rather than the instruction it would have fetched from the PIO's instruction memory. The program counter does not advance, so on the next cycle (assuming the instruction forced into the **INSTR** interface did not stall) the state machine continues to execute its current program from the point where it left off, unless the written instruction itself manipulated **PC**.

Delay cycles are ignored on instructions written to the **INSTR** register, and execute immediately, ignoring the state machine clock divider. This interface is provided for performing initial setup and effecting control flow changes, so it executes instructions in a timely manner, no matter how the state machine is configured.

Instructions written to the **INSTR** register are permitted to stall, in which case the state machine will latch this instruction internally until it completes. This is signified by the **EXECCTRL_EXEC_STALLED** flag. This can be cleared by restarting the state

machine, or writing a `NOP` to `INSTR`.

In the second phase of the example state machine program, the `OUT EXEC` instruction is used. The `OUT` itself occupies one execution cycle, and the instruction which the `OUT` executes is on the next execution cycle. Note that one of the instructions we execute is also an `OUT` — the state machine is only capable of executing one `OUT` instruction on any given cycle.

`OUT EXEC` works by writing the `OUT` shift data to an internal instruction latch. On the next cycle, the state machine remembers it must execute from this latch rather than the instruction memory, and also knows to not advance `PC` on this second cycle.

This program will print "12345678" when run.

CAUTION

If an instruction written to `INSTR` stalls, it is stored in the same instruction latch used by `OUT EXEC` and `MOV EXEC`, and will overwrite an in-progress instruction there. If `EXEC` instructions are used, instructions written to `INSTR` must not stall.

11.6. Examples

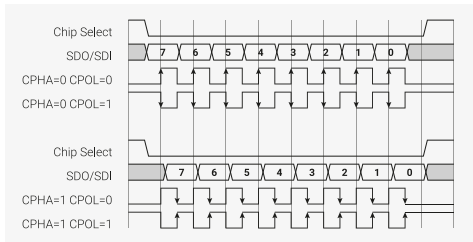
These examples illustrate some of PIO's hardware features, by implementing common I/O interfaces.

TIP

[Raspberry Pi Pico-series C/C++ SDK](#) has a comprehensive PIO chapter that begins with writing and building your first PIO application. Later chapters walk through some programs line-by-line. Finally, it covers broader topics such as using PIO with DMA, and how PIO can integrate into your software.

11.6.1. Duplex SPI

Figure 56. In SPI, a host and device exchange data over a bidirectional pair of serial data lines, synchronous with a clock (SCK). Two flags, CPOL and CPHA, specify the clock's behaviour. CPOL is the idle state of the clock: 0 for low, 1 for high. The clock pulses a number of times, transferring one bit in each direction per pulse, but always returns to its idle state. CPHA determines on which edge of the clock data is captured: 0 for leading edge, and 1 for trailing edge. The arrows in the figure show the clock edge where data is captured by both the host and device.



SPI is a common serial interface with a twisty history. The following program implements full-duplex (i.e. transferring data in both directions simultaneously) SPI, with a CPHA parameter of 0.

Pico Examples: <https://github.com/raspberrypi/pico-examples/blob/master/pio/spi/spi.pio> Lines 14 - 32

```

14 .program spi_cpha0
15 .side_set 1
16
17 ; Pin assignments:
18 ; - SCK is side-set pin 0
19 ; - MOSI is OUT pin 0
20 ; - MISO is IN pin 0
21 ;
22 ; Autopush and autopull must be enabled, and the serial frame size is set by
23 ; configuring the push/pull threshold. Shift left/right is fine, but you must
24 ; justify the data yourself. This is done most conveniently for frame sizes of
25 ; 8 or 16 bits by using the narrow store replication and narrow load byte
26 ; picking behaviour of RP2040's IO fabric.
27
28 ; Clock phase = 0: data is captured on the leading edge of each SCK pulse, and
29 ; transitions on the trailing edge, or some time before the first leading edge.
30
31     out pins, 1 side 0 [1] ; Stall here on empty (sideset proceeds even if
32     in pins, 1 side 1 [1] ; instruction stalls, so we stall with SCK low)

```

This code uses autopush and autopull to continuously stream data from the FIFOs. The entire program runs once for every bit that is transferred, and then loops. The state machine tracks how many bits have been shifted in/out, and automatically pushes/pulls the FIFOs at the correct point. A similar program handles the CPHA=1 case:

Pico Examples: <https://github.com/raspberrypi/pico-examples/blob/master/pio/spi/spi.pio> Lines 34 - 42

```

34 .program spi_cpha1
35 .side_set 1
36
37 ; Clock phase = 1: data transitions on the leading edge of each SCK pulse, and
38 ; is captured on the trailing edge.
39
40     out x, 1 side 0 ; Stall here on empty (keep SCK deasserted)
41     mov pins, x side 1 [1] ; Output data, assert SCK (mov pins uses OUT mapping)
42     in pins, 1 side 0 ; Input data, deassert SCK

```

i NOTE

These programs do not control the chip select line; chip select is often implemented as a software-controlled GPIO, due to wildly different behaviour between different SPI hardware. The full `spi.pio` source linked above contains some examples how PIO can implement a hardware chip select line.

A C helper function configures the state machine, connects the GPIOs, and sets the state machine running. Note that the SPI frame size – that is, the number of bits transferred for each FIFO record – can be programmed to any value from 1 to 32, without modifying the program. Once configured, the state machine is set running.

Pico Examples: <https://github.com/raspberrypi/pico-examples/blob/master/pio/spi/spi.pio> Lines 46 - 72

```

46 static inline void pio_spi_init(PIO pio, uint sm, uint prog_offs, uint n_bits,
47     float clkdiv, bool cpha, bool cpol, uint pin_sck, uint pin_mosi, uint pin_miso) {
48     pio_sm_config c = cpha ? spi_cpha1_program_get_default_config(prog_offs) :
49     spi_cpha0_program_get_default_config(prog_offs);
50     sm_config_set_out_pins(&c, pin_mosi, 1);
51     sm_config_set_in_pins(&c, pin_miso);
52     sm_config_set_sideset_pins(&c, pin_sck);
53     // Only support MSB-first in this example code (shift to left, auto push/pull,
54     // threshold=nbits)
55     sm_config_set_out_shift(&c, false, true, n_bits);
56     sm_config_set_in_shift(&c, false, true, n_bits);
57     sm_config_set_clkdiv(&c, clkdiv);
58     // MOSI, SCK output are low, MISO is input
59     pio_sm_set_pins_with_mask(pio, sm, 0, (1u << pin_sck) | (1u << pin_mosi));
60     pio_sm_set_pindirs_with_mask(pio, sm, (1u << pin_sck) | (1u << pin_mosi), (1u << pin_sck)
61     | (1u << pin_mosi) | (1u << pin_miso));
62     pio_gpio_init(pio, pin_mosi);
63     pio_gpio_init(pio, pin_miso);
64     pio_gpio_init(pio, pin_sck);
65     // The pin muxes can be configured to invert the output (among other things
66     // and this is a cheesy way to get CPOL=1
67     gpio_set_outover(pin_sck, cpol ? GPIO_OVERRIDE_INVERT : GPIO_OVERRIDE_NORMAL);
68     // SPI is synchronous, so bypass input synchroniser to reduce input delay.
69     hw_set_bits(&pio->input_sync_bypass, 1u << pin_miso);
70     pio_sm_init(pio, sm, prog_offs, &c);
71     pio_sm_set_enabled(pio, sm, true);
72 }

```

The state machine will now immediately begin to shift out any data appearing in the TX FIFO, and push received data into the RX FIFO.

Pico Examples: https://github.com/raspberrypi/pico-examples/blob/master/pio/spi/pio_spi.c Lines 18 - 34

```

18 void __time_critical_func(pio_spi_write8_blocking)(const pio_spi_inst_t *spi, const uint8_t
19     *src, size_t len) {
20     size_t tx_remain = len, rx_remain = len;
21     // Do 8 bit accesses on FIFO, so that write data is byte-replicated. This
22     // gets us the left-justification for free (for MSB-first shift-out)
23     io_rw_8 *txfifo = (io_rw_8 *) &spi->pio->txf[spi->sm];
24     io_rw_8 *rxfifo = (io_rw_8 *) &spi->pio->rxr[spi->sm];
25     while (tx_remain || rx_remain) {
26         if (tx_remain && !pio_sm_is_tx_fifo_full(spi->pio, spi->sm)) {
27             *txfifo = *src++;
28             --tx_remain;
29         }
30     }

```

```

29     if (rx_remain && !pio_sm_is_rx_fifo_empty(spi->pio, spi->sm)) {
30         (void) *rxfifo;
31         --rx_remain;
32     }
33 }
34 }

```

Putting this all together, this complete C program will loop back some data through a PIO SPI at 1 MHz, with all four CPOL/CPHA combinations:

Pico Examples: https://github.com/raspberrypi/pico-examples/blob/master/pio/spi/spi_loopback.c

```

1  /**
2  * Copyright (c) 2020 Raspberry Pi (Trading) Ltd.
3  *
4  * SPDX-License-Identifier: BSD-3-Clause
5  */
6
7  #include <stdlib.h>
8  #include <stdio.h>
9
10 #include "pico/stdlib.h"
11 #include "pio_spi.h"
12
13 // This program instantiates a PIO SPI with each of the four possible
14 // CPOL/CPHA combinations, with the serial input and output pin mapped to the
15 // same GPIO. Any data written into the state machine's TX FIFO should then be
16 // serialised, deserialised, and reappear in the state machine's RX FIFO.
17
18 #define PIN_SCK 18
19 #define PIN_MOSI 16
20 #define PIN_MISO 16 // same as MOSI, so we get loopback
21
22 #define BUF_SIZE 20
23
24 void test(const pio_spi_inst_t *spi) {
25     static uint8_t txbuf[BUF_SIZE];
26     static uint8_t rxbuf[BUF_SIZE];
27     printf("TX:");
28     for (int i = 0; i < BUF_SIZE; ++i) {
29         txbuf[i] = rand() >> 16;
30         rxbuf[i] = 0;
31         printf(" %02x", (int) txbuf[i]);
32     }
33     printf("\n");
34
35     pio_spi_write8_read8_blocking(spi, txbuf, rxbuf, BUF_SIZE);
36
37     printf("RX:");
38     bool mismatch = false;
39     for (int i = 0; i < BUF_SIZE; ++i) {
40         printf(" %02x", (int) rxbuf[i]);
41         mismatch = mismatch || rxbuf[i] != txbuf[i];
42     }
43     if (mismatch)
44         printf("\nNope\n");
45     else
46         printf("\nOK\n");
47 }
48
49 int main() {
50     stdio_init_all();

```

```

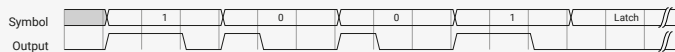
51
52     pio_spi_inst_t spi = {
53         .pio = pio0,
54         .sm = 0
55     };
56     float clkdiv = 31.25f; // 1 MHz @ 125 clk_sys
57     uint cpha0_prog_offs = pio_add_program(spi.pio, &spi_cpha0_program);
58     uint cpha1_prog_offs = pio_add_program(spi.pio, &spi_cpha1_program);
59
60     for (int cpha = 0; cpha <= 1; ++cpha) {
61         for (int cpol = 0; cpol <= 1; ++cpol) {
62             printf("CPHA = %d, CPOL = %d\n", cpha, cpol);
63             pio_spi_init(spi.pio, spi.sm,
64                         cpha ? cpha1_prog_offs : cpha0_prog_offs,
65                         8, // 8 bits per SPI frame
66                         clkdiv,
67                         cpha,
68                         cpol,
69                         PIN_SCK,
70                         PIN_MOSI,
71                         PIN_MISO
72             );
73             test(&spi);
74             sleep_ms(10);
75         }
76     }
77 }

```

11.6.2. WS2812 LEDs

WS2812 LEDs are driven by a proprietary pulse-width serial format, with a wide positive pulse representing a "1" bit, and narrow positive pulse a "0". Each LED has a serial input and a serial output; LEDs are connected in a chain, with each serial input connected to the previous LED's serial output.

Figure 57. WS2812 line format. Wide positive pulse for 1, narrow positive pulse for 0, very long negative pulse for latch enable



LEDs consume 24 bits of pixel data, then pass any additional input data on to their output. In this way a single serial burst can individually program the colour of each LED in a chain. A long negative pulse latches the pixel data into the LEDs.

Pico Examples: <https://github.com/raspberrypi/pico-examples/blob/master/pio/ws2812/ws2812.pio> Lines 8 - 31

```

8 .program ws2812
9 .side_set 1
10
11 ; The following constants are selected for broad compatibility with WS2812,
12 ; WS2812B, and SK6812 LEDs. Other constants may support higher bandwidths for
13 ; specific LEDs, such as (7,10,8) for WS2812B LEDs.
14
15 .define public T1 3
16 .define public T2 3
17 .define public T3 4
18
19 .lang_opt python sideset_init = pico.PIO.OUT_HIGH
20 .lang_opt python out_init     = pico.PIO.OUT_HIGH
21 .lang_opt python out_shiftdir = 1
22
23 .wrap_target

```



```

24 bitloop:
25     out x, 1          side 0 [T3 - 1] ; Side-set still takes place when instruction stalls
26     jmp !x do_zero side 1 [T1 - 1] ; Branch on the bit we shifted out. Positive pulse
27 do_one:
28     jmp bitloop     side 1 [T2 - 1] ; Continue driving high, for a long pulse
29 do_zero:
30     nop             side 0 [T2 - 1] ; Or drive low, for a short pulse
31 .wrap

```

This program shifts bits from the OSR into X, and produces a wide or narrow pulse on side-set pin 0, based on the value of each data bit. Autopull must be configured, with a threshold of 24. Software can then write 24-bit pixel values into the FIFO, and these will be serialised to a chain of WS2812 LEDs. The `.pio` file contains a C helper function to set this up:

Pico Examples: <https://github.com/raspberrypi/pico-examples/blob/master/pio/ws2812/ws2812.pio> Lines 36 - 52

```

36 static inline void ws2812_program_init(PIO pio, uint sm, uint offset, uint pin, float freq,
    bool rgbw) {
37
38     pio_gpio_init(pio, pin);
39     pio_sm_set_consecutive_pindirs(pio, sm, pin, 1, true);
40
41     pio_sm_config c = ws2812_program_get_default_config(offset);
42     sm_config_set_sideset_pins(&c, pin);
43     sm_config_set_out_shift(&c, false, true, rgbw ? 32 : 24);
44     sm_config_set_fifo_join(&c, PIO_FIFO_JOIN_TX);
45
46     int cycles_per_bit = ws2812_T1 + ws2812_T2 + ws2812_T3;
47     float div = clock_get_hz(clk_sys) / (freq * cycles_per_bit);
48     sm_config_set_clkdiv(&c, div);
49
50     pio_sm_init(pio, sm, offset, &c);
51     pio_sm_set_enabled(pio, sm, true);
52 }

```

Because the shift is MSB-first, and our pixels aren't a power of two size (so we can't rely on the narrow write replication behaviour on RP2350 to fan out the bits for us), we need to preshift the values written to the TX FIFO.

Pico Examples: <https://github.com/raspberrypi/pico-examples/blob/master/pio/ws2812/ws2812.c> Lines 43 - 45

```

43 static inline void put_pixel(PIO pio, uint sm, uint32_t pixel_grb) {
44     pio_sm_put_blocking(pio, sm, pixel_grb << 8u);
45 }

```

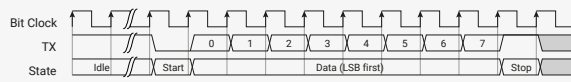
To DMA the pixels, we could instead set the autopull threshold to 8 bits, set the DMA transfer size to 8 bits, and write a byte at a time into the FIFO. Each pixel would be 3 one-byte transfers. Because of how the bus fabric and DMA on RP2350 work, each byte the DMA transfers will appear replicated four times when written to a 32-bit IO register, so effectively your data is at *both ends* of the shift register, and you can shift in either direction without worry.

TIP

The WS2812 example is the subject of a tutorial in the [Raspberry Pi Pico-series C/C++ SDK](#) document, in the PIO chapter. The tutorial dissects the `ws2812` program line by line, traces through how the program executes, and shows wave diagrams of the GPIO output at every point in the program.

11.6.3. UART TX

Figure 58. UART serial format. The line is high when idle. The transmitter pulls the line down for one bit period to signify the start of a serial frame (the "start bit"), and a small, fixed number of data bits follows. The line returns to the idle state for at least one bit period (the "stop bit") before the next serial frame can begin.



This program implements the transmit component of a universal asynchronous receive/transmit (UART) serial peripheral. Perhaps it would be more correct to refer to this as a UAT.

Pico Examples: https://github.com/raspberrypi/pico-examples/blob/master/pio/uart_tx/uart_tx.pio Lines 8 - 18

```

8 .program uart_tx
9 .side_set 1 opt
10
11 ; An 8n1 UART transmit program.
12 ; OUT pin 0 and side-set pin 0 are both mapped to UART TX pin.
13
14     pull        side 1 [7] ; Assert stop bit, or stall with line in idle state
15     set x, 7    side 0 [7] ; Preload bit counter, assert start bit for 8 clocks
16 bitloop:
17     out pins, 1 ; Shift 1 bit from OSR to the first OUT pin
18     jmp x-- bitloop [6] ; Each loop iteration is 8 cycles.
```

As written, it will:

1. Stall with the pin driven high until data appears (noting that side-set takes effect even when the state machine is stalled)
2. Assert a start bit, for 8 SM execution cycles
3. Shift out 8 data bits, each lasting for 8 cycles
4. Return to the idle line state for at least 8 cycles before asserting the next start bit

If the state machine's clock divider is configured to run at 8 times the desired baud rate, this program will transmit well-formed UART serial frames, whenever data is pushed to the TX FIFO either by software or the system DMA. To extend the program to cover different frame sizes (different numbers of data bits), the `set x, 7` could be replaced with `mov x, y`, so that the `y` scratch register becomes a per-SM configuration register for UART frame size.

The `.pio` file in the SDK also contains this function, for configuring the pins and the state machine, once the program has been loaded into the PIO instruction memory:

Pico Examples: https://github.com/raspberrypi/pico-examples/blob/master/pio/uart_tx/uart_tx.pio Lines 24 - 51

```

24 static inline void uart_tx_program_init(PIO pio, uint sm, uint offset, uint pin_tx, uint
    baud) {
25     // Tell PIO to initially drive output-high on the selected pin, then map PIO
26     // onto that pin with the IO muxes.
27     pio_sm_set_pins_with_mask64(pio, sm, 1ull << pin_tx, 1ull << pin_tx);
28     pio_sm_set_pindirs_with_mask64(pio, sm, 1ull << pin_tx, 1ull << pin_tx);
29     pio_gpio_init(pio, pin_tx);
30
31     pio_sm_config c = uart_tx_program_get_default_config(offset);
```

```

32
33 // OUT shifts to right, no autopull
34 sm_config_set_out_shift(&c, true, false, 32);
35
36 // We are mapping both OUT and side-set to the same pin, because sometimes
37 // we need to assert user data onto the pin (with OUT) and sometimes
38 // assert constant values (start/stop bit)
39 sm_config_set_out_pins(&c, pin_tx, 1);
40 sm_config_set_sideset_pins(&c, pin_tx);
41
42 // We only need TX, so get an 8-deep FIFO!
43 sm_config_set_fifo_join(&c, PIO_FIFO_JOIN_TX);
44
45 // SM transmits 1 bit per 8 execution cycles.
46 float div = (float)clock_get_hz(clk_sys) / (8 * baud);
47 sm_config_set_clkdiv(&c, div);
48
49 pio_sm_init(pio, sm, offset, &c);
50 pio_sm_set_enabled(pio, sm, true);
51 }

```

The state machine is configured to shift right in `out` instructions, because UARTs typically send data LSB-first. Once configured, the state machine will print any characters pushed to the TX FIFO.

Pico Examples: https://github.com/raspberrypi/pico-examples/blob/master/pio/uart_tx/uart_tx.pio Lines 53 - 55

```

53 static inline void uart_tx_program_putc(PIO pio, uint sm, char c) {
54     pio_sm_put_blocking(pio, sm, (uint32_t)c);
55 }

```

Pico Examples: https://github.com/raspberrypi/pico-examples/blob/master/pio/uart_tx/uart_tx.pio Lines 57 - 60

```

57 static inline void uart_tx_program_puts(PIO pio, uint sm, const char *s) {
58     while (*s)
59         uart_tx_program_putc(pio, sm, *s++);
60 }

```

The example program in the SDK will configure one PIO state machine as a UART TX peripheral, and use it to print a message on GPIO 0 at 115200 baud once per second.

Pico Examples: https://github.com/raspberrypi/pico-examples/blob/master/pio/uart_tx/uart_tx.c

```

1 /**
2  * Copyright (c) 2020 Raspberry Pi (Trading) Ltd.
3  *
4  * SPDX-License-Identifier: BSD-3-Clause
5  */
6
7 #include "pico/stdlib.h"
8 #include "hardware/pio.h"
9 #include "uart_tx.pio.h"
10
11 // We're going to use PIO to print "Hello, world!" on the same GPIO which we
12 // normally attach UART0 to.
13 #define PIO_TX_PIN 0
14
15 // Check the pin is compatible with the platform
16 #error Attempting to use a pin >= 32 on a platform that does not support it

```

```

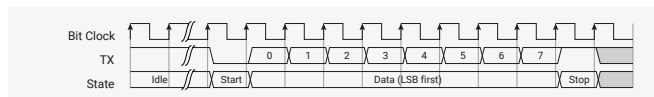
17
18 int main() {
19     // This is the same as the default UART baud rate on Pico
20     const uint SERIAL_BAUD = 115200;
21
22     PIO pio;
23     uint sm;
24     uint offset;
25
26     // This will find a free pio and state machine for our program and load it for us
27     // We use pio_claim_free_sm_and_add_program_for_gpio_range (for_gpio_range variant)
28     // so we will get a PIO instance suitable for addressing gpios >= 32 if needed and
    supported by the hardware
29     bool success = pio_claim_free_sm_and_add_program_for_gpio_range(&uart_tx_program, &pio,
    &sm, &offset, PIO_TX_PIN, 1, true);
30     hard_assert(success);
31
32     uart_tx_program_init(pio, sm, offset, PIO_TX_PIN, SERIAL_BAUD);
33
34     while (true) {
35         uart_tx_program_puts(pio, sm, "Hello, world! (from PIO!)\r\n");
36         sleep_ms(1000);
37     }
38
39     // This will free resources and unload our program
40     pio_remove_program_and_unclaim_sm(&uart_tx_program, pio, sm, offset);
41 }

```

With the two PIO instances on RP2350, this could be extended to 8 additional UART TX interfaces, on 8 different pins, with 8 different baud rates.

11.6.4. UART RX

Recalling [Figure 58](#) showing the format of an 8n1 UART:



We can recover the data by waiting for the start bit, sampling 8 times with the correct timing, and pushing the result to the RX FIFO. Below is possibly the shortest program which can do this:

Pico Examples: https://github.com/raspberrypi/pico-examples/blob/master/pio/uart_rx/uart_rx.pio Lines 8 - 19

```

8 .program uart_rx_mini
9
10 ; Minimum viable 8n1 UART receiver. Wait for the start bit, then sample 8 bits
11 ; with the correct timing.
12 ; IN pin 0 is mapped to the GPIO used as UART RX.
13 ; Autopush must be enabled, with a threshold of 8.
14
15     wait 0 pin 0           ; Wait for start bit
16     set x, 7 [10]         ; Preload bit counter, delay until eye of first data bit
17 bitloop:                 ; Loop 8 times
18     in pins, 1           ; Sample data
19     jmp x-- bitloop [6] ; Each iteration is 8 cycles

```

This works, but it has some annoying characteristics, like repeatedly outputting `NUL` characters if the line is stuck low.

Ideally, we would want to drop data that is not correctly framed by a start and stop bit (and set some sticky flag to indicate this has happened), and pause receiving when the line is stuck low for long periods. We can add these to our program, at the cost of a few more instructions.

Pico Examples: https://github.com/raspberrypi/pico-examples/blob/master/pio/uart_rx/uart_rx.pio Lines 44 - 63

```

44 .program uart_rx
45
46 ; Slightly more fleshed-out 8n1 UART receiver which handles framing errors and
47 ; break conditions more gracefully.
48 ; IN pin 0 and JMP pin are both mapped to the GPIO used as UART RX.
49
50 start:
51     wait 0 pin 0          ; Stall until start bit is asserted
52     set x, 7 [10]        ; Preload bit counter, then delay until halfway through
53 bitloop:                ; the first data bit (12 cycles incl wait, set).
54     in pins, 1          ; Shift data bit into ISR
55     jmp x-- bitloop [6] ; Loop 8 times, each loop iteration is 8 cycles
56     jmp pin good_stop   ; Check stop bit (should be high)
57
58     irq 4 rel           ; Either a framing error or a break. Set a sticky flag,
59     wait 1 pin 0        ; and wait for line to return to idle state.
60     jmp start           ; Don't push data if we didn't see good framing.
61
62 good_stop:              ; No delay before returning to start; a little slack is
63     push                ; important in case the TX clock is slightly too fast.

```

The second example does not use autopush (Section 11.5.4), preferring instead to use an explicit `push` instruction, so that it can condition the push on whether a correct stop bit is seen. The `.pio` file includes a helper function which configures the state machine and connects it to a GPIO with the pull-up enabled:

Pico Examples: https://github.com/raspberrypi/pico-examples/blob/master/pio/uart_rx/uart_rx.pio Lines 67 - 85

```

67 static inline void uart_rx_program_init(PIO pio, uint sm, uint offset, uint pin, uint baud) {
68     pio_sm_set_consecutive_pindirs(pio, sm, pin, 1, false);
69     pio_gpio_init(pio, pin);
70     gpio_pull_up(pin);
71
72     pio_sm_config c = uart_rx_program_get_default_config(offset);
73     sm_config_set_in_pins(&c, pin); // for WAIT, IN
74     sm_config_set_jmp_pin(&c, pin); // for JMP
75     // Shift to right, autopush disabled
76     sm_config_set_in_shift(&c, true, false, 32);
77     // Deeper FIFO as we're not doing any TX
78     sm_config_set_fifo_join(&c, PIO_FIFO_JOIN_RX);
79     // SM transmits 1 bit per 8 execution cycles.
80     float div = (float)clock_get_hz(clk_sys) / (8 * baud);
81     sm_config_set_clkdiv(&c, div);
82
83     pio_sm_init(pio, sm, offset, &c);
84     pio_sm_set_enabled(pio, sm, true);
85 }

```

To correctly receive data which is sent LSB-first, the ISR is configured to shift to the right. After shifting in 8 bits, this unfortunately leaves our 8 data bits in bits 31:24 of the ISR, with 24 zeroes in the LSBs. One option here is an `in null, 24` instruction to shuffle the ISR contents down to 7:0. Another is to read from the FIFO at an offset of 3 bytes, with an 8-bit read, so that the processor's bus hardware (or the DMA's) picks out the relevant byte for free:

Pico Examples: https://github.com/raspberrypi/pico-examples/blob/master/pio/uart_rx/uart_rx.pio Lines 87 - 93

```

87 static inline char uart_rx_program_getc(PIO pio, uint sm) {
88     // 8-bit read from the uppermost byte of the FIFO, as data is left-justified
89     io_rw_8 *rxfifo_shift = (io_rw_8*)&pio->rxfr[sm] + 3;
90     while (pio_sm_is_rx_fifo_empty(pio, sm))
91         tight_loop_contents();
92     return (char)*rxfifo_shift;
93 }

```

An example program shows how this UART RX program can be used to receive characters sent by one of the hardware UARTs on RP2350. A wire must be connected from GPIO4 to GPIO3 for this program to function. To make the wrangling of 3 different serial ports a little easier, this program uses core 1 to print out a string on the test UART (UART 1), and the code running on core 0 will pull out characters from the PIO state machine, and pass them along to the UART used for the debug console (UART 0). Another approach here would be interrupt-based IO, using PIO's FIFO IRQs. If the `SM0_RXNEMPTY` bit is set in the `IRQ0_INTE` register, then PIO will raise its first interrupt request line whenever there is a character in state machine 0's RX FIFO.

Pico Examples: https://github.com/raspberrypi/pico-examples/blob/master/pio/uart_rx/uart_rx.c

```

1 /**
2  * Copyright (c) 2020 Raspberry Pi (Trading) Ltd.
3  *
4  * SPDX-License-Identifier: BSD-3-Clause
5  */
6
7 #include <stdio.h>
8
9 #include "pico/stdlib.h"
10 #include "pico/multicore.h"
11 #include "hardware/pio.h"
12 #include "hardware/uart.h"
13 #include "uart_rx.pio.h"
14
15 // This program
16 // - Uses UART1 (the spare UART, by default) to transmit some text
17 // - Uses a PIO state machine to receive that text
18 // - Prints out the received text to the default console (UART0)
19 // This might require some reconfiguration on boards where UART1 is the
20 // default UART.
21
22 #define SERIAL_BAUD PICO_DEFAULT_UART_BAUD_RATE
23 #define HARD_UART_INST uart1
24
25 // You'll need a wire from GPIO4 -> GPIO3
26 #define HARD_UART_TX_PIN 4
27 #define PIO_RX_PIN 3
28
29 // Check the pin is compatible with the platform
30 #error Attempting to use a pin=>32 on a platform that does not support it
31
32 // Ask core 1 to print a string, to make things easier on core 0
33 void core1_main() {
34     const char *s = (const char *) multicore_fifo_pop_blocking();
35     uart_puts(HARD_UART_INST, s);
36 }
37
38 int main() {
39     // Console output (also a UART, yes it's confusing)
40     setup_default_uart();
41     printf("Starting PIO UART RX example\n");

```

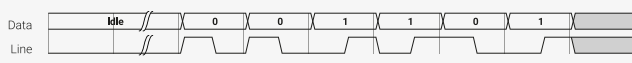
```

42
43 // Set up the hard UART we're going to use to print characters
44 uart_init(HARD_UART_INST, SERIAL_BAUD);
45 gpio_set_function(HARD_UART_TX_PIN, GPIO_FUNC_UART);
46
47 // Set up the state machine we're going to use to receive them.
48 PIO pio;
49 uint sm;
50 uint offset;
51
52 // This will find a free pio and state machine for our program and load it for us
53 // We use pio_claim_free_sm_and_add_program_for_gpio_range (for_gpio_range variant)
54 // so we will get a PIO instance suitable for addressing gpios >= 32 if needed and
  supported by the hardware
55 bool success = pio_claim_free_sm_and_add_program_for_gpio_range(&uart_rx_program, &pio,
  &sm, &offset, PIO_RX_PIN, 1, true);
56 hard_assert(success);
57
58 uart_rx_program_init(pio, sm, offset, PIO_RX_PIN, SERIAL_BAUD);
59 //uart_rx_mini_program_init(pio, sm, offset, PIO_RX_PIN, SERIAL_BAUD);
60
61 // Tell core 1 to print some text to uart1 as fast as it can
62 multicore_launch_core1(core1_main);
63 const char *text = "Hello, world from PIO! (Plus 2 UARTs and 2 cores, for complex
 reasons)\n";
64 multicore_fifo_push_blocking((uint32_t) text);
65
66 // Echo characters received from PIO to the console
67 while (true) {
68     char c = uart_rx_program_getc(pio, sm);
69     putchar(c);
70 }
71
72 // This will free resources and unload our program
73 pio_remove_program_and_unclaim_sm(&uart_rx_program, pio, sm, offset);
74 }

```

11.6.5. Manchester serial TX and RX

Figure 59. Manchester serial line code. Each data bit is represented by either a high pulse followed by a low pulse (representing a '0' bit) or a low pulse followed by a high pulse (a '1' bit).



Pico Examples: https://github.com/raspberrypi/pico-examples/blob/master/pio/manchester_encoding/manchester_encoding.pio Lines 8 - 30

```

8 .program manchester_tx
9 .side_set 1 opt
10
11 ; Transmit one bit every 12 cycles. a '0' is encoded as a high-low sequence
12 ; (each part lasting half a bit period, or 6 cycles) and a '1' is encoded as a
13 ; low-high sequence.
14 ;
15 ; Side-set bit 0 must be mapped to the GPIO used for TX.
16 ; Autopull must be enabled -- this program does not care about the threshold.
17 ; The program starts at the public label 'start'.
18
19 .wrap_target
20 do_1:
21     nop            side 0 [5] ; Low for 6 cycles (5 delay, +1 for nop)
22     jmp get_bit side 1 [3] ; High for 4 cycles. 'get_bit' takes another 2 cycles

```

```

23 do_0:
24     nop            side 1 [5] ; Output high for 6 cycles
25     nop            side 0 [3] ; Output low for 4 cycles
26 public start:
27 get_bit:
28     out x, 1        ; Always shift out one bit from OSR to X, so we can
29     jmp !x do_0     ; branch on it. Autopull refills the OSR when empty.
30 .wrap

```

Starting from the label called `start`, this program shifts one data bit at a time into the X register, so that it can branch on the value. Depending on the outcome, it uses side-set to drive either a 1-0 or 0-1 sequence onto the chosen GPIO. This program uses autopull (Section 11.5.4.2) to automatically replenish the OSR from the TX FIFO once a certain amount of data has been shifted out, without interrupting program control flow or timing. This feature is enabled by a helper function in the `.pio` file which configures and starts the state machine:

Pico Examples: https://github.com/raspberrypi/pico-examples/blob/master/pio/manchester_encoding/manchester_encoding.pio Lines 33 - 46

```

33 static inline void manchester_tx_program_init(PIO pio, uint sm, uint offset, uint pin, float
    div) {
34     pio_sm_set_pins_with_mask(pio, sm, 0, 1u << pin);
35     pio_sm_set_consecutive_pindirs(pio, sm, pin, 1, true);
36     pio_gpio_init(pio, pin);
37
38     pio_sm_config c = manchester_tx_program_get_default_config(offset);
39     sm_config_set_sideset_pins(&c, pin);
40     sm_config_set_out_shift(&c, true, true, 32);
41     sm_config_set_fifo_join(&c, PIO_FIFO_JOIN_TX);
42     sm_config_set_clkdiv(&c, div);
43     pio_sm_init(pio, sm, offset + manchester_tx_offset_start, &c);
44
45     pio_sm_set_enabled(pio, sm, true);
46 }

```

Another state machine can be programmed to recover the original data from the transmitted signal:

Pico Examples: https://github.com/raspberrypi/pico-examples/blob/master/pio/manchester_encoding/manchester_encoding.pio Lines 49 - 71

```

49 .program manchester_rx
50
51 ; Assumes line is idle low, first bit is 0
52 ; One bit is 12 cycles
53 ; a '0' is encoded as 10
54 ; a '1' is encoded as 01
55 ;
56 ; Both the IN base and the JMP pin mapping must be pointed at the GPIO used for RX.
57 ; Autopush must be enabled.
58 ; Before enabling the SM, it should be placed in a 'wait 1, pin' state, so that
59 ; it will not start sampling until the initial line idle state ends.
60
61 start_of_0:                ; We are 0.25 bits into a 0 - signal is high
62     wait 0 pin 0           ; Wait for the 1->0 transition - at this point we are 0.5 into the bit
63     in y, 1 [8]           ; Emit a 0, sleep 3/4 of a bit
64     jmp pin start_of_0    ; If signal is 1 again, it's another 0 bit, otherwise it's a 1
65
66 .wrap_target
67 start_of_1:                ; We are 0.25 bits into a 1 - signal is 1
68     wait 1 pin 0           ; Wait for the 0->1 transition - at this point we are 0.5 into the bit
69     in x, 1 [8]           ; Emit a 1, sleep 3/4 of a bit
70     jmp pin start_of_0    ; If signal is 0 again, it's another 1 bit otherwise it's a 0

```



```
71 .wrap
```

The main complication here is staying aligned to the input transitions, as the transmitter's and receiver's clocks may drift relative to one another. In Manchester code there is always a transition in the centre of the symbol, and based on the initial line state (high or low) we know the direction of this transition, so we can use a `wait` instruction to resynchronise to the line transitions on every data bit.

This program expects the X and Y registers to be initialised with the values 1 and 0 respectively, so that a constant 1 or 0 can be provided to the `in` instruction. The code that configures the state machine initialises these registers by executing some `set` instructions before setting the program running.

Pico Examples: https://github.com/raspberrypi/pico-examples/blob/master/pio/manchester_encoding/manchester_encoding.pio Lines 74 - 94

```
74 static inline void manchester_rx_program_init(PIO pio, uint sm, uint offset, uint pin, float
    div) {
75     pio_sm_set_consecutive_pindirs(pio, sm, pin, 1, false);
76     pio_gpio_init(pio, pin);
77
78     pio_sm_config c = manchester_rx_program_get_default_config(offset);
79     sm_config_set_in_pins(&c, pin); // for WAIT
80     sm_config_set_jmp_pin(&c, pin); // for JMP
81     sm_config_set_in_shift(&c, true, true, 32);
82     sm_config_set_fifo_join(&c, PIO_FIFO_JOIN_RX);
83     sm_config_set_clkdiv(&c, div);
84     pio_sm_init(pio, sm, offset, &c);
85
86     // X and Y are set to 0 and 1, to conveniently emit these to ISR/FIFO.
87     pio_sm_exec(pio, sm, pio_encode_set(pio_x, 1));
88     pio_sm_exec(pio, sm, pio_encode_set(pio_y, 0));
89     // Assume line is idle low, and first transmitted bit is 0. Put SM in a
90     // wait state before enabling. RX will begin once the first 0 symbol is
91     // detected.
92     pio_sm_exec(pio, sm, pio_encode_wait_pin(1, 0) | pio_encode_delay(2));
93     pio_sm_set_enabled(pio, sm, true);
94 }
```

The example C program in the SDK will transmit Manchester serial data from GPIO2 to GPIO3 at approximately 10 Mb/s (assuming a system clock of 125 MHz).

Pico Examples: https://github.com/raspberrypi/pico-examples/blob/master/pio/manchester_encoding/manchester_encoding.c Lines 20 - 43

```
20 int main() {
21     stdio_init_all();
22
23     PIO pio = pio0;
24     uint sm_tx = 0;
25     uint sm_rx = 1;
26
27     uint offset_tx = pio_add_program(pio, &manchester_tx_program);
28     uint offset_rx = pio_add_program(pio, &manchester_rx_program);
29     printf("Transmit program loaded at %d\n", offset_tx);
30     printf("Receive program loaded at %d\n", offset_rx);
31
32     manchester_tx_program_init(pio, sm_tx, offset_tx, pin_tx, 1.f);
33     manchester_rx_program_init(pio, sm_rx, offset_rx, pin_rx, 1.f);
34
35     pio_sm_set_enabled(pio, sm_tx, false);
36     pio_sm_put_blocking(pio, sm_tx, 0);
37     pio_sm_put_blocking(pio, sm_tx, 0xff0a55a);
38     pio_sm_put_blocking(pio, sm_tx, 0x12345678);
```

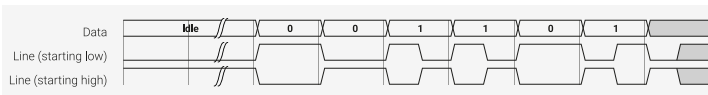
```

39   pio_sm_set_enabled(pio, sm_tx, true);
40
41   for (int i = 0; i < 3; ++i)
42       printf("%08x\n", pio_sm_get_blocking(pio, sm_rx));
43 }

```

11.6.6. Differential Manchester (BMC) TX and RX

Figure 60. Differential Manchester serial line code, also known as biphasic mark code (BMC). The line transitions at the start of every bit period. The presence of a transition in the centre of the bit period signifies a 1 data bit, and the absence, a 0 bit. These encoding rules are the same whether the line has an initial high or low state.



The transmit program is similar to the Manchester example: it repeatedly shifts a bit from the OSR into X (relying on autopull to refill the OSR in the background), branches, and drives a GPIO up and down based on the value of this bit. The added complication is that the pattern we drive onto the pin depends not just on the value of the data bit, as with vanilla Manchester encoding, but also on the state the line was left in at the end of the last bit period. This is illustrated in Figure 60, where the pattern is inverted if the line is initially high. To cope with this, there are two copies of the test-and-drive code, one for each initial line state, and these are linked together in the correct order by a sequence of jumps.

Pico Examples: https://github.com/raspberrypi/pico-examples/blob/master/pio/differential_manchester/differential_manchester.pio Lines 8 - 35

```

8 .program differential_manchester_tx
9 .side_set 1 opt
10
11 ; Transmit one bit every 16 cycles. In each bit period:
12 ; - A '0' is encoded as a transition at the start of the bit period
13 ; - A '1' is encoded as a transition at the start *and* in the middle
14 ;
15 ; Side-set bit 0 must be mapped to the data output pin.
16 ; Autopull must be enabled.
17
18 public start:
19 initial_high:
20   out x, 1 ; Start of bit period: always assert transition
21   jmp !x high_0 side 1 [6] ; Test the data bit we just shifted out of OSR
22 high_1:
23   nop
24   jmp initial_high side 0 [6] ; For `1` bits, also transition in the middle
25 high_0:
26   jmp initial_low [7] ; Otherwise, the line is stable in the middle
27
28 initial_low:
29   out x, 1 ; Always shift 1 bit from OSR to X so we can
30   jmp !x low_0 side 0 [6] ; branch on it. Autopull refills OSR for us.
31 low_1:
32   nop
33   jmp initial_low side 1 [6] ; If there are two transitions, return to
34 low_0:
35   jmp initial_high [7] ; the initial line state is flipped!

```

The `.pio` file also includes a helper function to initialise a state machine for differential Manchester TX, and connect it to a chosen GPIO. We arbitrarily choose a 32-bit frame size and LSB-first serialisation (`shift_right` is true in `sm_config_set_out_shift`), but as the program operates on one bit at a time, we could change this by reconfiguring the state machine.

Pico Examples: https://github.com/raspberrypi/pico-examples/blob/master/pio/differential_manchester/differential_manchester.pio Lines 38 - 53

```

38 static inline void differential_manchester_tx_program_init(PIO pio, uint sm, uint offset,
    uint pin, float div) {
39     pio_sm_set_pins_with_mask(pio, sm, 0, 1u << pin);
40     pio_sm_set_consecutive_pindirs(pio, sm, pin, 1, true);
41     pio_gpio_init(pio, pin);
42
43     pio_sm_config c = differential_manchester_tx_program_get_default_config(offset);
44     sm_config_set_sideset_pins(&c, pin);
45     sm_config_set_out_shift(&c, true, true, 32);
46     sm_config_set_fifo_join(&c, PIO_FIFO_JOIN_TX);
47     sm_config_set_clkdiv(&c, div);
48     pio_sm_init(pio, sm, offset + differential_manchester_tx_offset_start, &c);
49
50     // Execute a blocking pull so that we maintain the initial line state until data is
    available
51     pio_sm_exec(pio, sm, pio_encode_pull(false, true));
52     pio_sm_set_enabled(pio, sm, true);
53 }

```

The RX program uses the following strategy:

1. Wait until the initial transition at the start of the bit period, so we stay aligned to the transmit clock
2. Then, wait 3/4 of the configured bit period, so that we are centred on the second half-bit-period (see [Figure 60](#))
3. Sample the line at this point to determine whether there are one or two transitions in this bit period
4. Repeat

Pico Examples: https://github.com/raspberrypi/pico-examples/blob/master/pio/differential_manchester/differential_manchester.pio Lines 55 - 85

```

55 .program differential_manchester_rx
56
57 ; Assumes line is idle low
58 ; One bit is 16 cycles. In each bit period:
59 ; - A '0' is encoded as a transition at time 0
60 ; - A '1' is encoded as a transition at time 0 and a transition at time T/2
61 ;
62 ; The IN mapping and the JMP pin select must both be mapped to the GPIO used for
63 ; RX data. Autopush must be enabled.
64
65 public start:
66 initial_high:          ; Find rising edge at start of bit period
67     wait 1 pin, 0 [11] ; Delay to eye of second half-period (i.e 3/4 of way
68     jmp pin high_0     ; through bit) and branch on RX pin high/low.
69 high_1:
70     in x, 1           ; Second transition detected (a '1' data symbol)
71     jmp initial_high
72 high_0:
73     in y, 1 [1]      ; Line still high, no centre transition (data is '0')
74     ; Fall-through
75
76 .wrap_target
77 initial_low:          ; Find falling edge at start of bit period
78     wait 0 pin, 0 [11] ; Delay to eye of second half-period
79     jmp pin low_1
80 low_0:
81     in y, 1           ; Line still low, no centre transition (data is '0')
82     jmp initial_high
83 low_1:
84     in x, 1 [1]      ; Second transition detected (data is '1')

```

```
85 .wrap
```

This code assumes that X and Y have the values 1 and 0, respectively. This is arranged for by the included C helper function:

Pico Examples: https://github.com/raspberrypi/pico-examples/blob/master/pio/differential_manchester/differential_manchester.pio Lines 88 - 104

```
88 static inline void differential_manchester_rx_program_init(PIO pio, uint sm, uint offset,
    uint pin, float div) {
89     pio_sm_set_consecutive_pindirs(pio, sm, pin, 1, false);
90     pio_gpio_init(pio, pin);
91
92     pio_sm_config c = differential_manchester_rx_program_get_default_config(offset);
93     sm_config_set_in_pins(&c, pin); // for WAIT
94     sm_config_set_jmp_pin(&c, pin); // for JMP
95     sm_config_set_in_shift(&c, true, true, 32);
96     sm_config_set_fifo_join(&c, PIO_FIFO_JOIN_RX);
97     sm_config_set_clkdiv(&c, div);
98     pio_sm_init(pio, sm, offset, &c);
99
100     // X and Y are set to 0 and 1, to conveniently emit these to ISR/FIFO.
101     pio_sm_exec(pio, sm, pio_encode_set(pio_x, 1));
102     pio_sm_exec(pio, sm, pio_encode_set(pio_y, 0));
103     pio_sm_set_enabled(pio, sm, true);
104 }
```

All the pieces now exist to loopback some serial data over a wire between two GPIOs.

Pico Examples: https://github.com/raspberrypi/pico-examples/blob/master/pio/differential_manchester/differential_manchester.c

```
1 /**
2  * Copyright (c) 2020 Raspberry Pi (Trading) Ltd.
3  *
4  * SPDX-License-Identifier: BSD-3-Clause
5  */
6
7 #include <stdio.h>
8
9 #include "pico/stdlib.h"
10 #include "hardware/pio.h"
11 #include "differential_manchester.pio.h"
12
13 // Differential serial transmit/receive example
14 // Need to connect a wire from GPIO2 -> GPIO3
15
16 const uint pin_tx = 2;
17 const uint pin_rx = 3;
18
19 int main() {
20     stdio_init_all();
21
22     PIO pio = pio0;
23     uint sm_tx = 0;
24     uint sm_rx = 1;
25
26     uint offset_tx = pio_add_program(pio, &differential_manchester_tx_program);
27     uint offset_rx = pio_add_program(pio, &differential_manchester_rx_program);
28     printf("Transmit program loaded at %d\n", offset_tx);
29     printf("Receive program loaded at %d\n", offset_rx);
30 }
```

```

31 // Configure state machines, set bit rate at 5 Mbps
32 differential_manchester_tx_program_init(pio, sm_tx, offset_tx, pin_tx, 125.f / (16 * 5));
33 differential_manchester_rx_program_init(pio, sm_rx, offset_rx, pin_rx, 125.f / (16 * 5));
34
35 pio_sm_set_enabled(pio, sm_tx, false);
36 pio_sm_put_blocking(pio, sm_tx, 0);
37 pio_sm_put_blocking(pio, sm_tx, 0xff0a55a);
38 pio_sm_put_blocking(pio, sm_tx, 0x12345678);
39 pio_sm_set_enabled(pio, sm_tx, true);
40
41 for (int i = 0; i < 3; ++i)
42     printf("%08x\n", pio_sm_get_blocking(pio, sm_rx));
43 }

```

11.6.7. I2C

Figure 61. A 1-byte I2C read transfer. In the idle state, both lines float high. The initiator drives SDA low (a Start condition), followed by 7 address bits A6-A0, and a direction bit (Read/nWrite). The target drives SDA low to acknowledge the address (ACK). Data bytes follow. The target serialises data on SDA, clocked out by SCL. Every 9th clock, the initiator pulls SDA low to acknowledge the data, except on the last byte, where it leaves the line high (NAK). Releasing SDA whilst SCL is high is a Stop condition, returning the bus to idle.



I2C is an ubiquitous serial bus first described in the Dead Sea Scrolls, and later used by Philips Semiconductor. Two wires with pullup resistors form an open-drain bus, and multiple agents address and signal one another over this bus by driving the bus lines low, or releasing them to be pulled high. It has a number of unusual attributes:

- SCL can be held low at any time, for any duration, by any member of the bus (not necessarily the target or initiator of the transfer). This is known as clock stretching. The bus does not advance until all drivers release the clock.
- Members of the bus can be a target of one transfer and initiate other transfers (the master/slave roles are not fixed). However this is poorly supported by most I2C hardware.
- SCL is not an edge-sensitive clock, rather SDA must be valid the entire time SCL is high.
- In spite of the transparency of SDA against SCL, transitions of SDA whilst SCL is high are used to mark beginning and end of transfers (Start/Stop), or a new address phase within one (Restart).

The PIO program listed below handles serialisation, clock stretching, and checking of ACKs in the initiator role. It provides a mechanism for escaping PIO instructions in the FIFO datastream, to issue Start/Stop/Restart sequences at appropriate times. Provided no unexpected NAKs are received, this can perform long sequences of I2C transfers from a DMA buffer, without processor intervention.

Pico Examples: <https://github.com/raspberrypi/pico-examples/blob/master/pio/i2c/i2c.pio> Lines 8 - 73

```

8 .program i2c
9 .side_set 1 opt pindirs
10
11 ; TX Encoding:
12 ; | 15:10 | 9 | 8:1 | 0 |
13 ; | Instr | Final | Data | NAK |
14 ;
15 ; If Instr has a value n > 0, then this FIFO word has no
16 ; data payload, and the next n + 1 words will be executed as instructions.
17 ; Otherwise, shift out the 8 data bits, followed by the ACK bit.
18 ;
19 ; The Instr mechanism allows stop/start/restart sequences to be programmed
20 ; by the processor, and then carried out by the state machine at defined points
21 ; in the datastream.
22 ;
23 ; The "Final" field should be set for the final byte in a transfer.
24 ; This tells the state machine to ignore a NAK: if this field is not
25 ; set, then any NAK will cause the state machine to halt and interrupt.

```

```

26 ;
27 ; Autopull should be enabled, with a threshold of 16.
28 ; Autopush should be enabled, with a threshold of 8.
29 ; The TX FIFO should be accessed with halfword writes, to ensure
30 ; the data is immediately available in the OSR.
31 ;
32 ; Pin mapping:
33 ; - Input pin 0 is SDA, 1 is SCL (if clock stretching used)
34 ; - Jump pin is SDA
35 ; - Side-set pin 0 is SCL
36 ; - Set pin 0 is SDA
37 ; - OUT pin 0 is SDA
38 ; - SCL must be SDA + 1 (for wait mapping)
39 ;
40 ; The OE outputs should be inverted in the system IO controls!
41 ; (It's possible for the inversion to be done in this program,
42 ; but costs 2 instructions: 1 for inversion, and one to cope
43 ; with the side effect of the MOV on TX shift counter.)
44
45 do_nack:
46     jmp y-- entry_point      ; Continue if NAK was expected
47     irq wait 0 rel          ; Otherwise stop, ask for help
48
49 do_byte:
50     set x, 7                ; Loop 8 times
51 bitloop:
52     out pindirs, 1          [7] ; Serialise write data (all-ones if reading)
53     nop                    side 1 [2] ; SCL rising edge
54     wait 1 pin, 1          [4] ; Allow clock to be stretched
55     in pins, 1             [7] ; Sample read data in middle of SCL pulse
56     jmp x-- bitloop side 0 [7] ; SCL falling edge
57
58     ; Handle ACK pulse
59     out pindirs, 1          [7] ; On reads, we provide the ACK.
60     nop                    side 1 [7] ; SCL rising edge
61     wait 1 pin, 1          [7] ; Allow clock to be stretched
62     jmp pin do_nack side 0 [2] ; Test SDA for ACK/NAK, fall through if ACK
63
64 public entry_point:
65 .wrap_target
66     out x, 6                ; Unpack Instr count
67     out y, 1                ; Unpack the NAK ignore bit
68     jmp !x do_byte          ; Instr == 0, this is a data record.
69     out null, 32           ; Instr > 0, remainder of this OSR is invalid
70 do_exec:
71     out exec, 16           ; Execute one instruction per FIFO word
72     jmp x-- do_exec        ; Repeat n + 1 times
73 .wrap

```

The IO mapping required by the I2C program is quite complex, due to the different ways that the two serial lines must be driven and sampled. One interesting feature is that state machine must drive the output enable high when the output is low, since the bus is open-drain, so the sense of the data is inverted. This could be handled in the PIO program (e.g. `mov osr, ~osr`), but instead we can use the IO controls on RP2350 to perform this inversion in the GPIO muxes, saving an instruction.

Pico Examples: <https://github.com/raspberrypi/pico-examples/blob/master/pio/i2c/i2c.pio> Lines 81 - 121

```

81 static inline void i2c_program_init(PIO pio, uint sm, uint offset, uint pin_sda, uint
    pin_scl) {
82     assert(pin_scl == pin_sda + 1);
83     pio_sm_config c = i2c_program_get_default_config(offset);

```

```

84
85 // IO mapping
86 sm_config_set_out_pins(&c, pin_sda, 1);
87 sm_config_set_set_pins(&c, pin_sda, 1);
88 sm_config_set_in_pins(&c, pin_sda);
89 sm_config_set_sideset_pins(&c, pin_scl);
90 sm_config_set_jmp_pin(&c, pin_sda);
91
92 sm_config_set_out_shift(&c, false, true, 16);
93 sm_config_set_in_shift(&c, false, true, 8);
94
95 float div = (float)clock_get_hz(clk_sys) / (32 * 100000);
96 sm_config_set_clkdiv(&c, div);
97
98 // Try to avoid glitching the bus while connecting the IOs. Get things set
99 // up so that pin is driven down when PIO asserts OE low, and pulled up
100 // otherwise.
101 gpio_pull_up(pin_scl);
102 gpio_pull_up(pin_sda);
103 uint32_t both_pins = (1u << pin_sda) | (1u << pin_scl);
104 pio_sm_set_pins_with_mask(pio, sm, both_pins, both_pins);
105 pio_sm_set_pindirs_with_mask(pio, sm, both_pins, both_pins);
106 pio_gpio_init(pio, pin_sda);
107 gpio_set_oeover(pin_sda, GPIO_OVERRIDE_INVERT);
108 pio_gpio_init(pio, pin_scl);
109 gpio_set_oeover(pin_scl, GPIO_OVERRIDE_INVERT);
110 pio_sm_set_pins_with_mask(pio, sm, 0, both_pins);
111
112 // Clear IRQ flag before starting, and make sure flag doesn't actually
113 // assert a system-level interrupt (we're using it as a status flag)
114 pio_set_irq0_source_enabled(pio, (enum pio_interrupt_source) ((uint) pis_interrupt0 +
    sm), false);
115 pio_set_irq1_source_enabled(pio, (enum pio_interrupt_source) ((uint) pis_interrupt0 +
    sm), false);
116 pio_interrupt_clear(pio, sm);
117
118 // Configure and start SM
119 pio_sm_init(pio, sm, offset + i2c_offset_entry_point, &c);
120 pio_sm_set_enabled(pio, sm, true);
121 }

```

We can also use the PIO assembler to generate a table of instructions for passing through the FIFO, for Start/Stop/Restart conditions.

Pico Examples: <https://github.com/raspberrypi/pico-examples/blob/master/pio/i2c/i2c.pio> Lines 126 - 136

```

126 .program set_scl_sda
127 .side_set 1 opt
128
129 ; Assemble a table of instructions which software can select from, and pass
130 ; into the FIFO, to issue START/STOP/RSTART. This isn't intended to be run as
131 ; a complete program.
132
133 set pindirs, 0 side 0 [7] ; SCL = 0, SDA = 0
134 set pindirs, 1 side 0 [7] ; SCL = 0, SDA = 1
135 set pindirs, 0 side 1 [7] ; SCL = 1, SDA = 0
136 set pindirs, 1 side 1 [7] ; SCL = 1, SDA = 1

```

The example code does blocking software IO on the state machine's FIFOs, to avoid the extra complexity of setting up the system DMA. For example, an I2C start condition is enqueued like so:

Pico Examples: https://github.com/raspberrypi/pico-examples/blob/master/pio/i2c/pio_i2c.c Lines 69 - 74

```

69 void pio_i2c_start(PIO pio, uint sm) {
70     pio_i2c_put_or_err(pio, sm, 2u << PIO_I2C_ICOUNT_LSB);           // Escape
    code for 3 instruction sequence
71     pio_i2c_put_or_err(pio, sm, set_scl_sda_program_instructions[I2C_SC1_SD0]); // We are
    already in idle state, just pull SDA low
72     pio_i2c_put_or_err(pio, sm, set_scl_sda_program_instructions[I2C_SC0_SD0]); // Also
    pull clock low so we can present data
73     pio_i2c_put_or_err(pio, sm, pio_encode_mov(pio_isr, pio_null)); // Ensure
    ISR counter is clear following a write
74 }

```

Because I2C can go wrong at so many points, we need to be able to check the error flag asserted by the state machine, clear the halt and restart it, before asserting a Stop condition and releasing the bus.

Pico Examples: https://github.com/raspberrypi/pico-examples/blob/master/pio/i2c/pio_i2c.c Lines 15 - 17

```

15 bool pio_i2c_check_error(PIO pio, uint sm) {
16     return pio_interrupt_get(pio, sm);
17 }

```

Pico Examples: https://github.com/raspberrypi/pico-examples/blob/master/pio/i2c/pio_i2c.c Lines 19 - 23

```

19 void pio_i2c_resume_after_error(PIO pio, uint sm) {
20     pio_sm_drain_tx_fifo(pio, sm);
21     pio_sm_exec(pio, sm, (pio->sm[sm].execctrl & PIO_SM0_EXECCTRL_WRAP_BOTTOM_BITS) >>
    PIO_SM0_EXECCTRL_WRAP_BOTTOM_LSB);
22     pio_interrupt_clear(pio, sm);
23 }

```

We need some higher-level functions to pass correctly-formatted data through the FIFOs and insert Starts, Stops, NAKs and so on at the correct points. This is enough to present a similar interface to the other hardware I2Cs on RP2350.

Pico Examples: https://github.com/raspberrypi/pico-examples/blob/master/pio/i2c/i2c_bus_scan.c Lines 13 - 42

```

13 int main() {
14     stdio_init_all();
15
16     PIO pio = pio0;
17     uint sm = 0;
18     uint offset = pio_add_program(pio, &i2c_program);
19     i2c_program_init(pio, sm, offset, PIN_SDA, PIN_SCL);
20
21     printf("\nPIO I2C Bus Scan\n");
22     printf("  0 1 2 3 4 5 6 7 8 9 A B C D E F\n");
23
24     for (int addr = 0; addr < (1 << 7); ++addr) {
25         if (addr % 16 == 0) {
26             printf("%02x ", addr);
27         }
28         // Perform a 0-byte read from the probe address. The read function
29         // returns a negative result NAK'd any time other than the last data
30         // byte. Skip over reserved addresses.
31         int result;
32         if (reserved_addr(addr))
33             result = -1;
34         else

```



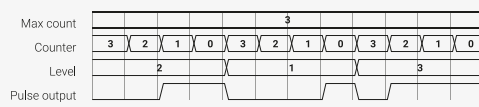
```

35     result = pio_i2c_read_blocking(pio, sm, addr, NULL, 0);
36
37     printf(result < 0 ? "." : "@");
38     printf(addr % 16 == 15 ? "\n" : " ");
39 }
40 printf("Done.\n");
41 return 0;
42 }

```

11.6.8. PWM

Figure 62. Pulse width modulation (PWM). The state machine outputs positive voltage pulses at regular intervals. The width of these pulses is controlled, so that the line is high for some controlled fraction of the time (the duty cycle). One use of this is to smoothly vary the brightness of an LED, by pulsing it faster than human persistence of vision.



This program repeatedly counts down to 0 with the Y register, whilst comparing the Y count to a pulse width held in the X register. The output is asserted low before counting begins, and asserted high when the value in Y reaches X. Once Y reaches 0, the process repeats, and the output is once more driven low. The fraction of time that the output is high is therefore proportional to the pulse width stored in X.

Pico Examples: <https://github.com/raspberrypi/pico-examples/blob/master/pio/pwm/pwm.pio> Lines 10 - 22

```

10 .program pwm
11 .side_set 1 opt
12
13     pull noblock    side 0 ; Pull from FIFO to OSR if available, else copy X to OSR.
14     mov x, osr      ; Copy most-recently-pulled value back to scratch X
15     mov y, isr      ; ISR contains PWM period. Y used as counter.
16 countloop:
17     jmp x!=y noset   ; Set pin high if X == Y, keep the two paths length matched
18     jmp skip        side 1
19 noset:
20     nop              ; Single dummy cycle to keep the two paths the same length
21 skip:
22     jmp y-- countloop ; Loop until Y hits 0, then pull a fresh PWM value from FIFO

```

Often, a PWM can be left at a particular pulse width for thousands of pulses, rather than supplying a new pulse width each time. This example highlights how a non-blocking **PULL** (Section 11.4.7) can achieve this: if the TX FIFO is empty, a non-blocking **PULL** will copy X to the OSR. After pulling, the program copies the OSR into X, so that it can be compared to the count value in Y. The net effect is that, if a new duty cycle value has not been supplied through the TX FIFO at the start of this period, the duty cycle from the previous period (which has been copied from X to OSR via the failed **PULL**, and then back to X via the **MOV**) is *reused*, for as many periods as necessary.

Another useful technique shown here is using the ISR as a configuration register, if **IN** instructions are not required. System software can load an arbitrary 32-bit value into the ISR (by executing instructions directly on the state machine), and the program will copy this value into Y each time it begins counting. The ISR can be used to configure the range of PWM counting, and the state machine's clock divider controls the rate of counting.

To start modulating some pulses, we first need to map the state machine's side-set pins to the GPIO we want to output PWM on, and tell the state machine where the program is loaded in the PIO instruction memory:

Pico Examples: <https://github.com/raspberrypi/pico-examples/blob/master/pio/pwm/pwm.pio> Lines 25 - 31

```

25 static inline void pwm_program_init(PIO pio, uint sm, uint offset, uint pin) {
26     pio_gpio_init(pio, pin);
27     pio_sm_set_consecutive_pindirs(pio, sm, pin, 1, true);

```

```

28   pio_sm_config c = pwm_program_get_default_config(offset);
29   sm_config_set_sideset_pins(&c, pin);
30   pio_sm_init(pio, sm, offset, &c);
31 }

```

A little footwork is required to load the ISR with the desired counting range:

Pico Examples: <https://github.com/raspberrypi/pico-examples/blob/master/pio/pwm/pwm.c> Lines 14 - 20

```

14 void pio_pwm_set_period(PIO pio, uint sm, uint32_t period) {
15     pio_sm_set_enabled(pio, sm, false);
16     pio_sm_put_blocking(pio, sm, period);
17     pio_sm_exec(pio, sm, pio_encode_pull(false, false));
18     pio_sm_exec(pio, sm, pio_encode_out(pio_isr, 32));
19     pio_sm_set_enabled(pio, sm, true);
20 }

```

Once this is done, the state machine can be enabled, and PWM values written directly to its TX FIFO.

Pico Examples: <https://github.com/raspberrypi/pico-examples/blob/master/pio/pwm/pwm.c> Lines 23 - 25

```

23 void pio_pwm_set_level(PIO pio, uint sm, uint32_t level) {
24     pio_sm_put_blocking(pio, sm, level);
25 }

```

Pico Examples: <https://github.com/raspberrypi/pico-examples/blob/master/pio/pwm/pwm.c> Lines 27 - 51

```

27 int main() {
28     stdio_init_all();
29     #ifndef PICO_DEFAULT_LED_PIN
30     #warning pio/pwm example requires a board with a regular LED
31     puts("Default LED pin was not defined");
32 #else
33
34     // todo get free sm
35     PIO pio = pio0;
36     int sm = 0;
37     uint offset = pio_add_program(pio, &pwm_program);
38     printf("Loaded program at %d\n", offset);
39
40     pwm_program_init(pio, sm, offset, PICO_DEFAULT_LED_PIN);
41     pio_pwm_set_period(pio, sm, (1u << 16) - 1);
42
43     int level = 0;
44     while (true) {
45         printf("Level = %d\n", level);
46         pio_pwm_set_level(pio, sm, level * level);
47         level = (level + 1) % 256;
48         sleep_ms(10);
49     }
50 #endif
51 }

```

If the TX FIFO is kept topped up with fresh pulse width values, this program will consume a new pulse width for each pulse. Once the FIFO runs dry, the program will again start reusing the most recently supplied value.

11.6.9. Addition

Although not designed for computation, PIO is quite likely Turing-complete, provided a long enough piece of tape can be found. It is conjectured that it could run DOOM, given a sufficiently high clock speed.

Pico Examples: <https://github.com/raspberrypi/pico-examples/blob/master/pio/addition/addition.pio> Lines 7 - 25

```

7 .program addition
8
9 ; Pop two 32 bit integers from the TX FIFO, add them together, and push the
10 ; result to the TX FIFO. Autopush/pull should be disabled as we're using
11 ; explicit push and pull instructions.
12 ;
13 ; This program uses the two's complement identity  $x + y == \sim(\sim x - y)$ 
14
15     pull
16     mov x, ~osr
17     pull
18     mov y, osr
19     jmp test      ; this loop is equivalent to the following C code:
20 incr:           ; while (y--)
21     jmp x-- test ;   x--;
22 test:          ; This has the effect of subtracting y from x, eventually.
23     jmp y-- incr
24     mov isr, ~x
25     push

```

A full 32-bit addition takes only around one minute at 125 MHz. The program pulls two numbers from the TX FIFO and pushes their sum to the RX FIFO, which is perfect for use either with the system DMA, or directly by the processor:

Pico Examples: <https://github.com/raspberrypi/pico-examples/blob/master/pio/addition/addition.c>

```

1 /**
2  * Copyright (c) 2020 Raspberry Pi (Trading) Ltd.
3  *
4  * SPDX-License-Identifier: BSD-3-Clause
5  */
6
7 #include <stdlib.h>
8 #include <stdio.h>
9
10 #include "pico/stdlib.h"
11 #include "hardware/pio.h"
12 #include "addition.pio.h"
13
14 // Pop quiz: how many additions does the processor do when calling this function
15 uint32_t do_addition(PIO pio, uint sm, uint32_t a, uint32_t b) {
16     pio_sm_put_blocking(pio, sm, a);
17     pio_sm_put_blocking(pio, sm, b);
18     return pio_sm_get_blocking(pio, sm);
19 }
20
21 int main() {
22     stdio_init_all();
23
24     PIO pio = pio0;
25     uint sm = 0;
26     uint offset = pio_add_program(pio, &addition_program);
27     addition_program_init(pio, sm, offset);
28
29     printf("Doing some random additions:\n");

```

```

30     for (int i = 0; i < 10; ++i) {
31         uint a = rand() % 100;
32         uint b = rand() % 100;
33         printf("%u + %u = %u\n", a, b, do_addition(pio, sm, a, b));
34     }
35 }

```

11.6.10. Further examples

[Raspberry Pi Pico-series C/C++ SDK](#) has a PIO chapter which goes into depth on some software-centric topics not presented here. It includes a PIO + DMA logic analyser example that can sample every GPIO on every cycle (a bandwidth of nearly 4Gbps at 125 MHz, although this does fill up RP2350's RAM somewhat quickly).

There are also further examples in the `pio/` directory in the [Pico Examples](#) repository.

Some of the more experimental example code, such as DPI and SD card support, is currently located in the [Pico Extras](#) and [Pico Playground](#) repositories. The PIO parts of these are functional, but the surrounding software stacks are still in an experimental state.

11.7. List of registers

The PIO0 and PIO1 registers start at base addresses of `0x50200000` and `0x50300000` respectively (defined as `PIO0_BASE` and `PIO1_BASE` in SDK).

Table 981. List of PIO registers

| Offset | Name | Info |
|--------|------------------------|---|
| 0x000 | CTRL | PIO control register |
| 0x004 | FSTAT | FIFO status register |
| 0x008 | FDEBUG | FIFO debug register |
| 0x00c | FLEVEL | FIFO levels |
| 0x010 | TXF0 | Direct write access to the TX FIFO for this state machine. Each write pushes one word to the FIFO. Attempting to write to a full FIFO has no effect on the FIFO state or contents, and sets the sticky <code>FDEBUG_TXOVER</code> error flag for this FIFO. |
| 0x014 | TXF1 | Direct write access to the TX FIFO for this state machine. Each write pushes one word to the FIFO. Attempting to write to a full FIFO has no effect on the FIFO state or contents, and sets the sticky <code>FDEBUG_TXOVER</code> error flag for this FIFO. |
| 0x018 | TXF2 | Direct write access to the TX FIFO for this state machine. Each write pushes one word to the FIFO. Attempting to write to a full FIFO has no effect on the FIFO state or contents, and sets the sticky <code>FDEBUG_TXOVER</code> error flag for this FIFO. |
| 0x01c | TXF3 | Direct write access to the TX FIFO for this state machine. Each write pushes one word to the FIFO. Attempting to write to a full FIFO has no effect on the FIFO state or contents, and sets the sticky <code>FDEBUG_TXOVER</code> error flag for this FIFO. |

| Offset | Name | Info |
|--------|-----------------------------------|---|
| 0x020 | RXF0 | Direct read access to the RX FIFO for this state machine. Each read pops one word from the FIFO. Attempting to read from an empty FIFO has no effect on the FIFO state, and sets the sticky FDEBUG_RXUNDER error flag for this FIFO. The data returned to the system on a read from an empty FIFO is undefined. |
| 0x024 | RXF1 | Direct read access to the RX FIFO for this state machine. Each read pops one word from the FIFO. Attempting to read from an empty FIFO has no effect on the FIFO state, and sets the sticky FDEBUG_RXUNDER error flag for this FIFO. The data returned to the system on a read from an empty FIFO is undefined. |
| 0x028 | RXF2 | Direct read access to the RX FIFO for this state machine. Each read pops one word from the FIFO. Attempting to read from an empty FIFO has no effect on the FIFO state, and sets the sticky FDEBUG_RXUNDER error flag for this FIFO. The data returned to the system on a read from an empty FIFO is undefined. |
| 0x02c | RXF3 | Direct read access to the RX FIFO for this state machine. Each read pops one word from the FIFO. Attempting to read from an empty FIFO has no effect on the FIFO state, and sets the sticky FDEBUG_RXUNDER error flag for this FIFO. The data returned to the system on a read from an empty FIFO is undefined. |
| 0x030 | IRQ | State machine IRQ flags register. Write 1 to clear. There are eight state machine IRQ flags, which can be set, cleared, and waited on by the state machines. There's no fixed association between flags and state machines – any state machine can use any flag. Any of the eight flags can be used for timing synchronisation between state machines, using IRQ and WAIT instructions. Any combination of the eight flags can also be routed out to either of the two system-level interrupt requests, alongside FIFO status interrupts – see e.g. IRQ0_INTE. |
| 0x034 | IRQ_FORCE | Writing a 1 to each of these bits will forcibly assert the corresponding IRQ. Note this is different to the INTF register: writing here affects PIO internal state. INTF just asserts the processor-facing IRQ signal for testing ISRs, and is not visible to the state machines. |
| 0x038 | INPUT_SYNC_BYPASS | There is a 2-flipflop synchronizer on each GPIO input, which protects PIO logic from metastabilities. This increases input delay, and for fast synchronous IO (e.g. SPI) these synchronizers may need to be bypassed. Each bit in this register corresponds to one GPIO. 0 → input is synchronized (default) 1 → synchronizer is bypassed If in doubt, leave this register as all zeroes. |
| 0x03c | DBG_PADOUT | Read to sample the pad output values PIO is currently driving to the GPIOs. On RP2040 there are 30 GPIOs, so the two most significant bits are hardwired to 0. |
| 0x040 | DBG_PADOE | Read to sample the pad output enables (direction) PIO is currently driving to the GPIOs. On RP2040 there are 30 GPIOs, so the two most significant bits are hardwired to 0. |

| Offset | Name | Info |
|--------|-------------|---|
| 0x044 | DBG_CFGINFO | The PIO hardware has some free parameters that may vary between chip products. These should be provided in the chip datasheet, but are also exposed here. |
| 0x048 | INSTR_MEM0 | Write-only access to instruction memory location 0 |
| 0x04c | INSTR_MEM1 | Write-only access to instruction memory location 1 |
| 0x050 | INSTR_MEM2 | Write-only access to instruction memory location 2 |
| 0x054 | INSTR_MEM3 | Write-only access to instruction memory location 3 |
| 0x058 | INSTR_MEM4 | Write-only access to instruction memory location 4 |
| 0x05c | INSTR_MEM5 | Write-only access to instruction memory location 5 |
| 0x060 | INSTR_MEM6 | Write-only access to instruction memory location 6 |
| 0x064 | INSTR_MEM7 | Write-only access to instruction memory location 7 |
| 0x068 | INSTR_MEM8 | Write-only access to instruction memory location 8 |
| 0x06c | INSTR_MEM9 | Write-only access to instruction memory location 9 |
| 0x070 | INSTR_MEM10 | Write-only access to instruction memory location 10 |
| 0x074 | INSTR_MEM11 | Write-only access to instruction memory location 11 |
| 0x078 | INSTR_MEM12 | Write-only access to instruction memory location 12 |
| 0x07c | INSTR_MEM13 | Write-only access to instruction memory location 13 |
| 0x080 | INSTR_MEM14 | Write-only access to instruction memory location 14 |
| 0x084 | INSTR_MEM15 | Write-only access to instruction memory location 15 |
| 0x088 | INSTR_MEM16 | Write-only access to instruction memory location 16 |
| 0x08c | INSTR_MEM17 | Write-only access to instruction memory location 17 |
| 0x090 | INSTR_MEM18 | Write-only access to instruction memory location 18 |
| 0x094 | INSTR_MEM19 | Write-only access to instruction memory location 19 |
| 0x098 | INSTR_MEM20 | Write-only access to instruction memory location 20 |
| 0x09c | INSTR_MEM21 | Write-only access to instruction memory location 21 |
| 0x0a0 | INSTR_MEM22 | Write-only access to instruction memory location 22 |
| 0x0a4 | INSTR_MEM23 | Write-only access to instruction memory location 23 |
| 0x0a8 | INSTR_MEM24 | Write-only access to instruction memory location 24 |
| 0x0ac | INSTR_MEM25 | Write-only access to instruction memory location 25 |
| 0x0b0 | INSTR_MEM26 | Write-only access to instruction memory location 26 |
| 0x0b4 | INSTR_MEM27 | Write-only access to instruction memory location 27 |
| 0x0b8 | INSTR_MEM28 | Write-only access to instruction memory location 28 |
| 0x0bc | INSTR_MEM29 | Write-only access to instruction memory location 29 |
| 0x0c0 | INSTR_MEM30 | Write-only access to instruction memory location 30 |
| 0x0c4 | INSTR_MEM31 | Write-only access to instruction memory location 31 |

| Offset | Name | Info |
|--------|---------------|--|
| 0x0c8 | SM0_CLKDIV | Clock divisor register for state machine 0 Frequency = clock freq / (CLKDIV_INT + CLKDIV_FRAC / 256) |
| 0x0cc | SM0_EXECCTRL | Execution/behavioural settings for state machine 0 |
| 0x0d0 | SM0_SHIFTCTRL | Control behaviour of the input/output shift registers for state machine 0 |
| 0x0d4 | SM0_ADDR | Current instruction address of state machine 0 |
| 0x0d8 | SM0_INSTR | Read to see the instruction currently addressed by state machine 0's program counter Write to execute an instruction immediately (including jumps) and then resume execution. |
| 0x0dc | SM0_PINCTRL | State machine pin control |
| 0x0e0 | SM1_CLKDIV | Clock divisor register for state machine 1 Frequency = clock freq / (CLKDIV_INT + CLKDIV_FRAC / 256) |
| 0x0e4 | SM1_EXECCTRL | Execution/behavioural settings for state machine 1 |
| 0x0e8 | SM1_SHIFTCTRL | Control behaviour of the input/output shift registers for state machine 1 |
| 0x0ec | SM1_ADDR | Current instruction address of state machine 1 |
| 0x0f0 | SM1_INSTR | Read to see the instruction currently addressed by state machine 1's program counter Write to execute an instruction immediately (including jumps) and then resume execution. |
| 0x0f4 | SM1_PINCTRL | State machine pin control |
| 0x0f8 | SM2_CLKDIV | Clock divisor register for state machine 2 Frequency = clock freq / (CLKDIV_INT + CLKDIV_FRAC / 256) |
| 0x0fc | SM2_EXECCTRL | Execution/behavioural settings for state machine 2 |
| 0x100 | SM2_SHIFTCTRL | Control behaviour of the input/output shift registers for state machine 2 |
| 0x104 | SM2_ADDR | Current instruction address of state machine 2 |
| 0x108 | SM2_INSTR | Read to see the instruction currently addressed by state machine 2's program counter Write to execute an instruction immediately (including jumps) and then resume execution. |
| 0x10c | SM2_PINCTRL | State machine pin control |
| 0x110 | SM3_CLKDIV | Clock divisor register for state machine 3 Frequency = clock freq / (CLKDIV_INT + CLKDIV_FRAC / 256) |
| 0x114 | SM3_EXECCTRL | Execution/behavioural settings for state machine 3 |
| 0x118 | SM3_SHIFTCTRL | Control behaviour of the input/output shift registers for state machine 3 |
| 0x11c | SM3_ADDR | Current instruction address of state machine 3 |
| 0x120 | SM3_INSTR | Read to see the instruction currently addressed by state machine 3's program counter Write to execute an instruction immediately (including jumps) and then resume execution. |

| Offset | Name | Info |
|--------|------------------------------|--|
| 0x124 | SM3_PINCTRL | State machine pin control |
| 0x128 | RXF0_PUTGET0 | Direct read/write access to entry 0 of SM0's RX FIFO, if SHIFTCTRL_FJOIN_RX_PUT xor SHIFTCTRL_FJOIN_RX_GET is set. |
| 0x12c | RXF0_PUTGET1 | Direct read/write access to entry 1 of SM0's RX FIFO, if SHIFTCTRL_FJOIN_RX_PUT xor SHIFTCTRL_FJOIN_RX_GET is set. |
| 0x130 | RXF0_PUTGET2 | Direct read/write access to entry 2 of SM0's RX FIFO, if SHIFTCTRL_FJOIN_RX_PUT xor SHIFTCTRL_FJOIN_RX_GET is set. |
| 0x134 | RXF0_PUTGET3 | Direct read/write access to entry 3 of SM0's RX FIFO, if SHIFTCTRL_FJOIN_RX_PUT xor SHIFTCTRL_FJOIN_RX_GET is set. |
| 0x138 | RXF1_PUTGET0 | Direct read/write access to entry 0 of SM1's RX FIFO, if SHIFTCTRL_FJOIN_RX_PUT xor SHIFTCTRL_FJOIN_RX_GET is set. |
| 0x13c | RXF1_PUTGET1 | Direct read/write access to entry 1 of SM1's RX FIFO, if SHIFTCTRL_FJOIN_RX_PUT xor SHIFTCTRL_FJOIN_RX_GET is set. |
| 0x140 | RXF1_PUTGET2 | Direct read/write access to entry 2 of SM1's RX FIFO, if SHIFTCTRL_FJOIN_RX_PUT xor SHIFTCTRL_FJOIN_RX_GET is set. |
| 0x144 | RXF1_PUTGET3 | Direct read/write access to entry 3 of SM1's RX FIFO, if SHIFTCTRL_FJOIN_RX_PUT xor SHIFTCTRL_FJOIN_RX_GET is set. |
| 0x148 | RXF2_PUTGET0 | Direct read/write access to entry 0 of SM2's RX FIFO, if SHIFTCTRL_FJOIN_RX_PUT xor SHIFTCTRL_FJOIN_RX_GET is set. |
| 0x14c | RXF2_PUTGET1 | Direct read/write access to entry 1 of SM2's RX FIFO, if SHIFTCTRL_FJOIN_RX_PUT xor SHIFTCTRL_FJOIN_RX_GET is set. |
| 0x150 | RXF2_PUTGET2 | Direct read/write access to entry 2 of SM2's RX FIFO, if SHIFTCTRL_FJOIN_RX_PUT xor SHIFTCTRL_FJOIN_RX_GET is set. |
| 0x154 | RXF2_PUTGET3 | Direct read/write access to entry 3 of SM2's RX FIFO, if SHIFTCTRL_FJOIN_RX_PUT xor SHIFTCTRL_FJOIN_RX_GET is set. |
| 0x158 | RXF3_PUTGET0 | Direct read/write access to entry 0 of SM3's RX FIFO, if SHIFTCTRL_FJOIN_RX_PUT xor SHIFTCTRL_FJOIN_RX_GET is set. |
| 0x15c | RXF3_PUTGET1 | Direct read/write access to entry 1 of SM3's RX FIFO, if SHIFTCTRL_FJOIN_RX_PUT xor SHIFTCTRL_FJOIN_RX_GET is set. |
| 0x160 | RXF3_PUTGET2 | Direct read/write access to entry 2 of SM3's RX FIFO, if SHIFTCTRL_FJOIN_RX_PUT xor SHIFTCTRL_FJOIN_RX_GET is set. |

| Offset | Name | Info |
|--------|------------------------------|---|
| 0x164 | RXF3_PUTGET3 | Direct read/write access to entry 3 of SM3's RX FIFO, if SHIFTCTRL_FJOIN_RX_PUT xor SHIFTCTRL_FJOIN_RX_GET is set. |
| 0x168 | GPIOBASE | Relocate GPIO 0 (from PIO's point of view) in the system GPIO numbering, to access more than 32 GPIOs from PIO. Only the values 0 and 16 are supported (only bit 4 is writable). |
| 0x16c | INTR | Raw Interrupts |
| 0x170 | IRQ0_INTE | Interrupt Enable for irq0 |
| 0x174 | IRQ0_INTF | Interrupt Force for irq0 |
| 0x178 | IRQ0_INTS | Interrupt status after masking & forcing for irq0 |
| 0x17c | IRQ1_INTE | Interrupt Enable for irq1 |
| 0x180 | IRQ1_INTF | Interrupt Force for irq1 |
| 0x184 | IRQ1_INTS | Interrupt status after masking & forcing for irq1 |

PIO: CTRL Register

Offset: 0x000

Description

PIO control register

Table 982. CTRL Register

| Bits | Description | Type | Reset |
|-------|--|------|-------|
| 31:27 | Reserved. | - | - |
| 26 | NEXTPREV_CLKDIV_RESTART: Write 1 to restart the clock dividers of state machines in neighbouring PIO blocks, as specified by NEXT_PIO_MASK and PREV_PIO_MASK in the same write. This is equivalent to writing 1 to the corresponding CLKDIV_RESTART bits in those PIOs' CTRL registers. | SC | 0x0 |
| 25 | NEXTPREV_SM_DISABLE: Write 1 to disable state machines in neighbouring PIO blocks, as specified by NEXT_PIO_MASK and PREV_PIO_MASK in the same write. This is equivalent to clearing the corresponding SM_ENABLE bits in those PIOs' CTRL registers. | SC | 0x0 |
| 24 | NEXTPREV_SM_ENABLE: Write 1 to enable state machines in neighbouring PIO blocks, as specified by NEXT_PIO_MASK and PREV_PIO_MASK in the same write. This is equivalent to setting the corresponding SM_ENABLE bits in those PIOs' CTRL registers. If both OTHERS_SM_ENABLE and OTHERS_SM_DISABLE are set, the disable takes precedence. | SC | 0x0 |

| Bits | Description | Type | Reset |
|-------|--|------|-------|
| 23:20 | <p>NEXT_PIO_MASK: A mask of state machines in the neighbouring higher-numbered PIO block in the system (or PIO block 0 if this is the highest-numbered PIO block) to which to apply the operations specified by NEXTPREV_CLKDIV_RESTART, NEXTPREV_SM_ENABLE, and NEXTPREV_SM_DISABLE in the same write.</p> <p>This allows state machines in a neighbouring PIO block to be started/stopped/clock-synced exactly simultaneously with a write to this PIO block's CTRL register.</p> <p>Note that in a system with two PIOs, NEXT_PIO_MASK and PREV_PIO_MASK actually indicate the same PIO block. In this case the effects are applied cumulatively (as though the masks were OR'd together).</p> <p>Neighbouring PIO blocks are disconnected (status signals tied to 0 and control signals ignored) if one block is accessible to NonSecure code, and one is not.</p> | SC | 0x0 |
| 19:16 | <p>PREV_PIO_MASK: A mask of state machines in the neighbouring lower-numbered PIO block in the system (or the highest-numbered PIO block if this is PIO block 0) to which to apply the operations specified by OP_CLKDIV_RESTART, OP_ENABLE, OP_DISABLE in the same write.</p> <p>This allows state machines in a neighbouring PIO block to be started/stopped/clock-synced exactly simultaneously with a write to this PIO block's CTRL register.</p> <p>Neighbouring PIO blocks are disconnected (status signals tied to 0 and control signals ignored) if one block is accessible to NonSecure code, and one is not.</p> | SC | 0x0 |
| 15:12 | Reserved. | - | - |
| 11:8 | <p>CLKDIV_RESTART: Restart a state machine's clock divider from an initial phase of 0. Clock dividers are free-running, so once started, their output (including fractional jitter) is completely determined by the integer/fractional divisor configured in SMx_CLKDIV. This means that, if multiple clock dividers with the same divisor are restarted simultaneously, by writing multiple 1 bits to this field, the execution clocks of those state machines will run in precise lockstep.</p> <p>Note that setting/clearing SM_ENABLE does not stop the clock divider from running, so once multiple state machines' clocks are synchronised, it is safe to disable/reenable a state machine, whilst keeping the clock dividers in sync.</p> <p>Note also that CLKDIV_RESTART can be written to whilst the state machine is running, and this is useful to resynchronise clock dividers after the divisors (SMx_CLKDIV) have been changed on-the-fly.</p> | SC | 0x0 |

| Bits | Description | Type | Reset |
|------|--|------|-------|
| 7:4 | <p>SM_RESTART: Write 1 to instantly clear internal SM state which may be otherwise difficult to access and will affect future execution.</p> <p>Specifically, the following are cleared: input and output shift counters; the contents of the input shift register; the delay counter; the waiting-on-IRQ state; any stalled instruction written to SMx_INSTR or run by OUT/MOV EXEC; any pin write left asserted due to OUT_STICKY.</p> <p>The contents of the output shift register and the X/Y scratch registers are not affected.</p> | SC | 0x0 |
| 3:0 | <p>SM_ENABLE: Enable/disable each of the four state machines by writing 1/0 to each of these four bits. When disabled, a state machine will cease executing instructions, except those written directly to SMx_INSTR by the system. Multiple bits can be set/cleared at once to run/halt multiple state machines simultaneously.</p> | RW | 0x0 |

PIO: FSTAT Register

Offset: 0x004

Description

FIFO status register

Table 983. FSTAT Register

| Bits | Description | Type | Reset |
|-------|--|------|-------|
| 31:28 | Reserved. | - | - |
| 27:24 | TXEMPTY: State machine TX FIFO is empty | RO | 0xf |
| 23:20 | Reserved. | - | - |
| 19:16 | TXFULL: State machine TX FIFO is full | RO | 0x0 |
| 15:12 | Reserved. | - | - |
| 11:8 | RXEMPTY: State machine RX FIFO is empty | RO | 0xf |
| 7:4 | Reserved. | - | - |
| 3:0 | RXFULL: State machine RX FIFO is full | RO | 0x0 |

PIO: FDEBUG Register

Offset: 0x008

Description

FIFO debug register

Table 984. FDEBUG Register

| Bits | Description | Type | Reset |
|-------|---|------|-------|
| 31:28 | Reserved. | - | - |
| 27:24 | TXSTALL: State machine has stalled on empty TX FIFO during a blocking PULL, or an OUT with autopull enabled. Write 1 to clear. | WC | 0x0 |
| 23:20 | Reserved. | - | - |

| Bits | Description | Type | Reset |
|-------|---|------|-------|
| 19:16 | TXOVER : TX FIFO overflow (i.e. write-on-full by the system) has occurred. Write 1 to clear. Note that write-on-full does not alter the state or contents of the FIFO in any way, but the data that the system attempted to write is dropped, so if this flag is set, your software has quite likely dropped some data on the floor. | WC | 0x0 |
| 15:12 | Reserved. | - | - |
| 11:8 | RXUNDER : RX FIFO underflow (i.e. read-on-empty by the system) has occurred. Write 1 to clear. Note that read-on-empty does not perturb the state of the FIFO in any way, but the data returned by reading from an empty FIFO is undefined, so this flag generally only becomes set due to some kind of software error. | WC | 0x0 |
| 7:4 | Reserved. | - | - |
| 3:0 | RXSTALL : State machine has stalled on full RX FIFO during a blocking PUSH, or an IN with autopush enabled. This flag is also set when a nonblocking PUSH to a full FIFO took place, in which case the state machine has dropped data. Write 1 to clear. | WC | 0x0 |

PIO: FLEVEL Register

Offset: 0x00c

Description

FIFO levels

Table 985. FLEVEL Register

| Bits | Description | Type | Reset |
|-------|-------------|------|-------|
| 31:28 | RX3 | RO | 0x0 |
| 27:24 | TX3 | RO | 0x0 |
| 23:20 | RX2 | RO | 0x0 |
| 19:16 | TX2 | RO | 0x0 |
| 15:12 | RX1 | RO | 0x0 |
| 11:8 | TX1 | RO | 0x0 |
| 7:4 | RX0 | RO | 0x0 |
| 3:0 | TX0 | RO | 0x0 |

PIO: TXF0, TXF1, TXF2, TXF3 Registers

Offsets: 0x010, 0x014, 0x018, 0x01c

Table 986. TXF0, TXF1, TXF2, TXF3 Registers

| Bits | Description | Type | Reset |
|------|--|------|------------|
| 31:0 | Direct write access to the TX FIFO for this state machine. Each write pushes one word to the FIFO. Attempting to write to a full FIFO has no effect on the FIFO state or contents, and sets the sticky FDEBUG_TXOVER error flag for this FIFO. | WF | 0x00000000 |

PIO: RXF0, RXF1, RXF2, RXF3 Registers

Offsets: 0x020, 0x024, 0x028, 0x02c

Table 987. RXF0, RXF1, RXF2, RXF3 Registers

| Bits | Description | Type | Reset |
|------|---|------|-------|
| 31:0 | Direct read access to the RX FIFO for this state machine. Each read pops one word from the FIFO. Attempting to read from an empty FIFO has no effect on the FIFO state, and sets the sticky FDEBUG_RXUNDER error flag for this FIFO. The data returned to the system on a read from an empty FIFO is undefined. | RF | - |

PIO: IRQ Register

Offset: 0x030

Table 988. IRQ Register

| Bits | Description | Type | Reset |
|------|---|------|-------|
| 31:8 | Reserved. | - | - |
| 7:0 | State machine IRQ flags register. Write 1 to clear. There are eight state machine IRQ flags, which can be set, cleared, and waited on by the state machines. There's no fixed association between flags and state machines – any state machine can use any flag. Any of the eight flags can be used for timing synchronisation between state machines, using IRQ and WAIT instructions. Any combination of the eight flags can also be routed out to either of the two system-level interrupt requests, alongside FIFO status interrupts – see e.g. IRQ0_INTE. | WC | 0x00 |

PIO: IRQ_FORCE Register

Offset: 0x034

Table 989. IRQ_FORCE Register

| Bits | Description | Type | Reset |
|------|---|------|-------|
| 31:8 | Reserved. | - | - |
| 7:0 | Writing a 1 to each of these bits will forcibly assert the corresponding IRQ. Note this is different to the INTF register: writing here affects PIO internal state. INTF just asserts the processor-facing IRQ signal for testing ISRs, and is not visible to the state machines. | WF | 0x00 |

PIO: INPUT_SYNC_BYPASS Register

Offset: 0x038

Table 990. INPUT_SYNC_BYPASS Register

| Bits | Description | Type | Reset |
|------|--|------|------------|
| 31:0 | There is a 2-flipflop synchronizer on each GPIO input, which protects PIO logic from metastabilities. This increases input delay, and for fast synchronous IO (e.g. SPI) these synchronizers may need to be bypassed. Each bit in this register corresponds to one GPIO. 0 → input is synchronized (default) 1 → synchronizer is bypassed If in doubt, leave this register as all zeroes. | RW | 0x00000000 |

PIO: DBG_PADOUT Register

Offset: 0x03c

Table 991.
DBG_PADOUT Register

| Bits | Description | Type | Reset |
|------|--|------|------------|
| 31:0 | Read to sample the pad output values PIO is currently driving to the GPIOs. On RP2040 there are 30 GPIOs, so the two most significant bits are hardwired to 0. | RO | 0x00000000 |

PIO: DBG_PADOE Register

Offset: 0x040

Table 992.
DBG_PADOE Register

| Bits | Description | Type | Reset |
|------|---|------|------------|
| 31:0 | Read to sample the pad output enables (direction) PIO is currently driving to the GPIOs. On RP2040 there are 30 GPIOs, so the two most significant bits are hardwired to 0. | RO | 0x00000000 |

PIO: DBG_CFGINFO Register

Offset: 0x044

Description

The PIO hardware has some free parameters that may vary between chip products. These should be provided in the chip datasheet, but are also exposed here.

Table 993.
DBG_CFGINFO Register

| Bits | Description | Type | Reset |
|-------|---|------|-------|
| 31:28 | VERSION: Version of the core PIO hardware. | RO | 0x1 |
| | Enumerated values: | | |
| | 0x0 → V0: Version 0 (RP2040) | | |
| | 0x1 → V1: Version 1 (RP2350) | | |
| 27:22 | Reserved. | - | - |
| 21:16 | IMEM_SIZE: The size of the instruction memory, measured in units of one instruction | RO | - |
| 15:12 | Reserved. | - | - |
| 11:8 | SM_COUNT: The number of state machines this PIO instance is equipped with. | RO | - |
| 7:6 | Reserved. | - | - |
| 5:0 | FIFO_DEPTH: The depth of the state machine TX/RX FIFOs, measured in words. Joining fifos via SHIFTCTRL_FJOIN gives one FIFO with double this depth. | RO | - |

PIO: INSTR_MEM0, INSTR_MEM1, ..., INSTR_MEM30, INSTR_MEM31 Registers

Offsets: 0x048, 0x04c, ..., 0x0c0, 0x0c4

Table 994.
INSTR_MEM0,
INSTR_MEM1, ...,
INSTR_MEM30,
INSTR_MEM31
Registers

| Bits | Description | Type | Reset |
|-------|---|------|--------|
| 31:16 | Reserved. | - | - |
| 15:0 | Write-only access to instruction memory location <i>N</i> | WO | 0x0000 |

PIO: SM0_CLKDIV, SM1_CLKDIV, SM2_CLKDIV, SM3_CLKDIV Registers

Offsets: 0x0c8, 0x0e0, 0x0f8, 0x110

Description

Clock divisor register for state machine *N*

Frequency = clock freq / (CLKDIV_INT + CLKDIV_FRAC / 256)

Table 995.
SM0_CLKDIV,
SM1_CLKDIV,
SM2_CLKDIV,
SM3_CLKDIV
Registers

| Bits | Description | Type | Reset |
|-------|--|------|--------|
| 31:16 | INT: Effective frequency is sysclk/(int + frac/256). Value of 0 is interpreted as 65536. If INT is 0, FRAC must also be 0. | RW | 0x0001 |
| 15:8 | FRAC: Fractional part of clock divisor | RW | 0x00 |
| 7:0 | Reserved. | - | - |

PIO: SM0_EXECCTRL, SM1_EXECCTRL, SM2_EXECCTRL, SM3_EXECCTRL Registers

Offsets: 0x0cc, 0x0e4, 0x0fc, 0x114

Description

Execution/behavioural settings for state machine *N*

Table 996.
SM0_EXECCTRL,
SM1_EXECCTRL,
SM2_EXECCTRL,
SM3_EXECCTRL
Registers

| Bits | Description | Type | Reset |
|-------|---|------|-------|
| 31 | EXEC_STALLED: If 1, an instruction written to SMx_INSTR is stalled, and latched by the state machine. Will clear to 0 once this instruction completes. | RO | 0x0 |
| 30 | SIDE_EN: If 1, the MSB of the Delay/Side-set instruction field is used as side-set enable, rather than a side-set data bit. This allows instructions to perform side-set optionally, rather than on every instruction, but the maximum possible side-set width is reduced from 5 to 4. Note that the value of PINCTRL_SIDESET_COUNT is inclusive of this enable bit. | RW | 0x0 |
| 29 | SIDE_PINDIR: If 1, side-set data is asserted to pin directions, instead of pin values | RW | 0x0 |
| 28:24 | JMP_PIN: The GPIO number to use as condition for JMP PIN. Unaffected by input mapping. | RW | 0x00 |
| 23:19 | OUT_EN_SEL: Which data bit to use for inline OUT enable | RW | 0x00 |
| 18 | INLINE_OUT_EN: If 1, use a bit of OUT data as an auxiliary write enable When used in conjunction with OUT_STICKY, writes with an enable of 0 will deassert the latest pin write. This can create useful masking/override behaviour due to the priority ordering of state machine pin writes (SM0 < SM1 < ...) | RW | 0x0 |
| 17 | OUT_STICKY: Continuously assert the most recent OUT/SET to the pins | RW | 0x0 |
| 16:12 | WRAP_TOP: After reaching this address, execution is wrapped to wrap_bottom. If the instruction is a jump, and the jump condition is true, the jump takes priority. | RW | 0x1f |

| Bits | Description | Type | Reset |
|------|--|------|-------|
| 11:7 | WRAP_BOTTOM : After reaching wrap_top, execution is wrapped to this address. | RW | 0x00 |
| 6:5 | STATUS_SEL : Comparison used for the MOV x, STATUS instruction. | RW | 0x0 |
| | Enumerated values: | | |
| | 0x0 → TXLEVEL: All-ones if TX FIFO level < N, otherwise all-zeroes | | |
| | 0x1 → RXLEVEL: All-ones if RX FIFO level < N, otherwise all-zeroes | | |
| | 0x2 → IRQ: All-ones if the indexed IRQ flag is raised, otherwise all-zeroes | | |
| 4:0 | STATUS_N : Comparison level or IRQ index for the MOV x, STATUS instruction. If STATUS_SEL is TXLEVEL or RXLEVEL, then values of STATUS_N greater than the current FIFO depth are reserved, and have undefined behaviour. | RW | 0x00 |
| | Enumerated values: | | |
| | 0x00 → IRQ: Index 0-7 of an IRQ flag in this PIO block | | |
| | 0x08 → IRQ_PREVPIO: Index 0-7 of an IRQ flag in the next lower-numbered PIO block | | |
| | 0x10 → IRQ_NEXTPIO: Index 0-7 of an IRQ flag in the next higher-numbered PIO block | | |

PIO: SM0_SHIFTCTRL, SM1_SHIFTCTRL, SM2_SHIFTCTRL, SM3_SHIFTCTRL Registers

Offsets: 0x0d0, 0x0e8, 0x100, 0x118

Description

Control behaviour of the input/output shift registers for state machine *N*

Table 997.
SM0_SHIFTCTRL,
SM1_SHIFTCTRL,
SM2_SHIFTCTRL,
SM3_SHIFTCTRL
Registers

| Bits | Description | Type | Reset |
|-------|---|------|-------|
| 31 | FJOIN_RX : When 1, RX FIFO steals the TX FIFO's storage, and becomes twice as deep. TX FIFO is disabled as a result (always reads as both full and empty). FIFOs are flushed when this bit is changed. | RW | 0x0 |
| 30 | FJOIN_TX : When 1, TX FIFO steals the RX FIFO's storage, and becomes twice as deep. RX FIFO is disabled as a result (always reads as both full and empty). FIFOs are flushed when this bit is changed. | RW | 0x0 |
| 29:25 | PULL_THRESH : Number of bits shifted out of OSR before autopull, or conditional pull (PULL IFEMPTY), will take place. Write 0 for value of 32. | RW | 0x00 |
| 24:20 | PUSH_THRESH : Number of bits shifted into ISR before autopush, or conditional push (PUSH IFFULL), will take place. Write 0 for value of 32. | RW | 0x00 |
| 19 | OUT_SHIFTDIR : 1 = shift out of output shift register to right. 0 = to left. | RW | 0x1 |
| 18 | IN_SHIFTDIR : 1 = shift input shift register to right (data enters from left). 0 = to left. | RW | 0x1 |

| Bits | Description | Type | Reset |
|------|--|------|-------|
| 17 | AUTOPULL: Pull automatically when the output shift register is emptied, i.e. on or following an OUT instruction which causes the output shift counter to reach or exceed PULL_THRESH. | RW | 0x0 |
| 16 | AUTOPUSH: Push automatically when the input shift register is filled, i.e. on an IN instruction which causes the input shift counter to reach or exceed PUSH_THRESH. | RW | 0x0 |
| 15 | FJOIN_RX_PUT: If 1, disable this state machine's RX FIFO, make its storage available for random write access by the state machine (using the put instruction) and, unless FJOIN_RX_GET is also set, random read access by the processor (through the RXFx_PUTGETy registers). If FJOIN_RX_PUT and FJOIN_RX_GET are both set, then the RX FIFO's registers can be randomly read/written by the state machine, but are completely inaccessible to the processor. Setting this bit will clear the FJOIN_TX and FJOIN_RX bits. | RW | 0x0 |
| 14 | FJOIN_RX_GET: If 1, disable this state machine's RX FIFO, make its storage available for random read access by the state machine (using the get instruction) and, unless FJOIN_RX_PUT is also set, random write access by the processor (through the RXFx_PUTGETy registers). If FJOIN_RX_PUT and FJOIN_RX_GET are both set, then the RX FIFO's registers can be randomly read/written by the state machine, but are completely inaccessible to the processor. Setting this bit will clear the FJOIN_TX and FJOIN_RX bits. | RW | 0x0 |
| 13:5 | Reserved. | - | - |
| 4:0 | IN_COUNT: Set the number of pins which are not masked to 0 when read by an IN PINS, WAIT PIN or MOV x, PINS instruction. For example, an IN_COUNT of 5 means that the 5 LSBs of the IN pin group are visible (bits 4:0), but the remaining 27 MSBs are masked to 0. A count of 32 is encoded with a field value of 0, so the default behaviour is to not perform any masking. Note this masking is applied in addition to the masking usually performed by the IN instruction. This is mainly useful for the MOV x, PINS instruction, which otherwise has no way of masking pins. | RW | 0x00 |

PIO: SM0_ADDR, SM1_ADDR, SM2_ADDR, SM3_ADDR Registers

Offsets: 0x0d4, 0x0ec, 0x104, 0x11c

Table 998. SM0_ADDR, SM1_ADDR, SM2_ADDR, SM3_ADDR Registers

| Bits | Description | Type | Reset |
|------|---|------|-------|
| 31:5 | Reserved. | - | - |
| 4:0 | Current instruction address of state machine <i>N</i> | RO | 0x00 |

PIO: SM0_INSTR, SM1_INSTR, SM2_INSTR, SM3_INSTR Registers

Offsets: 0x0d8, 0x0f0, 0x108, 0x120

Table 999.
SM0_INSTR,
SM1_INSTR,
SM2_INSTR,
SM3_INSTR Registers

| Bits | Description | Type | Reset |
|-------|---|------|-------|
| 31:16 | Reserved. | - | - |
| 15:0 | Read to see the instruction currently addressed by state machine <i>N</i> 's program counter. Write to execute an instruction immediately (including jumps) and then resume execution. | RW | - |

PIO: SM0_PINCTRL, SM1_PINCTRL, SM2_PINCTRL, SM3_PINCTRL Registers

Offsets: 0x0dc, 0x0f4, 0x10c, 0x124

Description

State machine pin control

Table 1000.
SM0_PINCTRL,
SM1_PINCTRL,
SM2_PINCTRL,
SM3_PINCTRL
Registers

| Bits | Description | Type | Reset |
|-------|---|------|-------|
| 31:29 | SIDASET_COUNT : The number of MSBs of the Delay/Side-set instruction field which are used for side-set. Inclusive of the enable bit, if present. Minimum of 0 (all delay bits, no side-set) and maximum of 5 (all side-set, no delay). | RW | 0x0 |
| 28:26 | SET_COUNT : The number of pins asserted by a SET. In the range 0 to 5 inclusive. | RW | 0x5 |
| 25:20 | OUT_COUNT : The number of pins asserted by an OUT PINS, OUT PINDIRS or MOV PINS instruction. In the range 0 to 32 inclusive. | RW | 0x00 |
| 19:15 | IN_BASE : The pin which is mapped to the least-significant bit of a state machine's IN data bus. Higher-numbered pins are mapped to consecutively more-significant data bits, with a modulo of 32 applied to pin number. | RW | 0x00 |
| 14:10 | SIDASET_BASE : The lowest-numbered pin that will be affected by a side-set operation. The MSBs of an instruction's side-set/delay field (up to 5, determined by SIDASET_COUNT) are used for side-set data, with the remaining LSBs used for delay. The least-significant bit of the side-set portion is the bit written to this pin, with more-significant bits written to higher-numbered pins. | RW | 0x00 |
| 9:5 | SET_BASE : The lowest-numbered pin that will be affected by a SET PINS or SET PINDIRS instruction. The data written to this pin is the least-significant bit of the SET data. | RW | 0x00 |
| 4:0 | OUT_BASE : The lowest-numbered pin that will be affected by an OUT PINS, OUT PINDIRS or MOV PINS instruction. The data written to this pin will always be the least-significant bit of the OUT or MOV data. | RW | 0x00 |

PIO: RXF0_PUTGET0 Register

Offset: 0x128

Table 1001.
RXF0_PUTGET0
Register

| Bits | Description | Type | Reset |
|------|--|------|------------|
| 31:0 | Direct read/write access to entry 0 of SM0's RX FIFO, if SHIFTCTRL_FJOIN_RX_PUT xor SHIFTCTRL_FJOIN_RX_GET is set. | RW | 0x00000000 |

PIO: RXF0_PUTGET1 Register

Offset: 0x12c

Table 1002.
RXF0_PUTGET1
Register

| Bits | Description | Type | Reset |
|------|--|------|------------|
| 31:0 | Direct read/write access to entry 1 of SM0's RX FIFO, if SHIFTCTRL_FJOIN_RX_PUT xor SHIFTCTRL_FJOIN_RX_GET is set. | RW | 0x00000000 |

PIO: RXF0_PUTGET2 Register

Offset: 0x130

Table 1003.
RXF0_PUTGET2
Register

| Bits | Description | Type | Reset |
|------|--|------|------------|
| 31:0 | Direct read/write access to entry 2 of SM0's RX FIFO, if SHIFTCTRL_FJOIN_RX_PUT xor SHIFTCTRL_FJOIN_RX_GET is set. | RW | 0x00000000 |

PIO: RXF0_PUTGET3 Register

Offset: 0x134

Table 1004.
RXF0_PUTGET3
Register

| Bits | Description | Type | Reset |
|------|--|------|------------|
| 31:0 | Direct read/write access to entry 3 of SM0's RX FIFO, if SHIFTCTRL_FJOIN_RX_PUT xor SHIFTCTRL_FJOIN_RX_GET is set. | RW | 0x00000000 |

PIO: RXF1_PUTGET0 Register

Offset: 0x138

Table 1005.
RXF1_PUTGET0
Register

| Bits | Description | Type | Reset |
|------|--|------|------------|
| 31:0 | Direct read/write access to entry 0 of SM1's RX FIFO, if SHIFTCTRL_FJOIN_RX_PUT xor SHIFTCTRL_FJOIN_RX_GET is set. | RW | 0x00000000 |

PIO: RXF1_PUTGET1 Register

Offset: 0x13c

Table 1006.
RXF1_PUTGET1
Register

| Bits | Description | Type | Reset |
|------|--|------|------------|
| 31:0 | Direct read/write access to entry 1 of SM1's RX FIFO, if SHIFTCTRL_FJOIN_RX_PUT xor SHIFTCTRL_FJOIN_RX_GET is set. | RW | 0x00000000 |

PIO: RXF1_PUTGET2 Register

Offset: 0x140

Table 1007.
RXF1_PUTGET2
Register

| Bits | Description | Type | Reset |
|------|--|------|------------|
| 31:0 | Direct read/write access to entry 2 of SM1's RX FIFO, if SHIFTCTRL_FJOIN_RX_PUT xor SHIFTCTRL_FJOIN_RX_GET is set. | RW | 0x00000000 |

PIO: RXF1_PUTGET3 Register

Offset: 0x144

Table 1008.
RXF1_PUTGET3
Register

| Bits | Description | Type | Reset |
|------|--|------|------------|
| 31:0 | Direct read/write access to entry 3 of SM1's RX FIFO, if SHIFTCTRL_FJOIN_RX_PUT xor SHIFTCTRL_FJOIN_RX_GET is set. | RW | 0x00000000 |

PIO: RXF2_PUTGET0 Register

Offset: 0x148

Table 1009.
RXF2_PUTGET0
Register

| Bits | Description | Type | Reset |
|------|--|------|------------|
| 31:0 | Direct read/write access to entry 0 of SM2's RX FIFO, if SHIFTCTRL_FJOIN_RX_PUT xor SHIFTCTRL_FJOIN_RX_GET is set. | RW | 0x00000000 |

PIO: RXF2_PUTGET1 Register

Offset: 0x14c

Table 1010.
RXF2_PUTGET1
Register

| Bits | Description | Type | Reset |
|------|--|------|------------|
| 31:0 | Direct read/write access to entry 1 of SM2's RX FIFO, if SHIFTCTRL_FJOIN_RX_PUT xor SHIFTCTRL_FJOIN_RX_GET is set. | RW | 0x00000000 |

PIO: RXF2_PUTGET2 Register

Offset: 0x150

Table 1011.
RXF2_PUTGET2
Register

| Bits | Description | Type | Reset |
|------|--|------|------------|
| 31:0 | Direct read/write access to entry 2 of SM2's RX FIFO, if SHIFTCTRL_FJOIN_RX_PUT xor SHIFTCTRL_FJOIN_RX_GET is set. | RW | 0x00000000 |

PIO: RXF2_PUTGET3 Register

Offset: 0x154

Table 1012.
RXF2_PUTGET3
Register

| Bits | Description | Type | Reset |
|------|--|------|------------|
| 31:0 | Direct read/write access to entry 3 of SM2's RX FIFO, if SHIFTCTRL_FJOIN_RX_PUT xor SHIFTCTRL_FJOIN_RX_GET is set. | RW | 0x00000000 |

PIO: RXF3_PUTGET0 Register

Offset: 0x158

Table 1013.
RXF3_PUTGET0
Register

| Bits | Description | Type | Reset |
|------|--|------|------------|
| 31:0 | Direct read/write access to entry 0 of SM3's RX FIFO, if SHIFTCTRL_FJOIN_RX_PUT xor SHIFTCTRL_FJOIN_RX_GET is set. | RW | 0x00000000 |

PIO: RXF3_PUTGET1 Register

Offset: 0x15c

Table 1014.
RXF3_PUTGET1
Register

| Bits | Description | Type | Reset |
|------|--|------|------------|
| 31:0 | Direct read/write access to entry 1 of SM3's RX FIFO, if SHIFTCTRL_FJOIN_RX_PUT xor SHIFTCTRL_FJOIN_RX_GET is set. | RW | 0x00000000 |

PIO: RXF3_PUTGET2 Register

Offset: 0x160

Table 1015.
RXF3_PUTGET2
Register

| Bits | Description | Type | Reset |
|------|--|------|------------|
| 31:0 | Direct read/write access to entry 2 of SM3's RX FIFO, if SHIFTCTRL_FJOIN_RX_PUT xor SHIFTCTRL_FJOIN_RX_GET is set. | RW | 0x00000000 |

PIO: RXF3_PUTGET3 Register

Offset: 0x164

Table 1016.
RXF3_PUTGET3
Register

| Bits | Description | Type | Reset |
|------|--|------|------------|
| 31:0 | Direct read/write access to entry 3 of SM3's RX FIFO, if SHIFTCTRL_FJOIN_RX_PUT xor SHIFTCTRL_FJOIN_RX_GET is set. | RW | 0x00000000 |

PIO: GPIOBASE Register

Offset: 0x168

Table 1017.
GPIOBASE Register

| Bits | Description | Type | Reset |
|------|---|------|-------|
| 31:5 | Reserved. | - | - |
| 4 | Relocate GPIO 0 (from PIO's point of view) in the system GPIO numbering, to access more than 32 GPIOs from PIO. Only the values 0 and 16 are supported (only bit 4 is writable). | RW | 0x0 |
| 3:0 | Reserved. | - | - |

PIO: INTR Register

Offset: 0x16c

Description

Raw Interrupts

Table 1018. INTR
Register

| Bits | Description | Type | Reset |
|-------|-------------|------|-------|
| 31:16 | Reserved. | - | - |
| 15 | SM7 | RO | 0x0 |
| 14 | SM6 | RO | 0x0 |
| 13 | SM5 | RO | 0x0 |
| 12 | SM4 | RO | 0x0 |
| 11 | SM3 | RO | 0x0 |
| 10 | SM2 | RO | 0x0 |
| 9 | SM1 | RO | 0x0 |
| 8 | SM0 | RO | 0x0 |

| Bits | Description | Type | Reset |
|------|--------------|------|-------|
| 7 | SM3_TXNFULL | RO | 0x0 |
| 6 | SM2_TXNFULL | RO | 0x0 |
| 5 | SM1_TXNFULL | RO | 0x0 |
| 4 | SM0_TXNFULL | RO | 0x0 |
| 3 | SM3_RXNEMPTY | RO | 0x0 |
| 2 | SM2_RXNEMPTY | RO | 0x0 |
| 1 | SM1_RXNEMPTY | RO | 0x0 |
| 0 | SM0_RXNEMPTY | RO | 0x0 |

PIO: IRQ0_INTE Register

Offset: 0x170

Description

Interrupt Enable for irq0

Table 1019.
IRQ0_INTE Register

| Bits | Description | Type | Reset |
|-------|--------------|------|-------|
| 31:16 | Reserved. | - | - |
| 15 | SM7 | RW | 0x0 |
| 14 | SM6 | RW | 0x0 |
| 13 | SM5 | RW | 0x0 |
| 12 | SM4 | RW | 0x0 |
| 11 | SM3 | RW | 0x0 |
| 10 | SM2 | RW | 0x0 |
| 9 | SM1 | RW | 0x0 |
| 8 | SM0 | RW | 0x0 |
| 7 | SM3_TXNFULL | RW | 0x0 |
| 6 | SM2_TXNFULL | RW | 0x0 |
| 5 | SM1_TXNFULL | RW | 0x0 |
| 4 | SM0_TXNFULL | RW | 0x0 |
| 3 | SM3_RXNEMPTY | RW | 0x0 |
| 2 | SM2_RXNEMPTY | RW | 0x0 |
| 1 | SM1_RXNEMPTY | RW | 0x0 |
| 0 | SM0_RXNEMPTY | RW | 0x0 |

PIO: IRQ0_INTF Register

Offset: 0x174

Description

Interrupt Force for irq0

Table 1020.
IRQ0_INTF Register

| Bits | Description | Type | Reset |
|-------|--------------|------|-------|
| 31:16 | Reserved. | - | - |
| 15 | SM7 | RW | 0x0 |
| 14 | SM6 | RW | 0x0 |
| 13 | SM5 | RW | 0x0 |
| 12 | SM4 | RW | 0x0 |
| 11 | SM3 | RW | 0x0 |
| 10 | SM2 | RW | 0x0 |
| 9 | SM1 | RW | 0x0 |
| 8 | SM0 | RW | 0x0 |
| 7 | SM3_TXNFULL | RW | 0x0 |
| 6 | SM2_TXNFULL | RW | 0x0 |
| 5 | SM1_TXNFULL | RW | 0x0 |
| 4 | SM0_TXNFULL | RW | 0x0 |
| 3 | SM3_RXNEMPTY | RW | 0x0 |
| 2 | SM2_RXNEMPTY | RW | 0x0 |
| 1 | SM1_RXNEMPTY | RW | 0x0 |
| 0 | SM0_RXNEMPTY | RW | 0x0 |

PIO: IRQ0_INTS Register

Offset: 0x178

Description

Interrupt status after masking & forcing for irq0

Table 1021.
IRQ0_INTS Register

| Bits | Description | Type | Reset |
|-------|-------------|------|-------|
| 31:16 | Reserved. | - | - |
| 15 | SM7 | RO | 0x0 |
| 14 | SM6 | RO | 0x0 |
| 13 | SM5 | RO | 0x0 |
| 12 | SM4 | RO | 0x0 |
| 11 | SM3 | RO | 0x0 |
| 10 | SM2 | RO | 0x0 |
| 9 | SM1 | RO | 0x0 |
| 8 | SM0 | RO | 0x0 |
| 7 | SM3_TXNFULL | RO | 0x0 |
| 6 | SM2_TXNFULL | RO | 0x0 |
| 5 | SM1_TXNFULL | RO | 0x0 |
| 4 | SM0_TXNFULL | RO | 0x0 |

| Bits | Description | Type | Reset |
|------|--------------|------|-------|
| 3 | SM3_RXNEMPTY | RO | 0x0 |
| 2 | SM2_RXNEMPTY | RO | 0x0 |
| 1 | SM1_RXNEMPTY | RO | 0x0 |
| 0 | SM0_RXNEMPTY | RO | 0x0 |

PIO: IRQ1_INTE Register

Offset: 0x17c

Description

Interrupt Enable for irq1

Table 1022.
IRQ1_INTE Register

| Bits | Description | Type | Reset |
|-------|--------------|------|-------|
| 31:16 | Reserved. | - | - |
| 15 | SM7 | RW | 0x0 |
| 14 | SM6 | RW | 0x0 |
| 13 | SM5 | RW | 0x0 |
| 12 | SM4 | RW | 0x0 |
| 11 | SM3 | RW | 0x0 |
| 10 | SM2 | RW | 0x0 |
| 9 | SM1 | RW | 0x0 |
| 8 | SM0 | RW | 0x0 |
| 7 | SM3_TXNFULL | RW | 0x0 |
| 6 | SM2_TXNFULL | RW | 0x0 |
| 5 | SM1_TXNFULL | RW | 0x0 |
| 4 | SM0_TXNFULL | RW | 0x0 |
| 3 | SM3_RXNEMPTY | RW | 0x0 |
| 2 | SM2_RXNEMPTY | RW | 0x0 |
| 1 | SM1_RXNEMPTY | RW | 0x0 |
| 0 | SM0_RXNEMPTY | RW | 0x0 |

PIO: IRQ1_INTF Register

Offset: 0x180

Description

Interrupt Force for irq1

Table 1023.
IRQ1_INTF Register

| Bits | Description | Type | Reset |
|-------|-------------|------|-------|
| 31:16 | Reserved. | - | - |
| 15 | SM7 | RW | 0x0 |
| 14 | SM6 | RW | 0x0 |
| 13 | SM5 | RW | 0x0 |

| Bits | Description | Type | Reset |
|------|--------------|------|-------|
| 12 | SM4 | RW | 0x0 |
| 11 | SM3 | RW | 0x0 |
| 10 | SM2 | RW | 0x0 |
| 9 | SM1 | RW | 0x0 |
| 8 | SM0 | RW | 0x0 |
| 7 | SM3_TXNFULL | RW | 0x0 |
| 6 | SM2_TXNFULL | RW | 0x0 |
| 5 | SM1_TXNFULL | RW | 0x0 |
| 4 | SM0_TXNFULL | RW | 0x0 |
| 3 | SM3_RXNEMPTY | RW | 0x0 |
| 2 | SM2_RXNEMPTY | RW | 0x0 |
| 1 | SM1_RXNEMPTY | RW | 0x0 |
| 0 | SM0_RXNEMPTY | RW | 0x0 |

PIO: IRQ1_INTS Register

Offset: 0x184

Description

Interrupt status after masking & forcing for irq1

Table 1024.
IRQ1_INTS Register

| Bits | Description | Type | Reset |
|-------|--------------|------|-------|
| 31:16 | Reserved. | - | - |
| 15 | SM7 | RO | 0x0 |
| 14 | SM6 | RO | 0x0 |
| 13 | SM5 | RO | 0x0 |
| 12 | SM4 | RO | 0x0 |
| 11 | SM3 | RO | 0x0 |
| 10 | SM2 | RO | 0x0 |
| 9 | SM1 | RO | 0x0 |
| 8 | SM0 | RO | 0x0 |
| 7 | SM3_TXNFULL | RO | 0x0 |
| 6 | SM2_TXNFULL | RO | 0x0 |
| 5 | SM1_TXNFULL | RO | 0x0 |
| 4 | SM0_TXNFULL | RO | 0x0 |
| 3 | SM3_RXNEMPTY | RO | 0x0 |
| 2 | SM2_RXNEMPTY | RO | 0x0 |
| 1 | SM1_RXNEMPTY | RO | 0x0 |
| 0 | SM0_RXNEMPTY | RO | 0x0 |

Chapter 12. Peripherals

12.1. UART

Arm documentation

Excerpted from the [PrimeCell UART \(PL011\) Technical Reference Manual](#). Used with permission.

RP2350 has 2 identical instances of a UART peripheral, based on the Arm Primecell UART (PL011) (Revision r1p5).

Each instance supports the following features:

- Separate 32×8 TX and 32×12 RX FIFOs
- Programmable baud rate generator, clocked by `clk_peri` (see [Figure 33](#))
- Standard asynchronous communication bits (start, stop, parity) added on transmit and removed on receive
- Line break detection
- Programmable serial interface (5, 6, 7, or 8 bits)
- 1 or 2 stop bits
- Programmable hardware flow control

Each UART can be connected to a number of GPIO pins as defined in the GPIO muxing [table](#) in [Section 9.4](#). Connections to the GPIO muxing use a prefix including the UART instance name `uart0_` or `uart1_`, and include the following:

- Transmit data `tx` (referred to as `UARTTXD` in the following sections)
- Received data `rx` (referred to as `UARTRXD` in the following sections)
- Output flow control `rts` (referred to as `nUARTRTS` in the following sections)
- Input flow control `cts` (referred to as `nUARTCTS` in the following sections)

The modem mode and IrDA mode of the PL011 are not supported.

The `UARTCLK` is driven from `clk_peri`, and `PCLK` is driven from the system clock `clk_sys` (see [Figure 33](#)).

12.1.1. Overview

The UART performs:

- Serial-to-parallel conversion on data received from a peripheral device
- Parallel-to-serial conversion on data transmitted to the peripheral device

The CPU reads and writes data and control/status information through the AMBA APB interface. The transmit and receive paths are buffered with internal FIFO memories that store up to 32 bytes independently in both transmit and receive modes.

The UART:

- Includes a programmable baud rate generator that generates a common transmit and receive internal clock from the UART internal reference clock input, `UARTCLK`
- Offers similar functionality to the industry-standard 16C650 UART device
- Supports a maximum baud rate of `UARTCLK / 16` in UART mode (7.8 Mbaud at 125MHz)

The UART operation and baud rate values are controlled by the Line Control Register (`UARTLCR_H`) and the baud rate divisor registers: Integer Baud Rate Register (`UARTIBRD`), and Fractional Baud Rate Register (`UARTFBRD`).

The UART can generate:

- Individually maskable interrupts from the receive (including timeout), transmit, modem status and error conditions
- A single combined interrupt so that the output is asserted if any of the individual interrupts are asserted and unmasked
- DMA request signals for interfacing with a Direct Memory Access (DMA) controller

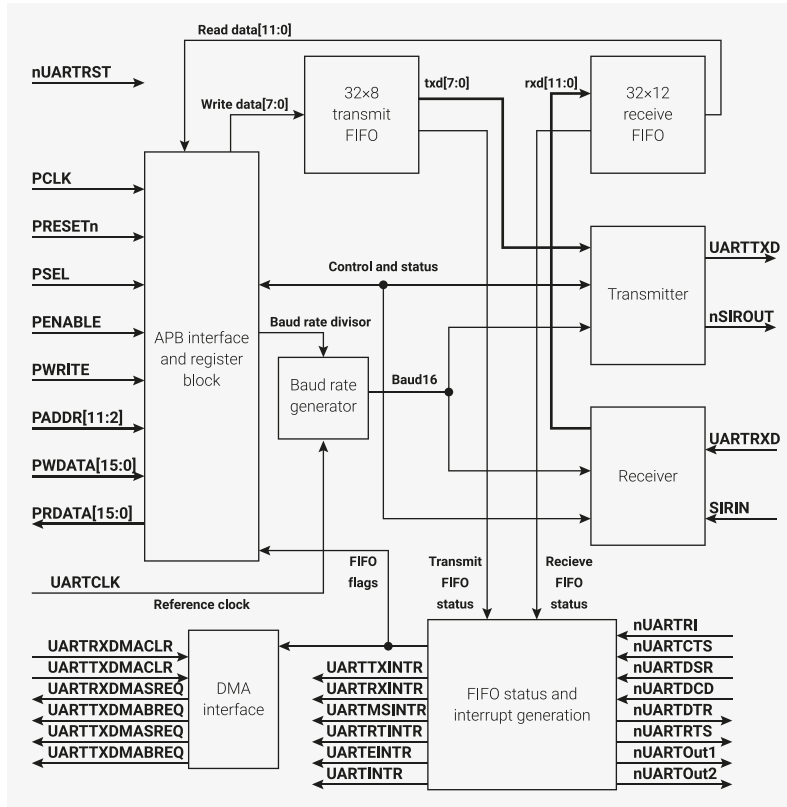
If a framing, parity, or break error occurs during reception, the appropriate error bit is set and stored in the FIFO. If an overrun condition occurs, the overrun register bit is set immediately and FIFO data is prevented from being overwritten.

You can program the FIFOs to be 1-byte deep providing a conventional double-buffered UART interface.

There is a programmable hardware flow control feature that uses the `nUARTCTS` input and the `nUARTRTS` output to automatically control the serial data flow.

12.1.2. Functional description

Figure 63. UART block diagram. Test logic is not shown for clarity.



12.1.2.1. AMBA APB interface

The AMBA APB interface generates read and write decodes for accesses to status/control registers, and the transmit and receive FIFOs.

12.1.2.2. Register block

The register block stores data written, or to be read across the AMBA APB interface.

12.1.2.3. Baud rate generator

The baud rate generator contains free-running counters that generate the internal clocks: Baud16 and IrLPBaud16 signals. Baud16 provides timing information for UART transmit and receive control. Baud16 is a stream of pulses with a width of one `UARTCLK` clock period and a frequency of 16 times the baud rate.

12.1.2.4. Transmit FIFO

The transmit FIFO is an 8-bit wide, 32 location deep, FIFO memory buffer. CPU data written across the APB interface is stored in the FIFO until read out by the transmit logic. When disabled, the transmit FIFO acts like a one byte holding register.

12.1.2.5. Receive FIFO

The receive FIFO is a 12-bit wide, 32 location deep, FIFO memory buffer. Received data and corresponding error bits are stored in the receive FIFO by the receive logic until read out by the CPU across the APB interface. When disabled, the receive FIFO acts like a one byte holding register.

12.1.2.6. Transmit logic

The transmit logic performs parallel-to-serial conversion on the data read from the transmit FIFO. Control logic outputs the serial bit stream in the following order:

1. Start bit
2. Data bits (Least Significant Bit (LSB) first)
3. Parity bit
4. Stop bits according to the programmed configuration in control registers

12.1.2.7. Receive logic

The receive logic performs serial-to-parallel conversion on the received bit stream after a valid start pulse has been detected. Receive logic includes overrun, parity, frame error checking, and line break detection; you can find the output of these checks in the status that accompanies the data written to the receive FIFO.

12.1.2.8. Interrupt generation logic

The UART generates individual maskable active HIGH interrupts to the processor interrupt controllers. To generate combined interrupts, the UART outputs an OR function of the individual interrupt requests.

For more information, see [Section 12.1.6](#).

12.1.2.9. DMA interface

The UART provides an interface to connect to the DMA controller as a UART DMA; for more information, see [Section 12.1.5](#).

12.1.2.10. Synchronizing registers and logic

The UART supports both asynchronous and synchronous operation of the clocks, `PCLK` and `UARTCLK`. The UART implements always-on synchronisation registers and handshaking logic. This has a minimal impact on performance and area. The UART performs control signal synchronisation on both directions of data flow (from the `PCLK` to the `UARTCLK` domain, and from the `UARTCLK` to the `PCLK` domain).

12.1.3. Operation

12.1.3.1. Clock signals

The frequency selected for `UARTCLK` must accommodate the required range of baud rates:

- $F_{UARTCLK}(\text{min}) \geq 16 \times \text{baud_rate}(\text{max})$
- $F_{UARTCLK}(\text{max}) \leq 16 \times 65535 \times \text{baud_rate}(\text{min})$

For example, for a range of baud rates from 110 baud to 460800 baud the `UARTCLK` frequency must be between 7.3728MHz to 115.34MHz.

To use all baud rates, the `UARTCLK` frequency must fall within the required error limits.

There is also a constraint on the ratio of clock frequencies for `PCLK` to `UARTCLK`. The frequency of `UARTCLK` must be no more than 5/3 times faster than the frequency of `PCLK`:

- $F_{UARTCLK} \leq 5/3 \times F_{PCLK}$

For example, in UART mode, to generate 921600 baud when `UARTCLK` is 14.7456MHz, `PCLK` must be greater than or equal to 8.85276MHz. This ensures that the UART has sufficient time to write the received data to the receive FIFO.

12.1.3.2. UART operation

Control data is written to the UART Line Control Register, `UARTLCR`. This register is 30 bits wide internally, but provides external access through the APB interface by writes to the following registers:

- `UARTLCR_H`, which defines the following:
 - transmission parameters
 - word length
 - buffer mode
 - number of transmitted stop bits
 - parity mode
 - break generation
- `UARTIBRD`, which defines the integer baud rate divider
- `UARTFBRD`, which defines the fractional baud rate divider

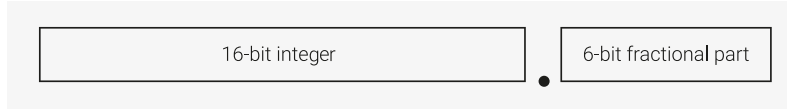
12.1.3.2.1. Fractional baud rate divider

The baud rate divisor is a 22-bit number consisting of a 16-bit integer and a 6-bit fractional part. The baud rate generator uses the baud rate divisor to determine the bit period. The fractional baud rate divider enables the use of any clock with a frequency greater than 3.6864MHz to act as `UARTCLK`, while it is still possible to generate all the standard baud rates.

The 16-bit integer is written to the Integer Baud Rate Register, `UARTIBRD`. The 6-bit fractional part is written to the Fractional Baud Rate Register, `UARTFBRD`. The Baud Rate Divisor has the following relationship to `UARTCLK`:

Baud Rate Divisor = $\text{UARTCLK}/(16 \times \text{Baud Rate}) = \text{BRD}_I + \text{BRD}_F$ where BRD_I is the integer part and BRD_F is the fractional part separated by a decimal point as shown in Figure 64.

Figure 64. Baud rate divisor.



To calculate the 6-bit number (m), multiply the fractional part of the required baud rate divisor by 64 (2^n , where n is the width of the `UARTFBRD` register) and add 0.5 to account for rounding errors:

$$m = \text{integer}(\text{BRD}_F \times 2^n + 0.5)$$

The UART generates an internal clock enable signal, Baud16. This is a stream of `UARTCLK`-wide pulses with an average frequency of 16 times the required baud rate. Divide this signal by 16 to give the transmit clock. A low number in the baud rate divisor produces a short bit period, and a high number in the baud rate divisor produces a long bit period.

12.1.3.2.2. Data transmission or reception

The UART uses two 32-byte FIFOs to store data received and transmitted. The receive FIFO has an extra four bits per character for status information. For transmission, data is written into the transmit FIFO. If the UART is enabled, it causes a data frame to start transmitting with the parameters indicated in the Line Control Register, `UARTLCR_H`. Data continues to be transmitted until there is no data left in the transmit FIFO. The `BUSY` signal goes HIGH immediately after data writes to the transmit FIFO (that is, the FIFO is non-empty) and remains asserted HIGH while data transmits. `BUSY` is negated only when the transmit FIFO is empty, and the last character has been transmitted from the shift register, including the stop bits. `BUSY` can be asserted HIGH even though the UART might no longer be enabled.

For each sample of data, three readings are taken and the majority value is kept. In the following paragraphs, the middle sampling point is defined, and one sample is taken either side of it.

When the receiver is idle (`UARTRXD` continuously 1, in the marking state) and a LOW is detected on the data input (a start bit has been received), the receive counter, with the clock enabled by Baud16, begins running and data is sampled on the eighth cycle of that counter in UART mode, or the fourth cycle of the counter in SIR mode to allow for the shorter logic 0 pulses (half way through a bit period).

The start bit is valid if `UARTRXD` is still LOW on the eighth cycle of Baud16, otherwise a false start bit is detected and it is ignored.

If the start bit was valid, successive data bits are sampled on every 16th cycle of Baud16 (that is, one bit period later) according to the programmed length of the data characters. The parity bit is then checked if parity mode was enabled.

Lastly, a valid stop bit is confirmed if `UARTRXD` is HIGH, otherwise a framing error has occurred. When a full word is received, the data is stored in the receive FIFO, with any error bits associated with that word

12.1.3.2.3. Error bits

The receive FIFO stores three error bits in bits 8 (framing), 9 (parity), and 10 (break), each associated with a particular character. An additional error bit, stored in bit 11 of the receive FIFO, indicates an overrun error.

12.1.3.2.4. Overrun bit

The overrun bit is not associated with the character in the receive FIFO. The overrun error is set when the FIFO is full and the next character is completely received in the shift register. The data in the shift register is overwritten, but it is not written into the FIFO. When an empty location becomes available in the FIFO, another character is received and the state of the overrun bit is copied into the receive FIFO along with the received character. The overrun state is then cleared. [Table 1025](#) lists the bit functions of the receive FIFO.

Table 1025. Receive FIFO bit functions

| FIFO bit | Function |
|----------|-------------------|
| 11 | Overrun indicator |
| 10 | Break error |
| 9 | Parity error |
| 8 | Framing error |
| 7:0 | Received data |

12.1.3.2.5. Disabling the FIFOs

The bottom entry of the transmit and receive sides of the UART both have the equivalent of a 1-byte holding register. You can manipulate flags to disable the FIFOs, allowing you to use the bottom entry of the FIFOs as a 1-byte register. However, this doesn't physically disable the FIFOs. When using the FIFOs as a 1-byte register, a write to the data register bypasses the holding register unless the transmit shift register is already in use.

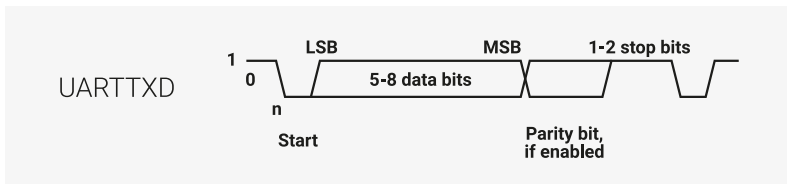
12.1.3.2.6. System and diagnostic loopback testing

To perform loopback testing for UART data, set the Loop Back Enable (LBE) bit to 1 in the Control Register, `UARTCR`.

Data transmitted on `UARTTXD` is received on the `UARTRXD` input.

12.1.3.3. UART character frame

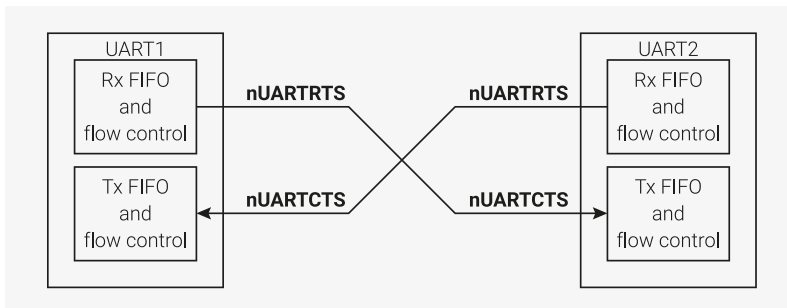
Figure 65. UART character frame.



12.1.4. UART hardware flow control

The fully-selectable hardware flow control feature enables you to control the serial data flow with the `nUARTRTS` output and `nUARTCTS` input signals. Figure 66 shows how to communicate between two devices using hardware flow control:

Figure 66. Hardware flow control between two similar devices.



When the RTS flow control is enabled, `nUARTRTS` is asserted until the receive FIFO is filled up to the programmed watermark level. When the CTS flow control is enabled, the transmitter can only transmit data when `nUARTCTS` is asserted.

The hardware flow control is selectable using the `RTSEn` and `CTSEn` bits in the Control Register, `UARTCR`. Table 1026 shows how to configure `UARTCR` register bits to enable RTS and/or CTS.

Table 1026. Control bits to enable and disable hardware flow control.

| UARTCR register bits | | |
|----------------------|-------|--|
| CTSEn | RTSEn | Description |
| 1 | 1 | Both RTS and CTS flow control enabled |
| 1 | 0 | Only CTS flow control enabled |
| 0 | 1 | Only RTS flow control enabled |
| 0 | 0 | Both RTS and CTS flow control disabled |

NOTE

When RTS flow control is enabled, the software cannot use the RTSEn bit in the Control Register (UARTCR) to control the status of nUARTRTS.

12.1.4.1. RTS flow control

The RTS flow control logic is linked to the programmable receive FIFO watermark levels.

When RTS flow control is disabled, the receive FIFO receives data until full, or no more data is transmitted to it.

When RTS flow control is enabled, the nUARTRTS is asserted until the receive FIFO fills up to the watermark level. When the receive FIFO reaches the watermark level, the nUARTRTS signal is de-asserted. This indicates that the FIFO has no more room to receive data. The transmission of data is expected to cease after the current character has been transmitted. When the receive FIFO drains below the watermark level, the nUARTRTS signal is reasserted.

12.1.4.2. CTS flow control

The CTS flow control logic is linked to the nUARTCTS signal.

When CTS flow control is disabled, the transmitter transmits data until the transmit FIFO is empty.

When CTS flow control is enabled, the transmitter checks the nUARTCTS signal before transmitting each byte. It only transmits the byte if the nUARTCTS signal is asserted. As long as the transmit FIFO is not empty and nUARTCTS is asserted, data continues to transmit. If the transmit FIFO is empty and the nUARTCTS signal is asserted, no data is transmitted. If the nUARTCTS signal is de-asserted during transmission, the transmitter finishes transmitting the current character before stopping.

12.1.5. UART DMA interface

The UART provides an interface to connect to a DMA controller. The DMA operation of the UART is controlled using the DMA Control Register, UARTRDMACR. The DMA interface includes the following signals:

For receive:

UARTRXDMASREQ

Single character DMA transfer request, asserted by the UART. For receive, one character consists of up to 12 bits. This signal is asserted when the receive FIFO contains at least one character.

UARTRXDMABREQ

Burst DMA transfer request, asserted by the UART. This signal is asserted when the receive FIFO contains more characters than the programmed watermark level. You can program the watermark level for each FIFO using the Interrupt FIFO Level Select Register (UARTIFLS).

UARTRDMACLR

DMA request clear, asserted by a DMA controller to clear the receive request signals. If DMA burst transfer is requested, the clear signal is asserted during the transfer of the last data in the burst.

For transmit:

UARTTXDMASREQ

Single character DMA transfer request, asserted by the UART. For transmit, one character consists of up to eight bits. This signal is asserted when there is at least one empty location in the transmit FIFO.

UARTTXDMABREQ

Burst DMA transfer request, asserted by the UART. This signal is asserted when the transmit FIFO contains less characters than the watermark level. You can program the watermark level for each FIFO using the Interrupt FIFO Level Select Register (**UARTIFLS**).

UARTTXDMACLR

DMA request clear, asserted by a DMA controller to clear the transmit request signals. If DMA burst transfer is requested, the clear signal is asserted during the transfer of the last data in the burst.

The burst transfer and single transfer request signals are not mutually exclusive: they can both be asserted at the same time. When the receive FIFO exceeds the watermark level, the burst transfer request and the single transfer request signals are both asserted. When the receive FIFO is below than the watermark level, only the single transfer request signal is asserted. This is useful in situations where the number of characters left to be received in the stream is less than a burst.

Consider a scenario where the watermark level is set to four, but 19 characters are left to be received. The DMA controller then transfers four bursts of four characters and three single transfers to complete the stream.

NOTE

For the remaining three characters, the UART cannot assert the burst request.

Each request signal remains asserted until the relevant DMACLR signal is asserted. After the request clear signal is de-asserted, a request signal can become active again, depending on the conditions described previously. All request signals are de-asserted if the UART is disabled or the relevant DMA enable bit, **TXDMAE** or **RXDMAE**, in the DMA Control Register, **UARTDMACR**, is cleared.

If you disable the FIFOs in the UART, it operates in character mode. Character mode limits FIFO transfers to a single character at a time, so only the DMA single transfer mode can operate. In character mode, only the **UARTRXDMASREQ** and **UARTTXDMASREQ** request signals can be asserted. For information about disabling the FIFOs, see the Line Control Register, **UARTLCR_H**.

When the UART is in the FIFO enabled mode, data transfers can use either single or burst transfers depending on the programmed watermark level and the amount of data in the FIFO. [Table 1027](#) lists the trigger points for **UARTRXDMABREQ** and **UARTTXDMABREQ**, depending on the watermark level, for the transmit and receive FIFOs.

Table 1027. DMA trigger points for the transmit and receive FIFOs.

| Watermark level | Burst length | |
|-----------------|--------------------------------------|--------------------------------------|
| | Transmit (number of empty locations) | Receive (number of filled locations) |
| 1/8 | 28 | 4 |
| 1/4 | 24 | 8 |
| 1/2 | 16 | 16 |
| 3/4 | 8 | 24 |
| 7/8 | 4 | 28 |

In addition, the **DMAONERR** bit in the DMA Control Register, **UARTDMACR**, supports the use of the receive error interrupt,

UARTEINTR. It enables the DMA receive request outputs, **UARTRXDMASREQ** or **UARTRXDMABREQ**, to be masked out when the UART error interrupt, **UARTEINTR**, is asserted. The DMA receive request outputs remain inactive until the **UARTEINTR** is cleared. The DMA transmit request outputs are unaffected.

Figure 67. DMA transfer waveforms.

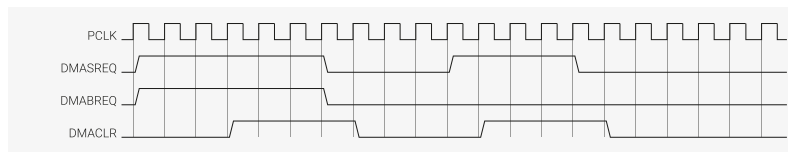


Figure 67 shows the timing diagram for both a single transfer request and a burst transfer request with the appropriate **DMACLR** signal. The signals are all synchronous to PCLK. For the sake of clarity it is assumed that there is no synchronization of the request signals in the DMA controller.

12.1.6. Interrupts

There are eleven maskable interrupts generated in the UART. On RP2350, only the combined interrupt output, **UARTINTR**, is connected.

To enable or disable individual interrupts, change the mask bits in the Interrupt Mask Set/Clear Register, **UARTIMSC**. Set the appropriate mask bit HIGH to enable the interrupt.

The transmit and receive dataflow interrupts **UARTRXINTR** and **UARTTXINTR** have been separated from the status interrupts. This enables you to use **UARTRXINTR** and **UARTTXINTR** to read or write data in response to FIFO trigger levels.

The error interrupt, **UARTEINTR**, can be triggered when there is an error in the reception of data. A number of error conditions are possible.

The modem status interrupt, **UARTMSINTR**, is a combined interrupt of all the individual modem status signals.

The status of the individual interrupt sources can be read either from the Raw Interrupt Status Register, **UARTRIS**, or from the Masked Interrupt Status Register, **UARTMIS**.

12.1.6.1. UARTMSINTR

The modem status interrupt is asserted if any of the modem status signals (**nUARTCTS**, **nUARTDCD**, **nUARTDSR**, and **nUARTRI**) change. To clear the modem status interrupt, write a 1 to the bits corresponding to the modem status signals that generated the interrupt in the Interrupt Clear Register (**UARTICR**).

12.1.6.2. UARTRXINTR

The receive interrupt changes state when one of the following events occurs:

- The FIFOs are enabled and the receive FIFO reaches the programmed trigger level. This asserts the receive interrupt HIGH. To clear the receive interrupt, read data from the receive FIFO until it drops below the trigger level.
- The FIFOs are disabled (have a depth of one location) and data is received, thereby filling the receive FIFO. This asserts the receive interrupt HIGH. To clear the receive interrupt, perform a single read from the receive FIFO.

In both cases, you can also clear the interrupt manually.

12.1.6.3. UARTTXINTR

The transmit interrupt changes state when one of the following events occurs:

- The FIFOs are enabled and the transmit FIFO is equal to or lower than the programmed trigger level. This asserts the transmit interrupt HIGH. To clear the transmit interrupt, write data to the transmit FIFO until it exceeds the

trigger level.

- The FIFOs are disabled (have a depth of one location) and there is no data present in the transmit FIFO. This asserts the transmit interrupt HIGH. To clear the transmit interrupt, perform a single write to the transmit FIFO.

In both cases, you can also clear the interrupt manually.

To update the transmit FIFO, write data to the transmit FIFO before or after enabling the UART and the interrupts.

i NOTE

The transmit interrupt is based on a transition through a level, rather than on the level itself. When the interrupt and the UART is enabled before any data is written to the transmit FIFO, the interrupt is not set. The interrupt is only set after written data leaves the single location of the transmit FIFO and it becomes empty.

12.1.6.4. **UARTINTR**

The receive timeout interrupt is asserted when the receive FIFO is not empty and no more data is received during a 32-bit period.

The receive timeout interrupt is cleared in the following scenarios:

- the FIFO becomes empty through reading all the data or by reading the holding register
- a 1 is written to the corresponding bit of the Interrupt Clear Register, **UARTICR**

12.1.6.5. **UARTEINTR**

The error interrupt is asserted when an error occurs in the reception of data by the UART. The interrupt can be caused by a number of different error conditions:

- framing
- parity
- break
- overrun

To determine the cause of the interrupt, read the Raw Interrupt Status Register (**UARTIS**) or the Masked Interrupt Status Register (**UARTMIS**). To clear the interrupt, write to the relevant bits of the Interrupt Clear Register, **UARTICR** (bits 7 to 10 are the error clear bits).

12.1.6.6. **UARTINTR**

The interrupts are also combined into a single output, that is an OR function of the individual masked sources. You can connect this output to a system interrupt controller to provide another level of masking on a individual peripheral basis.

The combined UART interrupt is asserted if any of the individual interrupts are asserted and enabled.

12.1.7. Programmer's model

The SDK provides a `uart_init` function to configure the UART with a particular baud rate. Once the UART is initialised, the user must configure a GPIO pin as **UART_TX** and **UART_RX**. See [Section 9.10.1](#) for more information on selecting a GPIO function.

To initialise the UART, the `uart_init` function takes the following steps:

1. De-asserts the reset

2. Enables `clk_peri`
3. Sets enable bits in the control register
4. Enables the FIFOs
5. Sets the baud rate divisors
6. Sets the format

SDK: https://github.com/raspberrypi/pico-sdk/blob/master/src/rp2_common/hardware_uart/uart.c Lines 42 - 92

```

42 uint uart_init(uart_inst_t *uart, uint baudrate) {
43     invalid_params_if(HARDWARE_UART, uart != uart0 && uart != uart1);
44
45     if (uart_clock_get_hz(uart) == 0) {
46         return 0;
47     }
48
49     uart_reset(uart);
50     uart_unreset(uart);
51
52     uart_set_translate_crlf(uart, PICO_UART_DEFAULT_CRLF);
53
54     // Any LCR writes need to take place before enabling the UART
55     uint baud = uart_set_baudrate(uart, baudrate);
56
57     // inline the uart_set_format() call, as we don't need the CR disable/re-enable
58     // protection, and also many people will never call it again, so having
59     // the generic function is not useful, and much bigger than this inlined
60     // code which is only a handful of instructions.
61     //
62     // The UART_UARTLCR_H_FEN_BITS setting is combined as well as it is the same register
63 #ifdef 0
64     uart_set_format(uart, 8, 1, UART_PARITY_NONE);
65     // Enable FIFOs (must be before setting URTEN, as this is an LCR access)
66     hw_set_bits(&uart_get_hw(uart)->lcr_h, UART_UARTLCR_H_FEN_BITS);
67 #else
68     uint data_bits = 8;
69     uint stop_bits = 1;
70     uint parity = UART_PARITY_NONE;
71     hw_write_masked(&uart_get_hw(uart)->lcr_h,
72         ((data_bits - 5u) << UART_UARTLCR_H_WLEN_LSB) |
73         ((stop_bits - 1u) << UART_UARTLCR_H_STP2_LSB) |
74         (bool_to_bit(parity != UART_PARITY_NONE) << UART_UARTLCR_H_PEN_LSB) |
75         (bool_to_bit(parity == UART_PARITY_EVEN) << UART_UARTLCR_H_EPS_LSB) |
76         UART_UARTLCR_H_FEN_BITS,
77         UART_UARTLCR_H_WLEN_BITS | UART_UARTLCR_H_STP2_BITS |
78         UART_UARTLCR_H_PEN_BITS | UART_UARTLCR_H_EPS_BITS |
79         UART_UARTLCR_H_FEN_BITS);
80 #endif
81
82     // Enable the UART, both TX and RX
83     uart_get_hw(uart)->cr = UART_UARTCR_UARTEN_BITS | UART_UARTCR_TXE_BITS |
UART_UARTCR_RXE_BITS;
84     // Always enable DREQ signals -- no harm in this if DMA is not listening
85     uart_get_hw(uart)->dmacr = UART_UARTDMACR_TXDMAE_BITS | UART_UARTDMACR_RXDMAE_BITS;
86
87     return baud;
88 }

```

12.1.7.1. Baud rate calculation

The UART baud rate is derived from dividing `clk_peri`.

If the required baud rate is 115200 and UARTCLK = 125MHz then:

$$\text{Baud Rate Divisor} = (125 \times 10^6) / (16 \times 115200) \approx 67.817$$

Therefore, BRDI = 67 and BRDF = 0.817,

Therefore, fractional part, m = integer((0.817 × 64) + 0.5) = 52

$$\text{Generated baud rate divider} = 67 + 52/64 = 67.8125$$

$$\text{Generated baud rate} = (125 \times 10^6) / (16 \times 67.8125) \approx 115207$$

$$\text{Error} = (\text{abs}(115200 - 115207) / 115200) \times 100 \approx 0.006\%$$

SDK: https://github.com/raspberrypi/pico-sdk/blob/master/src/tp2_common/hardware_uart/uart.c Lines 155 - 180

```

155 uint uart_set_baudrate(uart_inst_t *uart, uint baudrate) {
156     invalid_params_if(HARDWARE_UART, baudrate == 0);
157     uint32_t baud_rate_div = (8 * uart_clock_get_hz(uart) / baudrate) + 1;
158     uint32_t baud_ibrd = baud_rate_div >> 7;
159     uint32_t baud_fbrd;
160
161     if (baud_ibrd == 0) {
162         baud_ibrd = 1;
163         baud_fbrd = 0;
164     } else if (baud_ibrd >= 65535) {
165         baud_ibrd = 65535;
166         baud_fbrd = 0;
167     } else {
168         baud_fbrd = (baud_rate_div & 0x7f) >> 1;
169     }
170
171     uart_get_hw(uart)->ibrd = baud_ibrd;
172     uart_get_hw(uart)->fbrd = baud_fbrd;
173
174     // PL011 needs a (dummy) LCR_H write to latch in the divisors.
175     // We don't want to actually change LCR_H contents here.
176     uart_write_lcr_bits_masked(uart, 0, 0);
177
178     // See datasheet
179     return (4 * uart_clock_get_hz(uart)) / (64 * baud_ibrd + baud_fbrd);
180 }

```

12.1.8. List of registers

The UART0 and UART1 registers start at base addresses of `0x40070000` and `0x40078000` respectively (defined as `UART0_BASE` and `UART1_BASE` in SDK).

Table 1028. List of UART registers

| Offset | Name | Info |
|--------|--------------------------|---|
| 0x000 | UARTDR | Data Register, UARTDR |
| 0x004 | UARTRSR | Receive Status Register/Error Clear Register, UARTRSR/UARTECR |
| 0x018 | UARTFR | Flag Register, UARTFR |
| 0x020 | UARTILPR | IrDA Low-Power Counter Register, UARTILPR |

| Offset | Name | Info |
|--------|---------------|--|
| 0x024 | UARTIBRD | Integer Baud Rate Register, UARTIBRD |
| 0x028 | UARTFBRD | Fractional Baud Rate Register, UARTFBRD |
| 0x02c | UARTLCR_H | Line Control Register, UARTLCR_H |
| 0x030 | UARTCR | Control Register, UARTCR |
| 0x034 | UARTIFLS | Interrupt FIFO Level Select Register, UARTIFLS |
| 0x038 | UARTIMSC | Interrupt Mask Set/Clear Register, UARTIMSC |
| 0x03c | UARTRIS | Raw Interrupt Status Register, UARTRIS |
| 0x040 | UARTMIS | Masked Interrupt Status Register, UARTMIS |
| 0x044 | UARTICR | Interrupt Clear Register, UARTICR |
| 0x048 | UARTDMACR | DMA Control Register, UARTDMACR |
| 0xfe0 | UARTPERIPHID0 | UARTPeriphID0 Register |
| 0xfe4 | UARTPERIPHID1 | UARTPeriphID1 Register |
| 0xfe8 | UARTPERIPHID2 | UARTPeriphID2 Register |
| 0xfec | UARTPERIPHID3 | UARTPeriphID3 Register |
| 0xff0 | UARTPCELLID0 | UARTPCellID0 Register |
| 0xff4 | UARTPCELLID1 | UARTPCellID1 Register |
| 0xff8 | UARTPCELLID2 | UARTPCellID2 Register |
| 0xffc | UARTPCELLID3 | UARTPCellID3 Register |

UART: UARTDR Register

Offset: 0x000

Description

Data Register, UARTDR

Table 1029. UARTDR Register

| Bits | Description | Type | Reset |
|-------|--|------|-------|
| 31:12 | Reserved. | - | - |
| 11 | OE: Overrun error. This bit is set to 1 if data is received and the receive FIFO is already full. This is cleared to 0 once there is an empty space in the FIFO and a new character can be written to it. | RO | - |
| 10 | BE: Break error. This bit is set to 1 if a break condition was detected, indicating that the received data input was held LOW for longer than a full-word transmission time (defined as start, data, parity and stop bits). In FIFO mode, this error is associated with the character at the top of the FIFO. When a break occurs, only one 0 character is loaded into the FIFO. The next character is only enabled after the receive data input goes to a 1 (marking state), and the next valid start bit is received. | RO | - |
| 9 | PE: Parity error. When set to 1, it indicates that the parity of the received data character does not match the parity that the EPS and SPS bits in the Line Control Register, UARTLCR_H. In FIFO mode, this error is associated with the character at the top of the FIFO. | RO | - |

| Bits | Description | Type | Reset |
|------|--|------|-------|
| 8 | FE: Framing error. When set to 1, it indicates that the received character did not have a valid stop bit (a valid stop bit is 1). In FIFO mode, this error is associated with the character at the top of the FIFO. | RO | - |
| 7:0 | DATA: Receive (read) data character. Transmit (write) data character. | RWF | - |

UART: UARTSR Register

Offset: 0x004

Description

Receive Status Register/Error Clear Register, UARTSR/UARTECR

Table 1030. UARTSR Register

| Bits | Description | Type | Reset |
|------|---|------|-------|
| 31:4 | Reserved. | - | - |
| 3 | OE: Overrun error. This bit is set to 1 if data is received and the FIFO is already full. This bit is cleared to 0 by a write to UARTECR. The FIFO contents remain valid because no more data is written when the FIFO is full, only the contents of the shift register are overwritten. The CPU must now read the data, to empty the FIFO. | WC | 0x0 |
| 2 | BE: Break error. This bit is set to 1 if a break condition was detected, indicating that the received data input was held LOW for longer than a full-word transmission time (defined as start, data, parity, and stop bits). This bit is cleared to 0 after a write to UARTECR. In FIFO mode, this error is associated with the character at the top of the FIFO. When a break occurs, only one 0 character is loaded into the FIFO. The next character is only enabled after the receive data input goes to a 1 (marking state) and the next valid start bit is received. | WC | 0x0 |
| 1 | PE: Parity error. When set to 1, it indicates that the parity of the received data character does not match the parity that the EPS and SPS bits in the Line Control Register, UARTECR_H. This bit is cleared to 0 by a write to UARTECR. In FIFO mode, this error is associated with the character at the top of the FIFO. | WC | 0x0 |
| 0 | FE: Framing error. When set to 1, it indicates that the received character did not have a valid stop bit (a valid stop bit is 1). This bit is cleared to 0 by a write to UARTECR. In FIFO mode, this error is associated with the character at the top of the FIFO. | WC | 0x0 |

UART: UARTFR Register

Offset: 0x018

Description

Flag Register, UARTFR

Table 1031. UARTFR Register

| Bits | Description | Type | Reset |
|------|---|------|-------|
| 31:9 | Reserved. | - | - |
| 8 | RI: Ring indicator. This bit is the complement of the UART ring indicator, nUARTRI, modem status input. That is, the bit is 1 when nUARTRI is LOW. | RO | - |

| Bits | Description | Type | Reset |
|------|--|------|-------|
| 7 | TXFE : Transmit FIFO empty. The meaning of this bit depends on the state of the FEN bit in the Line Control Register, UARTLCR_H. If the FIFO is disabled, this bit is set when the transmit holding register is empty. If the FIFO is enabled, the TXFE bit is set when the transmit FIFO is empty. This bit does not indicate if there is data in the transmit shift register. | RO | 0x1 |
| 6 | RXFF : Receive FIFO full. The meaning of this bit depends on the state of the FEN bit in the UARTLCR_H Register. If the FIFO is disabled, this bit is set when the receive holding register is full. If the FIFO is enabled, the RXFF bit is set when the receive FIFO is full. | RO | 0x0 |
| 5 | TXFF : Transmit FIFO full. The meaning of this bit depends on the state of the FEN bit in the UARTLCR_H Register. If the FIFO is disabled, this bit is set when the transmit holding register is full. If the FIFO is enabled, the TXFF bit is set when the transmit FIFO is full. | RO | 0x0 |
| 4 | RXFE : Receive FIFO empty. The meaning of this bit depends on the state of the FEN bit in the UARTLCR_H Register. If the FIFO is disabled, this bit is set when the receive holding register is empty. If the FIFO is enabled, the RXFE bit is set when the receive FIFO is empty. | RO | 0x1 |
| 3 | BUSY : UART busy. If this bit is set to 1, the UART is busy transmitting data. This bit remains set until the complete byte, including all the stop bits, has been sent from the shift register. This bit is set as soon as the transmit FIFO becomes non-empty, regardless of whether the UART is enabled or not. | RO | 0x0 |
| 2 | DCD : Data carrier detect. This bit is the complement of the UART data carrier detect, nUARTDCD, modem status input. That is, the bit is 1 when nUARTDCD is LOW. | RO | - |
| 1 | DSR : Data set ready. This bit is the complement of the UART data set ready, nUARTDSR, modem status input. That is, the bit is 1 when nUARTDSR is LOW. | RO | - |
| 0 | CTS : Clear to send. This bit is the complement of the UART clear to send, nUARTCTS, modem status input. That is, the bit is 1 when nUARTCTS is LOW. | RO | - |

UART: UARTILPR Register

Offset: 0x020

Description

IrDA Low-Power Counter Register, UARTILPR

Table 1032. UARTILPR Register

| Bits | Description | Type | Reset |
|------|---|------|-------|
| 31:8 | Reserved. | - | - |
| 7:0 | ILPDVSR : 8-bit low-power divisor value. These bits are cleared to 0 at reset. | RW | 0x00 |

UART: UARTIBRD Register

Offset: 0x024

Description

Integer Baud Rate Register, UARTIBRD

Table 1033. UARTIBRD Register

| Bits | Description | Type | Reset |
|-------|-------------|------|-------|
| 31:16 | Reserved. | - | - |

| Bits | Description | Type | Reset |
|------|---|------|--------|
| 15:0 | BAUD_DIVINT : The integer baud rate divisor. These bits are cleared to 0 on reset. | RW | 0x0000 |

UART: UARTFBRD Register

Offset: 0x028

Description

Fractional Baud Rate Register, UARTFBRD

Table 1034.
UARTFBRD Register

| Bits | Description | Type | Reset |
|------|---|------|-------|
| 31:6 | Reserved. | - | - |
| 5:0 | BAUD_DIVFRAC : The fractional baud rate divisor. These bits are cleared to 0 on reset. | RW | 0x00 |

UART: UARTLCR_H Register

Offset: 0x02c

Description

Line Control Register, UARTLCR_H

Table 1035.
UARTLCR_H Register

| Bits | Description | Type | Reset |
|------|--|------|-------|
| 31:8 | Reserved. | - | - |
| 7 | SPS : Stick parity select. 0 = stick parity is disabled 1 = either: * if the EPS bit is 0 then the parity bit is transmitted and checked as a 1 * if the EPS bit is 1 then the parity bit is transmitted and checked as a 0. This bit has no effect when the PEN bit disables parity checking and generation. | RW | 0x0 |
| 6:5 | WLEN : Word length. These bits indicate the number of data bits transmitted or received in a frame as follows: b11 = 8 bits b10 = 7 bits b01 = 6 bits b00 = 5 bits. | RW | 0x0 |
| 4 | FEN : Enable FIFOs: 0 = FIFOs are disabled (character mode) that is, the FIFOs become 1-byte-deep holding registers 1 = transmit and receive FIFO buffers are enabled (FIFO mode). | RW | 0x0 |
| 3 | STP2 : Two stop bits select. If this bit is set to 1, two stop bits are transmitted at the end of the frame. The receive logic does not check for two stop bits being received. | RW | 0x0 |
| 2 | EPS : Even parity select. Controls the type of parity the UART uses during transmission and reception: 0 = odd parity. The UART generates or checks for an odd number of 1s in the data and parity bits. 1 = even parity. The UART generates or checks for an even number of 1s in the data and parity bits. This bit has no effect when the PEN bit disables parity checking and generation. | RW | 0x0 |
| 1 | PEN : Parity enable: 0 = parity is disabled and no parity bit added to the data frame 1 = parity checking and generation is enabled. | RW | 0x0 |
| 0 | BRK : Send break. If this bit is set to 1, a low-level is continually output on the UARTTXD output, after completing transmission of the current character. For the proper execution of the break command, the software must set this bit for at least two complete frames. For normal use, this bit must be cleared to 0. | RW | 0x0 |

UART: UARTCR Register

Offset: 0x030

Description

Control Register, UARTCR

Table 1036. UARTCR Register

| Bits | Description | Type | Reset |
|-------|---|------|-------|
| 31:16 | Reserved. | - | - |
| 15 | CTSEN : CTS hardware flow control enable. If this bit is set to 1, CTS hardware flow control is enabled. Data is only transmitted when the nUARTCTS signal is asserted. | RW | 0x0 |
| 14 | RTSEN : RTS hardware flow control enable. If this bit is set to 1, RTS hardware flow control is enabled. Data is only requested when there is space in the receive FIFO for it to be received. | RW | 0x0 |
| 13 | OUT2 : This bit is the complement of the UART Out2 (nUARTOut2) modem status output. That is, when the bit is programmed to a 1, the output is 0. For DTE this can be used as Ring Indicator (RI). | RW | 0x0 |
| 12 | OUT1 : This bit is the complement of the UART Out1 (nUARTOut1) modem status output. That is, when the bit is programmed to a 1 the output is 0. For DTE this can be used as Data Carrier Detect (DCD). | RW | 0x0 |
| 11 | RTS : Request to send. This bit is the complement of the UART request to send, nUARTRTS, modem status output. That is, when the bit is programmed to a 1 then nUARTRTS is LOW. | RW | 0x0 |
| 10 | DTR : Data transmit ready. This bit is the complement of the UART data transmit ready, nUARTDTR, modem status output. That is, when the bit is programmed to a 1 then nUARTDTR is LOW. | RW | 0x0 |
| 9 | RXE : Receive enable. If this bit is set to 1, the receive section of the UART is enabled. Data reception occurs for either UART signals or SIR signals depending on the setting of the SIREN bit. When the UART is disabled in the middle of reception, it completes the current character before stopping. | RW | 0x1 |
| 8 | TXE : Transmit enable. If this bit is set to 1, the transmit section of the UART is enabled. Data transmission occurs for either UART signals, or SIR signals depending on the setting of the SIREN bit. When the UART is disabled in the middle of transmission, it completes the current character before stopping. | RW | 0x1 |
| 7 | LBE : Loopback enable. If this bit is set to 1 and the SIREN bit is set to 1 and the SIRTEST bit in the Test Control Register, UARTTCR is set to 1, then the nSIROUT path is inverted, and fed through to the SIRIN path. The SIRTEST bit in the test register must be set to 1 to override the normal half-duplex SIR operation. This must be the requirement for accessing the test registers during normal operation, and SIRTEST must be cleared to 0 when loopback testing is finished. This feature reduces the amount of external coupling required during system test. If this bit is set to 1, and the SIRTEST bit is set to 0, the UARTTXD path is fed through to the UARTRXD path. In either SIR mode or UART mode, when this bit is set, the modem outputs are also fed through to the modem inputs. This bit is cleared to 0 on reset, to disable loopback. | RW | 0x0 |
| 6:3 | Reserved. | - | - |

| Bits | Description | Type | Reset |
|------|--|------|-------|
| 2 | SIRLP : SIR low-power IrDA mode. This bit selects the IrDA encoding mode. If this bit is cleared to 0, low-level bits are transmitted as an active high pulse with a width of 3 / 16th of the bit period. If this bit is set to 1, low-level bits are transmitted with a pulse width that is 3 times the period of the IrLPBaud16 input signal, regardless of the selected bit rate. Setting this bit uses less power, but might reduce transmission distances. | RW | 0x0 |
| 1 | SIREN : SIR enable: 0 = IrDA SIR ENDEC is disabled. nSIRROUT remains LOW (no light pulse generated), and signal transitions on SIRIN have no effect. 1 = IrDA SIR ENDEC is enabled. Data is transmitted and received on nSIRROUT and SIRIN. UARTRXD remains HIGH, in the marking state. Signal transitions on UARTRXD or modem status inputs have no effect. This bit has no effect if the UARTEN bit disables the UART. | RW | 0x0 |
| 0 | UARTEN : UART enable: 0 = UART is disabled. If the UART is disabled in the middle of transmission or reception, it completes the current character before stopping. 1 = the UART is enabled. Data transmission and reception occurs for either UART signals or SIR signals depending on the setting of the SIREN bit. | RW | 0x0 |

UART: UARTIFLS Register

Offset: 0x034

Description

Interrupt FIFO Level Select Register, UARTIFLS

Table 1037. UARTIFLS Register

| Bits | Description | Type | Reset |
|------|--|------|-------|
| 31:6 | Reserved. | - | - |
| 5:3 | RXIFLSEL : Receive interrupt FIFO level select. The trigger points for the receive interrupt are as follows: b000 = Receive FIFO becomes >= 1 / 8 full b001 = Receive FIFO becomes >= 1 / 4 full b010 = Receive FIFO becomes >= 1 / 2 full b011 = Receive FIFO becomes >= 3 / 4 full b100 = Receive FIFO becomes >= 7 / 8 full b101-b111 = reserved. | RW | 0x2 |
| 2:0 | TXIFLSEL : Transmit interrupt FIFO level select. The trigger points for the transmit interrupt are as follows: b000 = Transmit FIFO becomes <= 1 / 8 full b001 = Transmit FIFO becomes <= 1 / 4 full b010 = Transmit FIFO becomes <= 1 / 2 full b011 = Transmit FIFO becomes <= 3 / 4 full b100 = Transmit FIFO becomes <= 7 / 8 full b101-b111 = reserved. | RW | 0x2 |

UART: UARTIMSC Register

Offset: 0x038

Description

Interrupt Mask Set/Clear Register, UARTIMSC

Table 1038. UARTIMSC Register

| Bits | Description | Type | Reset |
|-------|---|------|-------|
| 31:11 | Reserved. | - | - |
| 10 | OEIM : Overrun error interrupt mask. A read returns the current mask for the UARTOEINTR interrupt. On a write of 1, the mask of the UARTOEINTR interrupt is set. A write of 0 clears the mask. | RW | 0x0 |

| Bits | Description | Type | Reset |
|------|---|------|-------|
| 9 | BEIM: Break error interrupt mask. A read returns the current mask for the UARTBEINTR interrupt. On a write of 1, the mask of the UARTBEINTR interrupt is set. A write of 0 clears the mask. | RW | 0x0 |
| 8 | PEIM: Parity error interrupt mask. A read returns the current mask for the UARTPEINTR interrupt. On a write of 1, the mask of the UARTPEINTR interrupt is set. A write of 0 clears the mask. | RW | 0x0 |
| 7 | FEIM: Framing error interrupt mask. A read returns the current mask for the UARTFEINTR interrupt. On a write of 1, the mask of the UARTFEINTR interrupt is set. A write of 0 clears the mask. | RW | 0x0 |
| 6 | RTIM: Receive timeout interrupt mask. A read returns the current mask for the UARTRTINTR interrupt. On a write of 1, the mask of the UARTRTINTR interrupt is set. A write of 0 clears the mask. | RW | 0x0 |
| 5 | TXIM: Transmit interrupt mask. A read returns the current mask for the UARTTXINTR interrupt. On a write of 1, the mask of the UARTTXINTR interrupt is set. A write of 0 clears the mask. | RW | 0x0 |
| 4 | RXIM: Receive interrupt mask. A read returns the current mask for the UARTRXINTR interrupt. On a write of 1, the mask of the UARTRXINTR interrupt is set. A write of 0 clears the mask. | RW | 0x0 |
| 3 | DSRMIM: nUARTDSR modem interrupt mask. A read returns the current mask for the UARTDSRINTR interrupt. On a write of 1, the mask of the UARTDSRINTR interrupt is set. A write of 0 clears the mask. | RW | 0x0 |
| 2 | DCDMIM: nUARTDCD modem interrupt mask. A read returns the current mask for the UARTDCDINTR interrupt. On a write of 1, the mask of the UARTDCDINTR interrupt is set. A write of 0 clears the mask. | RW | 0x0 |
| 1 | CTSMIM: nUARTCTS modem interrupt mask. A read returns the current mask for the UARTCTSINTR interrupt. On a write of 1, the mask of the UARTCTSINTR interrupt is set. A write of 0 clears the mask. | RW | 0x0 |
| 0 | RIMIM: nUARTRI modem interrupt mask. A read returns the current mask for the UARTRIINTR interrupt. On a write of 1, the mask of the UARTRIINTR interrupt is set. A write of 0 clears the mask. | RW | 0x0 |

UART: UARTRIS Register

Offset: 0x03c

Description

Raw Interrupt Status Register, UARTRIS

Table 1039. UARTRIS Register

| Bits | Description | Type | Reset |
|-------|--|------|-------|
| 31:11 | Reserved. | - | - |
| 10 | OERIS: Overrun error interrupt status. Returns the raw interrupt state of the UARTOEINTR interrupt. | RO | 0x0 |
| 9 | BERIS: Break error interrupt status. Returns the raw interrupt state of the UARTBEINTR interrupt. | RO | 0x0 |
| 8 | PERIS: Parity error interrupt status. Returns the raw interrupt state of the UARTPEINTR interrupt. | RO | 0x0 |

| Bits | Description | Type | Reset |
|------|---|------|-------|
| 7 | FERIS : Framing error interrupt status. Returns the raw interrupt state of the UARTFEINTR interrupt. | RO | 0x0 |
| 6 | RTRIS : Receive timeout interrupt status. Returns the raw interrupt state of the UARTRTINTR interrupt. a | RO | 0x0 |
| 5 | TXRIS : Transmit interrupt status. Returns the raw interrupt state of the UARTRXINTR interrupt. | RO | 0x0 |
| 4 | RXRIS : Receive interrupt status. Returns the raw interrupt state of the UARTRXINTR interrupt. | RO | 0x0 |
| 3 | DSRRMIS : nUARTDSR modem interrupt status. Returns the raw interrupt state of the UARTDSRINTR interrupt. | RO | - |
| 2 | DCDRMIS : nUARTDCD modem interrupt status. Returns the raw interrupt state of the UARTDCDINTR interrupt. | RO | - |
| 1 | CTSRMIS : nUARTCTS modem interrupt status. Returns the raw interrupt state of the UARTCTSINTR interrupt. | RO | - |
| 0 | RIRMIS : nUARTRI modem interrupt status. Returns the raw interrupt state of the UARTRIINTR interrupt. | RO | - |

UART: UARTEMIS Register

Offset: 0x040

Description

Masked Interrupt Status Register, UARTEMIS

Table 1040. UARTEMIS Register

| Bits | Description | Type | Reset |
|-------|--|------|-------|
| 31:11 | Reserved. | - | - |
| 10 | OEMIS : Overrun error masked interrupt status. Returns the masked interrupt state of the UARTOEINTR interrupt. | RO | 0x0 |
| 9 | BEMIS : Break error masked interrupt status. Returns the masked interrupt state of the UARTBEINTR interrupt. | RO | 0x0 |
| 8 | PEMIS : Parity error masked interrupt status. Returns the masked interrupt state of the UARTPEINTR interrupt. | RO | 0x0 |
| 7 | FEMIS : Framing error masked interrupt status. Returns the masked interrupt state of the UARTFEINTR interrupt. | RO | 0x0 |
| 6 | RTMIS : Receive timeout masked interrupt status. Returns the masked interrupt state of the UARTRTINTR interrupt. | RO | 0x0 |
| 5 | TXMIS : Transmit masked interrupt status. Returns the masked interrupt state of the UARTRXINTR interrupt. | RO | 0x0 |
| 4 | RXMIS : Receive masked interrupt status. Returns the masked interrupt state of the UARTRXINTR interrupt. | RO | 0x0 |
| 3 | DSRMMIS : nUARTDSR modem masked interrupt status. Returns the masked interrupt state of the UARTDSRINTR interrupt. | RO | - |
| 2 | DCDRMMIS : nUARTDCD modem masked interrupt status. Returns the masked interrupt state of the UARTDCDINTR interrupt. | RO | - |

| Bits | Description | Type | Reset |
|------|--|------|-------|
| 1 | CTSM MIS : nUARTCTS modem masked interrupt status. Returns the masked interrupt state of the UARTCTSINTR interrupt. | RO | - |
| 0 | RIM MIS : nUARTRI modem masked interrupt status. Returns the masked interrupt state of the UARTRIINTR interrupt. | RO | - |

UART: UARTICR Register

Offset: 0x044

Description

Interrupt Clear Register, UARTICR

Table 1041. UARTICR Register

| Bits | Description | Type | Reset |
|-------|--|------|-------|
| 31:11 | Reserved. | - | - |
| 10 | OEIC : Overrun error interrupt clear. Clears the UARTOEINTR interrupt. | WC | - |
| 9 | BEIC : Break error interrupt clear. Clears the UARTBEINTR interrupt. | WC | - |
| 8 | PEIC : Parity error interrupt clear. Clears the UARTPEINTR interrupt. | WC | - |
| 7 | FEIC : Framing error interrupt clear. Clears the UARTFEINTR interrupt. | WC | - |
| 6 | RTIC : Receive timeout interrupt clear. Clears the UARTRTINTR interrupt. | WC | - |
| 5 | TXIC : Transmit interrupt clear. Clears the UARTRXINTR interrupt. | WC | - |
| 4 | RXIC : Receive interrupt clear. Clears the UARTRXINTR interrupt. | WC | - |
| 3 | DSRM IC : nUARTDSR modem interrupt clear. Clears the UARTDSRINTR interrupt. | WC | - |
| 2 | DCDM IC : nUARTDCD modem interrupt clear. Clears the UARTDCDINTR interrupt. | WC | - |
| 1 | CTSM IC : nUARTCTS modem interrupt clear. Clears the UARTCTSINTR interrupt. | WC | - |
| 0 | RIM IC : nUARTRI modem interrupt clear. Clears the UARTRIINTR interrupt. | WC | - |

UART: UARTDMACR Register

Offset: 0x048

Description

DMA Control Register, UARTDMACR

Table 1042. UARTDMACR Register

| Bits | Description | Type | Reset |
|------|---|------|-------|
| 31:3 | Reserved. | - | - |
| 2 | DMAONERR : DMA on error. If this bit is set to 1, the DMA receive request outputs, UARTRXDMASREQ or UARTRXDMABREQ, are disabled when the UART error interrupt is asserted. | RW | 0x0 |
| 1 | TXDMAE : Transmit DMA enable. If this bit is set to 1, DMA for the transmit FIFO is enabled. | RW | 0x0 |
| 0 | RXDMAE : Receive DMA enable. If this bit is set to 1, DMA for the receive FIFO is enabled. | RW | 0x0 |

UART: UARTPERIPHID0 Register

Offset: 0xfe0

Description

UARTPeriphID0 Register

Table 1043.
UARTPERIPHID0
Register

| Bits | Description | Type | Reset |
|------|---|------|-------|
| 31:8 | Reserved. | - | - |
| 7:0 | PARTNUMBER0 : These bits read back as 0x11 | RO | 0x11 |

UART: UARTPERIPHID1 Register

Offset: 0xfe4

Description

UARTPeriphID1 Register

Table 1044.
UARTPERIPHID1
Register

| Bits | Description | Type | Reset |
|------|--|------|-------|
| 31:8 | Reserved. | - | - |
| 7:4 | DESIGNER0 : These bits read back as 0x1 | RO | 0x1 |
| 3:0 | PARTNUMBER1 : These bits read back as 0x0 | RO | 0x0 |

UART: UARTPERIPHID2 Register

Offset: 0xfe8

Description

UARTPeriphID2 Register

Table 1045.
UARTPERIPHID2
Register

| Bits | Description | Type | Reset |
|------|--|------|-------|
| 31:8 | Reserved. | - | - |
| 7:4 | REVISION : This field depends on the revision of the UART: r1p0 0x0 r1p1 0x1 r1p3 0x2 r1p4 0x2 r1p5 0x3 | RO | 0x3 |
| 3:0 | DESIGNER1 : These bits read back as 0x4 | RO | 0x4 |

UART: UARTPERIPHID3 Register

Offset: 0xfec

Description

UARTPeriphID3 Register

Table 1046.
UARTPERIPHID3
Register

| Bits | Description | Type | Reset |
|------|---|------|-------|
| 31:8 | Reserved. | - | - |
| 7:0 | CONFIGURATION : These bits read back as 0x00 | RO | 0x00 |

UART: UARTPCCELLID0 Register

Offset: 0xff0

Description

UARTPCellID0 Register

Table 1047.
UARTPCELLID0
Register

| Bits | Description | Type | Reset |
|------|--|------|-------|
| 31:8 | Reserved. | - | - |
| 7:0 | UARTPCELLID0 : These bits read back as 0x0D | RO | 0x0d |

UART: UARTPCELLID1 Register

Offset: 0xff4

Description

UARTPCellID1 Register

Table 1048.
UARTPCELLID1
Register

| Bits | Description | Type | Reset |
|------|--|------|-------|
| 31:8 | Reserved. | - | - |
| 7:0 | UARTPCELLID1 : These bits read back as 0xF0 | RO | 0xf0 |

UART: UARTPCELLID2 Register

Offset: 0xff8

Description

UARTPCellID2 Register

Table 1049.
UARTPCELLID2
Register

| Bits | Description | Type | Reset |
|------|--|------|-------|
| 31:8 | Reserved. | - | - |
| 7:0 | UARTPCELLID2 : These bits read back as 0x05 | RO | 0x05 |

UART: UARTPCELLID3 Register

Offset: 0xffc

Description

UARTPCellID3 Register

Table 1050.
UARTPCELLID3
Register

| Bits | Description | Type | Reset |
|------|--|------|-------|
| 31:8 | Reserved. | - | - |
| 7:0 | UARTPCELLID3 : These bits read back as 0xB1 | RO | 0xb1 |

12.2. I2C

Synopsys Documentation

Synopsys Proprietary. Used with permission.

I2C is a commonly used 2-wire interface that can be used to connect devices for low speed data transfer using clock *SCL* and data *SDA* wires.

RP2350 has two identical instances of an I2C controller. The external pins of each controller are connected to GPIO pins as defined in the GPIO muxing [table](#) in [Section 9.4](#). The muxing options give some IO flexibility.

12.2.1. Features

Each I2C controller is based on a configuration of the Synopsys `DW_apb_i2c` (v2.03a) IP. The following features are supported:

- Master or Slave (Default to Master mode)
- Standard mode, Fast mode or Fast mode plus
- Default slave address `0x055`
- Supports 10-bit addressing in Master mode
- 16-element transmit buffer
- 16-element receive buffer
- Can be driven from DMA
- Can generate interrupts

12.2.1.1. Standard

The I2C controller was designed for I2C Bus specification, version 6.0, dated April 2014.

12.2.1.2. Clocking

All clocks in the I2C controller are connected to `clk_sys`, including `ic_clk`, which is mentioned in later sections. The I2C clock is generated by dividing down this clock, controlled by registers inside the block.

12.2.1.3. IOs

Each controller must connect its clock `SCL` and data `SDA` to one pair of GPIOs. The I2C standard requires that drivers drive a signal low, or when not driven the signal will be pulled high. This applies to SCL and SDA. The GPIO pads should be configured for:

- pull-up enabled
- slew rate limited
- schmitt trigger enabled

i NOTE

There should also be external pull-ups on the board as the internal pad pull-ups may not be strong enough to pull up external circuits.

12.2.2. IP configuration

I2C configuration details (each instance is fully independent):

- 32-bit APB access
- Supports Standard mode, Fast mode or Fast mode plus (not High speed)
- Default slave address of `0x055`
- Master or Slave mode
- Master by default (Slave mode disabled at reset)

- 10-bit addressing supported in master mode (7-bit by default)
- 16 entry transmit buffer
- 16 entry receive buffer
- Allows restart conditions when a master (can be disabled for legacy device support)
- Configurable timing to adjust T_{suDAT}/T_{hDAT}
- General calls responded to on reset
- Interface to DMA
- Single interrupt output
- Configurable timing to adjust clock frequency
- Spike suppression (default 7 clk_{sys} cycles)
- Can NACK after data received by Slave
- Hold transfer when TX FIFO empty
- Hold bus until space available in RX FIFO
- Restart detect interrupt in Slave mode
- Optional blocking Master commands (not enabled by default)

12.2.3. I2C overview

The I2C bus is a 2-wire serial interface, consisting of a serial data line **SDA** and a serial clock **SCL**. These wires carry information between the devices connected to the bus. Each device is recognized by a unique address and can operate as either a "transmitter" or "receiver", depending on the function of the device. Devices can also be considered as masters or slaves when performing data transfers. A master is a device that initiates a data transfer on the bus and generates the clock signals to permit that transfer. At that time, any device addressed is considered a slave.

i NOTE

The I2C block must only be programmed to operate in either master OR slave mode only. Operating as a master and slave simultaneously is not supported.

The I2C block can operate in these modes:

- standard mode (with data rates from 0 to 100 kb/s),
- fast mode (with data rates up to 400 kb/s),
- fast mode plus (with data rates up to 1000 kb/s).

These modes are not supported:

- High-speed mode (with data rates up to 3.4Mb/s),
- Ultra-Fast Speed Mode (with data rates up to 5Mb/s).

i NOTE

References to fast mode also apply to fast mode plus, unless specifically stated otherwise.

The I2C block can communicate with devices in one of these modes as long as they are attached to the bus. Additionally, fast mode devices are downward compatible. For instance, fast mode devices can communicate with standard mode devices at up to 100 kb/s over the I2C bus system. However, standard mode devices are not upward compatible and should not be incorporated in a fast-mode I2C bus system as they cannot follow the higher transfer rate; unpredictable states would occur.

The following devices commonly use high-speed mode:

- LCD displays
- high-bit count ADCs
- high capacity EEPROMs

These devices typically need to transfer large amounts of data.

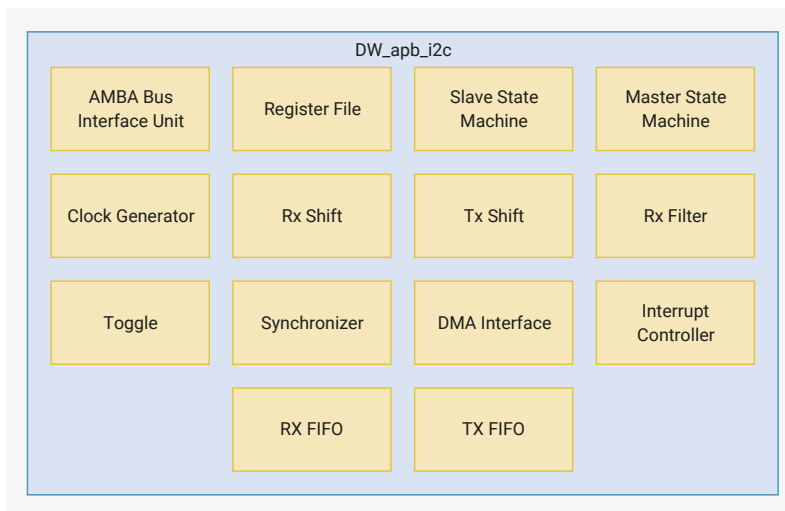
Most maintenance and control applications, the common use for the I2C bus, typically operate at 100 kHz in standard and fast modes. Any `DW_apb_i2c` device can be attached to an I2C bus. Every device can talk with any master, passing information back and forth. There needs to be at least one master (such as a microcontroller or DSP) on the bus, but there can be multiple masters, which require them to arbitrate for ownership. Multiple masters and arbitration are explained later in this chapter. The I2C block does not support SMBus and PMBus protocols (for System management and Power management).

The `DW_apb_i2c` is made up of:

- an AMBA APB slave interface
- an I2C interface
- FIFO logic to maintain coherency between the two interfaces

The blocks of the component are illustrated in [Figure 68](#).

Figure 68. I2C Block diagram



The following define the functions of the blocks in [Figure 68](#):

- **AMBA Bus Interface Unit:** Takes the APB interface signals and translates them into a common generic interface that allows the register file to be bus protocol-agnostic.
- **Register File:** Contains configuration registers and is the interface with software.
- **Slave State Machine:** Follows the protocol for a slave and monitors bus for address match.
- **Master State Machine:** Generates the I2C protocol for the master transfers.
- **Clock Generator:** Calculates the required timing to do the following:
 - Generate the `SCL` clock when configured as a master
 - Check for bus idle
 - Generate a `START` and a `STOP`
 - Setup the data and hold the data
- **RX Shift:** Takes data into the design and extracts it in byte format.

- **TX Shift:** Presents data supplied by CPU for transfer on the I2C bus.
- **RX Filter:** Detects the events in the bus; for example, start, stop and arbitration lost.
- **Toggle:** Generates pulses on both sides and toggles to transfer signals across clock domains.
- **Synchronizer:** Transfers signals from one clock domain to another.
- **DMA Interface:** Generates the handshaking signals to the central DMA controller in order to automate the data transfer without CPU intervention.
- **Interrupt Controller:** Generates the raw interrupt and interrupt flags, allowing them to be set and cleared.
- **RX FIFO/TX FIFO:** Holds the RX FIFO and TX FIFO register banks and controllers, along with their status levels.

12.2.4. I2C terminology

This section defines key terms used in various parts of the I2C.

12.2.4.1. I2C bus terms

The following terms relate to how the role of the I2C device and how it interacts with other I2C devices on the bus.

Transmitter

the device that sends data to the bus. A transmitter can either be a device that initiates the data transmission to the bus (a master-transmitter) or the device that responds to a request from the master to send data to the bus (a slave-transmitter).

Receiver

the device that receives data from the bus. A receiver can either be a device that receives data on its own request (a master-receiver) or a device that receives data in response to a request from the master (a slave-receiver).

Master

the component that initializes a transfer (START command), generates the clock **SCL** signal and terminates the transfer (STOP command). A master can be either a transmitter or a receiver.

Slave

the device addressed by the master. A slave can be either receiver or transmitter.

Multi-master

the ability for more than one master to co-exist on the bus at the same time without collision or data loss.

Arbitration

the predefined procedure that authorizes only one master at a time to take control of the bus. For more information about this behaviour, refer to [Section 12.2.8](#).

Synchronization

the predefined procedure that synchronizes the clock signals provided by two or more masters. For more information about this feature, refer to [Section 12.2.9](#).

SDA

the data signal line (Serial Data).

SCL

the clock signal line (Serial Clock).

12.2.4.2. Bus transfer terms

The following terms are specific to data transfers that occur to and from the I2C bus.

START (RESTART)

data transfer begins with a START or RESTART condition. The level of the **SDA** data line changes from high to low, while the **SCL** clock line remains high. When this occurs, the bus becomes busy.

NOTE

START and RESTART conditions are functionally identical.

STOP

data transfer is terminated by a STOP condition. This occurs when the level on the **SDA** data line passes from the low state to the high state, while the **SCL** clock line remains high. When the data transfer has been terminated, the bus is free or idle once again. The bus stays busy if a RESTART is generated instead of a STOP condition.

12.2.5. I2C behaviour

The **DW_apb_i2c** can be controlled with software to be *one of the following*:

- An I2C master only, communicating with other I2C slaves
- An I2C slave only, communicating with one or more I2C masters.

The master is responsible for generating the clock and controlling the transfer of data. The slave is responsible for either transmitting or receiving data to and from the master. The acknowledgement of data is sent by the device that is receiving data, which can be either a master or a slave. As mentioned previously, the I2C protocol also allows multiple masters to reside on the I2C bus and uses an arbitration procedure to determine bus ownership.

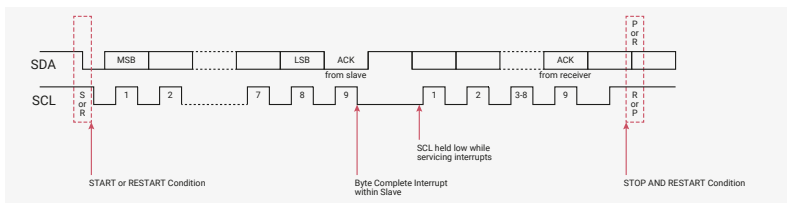
Each slave has a unique address determined by the system designer. When a master wants to communicate with a slave:

1. The master transmits a START/RESTART condition that is then followed by the slave’s address and a control bit (R/W) to determine if the master wants to transmit data or receive data from the slave.
2. The slave then sends an acknowledge (ACK) pulse after the address.

When the master (master-transmitter) writes to the slave (slave-receiver), the receiver gets one byte of data. This transaction continues until the master terminates the transmission with a STOP condition.

When the master reads from a slave (master-receiver), the slave transmits (slave-transmitter) a byte of data to the master. The master then acknowledges the transaction with the ACK pulse. This transaction continues until the master terminates the transmission by not acknowledging (NACK) the transaction after the last byte is received, and then the master issues a STOP condition or addresses another slave after issuing a RESTART condition. This behaviour is illustrated in [Figure 69](#).

Figure 69. Data transfer on the I2C Bus



The **DW_apb_i2c** is a synchronous serial interface. The **SDA** line is a bidirectional signal that changes only while the **SCL** line is low except for STOP, START, and RESTART conditions. The output drivers are open-drain or open-collector to perform wire-AND functions on the bus. The maximum number of devices on the bus is limited by only the maximum capacitance specification of 400 pF. Data is transmitted in byte packages.

The I2C protocols implemented in **DW_apb_i2c** are described in more details in [Section 12.2.6](#).

12.2.5.1. START and STOP generation

When operating as an I2C master, putting data into the TX FIFO causes the `DW_apb_i2c` to generate a START condition on the I2C bus. Writing a 1 to `IC_DATA_CMD.STOP` causes the `DW_apb_i2c` to generate a STOP condition on the I2C bus; a STOP condition is not issued if this bit is not set, even if the TX FIFO is empty.

When operating as a slave, the `DW_apb_i2c` does not generate START and STOP conditions, as per the protocol. However, if a read request is made to the `DW_apb_i2c`, it holds the SCL line low until read data has been supplied to it. This stalls the I2C bus until read data is provided to the slave `DW_apb_i2c`, or the `DW_apb_i2c` slave is disabled by writing a 0 to `IC_ENABLE.ENABLE`.

12.2.5.2. Combined formats

The `DW_apb_i2c` supports mixed read and write combined format transactions in both 7-bit and 10-bit addressing modes. The `DW_apb_i2c` does not support mixed address and mixed address format - that is, a 7-bit address transaction followed by a 10-bit address transaction or vice versa-combined format transactions. To initiate combined format transfers, `IC_CON.IC_RESTART_EN` should be set to 1. With this value set and operating as a master, when the `DW_apb_i2c` completes an I2C transfer, it checks the TX FIFO and executes the next transfer. If the direction of this transfer differs from the previous transfer, the combined format is used to issue the transfer. If the TX FIFO is empty when the current I2C transfer completes:

- `IC_DATA_CMD.STOP` is checked and:
 - If set to 1, a STOP bit is issued.
 - If set to 0, the SCL is held low until the next command is written to the TX FIFO.

For more details, refer to [Section 12.2.7](#).

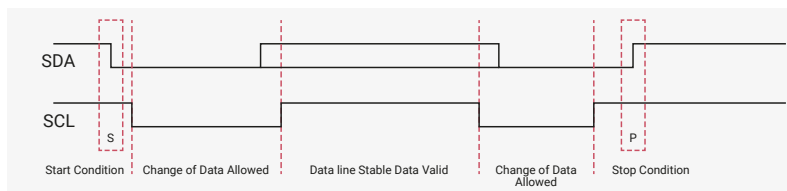
12.2.6. I2C protocols

This section defines protocols used in the `DW_apb_i2c`.

12.2.6.1. START and STOP conditions

When the bus is idle, both the SCL and SDA signals are pulled high through external pull-up resistors on the bus. When the master wants to start a transmission on the bus, the master issues a **START condition**: a high-to-low transition of the SDA signal while SCL is 1. When the master wants to terminate the transmission, the master issues a **STOP condition**: a low-to-high transition of the SDA signal while SCL is 1. [Figure 70](#) shows the timing of the START and STOP conditions. When data is being transmitted on the bus, the SDA signal must be stable when SCL is set to 1.

Figure 70. I2C START and STOP Condition



NOTE

The signal transitions for the START/STOP conditions, as depicted in [Figure 70](#), reflect those observed at the output signals of the master driving the I2C bus. Care should be taken when observing the SDA/SCL signals at the input signals of slaves, because unequal line delays may result in an incorrect SDA/SCL timing relationship.

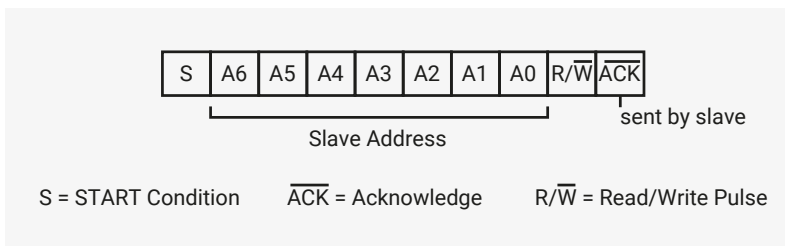
12.2.6.2. Addressing slave protocol

There are two address formats: 7-bit and 10-bit.

12.2.6.2.1. 7-bit address format

In the 7-bit address format, the first seven bits (bits 7:1) of the first byte set the slave address and the LSB bit (bit 0) defines the R/W status, as shown in [Figure 71](#). When bit 0 is set to 0, the master writes to the slave. When bit 0 is set to 1, the master reads from the slave.

Figure 71. I2C 7-bit Address Format



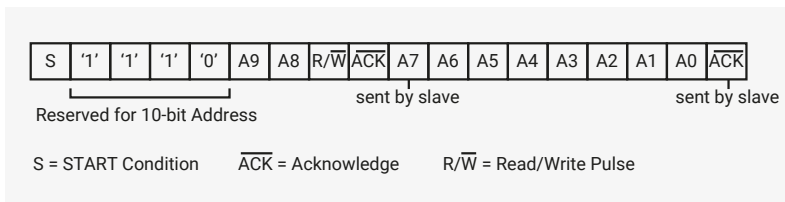
12.2.6.2.2. 10-bit address format

The 10-bit address format transfers two bytes for each 10-bit address.

- In the first byte, the first five bits (bits 7:3) indicate a 10-bit transfer. The next two bits (bits 2:1) contain bits 9:8 of the slave address. The LSB bit (bit 0) defines the R/W status.
- The second byte contains bits 7:0 of the slave address.

[Figure 72](#) shows the 10-bit address format:

Figure 72. 10-bit Address Format



[This table](#) defines the special purpose and reserved first byte addresses.

Table 1051. I2C/SMBus Definition of Bits in First Byte

| Slave Address | R/W Bit | Description |
|---------------|---------|--|
| 0000 000 | 0 | General Call Address. <code>DW_apb_i2c</code> places the data in the receive buffer and issues a General Call interrupt. |
| 0000 000 | 1 | START byte. For more details, refer to Section 12.2.6.4 . |
| 0000 001 | X | CBUS address. <code>DW_apb_i2c</code> ignores these accesses. |
| 0000 010 | X | Reserved. |

| Slave Address | R/W Bit | Description |
|---------------|---------|--|
| 0000 011 | X | Reserved. |
| 0000 1XX | X | High-speed master code (for more information, refer to Section 12.2.8). |
| 1111 1XX | X | Reserved. |
| 1111 0XX | X | 10-bit slave addressing. |
| 0001 000 | X | SMBus Host. (not supported) |
| 0001 100 | X | SMBus Alert Response Address. (not supported) |
| 1100 001 | X | SMBus Device Default Address. (not supported) |

`DW_apb_i2c` does not restrict you from using reserved addresses. However, if you use these reserved addresses, you may experience incompatibilities with I2C components.

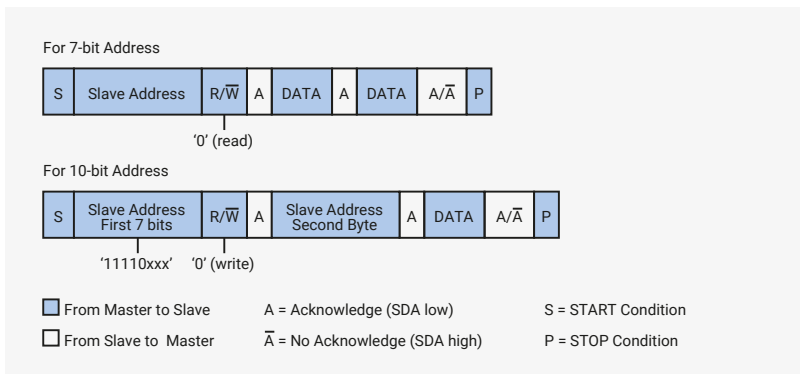
12.2.6.3. Transmitting and receiving protocol

The master can initiate data transmission and reception to and from the bus, acting as either a master-transmitter or master-receiver. A slave responds to requests from the master to either transmit data or receive data to/from the bus, acting as either a slave-transmitter or slave-receiver, respectively.

12.2.6.3.1. Master-transmitter and slave-receiver

All data is transmitted in byte format, with no limit on the number of bytes transferred per data transfer. After the master sends the address and R/W bit or the master transmits a byte of data to the slave, the slave-receiver must respond with the acknowledge signal (ACK). When no slave-receiver responds with an ACK pulse, the master aborts the transfer by issuing a STOP condition. The slave must leave the *SDA* line high so that the master can abort the transfer. If the master-transmitter is transmitting data as shown in [Figure 73](#), the slave-receiver responds to the master-transmitter with an acknowledge pulse after every byte of data is received.

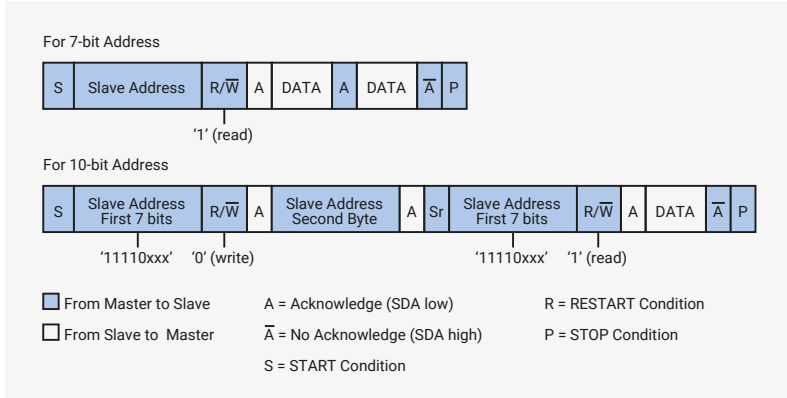
Figure 73. I2C Master-Transmitter Protocol



12.2.6.3.2. Master-receiver and slave-transmitter

If the master is receiving data as shown in [Figure 74](#) the master responds to the slave-transmitter with an acknowledge pulse after receiving each byte of data, except for the last byte. This is the way the master-receiver notifies the slave-transmitter that this is the last byte. The slave-transmitter relinquishes the *SDA* line after detecting No Acknowledge (NACK) so that the master can issue a STOP condition.

Figure 74. I2C Master-Receiver Protocol



When a master does not want to relinquish the bus with a STOP condition, the master can issue a RESTART condition. This is identical to a START condition except it occurs after the ACK pulse. Operating in master mode, the `DW_apb_i2c` can then communicate with the same slave using a transfer of a different direction. For a description of the combined format transactions that the `DW_apb_i2c` supports, see [Section 12.2.5.2](#).

NOTE

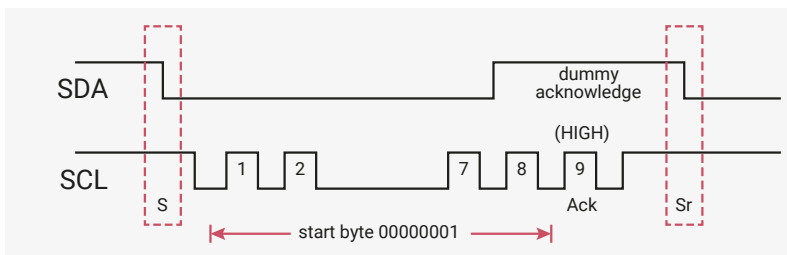
The `DW_apb_i2c` must be completely disabled before the target slave address register (`IC_TAR`) can be reprogrammed.

12.2.6.4. START BYTE Transfer Protocol

The START BYTE transfer protocol is designed for systems that do not have an on-board dedicated I2C hardware module. When the `DW_apb_i2c` is addressed as a slave, it always samples the I2C bus at the highest speed supported so that it never requires a START BYTE transfer. However, when `DW_apb_i2c` is a master, it supports the generation of START BYTE transfers at the beginning of every transfer in case a slave device requires it.

This protocol consists of the transmission of seven zeros, followed by a one, as illustrated in [Figure 75](#). This allows the processor polling the bus to under-sample the address phase until zero is detected. Once the microcontroller detects a zero, it switches from the under sampling rate to the correct rate of the master.

Figure 75. I2C Start Byte Transfer



The START BYTE procedure is as follows:

1. Master generates a START condition.
2. Master transmits the START byte (0000 0001).
3. Master transmits the ACK clock pulse. (Present only to conform with the byte handling format used on the bus)
4. No slave sets the ACK signal to zero.
5. Master generates a RESTART (R) condition.

Hardware receivers do not respond to the START BYTE procedure because it uses a reserved address and resets after the RESTART condition generates.

12.2.7. TX FIFO Management and START, STOP and RESTART Generation

When operating as a master, the `DW_apb_i2c` component supports the mode of TX (transmit) FIFO management illustrated in Figure 76.

12.2.7.1. TX FIFO management

The component does not generate a STOP if the TX FIFO becomes empty; in this situation the component holds the `SCL` line low, stalling the bus until a new entry is available in the TX FIFO. A STOP condition is generated only when the user specifically requests it by setting bit nine (Stop bit) of the command written to `IC_DATA_CMD` register. Figure 76 shows the bits in the `IC_DATA_CMD` register.

Figure 76.
`IC_DATA_CMD`
Register

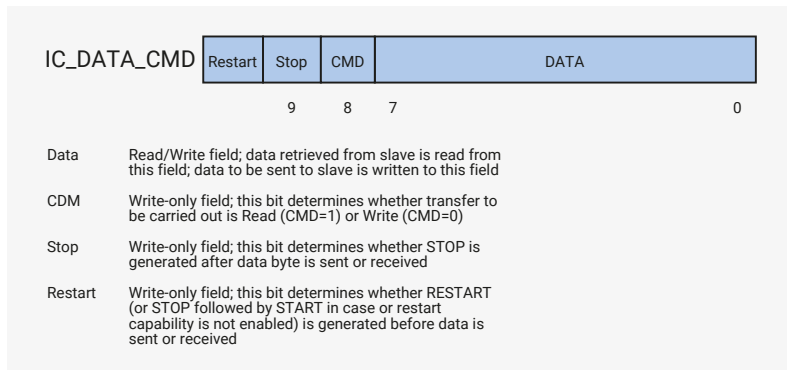


Figure 77 illustrates the behaviour of the `DW_apb_i2c` when the TX FIFO becomes empty while operating as a master transmitter, as well as the generation of a STOP condition.

Figure 77. Master Transmitter - TX FIFO Empties/STOP Generation

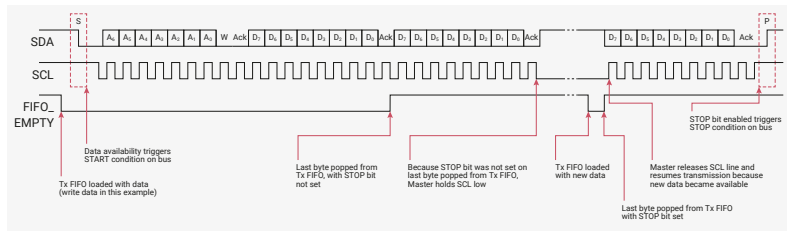


Figure 78 illustrates the behaviour of the `DW_apb_i2c` when the TX FIFO becomes empty while operating as a master receiver, as well as the generation of a STOP condition.

Figure 78. Master Receiver - TX FIFO Empties/STOP Generation

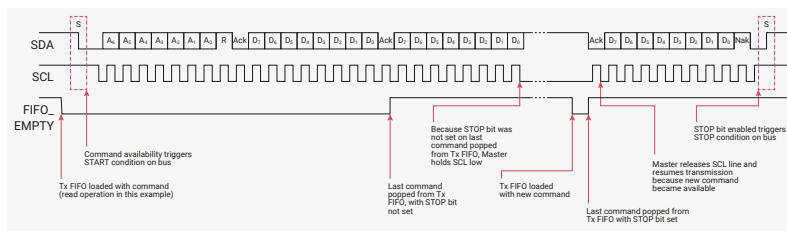


Figure 79 and Figure 80 illustrate configurations where the user can control the generation of RESTART conditions on the I2C bus. If bit 10 (Restart) of the `IC_DATA_CMD` register is set and the restart capability is enabled (`IC_RESTART_EN=1`), a RESTART is generated before the data byte is written to or read from the slave. If the restart capability is not enabled, a STOP followed by a START is generated in place of the RESTART. Figure 79 illustrates this situation during operation as a master transmitter.

Figure 79. Master Transmitter - Restart Bit of IC_DATA_CMD Is Set

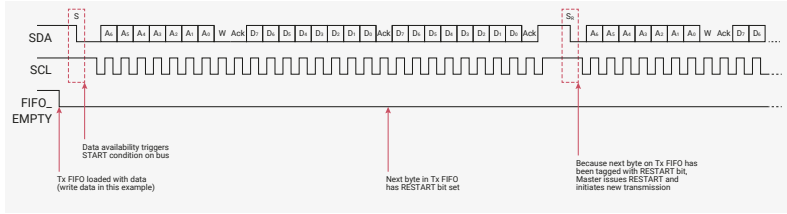


Figure 80 illustrates the same situation, but during operation as a master receiver.

Figure 80. Master Receiver - Restart Bit of IC_DATA_CMD Is Set

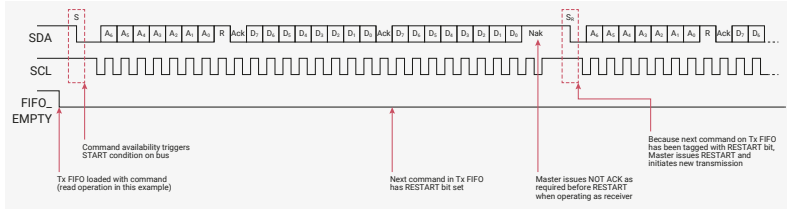


Figure 81 illustrates operation as a master transmitter where the Stop bit of the IC_DATA_CMD register is set and the TX FIFO is not empty.

Figure 81. Master Transmitter - Stop Bit of IC_DATA_CMD Set/TX FIFO not empty

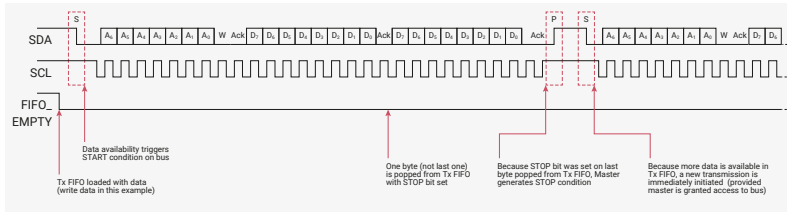


Figure 82 illustrates operation as a master transmitter where the first byte loaded into the TX FIFO is allowed to go empty with the Restart bit set.

Figure 82. Master Transmitter - First Byte Loaded Into TX FIFO Allowed to Empty, Restart Bit Set

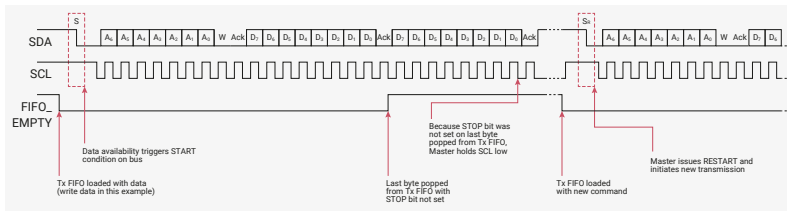


Figure 83 illustrates operation as a master receiver where the Stop bit of the IC_DATA_CMD register is set and the TX FIFO is not empty.

Figure 83. Master Receiver - Stop Bit of IC_DATA_CMD Set/TX FIFO Not Empty

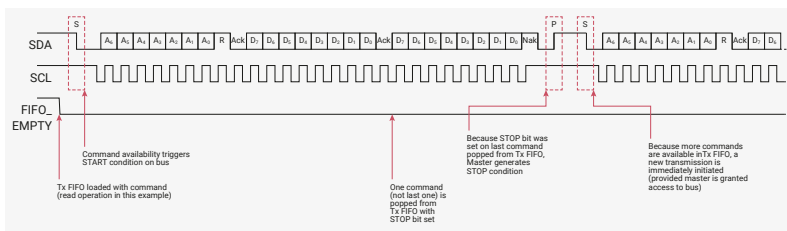
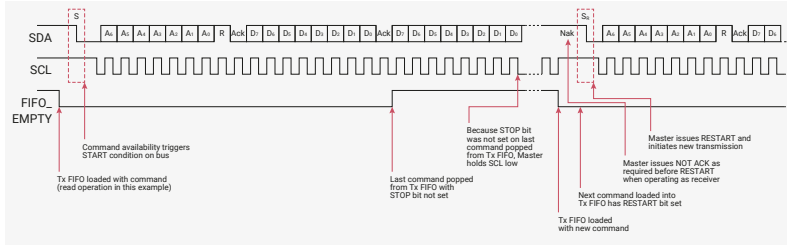


Figure 84 illustrates operation as a master receiver where the first command loaded after the TX FIFO is allowed to empty and the Restart bit is set.

Figure 84. Master Receiver - First Command Loaded After TX FIFO Allowed to Empty/Restart Bit Set



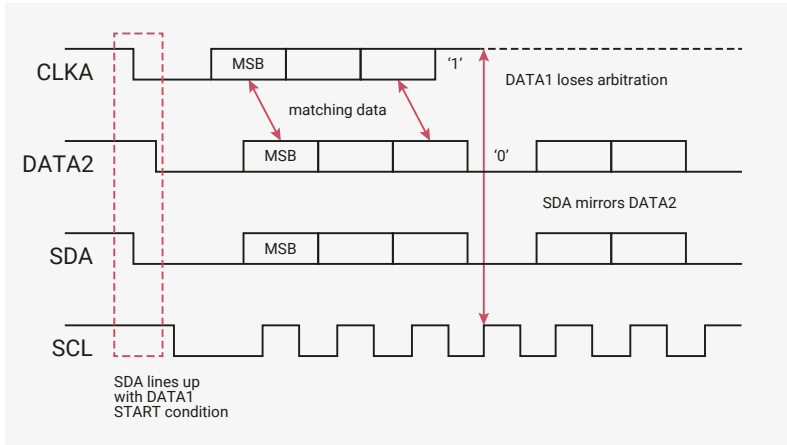
12.2.8. Multiple master arbitration

The DW_apb_i2c bus protocol allows multiple masters to reside on the same bus. If there are two masters on the same I2C bus, there is an arbitration procedure if both try to take control of the bus at the same time by generating a START condition at the same time. Once a master (for example, a microcontroller) has control of the bus, no other master can take control until the first master sends a STOP condition and places the bus in an idle state.

Arbitration takes place on the SDA line, while the SCL line is set to 1. The master, which transmits a one while the other master transmits zero, loses arbitration and turns off its data output stage. The master that lost arbitration can continue to generate clocks until the end of the byte transfer. If both masters address the same slave device, the arbitration could go into the data phase.

Upon detecting that it has lost arbitration to another master, the DW_apb_i2c stops generating SCL by disabling the output driver. Figure 85 illustrates the timing of two masters arbitrating on the bus.

Figure 85. Multiple Master Arbitration



Control of the bus is determined by address or master code and data sent by competing masters, so there is no central master nor any order of priority on the bus.

Arbitration is not allowed between the following conditions:

- A RESTART condition and a data bit
- A STOP condition and a data bit
- A RESTART condition and a STOP condition

i NOTE

Slaves do not participate in the arbitration process.

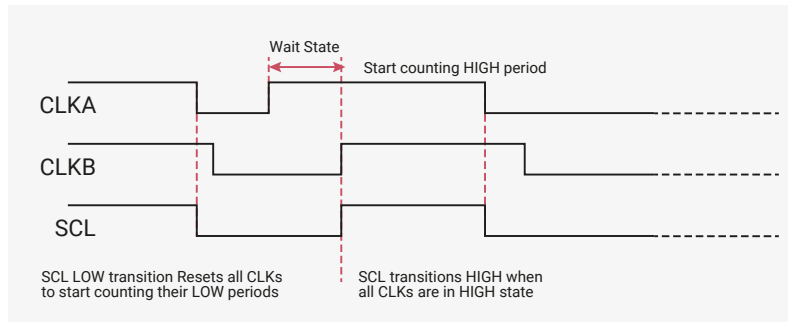
12.2.9. Clock synchronisation

When two or more masters try to transfer information on the bus at the same time, they must arbitrate and synchronize the SCL clock. All masters generate their own clock to transfer messages. Data is valid only during the high period of SCL

clock. Clock synchronisation is performed using the wired-AND connection to the **SCL** signal. When the master transitions the **SCL** clock to zero, the master starts counting the low time of the **SCL** clock and transitions the **SCL** clock signal to one at the beginning of the next clock period. However, if another master is holding the **SCL** line to 0, then the master goes into a HIGH wait state until the **SCL** clock line transitions to one.

All masters then count off their high time, and the master with the shortest high time transitions the **SCL** line to zero. The masters then count out their low time and the one with the longest low time forces the other masters into a HIGH wait state. Therefore, a synchronized **SCL** clock is generated, which is illustrated in [Figure 86](#). Optionally, slaves may hold the **SCL** line low to slow down the timing on the I2C bus.

Figure 86. Multi-Master Clock Synchronisation



12.2.10. Operation modes

This section provides information about operation modes.

i NOTE

Only set the `DW_apb_i2c` to operate as an I2C Master or an I2C Slave. Never set the `DW_apb_i2c` to operate as both simultaneously. To avoid this, never simultaneously set `IC_CON.IC_SLAVE_DISABLE` and `IC_CON.MASTER_MODE` to zero and one, respectively.

12.2.10.1. Slave mode operation

This section discusses slave mode procedures.

12.2.10.1.1. Initial configuration

To use the `DW_apb_i2c` as a slave, perform the following steps:

1. Disable the `DW_apb_i2c` by writing a 0 to `IC_ENABLE.ENABLE`.
2. Write to the `IC_SAR` register (bits 9:0) to set the slave address. This is the address to which the `DW_apb_i2c` responds.
3. Write to the `IC_CON` register to specify which type of addressing is supported (7-bit or 10-bit by setting bit 3). Enable the `DW_apb_i2c` in slave-only mode by writing a 0 into bit six (`IC_CON.IC_SLAVE_DISABLE`) and a 0 to bit zero (`IC_CON.MASTER_MODE`).

i NOTE

Slaves and masters can use different addressing settings. For instance, a slave can be programmed with 7-bit addressing and a master with 10-bit addressing, and vice versa.

4. Enable the `DW_apb_i2c` by writing a 1 to `IC_ENABLE.ENABLE`.

i NOTE

Depending on the reset values chosen, steps two and three may not be necessary because the reset values can be configured. For instance, if the device is only going to be a master, there would be no need to set the slave address because you can configure `DW_apb_i2c` to have the slave disabled after reset and to enable the master after reset. The values stored are static and do not need to be reprogrammed if the `DW_apb_i2c` is disabled.

– WARNING

Only bring the `DW_apb_i2c` Slave out of reset when the I2C bus is IDLE. De-asserting the reset when a transfer is ongoing on the bus causes internal synchronization flip-flops used to synchronize `SDA` and `SCL` to toggle from a reset value of one to the actual value on the bus. This can result in `SDA` toggling from one to zero while `SCL` is one, thereby causing a false START condition to be detected by the `DW_apb_i2c` Slave. This scenario can also be avoided by configuring the `DW_apb_i2c` with `IC_SLAVE_DISABLE = 1` and `MASTER_MODE = 1` so that the Slave interface is disabled after reset. It can then be enabled by programming `IC_CON[0] = 0` and `IC_CON[6] = 0` after the internal `SDA` and `SCL` have synchronized to the value on the bus; this takes approximately six `ic_clk` cycles after reset de-assertion.

12.2.10.1.2. Slave-transmitter operation for a single byte

When another I2C master device on the bus addresses the `DW_apb_i2c` and requests data, the `DW_apb_i2c` acts as a slave-transmitter. The following steps occur:

1. The other I2C master device initiates an I2C transfer with an address that matches the slave address in the `IC_SAR` register of the `DW_apb_i2c`.
2. The `DW_apb_i2c` acknowledges the sent address and recognizes the direction of the transfer to indicate that it is acting as a slave-transmitter.
3. The `DW_apb_i2c` asserts the `RD_REQ` interrupt (bit five of the `IC_RAW_INTR_STAT` register) and holds the `SCL` line low. It remains in a wait state until software responds. If the `RD_REQ` interrupt has been masked, due to `IC_INTR_MASK.M_RD_REQ` being set to zero, use a hardware and/or software timing routine to instruct the CPU to perform periodic reads of the `IC_RAW_INTR_STAT` register.
 - o Reads that indicate `IC_RAW_INTR_STAT.RD_REQ` being set to one must be treated as the equivalent of the `RD_REQ` interrupt being asserted.
 - o Software must then act to satisfy the I2C transfer.
 - o The timing interval used should be in the order of 10 times the fastest `SCL` clock period the `DW_apb_i2c` can handle. For example, for 400 kb/s, the timing interval is 25µs.

i NOTE

The value of 10 is recommended here because this is approximately the amount of time required for a single byte of data transferred on the I2C bus.

4. If there is any data remaining in the TX FIFO before receiving the read request, the `DW_apb_i2c` asserts a `TX_ABRT` interrupt (bit six of the `IC_RAW_INTR_STAT` register) to flush the old data from the TX FIFO. If the `TX_ABRT` interrupt has been masked, due to `IC_INTR_MASK.M_TX_ABRT` being set to zero, re-use the timing routine described in the previous step to read the `IC_RAW_INTR_STAT` register.

i NOTE

Because the `DW_apb_i2c`'s TX FIFO is forced into a flushed/reset state whenever a `TX_ABORT` event occurs, software must release the `DW_apb_i2c` from this state by reading the `IC_CLR_TX_ABORT` register before attempting to write into the TX FIFO. See register `IC_RAW_INTR_STAT` for more details.

- Reads that indicate bit six (`R_TX_ABORT`) being set to one must be treated as the equivalent of the `TX_ABORT` interrupt being asserted.
 - There is no further action required from software.
 - The timing interval used should be similar to that described in the previous step for the `IC_RAW_INTR_STAT.RD_REQ` register.
5. Software writes to the `IC_DATA_CMD` register with the data to be written (by writing a 0 in bit 8).
 6. Software must clear the `RD_REQ` and `TX_ABORT` interrupts (bits five and six, respectively) of the `IC_RAW_INTR_STAT` register before proceeding. If the `RD_REQ` or `TX_ABORT` interrupts have been masked, then clearing of the `IC_RAW_INTR_STAT` register will have already been performed when either the `R_RD_REQ` or `R_TX_ABORT` bit has been read as one.
 7. The `DW_apb_i2c` releases the `SCL` and transmits the byte.
 8. The master may hold the I2C bus by issuing a RESTART condition or release the bus by issuing a STOP condition.

i NOTE

Slave-Transmitter Operation for a single byte is not applicable in Ultra-Fast mode, since this mode does not support read transfers.

12.2.10.1.3. Slave-receiver operation for a single byte

When another I2C master device on the bus addresses the `DW_apb_i2c` and is sending data, the `DW_apb_i2c` acts as a slave-receiver and the following steps occur:

1. The other I2C master device initiates an I2C transfer with an address that matches the `DW_apb_i2c`'s slave address in the `IC_SAR` register.
2. The `DW_apb_i2c` acknowledges the sent address and recognizes the direction of the transfer to indicate that the `DW_apb_i2c` is acting as a slave-receiver.
3. `DW_apb_i2c` receives the transmitted byte and places it in the receive buffer.

i NOTE

If the Rx (receive) FIFO is completely filled with data when a byte is pushed, then the `DW_apb_i2c` slave holds the I2C `SCL` line low until the Rx FIFO has some space, and then continues with the next read request.

4. `DW_apb_i2c` asserts the `RX_FULL` interrupt `IC_RAW_INTR_STAT.RX_FULL`. If the `RX_FULL` interrupt has been masked, due to setting `IC_INTR_MASK.M_RX_FULL` to zero or setting `IC_TX_TL` to a value larger than zero, you should implement a timing routine (described in Section 12.2.10.1.2) for periodic reads of the `IC_STATUS` register. This timing routine should treat reads of the `IC_STATUS` register, with bit 3 (`RFNE`) set at one as the equivalent of an `RX_FULL` interrupt.
5. Software may read the byte from the `IC_DATA_CMD` register (bits 7:0).
6. The other master device may hold the I2C bus by issuing a RESTART condition, or release the bus by issuing a STOP condition.

12.2.10.1.4. Slave-transfer operation for bulk transfers

In the standard I2C protocol, all transactions are single byte transactions; the programmer responds to a remote master read request by writing one byte into the slave's TX FIFO. When a slave (slave-transmitter) receives a read request (`RD_REQ`) from the remote master (master-receiver), at a minimum there should be at least one entry placed into the slave-transmitter's TX FIFO.

`DW_apb_i2c` handles more data in the TX FIFO. This enables subsequent read requests to take data without raising an interrupt. This eliminates latencies incurred between interrupts. This mode only occurs when `DW_apb_i2c` acts as a slave-transmitter. If the remote master acknowledges the data sent by the slave-transmitter and there is no data in the slave's TX FIFO, the `DW_apb_i2c` holds the I2C `SCL` line low while it raises the read request interrupt (`RD_REQ`) and waits for a data write into the TX FIFO.

If the `RD_REQ` interrupt is masked by setting `IC_INTR_STAT.R_RD_REQ` to zero, use a timing routine to activate periodic reads of the `IC_RAW_INTR_STAT` register. Reads of `IC_RAW_INTR_STAT` that return bit five (`RD_REQ`) set to one must be treated as the equivalent of `RD_REQ`. This timing routine is similar to that described in [Section 12.2.10.1.2](#).

The `RD_REQ` interrupt is raised upon a read request. Always clear this interrupt when exiting the interrupt service handling routine (ISR). The ISR allows you to either write one byte or more than one byte into the TX FIFO. The master can request additional data at the end of a transmission by acknowledging the last byte. In this scenario, the slave must raise `RD_REQ` again.

If you know in advance that the remote master requests a packet of `n` bytes, you can write `n` byte to the TX FIFO. Then, when another master addresses `DW_apb_i2c` and requests data, the remote master will receive a continuous stream of data. This happens because the `DW_apb_i2c` slave continues to send data to the remote master as long as the remote master acknowledges the data sent and there is data available in the TX FIFO. There is no need to hold the `SCL` line low or to issue `RD_REQ` again.

If the remote master doesn't read all of the bytes from the TX FIFO, the `DW_apb_i2c` ignores the excess bytes with the following procedure:

- The `DW_apb_i2c` clears the TX FIFO.
- The `DW_apb_i2c` generates a transmit abort (`TX_ABRT`) event.

At the time an ACK/NACK is expected, if a NACK is received, then the remote master has all the data it wants. At this time, a flag is raised within the slave's state machine to clear the leftover data in the TX FIFO. This flag is transferred to the processor bus clock domain where the FIFO exists and the contents of the TX FIFO is cleared at that time.

12.2.10.2. Master mode operation

This section discusses master mode procedures.

12.2.10.2.1. Initial configuration

To use the `DW_apb_i2c` as a master, perform the following steps:

1. Disable the `DW_apb_i2c` by writing zero to `IC_ENABLE.ENABLE`.
2. Write to the `IC_CON` register to set the maximum speed mode supported (bits 2:1) and the desired speed of the `DW_apb_i2c` master-initiated transfers, either 7-bit or 10-bit addressing (bit 4). Ensure that bit six (`IC_SLAVE_DISABLE`) is written with a 1 and bit zero (`MASTER_MODE`) is written with a 1.

i NOTE

Slaves and masters can use different addressing settings. For instance, a slave can be programmed with 7-bit addressing and a master with 10-bit addressing, and vice versa.

3. Write the address of the I2C device to be addressed to bits 9:0 of the `IC_TAR` register. This register also determines whether the I2C will perform a General Call or a START BYTE command.
4. Enable the `DW_apb_i2c` by writing a one to `IC_ENABLE.ENABLE`.
5. Write the transfer direction and the data to be sent to the `IC_DATA_CMD` register. This step generates the START condition and the address byte on the `DW_apb_i2c`. Once `DW_apb_i2c` is enabled and there is data in the TX FIFO, `DW_apb_i2c` starts reading the data.

i NOTE

If you write to the `IC_DATA_CMD` register before enabling the `DW_apb_i2c`, the data and commands are lost: the buffers are kept cleared when `DW_apb_i2c` is disabled.

The values stored are static and do not need to be reprogrammed when the `DW_apb_i2c` is disabled *except for* transfer direction and data. As a result, you may not need to perform steps two, three, four, and five if you already configured the reset values.

12.2.10.2.2. Master transmit and master receive

The `DW_apb_i2c` supports switching back and forth between reading and writing dynamically. To transmit data, write data to the lower byte of the I2C RX/TX Data Buffer and Command Register (`IC_DATA_CMD`). For I2C write operations, write zero to the CMD bit [8]. Subsequently, to issue a read command, write a one to the CMD bit and write *don't care* to the lower byte of the `IC_DATA_CMD` register. The `DW_apb_i2c` master continues to initiate transfers as long as there are commands present in the TX FIFO. If the TX FIFO becomes empty, the master performs one of the following actions based on the value of `IC_DATA_CMD`:

- If set to one, it issues a STOP condition after completing the current transfer.
- If set to zero, it holds `SCL` low until next command is written to the TX FIFO.

For more details, refer to [Section 12.2.7](#).

12.2.10.3. Disabling `DW_apb_i2c`

The `IC_ENABLE_STATUS` register allows software to unambiguously determine when the I2C hardware has completely shut down.

i NOTE

Earlier versions of `DW_apb_i2c` required the programmer to monitor two registers: (`IC_STATUS` and `IC_RAW_INTR_STAT`). RP2350 only requires the programmer to monitor `IC_ENABLE_STATUS`.

To shut down I2C hardware, write a zero to `IC_ENABLE.ENABLE`. The `DW_apb_i2c` master can be disabled only if the command currently processing when the de-assertion occurs has the STOP bit set to one. If you attempt to disable the `DW_apb_i2c` master while processing a command without the STOP bit set, the `DW_apb_i2c` master continues to remain active, holding the `SCL` line low until a new command is received in the TX FIFO.

To relinquish the I2C bus and disable `DW_apb_i2c` while the `DW_apb_i2c` master is processing a command *without* the STOP bit set, issue an [ABORT request](#).

12.2.10.3.1. Procedure

1. Define a timer interval (t_{i2c_poll}) equal to the 10 times the signalling period for the highest I2C transfer speed used in the system and supported by `DW_apb_i2c`. For example, if the highest I2C transfer mode is 400 kb/s, t_{i2c_poll} is 25µs.
2. Define a maximum time-out parameter, `MAX_T_POLL_COUNT`, such that if any repeated polling operation exceeds this maximum value, an error is reported.
3. Execute a blocking thread, process, or function that prevents any further I2C master transactions from starting from software, but allows any pending transfers to be completed.

i NOTE

This step can be ignored if `DW_apb_i2c` is programmed to operate as an I2C slave only.

1. The variable `POLL_COUNT` is initialized to zero.
2. Set bit zero of the `IC_ENABLE` register to zero.
3. Read the `IC_ENABLE_STATUS` register and test the `IC_EN` bit (bit 0). Increment `POLL_COUNT` by one. If `POLL_COUNT >= MAX_T_POLL_COUNT`, exit with the relevant error code.
4. If `IC_ENABLE_STATUS[0]` is one, sleep for t_{i2c_poll} and proceed to the previous step. Otherwise, exit with a relevant success code.

12.2.10.4. Aborting I2C transfers

The `ABORT` control bit of the `IC_ENABLE` register allows the software to relinquish the I2C bus before completing the issued transfer commands from the TX FIFO. In response to an `ABORT` request, the controller issues the STOP condition over the I2C bus, followed by a TX FIFO flush. Aborting the transfer is allowed only in master mode of operation.

12.2.10.4.1. Procedure

1. Stop filling the TX FIFO (`IC_DATA_CMD`) with new commands.
2. When operating in DMA mode, disable the transmit DMA by setting `TDMAE` to zero.
3. Set `IC_ENABLE.ABORT` to one.
4. Wait for the `M_TX_ABRT` interrupt.
5. Read the `IC_TX_ABRT_SOURCE` register to identify the source as `ABRT_USER_ABRT`.

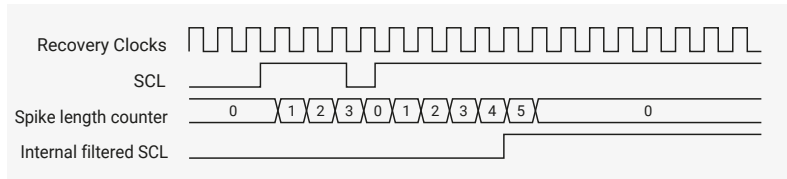
12.2.11. Spike suppression

The `DW_apb_i2c` contains programmable spike suppression logic that matches requirements imposed by the I2C Bus Specification for SS/FS modes. This logic is based on counters that monitor the input signals (`SCL` and `SDA`), checking if they remain stable for a predetermined amount of `ic_clk` cycles before they are sampled internally. There is one separate counter for each signal (`SCL` and `SDA`). The number of `ic_clk` cycles can be programmed by the user. The value should account for the frequency of `ic_clk` and the relevant spike length specification. Each counter starts whenever its input signal changes value. Depending on the behaviour of the input signal, one of the following scenarios occurs:

- The input signal remains unchanged until the counter reaches its count limit value. When this happens, the counter resets and stops, and the internal version of the signal updates to the input value.
- The input signal changes again before the counter reaches its count limit value. When this happens, the counter resets and stops, but the internal version of the signal does not update.

The timing diagram in [Figure 87](#) illustrates the behaviour described above.

Figure 87. Spike
Suppression Example



NOTE

There is a 2-stage synchronizer on the **SCL** input. For the sake of simplicity, this synchronization delay was not included in the timing diagram in [Figure 87](#).

The I2C Bus Specification calls for different maximum spike lengths according to the operating mode (50 ns for SS and FS). Register **IC_FS_SPKLEN** holds the maximum spike length for SS and FS modes.

This register is 8 bits wide and accessible through the APB interface for reads and writes. However, you can only write to this register when the **DW_apb_i2c** is disabled. The minimum value that can be programmed into these registers is one; attempting to program a value smaller than one results in the value one being written.

The default value for these registers is based on the value of 100 ns for **ic_clk** period, so should be updated for the **clk_sys** period in use on RP2350.

NOTE

- Because the minimum value that can be programmed into the **IC_FS_SPKLEN** register is one, the spike length specification can be exceeded for low frequencies of **ic_clk**. Consider the simple example of a 10 MHz (100 ns period) **ic_clk**; in this case, the minimum spike length that can be programmed is 100 ns, which means that spikes up to this length are suppressed.
- Standard synchronization logic (two flip-flops in series) is implemented upstream of the spike suppression logic and is not affected in any way by the contents of the spike length registers or the operation of the spike suppression logic; the two operations (synchronization and spike suppression) are completely independent. Because the **SCL** and **SDA** inputs are asynchronous to **ic_clk**, there is one **ic_clk** cycle uncertainty in the sampling of these signals. Depending on when they occur relative to the rising edge of **ic_clk**, spikes of the same original length might show a difference of one **ic_clk** cycle after being sampled.
- Spike suppression is symmetrical; the behaviour is exactly the same for transitions from zero to one and from one to zero.

12.2.12. Fast mode plus operation

In fast mode plus, the **DW_apb_i2c** extends fast mode operation to be support speeds up to 1000 kb/s. To enable the **DW_apb_i2c** for fast mode plus operation, perform the following steps before initiating any data transfer:

1. Set **ic_clk** frequency greater than or equal to 32 MHz (refer to [Section 12.2.14.2.1](#)).
2. Program the **IC_CON** register **[2:1] = 2'b10** for fast mode or fast mode plus.
3. Program **IC_FS_SCL_LCNT** and **IC_FS_SCL_HCNT** registers to meet the fast mode plus **SCL** (refer to [Section 12.2.14](#)).
4. Program the **IC_FS_SPKLEN** register to suppress the maximum spike of 50 ns.
5. Program the **IC_SDA_SETUP** register to meet the minimum data setup time (tSU; DAT).

12.2.13. Bus clear feature

DW_apb_i2c supports the bus clear feature that provides graceful recovery of data **SDA** and clock **SCL** lines during unlikely events in which either the clock or data line is stuck at LOW.

12.2.13.1. SDA line is stuck at LOW

In case of SDA line stuck at LOW, the master performs the following actions to recover as shown in Figure 88 and Figure 89:

1. Master sends a maximum of nine clock pulses to recover the bus LOW within those nine clocks.
 - o The number of clock pulses will vary with the number of bits that remain to be sent by the slave. As the maximum number of bits is nine, master sends up to nine clock pluses and allows the slave to recover.
 - o The master attempts to assert a Logic 1 on the SDA line and check whether SDA is recovered. If the SDA is not recovered, it will continue to send a maximum of nine SCL clocks.
2. If SDA line is recovered within nine clock pulses, the master will send STOP to release the bus.
3. If SDA line is not recovered even after the ninth clock pulse, you must hardware reset the system.

Figure 88. SDA Recovery with 9 SCL Clocks

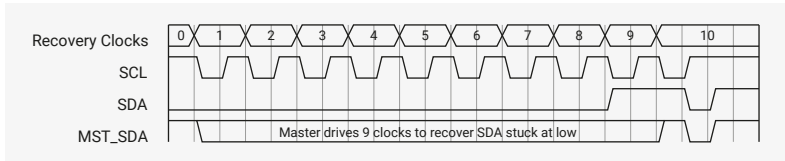
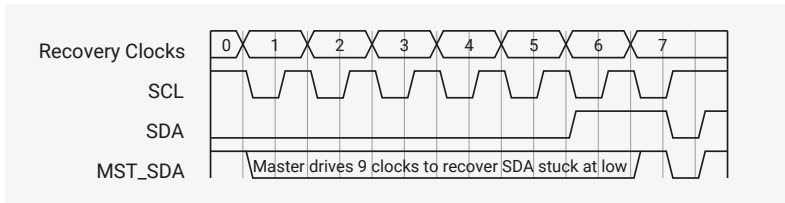


Figure 89. SDA Recovery with 6 SCL Clocks



12.2.13.2. SCL line is stuck at LOW

In the unlikely event (due to an electric failure of a circuit) where the clock (SCL) is stuck to LOW, there is no effective method to overcome this problem. Instead, reset the bus using the hardware reset signal.

12.2.14. IC_CLK frequency configuration

When the DW_apb_i2c is configured as a Standard (SS), Fast (FS), or Fast-Mode Plus (FM+), the *CNT registers must be set before any I2C bus transaction can take place in order to ensure proper I/O timing. The *CNT registers are:

- IC_SS_SCL_HCNT
- IC_SS_SCL_LCNT
- IC_FS_SCL_HCNT
- IC_FS_SCL_LCNT

i NOTE

The tBUF timing and setup/hold time of START, STOP and RESTART registers uses *HCNT/*LCNT register settings for the corresponding speed mode.

NOTE

It is not necessary to program any of the *CNT registers if the DW_apb_i2c is enabled to operate only as an I2C slave, since these registers are used only to determine the SCL timing requirements for operation as an I2C master.

Table 1052 lists the derivation of I2C timing parameters from the *CNT programming registers.

Table 1052. Derivation of I2C Timing Parameters from *CNT Registers

| Timing Parameter | Symbol | Standard Speed | Fast Speed / Fast Speed Plus |
|--|---------|----------------|------------------------------|
| LOW period of the SCL clock | tLOW | IC_SS_SCL_LCNT | IC_FS_SCL_LCNT |
| HIGH period of the SCL clock | tHIGH | IC_SS_SCL_HCNT | IC_FS_SCL_HCNT |
| Setup time for a repeated START condition | tSU;STA | IC_SS_SCL_LCNT | IC_FS_SCL_HCNT |
| Hold time (repeated) START condition | tHD;STA | IC_SS_SCL_HCNT | IC_FS_SCL_HCNT |
| Setup time for STOP condition | tSU;STO | IC_SS_SCL_HCNT | IC_FS_SCL_HCNT |
| Bus free time between a STOP and a START condition | tBUF | IC_SS_SCL_LCNT | IC_FS_SCL_LCNT |
| Spike length | tSP | IC_FS_SPKLEN | IC_FS_SPKLEN |
| Data hold time | tHD;DAT | IC_SDA_HOLD | IC_SDA_HOLD |
| Data setup time | tSU;DAT | IC_SDA_SETUP | IC_SDA_SETUP |

12.2.14.1. Minimum high and low counts in SS, FS, and FM+ modes.

When the DW_apb_i2c operates as an I2C master, in both transmit and receive transfers:

- IC_SS_SCL_LCNT and IC_FS_SCL_LCNT register values must be larger than IC_FS_SPKLEN + 7.
- IC_SS_SCL_HCNT and IC_FS_SCL_HCNT register values must be larger than IC_FS_SPKLEN + 5.

Details regarding the DW_apb_i2c high and low counts are as follows:

- The minimum value of IC*_SPKLEN + 7 for the *_LCNT registers is due to the time required for the DW_apb_i2c to drive SDA after a negative edge of SCL.
- The minimum value of IC*_SPKLEN + 5 for the *_HCNT registers is due to the time required for the DW_apb_i2c to sample SDA during the high period of SCL.
- The DW_apb_i2c adds one cycle to the programmed *_LCNT value in order to generate the low period of the SCL clock; this is due to the counting logic for SCL low counting to (*_LCNT + 1).
- The DW_apb_i2c adds IC*_SPKLEN + 7 cycles to the programmed *_HCNT value in order to generate the high period of the SCL clock, due to the following factors:
 - The counting logic for SCL high counts to (*_HCNT + 1).
 - The digital filtering applied to the SCL line incurs a delay of SPKLEN + 2 ic_clk cycles, where SPKLEN is IC_FS_SPKLEN if the component is operating in SS or FS.
 - Whenever SCL is driven one to zero by the DW_apb_i2c (completing the SCL high time) an internal logic latency of three ic_clk cycles is incurred. Consequently, the minimum SCL low time of which the DW_apb_i2c is capable is nine ic_clk periods (7 + 1 + 1), while the minimum SCL high time is thirteen ic_clk periods (6 + 1 + 3 + 3).

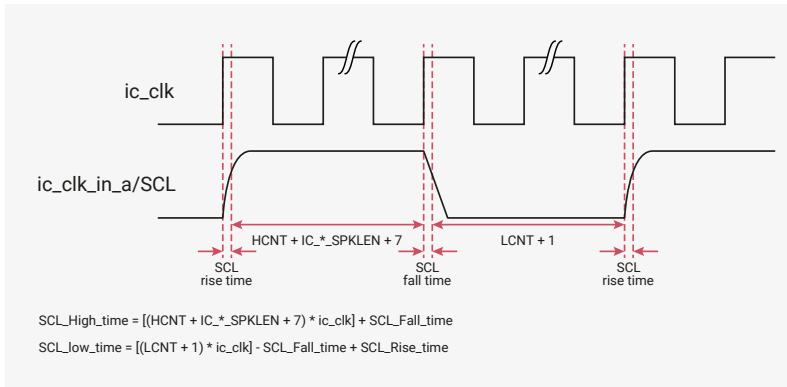
NOTE

The total high time and low time of **SCL** generated by the **DW_apb_i2c** master is also influenced by the rise time and fall time of the **SCL** line, as shown in the illustration and equations in [Figure 90](#). **SCL** rise and fall time parameters vary depending on external factors such as:

- Characteristics of the IO driver
- Pull-up resistor value
- Total capacitance on **SCL** line

These characteristics are beyond the control of the **DW_apb_i2c**.

Figure 90. Impact of **SCL** Rise Time and Fall Time on Generated **SCL**



12.2.14.2. Minimum **IC_CLK** frequency

This section describes the minimum **ic_clk** frequencies that the **DW_apb_i2c** supports for each speed mode, and the associated high and low count values. In slave mode, **IC_SDA_HOLD** (Th;dat) and **IC_SDA_SETUP** (Tsu;dat) need to be programmed to satisfy the I2C protocol timing requirements. The following examples are for the case where **IC_FS_SPKLEN** is programmed to two.

12.2.14.2.1. Standard Mode (SM), Fast Mode (FM), and Fast Mode Plus (FM+)

This section details how to derive a minimum **ic_clk** value for standard and fast modes of the **DW_apb_i2c**. Although the following method shows how to do fast mode calculations, you can also use the same method in order to do calculations for standard mode and fast mode plus.

NOTE

The following computations do not consider the **SCL_Rise_time** and **SCL_Fall_time**.

Given conditions and calculations for the minimum **DW_apb_i2c ic_clk** value in fast mode:

- Fast mode has data rate of 400 kb/s; implies **SCL** period of 1/400 kHz = 2.5µs
- Minimum hcnt value of 14 as a seed value; **IC_HCNT_FS** = 14
- Protocol minimum **SCL** high and low times:
 - **MIN_SCL_LOWtime_FS** = 1300 ns
 - **MIN_SCL_HIGHTime_FS** = 600 ns

Derived equations:

$$SCL_PERIOD_FS / (IC_HCNT_FS + IC_LCNT_FS) = IC_CLK_PERIOD$$

$$IC_LCNT_FS \times IC_CLK_PERIOD = MIN_SCL_LOWtime_FS$$

Combined, the previous equations produce the following:

$$IC_LCNT_FS \times (SCL_PERIOD_FS / (IC_LCNT_FS + IC_HCNT_FS)) = MIN_SCL_LOWtime_FS$$

Solving for **IC_LCNT_FS**:

$$IC_LCNT_FS \times (2.5\mu s / (IC_LCNT_FS + 14)) = 1.3\mu s$$

The previous equation gives:

$$IC_LCNT_FS = \text{roundup}(15.166) = 16$$

These calculations produce **IC_LCNT_FS = 16** and **IC_HCNT_FS = 14**, giving an **ic_clk** value of:

$$2.5\mu s / (16 + 14) = 83.3ns = 12 \text{ MHz}$$

Testing these results shows that protocol requirements are satisfied.

[Table 1053](#) lists the minimum **ic_clk** values for all modes with high and low count values.

Table 1053. **ic_clk** in Relation to High and Low Counts

| Speed Mode | ic_clkfreq (MHz) | Minimum Value of IC*_SPKLEN | SCL Low Time in `ic_clk`s | SCL Low Program Value | SCL Low Time | SCL High Time in `ic_clk`s | SCL High Program Value | SCL High Time |
|------------|------------------|-----------------------------|---------------------------|-----------------------|--------------|----------------------------|------------------------|---------------|
| SS | 2.7 | 1 | 13 | 12 | 4.7µs | 14 | 6 | 5.2µs |
| FS | 12.0 | 1 | 16 | 15 | 1.33µs | 14 | 6 | 1.16µs |
| FM+ | 32 | 2 | 16 | 15 | 500 ns | 16 | 7 | 500 ns |

- The **IC*_SCL_LCNT** and **IC*_SCL_HCNT** registers are programmed using the **SCL** low and high program values in [Table 1053](#), which are calculated using **SCL** low count minus one, and **SCL** high counts minus eight, respectively. The values in [Table 1053](#) are based on **IC_SDA_RX_HOLD = 0**. The maximum **IC_SDA_RX_HOLD** value depends on the **IC*_CNT** registers in Master mode.
- In order to compute the HCNT and LCNT considering RC timings, use the following equations:
 - $IC_HCNT_* = [(HCNT + IC_*_SPKLEN + 7) * ic_clk] + SCL_Fall_time$
 - $IC_LCNT_* = [(LCNT + 1) * ic_clk] - SCL_Fall_time + SCL_Rise_time$

12.2.14.3. Calculating high and low counts

The calculations below show how to calculate **SCL** high and low counts for each speed mode in the **DW_apb_i2c**. For the calculations to work, the **ic_clk** frequencies used must not be less than the minimum **ic_clk** frequencies specified in [Table 1053](#).

The default **ic_clk** period value is set to 100 ns, so default **SCL** high and low count values are calculated for each speed

mode based on this clock. These values need updating according to the guidelines below.

The equation to calculate the proper number of `ic_clk` signals required for setting the proper `SCL` clocks high and low times is as follows:

```
IC_xCNT = (ROUNDUP(MIN_SCL_xxxtime*OSCFREQ,0))
```

```
MIN_SCL_HIGHTime = Minimum High Period
MIN_SCL_HIGHTime = 400ns for 100kb/s,
                  600ns for 400kb/s,
                  260ns for 1000kb/s,
```

```
MIN_SCL_LOWtime = Minimum Low Period
MIN_SCL_LOWtime = 470ns for 100kb/s,
                 1300ns for 400kb/s,
                 500ns for 1000kb/s,
```

```
OSCFREQ = ic_clk Clock Frequency (Hz).
```

For example:

```
OSCFREQ = 100MHz
I2Cmode = fast, 400kb/s
MIN_SCL_HIGHTime = 600ns.
MIN_SCL_LOWtime = 1300ns.

IC_xCNT = (ROUNDUP(MIN_SCL_HIGH_LOWtime*OSCFREQ,0))

IC_HCNT = (ROUNDUP(600ns * 100MHz,0))
IC_HCNTSCL PERIOD = 60
IC_LCNT = (ROUNDUP(1300ns * 100MHz,0))
IC_LCNTSCL PERIOD = 130
Actual MIN_SCL_HIGHTime = 60*(1/100MHz) = 600ns
Actual MIN_SCL_LOWtime = 130*(1/100MHz) = 1300ns
```

12.2.15. DMA controller interface

The `DW_apb_i2c` has built-in DMA capability; it has a handshaking interface to the DMA Controller to request and control transfers. The APB bus is used to perform data transfers to and from the DMA. DMA transfers use single accesses, since the data rate is relatively low.

12.2.15.1. Enabling the DMA controller interface

To enable the DMA Controller interface on the `DW_apb_i2c`, you must write the DMA Control Register (`IC_DMA_CR`). Writing a one into the `TDMAE` bit field of `IC_DMA_CR` register enables the `DW_apb_i2c` transmit handshaking interface. Writing a one into the `RDMAE` bit field of the `IC_DMA_CR` register enables the `DW_apb_i2c` receive handshaking interface.

12.2.15.2. Overview of operation

The DMA Controller is programmed with the number of data items (transfer count) that are to be transmitted or received by `DW_apb_i2c`.

The transfer is broken into single transfers on the bus, each initiated by a request from the `DW_apb_i2c`.

For example, where the transfer count programmed into the DMA Controller is four. The DMA transfer consists of a series of four single transactions. If the `DW_apb_i2c` makes a transmit request to this channel, a single data item is written to the `DW_apb_i2c` TX FIFO. Similarly, if the `DW_apb_i2c` makes a receive request to this channel, a single data item is read from the `DW_apb_i2c` RX FIFO. Four separate requests must be made to this DMA channel before all four data items are written or read.

12.2.15.3. Watermark levels

In `DW_apb_i2c` the registers for setting watermarks to allow DMA bursts do not need be set to anything other than their reset value. Specifically, `IC_DMA_TDLR` and `IC_DMA_RDLR` can be left at reset values of zero. This is because only single transfers are needed due to the low bandwidth of I2C relative to system bandwidth. Because the DMA controller normally has the highest priority on the system bus, transfers complete quickly.

12.2.16. Operation of interrupt registers

Table 1054 lists the operation of the `DW_apb_i2c` interrupt registers and how they are set and cleared. Some bits are set by hardware and cleared by software, whereas other bits are set and cleared by hardware.

Table 1054. Clearing and Setting of Interrupt Registers

| Interrupt Bit Fields | Set by Hardware/Cleared by Software | Set and Cleared by Hardware |
|----------------------|-------------------------------------|-----------------------------|
| RESTART_DET | Y | N |
| GEN_CALL | Y | N |
| START_DET | Y | N |
| STOP_DET | Y | N |
| ACTIVITY | Y | N |
| RX_DONE | Y | N |
| TX_ABRT | Y | N |
| RD_REQ | Y | N |
| TX_EMPTY | N | Y |
| TX_OVER | Y | N |
| RX_FULL | N | Y |
| RX_OVER | Y | N |
| RX_UNDER | Y | N |

12.2.17. List of registers

The I2C0 and I2C1 registers start at base addresses of `0x40090000` and `0x40098000` respectively (defined as `I2C0_BASE` and `I2C1_BASE` in SDK).

i NOTE

You may see references to configuration constants in the I2C register descriptions; these are **fixed** values, set at hardware design time. A full list of their values can be found in `i2c.h` in the [pico-sdk GitHub repository](#).

Table 1055. List of I2C registers

| Offset | Name | Info |
|--------|---------------------------------------|---|
| 0x00 | IC_CON | I2C Control Register |
| 0x04 | IC_TAR | I2C Target Address Register |
| 0x08 | IC_SAR | I2C Slave Address Register |
| 0x10 | IC_DATA_CMD | I2C Rx/Tx Data Buffer and Command Register |
| 0x14 | IC_SS_SCL_HCNT | Standard Speed I2C Clock SCL High Count Register |
| 0x18 | IC_SS_SCL_LCNT | Standard Speed I2C Clock SCL Low Count Register |
| 0x1c | IC_FS_SCL_HCNT | Fast Mode or Fast Mode Plus I2C Clock SCL High Count Register |
| 0x20 | IC_FS_SCL_LCNT | Fast Mode or Fast Mode Plus I2C Clock SCL Low Count Register |
| 0x2c | IC_INTR_STAT | I2C Interrupt Status Register |
| 0x30 | IC_INTR_MASK | I2C Interrupt Mask Register |
| 0x34 | IC_RAW_INTR_STAT | I2C Raw Interrupt Status Register |
| 0x38 | IC_RX_TL | I2C Receive FIFO Threshold Register |
| 0x3c | IC_TX_TL | I2C Transmit FIFO Threshold Register |
| 0x40 | IC_CLR_INTR | Clear Combined and Individual Interrupt Register |
| 0x44 | IC_CLR_RX_UNDER | Clear RX_UNDER Interrupt Register |
| 0x48 | IC_CLR_RX_OVER | Clear RX_OVER Interrupt Register |
| 0x4c | IC_CLR_TX_OVER | Clear TX_OVER Interrupt Register |
| 0x50 | IC_CLR_RD_REQ | Clear RD_REQ Interrupt Register |
| 0x54 | IC_CLR_TX_ABRT | Clear TX_ABRT Interrupt Register |
| 0x58 | IC_CLR_RX_DONE | Clear RX_DONE Interrupt Register |
| 0x5c | IC_CLR_ACTIVITY | Clear ACTIVITY Interrupt Register |
| 0x60 | IC_CLR_STOP_DET | Clear STOP_DET Interrupt Register |
| 0x64 | IC_CLR_START_DET | Clear START_DET Interrupt Register |
| 0x68 | IC_CLR_GEN_CALL | Clear GEN_CALL Interrupt Register |
| 0x6c | IC_ENABLE | I2C ENABLE Register |
| 0x70 | IC_STATUS | I2C STATUS Register |
| 0x74 | IC_TXFLR | I2C Transmit FIFO Level Register |
| 0x78 | IC_RXFLR | I2C Receive FIFO Level Register |
| 0x7c | IC_SDA_HOLD | I2C SDA Hold Time Length Register |
| 0x80 | IC_TX_ABRT_SOURCE | I2C Transmit Abort Source Register |
| 0x84 | IC_SLV_DATA_NACK_ONLY | Generate Slave Data NACK Register |
| 0x88 | IC_DMA_CR | DMA Control Register |

| Offset | Name | Info |
|--------|-------------------------------------|---|
| 0x8c | IC_DMA_TDLR | DMA Transmit Data Level Register |
| 0x90 | IC_DMA_RDLR | DMA Transmit Data Level Register |
| 0x94 | IC_SDA_SETUP | I2C SDA Setup Register |
| 0x98 | IC_ACK_GENERAL_CALL | I2C ACK General Call Register |
| 0x9c | IC_ENABLE_STATUS | I2C Enable Status Register |
| 0xa0 | IC_FS_SPKLEN | I2C SS, FS or FM+ spike suppression limit |
| 0xa8 | IC_CLR_RESTART_DET | Clear RESTART_DET Interrupt Register |
| 0xf4 | IC_COMP_PARAM_1 | Component Parameter Register 1 |
| 0xf8 | IC_COMP_VERSION | I2C Component Version Register |
| 0xfc | IC_COMP_TYPE | I2C Component Type Register |

I2C: IC_CON Register

Offset: 0x00

Description

I2C Control Register. This register can be written only when the DW_apb_i2c is disabled, which corresponds to the IC_ENABLE[0] register being set to 0. Writes at other times have no effect.

Read/Write Access: - bit 10 is read only - bit 11 is read only - bit 16 is read only - bit 17 is read only - bits 18 and 19 are read only.

Table 1056. IC_CON Register

| Bits | Description | Type | Reset |
|-------|--|------|-------|
| 31:11 | Reserved. | - | - |
| 10 | STOP_DET_IF_MASTER_ACTIVE: Master issues the STOP_DET interrupt irrespective of whether master is active or not | RO | 0x0 |
| 9 | RX_FIFO_FULL_HLD_CTRL: This bit controls whether DW_apb_i2c should hold the bus when the Rx FIFO is physically full to its RX_BUFFER_DEPTH, as described in the IC_RX_FULL_HLD_BUS_EN parameter. Reset value: 0x0. | RW | 0x0 |
| | Enumerated values: | | |
| | 0x0 → DISABLED: Overflow when RX_FIFO is full | | |
| | 0x1 → ENABLED: Hold bus when RX_FIFO is full | | |
| 8 | TX_EMPTY_CTRL: This bit controls the generation of the TX_EMPTY interrupt, as described in the IC_RAW_INTR_STAT register. Reset value: 0x0. | RW | 0x0 |
| | Enumerated values: | | |
| | 0x0 → DISABLED: Default behaviour of TX_EMPTY interrupt | | |
| | 0x1 → ENABLED: Controlled generation of TX_EMPTY interrupt | | |

| Bits | Description | Type | Reset |
|------|---|------|-------|
| 7 | <p>STOP_DET_IFADDRESSED: In slave mode: - 1'b1: issues the STOP_DET interrupt only when it is addressed. - 1'b0: issues the STOP_DET irrespective of whether it's addressed or not. Reset value: 0x0</p> <p>NOTE: During a general call address, this slave does not issue the STOP_DET interrupt if STOP_DET_IF_ADDRESSED = 1'b1, even if the slave responds to the general call address by generating ACK. The STOP_DET interrupt is generated only when the transmitted address matches the slave address (SAR).</p> | RW | 0x0 |
| | Enumerated values: | | |
| | 0x0 → DISABLED: slave issues STOP_DET intr always | | |
| | 0x1 → ENABLED: slave issues STOP_DET intr only if addressed | | |
| 6 | <p>IC_SLAVE_DISABLE: This bit controls whether I2C has its slave disabled, which means once the preseln signal is applied, then this bit is set and the slave is disabled.</p> <p>If this bit is set (slave is disabled), DW_apb_i2c functions only as a master and does not perform any action that requires a slave.</p> <p>NOTE: Software should ensure that if this bit is written with 0, then bit 0 should also be written with a 0.</p> | RW | 0x1 |
| | Enumerated values: | | |
| | 0x0 → SLAVE_ENABLED: Slave mode is enabled | | |
| | 0x1 → SLAVE_DISABLED: Slave mode is disabled | | |
| 5 | <p>IC_RESTART_EN: Determines whether RESTART conditions may be sent when acting as a master. Some older slaves do not support handling RESTART conditions; however, RESTART conditions are used in several DW_apb_i2c operations. When RESTART is disabled, the master is prohibited from performing the following functions: - Sending a START BYTE - Performing any high-speed mode operation - High-speed mode operation - Performing direction changes in combined format mode - Performing a read operation with a 10-bit address By replacing RESTART condition followed by a STOP and a subsequent START condition, split operations are broken down into multiple DW_apb_i2c transfers. If the above operations are performed, it will result in setting bit 6 (TX_ABRT) of the IC_RAW_INTR_STAT register.</p> <p>Reset value: ENABLED</p> | RW | 0x1 |
| | Enumerated values: | | |
| | 0x0 → DISABLED: Master restart disabled | | |
| | 0x1 → ENABLED: Master restart enabled | | |
| 4 | <p>IC_10BITADDR_MASTER: Controls whether the DW_apb_i2c starts its transfers in 7- or 10-bit addressing mode when acting as a master. - 0: 7-bit addressing - 1: 10-bit addressing</p> | RW | 0x0 |
| | Enumerated values: | | |
| | 0x0 → ADDR_7BITS: Master 7Bit addressing mode | | |
| | 0x1 → ADDR_10BITS: Master 10Bit addressing mode | | |

| Bits | Description | Type | Reset |
|------|---|------|-------|
| 3 | IC_10BITADDR_SLAVE: When acting as a slave, this bit controls whether the DW_apb_i2c responds to 7- or 10-bit addresses. - 0: 7-bit addressing. The DW_apb_i2c ignores transactions that involve 10-bit addressing; for 7-bit addressing, only the lower 7 bits of the IC_SAR register are compared. - 1: 10-bit addressing. The DW_apb_i2c responds to only 10-bit addressing transfers that match the full 10 bits of the IC_SAR register. | RW | 0x0 |
| | Enumerated values: | | |
| | 0x0 → ADDR_7BITS: Slave 7Bit addressing | | |
| | 0x1 → ADDR_10BITS: Slave 10Bit addressing | | |
| 2:1 | SPEED: These bits control at which speed the DW_apb_i2c operates; its setting is relevant only if one is operating the DW_apb_i2c in master mode. Hardware protects against illegal values being programmed by software. These bits must be programmed appropriately for slave mode also, as it is used to capture correct value of spike filter as per the speed mode. This register should be programmed only with a value in the range of 1 to IC_MAX_SPEED_MODE; otherwise, hardware updates this register with the value of IC_MAX_SPEED_MODE. 1: standard mode (100 kbit/s) 2: fast mode (<=400 kbit/s) or fast mode plus (<=1000Kbit/s) 3: high speed mode (3.4 Mbit/s) Note: This field is not applicable when IC_ULTRA_FAST_MODE=1 | RW | 0x2 |
| | Enumerated values: | | |
| | 0x1 → STANDARD: Standard Speed mode of operation | | |
| | 0x2 → FAST: Fast or Fast Plus mode of operation | | |
| | 0x3 → HIGH: High Speed mode of operation | | |
| 0 | MASTER_MODE: This bit controls whether the DW_apb_i2c master is enabled. NOTE: Software should ensure that if this bit is written with '1' then bit 6 should also be written with a '1'. | RW | 0x1 |
| | Enumerated values: | | |
| | 0x0 → DISABLED: Master mode is disabled | | |
| | 0x1 → ENABLED: Master mode is enabled | | |

I2C: IC_TAR Register

Offset: 0x04

Description

I2C Target Address Register

This register is 12 bits wide, and bits 31:12 are reserved. This register can be written to only when IC_ENABLE[0] is set to 0.

Note: If the software or application is aware that the DW_apb_i2c is not using the TAR address for the pending

commands in the Tx FIFO, then it is possible to update the TAR address even while the Tx FIFO has entries (IC_STATUS[2]= 0). - It is not necessary to perform any write to this register if DW_apb_i2c is enabled as an I2C slave only.

Table 1057. IC_TAR Register

| Bits | Description | Type | Reset |
|-------|---|------|-------|
| 31:12 | Reserved. | - | - |
| 11 | SPECIAL: This bit indicates whether software performs a Device-ID or General Call or START BYTE command. - 0: ignore bit 10 GC_OR_START and use IC_TAR normally - 1: perform special I2C command as specified in Device_ID or GC_OR_START bit Reset value: 0x0 | RW | 0x0 |
| | Enumerated values: | | |
| | 0x0 → DISABLED: Disables programming of GENERAL_CALL or START_BYTE transmission | | |
| | 0x1 → ENABLED: Enables programming of GENERAL_CALL or START_BYTE transmission | | |
| 10 | GC_OR_START: If bit 11 (SPECIAL) is set to 1 and bit 13(Device-ID) is set to 0, then this bit indicates whether a General Call or START byte command is to be performed by the DW_apb_i2c. - 0: General Call Address - after issuing a General Call, only writes may be performed. Attempting to issue a read command results in setting bit 6 (TX_ABRT) of the IC_RAW_INTR_STAT register. The DW_apb_i2c remains in General Call mode until the SPECIAL bit value (bit 11) is cleared. - 1: START BYTE Reset value: 0x0 | RW | 0x0 |
| | Enumerated values: | | |
| | 0x0 → GENERAL_CALL: GENERAL_CALL byte transmission | | |
| | 0x1 → START_BYTE: START byte transmission | | |
| 9:0 | IC_TAR: This is the target address for any master transaction. When transmitting a General Call, these bits are ignored. To generate a START BYTE, the CPU needs to write only once into these bits. If the IC_TAR and IC_SAR are the same, loopback exists but the FIFOs are shared between master and slave, so full loopback is not feasible. Only one direction loopback mode is supported (simplex), not duplex. A master cannot transmit to itself; it can transmit to only a slave. | RW | 0x055 |

I2C: IC_SAR Register

Offset: 0x08

Description

I2C Slave Address Register

Table 1058. IC_SAR Register

| Bits | Description | Type | Reset |
|-------|-------------|------|-------|
| 31:10 | Reserved. | - | - |

| Bits | Description | Type | Reset |
|------|--|------|-------|
| 9:0 | <p>IC_SAR: The IC_SAR holds the slave address when the I2C is operating as a slave. For 7-bit addressing, only IC_SAR[6:0] is used.</p> <p>This register can be written only when the I2C interface is disabled, which corresponds to the IC_ENABLE[0] register being set to 0. Writes at other times have no effect.</p> <p>Note: The default values cannot be any of the reserved address locations: that is, 0x00 to 0x07, or 0x78 to 0x7f. The correct operation of the device is not guaranteed if you program the IC_SAR or IC_TAR to a reserved value. Refer to Table 1051 for a complete list of these reserved values.</p> | RW | 0x055 |

I2C: IC_DATA_CMD Register

Offset: 0x10

Description

I2C Rx/Tx Data Buffer and Command Register; this is the register the CPU writes to when filling the TX FIFO and the CPU reads from when retrieving bytes from RX FIFO.

The size of the register changes as follows:

Write: - 11 bits when IC_EMPTYFIFO_HOLD_MASTER_EN=1 - 9 bits when IC_EMPTYFIFO_HOLD_MASTER_EN=0
 Read: - 12 bits when IC_FIRST_DATA_BYTE_STATUS = 1 - 8 bits when IC_FIRST_DATA_BYTE_STATUS = 0
 Note: In order for the DW_apb_i2c to continue acknowledging reads, a read command should be written for every byte that is to be received; otherwise the DW_apb_i2c will stop acknowledging.

Table 1059.
IC_DATA_CMD
Register

| Bits | Description | Type | Reset |
|-------|---|------|-------|
| 31:12 | Reserved. | - | - |
| 11 | <p>FIRST_DATA_BYTE: Indicates the first data byte received after the address phase for receive transfer in Master receiver or Slave receiver mode.</p> <p>Reset value : 0x0</p> <p>NOTE: In case of APB_DATA_WIDTH=8,</p> <ol style="list-style-type: none"> The user has to perform two APB Reads to IC_DATA_CMD in order to get status on 11 bit. In order to read the 11 bit, the user has to perform the first data byte read [7:0] (offset 0x10) and then perform the second read [15:8] (offset 0x11) in order to know the status of 11 bit (whether the data received in previous read is a first data byte or not). The 11th bit is an optional read field, user can ignore 2nd byte read [15:8] (offset 0x11) if not interested in FIRST_DATA_BYTE status. | RO | 0x0 |
| | Enumerated values: | | |
| | 0x0 → INACTIVE: Sequential data byte received | | |
| | 0x1 → ACTIVE: Non sequential data byte received | | |

| Bits | Description | Type | Reset |
|------|--|------|-------|
| 10 | <p>RESTART: This bit controls whether a RESTART is issued before the byte is sent or received.</p> <p>1 - If IC_RESTART_EN is 1, a RESTART is issued before the data is sent/received (according to the value of CMD), regardless of whether or not the transfer direction is changing from the previous command; if IC_RESTART_EN is 0, a STOP followed by a START is issued instead.</p> <p>0 - If IC_RESTART_EN is 1, a RESTART is issued only if the transfer direction is changing from the previous command; if IC_RESTART_EN is 0, a STOP followed by a START is issued instead.</p> <p>Reset value: 0x0</p> | SC | 0x0 |
| | Enumerated values: | | |
| | 0x0 → DISABLE: Don't Issue RESTART before this command | | |
| | 0x1 → ENABLE: Issue RESTART before this command | | |
| 9 | <p>STOP: This bit controls whether a STOP is issued after the byte is sent or received.</p> <p>- 1 - STOP is issued after this byte, regardless of whether or not the Tx FIFO is empty. If the Tx FIFO is not empty, the master immediately tries to start a new transfer by issuing a START and arbitrating for the bus. - 0 - STOP is not issued after this byte, regardless of whether or not the Tx FIFO is empty. If the Tx FIFO is not empty, the master continues the current transfer by sending/receiving data bytes according to the value of the CMD bit. If the Tx FIFO is empty, the master holds the SCL line low and stalls the bus until a new command is available in the Tx FIFO. Reset value: 0x0</p> | SC | 0x0 |
| | Enumerated values: | | |
| | 0x0 → DISABLE: Don't Issue STOP after this command | | |
| | 0x1 → ENABLE: Issue STOP after this command | | |
| 8 | <p>CMD: This bit controls whether a read or a write is performed. This bit does not control the direction when the DW_apb_i2con acts as a slave. It controls only the direction when it acts as a master.</p> <p>When a command is entered in the TX FIFO, this bit distinguishes the write and read commands. In slave-receiver mode, this bit is a 'don't care' because writes to this register are not required. In slave-transmitter mode, a '0' indicates that the data in IC_DATA_CMD is to be transmitted.</p> <p>When programming this bit, you should remember the following: attempting to perform a read operation after a General Call command has been sent results in a TX_ABRT interrupt (bit 6 of the IC_RAW_INTR_STAT register), unless bit 11 (SPECIAL) in the IC_TAR register has been cleared. If a '1' is written to this bit after receiving a RD_REQ interrupt, then a TX_ABRT interrupt occurs.</p> <p>Reset value: 0x0</p> | SC | 0x0 |
| | Enumerated values: | | |
| | 0x0 → WRITE: Master Write Command | | |

| Bits | Description | Type | Reset |
|------|--|------|-------|
| | 0x1 → READ: Master Read Command | | |
| 7:0 | <p>DAT: This register contains the data to be transmitted or received on the I2C bus. If you are writing to this register and want to perform a read, bits 7:0 (DAT) are ignored by the DW_apb_i2c. However, when you read this register, these bits return the value of data received on the DW_apb_i2c interface.</p> <p>Reset value: 0x0</p> | RW | 0x00 |

I2C: IC_SS_SCL_HCNT Register

Offset: 0x14

Description

Standard Speed I2C Clock SCL High Count Register

Table 1060.
IC_SS_SCL_HCNT
Register

| Bits | Description | Type | Reset |
|-------|---|------|--------|
| 31:16 | Reserved. | - | - |
| 15:0 | <p>IC_SS_SCL_HCNT: This register must be set before any I2C bus transaction can take place to ensure proper I/O timing. This register sets the SCL clock high-period count for standard speed. For more information, refer to 'IC_CLK Frequency Configuration'.</p> <p>This register can be written only when the I2C interface is disabled which corresponds to the IC_ENABLE[0] register being set to 0. Writes at other times have no effect.</p> <p>The minimum valid value is 6; hardware prevents values less than this being written, and if attempted results in 6 being set. For designs with APB_DATA_WIDTH = 8, the order of programming is important to ensure the correct operation of the DW_apb_i2c. The lower byte must be programmed first. Then the upper byte is programmed.</p> <p>NOTE: This register must not be programmed to a value higher than 65525, because DW_apb_i2c uses a 16-bit counter to flag an I2C bus idle condition when this counter reaches a value of IC_SS_SCL_HCNT + 10.</p> | RW | 0x0028 |

I2C: IC_SS_SCL_LCNT Register

Offset: 0x18

Description

Standard Speed I2C Clock SCL Low Count Register

Table 1061.
IC_SS_SCL_LCNT
Register

| Bits | Description | Type | Reset |
|-------|-------------|------|-------|
| 31:16 | Reserved. | - | - |

| Bits | Description | Type | Reset |
|------|---|------|--------|
| 15:0 | <p>IC_SS_SCL_LCNT: This register must be set before any I2C bus transaction can take place to ensure proper I/O timing. This register sets the SCL clock low period count for standard speed. For more information, refer to 'IC_CLK Frequency Configuration'</p> <p>This register can be written only when the I2C interface is disabled which corresponds to the IC_ENABLE[0] register being set to 0. Writes at other times have no effect.</p> <p>The minimum valid value is 8; hardware prevents values less than this being written, and if attempted, results in 8 being set. For designs with APB_DATA_WIDTH = 8, the order of programming is important to ensure the correct operation of DW_apb_i2c. The lower byte must be programmed first, and then the upper byte is programmed.</p> | RW | 0x002f |

I2C: IC_FS_SCL_HCNT Register

Offset: 0x1c

Description

Fast Mode or Fast Mode Plus I2C Clock SCL High Count Register

Table 1062.
IC_FS_SCL_HCNT
Register

| Bits | Description | Type | Reset |
|-------|--|------|--------|
| 31:16 | Reserved. | - | - |
| 15:0 | <p>IC_FS_SCL_HCNT: This register must be set before any I2C bus transaction can take place to ensure proper I/O timing. This register sets the SCL clock high-period count for fast mode or fast mode plus. It is used in high-speed mode to send the Master Code and START BYTE or General CALL. For more information, refer to 'IC_CLK Frequency Configuration'.</p> <p>This register goes away and becomes read-only returning 0s if IC_MAX_SPEED_MODE = standard. This register can be written only when the I2C interface is disabled, which corresponds to the IC_ENABLE[0] register being set to 0. Writes at other times have no effect.</p> <p>The minimum valid value is 6; hardware prevents values less than this being written, and if attempted results in 6 being set. For designs with APB_DATA_WIDTH == 8 the order of programming is important to ensure the correct operation of the DW_apb_i2c. The lower byte must be programmed first. Then the upper byte is programmed.</p> | RW | 0x0006 |

I2C: IC_FS_SCL_LCNT Register

Offset: 0x20

Description

Fast Mode or Fast Mode Plus I2C Clock SCL Low Count Register

Table 1063.
IC_FS_SCL_LCNT
Register

| Bits | Description | Type | Reset |
|-------|-------------|------|-------|
| 31:16 | Reserved. | - | - |

| Bits | Description | Type | Reset |
|------|--|------|--------|
| 15:0 | <p>IC_FS_SCL_LCNT: This register must be set before any I2C bus transaction can take place to ensure proper I/O timing. This register sets the SCL clock low period count for fast speed. It is used in high-speed mode to send the Master Code and START BYTE or General CALL. For more information, refer to 'IC_CLK Frequency Configuration'.</p> <p>This register goes away and becomes read-only returning 0s if IC_MAX_SPEED_MODE = standard.</p> <p>This register can be written only when the I2C interface is disabled, which corresponds to the IC_ENABLE[0] register being set to 0. Writes at other times have no effect.</p> <p>The minimum valid value is 8; hardware prevents values less than this being written, and if attempted results in 8 being set. For designs with APB_DATA_WIDTH = 8 the order of programming is important to ensure the correct operation of the DW_apb_i2c. The lower byte must be programmed first. Then the upper byte is programmed. If the value is less than 8 then the count value gets changed to 8.</p> | RW | 0x000d |

I2C: IC_INTR_STAT Register

Offset: 0x2c

Description

I2C Interrupt Status Register

Each bit in this register has a corresponding mask bit in the IC_INTR_MASK register. These bits are cleared by reading the matching interrupt clear register. The unmasked raw versions of these bits are available in the IC_RAW_INTR_STAT register.

Table 1064.
IC_INTR_STAT
Register

| Bits | Description | Type | Reset |
|-------|--|------|-------|
| 31:13 | Reserved. | - | - |
| 12 | <p>R_RESTART_DET: See IC_RAW_INTR_STAT for a detailed description of R_RESTART_DET bit.</p> <p>Reset value: 0x0</p> <p>Enumerated values:</p> <p>0x0 → INACTIVE: R_RESTART_DET interrupt is inactive</p> <p>0x1 → ACTIVE: R_RESTART_DET interrupt is active</p> | RO | 0x0 |
| 11 | <p>R_GEN_CALL: See IC_RAW_INTR_STAT for a detailed description of R_GEN_CALL bit.</p> <p>Reset value: 0x0</p> <p>Enumerated values:</p> <p>0x0 → INACTIVE: R_GEN_CALL interrupt is inactive</p> <p>0x1 → ACTIVE: R_GEN_CALL interrupt is active</p> | RO | 0x0 |

| Bits | Description | Type | Reset |
|------|---|------|-------|
| 10 | R_START_DET: See IC_RAW_INTR_STAT for a detailed description of R_START_DET bit. Reset value: 0x0 | RO | 0x0 |
| | Enumerated values: | | |
| | 0x0 → INACTIVE: R_START_DET interrupt is inactive | | |
| | 0x1 → ACTIVE: R_START_DET interrupt is active | | |
| 9 | R_STOP_DET: See IC_RAW_INTR_STAT for a detailed description of R_STOP_DET bit. Reset value: 0x0 | RO | 0x0 |
| | Enumerated values: | | |
| | 0x0 → INACTIVE: R_STOP_DET interrupt is inactive | | |
| | 0x1 → ACTIVE: R_STOP_DET interrupt is active | | |
| 8 | R_ACTIVITY: See IC_RAW_INTR_STAT for a detailed description of R_ACTIVITY bit. Reset value: 0x0 | RO | 0x0 |
| | Enumerated values: | | |
| | 0x0 → INACTIVE: R_ACTIVITY interrupt is inactive | | |
| | 0x1 → ACTIVE: R_ACTIVITY interrupt is active | | |
| 7 | R_RX_DONE: See IC_RAW_INTR_STAT for a detailed description of R_RX_DONE bit. Reset value: 0x0 | RO | 0x0 |
| | Enumerated values: | | |
| | 0x0 → INACTIVE: R_RX_DONE interrupt is inactive | | |
| | 0x1 → ACTIVE: R_RX_DONE interrupt is active | | |
| 6 | R_TX_ABRT: See IC_RAW_INTR_STAT for a detailed description of R_TX_ABRT bit. Reset value: 0x0 | RO | 0x0 |
| | Enumerated values: | | |
| | 0x0 → INACTIVE: R_TX_ABRT interrupt is inactive | | |
| | 0x1 → ACTIVE: R_TX_ABRT interrupt is active | | |
| 5 | R_RD_REQ: See IC_RAW_INTR_STAT for a detailed description of R_RD_REQ bit. Reset value: 0x0 | RO | 0x0 |
| | Enumerated values: | | |
| | 0x0 → INACTIVE: R_RD_REQ interrupt is inactive | | |
| | 0x1 → ACTIVE: R_RD_REQ interrupt is active | | |

| Bits | Description | Type | Reset |
|------|---|------|-------|
| 4 | R_TX_EMPTY: See IC_RAW_INTR_STAT for a detailed description of R_TX_EMPTY bit. Reset value: 0x0 | RO | 0x0 |
| | Enumerated values: | | |
| | 0x0 → INACTIVE: R_TX_EMPTY interrupt is inactive | | |
| | 0x1 → ACTIVE: R_TX_EMPTY interrupt is active | | |
| 3 | R_TX_OVER: See IC_RAW_INTR_STAT for a detailed description of R_TX_OVER bit. Reset value: 0x0 | RO | 0x0 |
| | Enumerated values: | | |
| | 0x0 → INACTIVE: R_TX_OVER interrupt is inactive | | |
| | 0x1 → ACTIVE: R_TX_OVER interrupt is active | | |
| 2 | R_RX_FULL: See IC_RAW_INTR_STAT for a detailed description of R_RX_FULL bit. Reset value: 0x0 | RO | 0x0 |
| | Enumerated values: | | |
| | 0x0 → INACTIVE: R_RX_FULL interrupt is inactive | | |
| | 0x1 → ACTIVE: R_RX_FULL interrupt is active | | |
| 1 | R_RX_OVER: See IC_RAW_INTR_STAT for a detailed description of R_RX_OVER bit. Reset value: 0x0 | RO | 0x0 |
| | Enumerated values: | | |
| | 0x0 → INACTIVE: R_RX_OVER interrupt is inactive | | |
| | 0x1 → ACTIVE: R_RX_OVER interrupt is active | | |
| 0 | R_RX_UNDER: See IC_RAW_INTR_STAT for a detailed description of R_RX_UNDER bit. Reset value: 0x0 | RO | 0x0 |
| | Enumerated values: | | |
| | 0x0 → INACTIVE: RX_UNDER interrupt is inactive | | |
| | 0x1 → ACTIVE: RX_UNDER interrupt is active | | |

I2C: IC_INTR_MASK Register

Offset: 0x30

Description

I2C Interrupt Mask Register.

These bits mask their corresponding interrupt status bits. This register is active low; a value of 0 masks the interrupt, whereas a value of 1 unmask the interrupt.

Table 1065.
IC_INTR_MASK
Register

| Bits | Description | Type | Reset |
|-------|---|------|-------|
| 31:13 | Reserved. | - | - |
| 12 | M_RESTART_DET : This bit masks the R_RESTART_DET interrupt in IC_INTR_STAT register. Reset value: 0x0 | RW | 0x0 |
| | Enumerated values: | | |
| | 0x0 → ENABLED: RESTART_DET interrupt is masked | | |
| | 0x1 → DISABLED: RESTART_DET interrupt is unmasked | | |
| 11 | M_GEN_CALL : This bit masks the R_GEN_CALL interrupt in IC_INTR_STAT register. Reset value: 0x1 | RW | 0x1 |
| | Enumerated values: | | |
| | 0x0 → ENABLED: GEN_CALL interrupt is masked | | |
| | 0x1 → DISABLED: GEN_CALL interrupt is unmasked | | |
| 10 | M_START_DET : This bit masks the R_START_DET interrupt in IC_INTR_STAT register. Reset value: 0x0 | RW | 0x0 |
| | Enumerated values: | | |
| | 0x0 → ENABLED: START_DET interrupt is masked | | |
| | 0x1 → DISABLED: START_DET interrupt is unmasked | | |
| 9 | M_STOP_DET : This bit masks the R_STOP_DET interrupt in IC_INTR_STAT register. Reset value: 0x0 | RW | 0x0 |
| | Enumerated values: | | |
| | 0x0 → ENABLED: STOP_DET interrupt is masked | | |
| | 0x1 → DISABLED: STOP_DET interrupt is unmasked | | |
| 8 | M_ACTIVITY : This bit masks the R_ACTIVITY interrupt in IC_INTR_STAT register. Reset value: 0x0 | RW | 0x0 |
| | Enumerated values: | | |
| | 0x0 → ENABLED: ACTIVITY interrupt is masked | | |
| | 0x1 → DISABLED: ACTIVITY interrupt is unmasked | | |
| 7 | M_RX_DONE : This bit masks the R_RX_DONE interrupt in IC_INTR_STAT register. Reset value: 0x1 | RW | 0x1 |
| | Enumerated values: | | |
| | 0x0 → ENABLED: RX_DONE interrupt is masked | | |

| Bits | Description | Type | Reset |
|------|---|------|-------|
| | 0x1 → DISABLED: RX_DONE interrupt is unmasked | | |
| 6 | M_TX_ABRT : This bit masks the R_TX_ABRT interrupt in IC_INTR_STAT register. Reset value: 0x1 | RW | 0x1 |
| | Enumerated values: | | |
| | 0x0 → ENABLED: TX_ABORT interrupt is masked | | |
| | 0x1 → DISABLED: TX_ABORT interrupt is unmasked | | |
| 5 | M_RD_REQ : This bit masks the R_RD_REQ interrupt in IC_INTR_STAT register. Reset value: 0x1 | RW | 0x1 |
| | Enumerated values: | | |
| | 0x0 → ENABLED: RD_REQ interrupt is masked | | |
| | 0x1 → DISABLED: RD_REQ interrupt is unmasked | | |
| 4 | M_TX_EMPTY : This bit masks the R_TX_EMPTY interrupt in IC_INTR_STAT register. Reset value: 0x1 | RW | 0x1 |
| | Enumerated values: | | |
| | 0x0 → ENABLED: TX_EMPTY interrupt is masked | | |
| | 0x1 → DISABLED: TX_EMPTY interrupt is unmasked | | |
| 3 | M_TX_OVER : This bit masks the R_TX_OVER interrupt in IC_INTR_STAT register. Reset value: 0x1 | RW | 0x1 |
| | Enumerated values: | | |
| | 0x0 → ENABLED: TX_OVER interrupt is masked | | |
| | 0x1 → DISABLED: TX_OVER interrupt is unmasked | | |
| 2 | M_RX_FULL : This bit masks the R_RX_FULL interrupt in IC_INTR_STAT register. Reset value: 0x1 | RW | 0x1 |
| | Enumerated values: | | |
| | 0x0 → ENABLED: RX_FULL interrupt is masked | | |
| | 0x1 → DISABLED: RX_FULL interrupt is unmasked | | |
| 1 | M_RX_OVER : This bit masks the R_RX_OVER interrupt in IC_INTR_STAT register. Reset value: 0x1 | RW | 0x1 |
| | Enumerated values: | | |
| | 0x0 → ENABLED: RX_OVER interrupt is masked | | |
| | 0x1 → DISABLED: RX_OVER interrupt is unmasked | | |

| Bits | Description | Type | Reset |
|------|---|------|-------|
| 0 | M_RX_UNDER : This bit masks the R_RX_UNDER interrupt in IC_INTR_STAT register. Reset value: 0x1 | RW | 0x1 |
| | Enumerated values: | | |
| | 0x0 → ENABLED: RX_UNDER interrupt is masked | | |
| | 0x1 → DISABLED: RX_UNDER interrupt is unmasked | | |

I2C: IC_RAW_INTR_STAT Register

Offset: 0x34

Description

I2C Raw Interrupt Status Register

Unlike the IC_INTR_STAT register, these bits are not masked so they always show the true status of the DW_apb_i2c.

Table 1066.
IC_RAW_INTR_STAT
Register

| Bits | Description | Type | Reset |
|-------|---|------|-------|
| 31:13 | Reserved. | - | - |
| 12 | RESTART_DET : Indicates whether a RESTART condition has occurred on the I2C interface when DW_apb_i2c is operating in Slave mode and the slave is being addressed. Enabled only when IC_SLV_RESTART_DET_EN=1. Note: However, in high-speed mode or during a START BYTE transfer, the RESTART comes before the address field as per the I2C protocol. In this case, the slave is not the addressed slave when the RESTART is issued, therefore DW_apb_i2c does not generate the RESTART_DET interrupt. Reset value: 0x0 | RO | 0x0 |
| | Enumerated values: | | |
| | 0x0 → INACTIVE: RESTART_DET interrupt is inactive | | |
| | 0x1 → ACTIVE: RESTART_DET interrupt is active | | |
| 11 | GEN_CALL : Set only when a General Call address is received and it is acknowledged. It stays set until it is cleared either by disabling DW_apb_i2c or when the CPU reads bit 0 of the IC_CLR_GEN_CALL register. DW_apb_i2c stores the received data in the Rx buffer. Reset value: 0x0 | RO | 0x0 |
| | Enumerated values: | | |
| | 0x0 → INACTIVE: GEN_CALL interrupt is inactive | | |
| | 0x1 → ACTIVE: GEN_CALL interrupt is active | | |
| 10 | START_DET : Indicates whether a START or RESTART condition has occurred on the I2C interface regardless of whether DW_apb_i2c is operating in slave or master mode. Reset value: 0x0 | RO | 0x0 |
| | Enumerated values: | | |

| Bits | Description | Type | Reset |
|------|--|------|-------|
| | 0x0 → INACTIVE: START_DET interrupt is inactive | | |
| | 0x1 → ACTIVE: START_DET interrupt is active | | |
| 9 | <p>STOP_DET: Indicates whether a STOP condition has occurred on the I2C interface regardless of whether DW_apb_i2c is operating in slave or master mode.</p> <p>In Slave Mode: - If IC_CON[7]=1'b1 (STOP_DET_IFADDRESSED), the STOP_DET interrupt will be issued only if slave is addressed. Note: During a general call address, this slave does not issue a STOP_DET interrupt if STOP_DET_IF_ADDRESSED=1'b1, even if the slave responds to the general call address by generating ACK. The STOP_DET interrupt is generated only when the transmitted address matches the slave address (SAR). - If IC_CON[7]=1'b0 (STOP_DET_IFADDRESSED), the STOP_DET interrupt is issued irrespective of whether it is being addressed. In Master Mode: - If IC_CON[10]=1'b1 (STOP_DET_IF_MASTER_ACTIVE), the STOP_DET interrupt will be issued only if Master is active. - If IC_CON[10]=1'b0 (STOP_DET_IFADDRESSED), the STOP_DET interrupt will be issued irrespective of whether master is active or not. Reset value: 0x0</p> | RO | 0x0 |
| | Enumerated values: | | |
| | 0x0 → INACTIVE: STOP_DET interrupt is inactive | | |
| | 0x1 → ACTIVE: STOP_DET interrupt is active | | |
| 8 | <p>ACTIVITY: This bit captures DW_apb_i2c activity and stays set until it is cleared. There are four ways to clear it: - Disabling the DW_apb_i2c - Reading the IC_CLR_ACTIVITY register - Reading the IC_CLR_INTR register - System reset Once this bit is set, it stays set unless one of the four methods is used to clear it. Even if the DW_apb_i2c module is idle, this bit remains set until cleared, indicating that there was activity on the bus.</p> <p>Reset value: 0x0</p> | RO | 0x0 |
| | Enumerated values: | | |
| | 0x0 → INACTIVE: RAW_INTR_ACTIVITY interrupt is inactive | | |
| | 0x1 → ACTIVE: RAW_INTR_ACTIVITY interrupt is active | | |
| 7 | <p>RX_DONE: When the DW_apb_i2c is acting as a slave-transmitter, this bit is set to 1 if the master does not acknowledge a transmitted byte. This occurs on the last byte of the transmission, indicating that the transmission is done.</p> <p>Reset value: 0x0</p> | RO | 0x0 |
| | Enumerated values: | | |
| | 0x0 → INACTIVE: RX_DONE interrupt is inactive | | |
| | 0x1 → ACTIVE: RX_DONE interrupt is active | | |

| Bits | Description | Type | Reset |
|------|---|------|-------|
| 6 | <p>TX_ABRT: This bit indicates if DW_apb_i2c, as an I2C transmitter, is unable to complete the intended actions on the contents of the transmit FIFO. This situation can occur both as an I2C master or an I2C slave, and is referred to as a 'transmit abort'. When this bit is set to 1, the IC_TX_ABRT_SOURCE register indicates the reason why the transmit abort takes places.</p> <p>Note: The DW_apb_i2c flushes/resets/empties the TX_FIFO and RX_FIFO whenever there is a transmit abort caused by any of the events tracked by the IC_TX_ABRT_SOURCE register. The FIFOs remains in this flushed state until the register IC_CLR_TX_ABRT is read. Once this read is performed, the Tx FIFO is then ready to accept more data bytes from the APB interface.</p> <p>Reset value: 0x0</p> | RO | 0x0 |
| | Enumerated values: | | |
| | 0x0 → INACTIVE: TX_ABRT interrupt is inactive | | |
| | 0x1 → ACTIVE: TX_ABRT interrupt is active | | |
| 5 | <p>RD_REQ: This bit is set to 1 when DW_apb_i2c is acting as a slave and another I2C master is attempting to read data from DW_apb_i2c. The DW_apb_i2c holds the I2C bus in a wait state (SCL=0) until this interrupt is serviced, which means that the slave has been addressed by a remote master that is asking for data to be transferred. The processor must respond to this interrupt and then write the requested data to the IC_DATA_CMD register. This bit is set to 0 just after the processor reads the IC_CLR_RD_REQ register.</p> <p>Reset value: 0x0</p> | RO | 0x0 |
| | Enumerated values: | | |
| | 0x0 → INACTIVE: RD_REQ interrupt is inactive | | |
| | 0x1 → ACTIVE: RD_REQ interrupt is active | | |
| 4 | <p>TX_EMPTY: The behavior of the TX_EMPTY interrupt status differs based on the TX_EMPTY_CTRL selection in the IC_CON register. - When TX_EMPTY_CTRL = 0: This bit is set to 1 when the transmit buffer is at or below the threshold value set in the IC_TX_TL register. - When TX_EMPTY_CTRL = 1: This bit is set to 1 when the transmit buffer is at or below the threshold value set in the IC_TX_TL register and the transmission of the address/data from the internal shift register for the most recently popped command is completed. It is automatically cleared by hardware when the buffer level goes above the threshold. When IC_ENABLE[0] is set to 0, the TX FIFO is flushed and held in reset. There the TX FIFO looks like it has no data within it, so this bit is set to 1, provided there is activity in the master or slave state machines. When there is no longer any activity, then with ic_en=0, this bit is set to 0.</p> <p>Reset value: 0x0.</p> | RO | 0x0 |
| | Enumerated values: | | |
| | 0x0 → INACTIVE: TX_EMPTY interrupt is inactive | | |
| | 0x1 → ACTIVE: TX_EMPTY interrupt is active | | |

| Bits | Description | Type | Reset |
|------|---|------|-------|
| 3 | <p>TX_OVER: Set during transmit if the transmit buffer is filled to IC_TX_BUFFER_DEPTH and the processor attempts to issue another I2C command by writing to the IC_DATA_CMD register. When the module is disabled, this bit keeps its level until the master or slave state machines go into idle, and when ic_en goes to 0, this interrupt is cleared.</p> <p>Reset value: 0x0</p> | RO | 0x0 |
| | Enumerated values: | | |
| | 0x0 → INACTIVE: TX_OVER interrupt is inactive | | |
| | 0x1 → ACTIVE: TX_OVER interrupt is active | | |
| 2 | <p>RX_FULL: Set when the receive buffer reaches or goes above the RX_TL threshold in the IC_RX_TL register. It is automatically cleared by hardware when buffer level goes below the threshold. If the module is disabled (IC_ENABLE[0]=0), the RX FIFO is flushed and held in reset; therefore the RX FIFO is not full. So this bit is cleared once the IC_ENABLE bit 0 is programmed with a 0, regardless of the activity that continues.</p> <p>Reset value: 0x0</p> | RO | 0x0 |
| | Enumerated values: | | |
| | 0x0 → INACTIVE: RX_FULL interrupt is inactive | | |
| | 0x1 → ACTIVE: RX_FULL interrupt is active | | |
| 1 | <p>RX_OVER: Set if the receive buffer is completely filled to IC_RX_BUFFER_DEPTH and an additional byte is received from an external I2C device. The DW_apb_i2c acknowledges this, but any data bytes received after the FIFO is full are lost. If the module is disabled (IC_ENABLE[0]=0), this bit keeps its level until the master or slave state machines go into idle, and when ic_en goes to 0, this interrupt is cleared.</p> <p>Note: If bit 9 of the IC_CON register (RX_FIFO_FULL_HLD_CTRL) is programmed to HIGH, then the RX_OVER interrupt never occurs, because the Rx FIFO never overflows.</p> <p>Reset value: 0x0</p> | RO | 0x0 |
| | Enumerated values: | | |
| | 0x0 → INACTIVE: RX_OVER interrupt is inactive | | |
| | 0x1 → ACTIVE: RX_OVER interrupt is active | | |
| 0 | <p>RX_UNDER: Set if the processor attempts to read the receive buffer when it is empty by reading from the IC_DATA_CMD register. If the module is disabled (IC_ENABLE[0]=0), this bit keeps its level until the master or slave state machines go into idle, and when ic_en goes to 0, this interrupt is cleared.</p> <p>Reset value: 0x0</p> | RO | 0x0 |
| | Enumerated values: | | |
| | 0x0 → INACTIVE: RX_UNDER interrupt is inactive | | |
| | 0x1 → ACTIVE: RX_UNDER interrupt is active | | |

I2C: IC_RX_TL Register

Offset: 0x38

Description

I2C Receive FIFO Threshold Register

Table 1067. IC_RX_TL Register

| Bits | Description | Type | Reset |
|------|--|------|-------|
| 31:8 | Reserved. | - | - |
| 7:0 | <p>RX_TL: Receive FIFO Threshold Level.</p> <p>Controls the level of entries (or above) that triggers the RX_FULL interrupt (bit 2 in IC_RAW_INTR_STAT register). The valid range is 0-255, with the additional restriction that hardware does not allow this value to be set to a value larger than the depth of the buffer. If an attempt is made to do that, the actual value set will be the maximum depth of the buffer. A value of 0 sets the threshold for 1 entry, and a value of 255 sets the threshold for 256 entries.</p> | RW | 0x00 |

I2C: IC_TX_TL Register

Offset: 0x3c

Description

I2C Transmit FIFO Threshold Register

Table 1068. IC_TX_TL Register

| Bits | Description | Type | Reset |
|------|--|------|-------|
| 31:8 | Reserved. | - | - |
| 7:0 | <p>TX_TL: Transmit FIFO Threshold Level.</p> <p>Controls the level of entries (or below) that trigger the TX_EMPTY interrupt (bit 4 in IC_RAW_INTR_STAT register). The valid range is 0-255, with the additional restriction that it may not be set to value larger than the depth of the buffer. If an attempt is made to do that, the actual value set will be the maximum depth of the buffer. A value of 0 sets the threshold for 0 entries, and a value of 255 sets the threshold for 255 entries.</p> | RW | 0x00 |

I2C: IC_CLR_INTR Register

Offset: 0x40

Description

Clear Combined and Individual Interrupt Register

Table 1069.
IC_CLR_INTR Register

| Bits | Description | Type | Reset |
|------|--|------|-------|
| 31:1 | Reserved. | - | - |
| 0 | <p>CLR_INTR: Read this register to clear the combined interrupt, all individual interrupts, and the IC_TX_ABRT_SOURCE register. This bit does not clear hardware clearable interrupts but software clearable interrupts. Refer to Bit 9 of the IC_TX_ABRT_SOURCE register for an exception to clearing IC_TX_ABRT_SOURCE.</p> <p>Reset value: 0x0</p> | RO | 0x0 |

I2C: IC_CLR_RX_UNDER Register

Offset: 0x44

Description

Clear RX_UNDER Interrupt Register

Table 1070.
IC_CLR_RX_UNDER Register

| Bits | Description | Type | Reset |
|------|--|------|-------|
| 31:1 | Reserved. | - | - |
| 0 | <p>CLR_RX_UNDER: Read this register to clear the RX_UNDER interrupt (bit 0) of the IC_RAW_INTR_STAT register.</p> <p>Reset value: 0x0</p> | RO | 0x0 |

I2C: IC_CLR_RX_OVER Register

Offset: 0x48

Description

Clear RX_OVER Interrupt Register

Table 1071.
IC_CLR_RX_OVER Register

| Bits | Description | Type | Reset |
|------|--|------|-------|
| 31:1 | Reserved. | - | - |
| 0 | <p>CLR_RX_OVER: Read this register to clear the RX_OVER interrupt (bit 1) of the IC_RAW_INTR_STAT register.</p> <p>Reset value: 0x0</p> | RO | 0x0 |

I2C: IC_CLR_TX_OVER Register

Offset: 0x4c

Description

Clear TX_OVER Interrupt Register

Table 1072.
IC_CLR_TX_OVER
Register

| Bits | Description | Type | Reset |
|------|--|------|-------|
| 31:1 | Reserved. | - | - |
| 0 | CLR_TX_OVER : Read this register to clear the TX_OVER interrupt (bit 3) of the IC_RAW_INTR_STAT register. Reset value: 0x0 | RO | 0x0 |

I2C: IC_CLR_RD_REQ Register

Offset: 0x50

Description

Clear RD_REQ Interrupt Register

Table 1073.
IC_CLR_RD_REQ
Register

| Bits | Description | Type | Reset |
|------|--|------|-------|
| 31:1 | Reserved. | - | - |
| 0 | CLR_RD_REQ : Read this register to clear the RD_REQ interrupt (bit 5) of the IC_RAW_INTR_STAT register. Reset value: 0x0 | RO | 0x0 |

I2C: IC_CLR_TX_ABRT Register

Offset: 0x54

Description

Clear TX_ABRT Interrupt Register

Table 1074.
IC_CLR_TX_ABRT
Register

| Bits | Description | Type | Reset |
|------|---|------|-------|
| 31:1 | Reserved. | - | - |
| 0 | CLR_TX_ABRT : Read this register to clear the TX_ABRT interrupt (bit 6) of the IC_RAW_INTR_STAT register, and the IC_TX_ABRT_SOURCE register. This also releases the TX FIFO from the flushed/reset state, allowing more writes to the TX FIFO. Refer to Bit 9 of the IC_TX_ABRT_SOURCE register for an exception to clearing IC_TX_ABRT_SOURCE. Reset value: 0x0 | RO | 0x0 |

I2C: IC_CLR_RX_DONE Register

Offset: 0x58

Description

Clear RX_DONE Interrupt Register

Table 1075.
IC_CLR_RX_DONE
Register

| Bits | Description | Type | Reset |
|------|---|------|-------|
| 31:1 | Reserved. | - | - |
| 0 | CLR_RX_DONE: Read this register to clear the RX_DONE interrupt (bit 7) of the IC_RAW_INTR_STAT register. Reset value: 0x0 | RO | 0x0 |

I2C: IC_CLR_ACTIVITY Register

Offset: 0x5c

Description

Clear ACTIVITY Interrupt Register

Table 1076.
IC_CLR_ACTIVITY
Register

| Bits | Description | Type | Reset |
|------|--|------|-------|
| 31:1 | Reserved. | - | - |
| 0 | CLR_ACTIVITY: Reading this register clears the ACTIVITY interrupt if the I2C is not active anymore. If the I2C module is still active on the bus, the ACTIVITY interrupt bit continues to be set. It is automatically cleared by hardware if the module is disabled and if there is no further activity on the bus. The value read from this register to get status of the ACTIVITY interrupt (bit 8) of the IC_RAW_INTR_STAT register. Reset value: 0x0 | RO | 0x0 |

I2C: IC_CLR_STOP_DET Register

Offset: 0x60

Description

Clear STOP_DET Interrupt Register

Table 1077.
IC_CLR_STOP_DET
Register

| Bits | Description | Type | Reset |
|------|---|------|-------|
| 31:1 | Reserved. | - | - |
| 0 | CLR_STOP_DET: Read this register to clear the STOP_DET interrupt (bit 9) of the IC_RAW_INTR_STAT register. Reset value: 0x0 | RO | 0x0 |

I2C: IC_CLR_START_DET Register

Offset: 0x64

Description

Clear START_DET Interrupt Register

Table 1078.
IC_CLR_START_DET
Register

| Bits | Description | Type | Reset |
|------|---|------|-------|
| 31:1 | Reserved. | - | - |
| 0 | CLR_START_DET : Read this register to clear the START_DET interrupt (bit 10) of the IC_RAW_INTR_STAT register. Reset value: 0x0 | RO | 0x0 |

I2C: IC_CLR_GEN_CALL Register

Offset: 0x68

Description

Clear GEN_CALL Interrupt Register

Table 1079.
IC_CLR_GEN_CALL
Register

| Bits | Description | Type | Reset |
|------|---|------|-------|
| 31:1 | Reserved. | - | - |
| 0 | CLR_GEN_CALL : Read this register to clear the GEN_CALL interrupt (bit 11) of IC_RAW_INTR_STAT register. Reset value: 0x0 | RO | 0x0 |

I2C: IC_ENABLE Register

Offset: 0x6c

Description

I2C Enable Register

Table 1080.
IC_ENABLE Register

| Bits | Description | Type | Reset |
|------|--|------|-------|
| 31:3 | Reserved. | - | - |
| 2 | TX_CMD_BLOCK : In Master mode: - 1'b1: Blocks the transmission of data on I2C bus even if Tx FIFO has data to transmit. - 1'b0: The transmission of data starts on I2C bus automatically, as soon as the first data is available in the Tx FIFO. Note: To block the execution of Master commands, set the TX_CMD_BLOCK bit only when Tx FIFO is empty (IC_STATUS[2]==1) and Master is in Idle state (IC_STATUS[5] == 0). Any further commands put in the Tx FIFO are not executed until TX_CMD_BLOCK bit is unset. Reset value: IC_TX_CMD_BLOCK_DEFAULT | RW | 0x0 |
| | Enumerated values: | | |
| | 0x0 → NOT_BLOCKED: Tx Command execution not blocked | | |
| | 0x1 → BLOCKED: Tx Command execution blocked | | |

| Bits | Description | Type | Reset |
|------|---|------|-------|
| 1 | <p>ABORT: When set, the controller initiates the transfer abort. - 0: ABORT not initiated or ABORT done - 1: ABORT operation in progress The software can abort the I2C transfer in master mode by setting this bit. The software can set this bit only when ENABLE is already set; otherwise, the controller ignores any write to ABORT bit. The software cannot clear the ABORT bit once set. In response to an ABORT, the controller issues a STOP and flushes the Tx FIFO after completing the current transfer, then sets the TX_ABORT interrupt after the abort operation. The ABORT bit is cleared automatically after the abort operation.</p> <p>For a detailed description on how to abort I2C transfers, refer to 'Aborting I2C Transfers'.</p> <p>Reset value: 0x0</p> | RW | 0x0 |
| | Enumerated values: | | |
| | 0x0 → DISABLE: ABORT operation not in progress | | |
| | 0x1 → ENABLED: ABORT operation in progress | | |
| 0 | <p>ENABLE: Controls whether the DW_apb_i2c is enabled. - 0: Disables DW_apb_i2c (TX and RX FIFOs are held in an erased state) - 1: Enables DW_apb_i2c Software can disable DW_apb_i2c while it is active. However, it is important that care be taken to ensure that DW_apb_i2c is disabled properly. A recommended procedure is described in 'Disabling DW_apb_i2c'.</p> <p>When DW_apb_i2c is disabled, the following occurs: - The TX FIFO and RX FIFO get flushed. - Status bits in the IC_INTR_STAT register are still active until DW_apb_i2c goes into IDLE state. If the module is transmitting, it stops as well as deletes the contents of the transmit buffer after the current transfer is complete. If the module is receiving, the DW_apb_i2c stops the current transfer at the end of the current byte and does not acknowledge the transfer.</p> <p>In systems with asynchronous pclk and ic_clk when IC_CLK_TYPE parameter set to asynchronous (1), there is a two ic_clk delay when enabling or disabling the DW_apb_i2c. For a detailed description on how to disable DW_apb_i2c, refer to 'Disabling DW_apb_i2c'</p> <p>Reset value: 0x0</p> | RW | 0x0 |
| | Enumerated values: | | |
| | 0x0 → DISABLED: I2C is disabled | | |
| | 0x1 → ENABLED: I2C is enabled | | |

I2C: IC_STATUS Register

Offset: 0x70

Description

I2C Status Register

This is a read-only register used to indicate the current transfer status and FIFO status. The status register may be read at any time. None of the bits in this register request an interrupt.

When the I2C is disabled by writing 0 in bit 0 of the IC_ENABLE register: - Bits 1 and 2 are set to 1 - Bits 3 and 10 are set to 0 When the master or slave state machines goes to idle and ic_en=0: - Bits 5 and 6 are set to 0

Table 1081.
IC_STATUS Register

| Bits | Description | Type | Reset |
|------|--|------|-------|
| 31:7 | Reserved. | - | - |
| 6 | SLV_ACTIVITY: Slave FSM Activity Status. When the Slave Finite State Machine (FSM) is not in the IDLE state, this bit is set. - 0: Slave FSM is in IDLE state so the Slave part of DW_apb_i2c is not Active - 1: Slave FSM is not in IDLE state so the Slave part of DW_apb_i2c is Active Reset value: 0x0 | RO | 0x0 |
| | Enumerated values: | | |
| | 0x0 → IDLE: Slave is idle | | |
| | 0x1 → ACTIVE: Slave not idle | | |
| 5 | MST_ACTIVITY: Master FSM Activity Status. When the Master Finite State Machine (FSM) is not in the IDLE state, this bit is set. - 0: Master FSM is in IDLE state so the Master part of DW_apb_i2c is not Active - 1: Master FSM is not in IDLE state so the Master part of DW_apb_i2c is Active Note: IC_STATUS[0]-that is, ACTIVITY bit-is the OR of SLV_ACTIVITY and MST_ACTIVITY bits. Reset value: 0x0 | RO | 0x0 |
| | Enumerated values: | | |
| | 0x0 → IDLE: Master is idle | | |
| | 0x1 → ACTIVE: Master not idle | | |
| 4 | RFF: Receive FIFO Completely Full. When the receive FIFO is completely full, this bit is set. When the receive FIFO contains one or more empty location, this bit is cleared. - 0: Receive FIFO is not full - 1: Receive FIFO is full Reset value: 0x0 | RO | 0x0 |
| | Enumerated values: | | |
| | 0x0 → NOT_FULL: Rx FIFO not full | | |
| | 0x1 → FULL: Rx FIFO is full | | |
| 3 | RFNE: Receive FIFO Not Empty. This bit is set when the receive FIFO contains one or more entries; it is cleared when the receive FIFO is empty. - 0: Receive FIFO is empty - 1: Receive FIFO is not empty Reset value: 0x0 | RO | 0x0 |
| | Enumerated values: | | |
| | 0x0 → EMPTY: Rx FIFO is empty | | |
| | 0x1 → NOT_EMPTY: Rx FIFO not empty | | |
| 2 | TFE: Transmit FIFO Completely Empty. When the transmit FIFO is completely empty, this bit is set. When it contains one or more valid entries, this bit is cleared. This bit field does not request an interrupt. - 0: Transmit FIFO is not empty - 1: Transmit FIFO is empty Reset value: 0x1 | RO | 0x1 |
| | Enumerated values: | | |
| | 0x0 → NON_EMPTY: Tx FIFO not empty | | |
| | 0x1 → EMPTY: Tx FIFO is empty | | |
| 1 | TFNF: Transmit FIFO Not Full. Set when the transmit FIFO contains one or more empty locations, and is cleared when the FIFO is full. - 0: Transmit FIFO is full - 1: Transmit FIFO is not full Reset value: 0x1 | RO | 0x1 |
| | Enumerated values: | | |

| Bits | Description | Type | Reset |
|------|--|------|-------|
| | 0x0 → FULL: Tx FIFO is full | | |
| | 0x1 → NOT_FULL: Tx FIFO not full | | |
| 0 | ACTIVITY: I2C Activity Status. Reset value: 0x0 | RO | 0x0 |
| | Enumerated values: | | |
| | 0x0 → INACTIVE: I2C is idle | | |
| | 0x1 → ACTIVE: I2C is active | | |

I2C: IC_TXFLR Register

Offset: 0x74

Description

I2C Transmit FIFO Level Register This register contains the number of valid data entries in the transmit FIFO buffer. It is cleared whenever: - The I2C is disabled - There is a transmit abort - that is, TX_ABRT bit is set in the IC_RAW_INTR_STAT register - The slave bulk transmit mode is aborted The register increments whenever data is placed into the transmit FIFO and decrements when data is taken from the transmit FIFO.

Table 1082. IC_TXFLR Register

| Bits | Description | Type | Reset |
|------|--|------|-------|
| 31:5 | Reserved. | - | - |
| 4:0 | TXFLR: Transmit FIFO Level. Contains the number of valid data entries in the transmit FIFO. Reset value: 0x0 | RO | 0x00 |

I2C: IC_RXFLR Register

Offset: 0x78

Description

I2C Receive FIFO Level Register This register contains the number of valid data entries in the receive FIFO buffer. It is cleared whenever: - The I2C is disabled - Whenever there is a transmit abort caused by any of the events tracked in IC_TX_ABRT_SOURCE The register increments whenever data is placed into the receive FIFO and decrements when data is taken from the receive FIFO.

Table 1083. IC_RXFLR Register

| Bits | Description | Type | Reset |
|------|--|------|-------|
| 31:5 | Reserved. | - | - |
| 4:0 | RXFLR: Receive FIFO Level. Contains the number of valid data entries in the receive FIFO. Reset value: 0x0 | RO | 0x00 |

I2C: IC_SDA_HOLD Register

Offset: 0x7c

Description

I2C SDA Hold Time Length Register

The bits [15:0] of this register are used to control the hold time of SDA during transmit in both slave and master mode (after SCL goes from HIGH to LOW).

The bits [23:16] of this register are used to extend the SDA transition (if any) whenever SCL is HIGH in the receiver in

either master or slave mode.

Writes to this register succeed only when IC_ENABLE[0]=0.

The values in this register are in units of ic_clk period. The value programmed in IC_SDA_TX_HOLD must be greater than the minimum hold time in each mode (one cycle in master mode, seven cycles in slave mode) for the value to be implemented.

The programmed SDA hold time during transmit (IC_SDA_TX_HOLD) cannot exceed at any time the duration of the low part of scl. Therefore the programmed value cannot be larger than N_SCL_LOW-2, where N_SCL_LOW is the duration of the low part of the scl period measured in ic_clk cycles.

Table 1084.
IC_SDA_HOLD
Register

| Bits | Description | Type | Reset |
|-------|---|------|--------|
| 31:24 | Reserved. | - | - |
| 23:16 | IC_SDA_RX_HOLD: Sets the required SDA hold time in units of ic_clk period, when DW_apb_i2c acts as a receiver. Reset value: IC_DEFAULT_SDA_HOLD[23:16]. | RW | 0x00 |
| 15:0 | IC_SDA_TX_HOLD: Sets the required SDA hold time in units of ic_clk period, when DW_apb_i2c acts as a transmitter. Reset value: IC_DEFAULT_SDA_HOLD[15:0]. | RW | 0x0001 |

I2C: IC_TX_ABRT_SOURCE Register

Offset: 0x80

Description

I2C Transmit Abort Source Register

This register has 32 bits that indicate the source of the TX_ABRT bit. Except for Bit 9, this register is cleared whenever the IC_CLR_TX_ABRT register or the IC_CLR_INTR register is read. To clear Bit 9, the source of the ABRT_SBYTE_NORSTRT must be fixed first; RESTART must be enabled (IC_CON[5]=1), the SPECIAL bit must be cleared (IC_TAR[11]), or the GC_OR_START bit must be cleared (IC_TAR[10]).

Once the source of the ABRT_SBYTE_NORSTRT is fixed, then this bit can be cleared in the same manner as other bits in this register. If the source of the ABRT_SBYTE_NORSTRT is not fixed before attempting to clear this bit, Bit 9 clears for one cycle and is then re-asserted.

Table 1085.
IC_TX_ABRT_SOURCE
Register

| Bits | Description | Type | Reset |
|-------|--|------|-------|
| 31:23 | TX_FLUSH_CNT: This field indicates the number of Tx FIFO Data Commands which are flushed due to TX_ABRT interrupt. It is cleared whenever I2C is disabled. Reset value: 0x0 Role of DW_apb_i2c: Master-Transmitter or Slave-Transmitter | RO | 0x000 |
| 22:17 | Reserved. | - | - |
| 16 | ABRT_USER_ABRT: This is a master-mode-only bit. Master has detected the transfer abort (IC_ENABLE[1]) Reset value: 0x0 Role of DW_apb_i2c: Master-Transmitter | RO | 0x0 |
| | Enumerated values: | | |

| Bits | Description | Type | Reset |
|------|--|------|-------|
| | 0x0 → ABRT_USER_ABRT_VOID: Transfer abort detected by master- scenario not present | | |
| | 0x1 → ABRT_USER_ABRT_GENERATED: Transfer abort detected by master | | |
| 15 | <p>ABRT_SLVRD_INTX: 1: When the processor side responds to a slave mode request for data to be transmitted to a remote master and user writes a 1 in CMD (bit 8) of IC_DATA_CMD register.</p> <p>Reset value: 0x0</p> <p>Role of DW_apb_i2c: Slave-Transmitter</p> | RO | 0x0 |
| | Enumerated values: | | |
| | 0x0 → ABRT_SLVRD_INTX_VOID: Slave trying to transmit to remote master in read mode- scenario not present | | |
| | 0x1 → ABRT_SLVRD_INTX_GENERATED: Slave trying to transmit to remote master in read mode | | |
| 14 | <p>ABRT_SLV_ARBLOST: This field indicates that a Slave has lost the bus while transmitting data to a remote master. IC_TX_ABRT_SOURCE[12] is set at the same time. Note: Even though the slave never 'owns' the bus, something could go wrong on the bus. This is a fail safe check. For instance, during a data transmission at the low-to-high transition of SCL, if what is on the data bus is not what is supposed to be transmitted, then DW_apb_i2c no longer own the bus.</p> <p>Reset value: 0x0</p> <p>Role of DW_apb_i2c: Slave-Transmitter</p> | RO | 0x0 |
| | Enumerated values: | | |
| | 0x0 → ABRT_SLV_ARBLOST_VOID: Slave lost arbitration to remote master- scenario not present | | |
| | 0x1 → ABRT_SLV_ARBLOST_GENERATED: Slave lost arbitration to remote master | | |
| 13 | <p>ABRT_SLVFLUSH_TXFIFO: This field specifies that the Slave has received a read command and some data exists in the TX FIFO, so the slave issues a TX_ABRT interrupt to flush old data in TX FIFO.</p> <p>Reset value: 0x0</p> <p>Role of DW_apb_i2c: Slave-Transmitter</p> | RO | 0x0 |
| | Enumerated values: | | |
| | 0x0 → ABRT_SLVFLUSH_TXFIFO_VOID: Slave flushes existing data in TX-FIFO upon getting read command- scenario not present | | |
| | 0x1 → ABRT_SLVFLUSH_TXFIFO_GENERATED: Slave flushes existing data in TX-FIFO upon getting read command | | |

| Bits | Description | Type | Reset |
|------|---|------|-------|
| 12 | <p>ARB_LOST: This field specifies that the Master has lost arbitration, or if IC_TX_ABRT_SOURCE[14] is also set, then the slave transmitter has lost arbitration.</p> <p>Reset value: 0x0</p> <p>Role of DW_apb_i2c: Master-Transmitter or Slave-Transmitter</p> | RO | 0x0 |
| | Enumerated values: | | |
| | 0x0 → ABRT_LOST_VOID: Master or Slave-Transmitter lost arbitration- scenario not present | | |
| | 0x1 → ABRT_LOST_GENERATED: Master or Slave-Transmitter lost arbitration | | |
| 11 | <p>ABRT_MASTER_DIS: This field indicates that the User tries to initiate a Master operation with the Master mode disabled.</p> <p>Reset value: 0x0</p> <p>Role of DW_apb_i2c: Master-Transmitter or Master-Receiver</p> | RO | 0x0 |
| | Enumerated values: | | |
| | 0x0 → ABRT_MASTER_DIS_VOID: User initiating master operation when MASTER disabled- scenario not present | | |
| | 0x1 → ABRT_MASTER_DIS_GENERATED: User initiating master operation when MASTER disabled | | |
| 10 | <p>ABRT_10B_RD_NORSTR: This field indicates that the restart is disabled (IC_RESTART_EN bit (IC_CON[5]) =0) and the master sends a read command in 10-bit addressing mode.</p> <p>Reset value: 0x0</p> <p>Role of DW_apb_i2c: Master-Receiver</p> | RO | 0x0 |
| | Enumerated values: | | |
| | 0x0 → ABRT_10B_RD_VOID: Master not trying to read in 10Bit addressing mode when RESTART disabled | | |
| | 0x1 → ABRT_10B_RD_GENERATED: Master trying to read in 10Bit addressing mode when RESTART disabled | | |
| 9 | <p>ABRT_SBYTE_NORSTR: To clear Bit 9, the source of the ABRT_SBYTE_NORSTR must be fixed first; restart must be enabled (IC_CON[5]=1), the SPECIAL bit must be cleared (IC_TAR[11]), or the GC_OR_START bit must be cleared (IC_TAR[10]). Once the source of the ABRT_SBYTE_NORSTR is fixed, then this bit can be cleared in the same manner as other bits in this register. If the source of the ABRT_SBYTE_NORSTR is not fixed before attempting to clear this bit, bit 9 clears for one cycle and then gets reasserted. When this field is set to 1, the restart is disabled (IC_RESTART_EN bit (IC_CON[5]) =0) and the user is trying to send a START Byte.</p> <p>Reset value: 0x0</p> <p>Role of DW_apb_i2c: Master</p> | RO | 0x0 |

| Bits | Description | Type | Reset |
|------|--|------|-------|
| | Enumerated values: | | |
| | 0x0 → ABRT_SBYTE_NORSTRT_VOID: User trying to send START byte when RESTART disabled- scenario not present | | |
| | 0x1 → ABRT_SBYTE_NORSTRT_GENERATED: User trying to send START byte when RESTART disabled | | |
| 8 | <p>ABRT_HS_NORSTRT: This field indicates that the restart is disabled (IC_RESTART_EN bit (IC_CON[5]) =0) and the user is trying to use the master to transfer data in High Speed mode.</p> <p>Reset value: 0x0</p> <p>Role of DW_apb_i2c: Master-Transmitter or Master-Receiver</p> | RO | 0x0 |
| | Enumerated values: | | |
| | 0x0 → ABRT_HS_NORSTRT_VOID: User trying to switch Master to HS mode when RESTART disabled- scenario not present | | |
| | 0x1 → ABRT_HS_NORSTRT_GENERATED: User trying to switch Master to HS mode when RESTART disabled | | |
| 7 | <p>ABRT_SBYTE_ACKDET: This field indicates that the Master has sent a START Byte and the START Byte was acknowledged (wrong behavior).</p> <p>Reset value: 0x0</p> <p>Role of DW_apb_i2c: Master</p> | RO | 0x0 |
| | Enumerated values: | | |
| | 0x0 → ABRT_SBYTE_ACKDET_VOID: ACK detected for START byte- scenario not present | | |
| | 0x1 → ABRT_SBYTE_ACKDET_GENERATED: ACK detected for START byte | | |
| 6 | <p>ABRT_HS_ACKDET: This field indicates that the Master is in High Speed mode and the High Speed Master code was acknowledged (wrong behavior).</p> <p>Reset value: 0x0</p> <p>Role of DW_apb_i2c: Master</p> | RO | 0x0 |
| | Enumerated values: | | |
| | 0x0 → ABRT_HS_ACK_VOID: HS Master code ACKed in HS Mode- scenario not present | | |
| | 0x1 → ABRT_HS_ACK_GENERATED: HS Master code ACKed in HS Mode | | |
| 5 | <p>ABRT_GCALL_READ: This field indicates that DW_apb_i2c in the master mode has sent a General Call but the user programmed the byte following the General Call to be a read from the bus (IC_DATA_CMD[9] is set to 1).</p> <p>Reset value: 0x0</p> <p>Role of DW_apb_i2c: Master-Transmitter</p> | RO | 0x0 |
| | Enumerated values: | | |

| Bits | Description | Type | Reset |
|------|--|------|-------|
| | 0x0 → ABRT_GCALL_READ_VOID: GCALL is followed by read from bus-scenario not present | | |
| | 0x1 → ABRT_GCALL_READ_GENERATED: GCALL is followed by read from bus | | |
| 4 | <p>ABRT_GCALL_NOACK: This field indicates that DW_apb_i2c in master mode has sent a General Call and no slave on the bus acknowledged the General Call.</p> <p>Reset value: 0x0</p> <p>Role of DW_apb_i2c: Master-Transmitter</p> | RO | 0x0 |
| | Enumerated values: | | |
| | 0x0 → ABRT_GCALL_NOACK_VOID: GCALL not ACKed by any slave-scenario not present | | |
| | 0x1 → ABRT_GCALL_NOACK_GENERATED: GCALL not ACKed by any slave | | |
| 3 | <p>ABRT_TXDATA_NOACK: This field indicates the master-mode only bit. When the master receives an acknowledgement for the address, but when it sends data byte(s) following the address, it did not receive an acknowledge from the remote slave(s).</p> <p>Reset value: 0x0</p> <p>Role of DW_apb_i2c: Master-Transmitter</p> | RO | 0x0 |
| | Enumerated values: | | |
| | 0x0 → ABRT_TXDATA_NOACK_VOID: Transmitted data non-ACKed by addressed slave-scenario not present | | |
| | 0x1 → ABRT_TXDATA_NOACK_GENERATED: Transmitted data not ACKed by addressed slave | | |
| 2 | <p>ABRT_10ADDR2_NOACK: This field indicates that the Master is in 10-bit address mode and that the second address byte of the 10-bit address was not acknowledged by any slave.</p> <p>Reset value: 0x0</p> <p>Role of DW_apb_i2c: Master-Transmitter or Master-Receiver</p> | RO | 0x0 |
| | Enumerated values: | | |
| | 0x0 → INACTIVE: This abort is not generated | | |
| | 0x1 → ACTIVE: Byte 2 of 10Bit Address not ACKed by any slave | | |
| 1 | <p>ABRT_10ADDR1_NOACK: This field indicates that the Master is in 10-bit address mode and the first 10-bit address byte was not acknowledged by any slave.</p> <p>Reset value: 0x0</p> <p>Role of DW_apb_i2c: Master-Transmitter or Master-Receiver</p> | RO | 0x0 |
| | Enumerated values: | | |
| | 0x0 → INACTIVE: This abort is not generated | | |

| Bits | Description | Type | Reset |
|------|--|------|-------|
| | 0x1 → ACTIVE: Byte 1 of 10Bit Address not ACKed by any slave | | |
| 0 | ABRT_7B_ADDR_NOACK: This field indicates that the Master is in 7-bit addressing mode and the address sent was not acknowledged by any slave. Reset value: 0x0 Role of DW_apb_i2c: Master-Transmitter or Master-Receiver | RO | 0x0 |
| | Enumerated values: | | |
| | 0x0 → INACTIVE: This abort is not generated | | |
| | 0x1 → ACTIVE: This abort is generated because of NOACK for 7-bit address | | |

I2C: IC_SLV_DATA_NACK_ONLY Register

Offset: 0x84

Description

Generate Slave Data NACK Register

The register is used to generate a NACK for the data part of a transfer when DW_apb_i2c is acting as a slave-receiver. This register only exists when the IC_SLV_DATA_NACK_ONLY parameter is set to 1. When this parameter disabled, this register does not exist and writing to the register's address has no effect.

A write can occur on this register if both of the following conditions are met: - DW_apb_i2c is disabled (IC_ENABLE[0] = 0) - Slave part is inactive (IC_STATUS[6] = 0) Note: The IC_STATUS[6] is a register read-back location for the internal slv_activity signal; the user should poll this before writing the ic_slv_data_nack_only bit.

Table 1086.
IC_SLV_DATA_NACK_ONLY Register

| Bits | Description | Type | Reset |
|------|---|------|-------|
| 31:1 | Reserved. | - | - |
| 0 | NACK: Generate NACK. This NACK generation only occurs when DW_apb_i2c is a slave-receiver. If this register is set to a value of 1, it can only generate a NACK after a data byte is received; hence, the data transfer is aborted and the data received is not pushed to the receive buffer. When the register is set to a value of 0, it generates NACK/ACK, depending on normal criteria. - 1: generate NACK after data byte received - 0: generate NACK/ACK normally Reset value: 0x0 | RW | 0x0 |
| | Enumerated values: | | |
| | 0x0 → DISABLED: Slave receiver generates NACK normally | | |
| | 0x1 → ENABLED: Slave receiver generates NACK upon data reception only | | |

I2C: IC_DMA_CR Register

Offset: 0x88

Description

DMA Control Register

The register is used to enable the DMA Controller interface operation. There is a separate bit for transmit and receive. This can be programmed regardless of the state of IC_ENABLE.

Table 1087.
IC_DMA_CR Register

| Bits | Description | Type | Reset |
|------|-------------|------|-------|
| 31:2 | Reserved. | - | - |

| Bits | Description | Type | Reset |
|------|---|------|-------|
| 1 | TDMAE : Transmit DMA Enable. This bit enables/disables the transmit FIFO DMA channel. Reset value: 0x0 | RW | 0x0 |
| | Enumerated values: | | |
| | 0x0 → DISABLED: transmit FIFO DMA channel disabled | | |
| | 0x1 → ENABLED: Transmit FIFO DMA channel enabled | | |
| 0 | RDMAE : Receive DMA Enable. This bit enables/disables the receive FIFO DMA channel. Reset value: 0x0 | RW | 0x0 |
| | Enumerated values: | | |
| | 0x0 → DISABLED: Receive FIFO DMA channel disabled | | |
| | 0x1 → ENABLED: Receive FIFO DMA channel enabled | | |

I2C: IC_DMA_TDLR Register

Offset: 0x8c

Description

DMA Transmit Data Level Register

Table 1088.
IC_DMA_TDLR
Register

| Bits | Description | Type | Reset |
|------|---|------|-------|
| 31:4 | Reserved. | - | - |
| 3:0 | DMATDL : Transmit Data Level. This bit field controls the level at which a DMA request is made by the transmit logic. It is equal to the watermark level; that is, the dma_tx_req signal is generated when the number of valid data entries in the transmit FIFO is equal to or below this field value, and TDMAE = 1. Reset value: 0x0 | RW | 0x0 |

I2C: IC_DMA_RDLR Register

Offset: 0x90

Description

I2C Receive Data Level Register

Table 1089.
IC_DMA_RDLR
Register

| Bits | Description | Type | Reset |
|------|---|------|-------|
| 31:4 | Reserved. | - | - |
| 3:0 | DMARDL : Receive Data Level. This bit field controls the level at which a DMA request is made by the receive logic. The watermark level = DMARDL+1; that is, dma_rx_req is generated when the number of valid data entries in the receive FIFO is equal to or more than this field value + 1, and RDMAE =1. For instance, when DMARDL is 0, then dma_rx_req is asserted when 1 or more data entries are present in the receive FIFO. Reset value: 0x0 | RW | 0x0 |

I2C: IC_SDA_SETUP Register

Offset: 0x94

Description

I2C SDA Setup Register

This register controls the amount of time delay (in terms of number of ic_clk clock periods) introduced in the rising edge of SCL - relative to SDA changing - when DW_apb_i2c services a read request in a slave-transmitter operation. The relevant I2C requirement is tSU:DAT (note 4) as detailed in the I2C Bus Specification. This register must be programmed with a value equal to or greater than 2.

Writes to this register succeed only when IC_ENABLE[0] = 0.

Note: The length of setup time is calculated using $[(IC_SDA_SETUP - 1) * (ic_clk_period)]$, so if the user requires 10 ic_clk periods of setup time, they should program a value of 11. The IC_SDA_SETUP register is only used by the DW_apb_i2c when operating as a slave transmitter.

Table 1090.
IC_SDA_SETUP
Register

| Bits | Description | Type | Reset |
|------|--|------|-------|
| 31:8 | Reserved. | - | - |
| 7:0 | SDA_SETUP : SDA Setup. It is recommended that if the required delay is 1000ns, then for an ic_clk frequency of 10 MHz, IC_SDA_SETUP should be programmed to a value of 11. IC_SDA_SETUP must be programmed with a minimum value of 2. | RW | 0x64 |

I2C: IC_ACK_GENERAL_CALL Register

Offset: 0x98

Description

I2C ACK General Call Register

The register controls whether DW_apb_i2c responds with a ACK or NACK when it receives an I2C General Call address.

This register is applicable only when the DW_apb_i2c is in slave mode.

Table 1091.
IC_ACK_GENERAL_CALL Register

| Bits | Description | Type | Reset |
|------|---|------|-------|
| 31:1 | Reserved. | - | - |
| 0 | ACK_GEN_CALL : ACK General Call. When set to 1, DW_apb_i2c responds with a ACK (by asserting ic_data_oe) when it receives a General Call. Otherwise, DW_apb_i2c responds with a NACK (by negating ic_data_oe). | RW | 0x1 |
| | Enumerated values: | | |
| | 0x0 → DISABLED: Generate NACK for a General Call | | |
| | 0x1 → ENABLED: Generate ACK for a General Call | | |

I2C: IC_ENABLE_STATUS Register

Offset: 0x9c

Description

I2C Enable Status Register

The register is used to report the DW_apb_i2c hardware status when the IC_ENABLE[0] register is set from 1 to 0; that is, when DW_apb_i2c is disabled.

If IC_ENABLE[0] has been set to 1, bits 2:1 are forced to 0, and bit 0 is forced to 1.

If IC_ENABLE[0] has been set to 0, bits 2:1 is only be valid as soon as bit 0 is read as '0'.

Note: When IC_ENABLE[0] has been set to 0, a delay occurs for bit 0 to be read as 0 because disabling the DW_apb_i2c depends on I2C bus activities.

Table 1092.
IC_ENABLE_STATUS
Register

| Bits | Description | Type | Reset |
|------|---|------|-------|
| 31:3 | Reserved. | - | - |
| 2 | <p>SLV_RX_DATA_LOST: Slave Received Data Lost. This bit indicates if a Slave-Receiver operation has been aborted with at least one data byte received from an I2C transfer due to the setting bit 0 of IC_ENABLE from 1 to 0. When read as 1, DW_apb_i2c is deemed to have been actively engaged in an aborted I2C transfer (with matching address) and the data phase of the I2C transfer has been entered, even though a data byte has been responded with a NACK.</p> <p>Note: If the remote I2C master terminates the transfer with a STOP condition before the DW_apb_i2c has a chance to NACK a transfer, and IC_ENABLE[0] has been set to 0, then this bit is also set to 1.</p> <p>When read as 0, DW_apb_i2c is deemed to have been disabled without being actively involved in the data phase of a Slave-Receiver transfer.</p> <p>Note: The CPU can safely read this bit when IC_EN (bit 0) is read as 0.</p> <p>Reset value: 0x0</p> | RO | 0x0 |
| | Enumerated values: | | |
| | 0x0 → INACTIVE: Slave RX Data is not lost | | |
| | 0x1 → ACTIVE: Slave RX Data is lost | | |
| 1 | <p>SLV_DISABLED_WHILE_BUSY: Slave Disabled While Busy (Transmit, Receive). This bit indicates if a potential or active Slave operation has been aborted due to the setting bit 0 of the IC_ENABLE register from 1 to 0. This bit is set when the CPU writes a 0 to the IC_ENABLE register while:</p> <p>(a) DW_apb_i2c is receiving the address byte of the Slave-Transmitter operation from a remote master;</p> <p>OR,</p> <p>(b) address and data bytes of the Slave-Receiver operation from a remote master.</p> <p>When read as 1, DW_apb_i2c is deemed to have forced a NACK during any part of an I2C transfer, irrespective of whether the I2C address matches the slave address set in DW_apb_i2c (IC_SAR register) OR if the transfer is completed before IC_ENABLE is set to 0 but has not taken effect.</p> <p>Note: If the remote I2C master terminates the transfer with a STOP condition before the DW_apb_i2c has a chance to NACK a transfer, and IC_ENABLE[0] has been set to 0, then this bit will also be set to 1.</p> <p>When read as 0, DW_apb_i2c is deemed to have been disabled when there is master activity, or when the I2C bus is idle.</p> <p>Note: The CPU can safely read this bit when IC_EN (bit 0) is read as 0.</p> <p>Reset value: 0x0</p> | RO | 0x0 |
| | Enumerated values: | | |

| Bits | Description | Type | Reset |
|------|---|------|-------|
| | 0x0 → INACTIVE: Slave is disabled when it is idle | | |
| | 0x1 → ACTIVE: Slave is disabled when it is active | | |
| 0 | IC_EN: ic_en Status. This bit always reflects the value driven on the output port ic_en. - When read as 1, DW_apb_i2c is deemed to be in an enabled state. - When read as 0, DW_apb_i2c is deemed completely inactive. Note: The CPU can safely read this bit anytime. When this bit is read as 0, the CPU can safely read SLV_RX_DATA_LOST (bit 2) and SLV_DISABLED_WHILE_BUSY (bit 1). Reset value: 0x0 | RO | 0x0 |
| | Enumerated values: | | |
| | 0x0 → DISABLED: I2C disabled | | |
| | 0x1 → ENABLED: I2C enabled | | |

I2C: IC_FS_SPKLEN Register

Offset: 0xa0

Description

I2C SS, FS or FM+ spike suppression limit

This register is used to store the duration, measured in ic_clk cycles, of the longest spike that is filtered out by the spike suppression logic when the component is operating in SS, FS or FM+ modes. The relevant I2C requirement is tSP (table 4) as detailed in the I2C Bus Specification. This register must be programmed with a minimum value of 1.

Table 1093.
IC_FS_SPKLEN
Register

| Bits | Description | Type | Reset |
|------|--|------|-------|
| 31:8 | Reserved. | - | - |
| 7:0 | IC_FS_SPKLEN: This register must be set before any I2C bus transaction can take place to ensure stable operation. This register sets the duration, measured in ic_clk cycles, of the longest spike in the SCL or SDA lines that will be filtered out by the spike suppression logic. This register can be written only when the I2C interface is disabled which corresponds to the IC_ENABLE[0] register being set to 0. Writes at other times have no effect. The minimum valid value is 1; hardware prevents values less than this being written, and if attempted results in 1 being set. or more information, refer to 'Spike Suppression'. | RW | 0x07 |

I2C: IC_CLR_RESTART_DET Register

Offset: 0xa8

Description

Clear RESTART_DET Interrupt Register

Table 1094.
IC_CLR_RESTART_DET
Register

| Bits | Description | Type | Reset |
|------|---|------|-------|
| 31:1 | Reserved. | - | - |
| 0 | CLR_RESTART_DET : Read this register to clear the RESTART_DET interrupt (bit 12) of IC_RAW_INTR_STAT register. Reset value: 0x0 | RO | 0x0 |

I2C: IC_COMP_PARAM_1 Register

Offset: 0xf4

Description

Component Parameter Register 1

Note This register is not implemented and therefore reads as 0. If it was implemented it would be a constant read-only register that contains encoded information about the component's parameter settings. Fields shown below are the settings for those parameters

Table 1095.
IC_COMP_PARAM_1
Register

| Bits | Description | Type | Reset |
|-------|---|------|-------|
| 31:24 | Reserved. | - | - |
| 23:16 | TX_BUFFER_DEPTH : TX Buffer Depth = 16 | RO | 0x00 |
| 15:8 | RX_BUFFER_DEPTH : RX Buffer Depth = 16 | RO | 0x00 |
| 7 | ADD_ENCODED_PARAMS : Encoded parameters not visible | RO | 0x0 |
| 6 | HAS_DMA : DMA handshaking signals are enabled | RO | 0x0 |
| 5 | INTR_IO : COMBINED Interrupt outputs | RO | 0x0 |
| 4 | HC_COUNT_VALUES : Programmable count values for each mode. | RO | 0x0 |
| 3:2 | MAX_SPEED_MODE : MAX SPEED MODE = FAST MODE | RO | 0x0 |
| 1:0 | APB_DATA_WIDTH : APB data bus width is 32 bits | RO | 0x0 |

I2C: IC_COMP_VERSION Register

Offset: 0xf8

Description

I2C Component Version Register

Table 1096.
IC_COMP_VERSION
Register

| Bits | Description | Type | Reset |
|------|------------------------|------|------------|
| 31:0 | IC_COMP_VERSION | RO | 0x3230312a |

I2C: IC_COMP_TYPE Register

Offset: 0xfc

Description

I2C Component Type Register

Table 1097.
IC_COMP_TYPE
Register

| Bits | Description | Type | Reset |
|------|--|------|------------|
| 31:0 | IC_COMP_TYPE: Designware Component Type number = 0x44_57_01_40. This assigned unique hex value is constant and is derived from the two ASCII letters 'DW' followed by a 16-bit unsigned number. | RO | 0x44570140 |

12.3. SPI

Arm Documentation

Excerpted from the [ARM PrimeCell Synchronous Serial Port \(PL022\) Technical Reference Manual](#). Used with permission.

RP2350 has two identical SPI controllers, both based on an Arm Primecell Synchronous Serial Port (SSP) (PL022) (Revision r1p4). This is distinct from the QSPI memory interface covered in [Section 12.14](#).

Each controller supports the following features:

- Master or Slave modes
 - Motorola SPI-compatible interface
 - Texas Instruments synchronous serial interface
 - National Semiconductor Microwire interface
- 8-location TX and RX FIFOs
- Interrupt generation to service FIFOs or indicate error conditions
- Can be driven from DMA
- Programmable clock rate
- Programmable data size 4-16 bits

Each controller can be connected to a number of GPIO pins as defined in the Bank 0 GPIO function table, [Table 646](#) ([Section 9.4](#)).

The entries in the GPIO function table, such as "SPI0 TX", specify the SPI instance and the SPI signal for that instance which are available on that GPIO. The signals in the table are described as:

SCK

Serial clock. Connects to the SPI peripheral clock signals described as **SSPCLKOUT** and **SSPCLKIN** in the following sections. These pins are inputs in slave mode, and outputs in master mode.

TX

Serial data output. Connects to the SPI peripheral **SSPTXD** (data out) and **nSSPOE** (output enable) signals described in the following sections. This is always a data output, independent of the bus role. The SPI peripheral controls tristating depending on chip select status.

RX

Serial data input. Connects to the SPI peripheral **SSPRXD** data input described in the following sections. This is always a data input, independent of the bus role.

CSn

Active-low chip select. Connects to the SPI peripheral signals **SSPFSSOUT** and **SSPFSSIN** described in the following sections. These pins are inputs in slave mode, and outputs in master mode.

The SPI uses **clk_peri** as its reference clock for SPI timing, and is referred to as **SSPCLK** in the following sections. **clk_sys** is used as the bus clock, and is referred to as **PCLK** in the following sections (also see [Figure 33](#)).

12.3.1. Changes from RP2040

The output enable of the `SSPTXD` data output (connecting to pins listed as SPI0 TX and SPI1 TX in the GPIO function tables) is controlled by the SPI peripheral `nSSPOE` signal. The peripheral automatically tristates its output when deselected in slave mode. This makes software control of the output enable unnecessary even when multiple slaves share the data lines.

12.3.2. Overview

The PrimeCell SSP is a master or slave interface for synchronous serial communication with peripheral devices that have Motorola SPI, National Semiconductor Microwire, or Texas Instruments synchronous serial interfaces.

The PrimeCell SSP performs serial-to-parallel conversion on data received from a peripheral device. The CPU accesses data, control, and status information through the AMBA APB interface. The transmit and receive paths are buffered with internal FIFO memories, enabling up to eight 16-bit values to be stored independently in both transmit and receive modes. Serial data transmits on `SSPTXD` and is received on `SSPRXD`.

The PrimeCell SSP includes a programmable bit rate clock divider and prescaler to generate the serial output clock, `SSPCLKOUT`, from the input clock, `SSPCLK`. Bit rates are supported to 2MHz and higher, subject to choice of frequency for `SSPCLK`, and the maximum bit rate is determined by peripheral devices.

You can use the control registers `SSPCR0` and `SSPCR1` to program the PrimeCell SSP operating mode, frame format, and size.

The following individually maskable interrupts are generated:

- `SSPTXINTR` requests servicing of the transmit buffer
- `SSPRXINTR` requests servicing of the receive buffer
- `SSPRORINTR` indicates an overrun condition in the receive FIFO
- `SSPRTINTR` indicates that a timeout period expired while data was present in the receive FIFO.

A single combined interrupt is asserted if any of the individual interrupts are asserted and unmasked. This interrupt is connected to the processor interrupt controllers in RP2350.

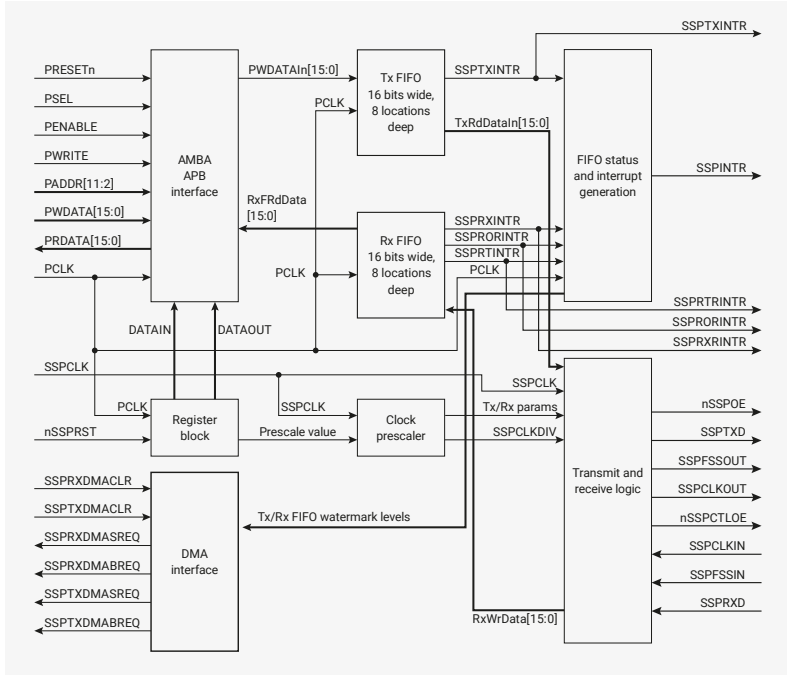
In addition to the above interrupts, a set of DMA signals are provided for interfacing with a DMA controller.

Depending on the operating mode selected, the `SSPFSSOUT` output operates as:

- an active-HIGH frame synchronization output for Texas Instruments synchronous serial frame format
- an active-LOW slave select for SPI and Microwire.

12.3.3. Functional description

Figure 91. PrimeCell SSP block diagram. For clarity, does not show the test logic.



12.3.3.1. AMBA APB interface

The AMBA APB interface generates read and write decodes for accesses to status and control registers, and transmit and receive FIFO memories.

12.3.3.2. Register block

The register block stores data written, or to be read, across the AMBA APB interface.

12.3.3.3. Clock prescaler

When configured as a master, an internal prescaler, comprising two free-running reloadable serially linked counters, provides the serial output clock **SSCLKOUT**.

You can program the clock prescaler, using the **SSPCPSR** register, to divide **SSCLK** by a factor of 2-254 in steps of two. By not utilizing the least significant bit of the **SSPCPSR** register, division by an odd number is not possible; this ensures that a symmetrical clock with equal mark-space ratio is generated. See **SSPCPSR**.

The output of the prescaler is divided again by a factor of 1-256, by programming the **SSPCR0** control register, to give the final master output clock **SSCLKOUT**.

i **NOTE**

The PCLK and SSCLK clock inputs in [Figure 91](#) are connected to the **clk_sys** and **clk_peri** system-level clock nets on RP2350, respectively. By default, **clk_peri** attaches directly to the system clock. However, you can detach it to maintain constant SPI frequency if the system clock is varied dynamically. See [Figure 33](#) for an overview of the RP2350 clock architecture.

12.3.3.4. Transmit FIFO

The common transmit (TX) FIFO is a 16-bit wide, 8-location deep memory buffer. CPU data written across the AMBA

APB interface is stored in the buffer until read out by the transmit logic.

When configured as a master or a slave, parallel data is written into the transmit FIFO prior to serial conversion, and transmission to the attached slave or master respectively, through the `SSPTXD` pin.

12.3.3.5. Receive FIFO

The common receive (RX) FIFO is a 16-bit wide, 8-location deep memory buffer. Received data from the serial interface is stored in the buffer until read out by the CPU across the AMBA APB interface.

When configured as a master or slave, serial data received through the `SSPRXD` pin is registered prior to parallel loading into the attached slave or master receive FIFO respectively.

12.3.3.6. Transmit and receive logic

When configured as a master, the clock for the attached slaves is derived from a divided-down version of `SSPCLK` through the previously described prescaler operations. The master transmit logic successively reads a value from its transmit FIFO and performs parallel to serial conversion on it. Then, the serial data stream and frame control signal, synchronized to `SSPCLKOUT`, outputs through the `SSPTXD` pin to the attached slaves. The master receive logic performs serial to parallel conversion on the incoming synchronous `SSPRXD` data stream, extracting and storing values into its receive FIFO for subsequent reading through the APB interface.

When configured as a slave, the `SSPCLKIN` clock is provided by an attached master and used to time transmission and reception sequences. The slave transmit logic, under control of the master clock, successively:

1. Reads a value from its transmit FIFO.
2. Performs parallel to serial conversion.
3. Outputs the serial data stream and frame control signal through the slave `SSPTXD` pin.

The slave receive logic performs serial to parallel conversion on the incoming `SSPRXD` data stream, extracting and storing values into its receive FIFO, for subsequent reading through the APB interface.

12.3.3.7. Interrupt generation logic

The PrimeCell SSP generates four individual maskable, active-HIGH interrupts. A combined interrupt output is generated as an OR function of the individual interrupt requests.

The transmit and receive dynamic data-flow interrupts, `SSPTXINTR` and `SSPRXINTR`, are separated from the status interrupts so that data can be read or written in response to the FIFO trigger levels.

12.3.3.8. DMA interface

The PrimeCell SSP provides an interface to connect to a DMA controller, see [Section 12.3.4.16](#).

12.3.3.9. Synchronizing registers and logic

The PrimeCell SSP supports both asynchronous and synchronous operation of the clocks, `PCLK` and `SSPCLK`. Synchronization registers and handshaking logic have been implemented, and are active at all times. Synchronization of control signals is performed on both directions of data flow, that is:

- from the `PCLK` to the `SSPCLK` domain
- from the `SSPCLK` to the `PCLK` domain.

12.3.4. Operation

12.3.4.1. Interface reset

The PrimeCell SSP is reset by the global reset signal, `PRESETn`, and a block-specific reset signal, `nSSPRST`. The device reset controller asserts `nSSPRST` asynchronously and negates it synchronously to `SSPCLK`.

12.3.4.2. Configuring the SSP

Following reset, the PrimeCell SSP logic is disabled and must be configured when in this state. It is necessary to program control registers `SSPCR0` and `SSPCR1` to configure the peripheral as a master or slave operating under one of the following protocols:

- Motorola SPI
- Texas Instruments SSI
- National Semiconductor

The bit rate, derived from the external `SSPCLK`, requires the programming of the clock prescale register `SSPCPSR`.

12.3.4.3. Enable PrimeCell SSP operation

You can either prime the transmit FIFO, by writing up to eight 16-bit values when the PrimeCell SSP is disabled, or permit the transmit FIFO service request to interrupt the CPU. Once enabled, transmission or reception of data begins on the transmit, `SSPTXD`, and receive, `SSPRXD`, pins.

12.3.4.4. Clock ratios

There is a constraint on the ratio of the frequencies of `PCLK` to `SSPCLK`. The frequency of `SSPCLK` must be less than or equal to that of `PCLK`. This ensures that control signals from the `SSPCLK` domain to the `PCLK` domain are guaranteed to get synchronized before one frame duration:

$$F_{SSPCLK} \leq F_{PCLK}$$

In the slave mode of operation, the `SSPCLKIN` signal from the external master is double-synchronized and then delayed to detect an edge. It takes three `SSPCLKs` to detect an edge on `SSPCLKIN`. `SSPTXD` has less setup time to the falling edge of `SSPCLKIN` on which the master is sampling the line.

The setup and hold times on `SSPRXD`, with reference to `SSPCLKIN`, must be more conservative to ensure that it is at the right value when the actual sampling occurs within the `SSPMS`. To ensure correct device operation, `SSPCLK` must be at least 12 times faster than the maximum expected frequency of `SSPCLKIN`.

The frequency selected for `SSPCLK` must accommodate the desired range of bit clock rates. The ratio of minimum `SSPCLK` frequency to `SSPCLKOUT` maximum frequency in the case of the slave mode is 12, and for the master mode, it is two.

For example, at the maximum `SSPCLK` (`clk_peri`) frequency on RP2350 of 150MHz, the maximum peak bit rate in master mode is 70.5Mb/s. This is achieved with the `SSPCPSR` register programmed with a value of 2, and the `SCR[7:0]` field in the `SSPCR0` register programmed with a value of 0.

In slave mode, the same maximum `SSPCLK` frequency of 150MHz can achieve a peak bit rate of $150 / 12 = 12.5\text{Mb/s}$. The `SSPCPSR` register can be programmed with a value of 12, and the `SCR[7:0]` field in the `SSPCR0` register can be programmed with a value of 0. Similarly, the ratio of `SSPCLK` maximum frequency to `SSPCLKOUT` minimum frequency is 254×256 .

The minimum frequency of `SSPCLK` is governed by the following inequalities, both of which must be satisfied:

$$F_{SSPCLK}(min) \geq 2 \times F_{SSPCLKOUT}(max), \text{ for master mode}$$

$F_{SSPCLK}(min) \geq 12 \times F_{SSPCLKIN}(max)$, for slave mode.

The maximum frequency of `SSPCLK` is governed by the following inequalities, both of which must be satisfied:

$F_{SSPCLK}(max) \leq 254 \times 256 \times F_{SSPCLKOUT}(min)$, for master mode

$F_{SSPCLK}(max) \leq 254 \times 256 \times F_{SSPCLKIN}(min)$, for slave mode.

12.3.4.5. Programming the SSPCR0 control register

The `SSPCR0` register is used to:

- program the serial clock rate
- select one of the three protocols
- select the data word size, where applicable.

The Serial Clock Rate (SCR) value, in conjunction with the `SSPCPSR` clock prescale divisor value, `CPSDVSR`, is used to derive the PrimeCell SSP transmit and receive bit rate from the external `SSPCLK`.

The frame format is programmed through the FRF bits, and the data word size through the `DSS` bits.

Bit phase and polarity, applicable to Motorola SPI format only, are programmed through the `SPH` and `SPO` bits.

12.3.4.6. Programming the SSPCR1 control register

The `SSPCR1` register is used to:

- select master or slave mode
- enable a loop back test feature
- enable the PrimeCell SSP peripheral.

To configure the PrimeCell SSP as a master, clear the `SSPCR1` register master or slave selection bit, `MS`, to 0. This is the default value on reset.

Setting the `SSPCR1` register `MS` bit to 1 configures the PrimeCell SSP as a slave. When configured as a slave, use the `SSPCR1` slave mode `SSPTXD` output disable bit (`SOD`) to enable or disable of the PrimeCell SSP `SSPTXD` signal. You can use this in some multi-slave environments where masters might parallel broadcast.

To enable the PrimeCell SSP, set the Synchronous Serial Port Enable (`SSE`) bit to 1.

12.3.4.6.1. Bit rate generation

The serial bit rate is derived by dividing down the input clock, `SSPCLK`. The clock is first divided by an even prescale value `CPSDVSR` in the range 2-254, and is programmed in `SSPCPSR`. The clock is divided again by a value in the range 1-256, that is $1 + SCR$, where `SCR` is the value programmed in `SSPCR0`.

The following equation defines the frequency of the output signal bit clock, `SSPCLKOUT`:

$$F_{SSPCLKOUT} = \frac{F_{SSPCLK}}{CPSDVSR \times (1 + SCR)}$$

For example, if `SSPCLK` is 125MHz, and `CPSDVSR` = 2, then `SSPCLKOUT` has a frequency range from 244kHz - 62.5MHz.

12.3.4.7. Frame format

Each data frame is between 4-16 bits long, depending on the size of data programmed, and is transmitted starting with the MSB. You can select the following basic frame types:

- Texas Instruments synchronous serial
- Motorola SPI
- National Semiconductor Microwire.

For all formats, the serial clock, **SSPCLKOUT**, is held inactive while the PrimeCell SSP is idle, and transitions at the programmed frequency only during active transmission or reception of data. The idle state of **SSPCLKOUT** is utilized to provide a receive timeout indication that occurs when the receive FIFO still contains data after a timeout period.

For Motorola SPI and National Semiconductor Microwire frame formats, the serial frame, **SSPFSSOUT**, pin is active-LOW, and is asserted, pulled-down, during the entire transmission of the frame.

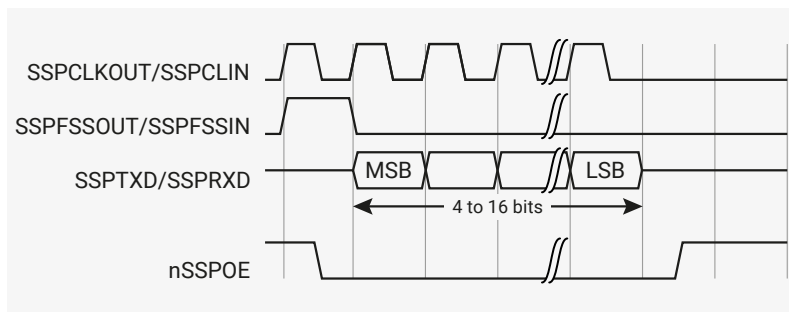
For Texas Instruments synchronous serial frame format, the **SSPFSSOUT** pin is pulsed for one serial clock period, starting at its rising edge, prior to the transmission of each frame. For this frame format, both the PrimeCell SSP and the off-chip slave device drive their output data on the rising edge of **SSPCLKOUT**, and latch data from the other device on the falling edge.

Unlike the full-duplex transmission of the other two frame formats, the National Semiconductor Microwire format uses a special master-slave messaging technique that operates at half-duplex. In this mode, when a frame begins, an 8-bit control message is transmitted to the off-chip slave. During this transmit, the SSS receives no incoming data. After the message has been sent, the off-chip slave decodes it and, after waiting one serial clock after the last bit of the 8-bit control message has been sent, responds with the requested data. The returned data can be 4-16 bits in length, making the total frame length in the range 13-25 bits.

12.3.4.8. Texas Instruments synchronous serial frame format

Figure 92 shows the Texas Instruments synchronous serial frame format for a single transmitted frame.

Figure 92. Texas Instruments synchronous serial frame format, single transfer

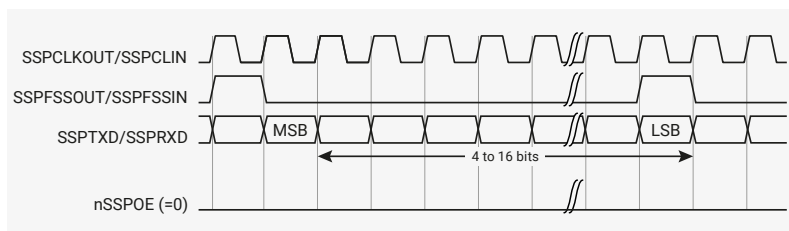


In this mode, **SSPCLKOUT** and **SSPFSSOUT** are forced LOW, and the transmit data line, **SSPTXD** is tristated whenever the PrimeCell SSP is idle. When the bottom entry of the transmit FIFO contains data, **SSPFSSOUT** is pulsed HIGH for one **SSPCLKOUT** period. The value to be transmitted is also transferred from the transmit FIFO to the serial shift register of the transmit logic. On the next rising edge of **SSPCLKOUT**, the MSB of the 4-bit to 16-bit data frame is shifted out on the **SSPTXD** pin. In a similar way, the MSB of the received data is shifted onto the **SSPRXD** pin by the off-chip serial slave device.

Both the PrimeCell SSP and the off-chip serial slave device then clock each data bit into their serial shifter on the falling edge of each **SSPCLKOUT**. The received data is transferred from the serial shifter to the receive FIFO on the first rising edge of **PCLK** after the LSB has been latched.

Figure 93 shows the Texas Instruments synchronous serial frame format when back-to-back frames are transmitted.

Figure 93. Texas Instruments synchronous serial frame format, continuous transfer



12.3.4.9. Motorola SPI frame format

The Motorola SPI interface is a four-wire interface where the **SSPFSSOUT** signal behaves as a slave select. The main feature of the Motorola SPI format is that you can program the inactive state and phase of the **SSPCLKOUT** signal using the **SPO** and **SPH** bits of the **SSPSCR0** control register.

12.3.4.9.1. SPO, clock polarity

When the **SPO** clock polarity control bit is LOW, it produces a steady state LOW value on the **SSPCLKOUT** pin. If the **SPO** clock polarity control bit is HIGH, a steady state HIGH value is placed on the **SSPCLKOUT** pin when data is not being transferred.

12.3.4.9.2. SPH, clock phase

The **SPH** control bit selects the clock edge that captures data and enables it to change state. It has the most impact on the first bit transmitted by either permitting or not permitting a clock transition before the first data capture edge.

When the **SPH** phase control bit is LOW, data is captured on the first clock edge transition.

When the **SPH** clock phase control bit is HIGH, data is captured on the second clock edge transition.

12.3.4.10. Motorola SPI format with SPO=0, SPH=0

Figure 94 and Figure 95 shows a continuous transmission signal sequence for Motorola SPI frame format with **SPO=0**, **SPH=0**. Figure 94 shows a single transmission signal sequence for Motorola SPI frame format with **SPO=0**, **SPH=0**.

Figure 94. Motorola SPI frame format, single transfer, with SPO=0 and SPH=0

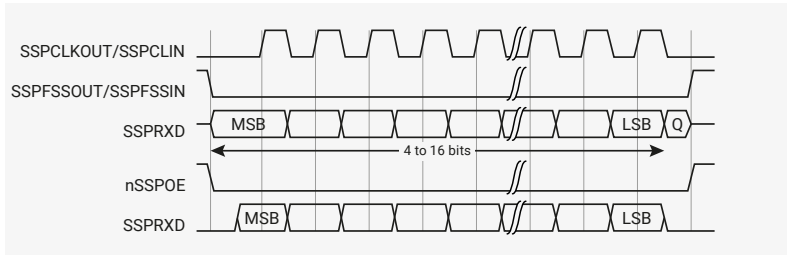
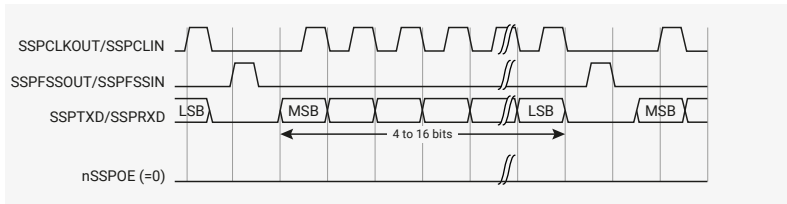


Figure 95 shows a continuous transmission signal sequence for Motorola SPI frame format with **SPO=0**, **SPH=0**.

Figure 95. Motorola SPI frame format, single transfer, with SPO=0 and SPH=0



In this configuration, during idle periods:

- the **SSPCLKOUT** signal is forced LOW
- the **SSPFSSOUT** signal is forced HIGH
- the transmit data line **SSPTXD** is arbitrarily forced LOW
- the **nSSPOE** pad enable signal is forced HIGH (this is not connected to the pad in RP2350)
- when the PrimeCell SSP is configured as a master, the **nSSPCTL0E** line is driven LOW, enabling the **SSPCLKOUT** pad, active-LOW enable
- when the PrimeCell SSP is configured as a slave, the **nSSPCTL0E** line is driven HIGH, disabling the **SSPCLKOUT** pad, active-LOW enable

If the PrimeCell SSP is enable, and there is valid data within the transmit FIFO, the start of transmission is signified by the **SSPFSSOUT** master signal being driven LOW. This causes slave data to be enabled onto the **SSPRXD** input line of the master. The **nSSPOE** line is driven LOW, enabling the master **SSPTXD** output pad.

One-half **SSPCLKOUT** period later, valid master data is transferred to the **SSPTXD** pin. Now that both the master and slave data have been set, the **SSPCLKOUT** master clock pin goes HIGH after one additional half **SSPCLKOUT** period.

The data is now captured on the rising and propagated on the falling edges of the **SSPCLKOUT** signal.

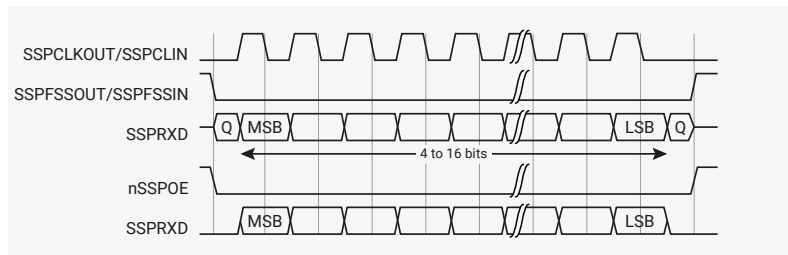
In the case of a single word transmission, after all bits of the data word have been transferred, the **SSPFSSOUT** line is returned to its idle HIGH state one **SSPCLKOUT** period after the last bit has been captured.

However, in the case of continuous back-to-back transmissions, the **SSPFSSOUT** signal pulse HIGH between each data word transfer. This is because the slave select pin freezes the data in its serial peripheral register and does not permit it to be altered if the **SPH** bit is logic zero. Therefore, the master device must raise the **SSPFSSIN** pin of the slave device between each data transfer to enable the serial peripheral data write. On completion of the continuous transfer, the **SSPFSSOUT** pin is returned to its idle state one **SSPCLKOUT** period after the last bit has been captured.

12.3.4.11. Motorola SPI format with SPO=0, SPH=1

Figure 96 shows the transfer signal sequence for Motorola SPI format with **SPO=0**, **SPH=1**, and it covers both single and continuous transfers.

Figure 96. Motorola SPI frame format with SPO=0 and SPH=1, single and continuous transfers



In this configuration, during idle periods:

- the **SSPCLKOUT** signal is forced LOW
- The **SSPFSSOUT** signal is forced HIGH
- the transmit data line **SSPTXD** is arbitrarily forced LOW
- the **nSSPOE** pad enable signal is forced HIGH (not connected to the pad in RP2350)
- when the PrimeCell SSP is configured as a master, the **nSSPCTL0E** line is driven LOW, enabling the **SSPCLKOUT** pad, active-LOW enable
- when the PrimeCell SSP is configured as a slave, the **nSSPCTL0E** line is driven HIGH, disabling the **SSPCLKOUT** pad, active-LOW enable

If the PrimeCell SSP is enabled, and there is valid data within the transmit FIFO, the start of transmission is signified by the **SSPFSSOUT** master signal being driven LOW. The **nSSPOE** line is driven LOW, enabling the master **SSPTXD** output pad. After an additional one half **SSPCLKOUT** period, both master and slave valid data is enabled onto their respective transmission lines. At the same time, the **SSPCLKOUT** is enabled with a rising edge transition.

Data is then captured on the falling edges and propagated on the rising edges of the **SSPCLKOUT** signal.

In the case of a single word transfer, after all bits have been transferred, the **SSPFSSOUT** line is returned to its idle HIGH state one **SSPCLKOUT** period after the last bit has been captured. For continuous back-to-back transfers, the **SSPFSSOUT** pin is held LOW between successive data words and termination is the same as that of the single word transfer.

12.3.4.12. Motorola SPI format with SPO=1, SPH=0

Figure 97 and Figure 98 show single and continuous transmission signal sequences for Motorola SPI format with SPO=1, SPH=0.

Figure 97 shows a single transmission signal sequence for Motorola SPI format with SPO=1, SPH=0.

Figure 97. Motorola SPI frame format, single transfer, with SPO=1 and SPH=0

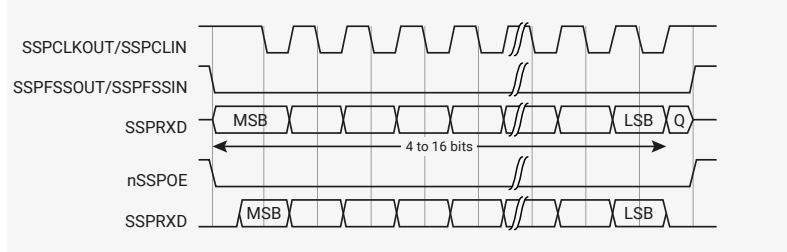
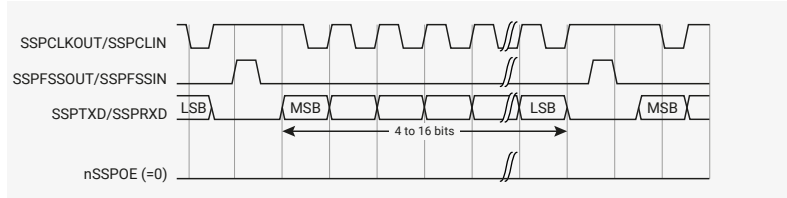


Figure 98 shows a continuous transmission signal sequence for Motorola SPI format with SPO=1, SPH=0.

NOTE

In Figure 97, Q is an undefined signal.

Figure 98. Motorola SPI frame format, continuous transfer, with SPO=1 and SPH=0



In this configuration, during idle periods:

- the SSPCLKOUT signal is forced HIGH
- the SSPFSSOUT signal is forced HIGH
- the transmit data line SSPTXD is arbitrarily forced LOW
- the nSSPOE pad enable signal is forced HIGH (not connected to the pad in RP2350)
- when the PrimeCell SSP is configured as a master, the nSSPCTLOE line is driven LOW, enabling the SSPCLKOUT pad, active-LOW enable
- when the PrimeCell SSP is configured as a slave, the nSSPCTLOE line is driven HIGH, disabling the SSPCLKOUT pad, active-LOW enable

If the PrimeCell SSP is enabled, and there is valid data within the transmit FIFO, the start of transmission is signified by the SSPFSSOUT master signal being driven LOW, and this causes slave data to be immediately transferred onto the SSPRXD line of the master. The nSSPOE line is driven LOW, enabling the master SSPTXD output pad.

One half period later, valid master data is transferred to the SSPTXD line. Now that both the master and slave data have been set, the SSPCLKOUT master clock pin becomes LOW after one additional half SSPCLKOUT period. This means that data is captured on the falling edges and be propagated on the rising edges of the SSPCLKOUT signal.

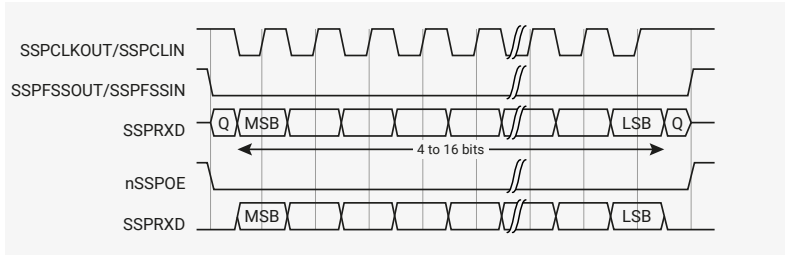
In the case of a single word transmission, after all bits of the data word are transferred, the SSPFSSOUT line is returned to its idle HIGH state one SSPCLKOUT period after the last bit has been captured.

However, in the case of continuous back-to-back transmissions, the SSPFSSOUT signal must be pulsed HIGH between each data word transfer. This is because the slave select pin freezes the data in its serial peripheral register and does not permit it to be altered if the SPH bit is logic zero. Therefore, the master device must raise the SSPFSSIN pin of the slave device between each data transfer to enable the serial peripheral data write. On completion of the continuous transfer, the SSPFSSOUT pin is returned to its idle state one SSPCLKOUT period after the last bit has been captured.

12.3.4.13. Motorola SPI format with SPO=1, SPH=1

Figure 99 shows the transfer signal sequence for Motorola SPI format with SPO=1, SPH=1, and it covers both single and continuous transfers.

Figure 99. Motorola SPI frame format with SPO=1 and SPH=1, single and continuous transfers



NOTE

In Figure 99, Q is an undefined signal.

In this configuration, during idle periods:

- the SSPCLKOUT signal is forced HIGH
- the SSPFSSOUT signal is forced HIGH
- the transmit data line SSPTXD is arbitrarily forced LOW
- the nSSPOE pad enable signal is forced HIGH (not connected to the pad in RP2350)
- when the PrimeCell SSP is configured as a master, the nSSPCTL0E line is driven LOW, enabling the SSPCLKOUT pad, active-LOW enable
- when the PrimeCell SSP is configured as a slave, the nSSPCTL0E line is driven HIGH, disabling the SSPCLKOUT pad, active-LOW enable.

If the PrimeCell SSP is enabled, and there is valid data within the transmit FIFO, the start of transmission is signified by the SSPFSSOUT master signal being driven LOW. The nSSPOE line is driven LOW, enabling the master SSPTXD output pad. After an additional one half SSPCLKOUT period, both master and slave data are enabled onto their respective transmission lines. At the same time, the SSPCLKOUT is enabled with a falling edge transition. Data is then captured on the rising edges and propagated on the falling edges of the SSPCLKOUT signal.

After all bits have been transferred, in the case of a single word transmission, the SSPFSSOUT line is returned to its idle HIGH state one SSPCLKOUT period after the last bit has been captured.

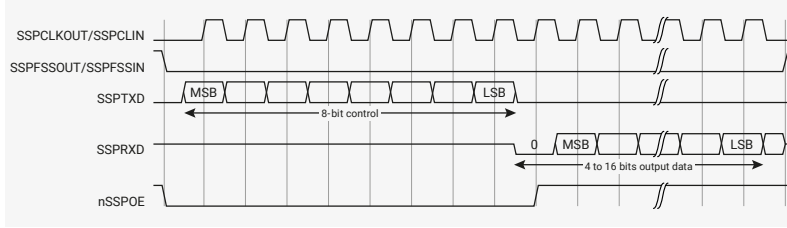
For continuous back-to-back transmissions, the SSPFSSOUT pin remains in its active-LOW state, until the final bit of the last word has been captured, and then returns to its idle state as the previous section describes.

For continuous back-to-back transfers, the SSPFSSOUT pin is held LOW between successive data words and termination is the same as that of the single word transfer.

12.3.4.14. National Semiconductor Microwire frame format

Figure 100 shows the National Semiconductor Microwire frame format for a single frame. Figure 101 shows the same format when back to back frames are transmitted.

Figure 100. Microwire frame format, single transfer



Microwire format is very similar to SPI format, except that transmission is half-duplex instead of full-duplex, using a master-slave message passing technique. Each serial transmission begins with an 8-bit control word that is transmitted from the PrimeCell SSP to the off-chip slave device. During this transmission, the PrimeCell SSP receives no incoming data. After the message has been sent, the off-chip slave decodes it and, after waiting one serial clock after the last bit of the 8-bit control message has been sent, responds with the required data. The returned data is 4 to 16 bits in length, making the total frame length in the range 13-25 bits.

In this configuration, during idle periods:

- **SSPCLKOUT** is forced LOW
- **SSPFSSOUT** is forced HIGH
- the transmit data line, **SSPTXD**, is arbitrarily forced LOW
- the **nSSPOE** pad enable signal is forced HIGH (not connected to the pad in RP2350)

A transmission is triggered by writing a control byte to the transmit FIFO. The falling edge of **SSPFSSOUT** causes the value contained in the bottom entry of the transmit FIFO to be transferred to the serial shift register of the transmit logic, and the MSB of the 8-bit control frame to be shifted out onto the **SSPTXD** pin. **SSPFSSOUT** remains LOW for the duration of the frame transmission. The **SSPRXD** pin remains tristated during this transmission.

The off-chip serial slave device latches each control bit into its serial shifter on the rising edge of each **SSPCLKOUT**. After the last bit is latched by the slave device, the control byte is decoded during a one clock wait-state, and the slave responds by transmitting data back to the PrimeCell SSP. Each bit is driven onto **SSPRXD** line on the falling edge of **SSPCLKOUT**. The PrimeCell SSP in turn latches each bit on the rising edge of **SSPCLKOUT**. At the end of the frame, for single transfers, the **SSPFSSOUT** signal is pulled HIGH one clock period after the last bit has been latched in the receive serial shifter, that causes the data to be transferred to the receive FIFO.

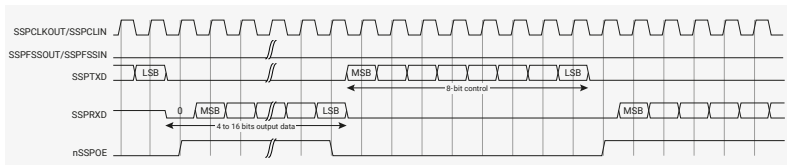
NOTE

The off-chip slave device can tristate the receive line either on the falling edge of **SSPCLKOUT** after the LSB has been latched by the receive shifter, or when the **SSPFSSOUT** pin goes HIGH.

For continuous transfers, data transmission begins and ends in the same manner as a single transfer. However, the **SSPFSSOUT** line is continuously asserted, held LOW, and transmission of data occurs back-to-back. The control byte of the next frame follows directly after the LSB of the received data from the current frame. Each of the received values is transferred from the receive shifter on the falling edge **SSPCLKOUT**, after the LSB of the frame has been latched into the PrimeCell SSP.

Figure 101 shows the National Semiconductor Microwire frame format when back-to-back frames are transmitted.

Figure 101. Microwire frame format, continuous transfers



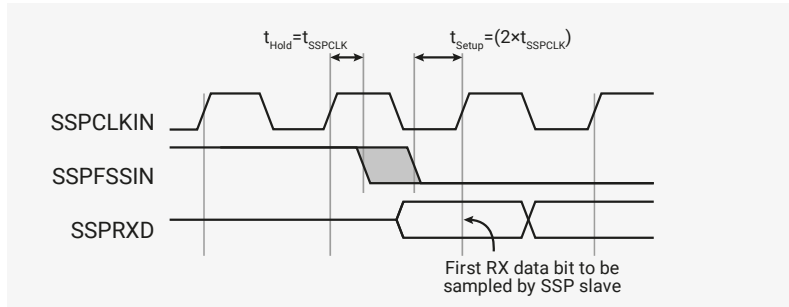
In Microwire mode, the PrimeCell SSP slave samples the first bit of receive data on the rising edge of **SSPCLKIN** after **SSPFSSIN** has gone LOW. Masters that drive a free-running **SSPCLKIN** must ensure that the **SSPFSSIN** signal has sufficient setup and hold margins with respect to the rising edge of **SSPCLKIN**.

Figure 102 shows these setup and hold time requirements.

With respect to the **SSPCLKIN** rising edge on which the first bit of receive data is to be sampled by the PrimeCell SSP slave, **SSPFSSIN** must have a setup of at least two times the period of **SSPCLK** on which the PrimeCell SSP operates.

With respect to the **SSPCLKIN** rising edge previous to this edge, **SSPFSSIN** must have a hold of at least one **SSPCLK** period.

Figure 102. Microwire frame format, SSPFSSIN input setup and hold requirements



12.3.4.15. Examples of master and slave configurations

Figure 103, Figure 104, and Figure 105 shows how you can connect the PrimeCell SSP (**PL022**) peripheral to other synchronous serial peripherals, when it is configured as a master or a slave.

i **NOTE**

The SSP (**PL022**) does not support dynamic switching between master and slave in a system. Each instance is configured and connected either as a master or slave.

Figure 103 shows the PrimeCell SSP (**PL022**) instanced twice, as a single master and one slave. The master can broadcast to the slave through the master **SSPTXD** line. In response, the slave drives its **nSSPOE** signal HIGH, enabling its **SSPTXD** data onto the **SSPRXD** line of the master.

Figure 103. PrimeCell SSP master coupled to a PL022 slave

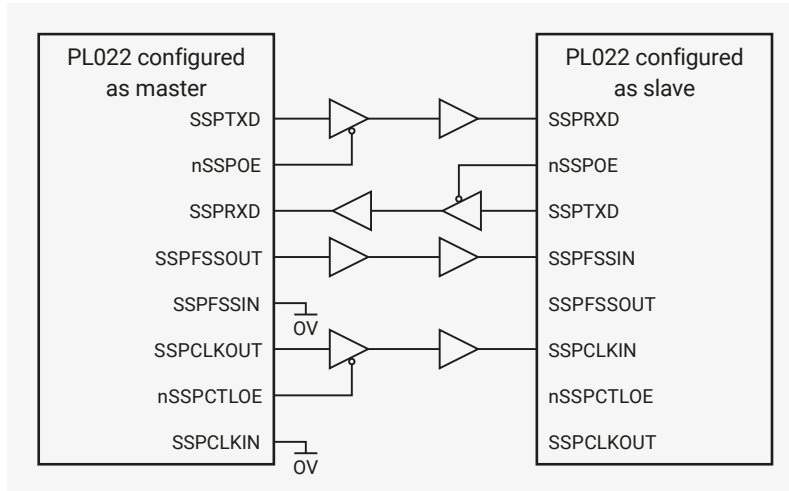


Figure 104 shows how an PrimeCell SSP (**PL022**), configured as master, interfaces to a Motorola SPI slave. The SPI Slave Select (**SS**) signal is permanently tied LOW and configures it as a slave. Similar to the above operation, the master can broadcast to the slave through the master PrimeCell SSP **SSPTXD** line. In response, the slave drives its SPI **MISO** port onto the **SSPRXD** line of the master.

Figure 104. PrimeCell SSP master coupled to an SPI slave

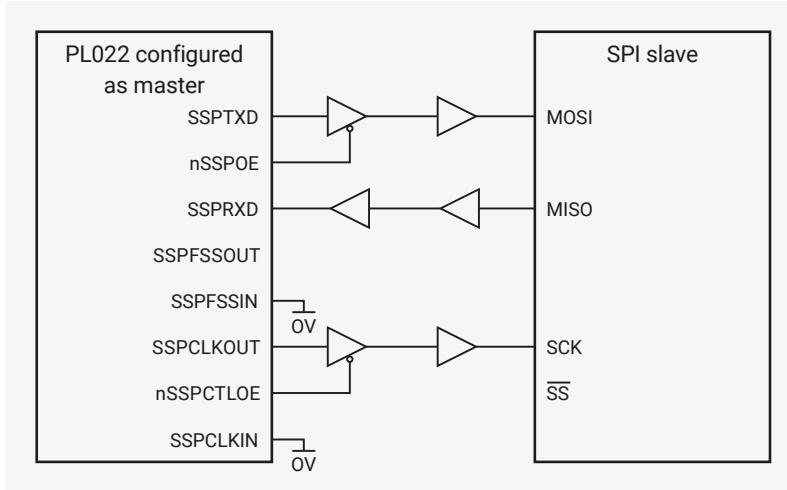
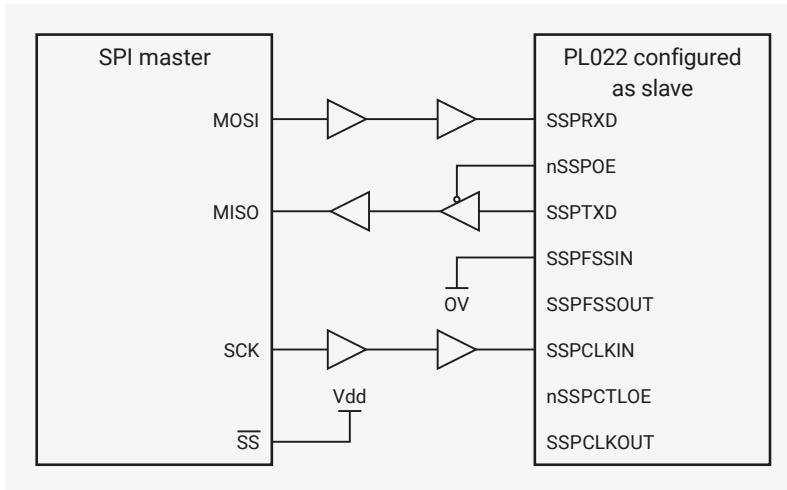


Figure 105 shows a Motorola SPI configured as a master and interfaced to an instance of a PrimeCell SSP (PL022) configured as a slave. In this case, the slave Select Signal (SS) is permanently tied HIGH to configure it as a master. The master can broadcast to the slave through the master SPI MOSI line and in response, the slave drives its nSSPOE signal LOW. This enables its SSPTXD data onto the MISO line of the master.

Figure 105. SPI master coupled to a PrimeCell SSP slave



12.3.4.16. PrimeCell DMA interface

The PrimeCell SSP provides an interface to connect to the DMA controller. The PrimeCell SSP DMA control register, SSPDMACR controls the DMA operation of the PrimeCell SSP.

The DMA interface includes the following signals, for receive:

SSPRXDMSREQ

Single-character DMA transfer request, asserted by the SSP. This signal is asserted when the receive FIFO contains at least one character.

SSPRXDMABREQ

Burst DMA transfer request, asserted by the SSP. This signal is asserted when the receive FIFO contains four or more characters.

SSPRXDMACLR

DMA request clear, asserted by the DMA controller to clear the receive request signals. If DMA burst transfer is requested, the clear signal is asserted during the transfer of the last data in the burst.

The DMA interface includes the following signals, for transmit:

SSPTXDMASREQ

Single-character DMA transfer request, asserted by the SSP. This signal is asserted when there is at least one empty location in the transmit FIFO.

SSPTXDMABREQ

Burst DMA transfer request, asserted by the SSP. This signal is asserted when the transmit FIFO contains four characters or fewer.

SSPTXDMACLR

DMA request clear, asserted by the DMA controller, to clear the transmit request signals. If a DMA burst transfer is requested, the clear signal is asserted during the transfer of the last data in the burst.

The burst transfer and single transfer request signals are not mutually exclusive. They can both be asserted at the same time. For example, when there is more data than the watermark level of four in the receive FIFO, the burst transfer request, and the single transfer request, are asserted. When the amount of data left in the receive FIFO is less than the watermark level, the single request only is asserted. This is useful for situations where the number of characters left to be received in the stream is less than a burst.

For example, if 19 characters must be received, the DMA controller then transfers four bursts of four characters, and three single transfers to complete the stream.

NOTE

For the remaining three characters, the PrimeCell SSP does not assert the burst request.

Each request signal remains asserted until the relevant DMA clear signal is asserted. After the request clear signal is de-asserted, a request signal can become active again, depending on the conditions that previous sections describe. All request signals are de-asserted if the PrimeCell SSP is disabled, or the DMA enable signal is cleared.

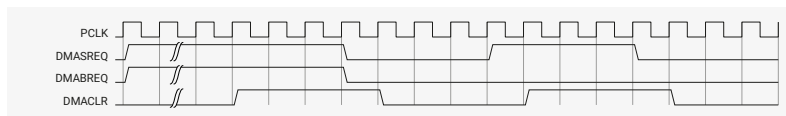
Table 1098 shows the trigger points for DMABREQ, for both the transmit and receive FIFOs.

Table 1098. DMA trigger points for the transmit and receive FIFOs

| Burst length | | |
|-----------------|-------------------------------------|-------------------------------------|
| Watermark level | Transmit, number of empty locations | Receive, number of filled locations |
| 1/2 | 4 | 4 |

Figure 106 shows the timing diagram for both a single transfer request, and a burst transfer request, with the appropriate DMA clear signal. The signals are all synchronous to PCLK.

Figure 106. DMA transfer waveforms



12.3.5. List of registers

The SPI0 and SPI1 registers start at base addresses of 0x40080000 and 0x40088000 respectively (defined as SPI0_BASE and SPI1_BASE in SDK).

Table 1099. List of SPI registers

| Offset | Name | Info |
|--------|---------|--|
| 0x000 | SSPCR0 | Control register 0, SSPCR0 on page 3-4 |
| 0x004 | SSPCR1 | Control register 1, SSPCR1 on page 3-5 |
| 0x008 | SSPDR | Data register, SSPDR on page 3-6 |
| 0x00c | SSPSR | Status register, SSPSR on page 3-7 |
| 0x010 | SSPCPSR | Clock prescale register, SSPCPSR on page 3-8 |

| Offset | Name | Info |
|--------|--------------|--|
| 0x014 | SSPIMSC | Interrupt mask set or clear register, SSPIMSC on page 3-9 |
| 0x018 | SSPRIS | Raw interrupt status register, SSPRIS on page 3-10 |
| 0x01c | SSPMIS | Masked interrupt status register, SSPMIS on page 3-11 |
| 0x020 | SSPICR | Interrupt clear register, SSPICR on page 3-11 |
| 0x024 | SSPDMACR | DMA control register, SSPDMACR on page 3-12 |
| 0xfe0 | SSPPERIPHID0 | Peripheral identification registers, SSPPeriphID0-3 on page 3-13 |
| 0xfe4 | SSPPERIPHID1 | Peripheral identification registers, SSPPeriphID0-3 on page 3-13 |
| 0xfe8 | SSPPERIPHID2 | Peripheral identification registers, SSPPeriphID0-3 on page 3-13 |
| 0xfec | SSPPERIPHID3 | Peripheral identification registers, SSPPeriphID0-3 on page 3-13 |
| 0xff0 | SSPPCELLID0 | PrimeCell identification registers, SSPPCellID0-3 on page 3-16 |
| 0xff4 | SSPPCELLID1 | PrimeCell identification registers, SSPPCellID0-3 on page 3-16 |
| 0xff8 | SSPPCELLID2 | PrimeCell identification registers, SSPPCellID0-3 on page 3-16 |
| 0xffc | SSPPCELLID3 | PrimeCell identification registers, SSPPCellID0-3 on page 3-16 |

SPI: SSPCR0 Register

Offset: 0x000

Description

Control register 0, SSPCR0 on page 3-4

Table 1100. SSPCR0 Register

| Bits | Description | Type | Reset |
|-------|---|------|-------|
| 31:16 | Reserved. | - | - |
| 15:8 | SCR: Serial clock rate. The value SCR is used to generate the transmit and receive bit rate of the PrimeCell SSP. The bit rate is: $F_{SSPCLK} \times \text{CPSDVSR} \times (1 + \text{SCR})$ where CPSDVSR is an even value from 2-254, programmed through the SSPCPSR register and SCR is a value from 0-255. | RW | 0x00 |
| 7 | SPH: SSPCLKOUT phase, applicable to Motorola SPI frame format only. See Motorola SPI frame format on page 2-10. | RW | 0x0 |
| 6 | SPO: SSPCLKOUT polarity, applicable to Motorola SPI frame format only. See Motorola SPI frame format on page 2-10. | RW | 0x0 |
| 5:4 | FRF: Frame format: 00 Motorola SPI frame format. 01 TI synchronous serial frame format. 10 National Microwire frame format. 11 Reserved, undefined operation. | RW | 0x0 |
| 3:0 | DSS: Data Size Select: 0000 Reserved, undefined operation. 0001 Reserved, undefined operation. 0010 Reserved, undefined operation. 0011 4-bit data. 0100 5-bit data. 0101 6-bit data. 0110 7-bit data. 0111 8-bit data. 1000 9-bit data. 1001 10-bit data. 1010 11-bit data. 1011 12-bit data. 1100 13-bit data. 1101 14-bit data. 1110 15-bit data. 1111 16-bit data. | RW | 0x0 |

SPI: SSPCR1 Register

Offset: 0x004

Description

Control register 1, SSPCR1 on page 3-5

Table 1101. SSPCR1 Register

| Bits | Description | Type | Reset |
|------|---|------|-------|
| 31:4 | Reserved. | - | - |
| 3 | SOD : Slave-mode output disable. This bit is relevant only in the slave mode, MS=1. In multiple-slave systems, it is possible for an PrimeCell SSP master to broadcast a message to all slaves in the system while ensuring that only one slave drives data onto its serial output line. In such systems the RXD lines from multiple slaves could be tied together. To operate in such systems, the SOD bit can be set if the PrimeCell SSP slave is not supposed to drive the SSPTXD line: 0 SSP can drive the SSPTXD output in slave mode. 1 SSP must not drive the SSPTXD output in slave mode. | RW | 0x0 |
| 2 | MS : Master or slave mode select. This bit can be modified only when the PrimeCell SSP is disabled, SSE=0: 0 Device configured as master, default. 1 Device configured as slave. | RW | 0x0 |
| 1 | SSE : Synchronous serial port enable: 0 SSP operation disabled. 1 SSP operation enabled. | RW | 0x0 |
| 0 | LBM : Loop back mode: 0 Normal serial port operation enabled. 1 Output of transmit serial shifter is connected to input of receive serial shifter internally. | RW | 0x0 |

SPI: SSPDR Register

Offset: 0x008

Description

Data register, SSPDR on page 3-6

Table 1102. SSPDR Register

| Bits | Description | Type | Reset |
|-------|---|------|-------|
| 31:16 | Reserved. | - | - |
| 15:0 | DATA : Transmit/Receive FIFO: Read Receive FIFO. Write Transmit FIFO. You must right-justify data when the PrimeCell SSP is programmed for a data size that is less than 16 bits. Unused bits at the top are ignored by transmit logic. The receive logic automatically right-justifies. | RWF | - |

SPI: SSPSR Register

Offset: 0x00c

Description

Status register, SSPSR on page 3-7

Table 1103. SSPSR Register

| Bits | Description | Type | Reset |
|------|--|------|-------|
| 31:5 | Reserved. | - | - |
| 4 | BSY : PrimeCell SSP busy flag, RO: 0 SSP is idle. 1 SSP is currently transmitting and/or receiving a frame or the transmit FIFO is not empty. | RO | 0x0 |
| 3 | RFF : Receive FIFO full, RO: 0 Receive FIFO is not full. 1 Receive FIFO is full. | RO | 0x0 |
| 2 | RNE : Receive FIFO not empty, RO: 0 Receive FIFO is empty. 1 Receive FIFO is not empty. | RO | 0x0 |
| 1 | TNF : Transmit FIFO not full, RO: 0 Transmit FIFO is full. 1 Transmit FIFO is not full. | RO | 0x1 |
| 0 | TFE : Transmit FIFO empty, RO: 0 Transmit FIFO is not empty. 1 Transmit FIFO is empty. | RO | 0x1 |

SPI: SSPCPSR Register

Offset: 0x010

Description

Clock prescale register, SSPCPSR on page 3-8

Table 1104. SSPCPSR Register

| Bits | Description | Type | Reset |
|------|---|------|-------|
| 31:8 | Reserved. | - | - |
| 7:0 | CPSDVSR : Clock prescale divisor. Must be an even number from 2-254, depending on the frequency of SSPCLK. The least significant bit always returns zero on reads. | RW | 0x00 |

SPI: SSPIMSC Register

Offset: 0x014

Description

Interrupt mask set or clear register, SSPIMSC on page 3-9

Table 1105. SSPIMSC Register

| Bits | Description | Type | Reset |
|------|---|------|-------|
| 31:4 | Reserved. | - | - |
| 3 | TXIM : Transmit FIFO interrupt mask: 0 Transmit FIFO half empty or less condition interrupt is masked. 1 Transmit FIFO half empty or less condition interrupt is not masked. | RW | 0x0 |
| 2 | RXIM : Receive FIFO interrupt mask: 0 Receive FIFO half full or less condition interrupt is masked. 1 Receive FIFO half full or less condition interrupt is not masked. | RW | 0x0 |
| 1 | RTIM : Receive timeout interrupt mask: 0 Receive FIFO not empty and no read prior to timeout period interrupt is masked. 1 Receive FIFO not empty and no read prior to timeout period interrupt is not masked. | RW | 0x0 |
| 0 | RORIM : Receive overrun interrupt mask: 0 Receive FIFO written to while full condition interrupt is masked. 1 Receive FIFO written to while full condition interrupt is not masked. | RW | 0x0 |

SPI: SSPRIS Register

Offset: 0x018

Description

Raw interrupt status register, SSPRIS on page 3-10

Table 1106. SSPRIS Register

| Bits | Description | Type | Reset |
|------|--|------|-------|
| 31:4 | Reserved. | - | - |
| 3 | TXRIS : Gives the raw interrupt state, prior to masking, of the SSPTXINTR interrupt | RO | 0x1 |
| 2 | RXRIS : Gives the raw interrupt state, prior to masking, of the SSPRXINTR interrupt | RO | 0x0 |
| 1 | RTRIS : Gives the raw interrupt state, prior to masking, of the SSPRTINTR interrupt | RO | 0x0 |

| Bits | Description | Type | Reset |
|------|--|------|-------|
| 0 | RORRIS : Gives the raw interrupt state, prior to masking, of the SSPRORINTR interrupt | RO | 0x0 |

SPI: SSPMIS Register

Offset: 0x01c

Description

Masked interrupt status register, SSPMIS on page 3-11

Table 1107. SSPMIS Register

| Bits | Description | Type | Reset |
|------|--|------|-------|
| 31:4 | Reserved. | - | - |
| 3 | TXMIS : Gives the transmit FIFO masked interrupt state, after masking, of the SSPTXINTR interrupt | RO | 0x0 |
| 2 | RXMIS : Gives the receive FIFO masked interrupt state, after masking, of the SSPRXINTR interrupt | RO | 0x0 |
| 1 | RTMIS : Gives the receive timeout masked interrupt state, after masking, of the SSPRTINTR interrupt | RO | 0x0 |
| 0 | RORMIS : Gives the receive over run masked interrupt status, after masking, of the SSPRORINTR interrupt | RO | 0x0 |

SPI: SSPICR Register

Offset: 0x020

Description

Interrupt clear register, SSPICR on page 3-11

Table 1108. SSPICR Register

| Bits | Description | Type | Reset |
|------|--|------|-------|
| 31:2 | Reserved. | - | - |
| 1 | RTIC : Clears the SSPRTINTR interrupt | WC | 0x0 |
| 0 | RORIC : Clears the SSPRORINTR interrupt | WC | 0x0 |

SPI: SSPDMACR Register

Offset: 0x024

Description

DMA control register, SSPDMACR on page 3-12

Table 1109. SSPDMACR Register

| Bits | Description | Type | Reset |
|------|---|------|-------|
| 31:2 | Reserved. | - | - |
| 1 | TXDMAE : Transmit DMA Enable. If this bit is set to 1, DMA for the transmit FIFO is enabled. | RW | 0x0 |
| 0 | RXDMAE : Receive DMA Enable. If this bit is set to 1, DMA for the receive FIFO is enabled. | RW | 0x0 |

SPI: SPPERIPHID0 Register

Offset: 0xfe0

Description

Peripheral identification registers, SSPPeriphID0-3 on page 3-13

Table 1110.
SSPPERIPHID0
Register

| Bits | Description | Type | Reset |
|------|---|------|-------|
| 31:8 | Reserved. | - | - |
| 7:0 | PARTNUMBER0 : These bits read back as 0x22 | RO | 0x22 |

SPI: SSPPERIPHID1 Register

Offset: 0xfe4

Description

Peripheral identification registers, SSPPeriphID0-3 on page 3-13

Table 1111.
SSPPERIPHID1
Register

| Bits | Description | Type | Reset |
|------|--|------|-------|
| 31:8 | Reserved. | - | - |
| 7:4 | DESIGNER0 : These bits read back as 0x1 | RO | 0x1 |
| 3:0 | PARTNUMBER1 : These bits read back as 0x0 | RO | 0x0 |

SPI: SSPPERIPHID2 Register

Offset: 0xfe8

Description

Peripheral identification registers, SSPPeriphID0-3 on page 3-13

Table 1112.
SSPPERIPHID2
Register

| Bits | Description | Type | Reset |
|------|---|------|-------|
| 31:8 | Reserved. | - | - |
| 7:4 | REVISION : These bits return the peripheral revision | RO | 0x3 |
| 3:0 | DESIGNER1 : These bits read back as 0x4 | RO | 0x4 |

SPI: SSPPERIPHID3 Register

Offset: 0xfec

Description

Peripheral identification registers, SSPPeriphID0-3 on page 3-13

Table 1113.
SSPPERIPHID3
Register

| Bits | Description | Type | Reset |
|------|---|------|-------|
| 31:8 | Reserved. | - | - |
| 7:0 | CONFIGURATION : These bits read back as 0x00 | RO | 0x00 |

SPI: SSPPCELLID0 Register

Offset: 0xff0

Description

PrimeCell identification registers, SSPPCellID0-3 on page 3-16

Table 1114.
SSPPCELLID0 Register

| Bits | Description | Type | Reset |
|------|---|------|-------|
| 31:8 | Reserved. | - | - |
| 7:0 | SSPPCELLID0 : These bits read back as 0x0D | RO | 0x0d |

SPI: SSPPCELLID1 Register

Offset: 0xff4

Description

PrimeCell identification registers, SSPPCellID0-3 on page 3-16

Table 1115.
SSPPCELLID1 Register

| Bits | Description | Type | Reset |
|------|---|------|-------|
| 31:8 | Reserved. | - | - |
| 7:0 | SSPPCELLID1 : These bits read back as 0xF0 | RO | 0xf0 |

SPI: SSPPCELLID2 Register

Offset: 0xff8

Description

PrimeCell identification registers, SSPPCellID0-3 on page 3-16

Table 1116.
SSPPCELLID2 Register

| Bits | Description | Type | Reset |
|------|---|------|-------|
| 31:8 | Reserved. | - | - |
| 7:0 | SSPPCELLID2 : These bits read back as 0x05 | RO | 0x05 |

SPI: SSPPCELLID3 Register

Offset: 0xffc

Description

PrimeCell identification registers, SSPPCellID0-3 on page 3-16

Table 1117.
SSPPCELLID3 Register

| Bits | Description | Type | Reset |
|------|---|------|-------|
| 31:8 | Reserved. | - | - |
| 7:0 | SSPPCELLID3 : These bits read back as 0xB1 | RO | 0xb1 |

12.4. ADC and Temperature Sensor

RP2350 has an internal analogue-digital converter (ADC) with the following features:

- SAR ADC (see [Section 12.4.3](#))
- 500 kS/s (using an independent 48 MHz clock)
- 12-bit with 9.2 ENOB (see [Section 12.4.4](#))
- Five or nine input mux:
 - Four inputs available on QFN-60 package pins shared with [GPIO\[29:26\]](#)
 - Eight inputs available on QFN-80 package pins shared with [GPIO\[47:40\]](#)
 - One input dedicated to the internal temperature sensor (see [Section 12.4.6](#))

- Eight element receive sample FIFO
- Interrupt generation
- DMA interface (see [Section 12.4.3.5](#))

Figure 107 shows the arrangement of ADC channels in the QFN-60 package. Figure 108 shows the same for QFN-80.

Figure 107. ADC Connection Diagram for QFN-60. This package features four external ADC inputs (0 through 3), on Bank 0 GPIOs 26 through 29. The internal temperature sensor connects to a fifth channel (channel 4). This is functionally the same ADC arrangement as RP2040, although the underlying hardware is different, to support the additional channels on QFN-80.

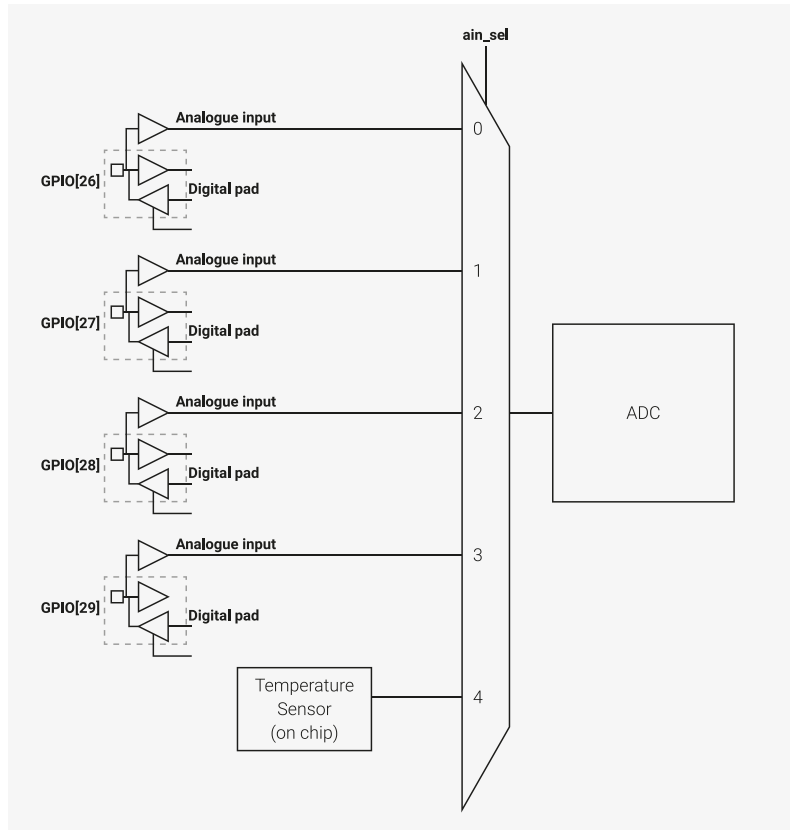
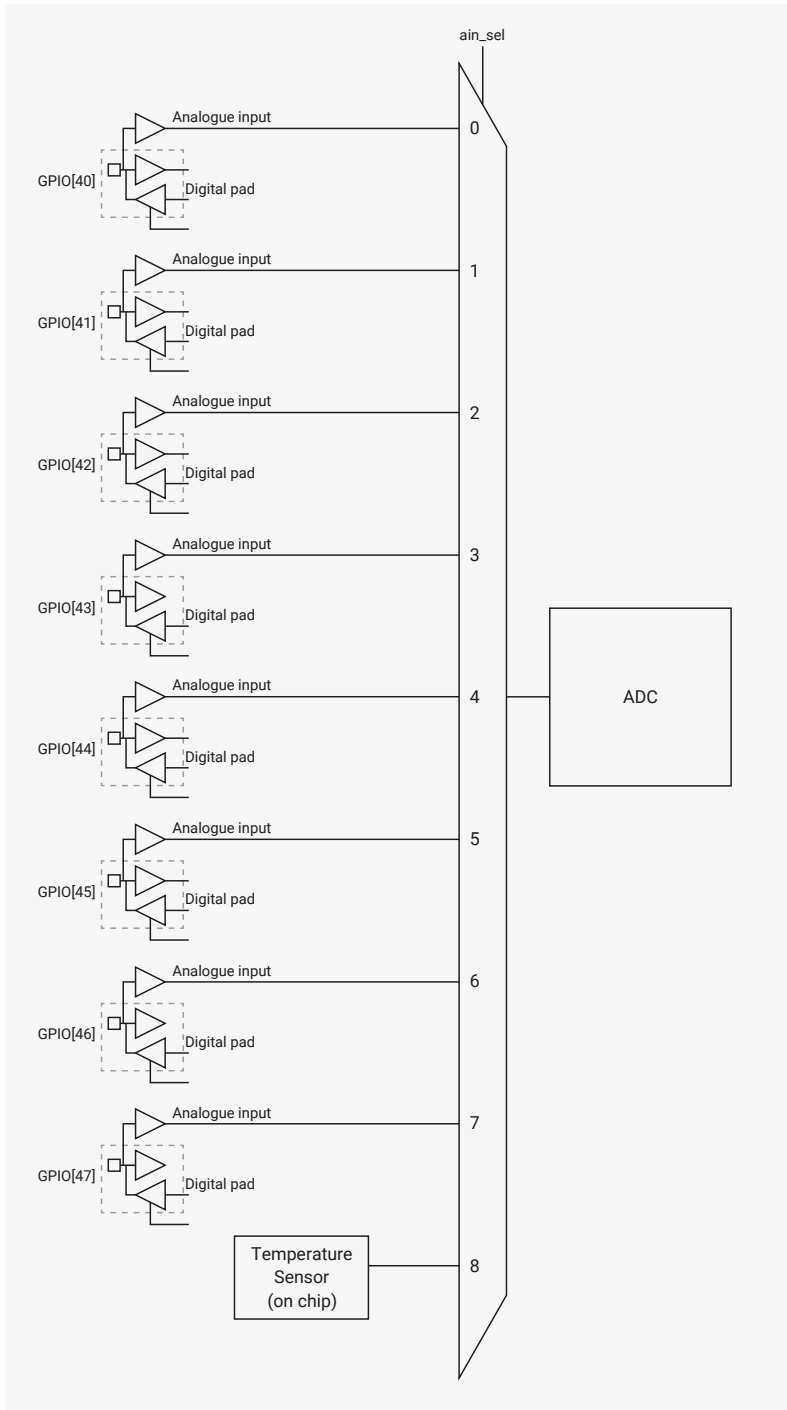


Figure 108. ADC Connection Diagram for QFN-80. This package features eight external ADC inputs (0 through 7), on Bank 0 GPIOs 40 through 47. The internal temperature sensor connects to a ninth channel (channel 8). Like in QFN-60, each ADC input shares a package pin with a digital Bank 0 GPIO: generally the digital functions are disabled when the ADC is in use.



When using an ADC input shared with a GPIO pin, always disable the pin’s digital functions by setting **IE** low and **OD** high in the pin’s pad control register. See [Section 9.11.3, “Pad Control - User Bank”](#) for details.

The maximum ADC input voltage is determined by the digital IO supply voltage (**IOVDD**), not the ADC supply voltage (**ADC_AVDD**). For example, if **IOVDD** is powered at 1.8 V, the voltage on the ADC inputs should not exceed 1.8 V + 10% even if **ADC_AVDD** is powered at 3.3 V. Voltages greater than **IOVDD** will result in leakage currents through the ESD protection diodes. See [Section 14.9, “Electrical specifications”](#) for details.

12.4.1. Changes from RP2040

- Removed spikes in differential nonlinearity at codes **0x200**, **0x600**, **0xa00** and **0xe00**, as documented by erratum RP2040-E11, improving the ADC’s precision by around 0.5 ENOB.

- Increased the number of external ADC input channels from 4 to 8 channels, in the QFN-80 package only.

12.4.2. ADC controller

A digital controller manages the details of operating the RP2350 ADC, and provides additional functionality:

- One-shot or free-running capture mode
- Sample FIFO with DMA interface
- Pacing timer (16 integer bits, 8 fractional bits) for setting free-running sample rate
- Round-robin sampling of multiple channels in free-running capture mode
- Optional right-shift to 8 bits in free-running capture mode, so samples can be DMA'd to a byte buffer in system memory

12.4.2.1. Channel connections

The ADC channels are connected to the following GPIOs in QFN-60

Table 1118. ADC channel connections on QFN-60

| Channel | Connection |
|---------|--------------------|
| 0 | GPIO[26] |
| 1 | GPIO[27] |
| 2 | GPIO[28] |
| 3 | GPIO[29] |
| 4 | Temperature Sensor |

The ADC channels are connected to the following GPIOs in QFN-80

Table 1119. ADC channel connections on QFN-80

| Channel | Connection |
|---------|--------------------|
| 0 | GPIO[40] |
| 1 | GPIO[41] |
| 2 | GPIO[42] |
| 3 | GPIO[43] |
| 4 | GPIO[44] |
| 5 | GPIO[45] |
| 6 | GPIO[46] |
| 7 | GPIO[47] |
| 8 | Temperature Sensor |

12.4.3. SAR ADC

The Successive Approximation Register Analogue to Digital Converter (SAR ADC) is a combination of digital controller and analogue circuit as shown in [Figure 109](#) and [Figure 110](#).

Figure 109. SAR ADC
Block diagram QFN-60

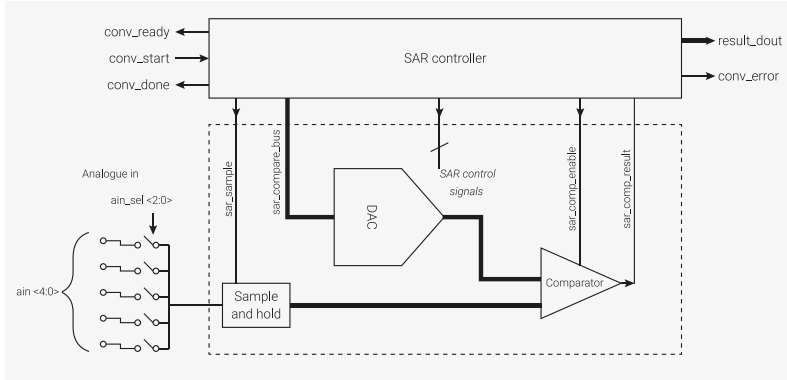
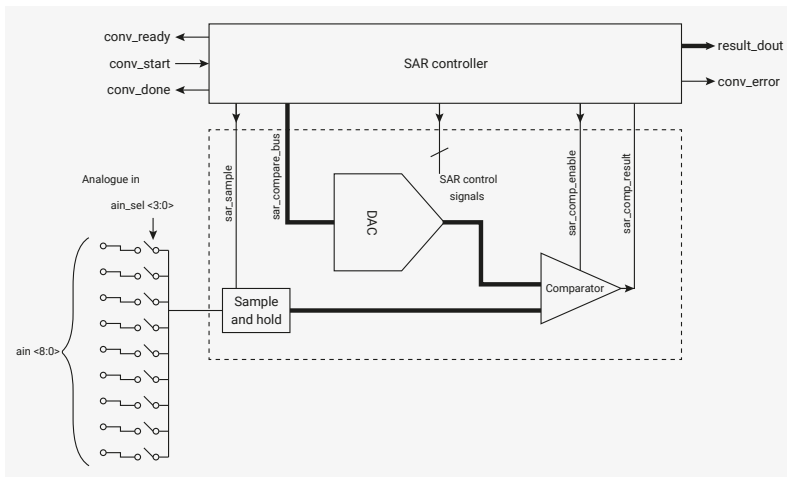


Figure 110. SAR ADC
Block diagram QFN-80



The ADC requires a 48 MHz clock (`clk_adc`), which could come from the USB PLL. Capturing a sample takes 96 clock cycles ($96 \times 1/48 \text{ MHz} = 2 \mu\text{s}$ per sample (500 kS/s). The clock must be set up correctly before enabling the ADC.

When the ADC block is provided with a clock, and its reset has been removed, writing a 1 to `CS.EN` will start a short internal power-up sequence for the ADC's analogue hardware. After a few clock cycles, `CS.READY` will go high, indicating the ADC is ready to start its first conversion.

To save power, you can disable the ADC at any time by clearing `CS.EN`. `CS.EN` does *not* enable the temperature sensor bias source; it is controlled separately, see [Section 12.4.6](#) for details.

The ADC input is capacitive. When sampling, the ADC places about 1pF across the input. Packaging, PCB routing, and other external factors introduce additional capacitance. The effective impedance, even when sampling at 500 kS/s, is over 100 kΩ. DC measurements have no need to buffer.

12.4.3.1. One-shot sample

To select an ADC input, write to to `CS.AINSEL`:

- On QFN-60, there are 4 external inputs, with an `AINSEL` value of 0 → 3 mapping to the ADC input on GPIO26 → GPIO29. Set `AINSEL` to 4 to select the internal temperature sensor.
- On QFN-80, there are 8 external inputs, with an `AINSEL` value of 0 → 7 mapping to the ADC input on GPIO40 → GPIO47. Set `AINSEL` to 8 to select the internal temperature sensor.

Switching `AINSEL` requires no settling time.

Write a 1 to `CS.START_ONCE` to immediately start a new conversion. `CS.READY` will go low to show that a conversion is currently in progress. After 96 cycles of `clk_adc`, `CS.READY` will go high. The 12-bit conversion result is available in `RESULT`.

12.4.3.2. Free-running sampling

When `CS.START_MANY` is set, the ADC automatically starts new conversions at regular intervals. The most recent conversion result is always available in `RESULT`, but for IRQ or DMA-driven streaming of samples, you must enable the ADC FIFO (Section 12.4.3.4).

By default (`DIV = 0`), new conversions start immediately after the previous conversion finishes, producing a new sample every 96 cycles. At a clock frequency of 48 MHz, this produces 500 kS/s.

Set `DIV.INT` to a positive value `n` to trigger the ADC once per `n + 1` cycles. The ADC ignores this if a conversion is currently in progress, so generally `n` will be ≥ 96 . For example, setting `DIV.INT` to 47999 runs the ADC at 1 kS/s, if running from a 48 MHz clock.

The pacing timer supports fractional-rate division (first order delta sigma). When setting `DIV.FRAC` to a non-zero value, the ADC starts a new conversion once per $1 + \text{INT} + \frac{\text{FRAC}}{256}$ cycles on average, by changing the sample interval between `INT + 1` and `INT + 2`.

12.4.3.3. Sampling multiple inputs

`CS.RROBIN` allows the ADC to sample multiple inputs in an interleaved fashion while performing free-running sampling. Each bit in `RROBIN` corresponds to one of the five possible values of `CS.AINSEL`. When the ADC completes a conversion, `CS.AINSEL` automatically cycles to the next input whose corresponding bit is set in `RROBIN`.

To disable the round-robin sampling feature, write all-zeroes to `CS.RROBIN`.

For example, if `AINSEL` is initially `0`, and `RROBIN` is set to `0x06` (bits 1 and 2 are set), the ADC samples channels in the following order:

1. Channel 0
2. Channel 1
3. Channel 2
4. Channel 1
5. Channel 2
6. Channel 1
7. Channel 2

The ADC continues to sample channels 1 and 2 indefinitely.

i NOTE

The initial value of `AINSEL` does not need to correspond with a set bit in `RROBIN`.

12.4.3.4. Sample FIFO

You can read ADC samples directly from the `RESULT` register or store them in a local 8-entry FIFO and read out from `FIFO`. Use the `FCS` register to control FIFO operation.

When `FCS.EN` is set, the ADC writes each conversion result to the FIFO. A software interrupt handler or the RP2350 DMA can read this sample from the FIFO when notified by the ADC's `IRQ` or `DREQ` signals. Alternatively, software can poll the status bits in `FCS` to wait for each sample to become available.

If the FIFO is full when a conversion completes, the sticky error flag `FCS.OVER` is set. When the FIFO is full, the current FIFO contents do not change, so any conversions that complete during this time are lost.

Two flags control the data written to the FIFO by the ADC:

- **FCS.SHIFT** right-shifts the FIFO data to eight bits in size (i.e. FIFO bits 7:0 are conversion result bits 11:4). This is suitable for 8-bit DMA transfer to a byte buffer in memory, allowing deeper capture buffers, at the cost of some precision.
- **FCS.ERR** sets the **FIFO.ERR** flag of each FIFO value, showing that a conversion error took place, i.e. the SAR failed to converge.

Conversion errors indicate that the comparison of one or more bits failed to complete in the time allowed. Conversion errors are typically caused by comparator metastability: the closer to the comparator threshold the input signal is, the longer it takes to make a decision. The higher the comparator gain, the lower the probability of conversion errors.

CAUTION

Because conversion errors produce undefined results, you should always discard samples that contain conversion errors.

12.4.3.5. DMA

The RP2350 DMA (Section 12.6) can fetch ADC samples from the sample FIFO, by performing a normal memory-mapped read on the **FIFO** register, paced by the **ADC_DREQ** system data request signal. Before you can use the DMA to fetch ADC samples, you must:

- Enable the sample FIFO (**FCS.EN**) so that samples are written to it; the FIFO is disabled by default so that it does not inadvertently fill when the ADC is used for one-shot conversions. Configure the ADC sample rate (Section 12.4.3.2) before starting the ADC.
- Enable the ADC's data request handshake (**DREQ**) via **FCS.DREQ_EN**.
- In the DMA channel used for the transfer, select the **DREQ_ADC** data request signal (Section 12.6.4.1).
- Set the threshold for **DREQ** assertion (**FCS.THRESH**) to 1, so that the DMA transfers as soon as a single sample is present in the FIFO. This is also the threshold used for **IRQ** assertion, so non-DMA use cases might prefer a higher value for less frequent interrupts.
- If the DMA transfer size is set to 8 bits (so that the DMA transfers to a byte array in memory), set **FCS.SHIFT** to pre-shift the FIFO samples to 8 bits of significance.
- To sample multiple input channels, write a mask of those channels to **CS.RROBIN**. Additionally, select the first channel to sample with **CS.AINSEL**.

Once the ADC is suitably configured, start the DMA channel first, then the ADC conversion via **CS.START_MANY**. Once the DMA completes, you can halt the ADC if you are finished sampling, or promptly start a new DMA transfer before the FIFO fills up. After clearing **CS.START_MANY** to halt the ADC, software should poll **CS.READY** to make sure the last conversion has finished, then drain any stray samples from the FIFO.

12.4.3.6. Interrupts

Use **INTE** to generate an interrupt when the FIFO level reaches a threshold defined in **FCS.THRESH**.

Use **INTS** to read the interrupt status. To clear the interrupt, drain the FIFO to a level lower than **FCS.THRESH**.

12.4.3.7. Supply

RP2350 separates the ADC supply out on its own pin to allow noise filtering.

12.4.4. ADC ENOB

ADC ENOB details are shown in [Table 1438](#).

12.4.5. INL and DNL

Details to follow.

12.4.6. Temperature sensor

The temperature sensor measures the V_{be} voltage of a biased bipolar diode, connected to the fifth ADC channel ($A_{INSEL}=4$) on QFN-60 or the ninth ADC channel ($A_{INSEL}=8$) on QFN-80. Typically, $V_{be} = 0.706$ V at 27 °C, with a slope of -1.721 mV per degree. Therefore the temperature in °C can be approximated as follows:

$$T = 27 - \frac{(ADC_voltage - 0.706)}{0.001721}$$

As the V_{be} and the V_{be} slope can vary over the temperature range, and from device to device, some user calibration may be required if accurate measurements are required.

The temperature sensor’s bias source must be enabled before use, via [CS.TS_EN](#). This increases current consumption on [ADC_AVDD](#) by approximately 40 µA.

i NOTE

The on board temperature sensor is very sensitive to errors in reference voltage. At 3.3 V, a value of 891 returned by the ADC corresponds to a temperature of 20.1°C. At a reference voltage 1% lower than 3.3 V, the same reading of 891 correspond to a temperature of 24.3°C: a temperature change of over 4°C. To improve the accuracy of the internal temperature sensor, consider adding an external reference voltage.

12.4.7. List of registers

The ADC registers start at a base address of [0x400a0000](#) (defined as [ADC_BASE](#) in SDK).

Table 1120. List of ADC registers

| Offset | Name | Info |
|--------|------------------------|--|
| 0x00 | CS | ADC Control and Status |
| 0x04 | RESULT | Result of most recent ADC conversion |
| 0x08 | FCS | FIFO control and status |
| 0x0c | FIFO | Conversion result FIFO |
| 0x10 | DIV | Clock divider. If non-zero, CS_START_MANY will start conversions at regular intervals rather than back-to-back. The divider is reset when either of these fields are written. Total period is $1 + INT + FRAC / 256$ |
| 0x14 | INTR | Raw Interrupts |
| 0x18 | INTE | Interrupt Enable |
| 0x1c | INTF | Interrupt Force |
| 0x20 | INTS | Interrupt status after masking & forcing |

ADC: CS Register

Offset: 0x00

Description

ADC Control and Status

Table 1121. CS Register

| Bits | Description | Type | Reset |
|-------|---|------|-------|
| 31:25 | Reserved. | - | - |
| 24:16 | RROBIN : Round-robin sampling. 1 bit per channel. Set all bits to 0 to disable. Otherwise, the ADC will cycle through each enabled channel in a round-robin fashion. The first channel to be sampled will be the one currently indicated by AINSEL. AINSEL will be updated after each conversion with the newly-selected channel. | RW | 0x000 |
| 15:12 | AINSEL : Select analog mux input. Updated automatically in round-robin mode. This is corrected for the package option so only ADC channels which are bonded are available, and in the correct order | RW | 0x0 |
| 11 | Reserved. | - | - |
| 10 | ERR_STICKY : Some past ADC conversion encountered an error. Write 1 to clear. | WC | 0x0 |
| 9 | ERR : The most recent ADC conversion encountered an error; result is undefined or noisy. | RO | 0x0 |
| 8 | READY : 1 if the ADC is ready to start a new conversion. Implies any previous conversion has completed. 0 whilst conversion in progress. | RO | 0x0 |
| 7:4 | Reserved. | - | - |
| 3 | START_MANY : Continuously perform conversions whilst this bit is 1. A new conversion will start immediately after the previous finishes. | RW | 0x0 |
| 2 | START_ONCE : Start a single conversion. Self-clearing. Ignored if start_many is asserted. | SC | 0x0 |
| 1 | TS_EN : Power on temperature sensor. 1 - enabled. 0 - disabled. | RW | 0x0 |
| 0 | EN : Power on ADC and enable its clock. 1 - enabled. 0 - disabled. | RW | 0x0 |

ADC: RESULT Register

Offset: 0x04

Table 1122. RESULT Register

| Bits | Description | Type | Reset |
|-------|--------------------------------------|------|-------|
| 31:12 | Reserved. | - | - |
| 11:0 | Result of most recent ADC conversion | RO | 0x000 |

ADC: FCS Register

Offset: 0x08

Description

FIFO control and status

Table 1123. FCS Register

| Bits | Description | Type | Reset |
|-------|--|------|-------|
| 31:28 | Reserved. | - | - |
| 27:24 | THRESH : DREQ/IRQ asserted when level >= threshold | RW | 0x0 |
| 23:20 | Reserved. | - | - |
| 19:16 | LEVEL : The number of conversion results currently waiting in the FIFO | RO | 0x0 |
| 15:12 | Reserved. | - | - |
| 11 | OVER : 1 if the FIFO has been overflowed. Write 1 to clear. | WC | 0x0 |
| 10 | UNDER : 1 if the FIFO has been underflowed. Write 1 to clear. | WC | 0x0 |
| 9 | FULL | RO | 0x0 |
| 8 | EMPTY | RO | 0x0 |
| 7:4 | Reserved. | - | - |
| 3 | DREQ_EN : If 1: assert DMA requests when FIFO contains data | RW | 0x0 |
| 2 | ERR : If 1: conversion error bit appears in the FIFO alongside the result | RW | 0x0 |
| 1 | SHIFT : If 1: FIFO results are right-shifted to be one byte in size. Enables DMA to byte buffers. | RW | 0x0 |
| 0 | EN : If 1: write result to the FIFO after each conversion. | RW | 0x0 |

ADC: FIFO Register

Offset: 0x0c

Description

Conversion result FIFO

Table 1124. FIFO Register

| Bits | Description | Type | Reset |
|-------|---|------|-------|
| 31:16 | Reserved. | - | - |
| 15 | ERR : 1 if this particular sample experienced a conversion error. Remains in the same location if the sample is shifted. | RF | - |
| 14:12 | Reserved. | - | - |
| 11:0 | VAL | RF | - |

ADC: DIV Register

Offset: 0x10

Description

Clock divider. If non-zero, CS_START_MANY will start conversions at regular intervals rather than back-to-back.

The divider is reset when either of these fields are written.

Total period is $1 + INT + \frac{FRAC}{256}$

Table 1125. DIV Register

| Bits | Description | Type | Reset |
|-------|--|------|--------|
| 31:24 | Reserved. | - | - |
| 23:8 | INT : Integer part of clock divisor. | RW | 0x0000 |
| 7:0 | FRAC : Fractional part of clock divisor. First-order delta-sigma. | RW | 0x00 |

ADC: INTR Register

Offset: 0x14

Description

Raw Interrupts

Table 1126. INTR Register

| Bits | Description | Type | Reset |
|------|---|------|-------|
| 31:1 | Reserved. | - | - |
| 0 | FIFO: Triggered when the sample FIFO reaches a certain level. This level can be programmed via the FCS_THRESH field. | RO | 0x0 |

ADC: INTE Register

Offset: 0x18

Description

Interrupt Enable

Table 1127. INTE Register

| Bits | Description | Type | Reset |
|------|---|------|-------|
| 31:1 | Reserved. | - | - |
| 0 | FIFO: Triggered when the sample FIFO reaches a certain level. This level can be programmed via the FCS_THRESH field. | RW | 0x0 |

ADC: INTF Register

Offset: 0x1c

Description

Interrupt Force

Table 1128. INTF Register

| Bits | Description | Type | Reset |
|------|---|------|-------|
| 31:1 | Reserved. | - | - |
| 0 | FIFO: Triggered when the sample FIFO reaches a certain level. This level can be programmed via the FCS_THRESH field. | RW | 0x0 |

ADC: INTS Register

Offset: 0x20

Description

Interrupt status after masking & forcing

Table 1129. INTS Register

| Bits | Description | Type | Reset |
|------|---|------|-------|
| 31:1 | Reserved. | - | - |
| 0 | FIFO: Triggered when the sample FIFO reaches a certain level. This level can be programmed via the FCS_THRESH field. | RO | 0x0 |

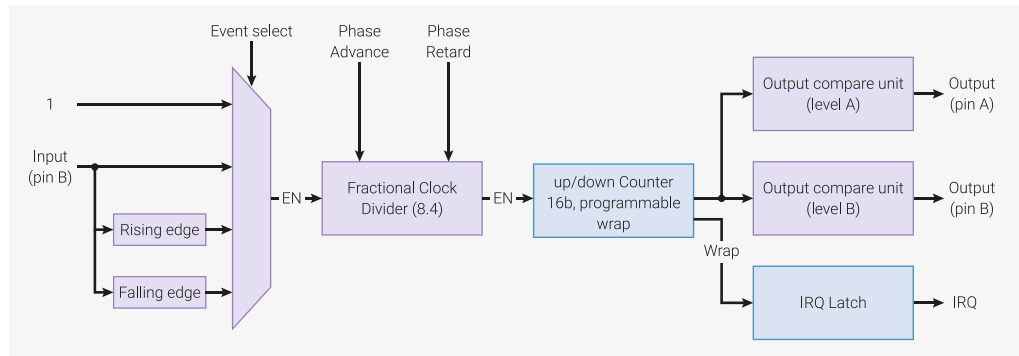
12.5. PWM

12.5.1. Overview

Pulse width modulation (PWM) smoothly varies the average voltage of a digital signal using controlled-width positive pulses at regular intervals. The fraction of time spent high is known as the duty cycle. This may be used to approximate an analogue output or control switchmode power electronics.

The RP2350 PWM block has 12 identical slices. Each slice can drive two PWM output signals, or measure the frequency or duty cycle of an input signal. The two outputs on each slice have the same period, but independently varying duty cycles, so this gives a total of 24 controllable PWM outputs in the QFN-80 package.

Figure 111. A single PWM slice. A 16-bit counter counts from 0 up to some programmed value, and then wraps to zero, or counts back down again, depending on PWM mode. The A and B outputs transition high and low based on the current count value and the preprogrammed A and B thresholds. The counter advances based on a number of events: it may be free-running, or gated by level or edge of an input signal on the B pin. A fractional divider slows the overall count rate for finer control of output frequency.



Each PWM slice is equipped with the following:

- 16-bit counter
- 8.4 fractional clock divider
- Two independent output channels, duty cycle from 0% to 100% **inclusive**
- Dual slope and trailing edge modulation
- Edge-sensitive input mode for frequency measurement
- Level-sensitive input mode for duty cycle measurement
- Configurable counter wrap value
 - Wrap and level registers are double buffered and can be changed race-free while PWM is running
- Interrupt request and DMA request on counter wrap
- Phase can be precisely advanced or retarded while running (increments of one count)

Slices can be enabled or disabled simultaneously via a single global control register. Slices then run in lockstep, so that more complex power circuitry can be switched by the outputs of multiple slices.

12.5.1.1. Changes from RP2040

- Increased the number of slices from 8 to 12, with the 4 additional slices available on GPIOs 32 through 47 in the QFN-80 package.
- Added a second shared interrupt line (controlled by `IRQ1_INTE`), to aid use of PWM slices as simple repeating timers.

12.5.2. Programmer's model

All GPIO pins on RP2350 can be used for PWM:

Table 1130. Mapping of PWM channels to GPIO pins on RP2350. This is also shown in the main GPIO function table, Table 646

| | | | | | | | | | | | | | | | | |
|-------------|----|----|----|----|-----|-----|-----|-----|----|----|----|----|-----|-----|-----|-----|
| GPIO | 0 | 1 | 2 | 3 | 4 | 5 | 6 | 7 | 8 | 9 | 10 | 11 | 12 | 13 | 14 | 15 |
| PWM Channel | 0A | 0B | 1A | 1B | 2A | 2B | 3A | 3B | 4A | 4B | 5A | 5B | 6A | 6B | 7A | 7B |
| GPIO | 16 | 17 | 18 | 19 | 20 | 21 | 22 | 23 | 24 | 25 | 26 | 27 | 28 | 29 | 30 | 31 |
| PWM Channel | 0A | 0B | 1A | 1B | 2A | 2B | 3A | 3B | 4A | 4B | 5A | 5B | 6A | 6B | 7A | 7B |
| GPIO | 32 | 33 | 34 | 35 | 36 | 37 | 38 | 39 | 40 | 41 | 42 | 43 | 44 | 45 | 46 | 47 |
| PWM Channel | 8A | 8B | 9A | 9B | 10A | 10B | 11A | 11B | 8A | 8B | 9A | 9B | 10A | 10B | 11A | 11B |

- The first 16 PWM channels (8 × 2-channel slices) appear on GPIOs 0 through 15, in the order **PWM0 A**, **PWM0 B**, **PWM1 A**, and so on.
- This pattern repeats for GPIOs 16 through 31. GPIO16 is **PWM0 A**, GPIO17 is **PWM0 B**, and so on up to **PWM7 B** on GPIO31. GPIO30 and above are available only in the QFN-80 package.
- The remaining 8 PWM channels (4 × 2-channel slices) appear on GPIOs 32 through 39, and then repeat on GPIOs 40 through 47.
- If you select the same PWM output on two GPIO pins, the same signal appears on both.
- If you use **B** pin as an input and select it on multiple GPIO pins, the PWM slice sees the logical OR of those two GPIO inputs.

NOTE

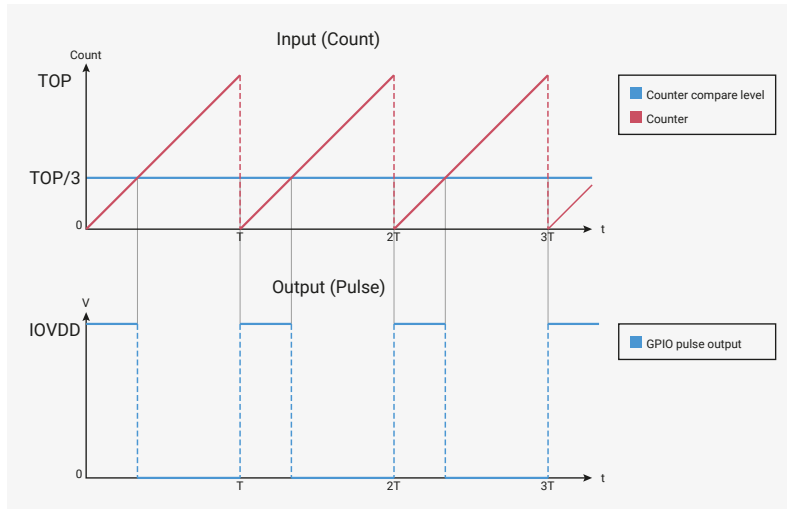
GPIOs 0 through 29 have the same channel assignment as RP2040 for pinout compatibility. This reduces the maximum number of independent PWM outputs in the QFN-60 package option of RP2350, but you can still use slices 8 through 11 for repeating timer interrupts in this package.

12.5.2.1. Pulse width modulation (PWM)

The PWM hardware continuously compares an input value to a free-running counter. This produces a toggling output; the amount of time spent at the high output level corresponds to the input value. The fraction of time spent at the high signal level is known as the duty cycle of the signal.

The counting period is controlled by the **TOP** register, with a maximum possible period of 65536 cycles, as the counter and **TOP** are 16 bits in size. Use the **CC** register to configure input values.

Figure 112. The counter repeatedly counts from 0 to TOP, forming a sawtooth shape. The counter is continuously compared with some input value. When the input value is higher than the counter, the output is driven high. Otherwise, the output is low. The output period T is defined by the TOP value of the counter, and how fast the counter is configured to count. The average output voltage, as a fraction of the IO power supply, is the input value divided by the counter period (TOP + 1)



This example shows the counting period and the A and B counter compare levels being configured on one of RP2350's PWM slices.

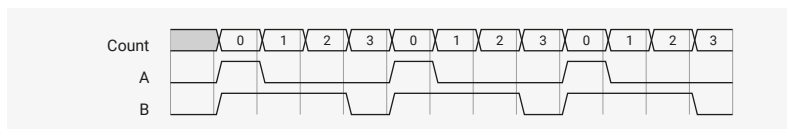
Pico Examples: https://github.com/raspberrypi/pico-examples/blob/master/pwm/hello_pwm/hello_pwm.c Lines 14 - 29

```

14 // Tell GPIO 0 and 1 they are allocated to the PWM
15 gpio_set_function(0, GPIO_FUNC_PWM);
16 gpio_set_function(1, GPIO_FUNC_PWM);
17
18 // Find out which PWM slice is connected to GPIO 0 (it's slice 0)
19 uint slice_num = pwm_gpio_to_slice_num(0);
20
21 // Set period of 4 cycles (0 to 3 inclusive)
22 pwm_set_wrap(slice_num, 3);
23 // Set channel A output high for one cycle before dropping
24 pwm_set_chan_level(slice_num, PWM_CHAN_A, 1);
25 // Set initial B output high for three cycles before dropping
26 pwm_set_chan_level(slice_num, PWM_CHAN_B, 3);
27 // Set the PWM running
28 pwm_set_enabled(slice_num, true);
    
```

Figure 113 shows how the PWM hardware operates once it has been configured.

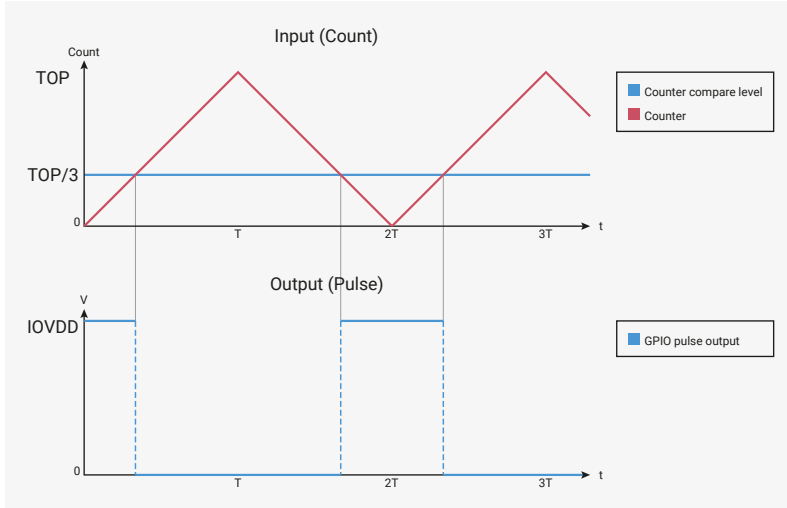
Figure 113. The slice counts repeatedly from 0 to 3, which is configured as the TOP value. The output waves therefore have a period of 4. Output A is high for 1 cycle in 4, so the average output voltage is 1/4 of the IO supply voltage. Output B is high for 3 cycles in every 4. The rising edges of A and B are always aligned.



By default, PWM slices count upward until they reach the value of the TOP register. After they reach the TOP value, they wrap to 0. Alternatively, set CSR_PH_CORRECT to 1 to enable phase-correct mode, where the counter counts downward after reaching TOP, until it reaches 0 again.

Phase-correct mode centres the pulse on the same point no matter the duty cycle; its phase is not a function of duty cycle. When phase-correct mode is enabled, the output frequency is halved. The slice spends two cycles at a count of TOP and two cycles at a count of 0 each PWM period.

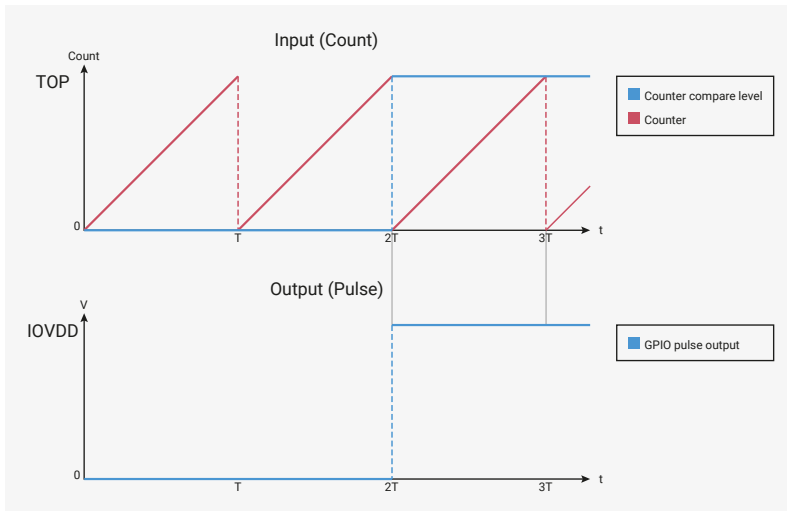
Figure 114. In phase-correct mode, the counter counts back down from TOP to 0 once it reaches TOP.



12.5.2.2. 0% and 100% Duty Cycle

The RP2350 PWM can produce toggle-free 0% and 100% duty cycle output.

Figure 115. Glitch-free 0% duty cycle output for CC = 0, and glitch-free 100% duty cycle output for CC = TOP + 1



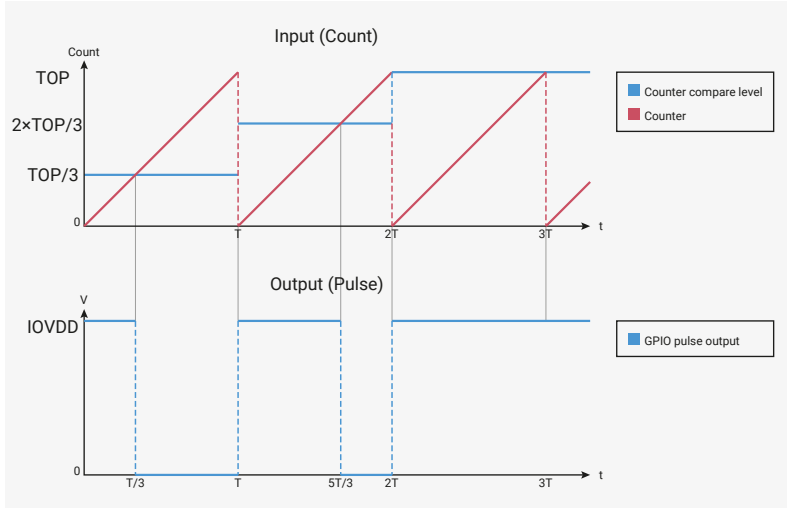
A **CC** value of 0 produces a 0% output: the output signal is always low. A **CC** value of $TOP + 1$ (equal to the period when not phase-corrected) produces a 100% output. If **TOP** is 254, the counter has a period of 255 cycles, and **CC** values in the range of 0 to 255 inclusive will produce duty cycles in the range 0% to 100% inclusive.

Glitch-free output at 0% and 100% helps avoid switching losses, for instance, when a MOSFET is controlled at its minimum and maximum current levels.

12.5.2.3. Double buffering

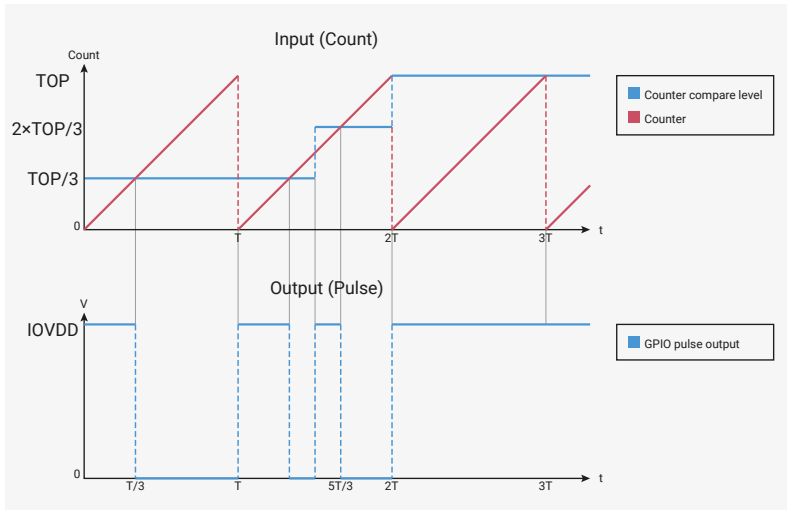
Figure 116 shows how a change in input value produces a change in output duty cycle. This can approximate analogue waveforms such as a sine wave.

Figure 116. The input value varies with each counter period: first $TOP / 3$, then $2 \times TOP / 3$, and finally $TOP + 1$ for 100% duty cycle. Each increase in the input value causes a corresponding increase in the output duty cycle.



In Figure 116, the input value only changes at the instant where the counter wraps through 0. Figure 117 shows what happens if the input value is allowed to change at any other time: an unwanted glitch is produced at the output.

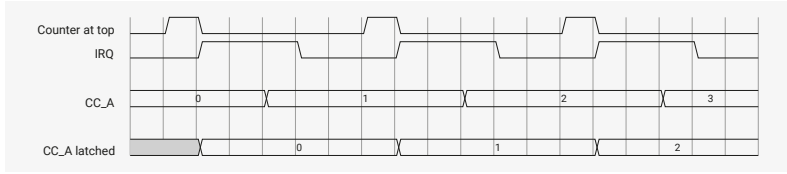
Figure 117. The input value changes whilst the counter is mid-ramp. This produces additional toggling at the output.



The behaviour becomes even more perplexing if the TOP register is also modified. It would be difficult for software to write to CC or TOP with the correct timing. To solve this, each slice has two copies of the CC and TOP registers: one copy that software can modify, and another, internal copy that is updated from the first register at the instant the counter wraps. Software can modify its copy of the register at will, but the changes are not captured by the PWM output until the next wrap.

Figure 118 shows the sequence of events where a software interrupt handler changes the value of CC_A each time the counter wraps.

Figure 118. Each counter wrap causes the interrupt request signal to assert. The processor enters its interrupt handler, writes to its copy of the CC register, and clears the interrupt. When the counter wraps again, the latched version of the CC register is instantaneously updated with the most recent value written by software, and this value controls the duty cycle for the next period. The IRQ is reasserted so that software can write another fresh value to its copy of the CC register.

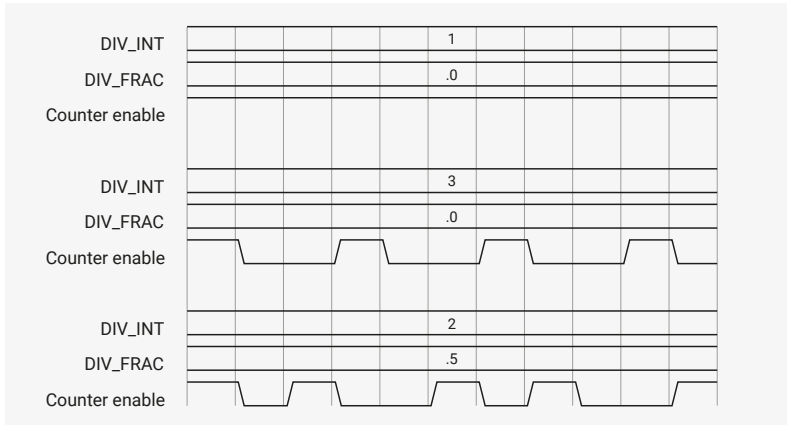


There is no limitation on what values can be written to **CC** or **TOP**, or when they are written. In normal PWM mode (**CSR_PH_CORRECT** is 0), the latched copies update when the counter wraps to 0, which occurs once every **TOP** + 1 cycles. In phase-correct mode (**CSR_PH_CORRECT** is 1), the latched copies update on the 0 to 0 count transition, when the counter stops counting downward and begins to count upward again.

12.5.2.4. Clock divider

Each slice has a 8 integer bit, 4 fractional bit fractional clock divider configured by the **DIV** register. The clock divider allows you to slow the count rate by a factor of up to 256. To do this, the PWM generates an enable signal that gates counter operation. This allows you to achieve output frequencies significantly lower than the system clock. For instance, from a 125MHz system clock, the clock divider can slow the count rate to approximately 7.5Hz. Lower frequencies than this require a system timer interrupt (Section 12.8).

Figure 119. The clock divider generates an enable signal. The counter only counts on cycles where this signal is high. A clock divisor of 1 causes the enable to be asserted on every cycle, so the counter counts by one on every system clock cycle. Higher divisors cause the count enable to be asserted less frequently. Fractional division achieves an average fractional counting rate by spacing some enable pulses further apart than others.



The fractional divider is a first-order delta-sigma type.

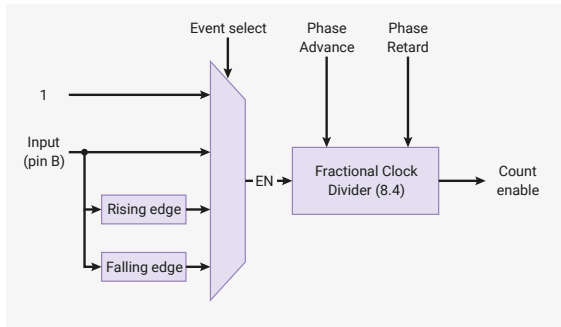
The clock divider also extends the effective count range when using level-sensitive or edge-sensitive modes to take duty cycle or frequency measurements.

12.5.2.5. Level-sensitive and edge-sensitive triggering

The PWM provides the following counter modes:

- Default free-running, counting continuously whenever the slice is enabled (free-running)
- Count continuously when a high level is detected on the B pin (level sensitive)
- Count once with each rising edge detected on the B pin (rising edge-sensitive)
- Count once with each falling edge detected on the B pin (falling edge-sensitive)

Figure 120. PWM slice event selection. The counter advances when its enable input is high. This enable is generated by two sequential stages. First, any one of four event types (always on, pin B high, pin B rise, pin B fall) can generate enable pulses for the fractional clock divider. The divider can reduce the rate of the enable pulses, before passing them on to the counter.



Use the `DIVMODE` field in each slice's `CSR` to select a mode. In free-running mode, the A and B pins are both outputs. In any other mode, the B pin becomes an input that controls counter operation. `CC_B` is ignored when not in free-running mode.

You can measure the duty cycle or frequency of an input signal by running the slice for a fixed amount of time in level-sensitive or edge-sensitive mode. Due to the type of edge-detect circuit used, the low period and high period of the measured signal must both be strictly greater than the system clock period when taking frequency measurements.

The clock divider still operates in level-sensitive and edge-sensitive modes. At maximum division (`DIV_INT` is 0), the counter only advances once per 256 high input cycles in level-sensitive modes, or once per 256 edges in edge-sensitive mode. This allows you to take longer-running measurements, although the resolution is still 16 bits.

Pico Examples: https://github.com/raspberrypi/pico-examples/blob/master/pwm/measure_duty_cycle/measure_duty_cycle.c Lines 19 - 37

```

19 float measure_duty_cycle(uint gpio) {
20     // Only the PWM B pins can be used as inputs.
21     assert(pwm_gpio_to_channel(gpio) == PWM_CHAN_B);
22     uint slice_num = pwm_gpio_to_slice_num(gpio);
23
24     // Count once for every 100 cycles the PWM B input is high
25     pwm_config cfg = pwm_get_default_config();
26     pwm_config_set_clkdiv_mode(&cfg, PWM_DIV_B_HIGH);
27     pwm_config_set_clkdiv(&cfg, 100);
28     pwm_init(slice_num, &cfg, false);
29     gpio_set_function(gpio, GPIO_FUNC_PWM);
30
31     pwm_set_enabled(slice_num, true);
32     sleep_ms(10);
33     pwm_set_enabled(slice_num, false);
34     float counting_rate = clock_get_hz(clk_sys) / 100;
35     float max_possible_count = counting_rate * 0.01;
36     return pwm_get_counter(slice_num) / max_possible_count;
37 }

```

12.5.2.6. Configuring PWM period

When free-running, use the following three parameters to control the period of a PWM slice's output (measured in system clock cycles):

- The `TOP` register, which controls the maximum value of the counting period
- The `CSR_PH_CORRECT` bit, which enables phase-correct mode
- The `DIV` register, which controls the clock divider

The slice counts from 0 to `TOP`, then either wraps or begins counting backward, depending on the setting of `CSR_PH_CORRECT`. The clock divider slows the rate of counting, with a maximum speed of one count per cycle, and a minimum speed of one count per 256 cycles. Calculate the period in clock cycles with the following equation:

$$\text{period} = (\text{TOP} + 1) \times (\text{CSR_PH_CORRECT} + 1) \times \left(\text{DIV_INT} + \frac{\text{DIV_FRAC}}{16} \right)$$

To determine the output frequency based on the system clock frequency, use the following equation:

$$f_{PWM} = \frac{f_{sys}}{\text{period}} = \frac{f_{sys}}{(\text{TOP} + 1) \times (\text{CSR_PH_CORRECT} + 1) \times \left(\text{DIV_INT} + \frac{\text{DIV_FRAC}}{16} \right)}$$

Set `DIV_INT` to 0 to divide the count rate by the maximum possible value of 256. You must not set any `DIV_FRAC` bits when `DIV_INT` is 0.

12.5.2.7. Interrupt Request (IRQ) and DMA Data Request (DREQ)

The PWM block has two IRQ outputs. The interrupt status registers `INTR`, `INTS0`, `INTS1`, `INTE0` and `INTE1` allow software to:

- Control which slices assert each of the two IRQs
- Check which slices caused the assertion of an IRQ
- Clear and acknowledge the interrupt

A slice generates an interrupt request each time its counter wraps (or, in phase-correct mode, each time the counter returns to 0). This sets the flag corresponding to this slice in the raw interrupt status register, `INTR`. If this slice's interrupt is enabled in `INTE`, this flag causes the PWM block's IRQ to be asserted, and the flag also appears in the masked interrupt status register `INTS`.

To clear flags, write a mask back to `INTR`. This is demonstrated in the LED fade SDK example below:

Pico Examples: https://github.com/raspberrypi/pico-examples/blob/master/pwm/led_fade/pwm_led_fade.c

```

1 /**
2  * Copyright (c) 2020 Raspberry Pi (Trading) Ltd.
3  *
4  * SPDX-License-Identifier: BSD-3-Clause
5  */
6
7 // Fade an LED between low and high brightness. An interrupt handler updates
8 // the PWM slice's output level each time the counter wraps.
9
10 #include "pico/stdlib.h"
11 #include <stdio.h>
12 #include "pico/time.h"
13 #include "hardware/irq.h"
14 #include "hardware/pwm.h"
15
16 void on_pwm_wrap() {
17     static int fade = 0;
18     static bool going_up = true;
19     // Clear the interrupt flag that brought us here
20     pwm_clear_irq(pwm_gpio_to_slice_num(PICO_DEFAULT_LED_PIN));
21
22     if (going_up) {
23         ++fade;
24         if (fade > 255) {
25             fade = 255;
26             going_up = false;
27         }
28     } else {
29         --fade;
30         if (fade < 0) {
31             fade = 0;
32             going_up = true;

```

```

33     }
34 }
35 // Square the fade value to make the LED's brightness appear more linear
36 // Note this range matches with the wrap value
37 pwm_set_gpio_level(PICO_DEFAULT_LED_PIN, fade * fade);
38 }
39
40 int main() {
41 #ifndef PICO_DEFAULT_LED_PIN
42 #warning pwm/led_fade example requires a board with a regular LED
43 #else
44 // Tell the LED pin that the PWM is in charge of its value.
45 gpio_set_function(PICO_DEFAULT_LED_PIN, GPIO_FUNC_PWM);
46 // Figure out which slice we just connected to the LED pin
47 uint slice_num = pwm_gpio_to_slice_num(PICO_DEFAULT_LED_PIN);
48
49 // Mask our slice's IRQ output into the PWM block's single interrupt line,
50 // and register our interrupt handler
51 pwm_clear_irq(slice_num);
52 pwm_set_irq_enabled(slice_num, true);
53 irq_set_exclusive_handler(PWM_DEFAULT_IRQ_NUM(), on_pwm_wrap);
54 irq_set_enabled(PWM_DEFAULT_IRQ_NUM(), true);
55
56 // Get some sensible defaults for the slice configuration. By default, the
57 // counter is allowed to wrap over its maximum range (0 to 2**16-1)
58 pwm_config config = pwm_get_default_config();
59 // Set divider, reduces counter clock to sysclock/this value
60 pwm_config_set_clkdiv(&config, 4.f);
61 // Load the configuration into our PWM slice, and set it running.
62 pwm_init(slice_num, &config, true);
63
64 // Everything after this point happens in the PWM interrupt handler, so we
65 // can twiddle our thumbs
66 while (1)
67     tight_loop_contents();
68 #endif
69 }

```

This scheme allows multiple slices to generate interrupts concurrently. A system interrupt handler determines which slices caused the most recent interruption, and handles them appropriately. Normally, this means reloading those slices' **TOP** or **CC** registers, but the PWM block can also be used as a source of regular interrupt requests for non-PWM purposes.

The same pulse which sets the interrupt flag in **INTR** is also available as a one-cycle data request to the RP2350 system DMA. For each cycle the DMA sees a **DREQ** asserted, it makes one data transfer to its programmed location in as timely a manner as possible. Combined with the double-buffered behaviour of **CC** and **TOP**, the DMA can efficiently stream data to a PWM slice at a rate of one transfer per counter period. Alternatively, a PWM slice could serve as a pacing timer for DMA transfers to some other memory-mapped hardware.

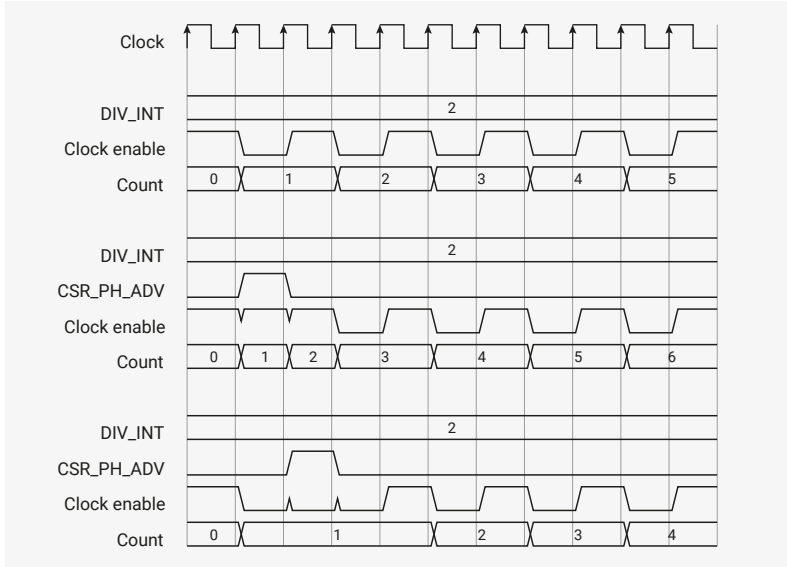
12.5.2.8. On-the-fly phase adjustment

For some applications, it is necessary to control the phase relationship between two PWM outputs on different slices.

The global enable register **EN** contains an alias of the **CSR_EN** flag for each slice. Use this register to start and stop several slices simultaneously. If two slices with the same output frequency start at the same time, they run in perfect lockstep, with a fixed phase relationship determined by the initial counter values.

The **CSR_PH_ADV** and **CSR_PH_RET** fields advance or retard a slice's output phase by one count whilst it is running. They do so by inserting or deleting pulses from the clock enable (the output of the clock divider), as shown in [Figure 121](#).

Figure 121. The clock enable signal, output by the clock divider, controls the rate of counting. Phase advance forces the clock enable high on cycles where it is low, causing the counter to jump forward by one count. Phase retard forces the clock enable low when it would be high, holding the counter back by one count.



The counter cannot count faster than once per cycle, so PH_ADV requires DIV_INT > 1 or DIV_FRAC > 0. Likewise, the counter will not start to count backward if PH_RET is asserted when the clock enable is permanently low.

To advance or retard the phase by one count, software writes 1 to PH_ADV or PH_RET. Once an enable pulse has been inserted or deleted, the PH_ADV or PH_RET register bit returns to 0. Software can poll CSR until this happens. PH_ADV always inserts a pulse into the next available gap; PH_RET always deletes the next available pulse.

12.5.3. List of registers

The PWM registers start at a base address of 0x400a8000 (defined as PWM_BASE in the SDK).

Table 1131. List of PWM registers

| Offset | Name | Info |
|--------|---------|---|
| 0x000 | CH0_CSR | Control and status register |
| 0x004 | CH0_DIV | INT and FRAC form a fixed-point fractional number. Counting rate is system clock frequency divided by this number. Fractional division uses simple 1st-order sigma-delta. |
| 0x008 | CH0_CTR | Direct access to the PWM counter |
| 0x00c | CH0_CC | Counter compare values |
| 0x010 | CH0_TOP | Counter wrap value |
| 0x014 | CH1_CSR | Control and status register |
| 0x018 | CH1_DIV | INT and FRAC form a fixed-point fractional number. Counting rate is system clock frequency divided by this number. Fractional division uses simple 1st-order sigma-delta. |
| 0x01c | CH1_CTR | Direct access to the PWM counter |
| 0x020 | CH1_CC | Counter compare values |
| 0x024 | CH1_TOP | Counter wrap value |
| 0x028 | CH2_CSR | Control and status register |
| 0x02c | CH2_DIV | INT and FRAC form a fixed-point fractional number. Counting rate is system clock frequency divided by this number. Fractional division uses simple 1st-order sigma-delta. |

| Offset | Name | Info |
|--------|---------|---|
| 0x030 | CH2_CTR | Direct access to the PWM counter |
| 0x034 | CH2_CC | Counter compare values |
| 0x038 | CH2_TOP | Counter wrap value |
| 0x03c | CH3_CSR | Control and status register |
| 0x040 | CH3_DIV | INT and FRAC form a fixed-point fractional number. Counting rate is system clock frequency divided by this number. Fractional division uses simple 1st-order sigma-delta. |
| 0x044 | CH3_CTR | Direct access to the PWM counter |
| 0x048 | CH3_CC | Counter compare values |
| 0x04c | CH3_TOP | Counter wrap value |
| 0x050 | CH4_CSR | Control and status register |
| 0x054 | CH4_DIV | INT and FRAC form a fixed-point fractional number. Counting rate is system clock frequency divided by this number. Fractional division uses simple 1st-order sigma-delta. |
| 0x058 | CH4_CTR | Direct access to the PWM counter |
| 0x05c | CH4_CC | Counter compare values |
| 0x060 | CH4_TOP | Counter wrap value |
| 0x064 | CH5_CSR | Control and status register |
| 0x068 | CH5_DIV | INT and FRAC form a fixed-point fractional number. Counting rate is system clock frequency divided by this number. Fractional division uses simple 1st-order sigma-delta. |
| 0x06c | CH5_CTR | Direct access to the PWM counter |
| 0x070 | CH5_CC | Counter compare values |
| 0x074 | CH5_TOP | Counter wrap value |
| 0x078 | CH6_CSR | Control and status register |
| 0x07c | CH6_DIV | INT and FRAC form a fixed-point fractional number. Counting rate is system clock frequency divided by this number. Fractional division uses simple 1st-order sigma-delta. |
| 0x080 | CH6_CTR | Direct access to the PWM counter |
| 0x084 | CH6_CC | Counter compare values |
| 0x088 | CH6_TOP | Counter wrap value |
| 0x08c | CH7_CSR | Control and status register |
| 0x090 | CH7_DIV | INT and FRAC form a fixed-point fractional number. Counting rate is system clock frequency divided by this number. Fractional division uses simple 1st-order sigma-delta. |
| 0x094 | CH7_CTR | Direct access to the PWM counter |
| 0x098 | CH7_CC | Counter compare values |
| 0x09c | CH7_TOP | Counter wrap value |
| 0x0a0 | CH8_CSR | Control and status register |

| Offset | Name | Info |
|--------|-----------|---|
| 0x0a4 | CH8_DIV | INT and FRAC form a fixed-point fractional number. Counting rate is system clock frequency divided by this number. Fractional division uses simple 1st-order sigma-delta. |
| 0x0a8 | CH8_CTR | Direct access to the PWM counter |
| 0x0ac | CH8_CC | Counter compare values |
| 0x0b0 | CH8_TOP | Counter wrap value |
| 0x0b4 | CH9_CSR | Control and status register |
| 0x0b8 | CH9_DIV | INT and FRAC form a fixed-point fractional number. Counting rate is system clock frequency divided by this number. Fractional division uses simple 1st-order sigma-delta. |
| 0x0bc | CH9_CTR | Direct access to the PWM counter |
| 0x0c0 | CH9_CC | Counter compare values |
| 0x0c4 | CH9_TOP | Counter wrap value |
| 0x0c8 | CH10_CSR | Control and status register |
| 0x0cc | CH10_DIV | INT and FRAC form a fixed-point fractional number. Counting rate is system clock frequency divided by this number. Fractional division uses simple 1st-order sigma-delta. |
| 0x0d0 | CH10_CTR | Direct access to the PWM counter |
| 0x0d4 | CH10_CC | Counter compare values |
| 0x0d8 | CH10_TOP | Counter wrap value |
| 0x0dc | CH11_CSR | Control and status register |
| 0x0e0 | CH11_DIV | INT and FRAC form a fixed-point fractional number. Counting rate is system clock frequency divided by this number. Fractional division uses simple 1st-order sigma-delta. |
| 0x0e4 | CH11_CTR | Direct access to the PWM counter |
| 0x0e8 | CH11_CC | Counter compare values |
| 0x0ec | CH11_TOP | Counter wrap value |
| 0x0f0 | EN | This register aliases the CSR_EN bits for all channels. Writing to this register allows multiple channels to be enabled or disabled simultaneously, so they can run in perfect sync. For each channel, there is only one physical EN register bit, which can be accessed through here or CHx_CSR. |
| 0x0f4 | INTR | Raw Interrupts |
| 0x0f8 | IRQ0_INTE | Interrupt Enable for irq0 |
| 0x0fc | IRQ0_INTF | Interrupt Force for irq0 |
| 0x100 | IRQ0_INTS | Interrupt status after masking & forcing for irq0 |
| 0x104 | IRQ1_INTE | Interrupt Enable for irq1 |
| 0x108 | IRQ1_INTF | Interrupt Force for irq1 |
| 0x10c | IRQ1_INTS | Interrupt status after masking & forcing for irq1 |

PWM: CH0_CSR, CH1_CSR, ..., CH10_CSR, CH11_CSR Registers

Offsets: 0x000, 0x014, ..., 0x0c8, 0x0dc

Description

Control and status register

Table 1132. CH0_CSR, CH1_CSR, ..., CH10_CSR, CH11_CSR Registers

| Bits | Description | Type | Reset |
|------|--|------|-------|
| 31:8 | Reserved. | - | - |
| 7 | PH_ADV: Advance the phase of the counter by 1 count, while it is running. Self-clearing. Write a 1, and poll until low. Counter must be running at less than full speed ($\text{div_int} + \text{div_frac} / 16 > 1$) | SC | 0x0 |
| 6 | PH_RET: Retard the phase of the counter by 1 count, while it is running. Self-clearing. Write a 1, and poll until low. Counter must be running. | SC | 0x0 |
| 5:4 | DIVMODE | RW | 0x0 |
| | Enumerated values: | | |
| | 0x0 → DIV: Free-running counting at rate dictated by fractional divider | | |
| | 0x1 → LEVEL: Fractional divider operation is gated by the PWM B pin. | | |
| | 0x2 → RISE: Counter advances with each rising edge of the PWM B pin. | | |
| | 0x3 → FALL: Counter advances with each falling edge of the PWM B pin. | | |
| 3 | B_INV: Invert output B | RW | 0x0 |
| 2 | A_INV: Invert output A | RW | 0x0 |
| 1 | PH_CORRECT: 1: Enable phase-correct modulation. 0: Trailing-edge | RW | 0x0 |
| 0 | EN: Enable the PWM channel. | RW | 0x0 |

PWM: CH0_DIV, CH1_DIV, ..., CH10_DIV, CH11_DIV Registers

Offsets: 0x004, 0x018, ..., 0x0cc, 0x0e0

Description

INT and FRAC form a fixed-point fractional number.

Counting rate is system clock frequency divided by this number.

Fractional division uses simple 1st-order sigma-delta.

Table 1133. CH0_DIV, CH1_DIV, ..., CH10_DIV, CH11_DIV Registers

| Bits | Description | Type | Reset |
|-------|-------------|------|-------|
| 31:12 | Reserved. | - | - |
| 11:4 | INT | RW | 0x01 |
| 3:0 | FRAC | RW | 0x0 |

PWM: CH0_CTR, CH1_CTR, ..., CH10_CTR, CH11_CTR Registers

Offsets: 0x008, 0x01c, ..., 0x0d0, 0x0e4

Table 1134. CH0_CTR, CH1_CTR, ..., CH10_CTR, CH11_CTR Registers

| Bits | Description | Type | Reset |
|-------|----------------------------------|------|--------|
| 31:16 | Reserved. | - | - |
| 15:0 | Direct access to the PWM counter | RW | 0x0000 |

PWM: CH0_CC, CH1_CC, ..., CH10_CC, CH11_CC Registers

Offsets: 0x00c, 0x020, ..., 0x0d4, 0x0e8

Description

Counter compare values

Table 1135. CH0_CC, CH1_CC, ..., CH10_CC, CH11_CC Registers

| Bits | Description | Type | Reset |
|-------|-------------|------|--------|
| 31:16 | B | RW | 0x0000 |
| 15:0 | A | RW | 0x0000 |

PWM: CH0_TOP, CH1_TOP, ..., CH10_TOP, CH11_TOP Registers

Offsets: 0x010, 0x024, ..., 0x0d8, 0x0ec

Table 1136. CH0_TOP, CH1_TOP, ..., CH10_TOP, CH11_TOP Registers

| Bits | Description | Type | Reset |
|-------|--------------------|------|--------|
| 31:16 | Reserved. | - | - |
| 15:0 | Counter wrap value | RW | 0xffff |

PWM: EN Register

Offset: 0x0f0

Description

This register aliases the CSR_EN bits for all channels. Writing to this register allows multiple channels to be enabled or disabled simultaneously, so they can run in perfect sync. For each channel, there is only one physical EN register bit, which can be accessed through here or CHx_CSR.

Table 1137. EN Register

| Bits | Description | Type | Reset |
|-------|-------------|------|-------|
| 31:12 | Reserved. | - | - |
| 11 | CH11 | RW | 0x0 |
| 10 | CH10 | RW | 0x0 |
| 9 | CH9 | RW | 0x0 |
| 8 | CH8 | RW | 0x0 |
| 7 | CH7 | RW | 0x0 |
| 6 | CH6 | RW | 0x0 |
| 5 | CH5 | RW | 0x0 |
| 4 | CH4 | RW | 0x0 |
| 3 | CH3 | RW | 0x0 |
| 2 | CH2 | RW | 0x0 |
| 1 | CH1 | RW | 0x0 |

| Bits | Description | Type | Reset |
|------|-------------|------|-------|
| 0 | CH0 | RW | 0x0 |

PWM: INTR Register

Offset: 0x0f4

Description

Raw Interrupts

Table 1138. INTR Register

| Bits | Description | Type | Reset |
|-------|-------------|------|-------|
| 31:12 | Reserved. | - | - |
| 11 | CH11 | WC | 0x0 |
| 10 | CH10 | WC | 0x0 |
| 9 | CH9 | WC | 0x0 |
| 8 | CH8 | WC | 0x0 |
| 7 | CH7 | WC | 0x0 |
| 6 | CH6 | WC | 0x0 |
| 5 | CH5 | WC | 0x0 |
| 4 | CH4 | WC | 0x0 |
| 3 | CH3 | WC | 0x0 |
| 2 | CH2 | WC | 0x0 |
| 1 | CH1 | WC | 0x0 |
| 0 | CH0 | WC | 0x0 |

PWM: IRQ0_INTE Register

Offset: 0x0f8

Description

Interrupt Enable for irq0

Table 1139. IRQ0_INTE Register

| Bits | Description | Type | Reset |
|-------|-------------|------|-------|
| 31:12 | Reserved. | - | - |
| 11 | CH11 | RW | 0x0 |
| 10 | CH10 | RW | 0x0 |
| 9 | CH9 | RW | 0x0 |
| 8 | CH8 | RW | 0x0 |
| 7 | CH7 | RW | 0x0 |
| 6 | CH6 | RW | 0x0 |
| 5 | CH5 | RW | 0x0 |
| 4 | CH4 | RW | 0x0 |
| 3 | CH3 | RW | 0x0 |
| 2 | CH2 | RW | 0x0 |

| Bits | Description | Type | Reset |
|------|-------------|------|-------|
| 1 | CH1 | RW | 0x0 |
| 0 | CH0 | RW | 0x0 |

PWM: IRQ0_INTF Register

Offset: 0x0fc

Description

Interrupt Force for irq0

Table 1140.
IRQ0_INTF Register

| Bits | Description | Type | Reset |
|-------|-------------|------|-------|
| 31:12 | Reserved. | - | - |
| 11 | CH11 | RW | 0x0 |
| 10 | CH10 | RW | 0x0 |
| 9 | CH9 | RW | 0x0 |
| 8 | CH8 | RW | 0x0 |
| 7 | CH7 | RW | 0x0 |
| 6 | CH6 | RW | 0x0 |
| 5 | CH5 | RW | 0x0 |
| 4 | CH4 | RW | 0x0 |
| 3 | CH3 | RW | 0x0 |
| 2 | CH2 | RW | 0x0 |
| 1 | CH1 | RW | 0x0 |
| 0 | CH0 | RW | 0x0 |

PWM: IRQ0_INTS Register

Offset: 0x100

Description

Interrupt status after masking & forcing for irq0

Table 1141.
IRQ0_INTS Register

| Bits | Description | Type | Reset |
|-------|-------------|------|-------|
| 31:12 | Reserved. | - | - |
| 11 | CH11 | RO | 0x0 |
| 10 | CH10 | RO | 0x0 |
| 9 | CH9 | RO | 0x0 |
| 8 | CH8 | RO | 0x0 |
| 7 | CH7 | RO | 0x0 |
| 6 | CH6 | RO | 0x0 |
| 5 | CH5 | RO | 0x0 |
| 4 | CH4 | RO | 0x0 |
| 3 | CH3 | RO | 0x0 |

| Bits | Description | Type | Reset |
|------|-------------|------|-------|
| 2 | CH2 | RO | 0x0 |
| 1 | CH1 | RO | 0x0 |
| 0 | CH0 | RO | 0x0 |

PWM: IRQ1_INTE Register

Offset: 0x104

Description

Interrupt Enable for irq1

Table 1142.
IRQ1_INTE Register

| Bits | Description | Type | Reset |
|-------|-------------|------|-------|
| 31:12 | Reserved. | - | - |
| 11 | CH11 | RW | 0x0 |
| 10 | CH10 | RW | 0x0 |
| 9 | CH9 | RW | 0x0 |
| 8 | CH8 | RW | 0x0 |
| 7 | CH7 | RW | 0x0 |
| 6 | CH6 | RW | 0x0 |
| 5 | CH5 | RW | 0x0 |
| 4 | CH4 | RW | 0x0 |
| 3 | CH3 | RW | 0x0 |
| 2 | CH2 | RW | 0x0 |
| 1 | CH1 | RW | 0x0 |
| 0 | CH0 | RW | 0x0 |

PWM: IRQ1_INTF Register

Offset: 0x108

Description

Interrupt Force for irq1

Table 1143.
IRQ1_INTF Register

| Bits | Description | Type | Reset |
|-------|-------------|------|-------|
| 31:12 | Reserved. | - | - |
| 11 | CH11 | RW | 0x0 |
| 10 | CH10 | RW | 0x0 |
| 9 | CH9 | RW | 0x0 |
| 8 | CH8 | RW | 0x0 |
| 7 | CH7 | RW | 0x0 |
| 6 | CH6 | RW | 0x0 |
| 5 | CH5 | RW | 0x0 |
| 4 | CH4 | RW | 0x0 |

| Bits | Description | Type | Reset |
|------|-------------|------|-------|
| 3 | CH3 | RW | 0x0 |
| 2 | CH2 | RW | 0x0 |
| 1 | CH1 | RW | 0x0 |
| 0 | CH0 | RW | 0x0 |

PWM: IRQ1_INTS Register

Offset: 0x10c

Description

Interrupt status after masking & forcing for irq1

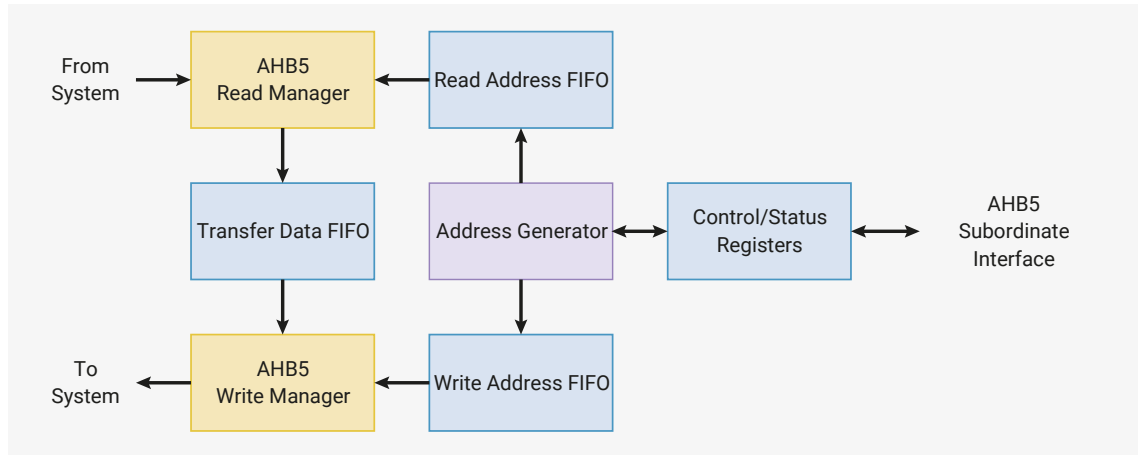
Table 1144.
IRQ1_INTS Register

| Bits | Description | Type | Reset |
|-------|-------------|------|-------|
| 31:12 | Reserved. | - | - |
| 11 | CH11 | RO | 0x0 |
| 10 | CH10 | RO | 0x0 |
| 9 | CH9 | RO | 0x0 |
| 8 | CH8 | RO | 0x0 |
| 7 | CH7 | RO | 0x0 |
| 6 | CH6 | RO | 0x0 |
| 5 | CH5 | RO | 0x0 |
| 4 | CH4 | RO | 0x0 |
| 3 | CH3 | RO | 0x0 |
| 2 | CH2 | RO | 0x0 |
| 1 | CH1 | RO | 0x0 |
| 0 | CH0 | RO | 0x0 |

12.6. DMA

The RP2350 Direct Memory Access (DMA) controller performs bulk data transfers on a processor's behalf. This leaves processors free to attend to other tasks or enter low-power sleep states. The DMA dual bus manager ports can issue one read and one write access per cycle. The data throughput is therefore far greater than one of RP2350's processors.

Figure 122. DMA Architecture Overview. The read manager can read data from some address every clock cycle. Likewise, the write manager can write to another address. The address generator produces matched pairs of read and write addresses, which the managers consume through the address FIFOs. The DMA can run up to 16 transfer sequences simultaneously, supervised by software via the control and status registers.



The DMA can perform one read access and one write access, up to 32 bits in size, every clock cycle. There are 16 independent channels, each of which supervises a sequence of bus transfers in one of the following scenarios:

Memory-to-peripheral

a peripheral signals the DMA when it needs more data to transmit. The DMA reads data from an array in RAM or flash, and writes to the peripheral's data FIFO.

Peripheral-to-memory

a peripheral signals the DMA when it has received data. The DMA reads this data from the peripheral's data FIFO, and writes it to an array in RAM.

Memory-to-memory

the DMA transfers data between two buffers in RAM, as fast as possible.

Each channel has its own control and status registers (CSRs) that software can use to program and monitor the channel's progress. When multiple channels are active at the same time, the DMA shares bandwidth evenly between the channels, with round-robin over all channels that are currently requesting data transfers.

The transfer size can be either 32, 16, or 8 bits. This is configured once for each channel: source transfer size and destination transfer size are the same. The DMA performs byte lane replication on narrow writes, so byte data is available in all 4 bytes of the databus, and halfword data in both halfwords.

Channels can be combined in varied ways for more sophisticated behaviour and greater autonomy. For example, one channel can configure another, loading configuration data from a sequence of control blocks in memory, and the second can then call back to the first via the `CHAIN_TO` option when it needs to be reconfigured.

Making the DMA more autonomous means that much less processor supervision is required: overall this allows the system to do more at once, or to dissipate less power.

12.6.1. Changes from RP2040

The following new features have been added:

- Increased the number of DMA channels from 12 to 16.
- Increased the number of shared IRQ outputs from 2 to 4.
- Channels can be assigned to security domains using `SECCFG_CH0` through `SECCFG_CH15`.
- The DMA now filters bus accesses using the built-in memory protection unit (Section 12.6.6.3).
- Interrupts can be assigned to security domains using `SECCFG_IRQ0` through `SECCFG_IRQ3`.
- Pacing timers and the CRC sniffer can be assigned to security domains using the `SECCFG_MISC` register.
- The four most-significant bits of `TRANS_COUNT` (`CH0_TRANS_COUNT`) are redefined as the `MODE` field, which defines what happens when `TRANS_COUNT` reaches zero:

- This backward-incompatible change reduces the maximum transfers in one sequence from $2^{32}-1$ to $2^{28}-1$.
- Mode `0x0` has the same behaviour as RP2040, so there is no need to modify software that performs less than 256 million transfers at a time.
- Mode `0x1`, "trigger self", allows a channel to automatically restart itself after finishing a transfer sequence, in addition to the usual end-of-sequence actions like raising an interrupt or triggering other channels. This can be used for example to get periodic interrupts from streaming ring buffer transfers.
- Mode `0xf`, "endless", allows a channel to run forever: `TRANS_COUNT` does not decrement.
- New `CHO_CTRL_TRIG.INCR_READ_REV` and `CHO_CTRL_TRIG.INCR_WRITE_REV` fields allow addresses to decrement rather than increment, or to increment by two.
 - Some existing fields in the `CTRL` registers, such as `CHO_CTRL_TRIG.BUSY`, have moved to accommodate the new fields.

Some existing behaviour has been refined:

- The logic that adjusts values read from `WRITE_ADDR` and `READ_ADDR` according to the number of in-flight transfers is disabled for address-wrapping and non-incrementing transfers (erratum RP2040-E12).
- You can now poll the `ABORT` register to wait for completion of an aborted channel (erratum RP2040-E13).
- DMA completion actions such as `CHAIN_TO` are now strictly ordered against the last write completion, so a `CHAIN_TO` on a channel whose registers you write to is a well-defined operation.
 - This enables the use of control blocks that don't include one of the four trigger register aliases.
 - Previously, a channel was considered to complete on the *first* cycle of its last write's data phase. Now, a channel is considered to complete on the *last* cycle of its last write's data phase. This is usually the same cycle, but it can be later when the DMA encounters a write data-phase bus stall.
- Previously, the DMA's internal arbitration logic inserted an idle cycle after completing a round of active high-priority channels (`CHO_CTRL_TRIG.HIGH_PRIORITY`), even if there were no active low-priority requests. This reduced DMA throughput when lightly loaded. This idle cycle has been removed, eliminating lost throughput.
- IRQ assertion latency has been reduced by one cycle.

12.6.2. Configuring channels

Each channel has four control/status registers:

- `READ_ADDR` (`CHO_READ_ADDR`) is the address of the next memory location to read.
- `WRITE_ADDR` (`CHO_WRITE_ADDR`) is the address of the next memory location to write.
- `TRANS_COUNT` (`CHO_TRANS_COUNT`) shows the number of transfers remaining in the current transfer sequence and programs the number of transfers in the next transfer sequence (see [Section 12.6.2.2](#)).
- `CTRL` (`CHO_CTRL_TRIG`) configures all other aspects of the channel's behaviour, enables/disables the channel, and provides completion status.

To directly instruct the DMA channel to perform a data transfer, software writes to these four registers, and then triggers the channel ([Section 12.6.3](#)). To make the DMA more autonomous, you can also program one DMA channel to write to another channel's configuration registers, queueing up many transfer sequences in advance.

All four are live registers; they update their status continuously as the channel progresses.

12.6.2.1. Read and write addresses

`READ_ADDR` and `WRITE_ADDR` contain the address the channel will next read from, and write to, respectively. These registers update automatically after each read/write access, incrementing to the next read/write address as required. The size of the increment varies according to:

- the transfer size: 1, 2 or 4 byte bus accesses as per `CHO_CTRL_TRIG.DATA_SIZE`
- the increment enable for each address register: `CHO_CTRL_TRIG.INCR_READ` and `CHO_CTRL_TRIG.INCR_WRITE`
- the increment direction: `CHO_CTRL_TRIG.INCR_READ_REV` and `CHO_CTRL_TRIG.INCR_WRITE_REV`

Software should generally program these registers with new start addresses each time a new transfer sequence starts. If `READ_ADDR` and `WRITE_ADDR` are not reprogrammed, the DMA will use the current values as start addresses for the next transfer. For example:

- If the address does not increment (e.g. it is the address of a peripheral FIFO), and the next transfer sequence is to/from that *same* address, there is no need to write to the register again.
- When transferring to/from a consecutive series of buffers in memory (e.g. scattering and gathering), an address register will already have incremented to the start of the next buffer at the completion of a transfer.

By not programming all four CSRs for each transfer sequence, software can use shorter interrupt handlers, and more compact control block formats when used with channel chaining (see register aliases in [Section 12.6.3.1](#), chaining in [Section 12.6.3.2](#)).

12.6.2.1.1. Address alignment

`READ_ADDR` and `WRITE_ADDR` must be aligned to the transfer size, specified in `CHO_CTRL_TRIG.DATA_SIZE`. For 32-bit transfers, the address must be a multiple of four, and for 16-bit transfers, the address must be a multiple of two. Software is responsible for correctly aligning addresses written to `READ_ADDR` and `WRITE_ADDR`: the DMA does not enforce alignment.

If software initially writes a correctly aligned address, the address will remain correctly aligned throughout the transfer sequence, because the DMA always increments `READ_ADDR` and `WRITE_ADDR` by a multiple of the transfer size. Specifically, it increments by transfer size times -1, 0, 1 or 2, depending on the values of `CHO_CTRL_TRIG.INCR_READ`, `CHO_CTRL_TRIG.INCR_WRITE`, `CHO_CTRL_TRIG.INCR_READ_REV` and `CHO_CTRL_TRIG.INCR_WRITE_REV`.

The DMA MPU and system-level bus security filters perform protection checks on the lowest byte address of all bytes transferred on a given cycle (i.e. to the present value of `READ_ADDR/WRITE_ADDR`). RP2350 memory hardware ensures unaligned bus accesses do not cause data to be read/written from the other side of a protection boundary. This means that unaligned access can not be used to violate the memory protection model. Other than this, the result of an unaligned access is unspecified.

12.6.2.2. Transfer count

Reading `TRANS_COUNT` (`CHO_TRANS_COUNT`) returns the number of transfers remaining in the current transfer sequence. This value updates continuously as the channel progresses. Writing to `TRANS_COUNT` sets the length of the *next* transfer sequence. Up to $2^{28}-1$ transfers can be performed in one sequence (`0xffffffff`, approximately 256 million).

Each time the channel starts a new transfer sequence, the most recent value written to `TRANS_COUNT` is copied to the live transfer counter, which will then start to decrement again as the new transfer sequence makes progress. For debugging purposes, the `DBG_TCR` (`TRANS_COUNT` reload value) registers display the last value written to each channel's `TRANS_COUNT`.

If the channel is triggered multiple times without intervening writes to `TRANS_COUNT`, it performs the same number of transfers each time. For example, when chained to, one channel might load a fixed-size control block into another channel's CSRs. `TRANS_COUNT` would be programmed once by software, and then reload automatically every time.

Alternatively, `TRANS_COUNT` can be written with a new value before starting each transfer sequence. If `TRANS_COUNT` is the channel trigger (see [Section 12.6.3.1](#)), the channel will start immediately, and the value just written will be used, *not* the value currently in the reload register.

i NOTE

The `TRANS_COUNT` is the number of *transfers* to be performed. The total number of bytes transferred is `TRANS_COUNT` times the size of each transfer in bytes, given by `CTRL.DATA_SIZE`.

12.6.2.2.1. Count modes

The four most-significant bits of `TRANS_COUNT` contain the `MODE` field (`CHO_TRANS_COUNT.MODE`), which modifies the counting behaviour of `TRANS_COUNT`. Mode `0x0` is the default: `TRANS_COUNT` decrements once for every bus transfer, and the channel halts once `TRANS_COUNT` reaches zero and all in-flight transfers have finished. The value of `0x0` is chosen for backward-compatibility with RP2040 software, which expects the `TRANS_COUNT` register to contain a 32-bit count rather than a 4-bit mode and a 28-bit count. There are few use cases for a *finite* number of transfers greater than 2^{28} , which is why the four most-significant bits have been reallocated for use with endless transfers.

Mode `0x1`, `TRIGGER_SELF`, behaves the same as mode `0x0`, except that rather than halting upon completion, the channel immediately re-triggers itself. This is equivalent to a trigger performed by any other mechanism (Section 12.6.3): `TRANS_COUNT` is reloaded, and the channel resumes from the current `READ_ADDR` and `WRITE_ADDR` addresses. A completion interrupt is still raised (if `CTRL.IRQ_QUIET` is not set) and the specified `CHAIN_TO` operation is still performed. The main use for this mode is streaming through SRAM ring buffers, where some action is required at regular intervals, for example requesting the processor to refill an audio buffer once it is half-empty.

Mode `0xf`, `ENDLESS`, disables the decrement of `TRANS_COUNT`. This means a channel will generally run indefinitely without pause, though triggering a channel with a mode of `0xf` and a count of `0x0` will result in the channel halting immediately.

All other values are reserved for future use and their effect is unspecified.

12.6.2.3. Control/Status

The `CTRL` register (`CHO_CTRL_TRIG`) has more, smaller fields than the other 3 registers. Among other things, `CTRL` is used to:

- Configure the size of this channel's data transfers through the `DATA_SIZE` field. Reads are always the same size as writes.
- Configure if and how `READ_ADDR` and `WRITE_ADDR` increment after each read or write through the `INCR_READ`, `INCR_READ_REV`, `INCR_WRITE`, `INCR_WRITE_REV`, `RING_SEL`, and `RING_SIZE` fields. Ring transfers are available, where one of the address pointers wraps at some power-of-2 boundary.
- Select another channel (or none) to trigger when this channel completes through the `CHAIN_TO` field.
- Select a peripheral data request (DREQ) signal to pace this channel's transfers, via the `TREQ_SEL` field.
- See when the channel is idle, using the `BUSY` flag.
- See if the channel has encountered a bus error in the `READ_ERROR` and `WRITE_ERROR` flags, or the combined error status in the `AHB_ERROR` flag.

12.6.3. Triggering channels

After a channel has been correctly configured, you must trigger it. This instructs the channel to begin scheduling bus accesses, either paced by a peripheral data request signal (DREQ) or as fast as possible. The following events can trigger a channel:

- A write to a channel trigger register.
- Completion of another channel whose `CHAIN_TO` points to this channel.
- A write to the `MULTI_CHAN_TRIGGER` register (can trigger multiple channels at once).

Each trigger mechanism covers different use cases. For example, trigger registers are simple and efficient when

configuring and starting a channel in an interrupt service routine because the channel is triggered by the last configuration write. `CHAIN_TO` allows one channel to callback to another channel, which can then reconfigure the first channel. `MULTI_CHAN_TRIGGER` allows software to simply start a channel without touching any of its configuration registers.

When triggered, the channel sets its `CTRL.BUSY` flag to indicate it is actively scheduling transfers. This remains set until the transfer count reaches zero, or the channel is aborted via the `CHAN_ABORT` register (Section 12.6.8.3).

When a channel is already running, indicated by `BUSY = 1`, it ignores additional triggers. A channel that is disabled (`CTRL.EN` is clear) also ignores triggers.

12.6.3.1. Aliases and triggers

Table 1145. Control register aliases. Each channel has four control/status registers. Each register can be accessed at multiple different addresses. In each naturally-aligned group of four, all four registers appear, in different orders.

| Offset | +0x0 | +0x4 | +0x8 | +0xc (Trigger) |
|----------------|-----------|-------------|-------------|------------------|
| 0x00 (Alias 0) | READ_ADDR | WRITE_ADDR | TRANS_COUNT | CTRL_TRIG |
| 0x10 (Alias 1) | CTRL | READ_ADDR | WRITE_ADDR | TRANS_COUNT_TRIG |
| 0x20 (Alias 2) | CTRL | TRANS_COUNT | READ_ADDR | WRITE_ADDR_TRIG |
| 0x30 (Alias 3) | CTRL | WRITE_ADDR | TRANS_COUNT | READ_ADDR_TRIG |

The four CSRs are aliased multiple times in memory. Each of the four aliases exposes the same four physical registers, but in a different order. The final register in each alias (at offset +0xc, highlighted) is a trigger register. Writing to the trigger register starts the channel.

Often, only alias 0 is used, and aliases 1 through 3 can be ignored. To configure and start the channel, write `READ_ADDR`, `WRITE_ADDR`, `TRANS_COUNT`, and finally `CTRL`. Since `CTRL` is the trigger register in alias 0, this starts the channel.

The other aliases allow more compact control block lists when using one channel to configure another, and more efficient reconfiguration and launch in interrupt handlers:

- Each CSR is a trigger register in one of the aliases:
 - When gathering fixed-size buffers into a peripheral, the DMA channel can be configured and launched by writing only `READ_ADDR_TRIG`.
 - When scattering from a peripheral to fixed-size buffers, the channel can be configured and launched by writing only `WRITE_ADDR_TRIG`.
- Useful combinations of registers appear as naturally-aligned tuples which contain a trigger register. In conjunction with channel chaining and address wrapping, these implement compressed control block formats, e.g.:
 - (`WRITE_ADDR`, `TRANS_COUNT_TRIG`) for peripheral scatter operations
 - (`TRANS_COUNT`, `READ_ADDR_TRIG`) for peripheral gather operations, or calculating CRCs on a list of buffers
 - (`READ_ADDR`, `WRITE_ADDR_TRIG`) for manipulating fixed-size buffers in memory

Trigger registers do not start the channel if:

- The channel is disabled via `CTRL.EN` (if the trigger is `CTRL`, the just-written value of `EN` is used, *not* the value currently in the `CTRL` register)
- The channel is already running
- The value 0 is written to the trigger register (useful for ending control block chains, see null triggers (Section 12.6.3.3))
- The bus access has a security level lower than the channel’s security level (Section 12.6.6.1)

12.6.3.2. Chaining

When a channel completes, it can name a different channel to immediately be triggered. This can be used as a callback for the second channel to reconfigure and restart the first.

This feature is configured through the `CHAIN_TO` field in the channel `CTRL` register. This 4-bit value selects a channel that will start when this one finishes. A channel cannot chain to itself. Setting `CHAIN_TO` to a channel's own index prevents chaining.

Chain triggers behave the same as triggers from other sources, such as trigger registers. For example, they cause `TRANS_COUNT` to reload, and they are ignored if the targeted channel is already running.

One application for `CHAIN_TO` is for a channel to request reconfiguration by another channel from a sequence of control blocks in memory. Channel A is configured to perform a wrapped transfer from memory to channel B's control registers (including a trigger register), and channel B is configured to chain back to channel A when it completes each transfer sequence. This is shown explicitly in the DMA control blocks example (Section 12.6.9.2).

Use of the register aliases (Section 12.6.3.1) enables compact formats for DMA control blocks: as little as one word, in some cases.

Another use of chaining is a *ping-pong* configuration, where two channels each trigger one another. The processor can respond to the channel completion interrupts and reconfigure each channel after it completes. However, the chained channel, which has already been configured, starts immediately. In other words, channel configuration and channel operation are pipelined. This can improve performance dramatically when a usage pattern requires many short transfer sequences.

The Section 12.6.9 goes into more detail on the possibilities of chain triggers in the real world.

12.6.3.3. Null triggers and chain interrupts

As mentioned in Section 12.6.3.1, writing all-zeroes to a trigger register does *not* start the channel. This is called a null trigger, and it has two purposes:

- Cause a halt at the end of an array of control blocks, by appending an all-zeroes block.
- Reduce the number of interrupts generated when using control blocks.

By default, channels generate an interrupt each time they finish a transfer sequence, unless that channel's IRQ is masked in `INTE0` through `INTE3`. The rate of interrupts can be excessive, particularly as processor attention is generally not required while a sequence of control blocks are in progress. However, processor attention is required at the end of a chain.

The channel `CTRL` register has a field called `IRQ_QUIET`. Its default value is 0. When this set to 1, channels generate an interrupt when they receive a null trigger, but not on normal completion of a transfer sequence. The interrupt is generated by the channel that receives the trigger.

12.6.4. Data request (DREQ)

Peripherals produce or consume data at their own pace. If the DMA transferred data as fast as possible, loss or corruption of data would ensue. DREQs are a communication channel between peripherals and the DMA that enables the DMA to pace transfers according to the needs of the peripheral.

The `CTRL.TREQ_SEL` (transfer request) field selects an external DREQ. It can also be used to select one of the internal pacing timers, or select no TREQ at all (the transfer proceeds as fast as possible), e.g. for memory-to-memory transfers.

12.6.4.1. System DREQ table

DREQ numbers use the following global assignment to peripheral DREQ channels:

Table 1146. DREQs

| DREQ | DREQ Channel | DREQ | DREQ Channel | DREQ | DREQ Channel | DREQ | DREQ Channel |
|------|---------------|------|---------------|------|----------------|------|-----------------|
| 0 | DREQ_PIO0_TX0 | 14 | DREQ_PIO1_RX2 | 28 | DREQ_UART0_TX | 42 | DREQ_PWM_WRAP10 |
| 1 | DREQ_PIO0_TX1 | 15 | DREQ_PIO1_RX3 | 29 | DREQ_UART0_RX | 43 | DREQ_PWM_WRAP11 |
| 2 | DREQ_PIO0_TX2 | 16 | DREQ_PIO2_TX0 | 30 | DREQ_UART1_TX | 44 | DREQ_I2C0_TX |
| 3 | DREQ_PIO0_TX3 | 17 | DREQ_PIO2_TX1 | 31 | DREQ_UART1_RX | 45 | DREQ_I2C0_RX |
| 4 | DREQ_PIO0_RX0 | 18 | DREQ_PIO2_TX2 | 32 | DREQ_PWM_WRAP0 | 46 | DREQ_I2C1_TX |
| 5 | DREQ_PIO0_RX1 | 19 | DREQ_PIO2_TX3 | 33 | DREQ_PWM_WRAP1 | 47 | DREQ_I2C1_RX |
| 6 | DREQ_PIO0_RX2 | 20 | DREQ_PIO2_RX0 | 34 | DREQ_PWM_WRAP2 | 48 | DREQ_ADC |
| 7 | DREQ_PIO0_RX3 | 21 | DREQ_PIO2_RX1 | 35 | DREQ_PWM_WRAP3 | 49 | DREQ_XIP_STREAM |
| 8 | DREQ_PIO1_TX0 | 22 | DREQ_PIO2_RX2 | 36 | DREQ_PWM_WRAP4 | 50 | DREQ_XIP_QMITX |
| 9 | DREQ_PIO1_TX1 | 23 | DREQ_PIO2_RX3 | 37 | DREQ_PWM_WRAP5 | 51 | DREQ_XIP_QMIRX |
| 10 | DREQ_PIO1_TX2 | 24 | DREQ_SPI0_TX | 38 | DREQ_PWM_WRAP6 | 52 | DREQ_HSTX |
| 11 | DREQ_PIO1_TX3 | 25 | DREQ_SPI0_RX | 39 | DREQ_PWM_WRAP7 | 53 | DREQ_CORESIGHT |
| 12 | DREQ_PIO1_RX0 | 26 | DREQ_SPI1_TX | 40 | DREQ_PWM_WRAP8 | 54 | DREQ_SHA256 |
| 13 | DREQ_PIO1_RX1 | 27 | DREQ_SPI1_RX | 41 | DREQ_PWM_WRAP9 | | |

12.6.4.2. Credit-based DREQ Scheme

The RP2350 DMA is designed for systems where:

- The area and power cost of large peripheral data FIFOs is prohibitive.
- The bandwidth demands of individual peripherals can be high, for example, >50% bus injection rate for short periods.
- Bus latency is low, but multiple managers can compete for bus access.

In addition, the DMA’s transfer FIFOs and dual-manager-port structure permit multiple accesses to the same peripheral to be in-flight at once to improve throughput. Choice of DREQ mechanism is therefore critical:

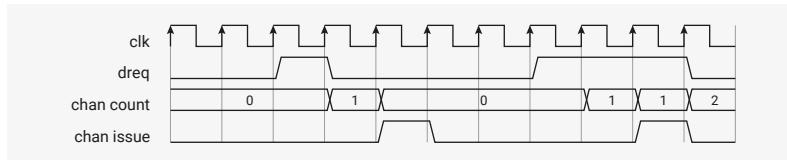
- The traditional “turn on the tap” method can cause overflow if multiple writes are backed up in the TDF. Some systems solve this by over-provisioning peripheral FIFOs and setting the DREQ threshold below the full level at the expense of precious area and power.
- The Arm-style single and burst handshake does not permit additional requests to be registered while the current request is being served. This limits performance when FIFOs are very shallow.

The RP2350 DMA uses a credit-based DREQ mechanism. For each peripheral, the DMA attempts to keep as many transfers in-flight as the peripheral has capacity for. This enables full bus throughput (1 word per clock) through an 8-deep peripheral FIFO with no possibility of overflow or underflow in the absence of fabric latency or contention.

For each channel, the DMA maintains a counter. Each 1-clock pulse on the `dreq` signal increments this counter. When non-zero, the channel requests a transfer from the DMA’s internal arbiter. The counter decrements when the transfer is issued to the address FIFOs. At this point the transfer is in flight, but has not yet necessarily completed.

The counter is saturating, and six bits in size. The counter ignores increments at the maximum value or decrements at zero. The six-bit counter size supports counts up to the depth of any FIFO on RP2350.

Figure 123. DREQ counting



The effect is to upper bound the number of in-flight transfers based on the amount of room or data available in the peripheral FIFO. In the steady state, this gives maximum throughput, but can't underflow or underflow. This approach has the following caveats:

- The user *must not* access a FIFO currently being serviced by the DMA. This causes the channel and peripheral to become desynchronised, and can cause corruption or loss of data.
- Multiple channels *must not* be connected to the same DREQ.

12.6.5. Interrupts

Each channel can generate interrupts; these can be masked on a per-channel basis using one of the four identical interrupt enable registers, **INTE0** through **INTE3**. There are three circumstances where a channel raises an interrupt request:

- On the completion of each transfer sequence, if **CTRL.IRQ_QUIET** is disabled
- On receiving a null trigger, if **CTRL.IRQ_QUIET** is enabled
- On a read or write bus error

The masked interrupt status is visible in the **INTS** registers; there is one bit for each channel. Interrupts are cleared by writing a bit mask to **INTS**. One idiom for acknowledging interrupts is to read **INTS**, then write the same value back, so only enabled interrupts are cleared.

The RP2350 DMA provides four system IRQs, with independent masking and status registers (e.g. **INTE0**, **INTE1**). Any combination of channel interrupt requests can be routed to each system IRQ, though generally software only routes each channel interrupt to a single system IRQ. For example:

- Some channels can be given a higher priority in the system interrupt controller, if they have particularly tight timing requirements.
- In multiprocessor systems, different channel interrupts can be routed independently to different cores.
- When channels are assigned to a mixture of security domains, IRQs can also be assigned, so that software in each security domain can get interrupts from its own channels.

For debugging purposes, the **INTF** registers can force any channel interrupt to be asserted, which will cause assertion of any system IRQs that have that channel interrupt's enable bit set in their respective **INTE** registers.

12.6.6. Security

RP2350's processors support partitioning of memory and peripherals into multiple security domains. This partitioning is extended into the DMA, so that different security contexts can safely use their assigned channels without breaking any of the security invariants laid out by the processor security model. For example, an Arm processor in the Non-secure state must not be able to use the DMA to access memory or peripherals owned by Secure software.

The DMA defines four **security levels** that map onto Arm or RISC-V processor security states:

- **3**: SP (secure and privileged)
 - Equivalent to Arm processors in the Secure, Privileged state
 - Equivalent to RISC-V processors in Machine mode
- **2**: SU (secure and unprivileged)

- Equivalent to Arm processors in the Secure, Normal state
- 1: NSP (nonsecure and privileged)
 - Equivalent to Arm processors in the Non-secure, Privileged state
 - Equivalent to RISC-V processors in Supervisor mode
- 0: NSU (nonsecure and unprivileged)
 - Equivalent to Arm processors in the Non-secure, Normal state
 - Equivalent to RISC-V processors in User mode

So that the DMA can compare different security levels in a consistent way, they are considered ordered, with SP > SU > NSP > NSU. For example, when we say that a channel requires a *minimum* of SU to access its registers, this means that SP and SU are acceptable, and NSP and NSU are not. As a rule, every action has a reaction that is *at or below* the security level of the original action, and so the DMA can not be used to escalate accesses to a higher security level.

Software assigns internal DMA resources, like channels, interrupts, pacing timers and the CRC sniffer, to one of the four possible security levels. These resources are then accessible only at and above that level. Channel assignment in particular is discussed in [Section 12.6.6.1](#).

The DMA memory protection unit ([Section 12.6.6.3](#)) defines the minimum security level required to access up to eight programmable address ranges, so that channels of a given security level can not access memory beyond their means. This MPU is intended to mirror the SRAM and XIP memory protection boundaries configured in the processor SAU or PMP. In addition to the internal filtering performed by the DMA MPU, accesses are filtered by the system bus according to the ACCESSCTRL filter rules described in [Section 10.6.2](#).

The combination of these features allows the DMA to be safely shared by software running in different security domains. If this is not desired, the entire DMA block can instead be assigned wholesale to a single security domain using the ACCESSCTRL [DMA](#) register.

12.6.6.1. Channel security assignment

Channels are assigned to security domains using the channel [SECCFG](#) registers, [SECCFG_CHO](#) through [SECCFG_CH15](#). There is one register per channel. Each register contains a 2-bit security level, and a lock bit that prevents that [SECCFG](#) register from being changed once configured. At reset, all channels are assigned to the SP security level, which is the highest.

The security level of a channel defines:

- The security level of bus transfers performed by this channel, which is checked against both the DMA memory protection unit and the ACCESSCTRL bus-level filters described in [Section 10.6.2](#).
- The minimum security level required to read or write this channel's registers; access from a lower level returns a bus fault.
- The minimum security level that must be defined on a shared IRQ line for that IRQ to be able to observe this channel's interrupts ([Section 12.6.6.2](#)), or for this channel's interrupt to be set/cleared through that IRQ's registers.
- The minimum bus security level required to clear this channel's interrupts through the [INTR](#) register.
- Which DREQs a channel can observe: channels assigned to the NSP or NSU security levels can not observe DREQs of Secure-only peripherals (as defined by the ACCESSCTRL peripheral configuration).
- Which pacing timer TREQs can be observed; pacing timer security levels are configured by [SECCFG_MISC](#) and must be no higher than the channel security level for the channel in order to observe the TREQ.
- Whether the channel is visible to the CRC sniffer; the sniffer's security level is configured by [SECCFG_MISC](#) and must be no lower than the observed channel's security level.
- Which channels this channel can trigger with a [CHAIN_TO](#); chaining from lower to higher security levels is not permitted.

- The minimum bus security level required to trigger this channel with a write to [MULTI_CHAN_TRIGGER](#).

The channel [SECCFG](#) registers require privileged writes (SP/NSP), and will generate a bus fault on an attempted unprivileged write (SU/NSU). Additionally, the [S](#) bit (MSB of the security level) and the [LOCK](#) bit are writable only by SP, whilst the [P](#) bit (LSB of the security level) is also writable by NSP, if and only if the [S](#) bit is clear. Reads are always allowed: it is always possible to query which channels are assigned to you by reading the channel [SECCFG](#) registers.

Each channel [SECCFG](#) register can be locked manually by writing a one to the [LOCK](#) bit in that register, and will also lock automatically upon a successful write to one of the channel's control registers such as [CHO_CTRL_TRIG](#). This automatic locking avoids any race conditions that can arise from a channel's security level changing after it has already started making transfers, or from leaking secure pointers that have been written to its control registers. After a channel [SECCFG](#) register has been locked, it becomes read-only. [LOCK](#) bits can be cleared only by a full reset of the DMA block.

[SECCFG](#) registers can be written multiple times before being locked, so the full assignment does not have to be known up front: for example, Secure Arm software can set spare channels to NSP before launching the Non-secure software context, and Non-secure, Privileged software can then set the remaining channels it does not need to NSU before returning to the Non-secure, Normal context.

12.6.6.2. Interrupt Security Assignment

The RP2350 DMA has four system-level interrupt request lines (IRQs), each of which can be asserted on any combination of channel interrupts, as defined by the channel masks in the interrupt enable registers [INTE0](#) through [INTE3](#). Because the timing of interrupts can leak information, and because it is possible to cause software to malfunction by deliberately manipulating its interrupts, access to the channel interrupt flags must be controlled.

The interrupt security configuration registers, [SECCFG_IRQ0](#) through [SECCFG_IRQ3](#), define the security level for each interrupt. This is one of the four security levels laid out in [Section 12.6.6](#). The security level of an IRQ defines:

- Which channels are visible in this IRQ's status registers; channels of a level higher than the IRQ's will read back as zero.
- Whether a bus access to this IRQ's control and status registers is permitted; bus accesses below this IRQ's security level will return bus faults and have no effect on the DMA.
- Which channels will assert this IRQ; channels of a level higher than this IRQ's level will not cause the interrupt to assert, even if relevant [INTE](#) bit is set.
- Whether a channel's interrupt can be cleared through this IRQ's [INTS](#) register, or set through this channel's [INTF](#) register; the interrupt flags of channels of higher security level than the IRQ can not be set or cleared.

The [INTR](#) register is shared between all IRQs, so it does not respect any of the IRQ security levels. Instead, it follows the security level of the bus access: reads of [INTR](#) will return the interrupt flags of all channels at or below the security level of the bus access (with higher-level channels reading back as zeroes), and writes to [INTR](#) have write-one-clear behaviour on channels which are at or below the security level of the bus access.

12.6.6.3. Memory protection unit

The DMA memory protection unit (MPU) monitors the addresses of all read/write transfers performed by the DMA, and notes the security level of the originating channel. The MPU is configured in advance with a user-defined security address map, which specifies the *minimum* security level required to access up to eight dynamically configured regions. This is one of the four security levels defined in [Section 12.6.6](#).

Transfers that fail to meet the minimum security level for their address are shot down before reaching the system bus, and a bus error is returned to the originating channel. This will be reported as either a read or write bus error in the channel's [CTRL](#) register, depending on whether it was a read or write address that failed the security check.

The intended use for the DMA MPU is to mirror the security definitions of SRAM and XIP memory from the processor SAU or PMP. The number of DMA MPU regions is not sufficient for assigning individual peripherals, so the [ACCESSCTRL](#) bus access registers ([Section 10.6.2](#)) are provided for this purpose.

Each of the eight MPU regions is configured with a base address, [MPU_BAR0](#) through [MPU_BAR7](#) for each region, and a limit address, [MPU_LAR0](#) through [MPU_LAR7](#).

MPU regions have a granularity of 32 bytes, so the base/limit addresses are configured by the 27 most-significant bits of each [BAR/LAR](#) register (bits 31:5). Addresses match MPU regions when the 27 most-significant bits of the address are greater than or equal to the [BAR](#) address bits, and less than or equal to the [LAR](#) address bits. For example, when [MPU_BAR0](#) and [MPU_LAR0](#) both have the value `0x10000000`, MPU region 0 matches on a 32-byte region extending from byte address `0x10000000` to `0x1000001f` (inclusive). Regions can be enabled or disabled using the [LAR.EN](#) bits – if a region is disabled, it matches no addresses.

The minimum security level required to access each region is defined by the [S](#) and [P](#) bits in the LSBs of that region's [LAR](#) register. When an address matches multiple regions, the lowest-numbered region applies. This matches the tie-break rules for the RISC-V PMP, but is different from the Arm SAU tie-break rules, so care must be taken when mirroring SAU mappings with overlapping regions. When none of the MPU regions are matched, the security level is defined by the global [MPU_CTRL.S](#) and [MPU_CTRL.P](#) bits.

The MPU configuration registers ([MPU_CTRL](#), [MPU_BAR0](#) through [MPU_BAR7](#) and [MPU_LAR0](#) through [MPU_LAR7](#)) do not permit unprivileged access. Bus accesses at the SU and NSU security levels will return a bus fault and have no other effect.

The MPU registers are also mostly read-only to NSP accesses, with the sole exception being the region [P](#) bits which are NSP-writable if and only if the corresponding region's [S](#) bit is clear. This delegates to Privileged, Non-secure software the decision of whether Non-secure regions are NSU-accessible.

12.6.7. Bus error handling

A bus error is an error condition flagged to one of the DMA's manager ports in response to an attempted read or write transfer, indicating the transfer was rejected for one of the following reasons:

- The DMA MPU forbids access to this address at the originating channel's security level ([Section 12.6.6.3](#)).
- The bus fabric failed to decode the address; the address did not match any known memory location (for example SIO is not visible from the DMA bus ports as it is tightly coupled to the processors).
- [ACCESSCTRL](#) forbids access to the addressed region at the originating channel's privilege level ([Section 10.6.2](#)).
- [ACCESSCTRL](#) forbids DMA access to the addressed region, irrespective of privilege.
- The APB bridge returned a timeout fault for a transfer exceeding 65535 cycles (e.g. accessed ADC whilst `clk_adc` was stopped).
- The downstream bus port returned an error response for any other device-specific reason, e.g. attempting to access configuration registers for a DMA channel with higher security level ([Section 12.6.6.1](#)).

12.6.7.1. Response to bus errors

Upon encountering a bus error, the DMA halts the offending channel and reports the error through the channel's [CH0_CTRL_TRIG.READ_ERROR](#) and [WRITE_ERROR](#) flags. The channel stops scheduling bus accesses.

Bus errors are exceptional events which usually indicate misconfiguration of the DMA or some other system hardware. Therefore the DMA refuses to restart the offending channel until its error status is cleared by writing `1` to the relevant error flag. Other channels are not affected, and continue their transfer sequences uninterrupted.

A channel which encounters a bus error does not [CHAIN_TO](#) other channels.

Bus errors always cause the channel's interrupt request to be asserted. Whether or not this causes a system-level IRQ depends on the channel masks configured in interrupt enable registers [INTE0](#) through [INTE3](#).

12.6.7.2. Recovery after bus errors

If an error is reported through `READ_ERR`/`WRITE_ERR` then, before restarting the channel, software must:

1. Poll for a low `BUSY` status to ensure that all in-flight transfers for this channel have been flushed from the DMA's bus pipeline.
2. Clear the error flags by writing `1` to each flag.

Generally the `BUSY` flag will already be low long before the processor enters its interrupt handler and checks the error status, but it is possible for these events to overlap when the DMA is accessing a slow device such as XIP with a high `SCK` divisor and processors are executing from SRAM.

`READ_ADDR` and `WRITE_ADDR` contain the approximate address where the bus error was encountered. This can be useful for the programmer to understand why the bus error occurred, and fix the software to avoid it in future.

Since the DMA performs reads and writes in parallel, it is possible for a channel to encounter both a read and write error simultaneously, and in this case the DMA sets both `READ_ERR` and `WRITE_ERR`. You must clear both.

12.6.7.3. Halt timing

The DMA halts the channel as soon as possible following a bus error. This suppresses future reads and writes. Because the request to access the bus is masked, the bus access has no side effects on the system. The timing relationships are not straightforward due to the DMA's pipelining and buffering. The DMA provides the following ordering guarantees between transfers originating from one channel:

- Read error → read suppression: Any reads scheduled to occur after a faulting read *will* be suppressed, but *can* still increment `READ_ADDR` up to two times total
- Write error → write suppression: Any writes scheduled to occur after a faulting write *will* be suppressed, but *can* still increment `WRITE_ADDR` up to four times total
- Read error → write suppression:
 - Any write paired with a faulting read *will* be suppressed, but *will* increment `WRITE_ADDR`
 - Any write following the first write paired with a faulting read *will* be suppressed, but *can* increment `WRITE_ADDR` up to three times total
 - Up to three writes immediately preceding the first write paired with a faulting read *can* be suppressed, but *will* increment `WRITE_ADDR`
- Write error → read suppression:
 - Reads paired with writes before the first faulting write *will not* be suppressed, and *will* increment `READ_ADDR`.
 - Up to two read transfers paired with writes after the first faulting write *can* be suppressed, and *can* increment `READ_ADDR`

"Paired with" in the above paragraph refers to *the write access which writes data originating from a particular read transfer*, or vice versa. The DMA always schedules read and write accesses in matched pairs.

Slight variability in halt behaviour is due to the buffering of in-flight transfers, and the parallel operation of the read and write bus ports. The values of `READ_ADDR`/`WRITE_ADDR` following a bus error can be slightly beyond the address that experienced the first error, but the difference is bounded, and usually this is still sufficient to diagnose the reason for the fault. Additionally, `READ_ADDR` and `WRITE_ADDR` are guaranteed to over-increment by the same amount, since reads and writes are always scheduled in pairs.

In addition to the increments mentioned above, `READ_ADDR`/`WRITE_ADDR` always point to the *next* address to be written, so always point slightly past the faulting address if address increment is enabled.

12.6.8. Additional features

12.6.8.1. Pacing timers

These allow transfer of data roughly once every n `clk_sys` clocks instead of using external peripheral DREQ to trigger transfers. A fractional (X/Y) divider is used, and will generate a maximum of 1 request per `clk_sys` cycle.

There are 4 timers available in RP2350. Each DMA channel is able to select any of these in `CTRL.TREQ_SEL`. There is one register used to configure the pacing coefficients for each timer, `TIMER0` through `TIMER3`.

Each timer's security level is defined by a register field in `SECCFG_MISC`. This defines the minimum bus security level required to configure that timer (lower levels will get a bus fault), and the minimum channel security level required to observe that timer's TREQ.

12.6.8.2. CRC calculation

The DMA can watch data from a given channel passing through the data FIFO, and calculate checksums based on this data. This is a purely passive affair: the data is not altered by this hardware, only observed.

The feature is controlled via the `SNIFF_CTRL` and `SNIFF_DATA` registers, and can be enabled/disabled per DMA transfer via the `CTRL.SNIFF_EN` field.

As this hardware cannot place back-pressure on the FIFO, it must keep up with the DMA's maximum transfer rate of 32 bits per clock.

The supported checksums are:

- CRC-32, MSB-first and LSB-first
- CRC-16-CCITT, MSB-first and LSB-first
- Simple summation (add to 32-bit accumulator)
- Even parity

The result register is both readable and writable, so that the initial seed value can be set.

Bit/byte manipulations are available on the result, which can aid specific use cases:

- Bit inversion
- Bit reversal
- Byte swap

These manipulations do not affect the CRC calculation, just how the data is presented in the result register.

The sniffer's security level is configured by the `SECCFG_MISC.SNIFF_S` and `SECCFG_MISC.SNIFF_P` bits. This determines the minimum bus security level required to access the sniffer's control registers, as well as the maximum channel security level that the sniffer can observe.

12.6.8.3. Channel abort

It is possible for a channel to get into an irrecoverable state. If commanded to transfer more data than a peripheral will ever request, the channel will never complete. Clearing the `CTRL.EN` bit pauses the channel, but does not solve the problem. This should not occur under normal circumstances, but it is important that there is a mechanism to recover without simply hard-resetting the entire DMA block.

In such a situation, use the `CHAN_ABORT` register to force the channel to complete early. There is one bit for each channel. Writing a 1 to the corresponding bit terminates the channel. This clears the transfer counter and forces the channel into an inactive state.

At the time an abort is triggered, a channel might have bus transfers currently in flight between the read and write manager. These transfers cannot be revoked. The `CTRL.BUSY` flag stays high until these transfers complete, and the channel reaches a safe state. This generally takes only a few cycles. The channel must not be restarted until its `CTRL.BUSY` flag de-asserts. Starting a new sequence of transfers whilst transfers from an old sequence are still in flight will cause unpredictable behaviour.

The sequence to abort one or more channels in an unknown state (also accounting for the behaviour described in [RP2350-E5](#)) is:

1. Clear the `EN` bit and disable `CHAIN_TO` for all channels to be aborted.
2. Write the `CHAN_ABORT` register with a bitmap of those same channels.
3. Poll the `ABORT` register until all bits set by the previous write are clear.

When aborting a channel involved in a `CHAIN_TO`, it is recommended to simultaneously abort all other channels involved in the chain.

12.6.8.4. Debug

Debug registers are available for each DMA channel to show the dreq counter `DBG_CTDREQ` and next transfer count `DBG_TCR`. These can also be used to reset a DMA channel if required.

12.6.9. Example use cases

12.6.9.1. Using interrupts to reconfigure a channel

When a channel finishes a block of transfers, it becomes available for making more transfers. Software detects that the channel is no longer busy, and reconfigures and restarts the channel. One approach is to poll the `CTRL_BUSY` bit until the channel is done, but this loses one of the key advantages of the DMA, namely that it does *not* have to operate in lockstep with a processor. By setting the correct bit in `INTE0` through `INTE3`, you can instruct the DMA to raise one of its four interrupt request lines when a given channel completes. Rather than repeatedly asking if a channel is done, you are told.

i NOTE

Having four system interrupt lines allows different channel completion interrupts to be routed to different cores, or to pre-empt one another on the same core if one channel is more time-critical. It also allows channel interrupts to target different security domains.

When the interrupt is asserted, the processor can be configured to drop whatever it is doing and call a user-specified handler function. The handler can reconfigure and restart the channel. When the handler exits, the processor returns to the interrupted code running in the foreground.

Pico Examples: https://github.com/raspberrypi/pico-examples/blob/master/dma/channel_irq/channel_irq.c Lines 35 - 52

```

35 void dma_handler() {
36     static int pwm_level = 0;
37     static uint32_t wavetable[N_PWM_LEVELS];
38     static bool first_run = true;
39     // Entry number `i` has `i` one bits and `(32 - i)` zero bits.
40     if (first_run) {
41         first_run = false;
42         for (int i = 0; i < N_PWM_LEVELS; ++i)
43             wavetable[i] = ~(~0u << i);
44     }
45 
```

```

46 // Clear the interrupt request.
47 dma_hw->ints0 = 1u << dma_chan;
48 // Give the channel a new wave table entry to read from, and re-trigger it
49 dma_channel_set_read_addr(dma_chan, &wavetable[pwm_level], true);
50
51 pwm_level = (pwm_level + 1) % N_PWM_LEVELS;
52 }

```

In many cases, most of the configuration can be done the first time the channel starts. This way, only addresses and transfer lengths need reprogramming in the interrupt handler.

Pico Examples: https://github.com/raspberrypi/pico-examples/blob/master/dma/channel_irq/channel_irq.c Lines 54 - 94

```

54 int main() {
55 #ifndef PICO_DEFAULT_LED_PIN
56 #warning dma/channel_irq example requires a board with a regular LED
57 #else
58 // Set up a PIO state machine to serialise our bits
59 uint offset = pio_add_program(pio0, &pio_serialiser_program);
60 pio_serialiser_program_init(pio0, 0, offset, PICO_DEFAULT_LED_PIN, PIO_SERIAL_CLKDIV);
61
62 // Configure a channel to write the same word (32 bits) repeatedly to PIO0
63 // SM0's TX FIFO, paced by the data request signal from that peripheral.
64 dma_chan = dma_claim_unused_channel(true);
65 dma_channel_config c = dma_channel_get_default_config(dma_chan);
66 channel_config_set_transfer_data_size(&c, DMA_SIZE_32);
67 channel_config_set_read_increment(&c, false);
68 channel_config_set_dreq(&c, DREQ_PIO0_TX0);
69
70 dma_channel_configure(
71     dma_chan,
72     &c,
73     &pio0_hw->txf[0], // Write address (only need to set this once)
74     NULL,             // Don't provide a read address yet
75     PWM_REPEAT_COUNT, // Write the same value many times, then halt and interrupt
76     false            // Don't start yet
77 );
78
79 // Tell the DMA to raise IRQ line 0 when the channel finishes a block
80 dma_channel_set_irq0_enabled(dma_chan, true);
81
82 // Configure the processor to run dma_handler() when DMA IRQ 0 is asserted
83 irq_set_exclusive_handler(DMA_IRQ_0, dma_handler);
84 irq_set_enabled(DMA_IRQ_0, true);
85
86 // Manually call the handler once, to trigger the first transfer
87 dma_handler();
88
89 // Everything else from this point is interrupt-driven. The processor has
90 // time to sit and think about its early retirement -- maybe open a bakery?
91 while (true)
92     tight_loop_contents();
93 #endif
94 }

```

One disadvantage of this technique is that you don't start to reconfigure the channel until some time after the channel makes its last transfer. If there is heavy interrupt activity on the processor, this can be quite a long time, and quite a large gap in transfers. This makes it difficult to sustain a high data throughput.

This is solved by using two channels, with their `CHAIN_TO` fields crossed over, so that channel A triggers channel B when it completes, and vice versa. At any point in time, one of the channels is transferring data. The other is either already

configured to start the next transfer immediately when the current one finishes, or it is in the process of being reconfigured. When channel A completes, it immediately starts the cued-up transfer on channel B. At the same time, the interrupt is fired, and the handler reconfigures channel A so that it is ready when channel B completes.

12.6.9.2. DMA control blocks

Frequently, multiple smaller buffers must be gathered together and sent to the same peripheral. To address this use case, the RP2350 DMA can execute a long and complex sequence of transfers without processor control. One channel repeatedly reconfigures a second channel, and the second channel restarts the first each time it completes block of transfers.

Because the first DMA channel transfers data directly from memory to the second channel's control registers, the format of the control blocks in memory must match those registers. Each time, the last register written to will be one of the trigger registers (Section 12.6.3.1), which will start the second channel on its programmed block of transfers. The register aliases (Section 12.6.3.1) give some flexibility for the block layout, and more importantly allow some registers to be omitted from the blocks, so they occupy less memory and can be loaded more quickly.

This example shows how multiple buffers can be gathered and transferred to the UART, by reprogramming `TRANS_COUNT` and `READ_ADDR_TRIG`:

Pico Examples: https://github.com/raspberrypi/pico-examples/blob/master/dma/control_blocks/control_blocks.c

```

1 /**
2  * Copyright (c) 2020 Raspberry Pi (Trading) Ltd.
3  *
4  * SPDX-License-Identifier: BSD-3-Clause
5  */
6
7 // Use two DMA channels to make a programmed sequence of data transfers to the
8 // UART (a data gather operation). One channel is responsible for transferring
9 // the actual data, the other repeatedly reprograms that channel.
10
11 #include <stdio.h>
12 #include "pico/stdlib.h"
13 #include "hardware/dma.h"
14 #include "hardware/structs/uart.h"
15
16 // These buffers will be DMA'd to the UART, one after the other.
17
18 const char word0[] = "Transferring ";
19 const char word1[] = "one ";
20 const char word2[] = "word ";
21 const char word3[] = "at ";
22 const char word4[] = "a ";
23 const char word5[] = "time.\n";
24
25 // Note the order of the fields here: it's important that the length is before
26 // the read address, because the control channel is going to write to the last
27 // two registers in alias 3 on the data channel:
28 //          +0x0      +0x4      +0x8      +0xC (Trigger)
29 // Alias 0: READ_ADDR  WRITE_ADDR  TRANS_COUNT  CTRL
30 // Alias 1: CTRL      READ_ADDR  WRITE_ADDR  TRANS_COUNT
31 // Alias 2: CTRL      TRANS_COUNT  READ_ADDR  WRITE_ADDR
32 // Alias 3: CTRL      WRITE_ADDR  TRANS_COUNT  READ_ADDR
33 //
34 // This will program the transfer count and read address of the data channel,
35 // and trigger it. Once the data channel completes, it will restart the
36 // control channel (via CHAIN_TO) to load the next two words into its control
37 // registers.
38
39 const struct {uint32_t len; const char *data;} control_blocks[] = {

```

```

40     {count_of(word0) - 1, word0}, // Skip null terminator
41     {count_of(word1) - 1, word1},
42     {count_of(word2) - 1, word2},
43     {count_of(word3) - 1, word3},
44     {count_of(word4) - 1, word4},
45     {count_of(word5) - 1, word5},
46     {0, NULL} // Null trigger to end chain.
47 };
48
49 int main() {
50 #ifndef uart_default
51 #warning dma/control_blocks example requires a UART
52 #else
53     stdio_init_all();
54     puts("DMA control block example:");
55
56     // ctrl_chan loads control blocks into data_chan, which executes them.
57     int ctrl_chan = dma_claim_unused_channel(true);
58     int data_chan = dma_claim_unused_channel(true);
59
60     // The control channel transfers two words into the data channel's control
61     // registers, then halts. The write address wraps on a two-word
62     // (eight-byte) boundary, so that the control channel writes the same two
63     // registers when it is next triggered.
64
65     dma_channel_config c = dma_channel_get_default_config(ctrl_chan);
66     channel_config_set_transfer_data_size(&c, DMA_SIZE_32);
67     channel_config_set_read_increment(&c, true);
68     channel_config_set_write_increment(&c, true);
69     channel_config_set_ring(&c, true, 3); // 1 << 3 byte boundary on write ptr
70
71     dma_channel_configure(
72         ctrl_chan,
73         &c,
74         &dma_hw->ch[data_chan].al3_transfer_count, // Initial write address
75         &control_blocks[0], // Initial read address
76         2, // Halt after each control block
77         false // Don't start yet
78     );
79
80     // The data channel is set up to write to the UART FIFO (paced by the
81     // UART's TX data request signal) and then chain to the control channel
82     // once it completes. The control channel programs a new read address and
83     // data length, and retriggers the data channel.
84
85     c = dma_channel_get_default_config(data_chan);
86     channel_config_set_transfer_data_size(&c, DMA_SIZE_8);
87     channel_config_set_dreq(&c, uart_get_dreq(uart_default, true));
88     // Trigger ctrl_chan when data_chan completes
89     channel_config_set_chain_to(&c, ctrl_chan);
90     // Raise the IRQ flag when 0 is written to a trigger register (end of chain):
91     channel_config_set_irq_quiet(&c, true);
92
93     dma_channel_configure(
94         data_chan,
95         &c,
96         &uart_get_hw(uart_default)->dr,
97         NULL, // Initial read address and transfer count are unimportant;
98         0, // the control channel will reprogram them each time.
99         false // Don't start yet.
100    );
101
102    // Everything is ready to go. Tell the control channel to load the first
103    // control block. Everything is automatic from here.

```



```

104 dma_start_channel_mask(1u << ctrl_chan);
105
106 // The data channel will assert its IRQ flag when it gets a null trigger,
107 // indicating the end of the control block list. We're just going to wait
108 // for the IRQ flag instead of setting up an interrupt handler.
109 while (!(dma_hw->intr & 1u << data_chan))
110     tight_loop_contents();
111 dma_hw->ints0 = 1u << data_chan;
112
113 puts("DMA finished.");
114 #endif
115 }

```

12.6.10. List of Registers

The DMA registers start at a base address of `0x50000000` (defined as `DMA_BASE` in SDK).

Table 1147. List of DMA registers

| Offset | Name | Info |
|--------|--|--|
| 0x000 | CH0_READ_ADDR | DMA Channel 0 Read Address pointer |
| 0x004 | CH0_WRITE_ADDR | DMA Channel 0 Write Address pointer |
| 0x008 | CH0_TRANS_COUNT | DMA Channel 0 Transfer Count |
| 0x00c | CH0_CTRL_TRIG | DMA Channel 0 Control and Status |
| 0x010 | CH0_AL1_CTRL | Alias for channel 0 CTRL register |
| 0x014 | CH0_AL1_READ_ADDR | Alias for channel 0 READ_ADDR register |
| 0x018 | CH0_AL1_WRITE_ADDR | Alias for channel 0 WRITE_ADDR register |
| 0x01c | CH0_AL1_TRANS_COUNT_TRIG | Alias for channel 0 TRANS_COUNT register This is a trigger register (0xc). Writing a nonzero value will reload the channel counter and start the channel. |
| 0x020 | CH0_AL2_CTRL | Alias for channel 0 CTRL register |
| 0x024 | CH0_AL2_TRANS_COUNT | Alias for channel 0 TRANS_COUNT register |
| 0x028 | CH0_AL2_READ_ADDR | Alias for channel 0 READ_ADDR register |
| 0x02c | CH0_AL2_WRITE_ADDR_TRIG | Alias for channel 0 WRITE_ADDR register This is a trigger register (0xc). Writing a nonzero value will reload the channel counter and start the channel. |
| 0x030 | CH0_AL3_CTRL | Alias for channel 0 CTRL register |
| 0x034 | CH0_AL3_WRITE_ADDR | Alias for channel 0 WRITE_ADDR register |
| 0x038 | CH0_AL3_TRANS_COUNT | Alias for channel 0 TRANS_COUNT register |
| 0x03c | CH0_AL3_READ_ADDR_TRIG | Alias for channel 0 READ_ADDR register This is a trigger register (0xc). Writing a nonzero value will reload the channel counter and start the channel. |
| 0x040 | CH1_READ_ADDR | DMA Channel 1 Read Address pointer |
| 0x044 | CH1_WRITE_ADDR | DMA Channel 1 Write Address pointer |
| 0x048 | CH1_TRANS_COUNT | DMA Channel 1 Transfer Count |
| 0x04c | CH1_CTRL_TRIG | DMA Channel 1 Control and Status |

| Offset | Name | Info |
|--------|--|--|
| 0x050 | CH1_AL1_CTRL | Alias for channel 1 CTRL register |
| 0x054 | CH1_AL1_READ_ADDR | Alias for channel 1 READ_ADDR register |
| 0x058 | CH1_AL1_WRITE_ADDR | Alias for channel 1 WRITE_ADDR register |
| 0x05c | CH1_AL1_TRANS_COUNT_TRIG | Alias for channel 1 TRANS_COUNT register This is a trigger register (0xc). Writing a nonzero value will reload the channel counter and start the channel. |
| 0x060 | CH1_AL2_CTRL | Alias for channel 1 CTRL register |
| 0x064 | CH1_AL2_TRANS_COUNT | Alias for channel 1 TRANS_COUNT register |
| 0x068 | CH1_AL2_READ_ADDR | Alias for channel 1 READ_ADDR register |
| 0x06c | CH1_AL2_WRITE_ADDR_TRIG | Alias for channel 1 WRITE_ADDR register This is a trigger register (0xc). Writing a nonzero value will reload the channel counter and start the channel. |
| 0x070 | CH1_AL3_CTRL | Alias for channel 1 CTRL register |
| 0x074 | CH1_AL3_WRITE_ADDR | Alias for channel 1 WRITE_ADDR register |
| 0x078 | CH1_AL3_TRANS_COUNT | Alias for channel 1 TRANS_COUNT register |
| 0x07c | CH1_AL3_READ_ADDR_TRIG | Alias for channel 1 READ_ADDR register This is a trigger register (0xc). Writing a nonzero value will reload the channel counter and start the channel. |
| 0x080 | CH2_READ_ADDR | DMA Channel 2 Read Address pointer |
| 0x084 | CH2_WRITE_ADDR | DMA Channel 2 Write Address pointer |
| 0x088 | CH2_TRANS_COUNT | DMA Channel 2 Transfer Count |
| 0x08c | CH2_CTRL_TRIG | DMA Channel 2 Control and Status |
| 0x090 | CH2_AL1_CTRL | Alias for channel 2 CTRL register |
| 0x094 | CH2_AL1_READ_ADDR | Alias for channel 2 READ_ADDR register |
| 0x098 | CH2_AL1_WRITE_ADDR | Alias for channel 2 WRITE_ADDR register |
| 0x09c | CH2_AL1_TRANS_COUNT_TRIG | Alias for channel 2 TRANS_COUNT register This is a trigger register (0xc). Writing a nonzero value will reload the channel counter and start the channel. |
| 0x0a0 | CH2_AL2_CTRL | Alias for channel 2 CTRL register |
| 0x0a4 | CH2_AL2_TRANS_COUNT | Alias for channel 2 TRANS_COUNT register |
| 0x0a8 | CH2_AL2_READ_ADDR | Alias for channel 2 READ_ADDR register |
| 0x0ac | CH2_AL2_WRITE_ADDR_TRIG | Alias for channel 2 WRITE_ADDR register This is a trigger register (0xc). Writing a nonzero value will reload the channel counter and start the channel. |
| 0x0b0 | CH2_AL3_CTRL | Alias for channel 2 CTRL register |
| 0x0b4 | CH2_AL3_WRITE_ADDR | Alias for channel 2 WRITE_ADDR register |
| 0x0b8 | CH2_AL3_TRANS_COUNT | Alias for channel 2 TRANS_COUNT register |
| 0x0bc | CH2_AL3_READ_ADDR_TRIG | Alias for channel 2 READ_ADDR register This is a trigger register (0xc). Writing a nonzero value will reload the channel counter and start the channel. |

| Offset | Name | Info |
|--------|--------------------------|--|
| 0x0c0 | CH3_READ_ADDR | DMA Channel 3 Read Address pointer |
| 0x0c4 | CH3_WRITE_ADDR | DMA Channel 3 Write Address pointer |
| 0x0c8 | CH3_TRANS_COUNT | DMA Channel 3 Transfer Count |
| 0x0cc | CH3_CTRL_TRIG | DMA Channel 3 Control and Status |
| 0x0d0 | CH3_AL1_CTRL | Alias for channel 3 CTRL register |
| 0x0d4 | CH3_AL1_READ_ADDR | Alias for channel 3 READ_ADDR register |
| 0x0d8 | CH3_AL1_WRITE_ADDR | Alias for channel 3 WRITE_ADDR register |
| 0x0dc | CH3_AL1_TRANS_COUNT_TRIG | Alias for channel 3 TRANS_COUNT register This is a trigger register (0xc). Writing a nonzero value will reload the channel counter and start the channel. |
| 0x0e0 | CH3_AL2_CTRL | Alias for channel 3 CTRL register |
| 0x0e4 | CH3_AL2_TRANS_COUNT | Alias for channel 3 TRANS_COUNT register |
| 0x0e8 | CH3_AL2_READ_ADDR | Alias for channel 3 READ_ADDR register |
| 0x0ec | CH3_AL2_WRITE_ADDR_TRIG | Alias for channel 3 WRITE_ADDR register This is a trigger register (0xc). Writing a nonzero value will reload the channel counter and start the channel. |
| 0x0f0 | CH3_AL3_CTRL | Alias for channel 3 CTRL register |
| 0x0f4 | CH3_AL3_WRITE_ADDR | Alias for channel 3 WRITE_ADDR register |
| 0x0f8 | CH3_AL3_TRANS_COUNT | Alias for channel 3 TRANS_COUNT register |
| 0x0fc | CH3_AL3_READ_ADDR_TRIG | Alias for channel 3 READ_ADDR register This is a trigger register (0xc). Writing a nonzero value will reload the channel counter and start the channel. |
| 0x100 | CH4_READ_ADDR | DMA Channel 4 Read Address pointer |
| 0x104 | CH4_WRITE_ADDR | DMA Channel 4 Write Address pointer |
| 0x108 | CH4_TRANS_COUNT | DMA Channel 4 Transfer Count |
| 0x10c | CH4_CTRL_TRIG | DMA Channel 4 Control and Status |
| 0x110 | CH4_AL1_CTRL | Alias for channel 4 CTRL register |
| 0x114 | CH4_AL1_READ_ADDR | Alias for channel 4 READ_ADDR register |
| 0x118 | CH4_AL1_WRITE_ADDR | Alias for channel 4 WRITE_ADDR register |
| 0x11c | CH4_AL1_TRANS_COUNT_TRIG | Alias for channel 4 TRANS_COUNT register This is a trigger register (0xc). Writing a nonzero value will reload the channel counter and start the channel. |
| 0x120 | CH4_AL2_CTRL | Alias for channel 4 CTRL register |
| 0x124 | CH4_AL2_TRANS_COUNT | Alias for channel 4 TRANS_COUNT register |
| 0x128 | CH4_AL2_READ_ADDR | Alias for channel 4 READ_ADDR register |
| 0x12c | CH4_AL2_WRITE_ADDR_TRIG | Alias for channel 4 WRITE_ADDR register This is a trigger register (0xc). Writing a nonzero value will reload the channel counter and start the channel. |
| 0x130 | CH4_AL3_CTRL | Alias for channel 4 CTRL register |

| Offset | Name | Info |
|--------|--|--|
| 0x134 | CH4_AL3_WRITE_ADDR | Alias for channel 4 WRITE_ADDR register |
| 0x138 | CH4_AL3_TRANS_COUNT | Alias for channel 4 TRANS_COUNT register |
| 0x13c | CH4_AL3_READ_ADDR_TRIG | Alias for channel 4 READ_ADDR register This is a trigger register (0xc). Writing a nonzero value will reload the channel counter and start the channel. |
| 0x140 | CH5_READ_ADDR | DMA Channel 5 Read Address pointer |
| 0x144 | CH5_WRITE_ADDR | DMA Channel 5 Write Address pointer |
| 0x148 | CH5_TRANS_COUNT | DMA Channel 5 Transfer Count |
| 0x14c | CH5_CTRL_TRIG | DMA Channel 5 Control and Status |
| 0x150 | CH5_AL1_CTRL | Alias for channel 5 CTRL register |
| 0x154 | CH5_AL1_READ_ADDR | Alias for channel 5 READ_ADDR register |
| 0x158 | CH5_AL1_WRITE_ADDR | Alias for channel 5 WRITE_ADDR register |
| 0x15c | CH5_AL1_TRANS_COUNT_TRIG | Alias for channel 5 TRANS_COUNT register This is a trigger register (0xc). Writing a nonzero value will reload the channel counter and start the channel. |
| 0x160 | CH5_AL2_CTRL | Alias for channel 5 CTRL register |
| 0x164 | CH5_AL2_TRANS_COUNT | Alias for channel 5 TRANS_COUNT register |
| 0x168 | CH5_AL2_READ_ADDR | Alias for channel 5 READ_ADDR register |
| 0x16c | CH5_AL2_WRITE_ADDR_TRIG | Alias for channel 5 WRITE_ADDR register This is a trigger register (0xc). Writing a nonzero value will reload the channel counter and start the channel. |
| 0x170 | CH5_AL3_CTRL | Alias for channel 5 CTRL register |
| 0x174 | CH5_AL3_WRITE_ADDR | Alias for channel 5 WRITE_ADDR register |
| 0x178 | CH5_AL3_TRANS_COUNT | Alias for channel 5 TRANS_COUNT register |
| 0x17c | CH5_AL3_READ_ADDR_TRIG | Alias for channel 5 READ_ADDR register This is a trigger register (0xc). Writing a nonzero value will reload the channel counter and start the channel. |
| 0x180 | CH6_READ_ADDR | DMA Channel 6 Read Address pointer |
| 0x184 | CH6_WRITE_ADDR | DMA Channel 6 Write Address pointer |
| 0x188 | CH6_TRANS_COUNT | DMA Channel 6 Transfer Count |
| 0x18c | CH6_CTRL_TRIG | DMA Channel 6 Control and Status |
| 0x190 | CH6_AL1_CTRL | Alias for channel 6 CTRL register |
| 0x194 | CH6_AL1_READ_ADDR | Alias for channel 6 READ_ADDR register |
| 0x198 | CH6_AL1_WRITE_ADDR | Alias for channel 6 WRITE_ADDR register |
| 0x19c | CH6_AL1_TRANS_COUNT_TRIG | Alias for channel 6 TRANS_COUNT register This is a trigger register (0xc). Writing a nonzero value will reload the channel counter and start the channel. |
| 0x1a0 | CH6_AL2_CTRL | Alias for channel 6 CTRL register |
| 0x1a4 | CH6_AL2_TRANS_COUNT | Alias for channel 6 TRANS_COUNT register |

| Offset | Name | Info |
|--------|--|--|
| 0x1a8 | CH6_AL2_READ_ADDR | Alias for channel 6 READ_ADDR register |
| 0x1ac | CH6_AL2_WRITE_ADDR_TRIG | Alias for channel 6 WRITE_ADDR register This is a trigger register (0xc). Writing a nonzero value will reload the channel counter and start the channel. |
| 0x1b0 | CH6_AL3_CTRL | Alias for channel 6 CTRL register |
| 0x1b4 | CH6_AL3_WRITE_ADDR | Alias for channel 6 WRITE_ADDR register |
| 0x1b8 | CH6_AL3_TRANS_COUNT | Alias for channel 6 TRANS_COUNT register |
| 0x1bc | CH6_AL3_READ_ADDR_TRIG | Alias for channel 6 READ_ADDR register This is a trigger register (0xc). Writing a nonzero value will reload the channel counter and start the channel. |
| 0x1c0 | CH7_READ_ADDR | DMA Channel 7 Read Address pointer |
| 0x1c4 | CH7_WRITE_ADDR | DMA Channel 7 Write Address pointer |
| 0x1c8 | CH7_TRANS_COUNT | DMA Channel 7 Transfer Count |
| 0x1cc | CH7_CTRL_TRIG | DMA Channel 7 Control and Status |
| 0x1d0 | CH7_AL1_CTRL | Alias for channel 7 CTRL register |
| 0x1d4 | CH7_AL1_READ_ADDR | Alias for channel 7 READ_ADDR register |
| 0x1d8 | CH7_AL1_WRITE_ADDR | Alias for channel 7 WRITE_ADDR register |
| 0x1dc | CH7_AL1_TRANS_COUNT_TRIG | Alias for channel 7 TRANS_COUNT register This is a trigger register (0xc). Writing a nonzero value will reload the channel counter and start the channel. |
| 0x1e0 | CH7_AL2_CTRL | Alias for channel 7 CTRL register |
| 0x1e4 | CH7_AL2_TRANS_COUNT | Alias for channel 7 TRANS_COUNT register |
| 0x1e8 | CH7_AL2_READ_ADDR | Alias for channel 7 READ_ADDR register |
| 0x1ec | CH7_AL2_WRITE_ADDR_TRIG | Alias for channel 7 WRITE_ADDR register This is a trigger register (0xc). Writing a nonzero value will reload the channel counter and start the channel. |
| 0x1f0 | CH7_AL3_CTRL | Alias for channel 7 CTRL register |
| 0x1f4 | CH7_AL3_WRITE_ADDR | Alias for channel 7 WRITE_ADDR register |
| 0x1f8 | CH7_AL3_TRANS_COUNT | Alias for channel 7 TRANS_COUNT register |
| 0x1fc | CH7_AL3_READ_ADDR_TRIG | Alias for channel 7 READ_ADDR register This is a trigger register (0xc). Writing a nonzero value will reload the channel counter and start the channel. |
| 0x200 | CH8_READ_ADDR | DMA Channel 8 Read Address pointer |
| 0x204 | CH8_WRITE_ADDR | DMA Channel 8 Write Address pointer |
| 0x208 | CH8_TRANS_COUNT | DMA Channel 8 Transfer Count |
| 0x20c | CH8_CTRL_TRIG | DMA Channel 8 Control and Status |
| 0x210 | CH8_AL1_CTRL | Alias for channel 8 CTRL register |
| 0x214 | CH8_AL1_READ_ADDR | Alias for channel 8 READ_ADDR register |
| 0x218 | CH8_AL1_WRITE_ADDR | Alias for channel 8 WRITE_ADDR register |

| Offset | Name | Info |
|--------|--------------------------|--|
| 0x21c | CH8_AL1_TRANS_COUNT_TRIG | Alias for channel 8 TRANS_COUNT register This is a trigger register (0xc). Writing a nonzero value will reload the channel counter and start the channel. |
| 0x220 | CH8_AL2_CTRL | Alias for channel 8 CTRL register |
| 0x224 | CH8_AL2_TRANS_COUNT | Alias for channel 8 TRANS_COUNT register |
| 0x228 | CH8_AL2_READ_ADDR | Alias for channel 8 READ_ADDR register |
| 0x22c | CH8_AL2_WRITE_ADDR_TRIG | Alias for channel 8 WRITE_ADDR register This is a trigger register (0xc). Writing a nonzero value will reload the channel counter and start the channel. |
| 0x230 | CH8_AL3_CTRL | Alias for channel 8 CTRL register |
| 0x234 | CH8_AL3_WRITE_ADDR | Alias for channel 8 WRITE_ADDR register |
| 0x238 | CH8_AL3_TRANS_COUNT | Alias for channel 8 TRANS_COUNT register |
| 0x23c | CH8_AL3_READ_ADDR_TRIG | Alias for channel 8 READ_ADDR register This is a trigger register (0xc). Writing a nonzero value will reload the channel counter and start the channel. |
| 0x240 | CH9_READ_ADDR | DMA Channel 9 Read Address pointer |
| 0x244 | CH9_WRITE_ADDR | DMA Channel 9 Write Address pointer |
| 0x248 | CH9_TRANS_COUNT | DMA Channel 9 Transfer Count |
| 0x24c | CH9_CTRL_TRIG | DMA Channel 9 Control and Status |
| 0x250 | CH9_AL1_CTRL | Alias for channel 9 CTRL register |
| 0x254 | CH9_AL1_READ_ADDR | Alias for channel 9 READ_ADDR register |
| 0x258 | CH9_AL1_WRITE_ADDR | Alias for channel 9 WRITE_ADDR register |
| 0x25c | CH9_AL1_TRANS_COUNT_TRIG | Alias for channel 9 TRANS_COUNT register This is a trigger register (0xc). Writing a nonzero value will reload the channel counter and start the channel. |
| 0x260 | CH9_AL2_CTRL | Alias for channel 9 CTRL register |
| 0x264 | CH9_AL2_TRANS_COUNT | Alias for channel 9 TRANS_COUNT register |
| 0x268 | CH9_AL2_READ_ADDR | Alias for channel 9 READ_ADDR register |
| 0x26c | CH9_AL2_WRITE_ADDR_TRIG | Alias for channel 9 WRITE_ADDR register This is a trigger register (0xc). Writing a nonzero value will reload the channel counter and start the channel. |
| 0x270 | CH9_AL3_CTRL | Alias for channel 9 CTRL register |
| 0x274 | CH9_AL3_WRITE_ADDR | Alias for channel 9 WRITE_ADDR register |
| 0x278 | CH9_AL3_TRANS_COUNT | Alias for channel 9 TRANS_COUNT register |
| 0x27c | CH9_AL3_READ_ADDR_TRIG | Alias for channel 9 READ_ADDR register This is a trigger register (0xc). Writing a nonzero value will reload the channel counter and start the channel. |
| 0x280 | CH10_READ_ADDR | DMA Channel 10 Read Address pointer |
| 0x284 | CH10_WRITE_ADDR | DMA Channel 10 Write Address pointer |
| 0x288 | CH10_TRANS_COUNT | DMA Channel 10 Transfer Count |

| Offset | Name | Info |
|--------|---------------------------|---|
| 0x28c | CH10_CTRL_TRIG | DMA Channel 10 Control and Status |
| 0x290 | CH10_AL1_CTRL | Alias for channel 10 CTRL register |
| 0x294 | CH10_AL1_READ_ADDR | Alias for channel 10 READ_ADDR register |
| 0x298 | CH10_AL1_WRITE_ADDR | Alias for channel 10 WRITE_ADDR register |
| 0x29c | CH10_AL1_TRANS_COUNT_TRIG | Alias for channel 10 TRANS_COUNT register This is a trigger register (0xc). Writing a nonzero value will reload the channel counter and start the channel. |
| 0x2a0 | CH10_AL2_CTRL | Alias for channel 10 CTRL register |
| 0x2a4 | CH10_AL2_TRANS_COUNT | Alias for channel 10 TRANS_COUNT register |
| 0x2a8 | CH10_AL2_READ_ADDR | Alias for channel 10 READ_ADDR register |
| 0x2ac | CH10_AL2_WRITE_ADDR_TRIG | Alias for channel 10 WRITE_ADDR register This is a trigger register (0xc). Writing a nonzero value will reload the channel counter and start the channel. |
| 0x2b0 | CH10_AL3_CTRL | Alias for channel 10 CTRL register |
| 0x2b4 | CH10_AL3_WRITE_ADDR | Alias for channel 10 WRITE_ADDR register |
| 0x2b8 | CH10_AL3_TRANS_COUNT | Alias for channel 10 TRANS_COUNT register |
| 0x2bc | CH10_AL3_READ_ADDR_TRIG | Alias for channel 10 READ_ADDR register This is a trigger register (0xc). Writing a nonzero value will reload the channel counter and start the channel. |
| 0x2c0 | CH11_READ_ADDR | DMA Channel 11 Read Address pointer |
| 0x2c4 | CH11_WRITE_ADDR | DMA Channel 11 Write Address pointer |
| 0x2c8 | CH11_TRANS_COUNT | DMA Channel 11 Transfer Count |
| 0x2cc | CH11_CTRL_TRIG | DMA Channel 11 Control and Status |
| 0x2d0 | CH11_AL1_CTRL | Alias for channel 11 CTRL register |
| 0x2d4 | CH11_AL1_READ_ADDR | Alias for channel 11 READ_ADDR register |
| 0x2d8 | CH11_AL1_WRITE_ADDR | Alias for channel 11 WRITE_ADDR register |
| 0x2dc | CH11_AL1_TRANS_COUNT_TRIG | Alias for channel 11 TRANS_COUNT register This is a trigger register (0xc). Writing a nonzero value will reload the channel counter and start the channel. |
| 0x2e0 | CH11_AL2_CTRL | Alias for channel 11 CTRL register |
| 0x2e4 | CH11_AL2_TRANS_COUNT | Alias for channel 11 TRANS_COUNT register |
| 0x2e8 | CH11_AL2_READ_ADDR | Alias for channel 11 READ_ADDR register |
| 0x2ec | CH11_AL2_WRITE_ADDR_TRIG | Alias for channel 11 WRITE_ADDR register This is a trigger register (0xc). Writing a nonzero value will reload the channel counter and start the channel. |
| 0x2f0 | CH11_AL3_CTRL | Alias for channel 11 CTRL register |
| 0x2f4 | CH11_AL3_WRITE_ADDR | Alias for channel 11 WRITE_ADDR register |
| 0x2f8 | CH11_AL3_TRANS_COUNT | Alias for channel 11 TRANS_COUNT register |

| Offset | Name | Info |
|--------|---|---|
| 0x2fc | CH11_AL3_READ_ADDR_TRIG | Alias for channel 11 READ_ADDR register This is a trigger register (0xc). Writing a nonzero value will reload the channel counter and start the channel. |
| 0x300 | CH12_READ_ADDR | DMA Channel 12 Read Address pointer |
| 0x304 | CH12_WRITE_ADDR | DMA Channel 12 Write Address pointer |
| 0x308 | CH12_TRANS_COUNT | DMA Channel 12 Transfer Count |
| 0x30c | CH12_CTRL_TRIG | DMA Channel 12 Control and Status |
| 0x310 | CH12_AL1_CTRL | Alias for channel 12 CTRL register |
| 0x314 | CH12_AL1_READ_ADDR | Alias for channel 12 READ_ADDR register |
| 0x318 | CH12_AL1_WRITE_ADDR | Alias for channel 12 WRITE_ADDR register |
| 0x31c | CH12_AL1_TRANS_COUNT_TRIG | Alias for channel 12 TRANS_COUNT register This is a trigger register (0xc). Writing a nonzero value will reload the channel counter and start the channel. |
| 0x320 | CH12_AL2_CTRL | Alias for channel 12 CTRL register |
| 0x324 | CH12_AL2_TRANS_COUNT | Alias for channel 12 TRANS_COUNT register |
| 0x328 | CH12_AL2_READ_ADDR | Alias for channel 12 READ_ADDR register |
| 0x32c | CH12_AL2_WRITE_ADDR_TRIG | Alias for channel 12 WRITE_ADDR register This is a trigger register (0xc). Writing a nonzero value will reload the channel counter and start the channel. |
| 0x330 | CH12_AL3_CTRL | Alias for channel 12 CTRL register |
| 0x334 | CH12_AL3_WRITE_ADDR | Alias for channel 12 WRITE_ADDR register |
| 0x338 | CH12_AL3_TRANS_COUNT | Alias for channel 12 TRANS_COUNT register |
| 0x33c | CH12_AL3_READ_ADDR_TRIG | Alias for channel 12 READ_ADDR register This is a trigger register (0xc). Writing a nonzero value will reload the channel counter and start the channel. |
| 0x340 | CH13_READ_ADDR | DMA Channel 13 Read Address pointer |
| 0x344 | CH13_WRITE_ADDR | DMA Channel 13 Write Address pointer |
| 0x348 | CH13_TRANS_COUNT | DMA Channel 13 Transfer Count |
| 0x34c | CH13_CTRL_TRIG | DMA Channel 13 Control and Status |
| 0x350 | CH13_AL1_CTRL | Alias for channel 13 CTRL register |
| 0x354 | CH13_AL1_READ_ADDR | Alias for channel 13 READ_ADDR register |
| 0x358 | CH13_AL1_WRITE_ADDR | Alias for channel 13 WRITE_ADDR register |
| 0x35c | CH13_AL1_TRANS_COUNT_TRIG | Alias for channel 13 TRANS_COUNT register This is a trigger register (0xc). Writing a nonzero value will reload the channel counter and start the channel. |
| 0x360 | CH13_AL2_CTRL | Alias for channel 13 CTRL register |
| 0x364 | CH13_AL2_TRANS_COUNT | Alias for channel 13 TRANS_COUNT register |
| 0x368 | CH13_AL2_READ_ADDR | Alias for channel 13 READ_ADDR register |

| Offset | Name | Info |
|--------|---------------------------|---|
| 0x36c | CH13_AL2_WRITE_ADDR_TRIG | Alias for channel 13 WRITE_ADDR register This is a trigger register (0xc). Writing a nonzero value will reload the channel counter and start the channel. |
| 0x370 | CH13_AL3_CTRL | Alias for channel 13 CTRL register |
| 0x374 | CH13_AL3_WRITE_ADDR | Alias for channel 13 WRITE_ADDR register |
| 0x378 | CH13_AL3_TRANS_COUNT | Alias for channel 13 TRANS_COUNT register |
| 0x37c | CH13_AL3_READ_ADDR_TRIG | Alias for channel 13 READ_ADDR register This is a trigger register (0xc). Writing a nonzero value will reload the channel counter and start the channel. |
| 0x380 | CH14_READ_ADDR | DMA Channel 14 Read Address pointer |
| 0x384 | CH14_WRITE_ADDR | DMA Channel 14 Write Address pointer |
| 0x388 | CH14_TRANS_COUNT | DMA Channel 14 Transfer Count |
| 0x38c | CH14_CTRL_TRIG | DMA Channel 14 Control and Status |
| 0x390 | CH14_AL1_CTRL | Alias for channel 14 CTRL register |
| 0x394 | CH14_AL1_READ_ADDR | Alias for channel 14 READ_ADDR register |
| 0x398 | CH14_AL1_WRITE_ADDR | Alias for channel 14 WRITE_ADDR register |
| 0x39c | CH14_AL1_TRANS_COUNT_TRIG | Alias for channel 14 TRANS_COUNT register This is a trigger register (0xc). Writing a nonzero value will reload the channel counter and start the channel. |
| 0x3a0 | CH14_AL2_CTRL | Alias for channel 14 CTRL register |
| 0x3a4 | CH14_AL2_TRANS_COUNT | Alias for channel 14 TRANS_COUNT register |
| 0x3a8 | CH14_AL2_READ_ADDR | Alias for channel 14 READ_ADDR register |
| 0x3ac | CH14_AL2_WRITE_ADDR_TRIG | Alias for channel 14 WRITE_ADDR register This is a trigger register (0xc). Writing a nonzero value will reload the channel counter and start the channel. |
| 0x3b0 | CH14_AL3_CTRL | Alias for channel 14 CTRL register |
| 0x3b4 | CH14_AL3_WRITE_ADDR | Alias for channel 14 WRITE_ADDR register |
| 0x3b8 | CH14_AL3_TRANS_COUNT | Alias for channel 14 TRANS_COUNT register |
| 0x3bc | CH14_AL3_READ_ADDR_TRIG | Alias for channel 14 READ_ADDR register This is a trigger register (0xc). Writing a nonzero value will reload the channel counter and start the channel. |
| 0x3c0 | CH15_READ_ADDR | DMA Channel 15 Read Address pointer |
| 0x3c4 | CH15_WRITE_ADDR | DMA Channel 15 Write Address pointer |
| 0x3c8 | CH15_TRANS_COUNT | DMA Channel 15 Transfer Count |
| 0x3cc | CH15_CTRL_TRIG | DMA Channel 15 Control and Status |
| 0x3d0 | CH15_AL1_CTRL | Alias for channel 15 CTRL register |
| 0x3d4 | CH15_AL1_READ_ADDR | Alias for channel 15 READ_ADDR register |
| 0x3d8 | CH15_AL1_WRITE_ADDR | Alias for channel 15 WRITE_ADDR register |

| Offset | Name | Info |
|--------|---------------------------|---|
| 0x3dc | CH15_AL1_TRANS_COUNT_TRIG | Alias for channel 15 TRANS_COUNT register This is a trigger register (0xc). Writing a nonzero value will reload the channel counter and start the channel. |
| 0x3e0 | CH15_AL2_CTRL | Alias for channel 15 CTRL register |
| 0x3e4 | CH15_AL2_TRANS_COUNT | Alias for channel 15 TRANS_COUNT register |
| 0x3e8 | CH15_AL2_READ_ADDR | Alias for channel 15 READ_ADDR register |
| 0x3ec | CH15_AL2_WRITE_ADDR_TRIG | Alias for channel 15 WRITE_ADDR register This is a trigger register (0xc). Writing a nonzero value will reload the channel counter and start the channel. |
| 0x3f0 | CH15_AL3_CTRL | Alias for channel 15 CTRL register |
| 0x3f4 | CH15_AL3_WRITE_ADDR | Alias for channel 15 WRITE_ADDR register |
| 0x3f8 | CH15_AL3_TRANS_COUNT | Alias for channel 15 TRANS_COUNT register |
| 0x3fc | CH15_AL3_READ_ADDR_TRIG | Alias for channel 15 READ_ADDR register This is a trigger register (0xc). Writing a nonzero value will reload the channel counter and start the channel. |
| 0x400 | INTR | Interrupt Status (raw) |
| 0x404 | INTE0 | Interrupt Enables for IRQ 0 |
| 0x408 | INTF0 | Force Interrupts |
| 0x40c | INTS0 | Interrupt Status for IRQ 0 |
| 0x414 | INTE1 | Interrupt Enables for IRQ 1 |
| 0x418 | INTF1 | Force Interrupts |
| 0x41c | INTS1 | Interrupt Status for IRQ 1 |
| 0x424 | INTE2 | Interrupt Enables for IRQ 2 |
| 0x428 | INTF2 | Force Interrupts |
| 0x42c | INTS2 | Interrupt Status for IRQ 2 |
| 0x434 | INTE3 | Interrupt Enables for IRQ 3 |
| 0x438 | INTF3 | Force Interrupts |
| 0x43c | INTS3 | Interrupt Status for IRQ 3 |
| 0x440 | TIMER0 | Pacing timer (generate periodic TREQs) |
| 0x444 | TIMER1 | Pacing timer (generate periodic TREQs) |
| 0x448 | TIMER2 | Pacing timer (generate periodic TREQs) |
| 0x44c | TIMER3 | Pacing timer (generate periodic TREQs) |
| 0x450 | MULTI_CHAN_TRIGGER | Trigger one or more channels simultaneously |
| 0x454 | SNIFF_CTRL | Sniffer Control |
| 0x458 | SNIFF_DATA | Data accumulator for sniff hardware |
| 0x460 | FIFO_LEVELS | Debug RAF, WAF, TDF levels |
| 0x464 | CHAN_ABORT | Abort an in-progress transfer sequence on one or more channels |

| Offset | Name | Info |
|--------|-----------------------------|--|
| 0x468 | N_CHANNELS | The number of channels this DMA instance is equipped with. This DMA supports up to 16 hardware channels, but can be configured with as few as one, to minimise silicon area. |
| 0x480 | SECCFG_CH0 | Security level configuration for channel 0. |
| 0x484 | SECCFG_CH1 | Security level configuration for channel 1. |
| 0x488 | SECCFG_CH2 | Security level configuration for channel 2. |
| 0x48c | SECCFG_CH3 | Security level configuration for channel 3. |
| 0x490 | SECCFG_CH4 | Security level configuration for channel 4. |
| 0x494 | SECCFG_CH5 | Security level configuration for channel 5. |
| 0x498 | SECCFG_CH6 | Security level configuration for channel 6. |
| 0x49c | SECCFG_CH7 | Security level configuration for channel 7. |
| 0x4a0 | SECCFG_CH8 | Security level configuration for channel 8. |
| 0x4a4 | SECCFG_CH9 | Security level configuration for channel 9. |
| 0x4a8 | SECCFG_CH10 | Security level configuration for channel 10. |
| 0x4ac | SECCFG_CH11 | Security level configuration for channel 11. |
| 0x4b0 | SECCFG_CH12 | Security level configuration for channel 12. |
| 0x4b4 | SECCFG_CH13 | Security level configuration for channel 13. |
| 0x4b8 | SECCFG_CH14 | Security level configuration for channel 14. |
| 0x4bc | SECCFG_CH15 | Security level configuration for channel 15. |
| 0x4c0 | SECCFG_IRQ0 | Security configuration for IRQ 0. Control whether the IRQ permits configuration by Non-secure/Unprivileged contexts, and whether it can observe Secure/Privileged channel interrupt flags. |
| 0x4c4 | SECCFG_IRQ1 | Security configuration for IRQ 1. Control whether the IRQ permits configuration by Non-secure/Unprivileged contexts, and whether it can observe Secure/Privileged channel interrupt flags. |
| 0x4c8 | SECCFG_IRQ2 | Security configuration for IRQ 2. Control whether the IRQ permits configuration by Non-secure/Unprivileged contexts, and whether it can observe Secure/Privileged channel interrupt flags. |
| 0x4cc | SECCFG_IRQ3 | Security configuration for IRQ 3. Control whether the IRQ permits configuration by Non-secure/Unprivileged contexts, and whether it can observe Secure/Privileged channel interrupt flags. |
| 0x4d0 | SECCFG_MISC | Miscellaneous security configuration |
| 0x500 | MPU_CTRL | Control register for DMA MPU. Accessible only from a Privileged context. |
| 0x504 | MPU_BAR0 | Base address register for MPU region 0. Writable only from a Secure, Privileged context. |
| 0x508 | MPU_LAR0 | Limit address register for MPU region 0. Writable only from a Secure, Privileged context, with the exception of the P bit. |
| 0x50c | MPU_BAR1 | Base address register for MPU region 1. Writable only from a Secure, Privileged context. |

| Offset | Name | Info |
|--------|--------------------------------|---|
| 0x510 | MPU_LAR1 | Limit address register for MPU region 1. Writable only from a Secure, Privileged context, with the exception of the P bit. |
| 0x514 | MPU_BAR2 | Base address register for MPU region 2. Writable only from a Secure, Privileged context. |
| 0x518 | MPU_LAR2 | Limit address register for MPU region 2. Writable only from a Secure, Privileged context, with the exception of the P bit. |
| 0x51c | MPU_BAR3 | Base address register for MPU region 3. Writable only from a Secure, Privileged context. |
| 0x520 | MPU_LAR3 | Limit address register for MPU region 3. Writable only from a Secure, Privileged context, with the exception of the P bit. |
| 0x524 | MPU_BAR4 | Base address register for MPU region 4. Writable only from a Secure, Privileged context. |
| 0x528 | MPU_LAR4 | Limit address register for MPU region 4. Writable only from a Secure, Privileged context, with the exception of the P bit. |
| 0x52c | MPU_BAR5 | Base address register for MPU region 5. Writable only from a Secure, Privileged context. |
| 0x530 | MPU_LAR5 | Limit address register for MPU region 5. Writable only from a Secure, Privileged context, with the exception of the P bit. |
| 0x534 | MPU_BAR6 | Base address register for MPU region 6. Writable only from a Secure, Privileged context. |
| 0x538 | MPU_LAR6 | Limit address register for MPU region 6. Writable only from a Secure, Privileged context, with the exception of the P bit. |
| 0x53c | MPU_BAR7 | Base address register for MPU region 7. Writable only from a Secure, Privileged context. |
| 0x540 | MPU_LAR7 | Limit address register for MPU region 7. Writable only from a Secure, Privileged context, with the exception of the P bit. |
| 0x800 | CH0_DBG_CTDREQ | Read: get channel DREQ counter (i.e. how many accesses the DMA expects it can perform on the peripheral without overflow/underflow. Write any value: clears the counter, and cause channel to re-initiate DREQ handshake. |
| 0x804 | CH0_DBG_TCR | Read to get channel TRANS_COUNT reload value, i.e. the length of the next transfer |
| 0x840 | CH1_DBG_CTDREQ | Read: get channel DREQ counter (i.e. how many accesses the DMA expects it can perform on the peripheral without overflow/underflow. Write any value: clears the counter, and cause channel to re-initiate DREQ handshake. |
| 0x844 | CH1_DBG_TCR | Read to get channel TRANS_COUNT reload value, i.e. the length of the next transfer |
| 0x880 | CH2_DBG_CTDREQ | Read: get channel DREQ counter (i.e. how many accesses the DMA expects it can perform on the peripheral without overflow/underflow. Write any value: clears the counter, and cause channel to re-initiate DREQ handshake. |
| 0x884 | CH2_DBG_TCR | Read to get channel TRANS_COUNT reload value, i.e. the length of the next transfer |

| Offset | Name | Info |
|--------|---------------------------------|---|
| 0x8c0 | CH3_DBG_CTDREQ | Read: get channel DREQ counter (i.e. how many accesses the DMA expects it can perform on the peripheral without overflow/underflow. Write any value: clears the counter, and cause channel to re-initiate DREQ handshake. |
| 0x8c4 | CH3_DBG_TCR | Read to get channel TRANS_COUNT reload value, i.e. the length of the next transfer |
| 0x900 | CH4_DBG_CTDREQ | Read: get channel DREQ counter (i.e. how many accesses the DMA expects it can perform on the peripheral without overflow/underflow. Write any value: clears the counter, and cause channel to re-initiate DREQ handshake. |
| 0x904 | CH4_DBG_TCR | Read to get channel TRANS_COUNT reload value, i.e. the length of the next transfer |
| 0x940 | CH5_DBG_CTDREQ | Read: get channel DREQ counter (i.e. how many accesses the DMA expects it can perform on the peripheral without overflow/underflow. Write any value: clears the counter, and cause channel to re-initiate DREQ handshake. |
| 0x944 | CH5_DBG_TCR | Read to get channel TRANS_COUNT reload value, i.e. the length of the next transfer |
| 0x980 | CH6_DBG_CTDREQ | Read: get channel DREQ counter (i.e. how many accesses the DMA expects it can perform on the peripheral without overflow/underflow. Write any value: clears the counter, and cause channel to re-initiate DREQ handshake. |
| 0x984 | CH6_DBG_TCR | Read to get channel TRANS_COUNT reload value, i.e. the length of the next transfer |
| 0x9c0 | CH7_DBG_CTDREQ | Read: get channel DREQ counter (i.e. how many accesses the DMA expects it can perform on the peripheral without overflow/underflow. Write any value: clears the counter, and cause channel to re-initiate DREQ handshake. |
| 0x9c4 | CH7_DBG_TCR | Read to get channel TRANS_COUNT reload value, i.e. the length of the next transfer |
| 0xa00 | CH8_DBG_CTDREQ | Read: get channel DREQ counter (i.e. how many accesses the DMA expects it can perform on the peripheral without overflow/underflow. Write any value: clears the counter, and cause channel to re-initiate DREQ handshake. |
| 0xa04 | CH8_DBG_TCR | Read to get channel TRANS_COUNT reload value, i.e. the length of the next transfer |
| 0xa40 | CH9_DBG_CTDREQ | Read: get channel DREQ counter (i.e. how many accesses the DMA expects it can perform on the peripheral without overflow/underflow. Write any value: clears the counter, and cause channel to re-initiate DREQ handshake. |
| 0xa44 | CH9_DBG_TCR | Read to get channel TRANS_COUNT reload value, i.e. the length of the next transfer |
| 0xa80 | CH10_DBG_CTDREQ | Read: get channel DREQ counter (i.e. how many accesses the DMA expects it can perform on the peripheral without overflow/underflow. Write any value: clears the counter, and cause channel to re-initiate DREQ handshake. |

| Offset | Name | Info |
|--------|-----------------|---|
| 0xa84 | CH10_DBG_TCR | Read to get channel TRANS_COUNT reload value, i.e. the length of the next transfer |
| 0xac0 | CH11_DBG_CTDREQ | Read: get channel DREQ counter (i.e. how many accesses the DMA expects it can perform on the peripheral without overflow/underflow. Write any value: clears the counter, and cause channel to re-initiate DREQ handshake. |
| 0xac4 | CH11_DBG_TCR | Read to get channel TRANS_COUNT reload value, i.e. the length of the next transfer |
| 0xb00 | CH12_DBG_CTDREQ | Read: get channel DREQ counter (i.e. how many accesses the DMA expects it can perform on the peripheral without overflow/underflow. Write any value: clears the counter, and cause channel to re-initiate DREQ handshake. |
| 0xb04 | CH12_DBG_TCR | Read to get channel TRANS_COUNT reload value, i.e. the length of the next transfer |
| 0xb40 | CH13_DBG_CTDREQ | Read: get channel DREQ counter (i.e. how many accesses the DMA expects it can perform on the peripheral without overflow/underflow. Write any value: clears the counter, and cause channel to re-initiate DREQ handshake. |
| 0xb44 | CH13_DBG_TCR | Read to get channel TRANS_COUNT reload value, i.e. the length of the next transfer |
| 0xb80 | CH14_DBG_CTDREQ | Read: get channel DREQ counter (i.e. how many accesses the DMA expects it can perform on the peripheral without overflow/underflow. Write any value: clears the counter, and cause channel to re-initiate DREQ handshake. |
| 0xb84 | CH14_DBG_TCR | Read to get channel TRANS_COUNT reload value, i.e. the length of the next transfer |
| 0xbc0 | CH15_DBG_CTDREQ | Read: get channel DREQ counter (i.e. how many accesses the DMA expects it can perform on the peripheral without overflow/underflow. Write any value: clears the counter, and cause channel to re-initiate DREQ handshake. |
| 0xbc4 | CH15_DBG_TCR | Read to get channel TRANS_COUNT reload value, i.e. the length of the next transfer |

DMA: CH0_READ_ADDR, CH1_READ_ADDR, ..., CH14_READ_ADDR, CH15_READ_ADDR Registers

Offsets: 0x000, 0x040, ..., 0x380, 0x3c0

Description

DMA Channel N Read Address pointer

Table 1148.
CH0_READ_ADDR,
CH1_READ_ADDR, ...,
CH14_READ_ADDR,
CH15_READ_ADDR
Registers

| Bits | Description | Type | Reset |
|------|---|------|------------|
| 31:0 | This register updates automatically each time a read completes. The current value is the next address to be read by this channel. | RW | 0x00000000 |

DMA: CH0_WRITE_ADDR, CH1_WRITE_ADDR, ..., CH14_WRITE_ADDR, CH15_WRITE_ADDR Registers

Offsets: 0x004, 0x044, ..., 0x384, 0x3c4

Description

DMA Channel N Write Address pointer

Table 1149.
CH0_WRITE_ADDR,
CH1_WRITE_ADDR, ...,
CH14_WRITE_ADDR,
CH15_WRITE_ADDR
Registers

| Bits | Description | Type | Reset |
|------|---|------|------------|
| 31:0 | This register updates automatically each time a write completes. The current value is the next address to be written by this channel. | RW | 0x00000000 |

DMA: CH0_TRANS_COUNT, CH1_TRANS_COUNT, ..., CH14_TRANS_COUNT, CH15_TRANS_COUNT Registers

Offsets: 0x008, 0x048, ..., 0x388, 0x3c8

Description

DMA Channel N Transfer Count

Table 1150.
CH0_TRANS_COUNT,
CH1_TRANS_COUNT,
...,
CH14_TRANS_COUNT,
CH15_TRANS_COUNT
Registers

| Bits | Description | Type | Reset |
|-------|---|------|------------|
| 31:28 | <p>MODE: When MODE is 0x0, the transfer count decrements with each transfer until 0, and then the channel triggers the next channel indicated by CTRL_CHAIN_TO.</p> <p>When MODE is 0x1, the transfer count decrements with each transfer until 0, and then the channel re-triggers itself, in addition to the trigger indicated by CTRL_CHAIN_TO. This is useful for e.g. an endless ring-buffer DMA with periodic interrupts.</p> <p>When MODE is 0xf, the transfer count does not decrement. The DMA channel performs an endless sequence of transfers, never triggering other channels or raising interrupts, until an ABORT is raised.</p> <p>All other values are reserved.</p> | RW | 0x0 |
| | Enumerated values: | | |
| | 0x0 → NORMAL | | |
| | 0x1 → TRIGGER_SELF | | |
| | 0xf → ENDLESS | | |
| 27:0 | <p>COUNT: 28-bit transfer count (256 million transfers maximum).</p> <p>Program the number of bus transfers a channel will perform before halting. Note that, if transfers are larger than one byte in size, this is not equal to the number of bytes transferred (see CTRL_DATA_SIZE).</p> <p>When the channel is active, reading this register shows the number of transfers remaining, updating automatically each time a write transfer completes.</p> <p>Writing this register sets the RELOAD value for the transfer counter. Each time this channel is triggered, the RELOAD value is copied into the live transfer counter. The channel can be started multiple times, and will perform the same number of transfers each time, as programmed by most recent write.</p> <p>The RELOAD value can be observed at CHx_DBG_TCR. If TRANS_COUNT is used as a trigger, the written value is used immediately as the length of the new transfer sequence, as well as being written to RELOAD.</p> | RW | 0x00000000 |

DMA: CH0_CTRL_TRIG, CH1_CTRL_TRIG, ..., CH14_CTRL_TRIG, CH15_CTRL_TRIG Registers

Offsets: 0x00c, 0x04c, ..., 0x38c, 0x3cc

Description

DMA Channel *N* Control and Status

Table 1151.
CH0_CTRL_TRIG,
CH1_CTRL_TRIG, ...,
CH14_CTRL_TRIG,
CH15_CTRL_TRIG
Registers

| Bits | Description | Type | Reset |
|-------|--|------|-------|
| 31 | AHB_ERROR : Logical OR of the READ_ERROR and WRITE_ERROR flags. The channel halts when it encounters any bus error, and always raises its channel IRQ flag. | RO | 0x0 |
| 30 | READ_ERROR : If 1, the channel received a read bus error. Write one to clear. READ_ADDR shows the approximate address where the bus error was encountered (will not be earlier, or more than 3 transfers later) | WC | 0x0 |
| 29 | WRITE_ERROR : If 1, the channel received a write bus error. Write one to clear. WRITE_ADDR shows the approximate address where the bus error was encountered (will not be earlier, or more than 5 transfers later) | WC | 0x0 |
| 28:27 | Reserved. | - | - |
| 26 | BUSY : This flag goes high when the channel starts a new transfer sequence, and low when the last transfer of that sequence completes. Clearing EN while BUSY is high pauses the channel, and BUSY will stay high while paused. To terminate a sequence early (and clear the BUSY flag), see CHAN_ABORT. | RO | 0x0 |
| 25 | SNIFF_EN : If 1, this channel's data transfers are visible to the sniff hardware, and each transfer will advance the state of the checksum. This only applies if the sniff hardware is enabled, and has this channel selected. This allows checksum to be enabled or disabled on a per-control-block basis. | RW | 0x0 |
| 24 | BSWAP : Apply byte-swap transformation to DMA data. For byte data, this has no effect. For halfword data, the two bytes of each halfword are swapped. For word data, the four bytes of each word are swapped to reverse order. | RW | 0x0 |
| 23 | IRQ_QUIET : In QUIET mode, the channel does not generate IRQs at the end of every transfer block. Instead, an IRQ is raised when NULL is written to a trigger register, indicating the end of a control block chain. This reduces the number of interrupts to be serviced by the CPU when transferring a DMA chain of many small control blocks. | RW | 0x0 |
| 22:17 | TREQ_SEL : Select a Transfer Request signal. The channel uses the transfer request signal to pace its data transfer rate. Sources for TREQ signals are internal (TIMERS) or external (DREQ, a Data Request from the system). 0x0 to 0x3a → select DREQ n as TREQ | RW | 0x00 |
| | Enumerated values: | | |
| | 0x3b → TIMER0: Select Timer 0 as TREQ | | |
| | 0x3c → TIMER1: Select Timer 1 as TREQ | | |
| | 0x3d → TIMER2: Select Timer 2 as TREQ (Optional) | | |
| | 0x3e → TIMER3: Select Timer 3 as TREQ (Optional) | | |

| Bits | Description | Type | Reset |
|-------|---|------|-------|
| | 0x3f → PERMANENT: Permanent request, for unpaced transfers. | | |
| 16:13 | <p>CHAIN_TO: When this channel completes, it will trigger the channel indicated by CHAIN_TO. Disable by setting CHAIN_TO = (<i>this channel</i>).</p> <p>Note this field resets to 0, so channels 1 and above will chain to channel 0 by default. Set this field to avoid this behaviour.</p> | RW | 0x0 |
| 12 | <p>RING_SEL: Select whether RING_SIZE applies to read or write addresses. If 0, read addresses are wrapped on a (1 << RING_SIZE) boundary. If 1, write addresses are wrapped.</p> | RW | 0x0 |
| 11:8 | <p>RING_SIZE: Size of address wrap region. If 0, don't wrap. For values n > 0, only the lower n bits of the address will change. This wraps the address on a (1 << n) byte boundary, facilitating access to naturally-aligned ring buffers.</p> <p>Ring sizes between 2 and 32768 bytes are possible. This can apply to either read or write addresses, based on value of RING_SEL.</p> | RW | 0x0 |
| | Enumerated values: | | |
| | 0x0 → RING_NONE | | |
| 7 | <p>INCR_WRITE_REV: If 1, and INCR_WRITE is 1, the write address is decremented rather than incremented with each transfer.</p> <p>If 1, and INCR_WRITE is 0, this otherwise-unused combination causes the write address to be incremented by twice the transfer size, i.e. skipping over alternate addresses.</p> | RW | 0x0 |
| 6 | <p>INCR_WRITE: If 1, the write address increments with each transfer. If 0, each write is directed to the same, initial address.</p> <p>Generally this should be disabled for memory-to-peripheral transfers.</p> | RW | 0x0 |
| 5 | <p>INCR_READ_REV: If 1, and INCR_READ is 1, the read address is decremented rather than incremented with each transfer.</p> <p>If 1, and INCR_READ is 0, this otherwise-unused combination causes the read address to be incremented by twice the transfer size, i.e. skipping over alternate addresses.</p> | RW | 0x0 |
| 4 | <p>INCR_READ: If 1, the read address increments with each transfer. If 0, each read is directed to the same, initial address.</p> <p>Generally this should be disabled for peripheral-to-memory transfers.</p> | RW | 0x0 |
| 3:2 | <p>DATA_SIZE: Set the size of each bus transfer (byte/halfword/word). READ_ADDR and WRITE_ADDR advance by this amount (1/2/4 bytes) with each transfer.</p> | RW | 0x0 |
| | Enumerated values: | | |
| | 0x0 → SIZE_BYTE | | |
| | 0x1 → SIZE_HALFWORD | | |
| | 0x2 → SIZE_WORD | | |

| Bits | Description | Type | Reset |
|------|---|------|-------|
| 1 | <p>HIGH_PRIORITY: HIGH_PRIORITY gives a channel preferential treatment in issue scheduling: in each scheduling round, all high priority channels are considered first, and then only a single low priority channel, before returning to the high priority channels.</p> <p>This only affects the order in which the DMA schedules channels. The DMA's bus priority is not changed. If the DMA is not saturated then a low priority channel will see no loss of throughput.</p> | RW | 0x0 |
| 0 | <p>EN: DMA Channel Enable.</p> <p>When 1, the channel will respond to triggering events, which will cause it to become BUSY and start transferring data. When 0, the channel will ignore triggers, stop issuing transfers, and pause the current transfer sequence (i.e. BUSY will remain high if already high)</p> | RW | 0x0 |

DMA: CH0_AL1_CTRL, CH1_AL1_CTRL, ..., CH14_AL1_CTRL, CH15_AL1_CTRL Registers

Offsets: 0x010, 0x050, ..., 0x390, 0x3d0

Table 1152.
CH0_AL1_CTRL,
CH1_AL1_CTRL, ...,
CH14_AL1_CTRL,
CH15_AL1_CTRL
Registers

| Bits | Description | Type | Reset |
|------|-----------------------------------|------|-------|
| 31:0 | Alias for channel N CTRL register | RW | - |

DMA: CH0_AL1_READ_ADDR, CH1_AL1_READ_ADDR, ..., CH14_AL1_READ_ADDR, CH15_AL1_READ_ADDR Registers

Offsets: 0x014, 0x054, ..., 0x394, 0x3d4

Table 1153.
CH0_AL1_READ_ADDR
,
CH1_AL1_READ_ADDR
, ...,
CH14_AL1_READ_ADDR
,
CH15_AL1_READ_ADDR
Registers

| Bits | Description | Type | Reset |
|------|--|------|-------|
| 31:0 | Alias for channel N READ_ADDR register | RW | - |

DMA: CH0_AL1_WRITE_ADDR, CH1_AL1_WRITE_ADDR, ..., CH14_AL1_WRITE_ADDR, CH15_AL1_WRITE_ADDR Registers

Offsets: 0x018, 0x058, ..., 0x398, 0x3d8

Table 1154.
CH0_AL1_WRITE_ADDR
,
CH1_AL1_WRITE_ADDR
, ...,
CH14_AL1_WRITE_ADDR
,
CH15_AL1_WRITE_ADDR
Registers

| Bits | Description | Type | Reset |
|------|---|------|-------|
| 31:0 | Alias for channel N WRITE_ADDR register | RW | - |

DMA: CH0_AL1_TRANS_COUNT_TRIG, CH1_AL1_TRANS_COUNT_TRIG, ..., CH14_AL1_TRANS_COUNT_TRIG, CH15_AL1_TRANS_COUNT_TRIG Registers

Offsets: 0x01c, 0x05c, ..., 0x39c, 0x3dc

Table 1155.
CH0_AL1_TRANS_COUNT_TRIG,
CH1_AL1_TRANS_COUNT_TRIG, ...,
CH14_AL1_TRANS_COUNT_TRIG,
CH15_AL1_TRANS_COUNT_TRIG
Registers

| Bits | Description | Type | Reset |
|------|---|------|-------|
| 31:0 | <p>Alias for channel N TRANS_COUNT register</p> <p>This is a trigger register (0xc). Writing a nonzero value will reload the channel counter and start the channel.</p> | RW | - |

DMA: CH0_AL2_CTRL, CH1_AL2_CTRL, ..., CH14_AL2_CTRL, CH15_AL2_CTRL Registers

Offsets: 0x020, 0x060, ..., 0x3a0, 0x3e0

Table 1156.
CH0_AL2_CTRL,
CH1_AL2_CTRL, ...,
CH14_AL2_CTRL,
CH15_AL2_CTRL
Registers

| Bits | Description | Type | Reset |
|------|-----------------------------------|------|-------|
| 31:0 | Alias for channel N CTRL register | RW | - |

DMA: CH0_AL2_TRANS_COUNT, CH1_AL2_TRANS_COUNT, ..., CH14_AL2_TRANS_COUNT, CH15_AL2_TRANS_COUNT Registers

Offsets: 0x024, 0x064, ..., 0x3a4, 0x3e4

Table 1157.
CH0_AL2_TRANS_CO
UNT,
CH1_AL2_TRANS_CO
UNT, ...,
CH14_AL2_TRANS_CO
UNT,
CH15_AL2_TRANS_CO
UNT Registers

| Bits | Description | Type | Reset |
|------|--|------|-------|
| 31:0 | Alias for channel N TRANS_COUNT register | RW | - |

DMA: CH0_AL2_READ_ADDR, CH1_AL2_READ_ADDR, ..., CH14_AL2_READ_ADDR, CH15_AL2_READ_ADDR Registers

Offsets: 0x028, 0x068, ..., 0x3a8, 0x3e8

Table 1158.
CH0_AL2_READ_ADDR
,
CH1_AL2_READ_ADDR
, ...,
CH14_AL2_READ_ADD
R,
CH15_AL2_READ_ADD
R Registers

| Bits | Description | Type | Reset |
|------|--|------|-------|
| 31:0 | Alias for channel N READ_ADDR register | RW | - |

DMA: CH0_AL2_WRITE_ADDR_TRIG, CH1_AL2_WRITE_ADDR_TRIG, ..., CH14_AL2_WRITE_ADDR_TRIG, CH15_AL2_WRITE_ADDR_TRIG Registers

Offsets: 0x02c, 0x06c, ..., 0x3ac, 0x3ec

Table 1159.
CH0_AL2_WRITE_ADD
R_TRIG,
CH1_AL2_WRITE_ADD
R_TRIG, ...,
CH14_AL2_WRITE_AD
DR_TRIG,
CH15_AL2_WRITE_AD
DR_TRIG Registers

| Bits | Description | Type | Reset |
|------|---|------|-------|
| 31:0 | Alias for channel N WRITE_ADDR register This is a trigger register (0xc). Writing a nonzero value will reload the channel counter and start the channel. | RW | - |

DMA: CH0_AL3_CTRL, CH1_AL3_CTRL, ..., CH14_AL3_CTRL, CH15_AL3_CTRL Registers

Offsets: 0x030, 0x070, ..., 0x3b0, 0x3f0

Table 1160.
CH0_AL3_CTRL,
CH1_AL3_CTRL, ...,
CH14_AL3_CTRL,
CH15_AL3_CTRL
Registers

| Bits | Description | Type | Reset |
|------|-----------------------------------|------|-------|
| 31:0 | Alias for channel N CTRL register | RW | - |

DMA: CH0_AL3_WRITE_ADDR, CH1_AL3_WRITE_ADDR, ..., CH14_AL3_WRITE_ADDR, CH15_AL3_WRITE_ADDR Registers

Offsets: 0x034, 0x074, ..., 0x3b4, 0x3f4

Table 1161.
CH0_AL3_WRITE_ADD
R,
CH1_AL3_WRITE_ADD
R, ...,
CH14_AL3_WRITE_AD
DR,
CH15_AL3_WRITE_AD
DR Registers

| Bits | Description | Type | Reset |
|------|---|------|-------|
| 31:0 | Alias for channel N WRITE_ADDR register | RW | - |

DMA: CH0_AL3_TRANS_COUNT, CH1_AL3_TRANS_COUNT, ..., CH14_AL3_TRANS_COUNT, CH15_AL3_TRANS_COUNT Registers

Offsets: 0x038, 0x078, ..., 0x3b8, 0x3f8

Table 1162.
 CH0_AL3_TRANS_COUNT,
 CH1_AL3_TRANS_COUNT,
 ...,
 CH14_AL3_TRANS_COUNT,
 CH15_AL3_TRANS_COUNT Registers

| Bits | Description | Type | Reset |
|------|--|------|-------|
| 31:0 | Alias for channel N TRANS_COUNT register | RW | - |

DMA: CH0_AL3_READ_ADDR_TRIG, CH1_AL3_READ_ADDR_TRIG, ..., CH14_AL3_READ_ADDR_TRIG, CH15_AL3_READ_ADDR_TRIG Registers

Offsets: 0x03c, 0x07c, ..., 0x3bc, 0x3fc

Table 1163.
 CH0_AL3_READ_ADDR_TRIG,
 CH1_AL3_READ_ADDR_TRIG, ...,
 CH14_AL3_READ_ADDR_TRIG,
 CH15_AL3_READ_ADDR_TRIG Registers

| Bits | Description | Type | Reset |
|------|--|------|-------|
| 31:0 | Alias for channel N READ_ADDR register This is a trigger register (0xc). Writing a nonzero value will reload the channel counter and start the channel. | RW | - |

DMA: INTR Register

Offset: 0x400

Description

Interrupt Status (raw)

Table 1164. INTR Register

| Bits | Description | Type | Reset |
|-------|---|------|--------|
| 31:16 | Reserved. | - | - |
| 15:0 | Raw interrupt status for DMA Channels 0..15. Bit n corresponds to channel n. Ignores any masking or forcing. Channel interrupts can be cleared by writing a bit mask to INTR or INTS0/1/2/3. Channel interrupts can be routed to either of four system-level IRQs based on INTE0, INTE1, INTE2 and INTE3. The multiple system-level interrupts might be used to allow NVIC IRQ preemption for more time-critical channels, to spread IRQ load across different cores, or to target IRQs to different security domains. It is also valid to ignore the multiple IRQs, and just use INTE0/INTS0/IRQ 0. If this register is accessed at a security/privilege level less than that of a given channel (as defined by that channel's SECCFG_CHx register), then that channel's interrupt status will read as 0, ignore writes. | WC | 0x0000 |

DMA: INTE0 Register

Offset: 0x404

Description

Interrupt Enables for IRQ 0

Table 1165. INTE0 Register

| Bits | Description | Type | Reset |
|-------|---|------|--------|
| 31:16 | Reserved. | - | - |
| 15:0 | Set bit n to pass interrupts from channel n to DMA IRQ 0. Note this bit has no effect if the channel security/privilege level, defined by SECCFG_CHx, is greater than the IRQ security/privilege defined by SECCFG_IRQ0. | RW | 0x0000 |

DMA: INTF0 Register

Offset: 0x408

Description

Force Interrupts

Table 1166. INTF0 Register

| Bits | Description | Type | Reset |
|-------|---|------|--------|
| 31:16 | Reserved. | - | - |
| 15:0 | Write 1s to force the corresponding bits in INTS0. The interrupt remains asserted until INTF0 is cleared. | RW | 0x0000 |

DMA: INTS0 Register

Offset: 0x40c

Description

Interrupt Status for IRQ 0

Table 1167. INTS0 Register

| Bits | Description | Type | Reset |
|-------|---|------|--------|
| 31:16 | Reserved. | - | - |
| 15:0 | Indicates active channel interrupt requests which are currently causing IRQ 0 to be asserted. Channel interrupts can be cleared by writing a bit mask here. Channels with a security/privilege (SECCFG_CHx) greater SECCFG_IRQ0) read as 0 in this register, and ignore writes. | WC | 0x0000 |

DMA: INTE1 Register

Offset: 0x414

Description

Interrupt Enables for IRQ 1

Table 1168. INTE1 Register

| Bits | Description | Type | Reset |
|-------|---|------|--------|
| 31:16 | Reserved. | - | - |
| 15:0 | Set bit n to pass interrupts from channel n to DMA IRQ 1. Note this bit has no effect if the channel security/privilege level, defined by SECCFG_CHx, is greater than the IRQ security/privilege defined by SECCFG_IRQ1. | RW | 0x0000 |

DMA: INTF1 Register

Offset: 0x418

Description

Force Interrupts

Table 1169. INTF1 Register

| Bits | Description | Type | Reset |
|-------|---|------|--------|
| 31:16 | Reserved. | - | - |
| 15:0 | Write 1s to force the corresponding bits in INTS1. The interrupt remains asserted until INTF1 is cleared. | RW | 0x0000 |

DMA: INTS1 Register

Offset: 0x41c

Description

Interrupt Status for IRQ 1

Table 1170. INTS1 Register

| Bits | Description | Type | Reset |
|-------|---|------|--------|
| 31:16 | Reserved. | - | - |
| 15:0 | Indicates active channel interrupt requests which are currently causing IRQ 1 to be asserted. Channel interrupts can be cleared by writing a bit mask here. Channels with a security/privilege (SECCFG_CHx) greater SECCFG_IRQ1) read as 0 in this register, and ignore writes. | WC | 0x0000 |

DMA: INTE2 Register

Offset: 0x424

Description

Interrupt Enables for IRQ 2

Table 1171. INTE2 Register

| Bits | Description | Type | Reset |
|-------|---|------|--------|
| 31:16 | Reserved. | - | - |
| 15:0 | Set bit n to pass interrupts from channel n to DMA IRQ 2. Note this bit has no effect if the channel security/privilege level, defined by SECCFG_CHx, is greater than the IRQ security/privilege defined by SECCFG_IRQ2. | RW | 0x0000 |

DMA: INTF2 Register

Offset: 0x428

Description

Force Interrupts

Table 1172. INTF2 Register

| Bits | Description | Type | Reset |
|-------|---|------|--------|
| 31:16 | Reserved. | - | - |
| 15:0 | Write 1s to force the corresponding bits in INTS2. The interrupt remains asserted until INTF2 is cleared. | RW | 0x0000 |

DMA: INTS2 Register

Offset: 0x42c

Description

Interrupt Status for IRQ 2

Table 1173. INTS2 Register

| Bits | Description | Type | Reset |
|-------|---|------|--------|
| 31:16 | Reserved. | - | - |
| 15:0 | Indicates active channel interrupt requests which are currently causing IRQ 2 to be asserted. Channel interrupts can be cleared by writing a bit mask here. Channels with a security/privilege (SECCFG_CHx) greater SECCFG_IRQ2) read as 0 in this register, and ignore writes. | WC | 0x0000 |

DMA: INTE3 Register

Offset: 0x434

Description

Interrupt Enables for IRQ 3

Table 1174. INTF3 Register

| Bits | Description | Type | Reset |
|-------|---|------|--------|
| 31:16 | Reserved. | - | - |
| 15:0 | Set bit n to pass interrupts from channel n to DMA IRQ 3. Note this bit has no effect if the channel security/privilege level, defined by SECCFG_CHx, is greater than the IRQ security/privilege defined by SECCFG_IRQ3. | RW | 0x0000 |

DMA: INTF3 Register

Offset: 0x438

Description

Force Interrupts

Table 1175. INTF3 Register

| Bits | Description | Type | Reset |
|-------|---|------|--------|
| 31:16 | Reserved. | - | - |
| 15:0 | Write 1s to force the corresponding bits in INTS3. The interrupt remains asserted until INTF3 is cleared. | RW | 0x0000 |

DMA: INTS3 Register

Offset: 0x43c

Description

Interrupt Status for IRQ 3

Table 1176. INTS3 Register

| Bits | Description | Type | Reset |
|-------|---|------|--------|
| 31:16 | Reserved. | - | - |
| 15:0 | Indicates active channel interrupt requests which are currently causing IRQ 3 to be asserted. Channel interrupts can be cleared by writing a bit mask here. Channels with a security/privilege (SECCFG_CHx) greater SECCFG_IRQ3) read as 0 in this register, and ignore writes. | WC | 0x0000 |

DMA: TIMER0, TIMER1, TIMER2, TIMER3 Registers

Offsets: 0x440, 0x444, 0x448, 0x44c

Description

Pacing (X/Y) fractional timer

The pacing timer produces TREQ assertions at a rate set by $((X/Y) * \text{sys_clk})$. This equation is evaluated every sys_clk cycles and therefore can only generate TREQs at a rate of 1 per sys_clk (i.e. permanent TREQ) or less.

Table 1177. TIMER0, TIMER1, TIMER2, TIMER3 Registers

| Bits | Description | Type | Reset |
|-------|---|------|--------|
| 31:16 | X : Pacing Timer Dividend. Specifies the X value for the (X/Y) fractional timer. | RW | 0x0000 |
| 15:0 | Y : Pacing Timer Divisor. Specifies the Y value for the (X/Y) fractional timer. | RW | 0x0000 |

DMA: MULTI_CHAN_TRIGGER Register

Offset: 0x450

Description

Trigger one or more channels simultaneously

Table 1178.
MULTI_CHAN_TRIGGER Register

| Bits | Description | Type | Reset |
|-------|--|------|--------|
| 31:16 | Reserved. | - | - |
| 15:0 | Each bit in this register corresponds to a DMA channel. Writing a 1 to the relevant bit is the same as writing to that channel's trigger register; the channel will start if it is currently enabled and not already busy. | SC | 0x0000 |

DMA: SNIFF_CTRL Register

Offset: 0x454

Description

Sniffer Control

Table 1179.
SNIFF_CTRL Register

| Bits | Description | Type | Reset |
|-------|--|------|-------|
| 31:12 | Reserved. | - | - |
| 11 | OUT_INV : If set, the result appears inverted (bitwise complement) when read. This does not affect the way the checksum is calculated; the result is transformed on-the-fly between the result register and the bus. | RW | 0x0 |
| 10 | OUT_REV : If set, the result appears bit-reversed when read. This does not affect the way the checksum is calculated; the result is transformed on-the-fly between the result register and the bus. | RW | 0x0 |
| 9 | BSWAP : Locally perform a byte reverse on the sniffed data, before feeding into checksum. Note that the sniff hardware is downstream of the DMA channel byteswap performed in the read master: if channel CTRL_BSWAP and SNIFF_CTRL_BSWAP are both enabled, their effects cancel from the sniffer's point of view. | RW | 0x0 |
| 8:5 | CALC | RW | 0x0 |
| | Enumerated values: | | |
| | 0x0 → CRC32: Calculate a CRC-32 (IEEE802.3 polynomial) | | |
| | 0x1 → CRC32R: Calculate a CRC-32 (IEEE802.3 polynomial) with bit reversed data | | |
| | 0x2 → CRC16: Calculate a CRC-16-CCITT | | |
| | 0x3 → CRC16R: Calculate a CRC-16-CCITT with bit reversed data | | |
| | 0xe → EVEN: XOR reduction over all data. == 1 if the total 1 population count is odd. | | |
| | 0xf → SUM: Calculate a simple 32-bit checksum (addition with a 32 bit accumulator) | | |
| 4:1 | DMACH : DMA channel for Sniffer to observe | RW | 0x0 |
| 0 | EN : Enable sniffer | RW | 0x0 |

DMA: SNIFF_DATA Register

Offset: 0x458

Description

Data accumulator for sniff hardware

Table 1180.
SNIFF_DATA Register

| Bits | Description | Type | Reset |
|------|--|------|------------|
| 31:0 | Write an initial seed value here before starting a DMA transfer on the channel indicated by SNIFF_CTRL_DMACH. The hardware will update this register each time it observes a read from the indicated channel. Once the channel completes, the final result can be read from this register. | RW | 0x00000000 |

DMA: FIFO_LEVELS Register

Offset: 0x460

Description

Debug RAF, WAF, TDF levels

Table 1181.
FIFO_LEVELS Register

| Bits | Description | Type | Reset |
|-------|--|------|-------|
| 31:24 | Reserved. | - | - |
| 23:16 | RAF_LVL : Current Read-Address-FIFO fill level | RO | 0x00 |
| 15:8 | WAF_LVL : Current Write-Address-FIFO fill level | RO | 0x00 |
| 7:0 | TDF_LVL : Current Transfer-Data-FIFO fill level | RO | 0x00 |

DMA: CHAN_ABORT Register

Offset: 0x464

Description

Abort an in-progress transfer sequence on one or more channels

Table 1182.
CHAN_ABORT Register

| Bits | Description | Type | Reset |
|-------|--|------|--------|
| 31:16 | Reserved. | - | - |
| 15:0 | Each bit corresponds to a channel. Writing a 1 aborts whatever transfer sequence is in progress on that channel. The bit will remain high until any in-flight transfers have been flushed through the address and data FIFOs. After writing, this register must be polled until it returns all-zero. Until this point, it is unsafe to restart the channel. | SC | 0x0000 |

DMA: N_CHANNELS Register

Offset: 0x468

Table 1183.
N_CHANNELS Register

| Bits | Description | Type | Reset |
|------|--|------|-------|
| 31:5 | Reserved. | - | - |
| 4:0 | The number of channels this DMA instance is equipped with. This DMA supports up to 16 hardware channels, but can be configured with as few as one, to minimise silicon area. | RO | - |

DMA: SECCFG_CH0, SECCFG_CH1, ..., SECCFG_CH14, SECCFG_CH15 Registers

Offsets: 0x480, 0x484, ..., 0x4b8, 0x4bc

Description

Security configuration for channel *N*. Control whether this channel performs Secure/Non-secure and Privileged/Unprivileged bus accesses.

If this channel generates bus accesses of some security level, an access of at least that level (in the order S+P > S+U > NS+P > NS+U) is required to program, trigger, abort, check the status of, interrupt on or acknowledge the interrupt of this channel.

This register automatically locks down (becomes read-only) once software starts to configure the channel.

This register is world-readable, but is writable only from a Secure, Privileged context.

Table 1184.
SECCFG_CH0,
SECCFG_CH1, ...,
SECCFG_CH14,
SECCFG_CH15
Registers

| Bits | Description | Type | Reset |
|------|---|------|-------|
| 31:3 | Reserved. | - | - |
| 2 | <p>LOCK: LOCK is 0 at reset, and is set to 1 automatically upon a successful write to this channel's control registers. That is, a write to CTRL, READ_ADDR, WRITE_ADDR, TRANS_COUNT and their aliases.</p> <p>Once its LOCK bit is set, this register becomes read-only.</p> <p>A failed write, for example due to the write's privilege being lower than that specified in the channel's SECCFG register, will not set the LOCK bit.</p> | RW | 0x0 |
| 1 | <p>S: Secure channel. If 1, this channel performs Secure bus accesses. If 0, it performs Non-secure bus accesses.</p> <p>If 1, this channel is controllable only from a Secure context.</p> | RW | 0x1 |
| 0 | <p>P: Privileged channel. If 1, this channel performs Privileged bus accesses. If 0, it performs Unprivileged bus accesses.</p> <p>If 1, this channel is controllable only from a Privileged context of the same Secure/Non-secure level, or any context of a higher Secure/Non-secure level.</p> | RW | 0x1 |

DMA: SECCFG_IRQ0, SECCFG_IRQ1, SECCFG_IRQ2, SECCFG_IRQ3 Registers

Offsets: 0x4c0, 0x4c4, 0x4c8, 0x4cc

Description

Security configuration for IRQ *N*. Control whether the IRQ permits configuration by Non-secure/Unprivileged contexts, and whether it can observe Secure/Privileged channel interrupt flags.

Table 1185.
SECCFG_IRQ0,
SECCFG_IRQ1,
SECCFG_IRQ2,
SECCFG_IRQ3
Registers

| Bits | Description | Type | Reset |
|------|---|------|-------|
| 31:2 | Reserved. | - | - |
| 1 | <p>S: Secure IRQ. If 1, this IRQ's control registers can only be accessed from a Secure context.</p> <p>If 0, this IRQ's control registers can be accessed from a Non-secure context, but Secure channels (as per SECCFG_CHx) are masked from the IRQ status, and this IRQ's registers can not be used to acknowledge the channel interrupts of Secure channels.</p> | RW | 0x1 |

| Bits | Description | Type | Reset |
|------|--|------|-------|
| 0 | <p>P: Privileged IRQ. If 1, this IRQ's control registers can only be accessed from a Privileged context.</p> <p>If 0, this IRQ's control registers can be accessed from an Unprivileged context, but Privileged channels (as per SECCFG_CHx) are masked from the IRQ status, and this IRQ's registers can not be used to acknowledge the channel interrupts of Privileged channels.</p> | RW | 0x1 |

DMA: SECCFG_MISC Register

Offset: 0x4d0

Description

Miscellaneous security configuration

Table 1186.
SECCFG_MISC
Register

| Bits | Description | Type | Reset |
|-------|---|------|-------|
| 31:10 | Reserved. | - | - |
| 9 | TIMER3_S: If 1, the TIMER3 register is only accessible from a Secure context, and timer DREQ 3 is only visible to Secure channels. | RW | 0x1 |
| 8 | TIMER3_P: If 1, the TIMER3 register is only accessible from a Privileged (or more Secure) context, and timer DREQ 3 is only visible to Privileged (or more Secure) channels. | RW | 0x1 |
| 7 | TIMER2_S: If 1, the TIMER2 register is only accessible from a Secure context, and timer DREQ 2 is only visible to Secure channels. | RW | 0x1 |
| 6 | TIMER2_P: If 1, the TIMER2 register is only accessible from a Privileged (or more Secure) context, and timer DREQ 2 is only visible to Privileged (or more Secure) channels. | RW | 0x1 |
| 5 | TIMER1_S: If 1, the TIMER1 register is only accessible from a Secure context, and timer DREQ 1 is only visible to Secure channels. | RW | 0x1 |
| 4 | TIMER1_P: If 1, the TIMER1 register is only accessible from a Privileged (or more Secure) context, and timer DREQ 1 is only visible to Privileged (or more Secure) channels. | RW | 0x1 |
| 3 | TIMER0_S: If 1, the TIMER0 register is only accessible from a Secure context, and timer DREQ 0 is only visible to Secure channels. | RW | 0x1 |
| 2 | TIMER0_P: If 1, the TIMER0 register is only accessible from a Privileged (or more Secure) context, and timer DREQ 0 is only visible to Privileged (or more Secure) channels. | RW | 0x1 |
| 1 | <p>SNIFF_S: If 1, the sniffer can see data transfers from Secure channels, and can itself only be accessed from a Secure context.</p> <p>If 0, the sniffer can be accessed from either a Secure or Non-secure context, but can not see data transfers of Secure channels.</p> | RW | 0x1 |
| 0 | <p>SNIFF_P: If 1, the sniffer can see data transfers from Privileged channels, and can itself only be accessed from a privileged context, or from a Secure context when SNIFF_S is 0.</p> <p>If 0, the sniffer can be accessed from either a Privileged or Unprivileged context (with sufficient security level) but can not see transfers from Privileged channels.</p> | RW | 0x1 |

DMA: MPU_CTRL Register

Offset: 0x500

Description

Control register for DMA MPU. Accessible only from a Privileged context.

Table 1187.
MPU_CTRL Register

| Bits | Description | Type | Reset |
|------|--|------|-------|
| 31:4 | Reserved. | - | - |
| 3 | NS_HIDE_ADDR : By default, when a region's S bit is clear, Non-secure-Privileged reads can see the region's base address and limit address. Set this bit to make the addresses appear as 0 to Non-secure reads, even when the region is Non-secure, to avoid leaking information about the processor SAU map. | RW | 0x0 |
| 2 | S : Determine whether an address not covered by an active MPU region is Secure (1) or Non-secure (0) | RW | 0x0 |
| 1 | P : Determine whether an address not covered by an active MPU region is Privileged (1) or Unprivileged (0) | RW | 0x0 |
| 0 | Reserved. | - | - |

DMA: MPU_BAR0, MPU_BAR1, ..., MPU_BAR6, MPU_BAR7 Registers

Offsets: 0x504, 0x50c, ..., 0x534, 0x53c

Description

Base address register for MPU region *N*. Writable only from a Secure, Privileged context.

Table 1188.
MPU_BAR0,
MPU_BAR1, ...,
MPU_BAR6,
MPU_BAR7 Registers

| Bits | Description | Type | Reset |
|------|---|------|-----------|
| 31:5 | ADDR : This MPU region matches addresses where <code>addr[31:5]</code> (the 27 most significant bits) are greater than or equal to <code>BAR_ADDR</code> , and less than or equal to <code>LAR_ADDR</code> . Readable from any Privileged context, if and only if this region's S bit is clear, and <code>MPU_CTRL_NS_HIDE_ADDR</code> is clear. Otherwise readable only from a Secure, Privileged context. | RW | 0x0000000 |
| 4:0 | Reserved. | - | - |

DMA: MPU_LAR0, MPU_LAR1, ..., MPU_LAR6, MPU_LAR7 Registers

Offsets: 0x508, 0x510, ..., 0x538, 0x540

Description

Limit address register for MPU region *N*. Writable only from a Secure, Privileged context, with the exception of the P bit.

Table 1189.
MPU_LAR0,
MPU_LAR1, ...,
MPU_LAR6,
MPU_LAR7 Registers

| Bits | Description | Type | Reset |
|------|---|------|-----------|
| 31:5 | ADDR : Limit address bits 31:5. Readable from any Privileged context, if and only if this region's S bit is clear, and <code>MPU_CTRL_NS_HIDE_ADDR</code> is clear. Otherwise readable only from a Secure, Privileged context. | RW | 0x0000000 |
| 4:3 | Reserved. | - | - |

| Bits | Description | Type | Reset |
|------|--|------|-------|
| 2 | S : Determines the Secure/Non-secure (=1/0) status of addresses matching this region, if this region is enabled. | RW | 0x0 |
| 1 | P : Determines the Privileged/Unprivileged (=1/0) status of addresses matching this region, if this region is enabled. Writable from any Privileged context, if and only if the S bit is clear. Otherwise, writable only from a Secure, Privileged context. | RW | 0x0 |
| 0 | EN : Region enable. If 1, any address within range specified by the base address (BAR_ADDR) and limit address (LAR_ADDR) has the attributes specified by S and P. | RW | 0x0 |

DMA: CH0_DBG_CTDREQ, CH1_DBG_CTDREQ, ..., CH14_DBG_CTDREQ, CH15_DBG_CTDREQ Registers

Offsets: 0x800, 0x840, ..., 0xb80, 0xbc0

Table 1190.
CH0_DBG_CTDREQ,
CH1_DBG_CTDREQ, ...,
CH14_DBG_CTDREQ,
CH15_DBG_CTDREQ
Registers

| Bits | Description | Type | Reset |
|------|---|------|-------|
| 31:6 | Reserved. | - | - |
| 5:0 | Read: get channel DREQ counter (i.e. how many accesses the DMA expects it can perform on the peripheral without overflow/underflow. Write any value: clears the counter, and cause channel to re-initiate DREQ handshake. | WC | 0x00 |

DMA: CH0_DBG_TCR, CH1_DBG_TCR, ..., CH14_DBG_TCR, CH15_DBG_TCR Registers

Offsets: 0x804, 0x844, ..., 0xb84, 0xbc4

Table 1191.
CH0_DBG_TCR,
CH1_DBG_TCR, ...,
CH14_DBG_TCR,
CH15_DBG_TCR
Registers

| Bits | Description | Type | Reset |
|------|--|------|------------|
| 31:0 | Read to get channel TRANS_COUNT reload value, i.e. the length of the next transfer | RO | 0x00000000 |

12.7. USB

12.7.1. Overview

i NOTE

Prerequisite knowledge required

This section requires knowledge of the USB protocol. If you aren't yet familiar with the USB protocol, we recommend the archive of the very useful [USB Made Simple](#) website. For formal definitions of the terminology used in this section, see the [USB 2.0 Specification](#).

RP2350 contains a USB 2.0 controller that can operate as either:

- a Full Speed (FS) device (12 Mb/s)
- a host that can communicate with both Low Speed (LS) (1.5 Mb/s) and Full Speed devices, including multiple downstream devices connected to a USB hub

There is an integrated USB 1.1 PHY which interfaces the USB controller with the **DP** and **DM** pins of the chip. You may use this as 3.3 V GPIO when the USB controller is not in use.

12.7.1.1. Features

The USB controller hardware handles the low level USB protocol. The programmer must configure the controller, provide data buffers, and consume or provide data buffers in response to events on the bus. The controller interrupts the processor when it needs attention. The USB controller has 4 kB of dual-port SRAM (DPSRAM) used for configuration and data buffers.

12.7.1.1.1. Device Mode

In Device Mode, the USB controller has the following characteristics:

- USB 2.0-compatible Full Speed device (12 Mb/s)
- Supports up to 32 endpoints (Endpoints 0 → 15 in both in and out directions)
- Supports Control, Isochronous (ISO), Bulk, and Interrupt endpoint types
- Supports double buffering
- 3840 bytes of usable buffer space in DPSRAM. This is equivalent to 60 × 64-byte buffers

12.7.1.1.2. Host Mode

In Host Mode, the USB controller can:

- communicate with Full Speed (12 Mb/s) devices and Low Speed devices (1.5 Mb/s)
- communicate with multiple devices via a USB hub, including Low Speed devices connected to a Full Speed hub
- poll up to 15 interrupt endpoints in hardware (used by hubs to notify the host of connect/disconnect events, used by mice to notify the host of movement, etc.)

12.7.1.1.3. USB DPRAM

The USB controller uses 4 kB of dual-port SRAM (DPSRAM) to exchange data and control information with the controller. This is also referred to as dual-port RAM (DPRAM). One port is accessible from the system bus, clocked by `clk_sys`. The other port is accessible from the controller, clocked by `clk_usb`. The DPRAM is mapped in the system address space starting from `0x50100000`, `USBCTRL_DPRAM_BASE`.

The USB DPRAM supports 32-bit, 16-bit and 8-bit reads and writes. Writes complete in one cycle. Reads complete in two cycles.

You can store general user data in USB DPRAM space not required for USB controller operation. When the controller is disabled, all 4 kB of DPRAM is available. Before accessing the DPRAM, you must take the USB controller out of reset.

Since the USB controller is in the peripheral address space, it is not accessible for processor instruction fetch. Attempting to fetch instructions from USB DPRAM unconditionally returns a bus error response, no matter the configuration of the processor SAU/MPU/PMP or the system ACCESSCTRL registers.

As peripheral addresses are marked Exempt in the IDAU (Section 10.2.2), the SAU configuration for this address range is ignored. Accesses to USB DPRAM are controlled only by the processor MPU/PMP and the ACCESSCTRL `USBCTRL` register.

12.7.2. Changes from RP2040

All changes from RP2040 are a superset of the RP2040 features. Existing software for the RP2040 USB controller will continue to work with one exception: you must clear the `MAIN_CTRL.PHY_ISO` bit at startup and after power down events. We recommend leaving the `LINESTATE_TUNING` register at its reset value. Software should not clear this register.

12.7.2.1. Errata fixes

RP2350 fixes all RP2040 USB errata. This includes fixes for the following RP2040B0 and B1 errata which are also fixed by RP2040B2:

- RP2040-E2: USB device endpoint abort is not cleared
- RP2040-E5: USB device fails to exit RESET state on busy USB bus

For more information about RP2040B2, see the RP2040 datasheet.

RP2350 fixes the following RP2040B2 errata, which require software workarounds on RP2040B2:

- RP2040-E3: USB host: interrupt endpoint buffer done flag can be set with incorrect buffer select
- RP2040-E4: USB host writes to upper half of buffer status in single buffered mode
- RP2040-E15: USB Device controller will hang if certain bus errors occur during an IN transfer (see [Section 12.7.2.2.4](#))

12.7.2.2. New features

12.7.2.2.1. General

- The USB PHY **DP** and **DM** can be used as regular GPIO pins. See the GPIO muxing [Table 646](#) in [Section 9.4](#).
- A **MAIN_CTRL.PHY_ISO** control isolates the PHY from the switched core power domain while the switched core domain is powered down. The isolation control resets to 1, meaning the **MAIN_CTRL.PHY_ISO** bit needs to be cleared before the PHY can be used. For more information on isolation, see [Chapter 9](#).
- **SIE_CTRL.PULLDOWN_EN** defaults to a 1 to match the reset state of isolation latches in the USB PHY. Pulling the **DP** and **DM** pins down by default saves power by preventing them from floating when unused.
- The **USB_MUXING.TO_PHY** bit defaults to a 1 to match the reset state of isolation latches.
- Added **SM_STATE**, which exposes the internal state of the controller's modules.

12.7.2.2.2. Host

- You can now optionally stop a transaction if a **NAK** is received. This allows the USB host to stop a bulk transaction if the device is not able to transfer data. Some devices using bulk endpoints, such as a UART, will return **NAKs** until a character is received. Stopping the transaction in hardware rather than using software means the host can get a **NAK** and guarantee no data has been dropped. RP2350 adds two register bits and an interrupt to support this:
 - The **NAK_POLL.STOP_EPX_ON_NAK** control, which enables and disables the feature.
 - The **NAK_POLL.EPX_STOPPED_ON_NAK** status bit, which also has an associated interrupt **INTS.EPX_STOPPED_ON_NAK**.
- RP2350 increases inter-packet and turnaround timeouts to accommodate worst-case hub delays. This issue, only seen with long chains of USB hubs, was never seen in practice. Timings in the host state machine have been corrected to match USB spec. This fix is enabled by **LINSTATE_TUNING.MULTI_HUB_FIX**.

12.7.2.2.3. Device

- Added wake from suspend fix: Any bus activity (defined as **K** or **SE0**) should cause a wake from suspend, not just a qualified period of resume signalling. This fix is enabled by default and can be disabled with **LINSTATE_TUNING.DEV_LS_WAKE_FIX** (**LS** means line state in this instance, not low speed).
- Added DPSRAM double read feature to ensure data consistency. This avoids the need to set the **AVAILABLE** bit in the buffer control register separate to the rest of the buffer information. This feature is enabled by default and controlled by **LINSTATE_TUNING.DEV_BUFF_CONTROL_DOUBLE_READ_FIX**.

- Added ability to stop `DEVICE OUT FROM HOST` when a short packet is received. For `EP0` this is controlled by `SIE_CTRL.EP0_STOP_ON_SHORT_PACKET`. This is done by stopping the transaction and then not toggling the buffer if in double buffered mode. Also added `short_packet` interrupt to notify software that a short packet has been received (`INTS.RX_SHORT_PACKET`)

12.7.2.2.4. Device error handling

- Added `DEV_RX_ERR QUIESCE` feature: the device endpoint error count replicates the host's internal Cerr count so software can detect if the host has probably halted the endpoint after three consecutive errors. The various stages of RX decode generate their own error signals that propagate to the top level. These error signals arrive at different times, so two error interrupts generate for every failed transfer. Added an optional override for this behaviour by forcing the device RX controller to idle after the first instance of an error during a transfer. This fix is enabled with `LINESTATE_TUNING.DEV_RX_ERR QUIESCE`.
- Added `SIE_RX_CHATTER_SE0_FIX`: the existing error recovery implementation waits for 8 FS idle bit-times before signalling a framing error and returning to idle. This works OK for random bus errors, but when a hub terminates a downstream packet, the hub forces a bit-stuff error followed by EOP. A valid token from the host may immediately follow this, but the device controller may ignore it due to the enforced delay. Optionally waits for either a valid EOP or 8 idle bit times before signalling a framing error. To enable the fix, use `LINESTATE_TUNING.SIE_RX_CHATTER_SE0_FIX`.
- Fix RP2040-E15: the receive state machine doesn't always handle cases where the bitstream deserialiser can abort a transfer. If decoding terminates due to bitstuff errors during the middle phases of a packet, the device controller can lock up. Unconditionally disables RX if the deserialiser has flagged a bitstuff error and subsequently signalled framing error after linestate returns to idle. To enable this fix, use `LINESTATE_TUNING.SIE_RX_BITSTUFF_FIX`.
- Device state machine watchdog: added a watchdog so that if the device state machine gets stuck for a certain amount of time it can be forced to idle. This is to handle any other error cases not anticipated by the above fixes. To enable the watchdog, use `DEV_SM_WATCHDOG`.

12.7.3. Architecture

12.7.3.1. Clock speed

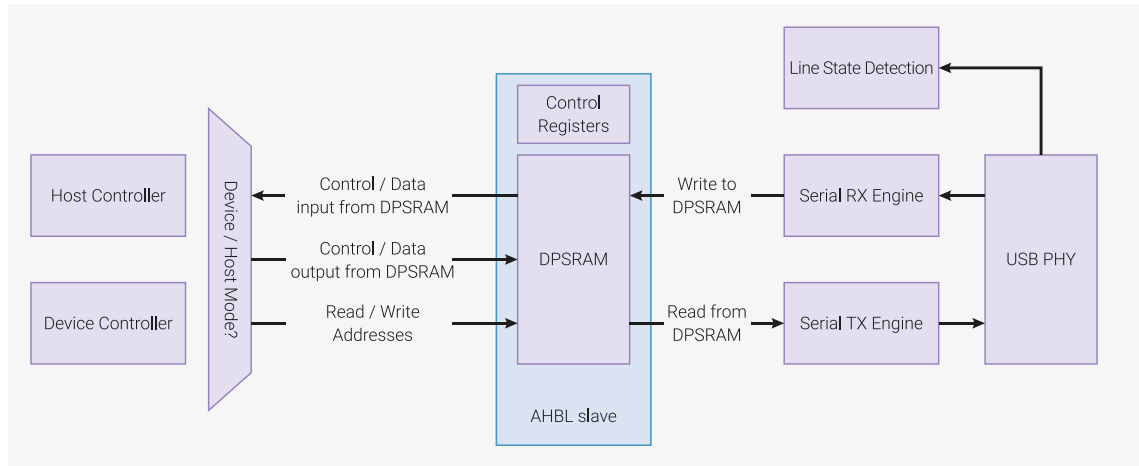
This controller requires `clk_usb` to be running at 48MHz.

i NOTE

`clk_sys` must also be running at > 48MHz. See [RP2350-E12](#).

12.7.3.2. Overview

Figure 124. A simplified overview of the USB controller architecture.



The USB controller is an area-efficient design that muxes a device controller or host controller onto a common set of components. Each component is detailed below.

12.7.3.3. USB PHY

The USB PHY provides the electrical interface between the USB **DP** and **DM** pins and the digital logic of the controller. The **DP** and **DM** pins are a differential pair, meaning the values are always the inverse of each other, except to encode a specific line state (e.g. **SE0**). The USB PHY drives the **DP** and **DM** pins to transmit data and performs a differential receive of any incoming data. The USB PHY provides both single-ended and differential receive data to the line state detection module.

The USB PHY has built in pull-up and pull-down resistors. When the controller acts as a Full Speed device, the **DP** pin is pulled up to indicate to the host that a Full Speed device has been connected. In host mode, a weak pull-down is applied to **DP** and **DM** so that the lines are pulled to a logical zero until the device pulls up **DP** for Full Speed or **DM** for Low Speed.

12.7.3.4. Line state detection

The [USB 2.0 Specification](#) defines several line states (Bus Reset, Connected, Suspend, Resume, Data 1, Data 0, etc.) that need to be detected. The line state detection module has several state machines to detect these states and signal events to the other hardware components. There is no shared clock signal in USB, so the RX data must be sampled by an internal clock. The maximum data rate of USB Full Speed is 12 Mb/s. The RX data is sampled at 48MHz, giving 4 clock cycles to capture and filter the bus state. The line state detection module distributes the filtered RX data to the Serial RX Engine.

12.7.3.5. Serial RX engine

The serial receive (RX) engine decodes receive data captured by the line state detection module. It produces the following information:

- The **PID** of the incoming data packet
- The device address for the incoming data
- The device endpoint for the incoming data
- Data bytes

The serial receive engine also detects errors in RX data by performing a CRC check on the incoming data. Any errors are signalled to the other hardware blocks and can raise an interrupt.

i NOTE

If you disconnect the USB cable during packet transfer in either host or device mode, the hardware will raise errors. Software must account for this scenario if you enable error interrupts.

12.7.3.6. Serial TX engine

The serial transmit (TX) engine is a mirror of the serial receive engine. It is connected to the currently active controller (either device or host). It creates **TOKEN** and **DATA** packets, calculates the CRC, and transmits them on the bus.

12.7.3.7. DPSRAM

The USB controller uses 4 kB (4096 bytes) of Dual Port SRAM (DPSRAM) to store control registers and data buffers. The DPSRAM is accessible as a 32-bit wide memory at address 0 of the USB controller (**0x50100000**).

The DPSRAM has the following characteristics, which differ from most registers on RP2350:

- Supports 8-bit, 16-bit, and 32-bit accesses (typically, RP2350 registers only support 32-bit accesses)
- Does *not* support set/clear aliases. (typically, RP2350 registers support these)

Data Buffers are typically 64 bytes long, as this is the maximum normal packet size for most Full Speed packets. Isochronous endpoints support a maximum buffer size of 1023 bytes. For other packet types, the maximum size is 64 bytes per buffer.

12.7.3.7.1. Concurrent access

The DPSRAM in the USB controller is asynchronous. The **dual port** part of the name indicates that *both* the processor and the USB controller have ports to read and write, and these two ports are in different clock domains. As a result, the processor and USB controller can access the same memory address at the same time. One could write and one could read simultaneously. This could result in inconsistent data reads. You can avoid this scenario by following the rules outlined in this section.

The **AVAILABLE** bit in the buffer control register indicates who has ownership of a buffer. Set this bit to 1 from the processor to give the controller ownership of the buffer. When it has finished using the buffer, the controller sets the bit back to 0. Set the **AVAILABLE** bit separately from the rest of the data in the buffer control register so that the rest of the data in the buffer control register is accurate when the **AVAILABLE** bit is set.

This is necessary because the processor clock **clk_sys** can run several times faster than the **clk_usb** clock. Therefore **clk_sys** can update the data *during* a USB controller read on a slower clock. The correct process is:

1. Write buffer information (length, etc.) to the buffer control register.
2. **nop** for some **clk_sys** cycles to ensure that at least one **clk_usb** cycle passes. Consider a scenario where **clk_sys** runs at 125MHz and **clk_usb** runs at 48MHz. Because $\lceil \frac{125}{48} \rceil = 3$, you should issue 3 **nop** instructions between the writes to guarantee that at least one **clk_usb** cycle has passed.
3. Set the **AVAILABLE** bit.

If **clk_sys** and **clk_usb** run at the same frequency, then it is not necessary to set the **AVAILABLE** bit separately.

NOTE

When the USB controller writes the status back to the DPSRAM, it does a 16-bit write to the lower 2 bytes for buffer 0 and the upper 2 bytes for buffer 1. When using double-buffered mode, always treat the buffer control register as two 16-bit registers when updating it in software.

12.7.3.7.2. Layout

Addresses `0x0` → `0xff` are used for control registers containing configuration data. The remaining space, addresses `0x100` → `0xffff` (3840 bytes) can be used for data buffers. The controller has control registers that start at address `0x10000`.

The memory layout depends on the USB controller mode:

- In Device mode, the host can access multiple endpoints, so each endpoint must have endpoint control and buffer control registers.
- In Host mode, the host software running on the processor decides which endpoints and devices to access. This only requires one set of endpoint control and buffer control registers. As well as software-driven transfers, the host controller can poll up to 15 interrupt endpoints and has a register for each of these interrupt endpoints.

Table 1192. DPSRAM layout

| Offset | Device Function | Host Function |
|-------------------|------------------------|-------------------------------|
| <code>0x0</code> | Setup packet (8 bytes) | |
| <code>0x8</code> | EP1 in control | Interrupt endpoint control 1 |
| <code>0xc</code> | EP1 out control | Spare |
| <code>0x10</code> | EP2 in control | Interrupt endpoint control 2 |
| <code>0x14</code> | EP2 out control | Spare |
| <code>0x18</code> | EP3 in control | Interrupt endpoint control 3 |
| <code>0x1c</code> | EP3 out control | Spare |
| <code>0x20</code> | EP4 in control | Interrupt endpoint control 4 |
| <code>0x24</code> | EP4 out control | Spare |
| <code>0x28</code> | EP5 in control | Interrupt endpoint control 5 |
| <code>0x2c</code> | EP5 out control | Spare |
| <code>0x30</code> | EP6 in control | Interrupt endpoint control 6 |
| <code>0x34</code> | EP6 out control | Spare |
| <code>0x38</code> | EP7 in control | Interrupt endpoint control 7 |
| <code>0x3c</code> | EP7 out control | Spare |
| <code>0x40</code> | EP8 in control | Interrupt endpoint control 8 |
| <code>0x44</code> | EP8 out control | Spare |
| <code>0x48</code> | EP9 in control | Interrupt endpoint control 9 |
| <code>0x4c</code> | EP9 out control | Spare |
| <code>0x50</code> | EP10 in control | Interrupt endpoint control 10 |
| <code>0x54</code> | EP10 out control | Spare |
| <code>0x58</code> | EP11 in control | Interrupt endpoint control 11 |

| Offset | Device Function | Host Function |
|--------|-------------------------|--------------------------------------|
| 0x5c | EP11 out control | Spare |
| 0x60 | EP12 in control | Interrupt endpoint control 12 |
| 0x64 | EP12 out control | Spare |
| 0x68 | EP13 in control | Interrupt endpoint control 13 |
| 0x6c | EP13 out control | Spare |
| 0x70 | EP14 in control | Interrupt endpoint control 14 |
| 0x74 | EP14 out control | Spare |
| 0x78 | EP15 in control | Interrupt endpoint control 15 |
| 0x7c | EP15 out control | Spare |
| 0x80 | EP0 in buffer control | EPx buffer control |
| 0x84 | EP0 out buffer control | Spare |
| 0x88 | EP1 in buffer control | Interrupt endpoint buffer control 1 |
| 0x8c | EP1 out buffer control | Spare |
| 0x90 | EP2 in buffer control | Interrupt endpoint buffer control 2 |
| 0x94 | EP2 out buffer control | Spare |
| 0x98 | EP3 in buffer control | Interrupt endpoint buffer control 3 |
| 0x9c | EP3 out buffer control | Spare |
| 0xa0 | EP4 in buffer control | Interrupt endpoint buffer control 4 |
| 0xa4 | EP4 out buffer control | Spare |
| 0xa8 | EP5 in buffer control | Interrupt endpoint buffer control 5 |
| 0xac | EP5 out buffer control | Spare |
| 0xb0 | EP6 in buffer control | Interrupt endpoint buffer control 6 |
| 0xb4 | EP6 out buffer control | Spare |
| 0xb8 | EP7 in buffer control | Interrupt endpoint buffer control 7 |
| 0xbc | EP7 out buffer control | Spare |
| 0xc0 | EP8 in buffer control | Interrupt endpoint buffer control 8 |
| 0xc4 | EP8 out buffer control | Spare |
| 0xc8 | EP9 in buffer control | Interrupt endpoint buffer control 9 |
| 0xcc | EP9 out buffer control | Spare |
| 0xd0 | EP10 in buffer control | Interrupt endpoint buffer control 10 |
| 0xd4 | EP10 out buffer control | Spare |
| 0xd8 | EP11 in buffer control | Interrupt endpoint buffer control 11 |
| 0xdc | EP11 out buffer control | Spare |
| 0xe0 | EP12 in buffer control | Interrupt endpoint buffer control 12 |
| 0xe4 | EP12 out buffer control | Spare |
| 0xe8 | EP13 in buffer control | Interrupt endpoint buffer control 13 |

| Offset | Device Function | Host Function |
|--------|--|--------------------------------------|
| 0xec | EP13 out buffer control | Spare |
| 0xf0 | EP14 in buffer control | Interrupt endpoint buffer control 14 |
| 0xf4 | EP14 out buffer control | Spare |
| 0xf8 | EP15 in buffer control | Interrupt endpoint buffer control 15 |
| 0xfc | EP15 out buffer control | Spare |
| 0x100 | EP0 buffer 0 (shared between in and out) | EPx control |
| 0x140 | Optional EP0 buffer 1 | Spare |
| 0x180 | Data buffers | |

12.7.3.7.3. Endpoint control register

The endpoint control register is used to configure an endpoint. It defines:

- The endpoint type
- The base address of the endpoint’s data buffer (or data buffers if double-buffered)
- Which endpoint events trigger the controller interrupt output

A device must support Endpoint 0 so that it can reply to **SETUP** packets and be enumerated. As a result, there is no endpoint control register for EP0. Its buffers begin at 0x100. All other endpoints can have either single or dual buffers and are mapped at the base address programmed. As EP0 has no endpoint control register, the interrupt enable controls for EP0 come from **SIE_CTRL**.

Table 1193. Endpoint control register layout

| Bit(s) | Device Function | Host Function |
|--------|---|---|
| 31 | Endpoint enable | |
| 30 | Single buffered (64 bytes) = 0, Double buffered (64 bytes × 2) = 1 | |
| 29 | Enable interrupt for every transferred buffer | |
| 28 | Enable interrupt for every 2 transferred buffers (valid for double-buffered only) | |
| 27:26 | Endpoint Type: Control = 0, Isochronous = 1, Bulk = 2, Interrupt = 3 | |
| 25:18 | N/A | The interval the host controller should poll this endpoint. Only applicable for interrupt endpoints. Specified in ms - 1. For example: a value of 9 would poll the endpoint every 10ms. |
| 17 | Interrupt on STALL | |
| 16 | Interrupt on NAK | |
| 15:6 | Address base offset in DPSRAM of data buffer(s) | |

i NOTE

The data buffer base address must be 64-byte aligned, since bits 0 through 5 are ignored.

12.7.3.7.4. Buffer control register

The buffer control register contains information about the state of the data buffers for that endpoint. It is shared between the processor and the controller. If the endpoint is configured to be single-buffered, only the first half (bits 0 through 15) of the buffer are used.

If double buffering, the buffer select starts at buffer 0. From then on, the buffer select flips between buffer 0 and 1

unless the **reset buffer select** bit is set (which resets the buffer select to buffer 0). The value of the buffer select is internal to the controller and not accessible by the processor.

For host interrupt and isochronous packets on EPx, the buffer full bit will be set on completion even if the transfer was unsuccessful. To determine the error, read the error bits in the **SIE_STATUS** register.

Table 1194. Buffer control register layout

| Bit(s) | Function |
|--------|---|
| 31 | Buffer 1 full. Should be set to 1 by the processor for an IN transaction and 0 for an OUT transaction. The controller sets this to 1 for an OUT transaction because it has filled the buffer. The controller sets it to 0 for an IN transaction because it has emptied the buffer. Only valid when double buffering. |
| 30 | Last buffer of transfer for buffer 1. Only valid when double buffering. |
| 29 | Data PID for buffer 1 - DATA0 = 0, DATA1 = 1. Only valid when double buffering. |
| 27:28 | Double buffer offset for isochronous mode (0 = 128, 1 = 256, 2 = 512, 3 = 1024). |
| 26 | Buffer 1 available. Whether the buffer can be used by the controller for a transfer. The processor sets this to 1 when the buffer is configured. The controller sets this to 0 after it has sent the data to the host for an IN transaction, or filled the buffer with data from the host for an OUT transaction. Only valid when double buffering. |
| 25:16 | Buffer 1 transfer length. Only valid when double buffering. |
| 15 | Buffer 0 full. Should be set to 1 by the processor for an IN transaction and 0 for an OUT transaction. The controller sets this to 1 for an OUT transaction because it has filled the buffer. The controller sets it to 0 for an IN transaction because it has emptied the buffer. |
| 14 | Last buffer of transfer for buffer 0. |
| 13 | Data PID for buffer 0 - DATA0 = 0, DATA1 = 1. |
| 12 | Reset buffer select to buffer 0 - cleared at end of transfer. For device <i>only</i> . |
| 11 | Send STALL for device, STALL received for host. |
| 10 | Buffer 0 available. Indicates whether the buffer can be used by the controller for a transfer. The processor sets this to 1 when the buffer is configured. The controller sets this to 0 after it has sent the data to the host for an IN transaction or filled the buffer with data from the host for an OUT transaction. |
| 9:0 | Buffer 0 transfer length. |

WARNING

If you run `clk_sys` and `clk_usb` at different speeds, set the available and stall bits *after* the other data in the buffer control register. Otherwise, the controller may initiate a transaction with data from a previous packet. The controller could see the available bit set, but get the data PID or length from the previous packet.

12.7.3.8. Device controller

This section details how the device controller operates when it receives various packet types from the host.

12.7.3.8.1. SETUP

The device controller **MUST** always accept a **SETUP** packet from the host. DPSRAM dedicates its first 8 bytes to the setup packet.

The **USB 2.0 Specification** states that receiving a setup packet also clears any stall bits on EP0. For this reason, the stall

bits for `EP0` are gated with two bits in the `EP_STALL_ARM` register. These bits are cleared when a setup packet is received. This means that to send a stall on `EP0`, you must set both the stall bit in the buffer control register and the appropriate bit in `EP_STALL_ARM`.

Barring any errors, the setup packet will be put into the setup packet buffer at DPSRAM offset `0x0`. The device controller will then reply with an `ACK`.

Finally, `SIE_STATUS.SETUP_REC` is set to indicate that a setup packet has been received. This will trigger an interrupt if the programmer has enabled the `SETUP_REC` interrupt (see `INTE`).

12.7.3.8.2. IN

From the device's point of view, an `IN` transfer means transferring data *into* the host. When an `IN` token is received from the host, the request is handled as follows:

`TOKEN` phase:

1. If `STALL` is set in the buffer control register (and if `EP0`, the appropriate `EP_STALL_ARM` bit is set), send a `STALL` response and go to idle.
2. If `AVAILABLE` and `FULL` bits are set in buffer control, go to the `DATA` phase.
3. If this is an isochronous endpoint, go to idle.
 - Otherwise, send `NAK` and go to the `DATA` phase.

`DATA` phase:

1. Send data.
2. If this is an isochronous endpoint, go to idle.
 - Otherwise, go to the `ACK` phase.

`ACK` phase:

1. Wait for `ACK` packet from host.
2. If there is a timeout, raise a timeout error.
3. If `ACK` is received, the packet is done, so go to `STATUS` phase.

`STATUS` phase:

1. If this was the last buffer in the transfer (i.e. if the `LAST_BUFFER` bit in the buffer control register was set), set `SIE_STATUS.TRANS_COMPLETE`.
2. If the endpoint is double buffered, flip the buffer select to the other buffer.
3. Set a bit in `BUFF_STATUS` to indicate the buffer is done. When handling this event, the programmer should read `BUFF_CPU_SHOULD_HANDLE` to see if it is buffer 0 or buffer 1 that is finished. If the endpoint is double-buffered, both buffers could be done. The cleared `BUFF_STATUS` bit will be set again, and `BUFF_CPU_SHOULD_HANDLE` will change in this instance.
4. Update status in the appropriate half of the buffer control register: `length`, `pid`, and `last_buff` are set. Everything else is written to zero.

If the host receives a `NAK`, the host will retry again later.

12.7.3.8.3. OUT

When an `OUT` token is received from the host, the request is handled as follows:

`TOKEN` phase:

1. If this is *not* an Isochronous endpoint and the data PID does not match the buffer control register, raise

[SIE_STATUS.DATA_SEQ_ERROR](#) (isochronous data is always sent with a [DATA0](#) pid).

2. If the [AVAILABLE](#) bit is set and the [FULL](#) bit is clear, go to the [DATA](#) phase, unless the [STALL](#) bit is set in which case the device controller will reply with a [STALL](#).

[DATA](#) phase:

1. Store received data in buffer. If this is an isochronous endpoint, go to the [STATUS](#) phase. Otherwise, go to the [ACK](#) phase.

[ACK](#) phase:

1. Send [ACK](#). Go to the [STATUS](#) phase.

[STATUS](#) phase:

See [IN STATUS](#) phase: [\[usb-device-in-status-phase\]](#). There is one difference: the [FULL](#) bit is set in the buffer control register to indicate that data has been received. In the [IN](#) phase, the [FULL](#) bit is cleared to indicate that data has been sent.

12.7.3.8.4. Suspend and resume

The USB device controller supports suspend, resume, and device-initiated remote resume (triggered with [SIE_CTRL.RESUME](#)). There is an interrupt / status bit in [SIE_STATUS](#). It is not necessary to enable the suspend and resume interrupts, since suspend and resume are irrelevant to most devices.

The device goes into suspend when it does not see any start of frame packets (transmitted every 1ms) from the host.

i NOTE

If you enable the suspend interrupt, it is likely you will see a suspend interrupt when the device first connects, but the bus is idle. The bus can be idle for a few milliseconds before the host begins sending start of frame packets. If you do not have a VBUS detect circuit connected, you will also see a suspend interrupt when the device disconnects. Without VBUS detection, it is impossible to tell the difference between being disconnected and suspended.

12.7.3.9. Host controller

The host controller design is similar to the device controller. The host starts all transactions, so the host always deals with transactions it has started. For this reason, there is only one set of endpoint control and endpoint buffer control registers. The host controller also contains additional hardware to poll interrupt endpoints in the background when there are no software controlled transactions taking place.

The host needs to send keep-alive packets to the device every 1ms to keep the device from suspending. Full Speed mode uses a [SOF](#) (start of frame) packet. Low Speed mode uses an [EOP](#) (end of packet) instead. Set [SIE_CTRL.KEEP_ALIVE_EN](#) and [SIE_CTRL.SOF_EN](#) to enable these packets.

Several bits in [SIE_CTRL](#) are used to begin a host transaction:

- [SEND_SETUP](#) - Send a setup packet. Typically used with [RECEIVE_TRANS](#), so the setup packet will be sent followed by the additional data transaction expected from the device.
- [SEND_TRANS](#) - This transfer is [OUT](#) from the host.
- [RECEIVE_TRANS](#) - This transfer is [IN](#) to the host.
- [START_TRANS](#) - Start the transfer (non-latching).
- [STOP_TRANS](#) - Stop the current transfer (non-latching).
- [PREAMBLE_ENABLE](#) - Used to send a packet to a Low Speed device on a Full Speed hub. Sends a [PRE](#) token packet before every packet the host sends (i.e. [PRE](#), [TOKEN](#), [PRE](#), [DATA](#), [pre](#), [ACK](#)).
- [SOF_SYNC](#) - Used to delay the transaction until after the next [SOF](#). Useful for interrupt and isochronous endpoints. The host controller prevents a transaction of 64 bytes from clashing with the [SOF](#) packets. For longer isochronous

packets, software is responsible for preventing collisions. To prevent collisions in software, use `SOF_SYNC` and limit the number of packets sent in one frame. If a transaction is set up with multiple packets, `SOF_SYNC` only applies to the first packet.

The `START_TRANS` bit is synchronised separately from other control bits in the `SIE_CTRL` register because the processor clock `clk_sys` can be asynchronous to the `clk_usb` clock. Always set the `START_TRANS` bit separately from the rest of the data in the `SIE_CTRL` register. Always ensure that at least two `clk_usb` cycles pass between writing to `START_TRANS` and other bits in `SIE_CTRL`. This ensures that the register contents are stable when the controller is prompted to start a transfer.

Consider a scenario where `clk_sys` runs at 125MHz and `clk_usb` runs at 48MHz. Because $\lceil \frac{125}{48} \rceil \times 2 = 6$, you should issue 6 `nop` instructions between the writes to guarantee that at least two `clk_usb` cycles have passed.

12.7.3.9.1. SETUP

The `SETUP` packet sent from the host always comes from the dedicated 8 bytes of space at offset `0x0` of the DPSRAM. Like the device controller, there are no control registers associated with the setup packet. The parameters are hard-coded and loaded into the hardware when you write to `START_TRANS` with the `SEND_SETUP` bit set. Once the setup packet has been sent, the host state machine waits for an `ACK` from the device. If there is a timeout, an `RX_TIMEOUT` error will be raised. If the `SEND_TRANS` bit is set, the host state machine will move to the `OUT` phase. Typically, the `SEND_SETUP` packet is used with the `RECEIVE_TRANS` bit, so the controller moves to the `IN` phase after sending a setup packet.

12.7.3.9.2. IN

An `IN` transfer is triggered with the `RECEIVE_TRANS` bit set when the `START_TRANS` bit is set. If the `SEND_SETUP` bit was set, this may be preceded by a `SETUP` packet.

CONTROL phase:

1. Read the `EPx` control register located at `0x80` to get the following endpoint information:
 - Is it double buffered?
 - What interrupts are enabled?
 - Base address of the data buffer (data buffers if in double-buffered mode)
 - What is the endpoint type?
2. Read the `EPx` buffer control register at `0x100` to get endpoint buffer information, such as transfer length and data PID.
3. Set the `AVAILABLE` bit (the host state machine checks for it).
4. Clear the `FULL` bit.

TOKEN phase:

1. Send the `IN` token packet to the device. The target device address and endpoint come from the `ADDR_ENDP` register.

DATA phase:

1. Receive the first data packet from the device.
2. Raise RX timeout error if the device doesn't reply.
3. If this is *not* an Isochronous endpoint and the data PID does not match the buffer control register, raise `SIE_STATUS.DATA_SEQ_ERROR` (isochronous data is always sent with a `DATA0` pid).

ACK phase:

1. Send `ACK` to device.

STATUS phase:

1. Set the `BUFF_STATUS` bit and update the buffer control register.
2. Set `FULL`, `DATA_PID`, `WR_LEN`, and `LAST_BUFF` if applicable.
3. If this is the last buffer in the transfer, set `TRANS_COMPLETE`.

CONTROL phase (continued):

The host state machine performs **IN** transactions until `LAST_BUFF` is seen in the `buffer_control` register.

If the host is in double buffered mode, the host controller toggles between the `BUF0` and `BUF1` sections of the buffer control register.

Otherwise, the controller reads the buffer control register for buffer 0, then waits for `FULL` to be clear and `AVAILABLE` to be set before starting the next **IN** transaction, waiting in the **CONTROL** phase.

If the host receives a zero length packet, the device has no more data. The host state machine stops listening for more data regardless of if the `LAST_BUFF` flag was set or not. To detect this from host software, check `BUFF_DONE` for a data length of 0 in the buffer control register.

12.7.3.9.3. OUT

An **OUT** transfer is triggered with the `SEND_TRANS` bit set when the `START_TRANS` bit is set. This may be preceded by a **SETUP** packet if the `SEND_SETUP` bit was set.

CONTROL phase:

1. Read the `EPx` control register to get endpoint information (same as [Section 12.7.3.9.2](#)).
2. Read the `EPx` buffer control register to get the transfer length and data PID. `AVAILABLE` and `FULL` must be set before the transfer can start.

TOKEN phase

1. Send an **OUT** packet to the device. The target device address and endpoint come from the `ADDR_ENDP` register.

DATA phase:

1. Send the first data packet to the device. If the endpoint type is isochronous, there is no **ACK** phase, so the host controller goes straight to status phase. If **ACK** is received, go to status phase. Otherwise:
 - If the host receives no reply, raise `SIE_STATUS.RX_TIMEOUT`.
 - If the host receives **NAK**, raise `SIE_STATUS.NAK_REC` and send the data packet again.
 - If the host receives **STALL**, raise `SIE_STATUS.STALL_REC` and go to idle.

STATUS phase:

1. Set the `BUFF_STATUS` bit and update the buffer control register. `FULL` will be set to 0. `TRANS_COMPLETE` will be set if this is the last buffer in the transfer.

CONTROL phase (continued):

1. If this isn't the last buffer in the transfer, wait for `FULL` and `AVAILABLE` to be set in the `EPx` buffer control register again.

12.7.3.9.4. Interrupt endpoints

The host controller can poll interrupt endpoints on a maximum of 15 endpoints. To enable interrupt endpoints, the programmer must:

- Pick the next free interrupt endpoint slot on the host controller (starting at 1, to a maximum of 15).
- Program the appropriate endpoint control register and buffer control register like you would with a normal **IN** or **OUT** transfer. Because interrupt endpoints are single-buffered, the `BUF1` part of the buffer control register is invalid.
- Set the address and endpoint of the device in the appropriate `ADDR_ENDP` register (`ADDR_ENDP1` to `ADDR_ENDP15`).

If the device is Low Speed but attached to a Full Speed hub, the preamble bit should be set. The endpoint `direction` bit should also be set.

- Set the corresponding interrupt endpoint active bit (one of bits 1 through 15) in `INT_EP_CTRL`.

Typically, interrupt endpoints use an `IN` transfer. The host might poll a USB hub to see if the state of any of its ports have changed. If there is no change, the hub replies with a `NAK` to the controller, and nothing happens. Similarly, a mouse replies with a `NAK` unless the mouse has been moved since the last time the interrupt endpoint was polled.

Interrupt endpoints are polled by the controller once a `SOF` packet has been sent by the host controller.

The controller loops from 1 to 15 and attempts to poll any interrupt endpoint with the `EP_ACTIVE` bit set to 1 in `INT_EP_CTRL`. The controller will then read the endpoint control register and the buffer control register to see if there is an available buffer (i.e. `FULL + AVAILABLE` if an `OUT` transfer and `NOT FULL + AVAILABLE` for an `IN` transfer). If not, the controller will move onto the next interrupt endpoint slot.

If there is an available buffer, the transfer is dealt with the same as a normal `IN` or `OUT` transfer and the `BUFF_DONE` flag in `BUFF_STATUS` will be set when the interrupt endpoint has a valid buffer.

12.7.3.10. VBUS control

The USB controller can be connected to GPIO pins (see [Chapter 9](#)) for the following VBUS controls:

- **VBUS enable**, used to enable VBUS in host mode. Set in `SIE_CTRL`.
- **VBUS detect**, used to detect that VBUS is present in device mode. Set via a bit in `SIE_STATUS`. Can also raise a `VBUS_DETECT` interrupt enabled in `INTE`.
- **VBUS overcurrent**, used to detect an overcurrent event. Applicable to both device and host. VBUS overcurrent is a bit in `SIE_STATUS`.

It is not necessary to connect up any of these pins to GPIO. The host can permanently supply VBUS and detect a device being connected when either the `DP` or `DM` pin is pulled high. VBUS detect can be forced in `USB_PWR`.

12.7.4. Programmer's model

12.7.4.1. TinyUSB

The RP2350 TinyUSB port is the reference implementation for this USB controller. This port can be found in the following files of the `pico-sdk` GitHub repository:

`dcd_rp2040.c`

`hcd_rp2040.c`

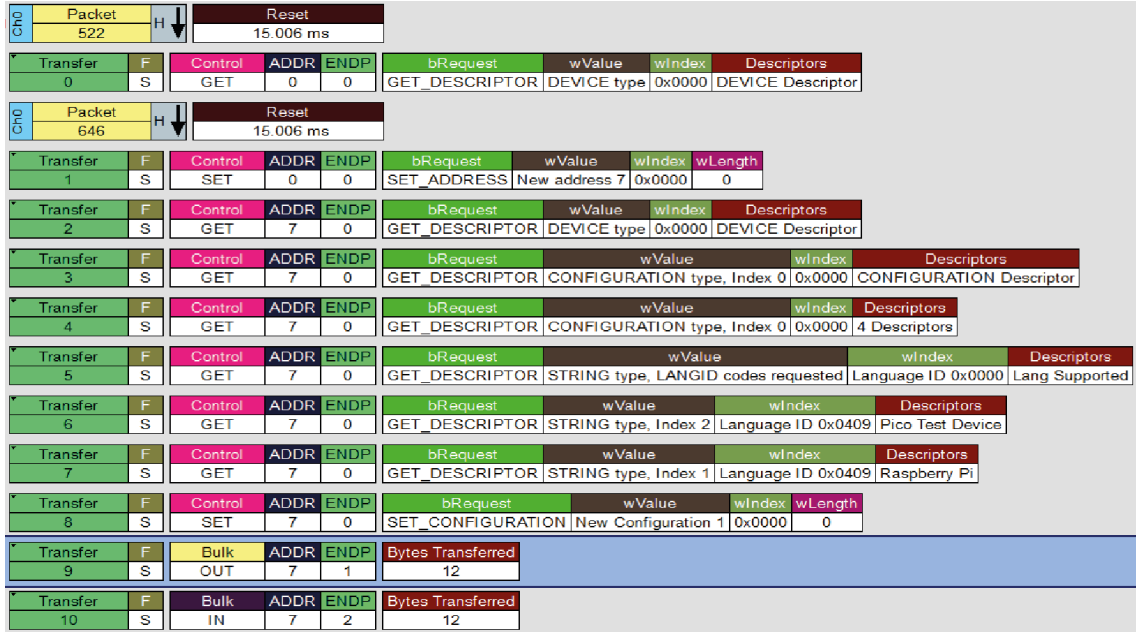
`rp2040_usb.h`

12.7.4.2. Standalone device example

A standalone USB device example, `dev_lowlevel`, makes it easier to understand how to interact with the USB controller without needing to understand the TinyUSB abstractions. In addition to endpoint 0, the standalone device has two bulk endpoints: `EP1 OUT` and `EP2 IN`. The device is designed to send whatever data it receives on `EP1` to `EP2`. The example comes with a small Python script that writes "Hello World" into `EP1` and checks that it is correctly received on `EP2`.

The code included in this section explains setting up the USB device controller to receive. It also shows how software responds to a setup packet received from the host.

Figure 125. USB analyser trace of the dev_lowlevel USB device example. The control transfers are the device enumeration. The first bulk OUT (out from the host) transfer, highlighted in blue, is the host sending "Hello World" to the device. The second bulk transfer IN (in to the host), is the device returning "Hello World" to the host.



12.7.4.2.1. Device controller initialisation

The following code initialises the USB device:

Pico Examples: https://github.com/raspberrypi/pico-examples/blob/master/usb/device/dev_lowlevel/dev_lowlevel.c Lines 183 - 217

```

183 void usb_device_init() {
184     // Reset usb controller
185     reset_unreset_block_num_wait_blocking(RESET_USBCtrl);
186
187     // Clear any previous state in dpram just in case
188     memset(usb_dpram, 0, sizeof(*usb_dpram)); ①
189
190     // Enable USB interrupt at processor
191     irq_set_enabled(USBCtrl_IRQ, true);
192
193     // Mux the controller to the onboard usb phy
194     usb_hw->muxing = USB_USB_MUXING_TO_PHY_BITS | USB_USB_MUXING_SOFTCON_BITS;
195
196     // Force VBUS detect so the device thinks it is plugged into a host
197     usb_hw->pwr = USB_USB_PWR_VBUS_DETECT_BITS | USB_USB_PWR_VBUS_DETECT_OVERRIDE_EN_BITS;
198
199     // Enable the USB controller in device mode.
200     usb_hw->main_ctrl = USB_MAIN_CTRL_CONTROLLER_EN_BITS;
201
202     // Enable an interrupt per EP0 transaction
203     usb_hw->sie_ctrl = USB_SIE_CTRL_EP0_INT_1BUF_BITS; ②
204
205     // Enable interrupts for when a buffer is done, when the bus is reset,
206     // and when a setup packet is received
207     usb_hw->inte = USB_INTS_BUFF_STATUS_BITS |
208                   USB_INTS_BUS_RESET_BITS |
209                   USB_INTS_SETUP_REQ_BITS;
210
211     // Set up endpoints (endpoint control registers)
212     // described by device configuration
213     usb_setup_endpoints();
214
215     // Present full speed device by enabling pull up on DP

```

```

216     usb_hw_set->sie_ctrl = USB_SIE_CTRL_PULLUP_EN_BITS;
217 }

```

12.7.4.2.2. Configuring the endpoint control registers for EP1 and EP2

The function `usb_configure_endpoints` loops through each endpoint defined in the device configuration (including EP0 in and EP0 out, which don't have an endpoint control register defined) and calls the `usb_configure_endpoint` function. This sets up the endpoint control register for that endpoint:

Pico Examples: https://github.com/raspberrypi/pico-examples/blob/master/usb/device/dev_lowlevel/dev_lowlevel.c Lines 149 - 164

```

149 void usb_setup_endpoint(const struct usb_endpoint_configuration *ep) {
150     printf("Set up endpoint 0x%x with buffer address 0x%p\n", ep->descriptor-
    >bEndpointAddress, ep->data_buffer);
151
152     // EP0 doesn't have one so return if that is the case
153     if (!ep->endpoint_control) {
154         return;
155     }
156
157     // Get the data buffer as an offset of the USB controller's DPRAM
158     uint32_t dpram_offset = usb_buffer_offset(ep->data_buffer);
159     uint32_t reg = EP_CTRL_ENABLE_BITS
160                 | EP_CTRL_INTERRUPT_PER_BUFFER
161                 | (ep->descriptor->bmAttributes << EP_CTRL_BUFFER_TYPE_LSB)
162                 | dpram_offset;
163     *ep->endpoint_control = reg;
164 }

```

12.7.4.2.3. Receiving a setup packet

An interrupt is raised when a setup packet is received, so the interrupt handler must handle this event:

Pico Examples: https://github.com/raspberrypi/pico-examples/blob/master/usb/device/dev_lowlevel/dev_lowlevel.c Lines 494 - 504

```

494 void isr_usbctrl(void) {
495     // USB interrupt handler
496     uint32_t status = usb_hw->ints;
497     uint32_t handled = 0;
498
499     // Setup packet received
500     if (status & USB_INTS_SETUP_REQ_BITS) {
501         handled |= USB_INTS_SETUP_REQ_BITS;
502         usb_hw_clear->sie_status = USB_SIE_STATUS_SETUP_REC_BITS;
503         usb_handle_setup_packet();
504     }

```

The controller writes the `SETUP` packet to the first 8 bytes of the DPSRAM, so the setup packet handler casts that area of memory to `struct usb_setup_packet *`:

Pico Examples: https://github.com/raspberrypi/pico-examples/blob/master/usb/device/dev_lowlevel/dev_lowlevel.c Lines 383 - 427

```

383 void usb_handle_setup_packet(void) {
384     volatile struct usb_setup_packet *pkt = (volatile struct usb_setup_packet *) &usb_dpram
    ->setup_packet;
385     uint8_t req_direction = pkt->bmRequestType;

```

```

386     uint8_t req = pkt->bRequest;
387
388     // Reset PID to 1 for EP0 IN
389     usb_get_endpoint_configuration(EP0_IN_ADDR)->next_pid = 1u;
390
391     if (req_direction == USB_DIR_OUT) {
392         if (req == USB_REQUEST_SET_ADDRESS) {
393             usb_set_device_address(pkt);
394         } else if (req == USB_REQUEST_SET_CONFIGURATION) {
395             usb_set_device_configuration(pkt);
396         } else {
397             usb_acknowledge_out_request();
398             printf("Other OUT request (0x%x)\r\n", pkt->bRequest);
399         }
400     } else if (req_direction == USB_DIR_IN) {
401         if (req == USB_REQUEST_GET_DESCRIPTOR) {
402             uint16_t descriptor_type = pkt->wValue >> 8;
403
404             switch (descriptor_type) {
405                 case USB_DT_DEVICE:
406                     usb_handle_device_descriptor(pkt);
407                     printf("GET DEVICE DESCRIPTOR\r\n");
408                     break;
409
410                 case USB_DT_CONFIG:
411                     usb_handle_config_descriptor(pkt);
412                     printf("GET CONFIG DESCRIPTOR\r\n");
413                     break;
414
415                 case USB_DT_STRING:
416                     usb_handle_string_descriptor(pkt);
417                     printf("GET STRING DESCRIPTOR\r\n");
418                     break;
419
420                 default:
421                     printf("Unhandled GET_DESCRIPTOR type 0x%x\r\n", descriptor_type);
422             }
423         } else {
424             printf("Other IN request (0x%x)\r\n", pkt->bRequest);
425         }
426     }
427 }

```

12.7.4.2.4. Replying to a setup packet on EP0 IN

The host first requests the device descriptor. The following code handles that setup request:

Pico Examples: https://github.com/raspberrypi/pico-examples/blob/master/usb/device/dev_lowlevel/dev_lowlevel.c Lines 266 - 273

```

266 void usb_handle_device_descriptor(volatile struct usb_setup_packet *pkt) {
267     const struct usb_device_descriptor *d = dev_config.device_descriptor;
268     // EP0 in
269     struct usb_endpoint_configuration *ep = usb_get_endpoint_configuration(EP0_IN_ADDR);
270     // Always respond with pid 1
271     ep->next_pid = 1;
272     usb_start_transfer(ep, (uint8_t *) d, MIN(sizeof(struct usb_device_descriptor), pkt-
273         >wLength));

```

The `usb_start_transfer` function copies data to be sent into the appropriate hardware buffer and configures the buffer

control register. Once the buffer control register has been written to, the device controller responds to the host with the data. Before this point, the device replies with a **NAK**:

Pico Examples: https://github.com/raspberrypi/pico-examples/blob/master/usb/device/dev_lowlevel/dev_lowlevel.c Lines 238 - 260

```

238 void usb_start_transfer(struct usb_endpoint_configuration *ep, uint8_t *buf, uint16_t len) {
239     // We are asserting that the length is <= 64 bytes for simplicity of the example.
240     // For multi packet transfers see the tinyusb port.
241     assert(len <= 64);
242
243     printf("Start transfer of len %d on ep addr 0x%x\n", len, ep->descriptor-
>bEndpointAddress);
244
245     // Prepare buffer control register value
246     uint32_t val = len | USB_BUF_CTRL_AVAIL;
247
248     if (ep_is_tx(ep)) {
249         // Need to copy the data from the user buffer to the usb memory
250         memcpy((void *) ep->data_buffer, (void *) buf, len);
251         // Mark as full
252         val |= USB_BUF_CTRL_FULL;
253     }
254
255     // Set pid and flip for next transfer
256     val |= ep->next_pid ? USB_BUF_CTRL_DATA1_PID : USB_BUF_CTRL_DATA0_PID;
257     ep->next_pid ^= 1u;
258
259     *ep->buffer_control = val;
260 }

```

12.7.5. List of registers

The USB registers start at a base address of **0x50110000** (defined as **USBCTRL_REGS_BASE** in SDK).

Table 1195. List of USB registers

| Offset | Name | Info |
|--------|-----------------------------|--|
| 0x000 | ADDR_ENDP | Device address and endpoint control |
| 0x004 | ADDR_ENDP1 | Interrupt endpoint 1. Only valid for HOST mode. |
| 0x008 | ADDR_ENDP2 | Interrupt endpoint 2. Only valid for HOST mode. |
| 0x00c | ADDR_ENDP3 | Interrupt endpoint 3. Only valid for HOST mode. |
| 0x010 | ADDR_ENDP4 | Interrupt endpoint 4. Only valid for HOST mode. |
| 0x014 | ADDR_ENDP5 | Interrupt endpoint 5. Only valid for HOST mode. |
| 0x018 | ADDR_ENDP6 | Interrupt endpoint 6. Only valid for HOST mode. |
| 0x01c | ADDR_ENDP7 | Interrupt endpoint 7. Only valid for HOST mode. |
| 0x020 | ADDR_ENDP8 | Interrupt endpoint 8. Only valid for HOST mode. |
| 0x024 | ADDR_ENDP9 | Interrupt endpoint 9. Only valid for HOST mode. |
| 0x028 | ADDR_ENDP10 | Interrupt endpoint 10. Only valid for HOST mode. |
| 0x02c | ADDR_ENDP11 | Interrupt endpoint 11. Only valid for HOST mode. |
| 0x030 | ADDR_ENDP12 | Interrupt endpoint 12. Only valid for HOST mode. |
| 0x034 | ADDR_ENDP13 | Interrupt endpoint 13. Only valid for HOST mode. |

| Offset | Name | Info |
|--------|--|--|
| 0x038 | ADDR_ENDP14 | Interrupt endpoint 14. Only valid for HOST mode. |
| 0x03c | ADDR_ENDP15 | Interrupt endpoint 15. Only valid for HOST mode. |
| 0x040 | MAIN_CTRL | Main control register |
| 0x044 | SOF_WR | Set the SOF (Start of Frame) frame number in the host controller. The SOF packet is sent every 1ms and the host will increment the frame number by 1 each time. |
| 0x048 | SOF_RD | Read the last SOF (Start of Frame) frame number seen. In device mode the last SOF received from the host. In host mode the last SOF sent by the host. |
| 0x04c | SIE_CTRL | SIE control register |
| 0x050 | SIE_STATUS | SIE status register |
| 0x054 | INT_EP_CTRL | interrupt endpoint control register |
| 0x058 | BUFF_STATUS | Buffer status register. A bit set here indicates that a buffer has completed on the endpoint (if the buffer interrupt is enabled). It is possible for 2 buffers to be completed, so clearing the buffer status bit may instantly re set it on the next clock cycle. |
| 0x05c | BUFF_CPU_SHOULD_HANDLE | Which of the double buffers should be handled. Only valid if using an interrupt per buffer (i.e. not per 2 buffers). Not valid for host interrupt endpoint polling because they are only single buffered. |
| 0x060 | EP_ABORT | Device only: Can be set to ignore the buffer control register for this endpoint in case you would like to revoke a buffer. A NAK will be sent for every access to the endpoint until this bit is cleared. A corresponding bit in EP_ABORT_DONE is set when it is safe to modify the buffer control register. |
| 0x064 | EP_ABORT_DONE | Device only: Used in conjunction with EP_ABORT . Set once an endpoint is idle so the programmer knows it is safe to modify the buffer control register. |
| 0x068 | EP_STALL_ARM | Device: this bit must be set in conjunction with the STALL bit in the buffer control register to send a STALL on EP0. The device controller clears these bits when a SETUP packet is received because the USB spec requires that a STALL condition is cleared when a SETUP packet is received. |
| 0x06c | NAK_POLL | Used by the host controller. Sets the wait time in microseconds before trying again if the device replies with a NAK. |
| 0x070 | EP_STATUS_STALL_NAK | Device: bits are set when the IRQ_ON_NAK or IRQ_ON_STALL bits are set. For EP0 this comes from SIE_CTRL . For all other endpoints it comes from the endpoint control register. |
| 0x074 | USB_MUXING | Where to connect the USB controller. Should be to_phy by default. |
| 0x078 | USB_PWR | Overrides for the power signals in the event that the VBUS signals are not hooked up to GPIO. Set the value of the override and then the override enable to switch over to the override value. |

| Offset | Name | Info |
|--------|------------------------|---|
| 0x07c | USBPHY_DIRECT | This register allows for direct control of the USB phy. Use in conjunction with usbphy_direct_override register to enable each override bit. |
| 0x080 | USBPHY_DIRECT_OVERRIDE | Override enable for each control in usbphy_direct |
| 0x084 | USBPHY_TRIM | Used to adjust trim values of USB phy pull down resistors. |
| 0x088 | LINESTATE_TUNING | Used for debug only. |
| 0x08c | INTR | Raw Interrupts |
| 0x090 | INTE | Interrupt Enable |
| 0x094 | INTF | Interrupt Force |
| 0x098 | INTS | Interrupt status after masking & forcing |
| 0x100 | SOF_TIMESTAMP_RAW | Device only. Raw value of free-running PHY clock counter @48MHz. Used to calculate time between SOF events. |
| 0x104 | SOF_TIMESTAMP_LAST | Device only. Value of free-running PHY clock counter @48MHz when last SOF event occurred. |
| 0x108 | SM_STATE | |
| 0x10c | EP_TX_ERROR | TX error count for each endpoint. Write to each field to reset the counter to 0. |
| 0x110 | EP_RX_ERROR | RX error count for each endpoint. Write to each field to reset the counter to 0. |
| 0x114 | DEV_SM_WATCHDOG | Watchdog that forces the device state machine to idle and raises an interrupt if the device stays in a state that isn't idle for the configured limit. The counter is reset on every state transition. Set limit while enable is low and then set the enable. |

USB: ADDR_ENDP Register

Offset: 0x000

Description

Device address and endpoint control

Table 1196.
ADDR_ENDP Register

| Bits | Description | Type | Reset |
|-------|---|------|-------|
| 31:20 | Reserved. | - | - |
| 19:16 | ENDPOINT: Device endpoint to send data to. Only valid for HOST mode. | RW | 0x0 |
| 15:7 | Reserved. | - | - |
| 6:0 | ADDRESS: In device mode, the address that the device should respond to. Set in response to a SET_ADDR setup packet from the host. In host mode set to the address of the device to communicate with. | RW | 0x00 |

USB: ADDR_ENDP1, ADDR_ENDP2, ..., ADDR_ENDP14, ADDR_ENDP15 Registers

Offsets: 0x004, 0x008, ..., 0x038, 0x03c

Description

Interrupt endpoint *N*. Only valid for HOST mode.

Table 1197.
ADDR_ENDP1,
ADDR_ENDP2,...,
ADDR_ENDP14,
ADDR_ENDP15
Registers

| Bits | Description | Type | Reset |
|-------|--|------|-------|
| 31:27 | Reserved. | - | - |
| 26 | INTEP_PREAMBLE : Interrupt EP requires preamble (is a low speed device on a full speed hub) | RW | 0x0 |
| 25 | INTEP_DIR : Direction of the interrupt endpoint. In=0, Out=1 | RW | 0x0 |
| 24:20 | Reserved. | - | - |
| 19:16 | ENDPOINT : Endpoint number of the interrupt endpoint | RW | 0x0 |
| 15:7 | Reserved. | - | - |
| 6:0 | ADDRESS : Device address | RW | 0x00 |

USB: MAIN_CTRL Register

Offset: 0x040

Description

Main control register

Table 1198.
MAIN_CTRL Register

| Bits | Description | Type | Reset |
|------|---|------|-------|
| 31 | SIM_TIMING : Reduced timings for simulation | RW | 0x0 |
| 30:3 | Reserved. | - | - |
| 2 | PHY_ISO : Isolates USB phy after controller power-up Remove isolation once software has configured the controller Not isolated = 0, Isolated = 1 | RW | 0x1 |
| 1 | HOST_NDEVICE : Device mode = 0, Host mode = 1 | RW | 0x0 |
| 0 | CONTROLLER_EN : Enable controller | RW | 0x0 |

USB: SOF_WR Register

Offset: 0x044

Description

Set the SOF (Start of Frame) frame number in the host controller. The SOF packet is sent every 1ms and the host will increment the frame number by 1 each time.

Table 1199. SOF_WR Register

| Bits | Description | Type | Reset |
|-------|--------------|------|-------|
| 31:11 | Reserved. | - | - |
| 10:0 | COUNT | WF | 0x000 |

USB: SOF_RD Register

Offset: 0x048

Description

Read the last SOF (Start of Frame) frame number seen. In device mode the last SOF received from the host. In host mode the last SOF sent by the host.

Table 1200. SOF_RD Register

| Bits | Description | Type | Reset |
|-------|--------------|------|-------|
| 31:11 | Reserved. | - | - |
| 10:0 | COUNT | RO | 0x000 |

USB: SIE_CTRL Register

Offset: 0x04c

Description

SIE control register

Table 1201. SIE_CTRL Register

| Bits | Description | Type | Reset |
|-------|---|------|-------|
| 31 | EP0_INT_STALL : Device: Set bit in EP_STATUS_STALL_NAK when EP0 sends a STALL | RW | 0x0 |
| 30 | EP0_DOUBLE_BUF : Device: EP0 single buffered = 0, double buffered = 1 | RW | 0x0 |
| 29 | EP0_INT_1BUF : Device: Set bit in BUFF_STATUS for every buffer completed on EP0 | RW | 0x0 |
| 28 | EP0_INT_2BUF : Device: Set bit in BUFF_STATUS for every 2 buffers completed on EP0 | RW | 0x0 |
| 27 | EP0_INT_NAK : Device: Set bit in EP_STATUS_STALL_NAK when EP0 sends a NAK | RW | 0x0 |
| 26 | DIRECT_EN : Direct bus drive enable | RW | 0x0 |
| 25 | DIRECT_DP : Direct control of DP | RW | 0x0 |
| 24 | DIRECT_DM : Direct control of DM | RW | 0x0 |
| 23:20 | Reserved. | - | - |
| 19 | EP0_STOP_ON_SHORT_PACKET : Device: Stop EP0 on a short packet. | RW | 0x0 |
| 18 | TRANSCEIVER_PD : Power down bus transceiver | RW | 0x0 |
| 17 | RPU_OPT : Device: Pull-up strength (0=1K2, 1=2k3) | RW | 0x0 |
| 16 | PULLUP_EN : Device: Enable pull up resistor | RW | 0x0 |
| 15 | PULLDOWN_EN : Host: Enable pull down resistors | RW | 0x1 |
| 14 | Reserved. | - | - |
| 13 | RESET_BUS : Host: Reset bus | SC | 0x0 |
| 12 | RESUME : Device: Remote wakeup. Device can initiate its own resume after suspend. | SC | 0x0 |
| 11 | VBUS_EN : Host: Enable VBUS | RW | 0x0 |
| 10 | KEEP_ALIVE_EN : Host: Enable keep alive packet (for low speed bus) | RW | 0x0 |
| 9 | SOF_EN : Host: Enable SOF generation (for full speed bus) | RW | 0x0 |
| 8 | SOF_SYNC : Host: Delay packet(s) until after SOF | RW | 0x0 |
| 7 | Reserved. | - | - |
| 6 | PREAMBLE_EN : Host: Preable enable for LS device on FS hub | RW | 0x0 |
| 5 | Reserved. | - | - |
| 4 | STOP_TRANS : Host: Stop transaction | SC | 0x0 |

| Bits | Description | Type | Reset |
|------|--|------|-------|
| 3 | RECEIVE_DATA : Host: Receive transaction (IN to host) | RW | 0x0 |
| 2 | SEND_DATA : Host: Send transaction (OUT from host) | RW | 0x0 |
| 1 | SEND_SETUP : Host: Send Setup packet | RW | 0x0 |
| 0 | START_TRANS : Host: Start transaction | SC | 0x0 |

USB: SIE_STATUS Register

Offset: 0x050

Description

SIE status register

Table 1202.
SIE_STATUS Register

| Bits | Description | Type | Reset |
|-------|---|------|-------|
| 31 | <p>DATA_SEQ_ERROR: Data Sequence Error.</p> <p>The device can raise a sequence error in the following conditions:</p> <ul style="list-style-type: none"> * A SETUP packet is received followed by a DATA1 packet (data phase should always be DATA0) * An OUT packet is received from the host but doesn't match the data pid in the buffer control register read from DPSRAM <p>The host can raise a data sequence error in the following conditions:</p> <ul style="list-style-type: none"> * An IN packet from the device has the wrong data PID | WC | 0x0 |
| 30 | ACK_REC : ACK received. Raised by both host and device. | WC | 0x0 |
| 29 | STALL_REC : Host: STALL received | WC | 0x0 |
| 28 | NAK_REC : Host: NAK received | WC | 0x0 |
| 27 | RX_TIMEOUT : RX timeout is raised by both the host and device if an ACK is not received in the maximum time specified by the USB spec. | WC | 0x0 |
| 26 | RX_OVERFLOW : RX overflow is raised by the Serial RX engine if the incoming data is too fast. | WC | 0x0 |
| 25 | BIT_STUFF_ERROR : Bit Stuff Error. Raised by the Serial RX engine. | WC | 0x0 |
| 24 | CRC_ERROR : CRC Error. Raised by the Serial RX engine. | WC | 0x0 |
| 23 | ENDPOINT_ERROR : An endpoint has encountered an error. Read the ep_rx_error and ep_tx_error registers to find out which endpoint had an error. | WC | 0x0 |
| 22:20 | Reserved. | - | - |
| 19 | BUS_RESET : Device: bus reset received | WC | 0x0 |

| Bits | Description | Type | Reset |
|-------|---|------|-------|
| 18 | <p>TRANS_COMPLETE: Transaction complete.</p> <p>Raised by device if:</p> <p>* An IN or OUT packet is sent with the LAST_BUFF bit set in the buffer control register</p> <p>Raised by host if:</p> <p>* A setup packet is sent when no data in or data out transaction follows * An IN packet is received and the LAST_BUFF bit is set in the buffer control register * An IN packet is received with zero length * An OUT packet is sent and the LAST_BUFF bit is set</p> | WC | 0x0 |
| 17 | SETUP_REC: Device: Setup packet received | WC | 0x0 |
| 16 | CONNECTED: Device: connected | RO | 0x0 |
| 15:13 | Reserved. | - | - |
| 12 | <p>RX_SHORT_PACKET: Device or Host has received a short packet. This is when the data recieved is less than configured in the buffer control register. Device: If using double buffered mode on device the buffer select will not be toggled after writing status back to the buffer control register. This is to prevent any further transactions on that endpoint until the user has reset the buffer control registers. Host: the current transfer will be stopped early.</p> | WC | 0x0 |
| 11 | RESUME: Host: Device has initiated a remote resume. Device: host has initiated a resume. | WC | 0x0 |
| 10 | VBUS_OVER_CURR: VBUS over current detected | RO | 0x0 |
| 9:8 | SPEED: Host: device speed. Disconnected = 00, LS = 01, FS = 10 | RO | 0x0 |
| 7:5 | Reserved. | - | - |
| 4 | SUSPENDED: Bus in suspended state. Valid for device and host. Host and device will go into suspend if neither Keep Alive / SOF frames are enabled. | RO | 0x0 |
| 3:2 | LINE_STATE: USB bus line state | RO | 0x0 |
| 1 | Reserved. | - | - |
| 0 | VBUS_DETECTED: Device: VBUS Detected | RO | 0x0 |

USB: INT_EP_CTRL Register

Offset: 0x054

Description

interrupt endpoint control register

Table 1203.
INT_EP_CTRL Register

| Bits | Description | Type | Reset |
|-------|--|------|--------|
| 31:16 | Reserved. | - | - |
| 15:1 | INT_EP_ACTIVE: Host: Enable interrupt endpoint 1 → 15 | RW | 0x0000 |
| 0 | Reserved. | - | - |

USB: BUFF_STATUS Register

Offset: 0x058

Description

Buffer status register. A bit set here indicates that a buffer has completed on the endpoint (if the buffer interrupt is enabled). It is possible for 2 buffers to be completed, so clearing the buffer status bit may instantly re set it on the next clock cycle.

Table 1204.
BUFF_STATUS
Register

| Bits | Description | Type | Reset |
|------|-------------|------|-------|
| 31 | EP15_OUT | WC | 0x0 |
| 30 | EP15_IN | WC | 0x0 |
| 29 | EP14_OUT | WC | 0x0 |
| 28 | EP14_IN | WC | 0x0 |
| 27 | EP13_OUT | WC | 0x0 |
| 26 | EP13_IN | WC | 0x0 |
| 25 | EP12_OUT | WC | 0x0 |
| 24 | EP12_IN | WC | 0x0 |
| 23 | EP11_OUT | WC | 0x0 |
| 22 | EP11_IN | WC | 0x0 |
| 21 | EP10_OUT | WC | 0x0 |
| 20 | EP10_IN | WC | 0x0 |
| 19 | EP9_OUT | WC | 0x0 |
| 18 | EP9_IN | WC | 0x0 |
| 17 | EP8_OUT | WC | 0x0 |
| 16 | EP8_IN | WC | 0x0 |
| 15 | EP7_OUT | WC | 0x0 |
| 14 | EP7_IN | WC | 0x0 |
| 13 | EP6_OUT | WC | 0x0 |
| 12 | EP6_IN | WC | 0x0 |
| 11 | EP5_OUT | WC | 0x0 |
| 10 | EP5_IN | WC | 0x0 |
| 9 | EP4_OUT | WC | 0x0 |
| 8 | EP4_IN | WC | 0x0 |
| 7 | EP3_OUT | WC | 0x0 |
| 6 | EP3_IN | WC | 0x0 |
| 5 | EP2_OUT | WC | 0x0 |
| 4 | EP2_IN | WC | 0x0 |
| 3 | EP1_OUT | WC | 0x0 |
| 2 | EP1_IN | WC | 0x0 |
| 1 | EP0_OUT | WC | 0x0 |
| 0 | EP0_IN | WC | 0x0 |

USB: BUFF_CPU_SHOULD_HANDLE Register

Offset: 0x05c

Description

Which of the double buffers should be handled. Only valid if using an interrupt per buffer (i.e. not per 2 buffers). Not valid for host interrupt endpoint polling because they are only single buffered.

Table 1205.
BUFF_CPU_SHOULD_H
ANDLE Register

| Bits | Description | Type | Reset |
|------|-------------|------|-------|
| 31 | EP15_OUT | RO | 0x0 |
| 30 | EP15_IN | RO | 0x0 |
| 29 | EP14_OUT | RO | 0x0 |
| 28 | EP14_IN | RO | 0x0 |
| 27 | EP13_OUT | RO | 0x0 |
| 26 | EP13_IN | RO | 0x0 |
| 25 | EP12_OUT | RO | 0x0 |
| 24 | EP12_IN | RO | 0x0 |
| 23 | EP11_OUT | RO | 0x0 |
| 22 | EP11_IN | RO | 0x0 |
| 21 | EP10_OUT | RO | 0x0 |
| 20 | EP10_IN | RO | 0x0 |
| 19 | EP9_OUT | RO | 0x0 |
| 18 | EP9_IN | RO | 0x0 |
| 17 | EP8_OUT | RO | 0x0 |
| 16 | EP8_IN | RO | 0x0 |
| 15 | EP7_OUT | RO | 0x0 |
| 14 | EP7_IN | RO | 0x0 |
| 13 | EP6_OUT | RO | 0x0 |
| 12 | EP6_IN | RO | 0x0 |
| 11 | EP5_OUT | RO | 0x0 |
| 10 | EP5_IN | RO | 0x0 |
| 9 | EP4_OUT | RO | 0x0 |
| 8 | EP4_IN | RO | 0x0 |
| 7 | EP3_OUT | RO | 0x0 |
| 6 | EP3_IN | RO | 0x0 |
| 5 | EP2_OUT | RO | 0x0 |
| 4 | EP2_IN | RO | 0x0 |
| 3 | EP1_OUT | RO | 0x0 |
| 2 | EP1_IN | RO | 0x0 |
| 1 | EP0_OUT | RO | 0x0 |

| Bits | Description | Type | Reset |
|------|-------------|------|-------|
| 0 | EP0_IN | RO | 0x0 |

USB: EP_ABORT Register

Offset: 0x060

Description

Device only: Can be set to ignore the buffer control register for this endpoint in case you would like to revoke a buffer. A NAK will be sent for every access to the endpoint until this bit is cleared. A corresponding bit in `EP_ABORT_DONE` is set when it is safe to modify the buffer control register.

Table 1206.
EP_ABORT Register

| Bits | Description | Type | Reset |
|------|-------------|------|-------|
| 31 | EP15_OUT | RW | 0x0 |
| 30 | EP15_IN | RW | 0x0 |
| 29 | EP14_OUT | RW | 0x0 |
| 28 | EP14_IN | RW | 0x0 |
| 27 | EP13_OUT | RW | 0x0 |
| 26 | EP13_IN | RW | 0x0 |
| 25 | EP12_OUT | RW | 0x0 |
| 24 | EP12_IN | RW | 0x0 |
| 23 | EP11_OUT | RW | 0x0 |
| 22 | EP11_IN | RW | 0x0 |
| 21 | EP10_OUT | RW | 0x0 |
| 20 | EP10_IN | RW | 0x0 |
| 19 | EP9_OUT | RW | 0x0 |
| 18 | EP9_IN | RW | 0x0 |
| 17 | EP8_OUT | RW | 0x0 |
| 16 | EP8_IN | RW | 0x0 |
| 15 | EP7_OUT | RW | 0x0 |
| 14 | EP7_IN | RW | 0x0 |
| 13 | EP6_OUT | RW | 0x0 |
| 12 | EP6_IN | RW | 0x0 |
| 11 | EP5_OUT | RW | 0x0 |
| 10 | EP5_IN | RW | 0x0 |
| 9 | EP4_OUT | RW | 0x0 |
| 8 | EP4_IN | RW | 0x0 |
| 7 | EP3_OUT | RW | 0x0 |
| 6 | EP3_IN | RW | 0x0 |
| 5 | EP2_OUT | RW | 0x0 |
| 4 | EP2_IN | RW | 0x0 |

| Bits | Description | Type | Reset |
|------|-------------|------|-------|
| 3 | EP1_OUT | RW | 0x0 |
| 2 | EP1_IN | RW | 0x0 |
| 1 | EP0_OUT | RW | 0x0 |
| 0 | EP0_IN | RW | 0x0 |

USB: EP_ABORT_DONE Register

Offset: 0x064

Description

Device only: Used in conjunction with EP_ABORT. Set once an endpoint is idle so the programmer knows it is safe to modify the buffer control register.

Table 1207.
EP_ABORT_DONE
Register

| Bits | Description | Type | Reset |
|------|-------------|------|-------|
| 31 | EP15_OUT | WC | 0x0 |
| 30 | EP15_IN | WC | 0x0 |
| 29 | EP14_OUT | WC | 0x0 |
| 28 | EP14_IN | WC | 0x0 |
| 27 | EP13_OUT | WC | 0x0 |
| 26 | EP13_IN | WC | 0x0 |
| 25 | EP12_OUT | WC | 0x0 |
| 24 | EP12_IN | WC | 0x0 |
| 23 | EP11_OUT | WC | 0x0 |
| 22 | EP11_IN | WC | 0x0 |
| 21 | EP10_OUT | WC | 0x0 |
| 20 | EP10_IN | WC | 0x0 |
| 19 | EP9_OUT | WC | 0x0 |
| 18 | EP9_IN | WC | 0x0 |
| 17 | EP8_OUT | WC | 0x0 |
| 16 | EP8_IN | WC | 0x0 |
| 15 | EP7_OUT | WC | 0x0 |
| 14 | EP7_IN | WC | 0x0 |
| 13 | EP6_OUT | WC | 0x0 |
| 12 | EP6_IN | WC | 0x0 |
| 11 | EP5_OUT | WC | 0x0 |
| 10 | EP5_IN | WC | 0x0 |
| 9 | EP4_OUT | WC | 0x0 |
| 8 | EP4_IN | WC | 0x0 |
| 7 | EP3_OUT | WC | 0x0 |
| 6 | EP3_IN | WC | 0x0 |

| Bits | Description | Type | Reset |
|------|-------------|------|-------|
| 5 | EP2_OUT | WC | 0x0 |
| 4 | EP2_IN | WC | 0x0 |
| 3 | EP1_OUT | WC | 0x0 |
| 2 | EP1_IN | WC | 0x0 |
| 1 | EP0_OUT | WC | 0x0 |
| 0 | EP0_IN | WC | 0x0 |

USB: EP_STALL_ARM Register

Offset: 0x068

Description

Device: this bit must be set in conjunction with the **STALL** bit in the buffer control register to send a STALL on EP0. The device controller clears these bits when a SETUP packet is received because the USB spec requires that a STALL condition is cleared when a SETUP packet is received.

Table 1208.
EP_STALL_ARM Register

| Bits | Description | Type | Reset |
|------|-------------|------|-------|
| 31:2 | Reserved. | - | - |
| 1 | EP0_OUT | RW | 0x0 |
| 0 | EP0_IN | RW | 0x0 |

USB: NAK_POLL Register

Offset: 0x06c

Description

Used by the host controller. Sets the wait time in microseconds before trying again if the device replies with a NAK.

Table 1209.
NAK_POLL Register

| Bits | Description | Type | Reset |
|-------|--|------|-------|
| 31:28 | RETRY_COUNT_HI : Bits 9:6 of nak_retry count | RO | 0x0 |
| 27 | EPX_STOPPED_ON_NAK : EPX polling has stopped because a nak was received | WC | 0x0 |
| 26 | STOP_EPX_ON_NAK : Stop polling epX when a nak is received | RW | 0x0 |
| 25:16 | DELAY_FS : NAK polling interval for a full speed device | RW | 0x010 |
| 15:10 | RETRY_COUNT_LO : Bits 5:0 of nak_retry_count | RO | 0x00 |
| 9:0 | DELAY_LS : NAK polling interval for a low speed device | RW | 0x010 |

USB: EP_STATUS_STALL_NAK Register

Offset: 0x070

Description

Device: bits are set when the **IRQ_ON_NAK** or **IRQ_ON_STALL** bits are set. For EP0 this comes from **SIE_CTRL**. For all other endpoints it comes from the endpoint control register.

Table 1210.
EP_STATUS_STALL_NAK Register

| Bits | Description | Type | Reset |
|------|-------------|------|-------|
| 31 | EP15_OUT | WC | 0x0 |
| 30 | EP15_IN | WC | 0x0 |

| Bits | Description | Type | Reset |
|------|-------------|------|-------|
| 29 | EP14_OUT | WC | 0x0 |
| 28 | EP14_IN | WC | 0x0 |
| 27 | EP13_OUT | WC | 0x0 |
| 26 | EP13_IN | WC | 0x0 |
| 25 | EP12_OUT | WC | 0x0 |
| 24 | EP12_IN | WC | 0x0 |
| 23 | EP11_OUT | WC | 0x0 |
| 22 | EP11_IN | WC | 0x0 |
| 21 | EP10_OUT | WC | 0x0 |
| 20 | EP10_IN | WC | 0x0 |
| 19 | EP9_OUT | WC | 0x0 |
| 18 | EP9_IN | WC | 0x0 |
| 17 | EP8_OUT | WC | 0x0 |
| 16 | EP8_IN | WC | 0x0 |
| 15 | EP7_OUT | WC | 0x0 |
| 14 | EP7_IN | WC | 0x0 |
| 13 | EP6_OUT | WC | 0x0 |
| 12 | EP6_IN | WC | 0x0 |
| 11 | EP5_OUT | WC | 0x0 |
| 10 | EP5_IN | WC | 0x0 |
| 9 | EP4_OUT | WC | 0x0 |
| 8 | EP4_IN | WC | 0x0 |
| 7 | EP3_OUT | WC | 0x0 |
| 6 | EP3_IN | WC | 0x0 |
| 5 | EP2_OUT | WC | 0x0 |
| 4 | EP2_IN | WC | 0x0 |
| 3 | EP1_OUT | WC | 0x0 |
| 2 | EP1_IN | WC | 0x0 |
| 1 | EP0_OUT | WC | 0x0 |
| 0 | EP0_IN | WC | 0x0 |

USB: USB_MUXING Register

Offset: 0x074

Description

Where to connect the USB controller. Should be to_phy by default.

Table 1211.
USB_MUXING Register

| Bits | Description | Type | Reset |
|------|---|------|-------|
| 31 | SWAP_DPDM: Swap the USB PHY DP and DM pins and all related controls and flip receive differential data. Can be used to switch USB DP/DP on the PCB. This is done at a low level so overrides all other controls. | RW | 0x0 |
| 30:5 | Reserved. | - | - |
| 4 | USBPHY_AS_GPIO: Use the usb DP and DM pins as GPIO pins instead of connecting them to the USB controller. | RW | 0x0 |
| 3 | SOFTCON | RW | 0x0 |
| 2 | TO_DIGITAL_PAD | RW | 0x0 |
| 1 | TO_EXTPHY | RW | 0x0 |
| 0 | TO_PHY | RW | 0x1 |

USB: USB_PWR Register

Offset: 0x078

Description

Overrides for the power signals in the event that the VBUS signals are not hooked up to GPIO. Set the value of the override and then the override enable to switch over to the override value.

Table 1212. USB_PWR Register

| Bits | Description | Type | Reset |
|------|--------------------------------|------|-------|
| 31:6 | Reserved. | - | - |
| 5 | OVERCURR_DETECT_EN | RW | 0x0 |
| 4 | OVERCURR_DETECT | RW | 0x0 |
| 3 | VBUS_DETECT_OVERRIDE_EN | RW | 0x0 |
| 2 | VBUS_DETECT | RW | 0x0 |
| 1 | VBUS_EN_OVERRIDE_EN | RW | 0x0 |
| 0 | VBUS_EN | RW | 0x0 |

USB: USBPHY_DIRECT Register

Offset: 0x07c

Description

This register allows for direct control of the USB phy. Use in conjunction with usbphy_direct_override register to enable each override bit.

Table 1213.
USBPHY_DIRECT Register

| Bits | Description | Type | Reset |
|-------|---|------|-------|
| 31:26 | Reserved. | - | - |
| 25 | RX_DM_OVERRIDE: Override rx_dm value into controller | RW | 0x0 |
| 24 | RX_DP_OVERRIDE: Override rx_dp value into controller | RW | 0x0 |
| 23 | RX_DD_OVERRIDE: Override rx_dd value into controller | RW | 0x0 |
| 22 | DM_OVV: DM over voltage | RO | 0x0 |
| 21 | DP_OVV: DP over voltage | RO | 0x0 |
| 20 | DM_OVCN: DM overcurrent | RO | 0x0 |

| Bits | Description | Type | Reset |
|------|---|------|-------|
| 19 | DP_OVCN : DP overcurrent | RO | 0x0 |
| 18 | RX_DM : DPM pin state | RO | 0x0 |
| 17 | RX_DP : DPP pin state | RO | 0x0 |
| 16 | RX_DD : Differential RX | RO | 0x0 |
| 15 | TX_DIFFMODE : TX_DIFFMODE=0: Single ended mode TX_DIFFMODE=1: Differential drive mode (TX_DM, TX_DM_OE ignored) | RW | 0x0 |
| 14 | TX_FSSLEW : TX_FSSLEW=0: Low speed slew rate TX_FSSLEW=1: Full speed slew rate | RW | 0x0 |
| 13 | TX_PD : TX power down override (if override enable is set). 1 = powered down. | RW | 0x0 |
| 12 | RX_PD : RX power down override (if override enable is set). 1 = powered down. | RW | 0x0 |
| 11 | TX_DM : Output data. TX_DIFFMODE=1, Ignored TX_DIFFMODE=0, Drives DPM only. TX_DM_OE=1 to enable drive. DPM=TX_DM | RW | 0x0 |
| 10 | TX_DP : Output data. If TX_DIFFMODE=1, Drives DPP/DPM diff pair. TX_DP_OE=1 to enable drive. DPP=TX_DP, DPM=~TX_DP If TX_DIFFMODE=0, Drives DPP only. TX_DP_OE=1 to enable drive. DPP=TX_DP | RW | 0x0 |
| 9 | TX_DM_OE : Output enable. If TX_DIFFMODE=1, Ignored. If TX_DIFFMODE=0, OE for DPM only. 0 - DPM in Hi-Z state; 1 - DPM driving | RW | 0x0 |
| 8 | TX_DP_OE : Output enable. If TX_DIFFMODE=1, OE for DPP/DPM diff pair. 0 - DPP/DPM in Hi-Z state; 1 - DPP/DPM driving If TX_DIFFMODE=0, OE for DPP only. 0 - DPP in Hi-Z state; 1 - DPP driving | RW | 0x0 |
| 7 | Reserved. | - | - |
| 6 | DM_PULLDN_EN : DM pull down enable | RW | 0x0 |
| 5 | DM_PULLUP_EN : DM pull up enable | RW | 0x0 |
| 4 | DM_PULLUP_HISEL : Enable the second DM pull up resistor. 0 - Pull = Rpu2; 1 - Pull = Rpu1 + Rpu2 | RW | 0x0 |
| 3 | Reserved. | - | - |
| 2 | DP_PULLDN_EN : DP pull down enable | RW | 0x0 |
| 1 | DP_PULLUP_EN : DP pull up enable | RW | 0x0 |
| 0 | DP_PULLUP_HISEL : Enable the second DP pull up resistor. 0 - Pull = Rpu2; 1 - Pull = Rpu1 + Rpu2 | RW | 0x0 |

USB: USBPHY_DIRECT_OVERRIDE Register

Offset: 0x080

Description

Override enable for each control in usbphy_direct

Table 1214.
USBPHY_DIRECT_OVERRIDE Register

| Bits | Description | Type | Reset |
|-------|--------------------------|------|-------|
| 31:19 | Reserved. | - | - |
| 18 | RX_DM_OVERRIDE_EN | RW | 0x0 |

| Bits | Description | Type | Reset |
|-------|------------------------------------|------|-------|
| 17 | RX_DP_OVERRIDE_EN | RW | 0x0 |
| 16 | RX_DD_OVERRIDE_EN | RW | 0x0 |
| 15 | TX_DIFFMODE_OVERRIDE_EN | RW | 0x0 |
| 14:13 | Reserved. | - | - |
| 12 | DM_PULLUP_OVERRIDE_EN | RW | 0x0 |
| 11 | TX_FSSLEW_OVERRIDE_EN | RW | 0x0 |
| 10 | TX_PD_OVERRIDE_EN | RW | 0x0 |
| 9 | RX_PD_OVERRIDE_EN | RW | 0x0 |
| 8 | TX_DM_OVERRIDE_EN | RW | 0x0 |
| 7 | TX_DP_OVERRIDE_EN | RW | 0x0 |
| 6 | TX_DM_OE_OVERRIDE_EN | RW | 0x0 |
| 5 | TX_DP_OE_OVERRIDE_EN | RW | 0x0 |
| 4 | DM_PULLDN_EN_OVERRIDE_EN | RW | 0x0 |
| 3 | DP_PULLDN_EN_OVERRIDE_EN | RW | 0x0 |
| 2 | DP_PULLUP_EN_OVERRIDE_EN | RW | 0x0 |
| 1 | DM_PULLUP_HISEL_OVERRIDE_EN | RW | 0x0 |
| 0 | DP_PULLUP_HISEL_OVERRIDE_EN | RW | 0x0 |

USB: USBPHY_TRIM Register

Offset: 0x084

Description

Used to adjust trim values of USB phy pull down resistors.

Table 1215.
USBPHY_TRIM
Register

| Bits | Description | Type | Reset |
|-------|--|------|-------|
| 31:13 | Reserved. | - | - |
| 12:8 | DM_PULLDN_TRIM : Value to drive to USB PHY DM pulldown resistor trim control Experimental data suggests that the reset value will work, but this register allows adjustment if required | RW | 0x1f |
| 7:5 | Reserved. | - | - |
| 4:0 | DP_PULLDN_TRIM : Value to drive to USB PHY DP pulldown resistor trim control Experimental data suggests that the reset value will work, but this register allows adjustment if required | RW | 0x1f |

USB: LINESTATE_TUNING Register

Offset: 0x088

Description

Used for debug only.

Table 1216.
LINESTATE_TUNING
Register

| Bits | Description | Type | Reset |
|-------|---|------|-------|
| 31:12 | Reserved. | - | - |
| 11:8 | SPARE_FIX | RW | 0x0 |
| 7 | DEV_LS_WAKE_FIX : Device - exit suspend on any non-idle signalling, not qualified with a 1ms timer | RW | 0x1 |
| 6 | DEV_RX_ERR QUIESCE : Device - suppress repeated errors until the device FSM is next in the process of decoding an inbound packet. | RW | 0x1 |
| 5 | SIE_RX_CHATTER_SE0_FIX : RX - when recovering from line chatter or bitstuff errors, treat SE0 as the end of chatter as well as 8 consecutive idle bits. | RW | 0x1 |
| 4 | SIE_RX_BITSTUFF_FIX : RX - when a bitstuff error is signalled by rx_dasm, unconditionally terminate RX decode to avoid a hang during certain packet phases. | RW | 0x1 |
| 3 | DEV_BUFF_CONTROL_DOUBLE_READ_FIX : Device - the controller FSM performs two reads of the buffer status memory address to avoid sampling metastable data. An enabled buffer is only used if both reads match. | RW | 0x1 |
| 2 | MULTI_HUB_FIX : Host - increase inter-packet and turnaround timeouts to accommodate worst-case hub delays. | RW | 0x0 |
| 1 | LINESTATE_DELAY : Device/Host - add an extra 1-bit debounce of linestate sampling. | RW | 0x0 |
| 0 | RCV_DELAY : Device - register the received data to account for hub bit dribble before EOP. Only affects certain hubs. | RW | 0x0 |

USB: INTR Register

Offset: 0x08c

Description

Raw Interrupts

Table 1217. INTR
Register

| Bits | Description | Type | Reset |
|-------|---|------|-------|
| 31:24 | Reserved. | - | - |
| 23 | EPX_STOPPED_ON_NAK : Source: NAK_POLL.EPX_STOPPED_ON_NAK | RO | 0x0 |
| 22 | DEV_SM_WATCHDOG FIRED : Source: DEV_SM_WATCHDOG.FIRED | RO | 0x0 |
| 21 | ENDPOINT_ERROR : Source: SIE_STATUS.ENDPOINT_ERROR | RO | 0x0 |
| 20 | RX_SHORT_PACKET : Source: SIE_STATUS.RX_SHORT_PACKET | RO | 0x0 |
| 19 | EP_STALL_NAK : Raised when any bit in EP_STATUS_STALL_NAK is set. Clear by clearing all bits in EP_STATUS_STALL_NAK. | RO | 0x0 |
| 18 | ABORT_DONE : Raised when any bit in ABORT_DONE is set. Clear by clearing all bits in ABORT_DONE. | RO | 0x0 |
| 17 | DEV_SOF : Set every time the device receives a SOF (Start of Frame) packet. Cleared by reading SOF_RD | RO | 0x0 |
| 16 | SETUP_REQ : Device. Source: SIE_STATUS.SETUP_REC | RO | 0x0 |
| 15 | DEV_RESUME_FROM_HOST : Set when the device receives a resume from the host. Cleared by writing to SIE_STATUS.RESUME | RO | 0x0 |

| Bits | Description | Type | Reset |
|------|--|------|-------|
| 14 | DEV_SUSPEND: Set when the device suspend state changes. Cleared by writing to SIE_STATUS.SUSPENDED | RO | 0x0 |
| 13 | DEV_CONN_DIS: Set when the device connection state changes. Cleared by writing to SIE_STATUS.CONNECTED | RO | 0x0 |
| 12 | BUS_RESET: Source: SIE_STATUS.BUS_RESET | RO | 0x0 |
| 11 | VBUS_DETECT: Source: SIE_STATUS.VBUS_DETECTED | RO | 0x0 |
| 10 | STALL: Source: SIE_STATUS.STALL_REC | RO | 0x0 |
| 9 | ERROR_CRC: Source: SIE_STATUS.CRC_ERROR | RO | 0x0 |
| 8 | ERROR_BIT_STUFF: Source: SIE_STATUS.BIT_STUFF_ERROR | RO | 0x0 |
| 7 | ERROR_RX_OVERFLOW: Source: SIE_STATUS.RX_OVERFLOW | RO | 0x0 |
| 6 | ERROR_RX_TIMEOUT: Source: SIE_STATUS.RX_TIMEOUT | RO | 0x0 |
| 5 | ERROR_DATA_SEQ: Source: SIE_STATUS.DATA_SEQ_ERROR | RO | 0x0 |
| 4 | BUFF_STATUS: Raised when any bit in BUFF_STATUS is set. Clear by clearing all bits in BUFF_STATUS. | RO | 0x0 |
| 3 | TRANS_COMPLETE: Raised every time SIE_STATUS.TRANS_COMPLETE is set. Clear by writing to this bit. | RO | 0x0 |
| 2 | HOST_SOF: Host: raised every time the host sends a SOF (Start of Frame). Cleared by reading SOF_RD | RO | 0x0 |
| 1 | HOST_RESUME: Host: raised when a device wakes up the host. Cleared by writing to SIE_STATUS.RESUME | RO | 0x0 |
| 0 | HOST_CONN_DIS: Host: raised when a device is connected or disconnected (i.e. when SIE_STATUS.SPEED changes). Cleared by writing to SIE_STATUS.SPEED | RO | 0x0 |

USB: INTE Register

Offset: 0x090

Description

Interrupt Enable

Table 1218. INTE Register

| Bits | Description | Type | Reset |
|-------|--|------|-------|
| 31:24 | Reserved. | - | - |
| 23 | EPX_STOPPED_ON_NAK: Source: NAK_POLL.EPX_STOPPED_ON_NAK | RW | 0x0 |
| 22 | DEV_SM_WATCHDOG_FIRED: Source: DEV_SM_WATCHDOG.FIRED | RW | 0x0 |
| 21 | ENDPOINT_ERROR: Source: SIE_STATUS.ENDPOINT_ERROR | RW | 0x0 |
| 20 | RX_SHORT_PACKET: Source: SIE_STATUS.RX_SHORT_PACKET | RW | 0x0 |
| 19 | EP_STALL_NAK: Raised when any bit in EP_STATUS_STALL_NAK is set. Clear by clearing all bits in EP_STATUS_STALL_NAK. | RW | 0x0 |
| 18 | ABORT_DONE: Raised when any bit in ABORT_DONE is set. Clear by clearing all bits in ABORT_DONE. | RW | 0x0 |
| 17 | DEV_SOF: Set every time the device receives a SOF (Start of Frame) packet. Cleared by reading SOF_RD | RW | 0x0 |

| Bits | Description | Type | Reset |
|------|---|------|-------|
| 16 | SETUP_REQ : Device. Source: SIE_STATUS.SETUP_REC | RW | 0x0 |
| 15 | DEV_RESUME_FROM_HOST : Set when the device receives a resume from the host. Cleared by writing to SIE_STATUS.RESUME | RW | 0x0 |
| 14 | DEV_SUSPEND : Set when the device suspend state changes. Cleared by writing to SIE_STATUS.SUSPENDED | RW | 0x0 |
| 13 | DEV_CONN_DIS : Set when the device connection state changes. Cleared by writing to SIE_STATUS.CONNECTED | RW | 0x0 |
| 12 | BUS_RESET : Source: SIE_STATUS.BUS_RESET | RW | 0x0 |
| 11 | VBUS_DETECT : Source: SIE_STATUS.VBUS_DETECTED | RW | 0x0 |
| 10 | STALL : Source: SIE_STATUS.STALL_REC | RW | 0x0 |
| 9 | ERROR_CRC : Source: SIE_STATUS.CRC_ERROR | RW | 0x0 |
| 8 | ERROR_BIT_STUFF : Source: SIE_STATUS.BIT_STUFF_ERROR | RW | 0x0 |
| 7 | ERROR_RX_OVERFLOW : Source: SIE_STATUS.RX_OVERFLOW | RW | 0x0 |
| 6 | ERROR_RX_TIMEOUT : Source: SIE_STATUS.RX_TIMEOUT | RW | 0x0 |
| 5 | ERROR_DATA_SEQ : Source: SIE_STATUS.DATA_SEQ_ERROR | RW | 0x0 |
| 4 | BUFF_STATUS : Raised when any bit in BUFF_STATUS is set. Clear by clearing all bits in BUFF_STATUS. | RW | 0x0 |
| 3 | TRANS_COMPLETE : Raised every time SIE_STATUS.TRANS_COMPLETE is set. Clear by writing to this bit. | RW | 0x0 |
| 2 | HOST_SOF : Host: raised every time the host sends a SOF (Start of Frame). Cleared by reading SOF_RD | RW | 0x0 |
| 1 | HOST_RESUME : Host: raised when a device wakes up the host. Cleared by writing to SIE_STATUS.RESUME | RW | 0x0 |
| 0 | HOST_CONN_DIS : Host: raised when a device is connected or disconnected (i.e. when SIE_STATUS.SPEED changes). Cleared by writing to SIE_STATUS.SPEED | RW | 0x0 |

USB: INTF Register

Offset: 0x094

Description

Interrupt Force

Table 1219. INTF Register

| Bits | Description | Type | Reset |
|-------|---|------|-------|
| 31:24 | Reserved. | - | - |
| 23 | EPX_STOPPED_ON_NAK : Source: NAK_POLL.EPX_STOPPED_ON_NAK | RW | 0x0 |
| 22 | DEV_SM_WATCHDOG_FIRED : Source: DEV_SM_WATCHDOG.FIRED | RW | 0x0 |
| 21 | ENDPOINT_ERROR : Source: SIE_STATUS.ENDPOINT_ERROR | RW | 0x0 |
| 20 | RX_SHORT_PACKET : Source: SIE_STATUS.RX_SHORT_PACKET | RW | 0x0 |
| 19 | EP_STALL_NAK : Raised when any bit in EP_STATUS_STALL_NAK is set. Clear by clearing all bits in EP_STATUS_STALL_NAK. | RW | 0x0 |

| Bits | Description | Type | Reset |
|------|---|------|-------|
| 18 | ABORT_DONE : Raised when any bit in ABORT_DONE is set. Clear by clearing all bits in ABORT_DONE. | RW | 0x0 |
| 17 | DEV_SOF : Set every time the device receives a SOF (Start of Frame) packet. Cleared by reading SOF_RD | RW | 0x0 |
| 16 | SETUP_REQ : Device. Source: SIE_STATUS.SETUP_REC | RW | 0x0 |
| 15 | DEV_RESUME_FROM_HOST : Set when the device receives a resume from the host. Cleared by writing to SIE_STATUS.RESUME | RW | 0x0 |
| 14 | DEV_SUSPEND : Set when the device suspend state changes. Cleared by writing to SIE_STATUS.SUSPENDED | RW | 0x0 |
| 13 | DEV_CONN_DIS : Set when the device connection state changes. Cleared by writing to SIE_STATUS.CONNECTED | RW | 0x0 |
| 12 | BUS_RESET : Source: SIE_STATUS.BUS_RESET | RW | 0x0 |
| 11 | VBUS_DETECT : Source: SIE_STATUS.VBUS_DETECTED | RW | 0x0 |
| 10 | STALL : Source: SIE_STATUS.STALL_REC | RW | 0x0 |
| 9 | ERROR_CRC : Source: SIE_STATUS.CRC_ERROR | RW | 0x0 |
| 8 | ERROR_BIT_STUFF : Source: SIE_STATUS.BIT_STUFF_ERROR | RW | 0x0 |
| 7 | ERROR_RX_OVERFLOW : Source: SIE_STATUS.RX_OVERFLOW | RW | 0x0 |
| 6 | ERROR_RX_TIMEOUT : Source: SIE_STATUS.RX_TIMEOUT | RW | 0x0 |
| 5 | ERROR_DATA_SEQ : Source: SIE_STATUS.DATA_SEQ_ERROR | RW | 0x0 |
| 4 | BUFF_STATUS : Raised when any bit in BUFF_STATUS is set. Clear by clearing all bits in BUFF_STATUS. | RW | 0x0 |
| 3 | TRANS_COMPLETE : Raised every time SIE_STATUS.TRANS_COMPLETE is set. Clear by writing to this bit. | RW | 0x0 |
| 2 | HOST_SOF : Host: raised every time the host sends a SOF (Start of Frame). Cleared by reading SOF_RD | RW | 0x0 |
| 1 | HOST_RESUME : Host: raised when a device wakes up the host. Cleared by writing to SIE_STATUS.RESUME | RW | 0x0 |
| 0 | HOST_CONN_DIS : Host: raised when a device is connected or disconnected (i.e. when SIE_STATUS.SPEED changes). Cleared by writing to SIE_STATUS.SPEED | RW | 0x0 |

USB: INTS Register

Offset: 0x098

Description

Interrupt status after masking & forcing

Table 1220. INTS Register

| Bits | Description | Type | Reset |
|-------|---|------|-------|
| 31:24 | Reserved. | - | - |
| 23 | EPX_STOPPED_ON_NAK : Source: NAK_POLL.EPX_STOPPED_ON_NAK | RO | 0x0 |
| 22 | DEV_SM_WATCHDOG FIRED : Source: DEV_SM_WATCHDOG.FIRED | RO | 0x0 |
| 21 | ENDPOINT_ERROR : Source: SIE_STATUS.ENDPOINT_ERROR | RO | 0x0 |

| Bits | Description | Type | Reset |
|------|---|------|-------|
| 20 | RX_SHORT_PACKET : Source: SIE_STATUS.RX_SHORT_PACKET | RO | 0x0 |
| 19 | EP_STALL_NAK : Raised when any bit in EP_STATUS_STALL_NAK is set. Clear by clearing all bits in EP_STATUS_STALL_NAK. | RO | 0x0 |
| 18 | ABORT_DONE : Raised when any bit in ABORT_DONE is set. Clear by clearing all bits in ABORT_DONE. | RO | 0x0 |
| 17 | DEV_SOF : Set every time the device receives a SOF (Start of Frame) packet. Cleared by reading SOF_RD | RO | 0x0 |
| 16 | SETUP_REQ : Device. Source: SIE_STATUS.SETUP_REC | RO | 0x0 |
| 15 | DEV_RESUME_FROM_HOST : Set when the device receives a resume from the host. Cleared by writing to SIE_STATUS.RESUME | RO | 0x0 |
| 14 | DEV_SUSPEND : Set when the device suspend state changes. Cleared by writing to SIE_STATUS.SUSPENDED | RO | 0x0 |
| 13 | DEV_CONN_DIS : Set when the device connection state changes. Cleared by writing to SIE_STATUS.CONNECTED | RO | 0x0 |
| 12 | BUS_RESET : Source: SIE_STATUS.BUS_RESET | RO | 0x0 |
| 11 | VBUS_DETECT : Source: SIE_STATUS.VBUS_DETECTED | RO | 0x0 |
| 10 | STALL : Source: SIE_STATUS.STALL_REC | RO | 0x0 |
| 9 | ERROR_CRC : Source: SIE_STATUS.CRC_ERROR | RO | 0x0 |
| 8 | ERROR_BIT_STUFF : Source: SIE_STATUS.BIT_STUFF_ERROR | RO | 0x0 |
| 7 | ERROR_RX_OVERFLOW : Source: SIE_STATUS.RX_OVERFLOW | RO | 0x0 |
| 6 | ERROR_RX_TIMEOUT : Source: SIE_STATUS.RX_TIMEOUT | RO | 0x0 |
| 5 | ERROR_DATA_SEQ : Source: SIE_STATUS.DATA_SEQ_ERROR | RO | 0x0 |
| 4 | BUFF_STATUS : Raised when any bit in BUFF_STATUS is set. Clear by clearing all bits in BUFF_STATUS. | RO | 0x0 |
| 3 | TRANS_COMPLETE : Raised every time SIE_STATUS.TRANS_COMPLETE is set. Clear by writing to this bit. | RO | 0x0 |
| 2 | HOST_SOF : Host: raised every time the host sends a SOF (Start of Frame). Cleared by reading SOF_RD | RO | 0x0 |
| 1 | HOST_RESUME : Host: raised when a device wakes up the host. Cleared by writing to SIE_STATUS.RESUME | RO | 0x0 |
| 0 | HOST_CONN_DIS : Host: raised when a device is connected or disconnected (i.e. when SIE_STATUS.SPEED changes). Cleared by writing to SIE_STATUS.SPEED | RO | 0x0 |

USB: SOF_TIMESTAMP_RAW Register

Offset: 0x100

Table 1221.
SOF_TIMESTAMP_RA
W Register

| Bits | Description | Type | Reset |
|-------|---|------|----------|
| 31:21 | Reserved. | - | - |
| 20:0 | Device only. Raw value of free-running PHY clock counter @48MHz. Used to calculate time between SOF events. | RO | 0x000000 |

USB: SOF_TIMESTAMP_LAST Register

Offset: 0x104

Table 1222.
SOF_TIMESTAMP_LAS
T Register

| Bits | Description | Type | Reset |
|-------|---|------|----------|
| 31:21 | Reserved. | - | - |
| 20:0 | Device only. Value of free-running PHY clock counter @48MHz when last SOF event occurred. | RO | 0x000000 |

USB: SM_STATE Register

Offset: 0x108

Table 1223.
SM_STATE Register

| Bits | Description | Type | Reset |
|-------|-----------------|------|-------|
| 31:12 | Reserved. | - | - |
| 11:8 | RX_DASM | RO | 0x0 |
| 7:5 | BC_STATE | RO | 0x0 |
| 4:0 | STATE | RO | 0x00 |

USB: EP_TX_ERROR Register

Offset: 0x10c

Description

TX error count for each endpoint. Write to each field to reset the counter to 0.

Table 1224.
EP_TX_ERROR
Register

| Bits | Description | Type | Reset |
|-------|-------------|------|-------|
| 31:30 | EP15 | WC | 0x0 |
| 29:28 | EP14 | WC | 0x0 |
| 27:26 | EP13 | WC | 0x0 |
| 25:24 | EP12 | WC | 0x0 |
| 23:22 | EP11 | WC | 0x0 |
| 21:20 | EP10 | WC | 0x0 |
| 19:18 | EP9 | WC | 0x0 |
| 17:16 | EP8 | WC | 0x0 |
| 15:14 | EP7 | WC | 0x0 |
| 13:12 | EP6 | WC | 0x0 |
| 11:10 | EP5 | WC | 0x0 |
| 9:8 | EP4 | WC | 0x0 |
| 7:6 | EP3 | WC | 0x0 |

| Bits | Description | Type | Reset |
|------|-------------|------|-------|
| 5:4 | EP2 | WC | 0x0 |
| 3:2 | EP1 | WC | 0x0 |
| 1:0 | EP0 | WC | 0x0 |

USB: EP_RX_ERROR Register

Offset: 0x110

Description

RX error count for each endpoint. Write to each field to reset the counter to 0.

Table 1225.
EP_RX_ERROR
Register

| Bits | Description | Type | Reset |
|------|------------------|------|-------|
| 31 | EP15_SEQ | WC | 0x0 |
| 30 | EP15_TRANSACTION | WC | 0x0 |
| 29 | EP14_SEQ | WC | 0x0 |
| 28 | EP14_TRANSACTION | WC | 0x0 |
| 27 | EP13_SEQ | WC | 0x0 |
| 26 | EP13_TRANSACTION | WC | 0x0 |
| 25 | EP12_SEQ | WC | 0x0 |
| 24 | EP12_TRANSACTION | WC | 0x0 |
| 23 | EP11_SEQ | WC | 0x0 |
| 22 | EP11_TRANSACTION | WC | 0x0 |
| 21 | EP10_SEQ | WC | 0x0 |
| 20 | EP10_TRANSACTION | WC | 0x0 |
| 19 | EP9_SEQ | WC | 0x0 |
| 18 | EP9_TRANSACTION | WC | 0x0 |
| 17 | EP8_SEQ | WC | 0x0 |
| 16 | EP8_TRANSACTION | WC | 0x0 |
| 15 | EP7_SEQ | WC | 0x0 |
| 14 | EP7_TRANSACTION | WC | 0x0 |
| 13 | EP6_SEQ | WC | 0x0 |
| 12 | EP6_TRANSACTION | WC | 0x0 |
| 11 | EP5_SEQ | WC | 0x0 |
| 10 | EP5_TRANSACTION | WC | 0x0 |
| 9 | EP4_SEQ | WC | 0x0 |
| 8 | EP4_TRANSACTION | WC | 0x0 |
| 7 | EP3_SEQ | WC | 0x0 |
| 6 | EP3_TRANSACTION | WC | 0x0 |
| 5 | EP2_SEQ | WC | 0x0 |

| Bits | Description | Type | Reset |
|------|-----------------|------|-------|
| 4 | EP2_TRANSACTION | WC | 0x0 |
| 3 | EP1_SEQ | WC | 0x0 |
| 2 | EP1_TRANSACTION | WC | 0x0 |
| 1 | EP0_SEQ | WC | 0x0 |
| 0 | EP0_TRANSACTION | WC | 0x0 |

USB: DEV_SM_WATCHDOG Register

Offset: 0x114

Description

Watchdog that forces the device state machine to idle and raises an interrupt if the device stays in a state that isn't idle for the configured limit. The counter is reset on every state transition.

Set limit while enable is low and then set the enable.

Table 1226.
DEV_SM_WATCHDOG
Register

| Bits | Description | Type | Reset |
|-------|---|------|---------|
| 31:21 | Reserved. | - | - |
| 20 | FIRED | WC | 0x0 |
| 19 | RESET: Set to 1 to forcibly reset the device state machine on watchdog expiry | RW | 0x0 |
| 18 | ENABLE | RW | 0x0 |
| 17:0 | LIMIT | RW | 0x00000 |

12.8. System timers

12.8.1. Overview

The system timer peripheral on RP2350 provides a microsecond timebase for the system, and generates interrupts based on this timebase. RP2350 has two instances of the system timer: **TIMER0** and **TIMER1**. This allows for two separately controlled timers, each in a different security domain. It supports the following features:

- A single 64-bit counter, incrementing once per microsecond
 - Read from a pair of latching registers for race-free reads over a 32-bit bus
- Four alarms that match on the lower 32 bits of the counter and generate IRQ on match

The timer uses a one microsecond reference generated by the tick generators (see [Section 8.5](#)), and derived from the reference clock ([Figure 33](#)), which itself is usually connected directly to the crystal oscillator ([Section 8.2](#)).

The 64-bit counter effectively cannot overflow (thousands of years at 1 MHz), so the system timer is completely monotonic in practice.

12.8.1.1. Changes from RP2040

- RP2350 now has two timer instances: **TIMER0** and **TIMER1**
- On RP2350, the tick source for each timer comes from the system-level tick generators (see [Section 8.5](#))
- RP2350 added two new registers: **LOCKED** is used to disable write access to the timer, and **SOURCE** allows the timer to

count system clock cycles rather than a 1 μ s tick

12.8.1.2. Other timer resources on RP2350

The system timer provides a global timebase for software. RP2350 has a number of other programmable counter resources which can provide regular interrupts, or trigger DMA transfers.

- The PWM (Section 12.5) contains 12 \times 16-bit programmable counters. These counters:
 - run at up to system speed
 - can generate interrupts to either of two system IRQ lines
 - can be continuously reprogrammed via the DMA
 - can trigger DMA transfers to other peripherals
- 12 \times PIO state machines (Chapter 11) can count 32-bit values at system speed, and generate interrupts.
- The DMA (Section 12.6) has four internal pacing timers which trigger transfers at regular intervals.
- Each Cortex-M33 core (Section 3.7) has a standard 24-bit SysTick timer, counting either the microsecond tick (Section 8.5) or the system clock.
- SIO has a standard 64-bit RISC-V platform timer (Section 3.1.8). Arm and RISC-V software can use this timer.
- The Power Manager (Chapter 6) incorporates a 64-bit timer (AON Timer) which nominally counts milliseconds (see Section 12.10). This is the only timer that runs when the chip is in its lowest power state, with all switchable power domains powered down. It is used to schedule power-ups.

12.8.2. Counter

The timer has a 64-bit counter, but RP2350 only has a 32-bit data bus. This means that the `TIME` value is accessed through a pair of registers. These are:

- `TIMEHW` and `TIMELW` to write the time
- `TIMEHR` and `TIMELR` to read the time

To use these pairs, access the lower register, `L`, followed by the higher register, `H`. In the read case, reading the `L` register latches the value in the `H` register to provide an accurate time. To read the raw time without any latching, use `TIMERAWH` and `TIMERAWL`.

CAUTION

Don't write to the `TIMEHW` and `TIMELW` registers to force a new time value if other software may be using the timer. The SDK uses the time value for timeouts, elapsed time, and more, and expects the value to increase monotonically.

12.8.3. Alarms

The timer has 4 alarms, and outputs a separate interrupt for each alarm. The alarms match on the lower 32 bits of the 64-bit counter, which means they can be fired at a maximum of 2^{32} microseconds into the future. This is equivalent to:

- $2^{32} \div 10^6$: ~4295 seconds
- $4295 \div 60$: ~72 minutes

i NOTE

This timer supports alarm intervals on the order of one microsecond to one hour. For a longer alarm, see [Section 12.10](#).

To enable an alarm:

1. Enable the interrupt at the timer with a write to the appropriate alarm bit in `INTE` (e.g. `(1 << 0)` for `ALARM0`).
2. Enable the appropriate timer interrupt at the processor (see [Section 3.2](#)).
3. Write the time you would like the interrupt to fire to `ALARM0` (i.e. the current value in `TIMERAWL` plus your desired alarm time in microseconds). Writing the time to the `ALARM` register sets the `ARMED` bit as a side effect.

Once the alarm has fired, the `ARMED` bit clears to `0`. To clear the latched interrupt, write a `1` to the appropriate bit in `INTR`.

12.8.4. Programmer's model

i NOTE

The timer's tick (see [Section 8.5](#)) must be running for the timer to start counting. The SDK starts this tick as part of the platform initialisation code.

12.8.4.1. Reading the time

i NOTE

Time here refers to the number of microseconds since the timer was started, not a clock. For a clock, see [Section 12.10](#).

To read the 64-bit time, read `TIMELR` followed by `TIMEHR`. Reading `TIMELR` latches (stops) the value in `TIMEHR` until `TIMEHR` is read. Because RP2350 has 2 cores, it is unsafe to do this if the second core executes code that can also access the timer, or if the timer is read concurrently in an IRQ handler and in thread mode. If one core reads `TIMELR` followed by another core reading `TIMELR`, the value in `TIMEHR` isn't necessarily accurate. The example below shows the simplest form of getting the 64-bit time:

Pico Examples: https://github.com/raspberrypi/pico-examples/blob/master/timer/timer_lowlevel/timer_lowlevel.c Lines 15 - 23

```
15 // Simplest form of getting 64 bit time from the timer.
16 // It isn't safe when called from 2 cores because of the latching
17 // so isn't implemented this way in the sdk
18 static uint64_t get_time(void) {
19     // Reading low latches the high value
20     uint32_t lo = timer_hw->timelr;
21     uint32_t hi = timer_hw->timehr;
22     return ((uint64_t) hi << 32u) | lo;
23 }
```

The SDK provides a `time_us_64` function that uses a more thorough method to get the 64-bit time, which makes use of the `TIMERAWH` and `TIMERAWL` registers. The `RAW` registers don't latch, making `time_us_64` safe to call from multiple cores at once.

SDK: https://github.com/raspberrypi/pico-sdk/blob/master/src/rp2_common/hardware_timer/timer.c Lines 57 - 73

```

57 uint64_t timer_time_us_64(timer_hw_t *timer) {
58     // Need to make sure that the upper 32 bits of the timer
59     // don't change, so read that first
60     uint32_t hi = timer->timerawh;
61     uint32_t lo;
62     do {
63         // Read the lower 32 bits
64         lo = timer->timerawl;
65         // Now read the upper 32 bits again and
66         // check that it hasn't incremented. If it has loop around
67         // and read the lower 32 bits again to get an accurate value
68         uint32_t next_hi = timer->timerawh;
69         if (hi == next_hi) break;
70         hi = next_hi;
71     } while (true);
72     return ((uint64_t) hi << 32u) | lo;
73 }

```

12.8.4.2. Set an alarm

The standalone timer example, `timer_lowlevel`, demonstrates how to set an alarm at a hardware level without the additional abstraction over the timer provided by SDK. To use these abstractions, see [Section 12.8.4.4](#).

Pico Examples: https://github.com/raspberrypi/pico-examples/blob/master/timer/timer_lowlevel/timer_lowlevel.c Lines 27 - 74

```

27 // Use alarm 0
28 #define ALARM_NUM 0
29 #define ALARM_IRQ timer_hardware_alarm_get_irq_num(timer_hw, ALARM_NUM)
30
31 // Alarm interrupt handler
32 static volatile bool alarm_fired;
33
34 static void alarm_irq(void) {
35     // Clear the alarm irq
36     hw_clear_bits(&timer_hw->intr, 1u << ALARM_NUM);
37
38     // Assume alarm 0 has fired
39     printf("Alarm IRQ fired\n");
40     alarm_fired = true;
41 }
42
43 static void alarm_in_us(uint32_t delay_us) {
44     // Enable the interrupt for our alarm (the timer outputs 4 alarm irqs)
45     hw_set_bits(&timer_hw->inte, 1u << ALARM_NUM);
46     // Set irq handler for alarm irq
47     irq_set_exclusive_handler(ALARM_IRQ, alarm_irq);
48     // Enable the alarm irq
49     irq_set_enabled(ALARM_IRQ, true);
50     // Enable interrupt in block and at processor
51
52     // Alarm is only 32 bits so if trying to delay more
53     // than that need to be careful and keep track of the upper
54     // bits
55     uint64_t target = timer_hw->timerawl + delay_us;
56
57     // Write the lower 32 bits of the target time to the alarm which
58     // will arm it
59     timer_hw->alarm[ALARM_NUM] = (uint32_t) target;

```

```

60 }
61
62 int main() {
63     stdio_init_all();
64     printf("Timer lowlevel!\n");
65
66     // Set alarm every 2 seconds
67     while (1) {
68         alarm_fired = false;
69         alarm_in_us(1000000 * 2);
70         // Wait for alarm to fire
71         while (!alarm_fired);
72     }
73 }

```

12.8.4.3. Busy wait

If you don't want to use an alarm to wait for a period of time, use a while loop instead. The SDK provides various `busy_wait_` functions to do this:

SDK: https://github.com/raspberrypi/pico-sdk/blob/master/src/rp2_common/hardware_timer/timer.c Lines 77 - 122

```

77 void timer_busy_wait_us_32(timer_hw_t *timer, uint32_t delay_us) {
78     if (0 <= (int32_t)delay_us) {
79         // we only allow 31 bits, otherwise we could have a race in the loop below with
80         // values very close to 2^32
81         uint32_t start = timer->timerawl;
82         while (timer->timerawl - start < delay_us) {
83             tight_loop_contents();
84         }
85     } else {
86         busy_wait_us(delay_us);
87     }
88 }
89
90 void timer_busy_wait_us(timer_hw_t *timer, uint64_t delay_us) {
91     uint64_t base = timer_time_us_64(timer);
92     uint64_t target = base + delay_us;
93     if (target < base) {
94         target = (uint64_t)-1;
95     }
96     absolute_time_t t;
97     update_us_since_boot(&t, target);
98     timer_busy_wait_until(timer, t);
99 }
100
101 void timer_busy_wait_ms(timer_hw_t *timer, uint32_t delay_ms)
102 {
103     if (delay_ms <= 0x7fffffffu / 1000) {
104         timer_busy_wait_us_32(timer, delay_ms * 1000);
105     } else {
106         timer_busy_wait_us(timer, delay_ms * 1000ull);
107     }
108 }
109
110 void timer_busy_wait_until(timer_hw_t *timer, absolute_time_t t) {
111     uint64_t target = to_us_since_boot(t);
112     uint32_t hi_target = (uint32_t)(target >> 32u);
113     uint32_t hi = timer->timerawh;
114     while (hi < hi_target) {

```

```

115     hi = timer->timerawh;
116     tight_loop_contents();
117 }
118 while (hi == hi_target && timer->timerawl < (uint32_t) target) {
119     hi = timer->timerawh;
120     tight_loop_contents();
121 }
122 }

```

12.8.4.4. Complete example using SDK

Pico Examples: https://github.com/raspberrypi/pico-examples/blob/master/timer/hello_timer/hello_timer.c Lines 11 - 57

```

11 volatile bool timer_fired = false;
12
13 int64_t alarm_callback(alarm_id_t id, __unused void *user_data) {
14     printf("Timer %d fired!\n", (int) id);
15     timer_fired = true;
16     // Can return a value here in us to fire in the future
17     return 0;
18 }
19
20 bool repeating_timer_callback(__unused struct repeating_timer *t) {
21     printf("Repeat at %lld\n", time_us_64());
22     return true;
23 }
24
25 int main() {
26     stdio_init_all();
27     printf("Hello Timer!\n");
28
29     // Call alarm_callback in 2 seconds
30     add_alarm_in_ms(2000, alarm_callback, NULL, false);
31
32     // Wait for alarm callback to set timer_fired
33     while (!timer_fired) {
34         tight_loop_contents();
35     }
36
37     // Create a repeating timer that calls repeating_timer_callback.
38     // If the delay is > 0 then this is the delay between the previous callback ending and the
39     // next starting.
40     // If the delay is negative (see below) then the next call to the callback will be exactly
41     // 500ms after the
42     // start of the call to the last callback
43     struct repeating_timer timer;
44     add_repeating_timer_ms(500, repeating_timer_callback, NULL, &timer);
45     sleep_ms(3000);
46     bool cancelled = cancel_repeating_timer(&timer);
47     printf("cancelled... %d\n", cancelled);
48     sleep_ms(2000);
49
50     // Negative delay so means we will call repeating_timer_callback, and call it again
51     // 500ms later regardless of how long the callback took to execute
52     add_repeating_timer_ms(-500, repeating_timer_callback, NULL, &timer);
53     sleep_ms(3000);
54     cancelled = cancel_repeating_timer(&timer);
55     printf("cancelled... %d\n", cancelled);
56     sleep_ms(2000);
57     printf("Done\n");

```

```
56     return 0;
57 }
```

12.8.5. List of registers

The `TIMER0` and `TIMER1` registers start at base addresses of `0x400b0000` and `0x400b8000` respectively (defined as `TIMER0_BASE` and `TIMER1_BASE` in SDK).

Table 1227. List of `TIMER` registers

| Offset | Name | Info |
|--------|-----------------------|--|
| 0x00 | <code>TIMEHW</code> | Write to bits 63:32 of time always write <code>timelw</code> before <code>timehw</code> |
| 0x04 | <code>TIMELW</code> | Write to bits 31:0 of time writes do not get copied to time until <code>timehw</code> is written |
| 0x08 | <code>TIMEHR</code> | Read from bits 63:32 of time always read <code>timelr</code> before <code>timehr</code> |
| 0x0c | <code>TIMELR</code> | Read from bits 31:0 of time |
| 0x10 | <code>ALARM0</code> | Arm alarm 0, and configure the time it will fire. Once armed, the alarm fires when <code>TIMER_ALARM0 == TIMELR</code> . The alarm will disarm itself once it fires, and can be disarmed early using the <code>ARMED</code> status register. |
| 0x14 | <code>ALARM1</code> | Arm alarm 1, and configure the time it will fire. Once armed, the alarm fires when <code>TIMER_ALARM1 == TIMELR</code> . The alarm will disarm itself once it fires, and can be disarmed early using the <code>ARMED</code> status register. |
| 0x18 | <code>ALARM2</code> | Arm alarm 2, and configure the time it will fire. Once armed, the alarm fires when <code>TIMER_ALARM2 == TIMELR</code> . The alarm will disarm itself once it fires, and can be disarmed early using the <code>ARMED</code> status register. |
| 0x1c | <code>ALARM3</code> | Arm alarm 3, and configure the time it will fire. Once armed, the alarm fires when <code>TIMER_ALARM3 == TIMELR</code> . The alarm will disarm itself once it fires, and can be disarmed early using the <code>ARMED</code> status register. |
| 0x20 | <code>ARMED</code> | Indicates the armed/disarmed status of each alarm. A write to the corresponding <code>ALARMx</code> register arms the alarm. Alarms automatically disarm upon firing, but writing ones here will disarm immediately without waiting to fire. |
| 0x24 | <code>TIMERAWH</code> | Raw read from bits 63:32 of time (no side effects) |
| 0x28 | <code>TIMERAWL</code> | Raw read from bits 31:0 of time (no side effects) |
| 0x2c | <code>DBGPAUSE</code> | Set bits high to enable pause when the corresponding debug ports are active |
| 0x30 | <code>PAUSE</code> | Set high to pause the timer |
| 0x34 | <code>LOCKED</code> | Set locked bit to disable write access to timer Once set, cannot be cleared (without a reset) |

| Offset | Name | Info |
|--------|------------------------|--|
| 0x38 | SOURCE | Selects the source for the timer. Defaults to the normal tick configured in the ticks block (typically configured to 1 microsecond). Writing to 1 will ignore the tick and count clk_sys cycles instead. |
| 0x3c | INTR | Raw Interrupts |
| 0x40 | INTE | Interrupt Enable |
| 0x44 | INTF | Interrupt Force |
| 0x48 | INTS | Interrupt status after masking & forcing |

TIMER: TIMEHW Register

Offset: 0x00

Table 1228. TIMEHW Register

| Bits | Description | Type | Reset |
|------|--|------|------------|
| 31:0 | Write to bits 63:32 of time always write timelw before timehw | WF | 0x00000000 |

TIMER: TIMELW Register

Offset: 0x04

Table 1229. TIMELW Register

| Bits | Description | Type | Reset |
|------|--|------|------------|
| 31:0 | Write to bits 31:0 of time writes do not get copied to time until timehw is written | WF | 0x00000000 |

TIMER: TIMEHR Register

Offset: 0x08

Table 1230. TIMEHR Register

| Bits | Description | Type | Reset |
|------|--|------|------------|
| 31:0 | Read from bits 63:32 of time always read timelr before timehr | RO | 0x00000000 |

TIMER: TIMELR Register

Offset: 0x0c

Table 1231. TIMELR Register

| Bits | Description | Type | Reset |
|------|-----------------------------|------|------------|
| 31:0 | Read from bits 31:0 of time | RO | 0x00000000 |

TIMER: ALARM0 Register

Offset: 0x10

Table 1232. ALARM0 Register

| Bits | Description | Type | Reset |
|------|---|------|------------|
| 31:0 | Arm alarm 0, and configure the time it will fire. Once armed, the alarm fires when <code>TIMER_ALARM0 == TIMELR</code> . The alarm will disarm itself once it fires, and can be disarmed early using the ARMED status register. | RW | 0x00000000 |

TIMER: ALARM1 Register

Offset: 0x14

Table 1233. ALARM1 Register

| Bits | Description | Type | Reset |
|------|---|------|------------|
| 31:0 | Arm alarm 1, and configure the time it will fire. Once armed, the alarm fires when <code>TIMER_ALARM1 == TIMELR</code> . The alarm will disarm itself once it fires, and can be disarmed early using the ARMED status register. | RW | 0x00000000 |

TIMER: ALARM2 Register

Offset: 0x18

Table 1234. ALARM2 Register

| Bits | Description | Type | Reset |
|------|---|------|------------|
| 31:0 | Arm alarm 2, and configure the time it will fire. Once armed, the alarm fires when <code>TIMER_ALARM2 == TIMELR</code> . The alarm will disarm itself once it fires, and can be disarmed early using the ARMED status register. | RW | 0x00000000 |

TIMER: ALARM3 Register

Offset: 0x1c

Table 1235. ALARM3 Register

| Bits | Description | Type | Reset |
|------|---|------|------------|
| 31:0 | Arm alarm 3, and configure the time it will fire. Once armed, the alarm fires when <code>TIMER_ALARM3 == TIMELR</code> . The alarm will disarm itself once it fires, and can be disarmed early using the ARMED status register. | RW | 0x00000000 |

TIMER: ARMED Register

Offset: 0x20

Table 1236. ARMED Register

| Bits | Description | Type | Reset |
|------|---|------|-------|
| 31:4 | Reserved. | - | - |
| 3:0 | Indicates the armed/disarmed status of each alarm. A write to the corresponding ALARMx register arms the alarm. Alarms automatically disarm upon firing, but writing ones here will disarm immediately without waiting to fire. | WC | 0x0 |

TIMER: TIMERAWH Register

Offset: 0x24

Table 1237.
TIMERAWH Register

| Bits | Description | Type | Reset |
|------|--|------|------------|
| 31:0 | Raw read from bits 63:32 of time (no side effects) | RO | 0x00000000 |

TIMER: TIMERAWL Register

Offset: 0x28

Table 1238.
TIMERAWL Register

| Bits | Description | Type | Reset |
|------|---|------|------------|
| 31:0 | Raw read from bits 31:0 of time (no side effects) | RO | 0x00000000 |

TIMER: DBGPAUSE Register

Offset: 0x2c

Description

Set bits high to enable pause when the corresponding debug ports are active

Table 1239.
DBGPAUSE Register

| Bits | Description | Type | Reset |
|------|---|------|-------|
| 31:3 | Reserved. | - | - |
| 2 | DBG1 : Pause when processor 1 is in debug mode | RW | 0x1 |
| 1 | DBG0 : Pause when processor 0 is in debug mode | RW | 0x1 |
| 0 | Reserved. | - | - |

TIMER: PAUSE Register

Offset: 0x30

Table 1240. PAUSE Register

| Bits | Description | Type | Reset |
|------|-----------------------------|------|-------|
| 31:1 | Reserved. | - | - |
| 0 | Set high to pause the timer | RW | 0x0 |

TIMER: LOCKED Register

Offset: 0x34

Table 1241. LOCKED Register

| Bits | Description | Type | Reset |
|------|--|------|-------|
| 31:1 | Reserved. | - | - |
| 0 | Set locked bit to disable write access to timer Once set, cannot be cleared (without a reset) | RW | 0x0 |

TIMER: SOURCE Register

Offset: 0x38

Description

Selects the source for the timer. Defaults to the normal tick configured in the ticks block (typically configured to 1 microsecond). Writing to 1 will ignore the tick and count clk_sys cycles instead.

Table 1242. SOURCE Register

| Bits | Description | Type | Reset |
|------|----------------|------|-------|
| 31:1 | Reserved. | - | - |
| 0 | CLK_SYS | RW | 0x0 |

| Bits | Description | Type | Reset |
|------|--------------------|------|-------|
| | Enumerated values: | | |
| | 0x0 → TICK | | |
| | 0x1 → CLK_SYS | | |

TIMER: INTR Register

Offset: 0x3c

Description

Raw Interrupts

Table 1243. INTR Register

| Bits | Description | Type | Reset |
|------|-------------|------|-------|
| 31:4 | Reserved. | - | - |
| 3 | ALARM_3 | WC | 0x0 |
| 2 | ALARM_2 | WC | 0x0 |
| 1 | ALARM_1 | WC | 0x0 |
| 0 | ALARM_0 | WC | 0x0 |

TIMER: INTE Register

Offset: 0x40

Description

Interrupt Enable

Table 1244. INTE Register

| Bits | Description | Type | Reset |
|------|-------------|------|-------|
| 31:4 | Reserved. | - | - |
| 3 | ALARM_3 | RW | 0x0 |
| 2 | ALARM_2 | RW | 0x0 |
| 1 | ALARM_1 | RW | 0x0 |
| 0 | ALARM_0 | RW | 0x0 |

TIMER: INTF Register

Offset: 0x44

Description

Interrupt Force

Table 1245. INTF Register

| Bits | Description | Type | Reset |
|------|-------------|------|-------|
| 31:4 | Reserved. | - | - |
| 3 | ALARM_3 | RW | 0x0 |
| 2 | ALARM_2 | RW | 0x0 |
| 1 | ALARM_1 | RW | 0x0 |
| 0 | ALARM_0 | RW | 0x0 |

TIMER: INTS Register

Offset: 0x48

Description

Interrupt status after masking & forcing

Table 1246. INTS Register

| Bits | Description | Type | Reset |
|------|----------------|------|-------|
| 31:4 | Reserved. | - | - |
| 3 | ALARM_3 | RO | 0x0 |
| 2 | ALARM_2 | RO | 0x0 |
| 1 | ALARM_1 | RO | 0x0 |
| 0 | ALARM_0 | RO | 0x0 |

12.9. Watchdog

12.9.1. Overview

The watchdog is a countdown timer which can be configured to reset selected components when it reaches zero. In normal operation it is periodically loaded with a non-zero value to prevent the reset occurring. If the chip locks up or software gets stuck in a loop, the reset allows recovery.

The watchdog is reset by any chip-level reset (see [Section 7.3](#)). The sources of the chip-level reset are:

- Power-On Reset (POR)
- Brown-out Detection (BOD)
- External Reset (from the RUN pin)
- Debugger Reset Request
- Rescue Debug Port Request
- Watchdog - a chip-level reset triggered by the Watchdog will reset the Watchdog
- SWCORE powerdown
- Glitch Detector
- Debugger HZD Reset Request

These are described in [Section 7.3.3](#).

12.9.2. Changes from RP2040

On RP2040, the watchdog contained a tick generator used to generate a 1µs tick for the watchdog. This was also distributed to the system timer. On RP2350, the watchdog instead takes a tick input from the system-level ticks block. See [Section 8.5](#).

As on RP2040 the watchdog can trigger a PSM (Power-on State Machine) sequence to reset system components or it can be used to reset selected subsystem components. On RP2350, the watchdog can also trigger a chip level reset.

12.9.3. Watchdog counter

The watchdog counter is loaded by the [LOAD](#) register. The current value can be seen in [CTRL.TIME](#).

12.9.4. Control watchdog reset levels

To control the level of reset triggered by a watchdog event, use the registers outside the watchdog register block:

- `POWMAN_WATCHDOG` allows the watchdog to trigger chip level resets
- `PSM_WDSEL` allows the watchdog to trigger system resets by running a full or partial PSM sequence (Power-on State Machine)
- `RESETS_WDSEL` allows the watchdog to trigger subsystem resets

These are described in the Resets section, see [Chapter 7](#).

12.9.5. Scratch registers

The watchdog contains eight 32-bit scratch registers that can store information between soft resets of the chip. The scratch registers reset when:

- the watchdog is used to trigger a chip level reset
- a `rst_n_run` event occurs, triggered by toggling the RUN pin or cycling the digital core supply (DVDD)

The bootrom checks the watchdog scratch registers for a magic number on boot. You can use this to soft reset the chip into user-specified code. See [Section 5.2.4](#) for more information.

i NOTE

Additional general-purpose scratch registers are available in POWMAN `SCRATCH0` through `SCRATCH7`. These registers also survive power cycling the switched core domain.

12.9.6. Programmer's model

The SDK provides a `hardware_watchdog` driver to control the watchdog.

12.9.6.1. Enabling the watchdog

SDK: https://github.com/raspberrypi/pico-sdk/blob/master/src/rp2_common/hardware_watchdog/watchdog.c Lines 47 - 76

```

47 // Helper function used by both watchdog_enable and watchdog_reboot
48 void _watchdog_enable(uint32_t delay_ms, bool pause_on_debug) {
49     valid_params_if(HARDWARE_WATCHDOG, delay_ms <= WATCHDOG_LOAD_BITS / (1000 *
        WATCHDOG_XFACTOR));
50     hw_clear_bits(&watchdog_hw->ctrl, WATCHDOG_CTRL_ENABLE_BITS);
51
52     // Reset everything apart from ROSC and XOSC
53     hw_set_bits(&psm_hw->wdsel, PSM_WDSEL_BITS & ~(PSM_WDSEL_ROSC_BITS |
        PSM_WDSEL_XOSC_BITS));
54
55     uint32_t dbg_bits = WATCHDOG_CTRL_PAUSE_DBG0_BITS |
56                         WATCHDOG_CTRL_PAUSE_DBG1_BITS |
57                         WATCHDOG_CTRL_PAUSE_JTAG_BITS;
58
59     if (pause_on_debug) {
60         hw_set_bits(&watchdog_hw->ctrl, dbg_bits);
61     } else {
62         hw_clear_bits(&watchdog_hw->ctrl, dbg_bits);
63     }
64

```

```

65     if (!delay_ms) {
66         hw_set_bits(&watchdog_hw->ctrl, WATCHDOG_CTRL_TRIGGER_BITS);
67     } else {
68         load_value = delay_ms * (1000 * WATCHDOG_XFACTOR);
69         if (load_value > WATCHDOG_LOAD_BITS)
70             load_value = WATCHDOG_LOAD_BITS;
71
72         watchdog_update();
73
74         hw_set_bits(&watchdog_hw->ctrl, WATCHDOG_CTRL_ENABLE_BITS);
75     }
76 }

```

12.9.6.2. Updating the watchdog counter

SDK: https://github.com/raspberrypi/pico-sdk/blob/master/src/rp2_common/hardware_watchdog/watchdog.c Lines 24 - 28

```

24 static uint32_t load_value;
25
26 void watchdog_update(void) {
27     watchdog_hw->load = load_value;
28 }

```

12.9.6.3. Usage

The Pico Examples repository provides a `hello_watchdog` example that uses the `hardware_watchdog` to demonstrate use of the watchdog.

Pico Examples: https://github.com/raspberrypi/pico-examples/blob/master/watchdog/hello_watchdog/hello_watchdog.c Lines 11 - 33

```

11 int main() {
12     stdio_init_all();
13
14     if (watchdog_enable_caused_reboot()) {
15         printf("Rebooted by Watchdog!\n");
16         return 0;
17     } else {
18         printf("Clean boot\n");
19     }
20
21     // Enable the watchdog, requiring the watchdog to be updated every 100ms or the chip will
    reboot
22     // second arg is pause on debug which means the watchdog will pause when stepping through
    code
23     watchdog_enable(100, 1);
24
25     for (uint i = 0; i < 5; i++) {
26         printf("Updating watchdog %d\n", i);
27         watchdog_update();
28     }
29
30     // Wait in an infinite loop and don't update the watchdog so it reboots us
31     printf("Waiting to be rebooted by watchdog\n");
32     while(1);
33 }

```

12.9.7. List of registers

The watchdog registers start at a base address of 0x400d8000 (defined as WATCHDOG_BASE in SDK).

Table 1247. List of WATCHDOG registers

| Offset | Name | Info |
|--------|----------|---|
| 0x00 | CTRL | Watchdog control The rst_wdsel register determines which subsystems are reset when the watchdog is triggered. The watchdog can be triggered in software. |
| 0x04 | LOAD | Load the watchdog timer. The maximum setting is 0xfffff which corresponds to approximately 16 seconds. |
| 0x08 | REASON | Logs the reason for the last reset. Both bits are zero for the case of a hardware reset. Additionally, as of RP2350, a debugger warm reset of either core (SYSRESETREQ or hartreset) will also clear the watchdog reason register, so that software loaded under the debugger following a watchdog timeout will not continue to see the timeout condition. |
| 0x0c | SCRATCH0 | Scratch register. Information persists through soft reset of the chip. |
| 0x10 | SCRATCH1 | Scratch register. Information persists through soft reset of the chip. |
| 0x14 | SCRATCH2 | Scratch register. Information persists through soft reset of the chip. |
| 0x18 | SCRATCH3 | Scratch register. Information persists through soft reset of the chip. |
| 0x1c | SCRATCH4 | Scratch register. Information persists through soft reset of the chip. |
| 0x20 | SCRATCH5 | Scratch register. Information persists through soft reset of the chip. |
| 0x24 | SCRATCH6 | Scratch register. Information persists through soft reset of the chip. |
| 0x28 | SCRATCH7 | Scratch register. Information persists through soft reset of the chip. |

WATCHDOG: CTRL Register

Offset: 0x00

Description

Watchdog control
The rst_wdsel register determines which subsystems are reset when the watchdog is triggered.
The watchdog can be triggered in software.

Table 1248. CTRL Register

| Bits | Description | Type | Reset |
|-------|---|------|-------|
| 31 | TRIGGER: Trigger a watchdog reset | SC | 0x0 |
| 30 | ENABLE: When not enabled the watchdog timer is paused | RW | 0x0 |
| 29:27 | Reserved. | - | - |
| 26 | PAUSE_DBG1: Pause the watchdog timer when processor 1 is in debug mode | RW | 0x1 |

| Bits | Description | Type | Reset |
|------|--|------|----------|
| 25 | PAUSE_DBG0 : Pause the watchdog timer when processor 0 is in debug mode | RW | 0x1 |
| 24 | PAUSE_JTAG : Pause the watchdog timer when JTAG is accessing the bus fabric | RW | 0x1 |
| 23:0 | TIME : Indicates the time in usec before a watchdog reset will be triggered | RO | 0x000000 |

WATCHDOG: LOAD Register

Offset: 0x04

Table 1249. LOAD Register

| Bits | Description | Type | Reset |
|-------|--|------|----------|
| 31:24 | Reserved. | - | - |
| 23:0 | Load the watchdog timer. The maximum setting is 0xfffff which corresponds to approximately 16 seconds. | WF | 0x000000 |

WATCHDOG: REASON Register

Offset: 0x08

Description

Logs the reason for the last reset. Both bits are zero for the case of a hardware reset.

Additionally, as of RP2350, a debugger warm reset of either core (SYSRESETREQ or hartreset) will also clear the watchdog reason register, so that software loaded under the debugger following a watchdog timeout will not continue to see the timeout condition.

Table 1250. REASON Register

| Bits | Description | Type | Reset |
|------|--------------|------|-------|
| 31:2 | Reserved. | - | - |
| 1 | FORCE | RO | 0x0 |
| 0 | TIMER | RO | 0x0 |

WATCHDOG: SCRATCH0, SCRATCH1, ..., SCRATCH6, SCRATCH7 Registers

Offsets: 0x0c, 0x10, ..., 0x24, 0x28

Table 1251. SCRATCH0, SCRATCH1, ..., SCRATCH6, SCRATCH7 Registers

| Bits | Description | Type | Reset |
|------|--|------|------------|
| 31:0 | Scratch register. Information persists through soft reset of the chip. | RW | 0x00000000 |

12.10. Always-on timer

12.10.1. Overview

The always-on timer (AON Timer) is the only timer that operates in all power modes. It can be used as a real-time counter or an interval timer and incorporates an alarm which can be used to trigger a power-up event or an interrupt. It incorporates a 64-bit counter intended to count 1ms ticks, but the tick generator can be configured to run faster or slower if required. Note that the AON Timer tick generator is independent of all other tick generators on the chip.

The default tick source is the 32kHz on-chip low-power oscillator (LPOSC), see [Section 8.4](#). The LPOSC frequency is not precise and may vary with voltage and temperature. When the chip core is powered, the tick source can be switched to the on-chip crystal oscillator (XOSC) for greater precision. If greater precision is also required when the chip core is

unpowered, then a 32kHz clock or a 1ms tick can be supplied from an external source. Alternatively, the AON Timer can be synchronised to an external 1Hz source.

The AON Timer is integrated with the power manager (POWMAN) and shares the POWMAN register block. Writes are limited to 16 bits because a key (`0x5afe`) is required in the top 16 bits to prevent erroneous writes from locking up the chip. Most AON Timer registers can be enabled for write by Non-secure software, unlike other POWMAN registers. However, the registers used to select an external clock, select an external tick source, and enable power-up on alarm can only be written by Secure software.

12.10.2. Changes from RP2040

The RP2040 Real Time Clock (RTC) is not used in RP2350. Instead, RP2350 has a timer in the Always-On power domain which is used for scheduling power-up events and can also be used as a real-time counter. The AON Timer works differently from the RP2040 RTC. It counts milliseconds to 64 bits and this value can be used to calculate the date and time in software if required.

12.10.3. Accessing the AON Timer

To start and stop the AON Timer, write to `TIMER.RUN`.

To read the current 64-bit AON Timer value, use the following 2 × 32-bit read-only registers:

- `READ_TIME_UPPER`
- `READ_TIME_LOWER`

Because the AON Timer can increment during a read, use the following procedure to protect against erroneous reads:

1. Read `READ_TIME_UPPER`
2. Read `READ_TIME_LOWER`
3. Read `READ_TIME_UPPER`
4. If the `READ_TIME_UPPER` value changes between steps 1 and 3, repeat the whole procedure

When used as a real time clock, the 64-bit time value is set using 4 × 16-bit registers. These registers can only be written when the AON Timer is stopped by writing a 0 to `TIMER.RUN`:

- `SET_TIME_63T048`
- `SET_TIME_47T032`
- `SET_TIME_31T016`
- `SET_TIME_15T00`

These registers cannot be used to read the time value.

When used as an interval timer, write a 1 to `TIMER.CLEAR` to clear the timer value. It is not necessary to stop the AON Timer to do this. The `TIMER.CLEAR` register is self-clearing: it returns to 0 when the operation completes. This allows easy implementation of an alarm that wakes the chip or generates an interrupt at regular intervals.

12.10.4. Using the alarm

To set the alarm time, use the following 4 × 16-bit registers:

- `ALARM_TIME_63T048`
- `ALARM_TIME_47T032`

- [ALARM_TIME_31T016](#)
- [ALARM_TIME_15T00](#)

To avoid false alarms, disable the alarm before setting the alarm time.

To enable the alarm, use [TIMER.ALARM_ENAB](#).

When the alarm fires, the AON Timer sets the alarm status flag [TIMER.ALARM](#).

To clear the alarm status flag, write a 1 to the alarm status flag.

To configure the alarm to trigger a power-up, set [TIMER.PWRUP_ON_ALARM](#). This feature is not available to Non-secure code.

The alarm can be configured to trigger an interrupt. The interrupt is handled in the standard way using the following register fields:

- [INTR.TIMER](#) - raw interrupt
- [INTE.TIMER](#) - interrupt enable
- [INTF.TIMER](#) - force interrupt
- [INTS.TIMER](#) - interrupt status

12.10.5. Selecting the AON Timer tick source

The AON Timer indicates the current configuration with read-only flags. [Table 1252](#) provides a list of sources supported by the 1kHz AON Timer tick.

Table 1252. AON
Timer tick generators

| Tick source | Read-only flag |
|----------------------|---------------------------------------|
| LPOSC clock division | TIMER.USING_LPOSC |
| XOSC clock division | TIMER.USING_XOSC |
| external 1kHz tick | TIMER.USING_GPIO_1KHZ |

i NOTE

The LPOSC clock can be substituted by an external 32kHz clock.

12.10.5.1. Using LPOSC as the AON Timer tick source

LPOSC is the default source and can be used in all power modes. It nominally runs at 32.768kHz and can only be tuned to 1% accuracy. The AON Timer derives the 1ms tick from the LPOSC using a 6.16 bit fractional divider whose divisor is initialised to 32.768. The divisor can be modified to achieve greater accuracy. Because the LPOSC frequency varies with supply voltage and temperature, accuracy is limited unless supply voltage and temperature are stable. To modify the divisor, write to the following registers:

- [LPOSC_FREQ_KHZ_INT](#) (default value: 32)
- [LPOSC_FREQ_KHZ_FRAC](#) (default value: 0.768)

These registers should only be written when [TIMER.RUN](#) = 0 or [TIMER.USING_LPOSC](#) = 0.

If the tick source is not LPOSC, you can switch it back to LPOSC by writing a 1 to [TIMER.USE_LPOSC](#). It is not necessary to stop the AON Timer to do this. The newly selected tick will be synchronised to the current tick, so the operation may take up to 1 tick cycle (1ms in normal operation). When the operation is complete, [TIMER.USE_LPOSC](#) will self-clear and [TIMER.USING_LPOSC](#) will be set. Due to sampling, a small error of up to 2 periods of the newly selected clock will be subtracted from the time. When switching to LPOSC at 32kHz, an error of up to 62µs will be subtracted.

12.10.5.2. Using an external clock in place of LPOSC

If LPOSC isn't sufficiently accurate, an external 32.768kHz clock can be used. This will be multiplexed onto the internal low-power clock and will therefore drive all components that are driven by that clock, including the power sequencer components. The external clock can be used in all power modes. When an external clock is in use, you can stop the LPOSC (see [Section 8.4](#)).

To select an external 32kHz clock:

1. Configure the GPIO source as described in [Section 12.10.7](#).
2. Switch to the external LPOSC by setting `EXT_TIME_REF.DRIVE_LPCK`. This register should only be written when `TIMER.RUN = 0` and the power sequencer is inactive. You can only write to this register from Secure code.

The external 32kHz clock replaces the clock from LPOSC. Therefore the same registers are used for AON Timer configuration (see [Section 12.10.5.1](#)):

- `TIMER.USE_LPOSC`
- `TIMER.USING_LPOSC`
- `LPOSC_FREQ_KHZ_INT`
- `LPOSC_FREQ_KHZ_FRAC`

12.10.5.3. Using the XOSC as the AON Timer tick source

The XOSC clock is provided via the reference clock (`clk_ref`). The user must ensure the reference clock is being driven from the XOSC before selecting it as the source of the AON Timer tick. This is the normal configuration following boot. To check, look for `CLK_REF_SELECTED = 0x4`. The reference clock may be a divided version of the XOSC. The divisor defaults to 1 and can be read from `CLK_REF_DIV.INT`. If the chip is operated with a faster XOSC, the clock sent to the AON Timer must not exceed 29MHz.

The AON Timer derives the 1ms tick from the XOSC using a 16.16 bit fractional divider whose divisor is initialised to 12000.0. This assumes a 12MHz crystal is used and the reference clock divisor is 1. If that is not the case, the divisor in the AON Timer can be modified by writing to the following registers:

- `XOSC_FREQ_KHZ_INT` (default value: 12000)
- `XOSC_FREQ_KHZ_FRAC` (default value: 0)

These registers should only be written when `TIMER.RUN = 0` or `TIMER.USING_XOSC = 0`.

To select the XOSC as the AON Timer tick source, write a 1 to `TIMER.USE_XOSC`. It is not necessary to stop the AON Timer to do this. The newly selected tick will be synchronised to the current tick, so the operation may take up to 1 tick cycle (1ms in normal operation). When the operation is complete `TIMER.USE_XOSC` will self-clear and `TIMER.USING_XOSC` will be set. Due to sampling, a small error of up to 2 periods of the newly selected clock will be subtracted from the time. When switching to XOSC at 12MHz an error of up to 167ns will be subtracted.

When the chip core is powered down the XOSC will stop. If `TIMER.USING_XOSC` is set, the power-down sequencer automatically reverts to `TIMER.USING_LPOSC` before the XOSC stops.

12.10.5.4. Using an external 1ms tick source

To select an external 1ms tick source, configure the GPIO source as described in [Section 12.10.7](#). Then, write a 1 to `TIMER.USE_GPIO_1KHZ`. It is not necessary to stop the AON Timer to do this, however the newly selected tick will not be synchronised to the current tick, so the operation so the operation will advance the time by up to 1ms. If using an external 1ms tick it is recommended to set the time after selecting the source. When the operation is complete `TIMER.USE_GPIO_1KHZ` will self-clear and `TIMER.USING_GPIO_1KHZ` will be set.

The tick is triggered from the falling edge of the selected GPIO. For correct sampling, the GPIO pulse width and interval must both be greater than the period of LPOSC (>31µs). This limits the maximum frequency of the external tick to

16kHz.

The external 1ms tick can be used in all power modes.

12.10.6. Synchronising the AON timer to an external 1Hz clock

In applications that use GPS, a 1s tick may be available. This can be used to synchronise the AON Timer and thus compensate for inaccuracy in the LPOSC frequency. It can be used with any tick source, but there is little to be gained if the selected source is already reasonably accurate.

If the LPOSC is fast, the ms counter pauses at a 1 second step until the 1s tick is received. If the LPOSC is slow, the 1s tick causes the ms counter to run very quickly until reaching the 1 second step. This ensures that all ms values are counted, ensuring that any alarm set to ms precision will fire. A more sophisticated synchronisation method can be implemented in software.

To use the hardware synchronisation feature, configure the GPIO source as described in [Section 12.10.7](#). Then, enable the feature by writing a 1 to `TIMER.USE_GPIO_1HZ`. This can be set at any time, it is not necessary to stop the AON Timer. When the operation is complete `TIMER.USE_GPIO_1HZ` will self-clear and `TIMER.USING_GPIO_1HZ` will be set.

The tick is triggered from the falling edge of the selected GPIO. For correct sampling, the GPIO pulse width and interval must be greater than the period of LPOSC (>31us).

The external 1s tick can be used in all power modes.

12.10.7. Using an external clock or tick from GPIO

The following features use a GPIO as a clock or a tick:

- external 32kHz clock source
- external 1kHz tick
- external 1Hz tick

Only 4 GPIOs are available for these features. You can only select one, because they share the same GPIO selection logic. The set of 4 GPIOs differs between package types. The selection is controlled by a 2-bit register field.

The AON Timer uses the following GPIOs:

- `EXT_TIME_REF.SOURCE_SEL = 0` → GPIO12
- `EXT_TIME_REF.SOURCE_SEL = 1` → GPIO20
- `EXT_TIME_REF.SOURCE_SEL = 2` → GPIO14
- `EXT_TIME_REF.SOURCE_SEL = 3` → GPIO22

12.10.8. Using a tick faster than 1ms

The tick rate can be increased by scaling the value written to the LPOSC and XOSC frequency registers. For example, if the frequency value is divided by 4 then the AON Timer will tick 4 times per ms. The minimum value that can be written to the frequency registers is 2.0, therefore the maximum upscaling using this method with LPOSC is 16, giving a time resolution of 1/16th of 1 ms (= 62.5us).

As described previously, the external tick is limited to 16kHz, so the maximum upscaling using this method is also 16. This gives a time resolution of 1/16th of 1 ms (62.5µs).

These limitations can be overcome either by using a faster external clock (see [Section 12.10.5.2](#)) or keeping the chip core powered so the AON Timer is always running from the XOSC. If a faster external clock is used then the power sequencer timings will also need to be adjusted.

For example, suppose 1µsec timer precision is required. The user could supply an external 2-25MHz clock in place of the LPOSC and program both the LPOSC and XOSC frequency registers in MHz units rather than kHz. The maximum frequency of the external clock is 29MHz.

12.10.9. List of registers

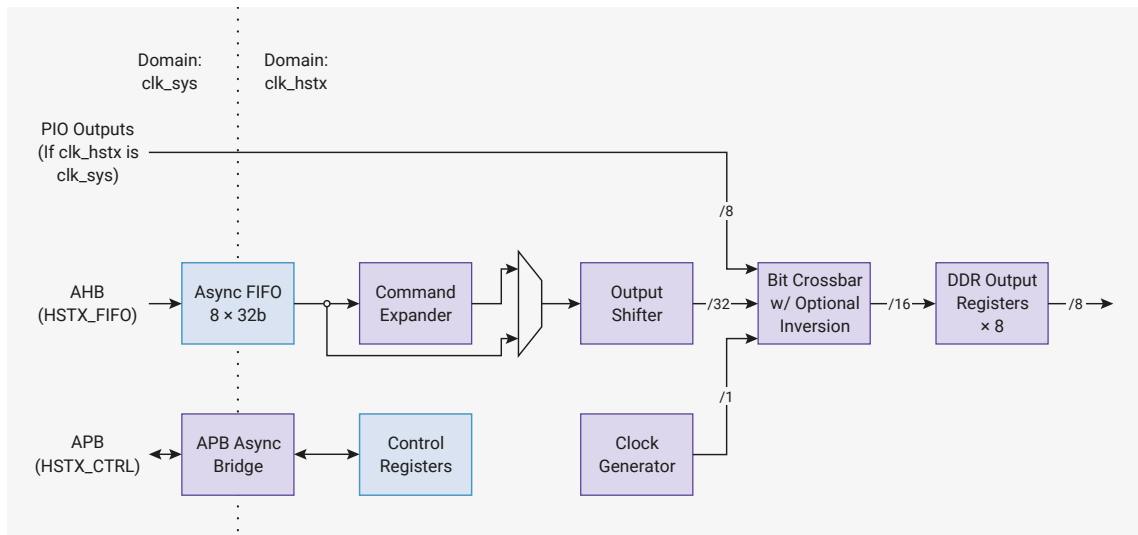
The AON Timer shares a register address space with the power management subsystems in the always-on domain. The address space is referred to as **POWMAN** elsewhere in this document and a complete list of **POWMAN** registers is provided in Section 6.4. The registers associated with the AON Timer are:

- SET_TIME_63TO48
- SET_TIME_47TO32
- SET_TIME_31TO16
- SET_TIME_15TO0
- READ_TIME_UPPER
- READ_TIME_LOWER
- ALARM_TIME_63TO48
- ALARM_TIME_47TO32
- ALARM_TIME_31TO16
- ALARM_TIME_15TO0
- TIMER

12.11. HSTX

The high-speed serial transmit (HSTX) streams data from the system clock domain to up to 8 GPIOs at a rate independent of the system clock. On RP2350, GPIOs 12 through 19 are HSTX-capable. HSTX is output-only.

Figure 126. A 32-bit-wide asynchronous FIFO provides high-bandwidth access from the system DMA. The command expander manipulates the datastream, and the output shift register portions the 32-bit data over successive HSTX clock cycles, swizzled by the bit crossbar. Outputs are double-data-rate: two bits per pin per cycle.



HSTX drives data through GPIOs using DDR output registers to transfer up to two bits per clock cycle per pin. The HSTX balances all delays to GPIO outputs within 300 picoseconds, minimising common-mode components when using neighbouring GPIOs as a pseudo-differential driver. This also helps maintain destination setup and hold time when a clock is driven alongside the output data.

The maximum frequency for the HSTX clock is 150 MHz, the same as the system clock. With DDR output operation, this

is a maximum data rate of 300 Mb/s per pin. There are no limits on the frequency ratio of the system and HSTX clocks, however each clock must be individually fast enough to maintain your required throughput. Very low system clock frequencies coupled with very high HSTX frequencies might encounter system DMA bandwidth limitations, since the DMA is capped at one HSTX FIFO write per system clock cycle.

12.11.1. Data FIFO

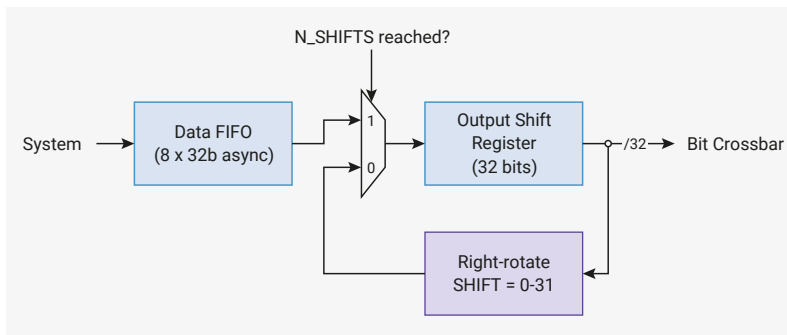
An 8-entry, 32-bit-wide FIFO buffers data between the system clock domain (`clk_sys`) and the HSTX clock domain (`clk_hstx`). This is accessed through the AHB `FASTPERI` arbiter, providing single-cycle write access from the DMA. The FIFO status is also available through this same bus interface, for faster polled processor IO; see [Section 12.11.8](#).

The FIFO is accessed through a bus interface separate from the control registers ([Section 12.11.7](#)), which take multiple cycles to access due to the asynchronous bus crossing. This design avoids incurring bus stalls on the system DMA or the `FASTPERI` arbiter when accessing the FIFO.

The HSTX side also pops 32 bits at a time from the FIFO. The word data stream from the FIFO is optionally manipulated by the command expander ([Section 12.11.5](#)) before being passed to the output shift register.

12.11.2. Output shift register

Figure 127. Every cycle, the output shift register either refills 32 bits from the FIFO or recirculates data through a right-rotate function. The rotate can be used to perform left or right shifts, and to repeat data.



The HSTX's internal data paths are 32 bits wide, but the output is narrower: no more than 16 bits can be output per HSTX cycle (8 GPIOs × DDR). The output shift register adapts these mismatched data widths. The output shift register is a 32-bit shift register, which always refills 32 bits at a time, either from the command expander output or directly from the data FIFO.

The source of data for the output shift register is configured by the `CSR.EXPAND_EN` field:

- when set, the command expander interposes the FIFO and the output shift register
- when clear, the command expander is bypassed, popping the FIFO directly into the shift register

Whenever `CSR.EN` is low, the shift register is flushed to empty. Once HSTX has been configured, and `EN` is set high, the shift register is ready to accept data, and will pop data as soon as it becomes available.

After popping the first data word, the shift register will now shift every HSTX clock cycle until it becomes empty. The shift behaviour is configured by:

- `CSR.N_SHIFTS`, which determines how many times to shift before the register is considered empty
- `CSR.SHIFT`, which is a right-rotate applied to the shift register every cycle

`CSR.N_SHIFTS` and `CSR.SHIFT` must only be changed when `CSR.EN` is low. It is safe to change these fields in the same register write that sets `EN` from low to high.

`SHIFT × N_SHIFTS` is not necessarily less than or equal to 32. For example, a `SHIFT` of 31 might be used to shift the register left by one bit per cycle, since right-rotate is a modular operation, and -1 is equal to 31 under a modulus of 32.

When the shift register is about to become empty, it will immediately refill with fresh data from the command expander or FIFO if data is available. When data is available, the shift register is never empty for any cycle. If data is not available,

the shift register becomes empty and stops shifting until more data is provided. Once data is provided, the shift register refills and begins shifting once again.

12.11.3. Bit crossbar

The bit crossbar controls which bits of the output shift register appear on which GPIOs during the first and second half of each HSTX clock cycle. There is a configuration register for each pin, [BIT0](#) through [BIT7](#):

- [BITx.SEL_P](#) selects which shift register bit (0 through 31) is output for the first half of each HSTX clock cycle
- [BITx.SEL_N](#) selects which shift register bit (0 through 31) is output for the second half of each clock cycle
- [BITx.INV](#) inverts the output (logical NOT)
- [BITx.CLK](#) indicates that this pin should be connected to the clock generator ([Section 12.11.4](#)) rather than the output shift register

To disable DDR behaviour set [SEL_N](#) equal to [SEL_P](#). To implement a differential output, configure two pins identically except for the [INV](#) bit, which should be set for one pin and clear for the other.

12.11.3.1. Examples: one pin

Together with the [SHIFT](#) and [N_SHIFTS](#) controls for the shift register, the pin configuration determines the data layout passed through the HSTX. Since not all of us are accustomed to thinking in four dimensions, it's worth going through some examples with a single pin:

- [N_SHIFTS](#) = 32, [SHIFT](#) = 1, [SEL_P](#) = 0, [SEL_N](#) = 0:
 - Shift out one bit per HSTX clock cycle, LSB-first.
 - Each cycle, the shift register advances to the right by one, and the least-significant bit at that time is presented to the pin for both halves of the cycle, since [SEL_P](#) and [SEL_N](#) both select the same bit.
- [N_SHIFTS](#) = 32, [SHIFT](#) = 31, [SEL_P](#) = 31, [SEL_N](#) = 31:
 - Shift out one bit per HSTX clock cycle, MSB-first.
 - Each cycle, the shift register advances to the left by one (or rather, wraps around the right-hand edge of the register and ends up one bit left of where it started), and the most-significant bit at that time is presented to the pin.
- [N_SHIFTS](#) = 16, [SHIFT](#) = 2, [SEL_P](#) = 0, [SEL_N](#) = 1:
 - Shift out two bits per HSTX clock cycle, LSB-first.
 - Each cycle, the shift register advances to the right by two. The least-significant bit is presented to the pin for the first half of that cycle, and the neighbouring bit is presented for the second half.
- [N_SHIFTS](#) = 16, [SHIFT](#) = 30, [SEL_P](#) = 31, [SEL_N](#) = 30:
 - Shift out two bits per HSTX clock cycle, MSB-first.
 - Each cycle, the shift register advances to the left by two. The most-significant bit is presented to the pin for the first half of that cycle, and the neighbouring bit is presented for the latter half.
- [N_SHIFTS](#) = 8, [SHIFT](#) = 4, [SEL_P](#) = 0, [SEL_N](#) = 0:
 - Shift out the least-significant bit in each group of 4 bits, over the course of 8 clock cycles.
 - Each cycle, the shift register advances to the right by four. The least-significant bit of the shift register is presented to the pin. The bit indices presented to the pin are therefore 0, 4, 8, 12, 16, 20, 24, and 28.
- [N_SHIFTS](#) = 32, [SHIFT](#) = 4, [SEL_P](#) = 0, [SEL_N](#) = 0:

- Same as the previous, but repeats the 8-cycle pattern four times before refreshing the shift register.
- Rotating by 32 restores the original value that was popped into the shift register from the FIFO or command expander.

12.11.3.2. Examples: multiple pins

The separation of shift register and bit crossbar allows both zipped and unzipped multi-bit records, once multiple pins are involved. For example, compare these two configurations:

- `N_SHIFTS = 8, SHIFT = 4, BIT0.SEL_P = 0, BIT0.SEL_N = 2, BIT1.SEL_P = 1, BIT1.SEL_N = 3:`
 - Each 32-bit word consists of 16 bit-pairs, and a new bit-pair is presented to `BIT0` and `BIT1` twice per cycle.
 - The shift register advances by 4 every cycle, introducing two new bit-pairs to the rightmost four bits of the shift register
- `N_SHIFTS = 8, SHIFT = 2, BIT0.SEL_P = 0, BIT0.SEL_N = 1, BIT1.SEL_P = 16, BIT1.SEL_N = 17:`
 - Each 32-bit word consists of a pair of 16-bit values, each of which is shifted to one pin out of `BIT0` and `BIT1` at a rate of two bits per cycle.
 - The shift register advances by two every cycle, introducing a new bit-pair to bits 1:0 for the `BIT0` pin, and also introducing a new bit-pair to bits 17:16 for the `BIT1` pin.

Depending on software needs, it might be preferable to pack together all of the bits output on the same cycle (zipped records), or all of the bits that go through the same pin (unzipped records), so HSTX supports both.

As a final, concrete example, take TMDS (used in DVI): here each 32-bit word contains 3×10 -bit TMDS symbols, each of which is serialised to a differential pair over the course of 10 TMDS bit times. For performance, it's preferable to make each HSTX clock period equal to two TMDS bit periods, by leveraging the DDR capability. A possible configuration would therefore be:

- `CSR: N_SHIFTS = 5, SHIFT = 2`
- `BIT0: SEL_P = 0, SEL_N = 1, INV = 0`
- `BIT1: SEL_P = 0, SEL_N = 1, INV = 1`
- `BIT2: SEL_P = 10, SEL_N = 11, INV = 0`
- `BIT3: SEL_P = 10, SEL_N = 11, INV = 1`
- `BIT4: SEL_P = 20, SEL_N = 21, INV = 0`
- `BIT5: SEL_P = 20, SEL_N = 21, INV = 1`

The missing piece for TMDS is the clock, which has a period of 10 TMDS bit periods, or 5 HSTX clock periods when shifting two bits per cycle per pin. HSTX has a special-purpose clock generator so that pseudo-clock bits do not have to be packed into the FIFO data stream. The clock generator is covered in the next section.

12.11.4. Clock generator

The clock generator is a counter that provides a periodic signal over the course of `n` HSTX clock cycles, configured by `CSR.CLKDIV`. The clock period is always an integer number of HSTX clock cycles, in the range 1 to 16 inclusive. The clock generator supports both odd and even periods, using the DDR outputs to support mid-HSTX-cycle output transitions. There is only a single clock generator — to emulate multiple clocks, pack pseudo-clock bits into FIFO data.

The clock generator increments on cycles where the output shift register is shifted. Generally, the clock period will be a divisor of `CSR.N_SHIFTS` so that clock and data maintain a consistent alignment. In the TMDS example in the previous section, a `CLKDIV` of 5 would be suitable, so that the clock repeats every time the shift register refreshes. This matches the requirement for a TMDS clock period of 10 bit periods, since two bits are transferred every cycle.

The clock generator output is connected to any pin whose `BITx.CLK` bit is set (e.g. `BIT0.CLK`). To produce differential

clock outputs, connect the clock to two pins, and invert one of them.

The `CSR.CLKPHASE` field defines the initial phase (count) of the clock generator, configured in units of one half HSTX clock cycle. The clock generator resets whenever `CSR.EN` is low and holds at this initial phase. Once `CSR.EN` is set and the output shift register begins to shift, the clock generator advances.

Clock generator output whilst `CSR.EN` is low is determined by the relation of clock period and initial clock phase: if the initial clock phase is less than one half clock period, then the output is initially low. Otherwise, it is initially high. The clock generator can be thought of as being low for the first half of each generation period, and high for the second half.

The maximum `CSR.CLKPHASE` is only 15 *half* HSTX clock cycles. The maximum `CSR.CLKDIV` is 16 *full* HSTX clock cycles: initial phases of greater than or equal to 180 degrees with the maximum clock period require the inversion of the clock using the bit crossbar inversion controls.

Only change `CSR.CLKPHASE` and `CSR.CLKDIV` when `CSR.EN` is low. It is safe to modify them in the same register write that sets `EN` from low to high.

12.11.4.1. Example: centre-aligned clock

When transmitting source-synchronous data, the data sink (the receiver) must not see data transitions too late before or too soon after the active edges of the clock. Violating these setup and hold constraints can lead to undefined operation of the external data sink.

Since the HSTX output delays are all mutually balanced, you can meet these constraints by placing clock transitions halfway between data transitions, known as centre-aligned clocking.

Since this positions the clock with a temporal resolution of one half of a bit time, the maximum data rate is one bit per HSTX clock cycle per pin. Because the clock already uses DDR, you cannot use DDR to increase the data rate. Therefore for all `BIT0` through `BIT7`, `BITx.SEL_N` is equal to `BITx.SEL_P`.

For single-data-rate data, with an active rising edge, use the following clock generator settings:

- `CSR.CLKDIV` = 1 (1 HSTX clock period)
- `CSR.CLKPHASE` = 1 (1/2 HSTX clock period)

The clock is delayed by half an HSTX cycle, to offset it from the launch of the first data.

For single-data-rate data, with an active *falling* edge, use the following clock generator settings:

- `CSR.CLKDIV` = 1 (1 HSTX clock period)
- `CSR.CLKPHASE` = 2 (1 HSTX clock period)

Alternatively, you could use the same settings as an active-rising edge clock, with the clock output inverted via the bit crossbar configuration.

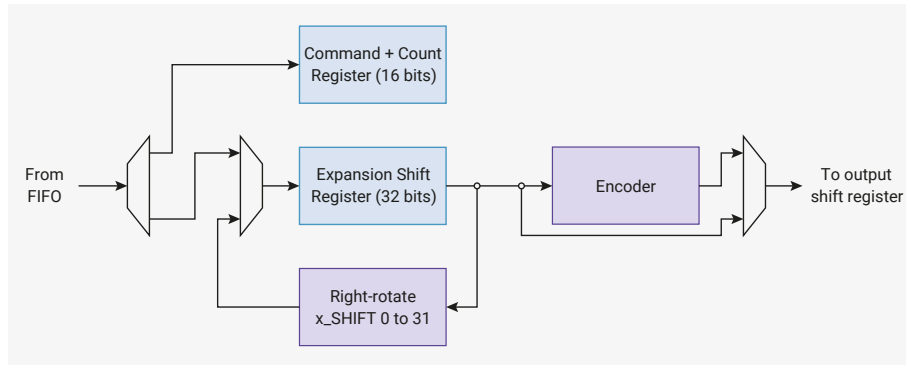
For double-data-rate data, with active rising and active falling edges, use the following clock generator settings:

- `CSR.CLKDIV` = 2 (2 HSTX clock period)
- `CSR.CLKPHASE` = 1 (1/2 HSTX clock period)

In all three cases, the data rate is the same, at 1 bit per HSTX clock cycle, per pin.

12.11.5. Command expander

Figure 128. A mixture of commands and data are popped from the FIFO. Data can be repeated or shifted through the expansion shift register, and optionally passed through an encoder before passing on to the output shift register.



The command expander can be inserted inline between the data FIFO and the output shift register to manipulate the stream of data words. In general, the output stream is larger than the input stream, hence the name expander. The command expander is enabled by setting `CSR.EXPAND_EN`. Only modify this field when `CSR.EN` is low. It is safe to modify this field in the same register write that sets `EN` from low to high. When the command expander is disabled, data passes directly from the data FIFO to the output shift register without being modified by the expander.

When the command expander is enabled, the data FIFO carries a mixture of data and commands for the expander. Each command consists of a 4-bit opcode and a 12-bit length, packed in the 16 LSBs of a data FIFO word, with the opcode in bits 15 through 12, and the length in bits 11 through 0. The available commands are:

- `0x0`: RAW
- `0x1`: RAW_REPEAT
- `0x2`: TMDS
- `0x3`: TMDS_REPEAT
- `0xf`: NOP

When the HSTX is first enabled, if the command expander is enabled, it expects the first word in the data FIFO to be a command. If this command is not a `NOP`, it will be followed by some amount of data, then another command. Operation continues in this manner, with runs of data interspersed with commands. A command always acts as a prefix to the data that follows it in the FIFO.

The count field determines the number of words output by this command to the output shift register downstream, from 1 to 4095. A count of 0 is reserved to mean "infinite". The number of words that this command reads from the data FIFO in order to produce the specified quantity of downstream data depends on the command and the `EXPAND_SHIFT.ENC_N_SHIFTS` and `EXPAND_SHIFT.RAW_N_SHIFTS` register fields.

The expansion shift register always pops from the FIFO once at the beginning of the command. After this point, commands bearing the `x_REPEAT` suffix continue to circulate the same contents through the shift register, rotating right by `EXPAND_SHIFT.ENC_SHIFT` or `EXPAND_SHIFT.RAW_SHIFT` each time the output shift register pulls new data from the command expander. Use a shift of 0 to repeat identical data without shifting. This is useful, for example, for transmitting runs of the same TMDS control symbol during horizontal blanking periods in DVI.

RP2350 only implements a TMDS encoder, reserving the remaining opcode space for additional encoders in the future. `RAW` and `RAW_REPEAT` commands bypass the encoder. `TMDS` and `TMDS_REPEAT` commands are TMDS-encoded before being passed to the output shift register. `NOP` commands have no data, therefore whether they bypass the encoder or not is a philosophical question beyond the scope of this datasheet.

The `EXPAND_SHIFT` register has two copies for each of its fields. Fields prefixed with `RAW_` are used for `RAW` and `RAW_REPEAT` commands. All other commands use fields prefixed with `ENC_`, which pass through the encoder. For example, in DVI, TMDS control symbols using `RAW_REPEAT` commands may be unshifted. Pixel data using TMDS commands may be shifted out one pixel at a time, so it is useful to have banked shift controls.

The `EXPAND_SHIFT.ENC_N_SHIFTS` and `EXPAND_SHIFT.RAW_N_SHIFTS` fields control how often the expansion shift register is refilled for encoded and raw commands respectively. `x_REPEAT` commands ignore these fields since they never refill from the FIFO, and function similarly to the `CSR.N_SHIFTS` field that controls the output shift register.

The command expander can only pop from the data FIFO once per cycle, so heavy use of commands (particularly `NOP`

commands) can impact HSTX throughput. For use cases that output from the HSTX on every cycle, configure the output shift register with `CSR.N_SHIFTS > 1`. This is required because the command expander cannot output data on the cycle where it pops a command from the FIFO, so the expansion shift register is empty for at least one cycle.

12.11.6. PIO-to-HSTX coupled mode

HSTX can connect up to 8 PIO pin outputs to the bit crossbar. Only use the bit crossbar when `clk_hstx` connects directly to `clk_sys` (`CLK_HSTX_CTRL.AUXSRC` must select `clk_sys`).

NOTE

Running the two clocks at the same frequency is not sufficient. You must select `clk_sys` directly.

To enable coupled mode, set `CSR.COUPLED_MODE`. The `COUPLED_SEL` field in the same register selects the PIO instance, 0 through 2, to couple to HSTX. When coupled mode is enabled, IO outputs 12 through 19 inclusive on the selected PIO instance appear at bit crossbar `PSEL_N` and `PSEL_P` indices 31:24, replacing the most significant 8 bits of the output shift register from the point of view of the bit crossbar.

This mode allows PIO programs to make use of the HSTX's DDR outputs. You can use this mode to drive a clock at the full system clock rate or to position clock transitions relative to data transitions with half-system-clock-cycle resolution.

The PIO outputs used for couple mode are always bits 19 through 12 of the pin outputs driven from that GPIO, independent of `GPIOBASE`. When `GPIOBASE` is 0, the PIO outputs used for coupled mode are those that would normally appear on the `HSTX` pins. When `GPIOBASE` is 16, this uses the PIO outputs that would appear on GPIOs 28 through 35.

The operation of PIO is not affected in any way by coupled mode being enabled.

Outputs presented through the HSTX coupled mode interface have one additional system clock cycle of delay compared to those presented directly from PIO to the pads.

12.11.7. List of control registers

The control registers start at a base address of `0x400c0000` (defined as `HSTX_CTRL_BASE` in the SDK). They are accessed through an asynchronous bus crossing, so each bus access takes several cycles, the exact figure depending on the ratio of `clk_sys` and `clk_hstx`.

Table 1253. List of HSTX_CTRL registers

| Offset | Name | Info |
|--------|------------------------------|---|
| 0x00 | CSR | |
| 0x04 | BIT0 | Data control register for output bit 0 |
| 0x08 | BIT1 | Data control register for output bit 1 |
| 0x0c | BIT2 | Data control register for output bit 2 |
| 0x10 | BIT3 | Data control register for output bit 3 |
| 0x14 | BIT4 | Data control register for output bit 4 |
| 0x18 | BIT5 | Data control register for output bit 5 |
| 0x1c | BIT6 | Data control register for output bit 6 |
| 0x20 | BIT7 | Data control register for output bit 7 |
| 0x24 | EXPAND_SHIFT | Configure the optional shifter inside the command expander |
| 0x28 | EXPAND_TMDS | Configure the optional TMDS encoder inside the command expander |

HSTX_CTRL: CSR Register

Offset: 0x00

Table 1254. CSR Register

| Bits | Description | Type | Reset |
|-------|--|------|-------|
| 31:28 | <p>CLKDIV: Clock period of the generated clock, measured in HSTX clock cycles. Can be odd or even. The generated clock advances only on cycles where the shift register shifts.</p> <p>For example, a clkdiv of 5 would generate a complete output clock period for every 5 HSTX clocks (or every 10 half-clocks).</p> <p>A CLKDIV value of 0 is mapped to a period of 16 HSTX clock cycles.</p> | RW | 0x1 |
| 27:24 | <p>CLKPHASE: Set the initial phase of the generated clock.</p> <p>A CLKPHASE of 0 means the clock is initially low, and the first rising edge occurs after one half period of the generated clock (i.e. CLKDIV/2 cycles of clk_hstx). Incrementing CLKPHASE by 1 will advance the initial clock phase by one half clk_hstx period. For example, if CLKDIV=2 and CLKPHASE=1:</p> <ul style="list-style-type: none"> * The clock will be initially low * The first rising edge will be 0.5 clk_hstx cycles after asserting first data * The first falling edge will be 1.5 clk_hstx cycles after asserting first data <p>This configuration would be suitable for serialising at a bit rate of clk_hstx with a centre-aligned DDR clock.</p> <p>When the HSTX is halted by clearing CSR_EN, the clock generator will return to its initial phase as configured by the CLKPHASE field.</p> <p>Note CLKPHASE must be strictly less than double the value of CLKDIV (one full period), else its operation is undefined.</p> | RW | 0x0 |
| 23:21 | Reserved. | - | - |
| 20:16 | <p>N_SHIFTS: Number of times to shift the shift register before refilling it from the FIFO. (A count of how many times it has been shifted, not the total shift distance.)</p> <p>A register value of 0 means shift 32 times.</p> | RW | 0x05 |
| 15:13 | Reserved. | - | - |
| 12:8 | <p>SHIFT: How many bits to right-rotate the shift register by each cycle.</p> <p>The use of a rotate rather than a shift allows left shifts to be emulated, by subtracting the left-shift amount from 32. It also allows data to be repeated, when the product of SHIFT and N_SHIFTS is greater than 32.</p> | RW | 0x06 |
| 7 | Reserved. | - | - |
| 6:5 | COUPLED_SEL: Select which PIO to use for coupled mode operation. | RW | 0x0 |

| Bits | Description | Type | Reset |
|------|---|------|-------|
| 4 | <p>COUPLED_MODE: Enable the PIO-to-HSTX 1:1 connection. The HSTX must be clocked directly from the system clock (not just from some other clock source of the same frequency) for this synchronous interface to function correctly.</p> <p>When COUPLED_MODE is set, BITx_SEL_P and SEL_N indices 24 through 31 will select bits from the 8-bit PIO-to-HSTX path, rather than shifter bits. Indices of 0 through 23 will still index the shift register as normal.</p> <p>The PIO outputs connected to the PIO-to-HSTX bus are those same outputs that would appear on the HSTX-capable pins if those pins' FUNCSELS were set to PIO instead of HSTX.</p> <p>For example, if HSTX is on GPIOs 12 through 19, then PIO outputs 12 through 19 are connected to the HSTX when coupled mode is engaged.</p> | RW | 0x0 |
| 3:2 | Reserved. | - | - |
| 1 | <p>EXPAND_EN: Enable the command expander. When 0, raw FIFO data is passed directly to the output shift register. When 1, the command expander can perform simple operations such as run length decoding on data between the FIFO and the shift register.</p> <p>Do not change CXPD_EN whilst EN is set. It's safe to set CXPD_EN simultaneously with setting EN.</p> | RW | 0x0 |
| 0 | <p>EN: When EN is 1, the HSTX will shift out data as it appears in the FIFO. As long as there is data, the HSTX shift register will shift once per clock cycle, and the frequency of popping from the FIFO is determined by the ratio of SHIFT and SHIFT_THRESH.</p> <p>When EN is 0, the FIFO is not popped. The shift counter and clock generator are also reset to their initial state for as long as EN is low. Note the initial phase of the clock generator can be configured by the CLKPHASE field.</p> <p>Once the HSTX is enabled again, and data is pushed to the FIFO, the generated clock's first rising edge will be one half-period after the first data is launched.</p> | RW | 0x0 |

HSTX_CTRL: BIT0, BIT1, ..., BIT6, BIT7 Registers

Offsets: 0x04, 0x08, ..., 0x1c, 0x20

Description

Data control register for output bit *n*

Table 1255. BIT0, BIT1, ..., BIT6, BIT7 Registers

| Bits | Description | Type | Reset |
|-------|---|------|-------|
| 31:18 | Reserved. | - | - |
| 17 | CLK: Connect this output to the generated clock, rather than the data shift register. SEL_P and SEL_N are ignored if this bit is set, but INV can still be set to generate an antiphase clock. | RW | 0x0 |
| 16 | INV: Invert this data output (logical NOT) | RW | 0x0 |
| 15:13 | Reserved. | - | - |
| 12:8 | SEL_N: Shift register data bit select for the second half of the HSTX clock cycle | RW | 0x00 |

| Bits | Description | Type | Reset |
|------|--|------|-------|
| 7:5 | Reserved. | - | - |
| 4:0 | SEL_P : Shift register data bit select for the first half of the HSTX clock cycle | RW | 0x00 |

HSTX_CTRL: EXPAND_SHIFT Register

Offset: 0x24

Description

Configure the optional shifter inside the command expander

Table 1256.
EXPAND_SHIFT
Register

| Bits | Description | Type | Reset |
|-------|--|------|-------|
| 31:29 | Reserved. | - | - |
| 28:24 | ENC_N_SHIFTS : Number of times to consume from the shift register before refilling it from the FIFO, when the current command is an encoded data command (e.g. TMDS). A register value of 0 means shift 32 times. | RW | 0x01 |
| 23:21 | Reserved. | - | - |
| 20:16 | ENC_SHIFT : How many bits to right-rotate the shift register by each time data is pushed to the output shifter, when the current command is an encoded data command (e.g. TMDS). | RW | 0x00 |
| 15:13 | Reserved. | - | - |
| 12:8 | RAW_N_SHIFTS : Number of times to consume from the shift register before refilling it from the FIFO, when the current command is a raw data command. A register value of 0 means shift 32 times. | RW | 0x01 |
| 7:5 | Reserved. | - | - |
| 4:0 | RAW_SHIFT : How many bits to right-rotate the shift register by each time data is pushed to the output shifter, when the current command is a raw data command. | RW | 0x00 |

HSTX_CTRL: EXPAND_TMDS Register

Offset: 0x28

Description

Configure the optional TMDS encoder inside the command expander

Table 1257.
EXPAND_TMDS
Register

| Bits | Description | Type | Reset |
|-------|--|------|-------|
| 31:24 | Reserved. | - | - |
| 23:21 | L2_NBITS : Number of valid data bits for the lane 2 TMDS encoder, starting from bit 7 of the rotated data. Field values of 0 → 7 encode counts of 1 → 8 bits. | RW | 0x0 |
| 20:16 | L2_ROT : Right-rotate applied to the current shifter data before the lane 2 TMDS encoder. | RW | 0x00 |
| 15:13 | L1_NBITS : Number of valid data bits for the lane 1 TMDS encoder, starting from bit 7 of the rotated data. Field values of 0 → 7 encode counts of 1 → 8 bits. | RW | 0x0 |
| 12:8 | L1_ROT : Right-rotate applied to the current shifter data before the lane 1 TMDS encoder. | RW | 0x00 |

| Bits | Description | Type | Reset |
|------|--|------|-------|
| 7:5 | LO_NBITS : Number of valid data bits for the lane 0 TMDS encoder, starting from bit 7 of the rotated data. Field values of 0 → 7 encode counts of 1 → 8 bits. | RW | 0x0 |
| 4:0 | LO_ROT : Right-rotate applied to the current shifter data before the lane 0 TMDS encoder. | RW | 0x00 |

12.11.8. List of FIFO registers

The FIFO registers start at a base address of `0x50600000` (defined as `HSTX_FIFO_BASE` in the SDK).

Table 1258. List of HSTX_FIFO registers

| Offset | Name | Info |
|--------|----------------------|----------------------|
| 0x0 | STAT | FIFO status |
| 0x4 | FIFO | Write access to FIFO |

HSTX_FIFO: STAT Register

Offset: 0x0

Description

FIFO status

Table 1259. STAT Register

| Bits | Description | Type | Reset |
|-------|--|------|-------|
| 31:11 | Reserved. | - | - |
| 10 | WOF : FIFO was written when full. Write 1 to clear. | WC | 0x0 |
| 9 | EMPTY | RO | - |
| 8 | FULL | RO | - |
| 7:0 | LEVEL | RO | 0x00 |

HSTX_FIFO: FIFO Register

Offset: 0x4

Table 1260. FIFO Register

| Bits | Description | Type | Reset |
|------|----------------------|------|------------|
| 31:0 | Write access to FIFO | WF | 0x00000000 |

12.12. TRNG

12.12.1. Overview

RP2350 contains an Arm IP-based True Random Number Generator block. It supports the following features:

- Compliance with FIPS Publication 140-2, BSI AIS-31, and NIST SP 800-90B
- Produces approximately 7.5 kb/s of entropy when the core runs at 150 MHz

On request, the TRNG block generates a block of 192 entropy bits generated by automatically processing a series of periodic samples from the TRNG block’s internal Ring Oscillator (ROSC).

The TRNG block's ROSC is a free-running oscillator with no direct connection to the system clocks on RP2350. As a result, the ROSC generally runs asynchronously to the system clocks.

After a sufficient number of samples have been collected, the TRNG block completes the generation process and presents the random number in the `EHR_DATA[x]` result registers.

For more information, see [ARM IP - True Random Number Generator](#)

12.12.2. Configuration

The TRNG block contains three different built-in entropy checking mechanisms: At reset, these are all enabled by default and hence do not require explicit enabling.

You can configure the TRNG block in the following ways:

- Configure the frequency of the ROSC by selecting of one of four ROSC **chain lengths**, see [TRNG_CONFIG](#).
- Configure the ROSC sampling period in terms of system clock ticks, see [SAMPLE_CNT1](#).

Because the system clock generally runs much faster than the ROSC, the sampling period is expected to be at least a few tens of system clock ticks.

Because the characteristics of the TRNG ROSC and system clock frequency will differ for each implementation of the TRNG IP block, Arm details a TRNG characterisation procedure to determine the most appropriate ROSC chain length and sampling frequency settings on each SoC design. For details about that characterisation procedure, see [ARM TrustZone True Number Generator](#).

Software drivers for the RP2350 TRNG block do not utilise the standard approach (see [Section 12.12.4](#)). As a result, software does not configure the ROSC length and sample count settings provided by the Arm characterisation procedure.

When configuring the TRNG block, consider the following principles:

- As average generation time increases, result quality increases and failed entropy checks decrease.
- A low sample count decreases average generation time, but increases the chance of NIST test-failing results and failed entropy checks.

For acceptable results with an average generation time of about 2 milliseconds, use ROSC chain length settings of 0 or 1 and sample count settings of 20-25.

Larger sample count settings (e.g. 100) provide proportionately slower average generation times. These settings significantly reduce, but do not eliminate NIST test failures and entropy check failures. Results occasionally take an especially long time to generate.

12.12.3. Operation

To initiate TRNG generation, set the `RND_SRC_EN` bit in [RND_SOURCE_ENABLE](#). The TRNG will run until:

- It has successfully completed the generation of a random number.
- One, or more, of the internal entropy checking mechanisms indicates a failed run.

In either case, you can read the resultant status from [RNG_ISR](#).

To generate TRNG block interrupts, set bits in [RNG_IMR](#). Use [RNG_ICR](#) to clear active interrupt status bits.

The `EHR_DATA[x]` registers read 0 until successful generation has occurred, so the CPU cannot read random number results during generation,

After successful generation, read the last result register, `EHR_DATA[5]` to clear all of the result registers. If the result fails an entropy check, no results are presented and the `EHR_DATA[x]` registers all read as 0.

After TRNG generation and when not in use, the `RND_SRC_EN` bit should be cleared.

12.12.4. Caveats

The generation of random numbers by the TRNG block is not a deterministic process.

Although the modal and mean average times required to generate random numbers are quite similar, the generation process can occasionally take *much* longer to complete: in excess of 100 times the average. Any run resulting in a failed entropy check discards the result, requiring another generation process.

You can accommodate these unpredictable generation times in your system design. For example, you might generate a small pool of random numbers, initiating subsequent generation whenever space becomes available in the pool.

In the interests of simplicity and timing predictability, alternative approaches were adopted for the RP2350 bootrom and the SDK TRNG block drivers. The methodologies used can be found via the links below. However, nothing in the TRNG block in RP2350 precludes using the block as specified in Arm documentation.

12.12.4.1. Bootrom

The bootrom streams raw TRNG ROSC samples (the TRNG random source) directly into the hardware SHA-256 accelerator. It bypasses all internal checking and conditioning in the TRNG. SHA-256 is a robust hash function which avoids the pitfalls of some of the conditioning logic in the TRNG, most notably the von Neumann decorrelator.

The bootrom has some hard constraints which guide its implementation choices, most notably: *the bootrom must boot*. It cannot afford to poll the TRNG for an indeterminate amount of time to wait for a random number to appear. Complex error handling is also undesirable.

A link to the bootrom source can be found in [Chapter 5](#). Consult the source code for the exact implementation of the per-boot random number generation, in `varm_boot_path.c`.

The A2 bootrom TRNG code is written in assembly due to various implementation constraints, and may not be that illuminating. The following is excerpted from the A1 bootrom source, lightly edited for readability:

```
// Boot RNG is derived by streaming a large number of TRNG ROSC samples
// into the SHA-256. BOOT_TRNG_SAMPLE_BLOCKS is the number of SHA-256
// blocks to hash, each containing 384 samples from the TRNG ROSC:
const int BOOT_TRNG_SAMPLE_BLOCKS = 25;

// Fixed delay is required after TRNG soft reset
trng_hw->trng_sw_reset = -1u;
(void)trng_hw->trng_sw_reset;
(void)trng_hw->trng_sw_reset;
// Initialise SHA internal state by writing START bit
sha256_hw->csr = SHA256_CSR_RESET | SHA256_CSR_START_BITS;

// Sample one ROSC bit into EHR every cycle, subject to CPU keeping up. More
// temporal resolution to measure ROSC phase noise is better, if we use a
// high quality hash function instead of naive VN decorrelation. (Also more
// metastability events, which are a secondary noise source)
trng_hw->sample_cnt1 = 0;
// Disable checks and bypass decorrelators, to stream raw TRNG ROSC samples:
trng_hw->trng_debug_control = -1u;
// Start ROSC if it is not already started
trng_hw->rnd_source_enable = -1u;
// Clear all interrupts (including EHR_VLD) -- we will check this
// later, after seeding RCP.
trng_hw->rng_icr = -1u;

// Each half-block (192 samples) takes approx 235 cycles, so 470 cycles/block:
for (int half_blocks = 0; half_blocks < 2 * BOOT_TRNG_SAMPLE_BLOCKS; ++half_blocks) {

    // Wait for 192 ROSC samples to fill EHR, this should take constant time:
    while (trng_hw->trng_busy)
```

```

;

// Copy 6 EHR words to SHA-256, plus garbage (RND_SOURCE_ENABLE and
// SAMPLE_CNT1) which pads us out to half of a SHA-256 block. This means
// we can avoid checking SHA-256 ready whilst reading EHR, so we restart
// sampling sooner. (SHA-256 becomes non-ready for 57 cycles after each
// 16 words written.)
io_ro_32 *src = &trng_hw->ehr_data[0];
io_wo_32 *dst = &sha256_hw->wdata;
for (int i = 0; i < 8; ++i) {
    *dst = src[i];
}

// TRNG is now sampling again, having started after we read the last EHR
// word. Grab some in-progress SHA bits and use them to modulate the
// chain length, to reduce chance of injection locking:
trng_hw->trng_config = sha256_hw->sum[0];
}

// Wait for SHA result -- if skipped we get the previous block's digest. Note
// this never becomes true if we wrote a number of words % 16 != 0.
while (!(sha256_hw->csr & SHA256_CSR_SUM_VLD_BITS))
    ;

// The per-boot random will change on every core 0 reset (except debugger
// skipping ROM). If this is a problem then the user can sample the
// per-boot random into a preserved variable in main SRAM.
for (int i = 0; i < 4; ++i) {
    bootram->always.boot_random.e[i] = sha256_hw->sum[4 + i];
}

trng_hw->trng_config = 0;
// Stop ROOSC as it's a waste of power
trng_hw->rnd_source_enable = 0;

```

The bootrom resets the SHA-256 and TRNG via RESETS immediately before the above code runs. This code typically runs with `clk_sys` running from the system ROOSC, at its initial boot frequency of approximately 12 MHz. The 256-bit result is available in the `SUM0` through `SUM7` registers after the code completes.

This code does not represent best programming practice: for example it writes ones into reserved bits in the `TRNG_DEBUG_CONTROL` register. It was written with close reference to the hardware implementation. The above code listing serves only to document the *method* the bootrom uses to generate random numbers at boot time, for the once-per-boot random number available via the `get_sys_info()` ROM API as well as for initialising the RCP salt registers (Section 3.6.3.1).

12.12.4.2. SDK

The `pico_rand` library uses the TRNG as one of its entropy sources. It streams raw ROOSC samples from the TRNG ROOSC in a similar manner to the bootrom. It uses the `xoroshiro128**` and `splitmix64()` PRNG functions to condition the output.

12.12.5. List of registers

The TRNG control registers start at a base address of `0x400f0000` (defined as `TRNG_BASE` in the SDK).

Table 1261. List of TRNG registers

| Offset | Name | Info |
|--------|-------------------------|--------------------|
| 0x100 | RNG_IMR | Interrupt masking. |

| Offset | Name | Info |
|--------|--------------------|--|
| 0x104 | RNG_ISR | RNG status register. If corresponding RNG_IMR bit is unmasked, an interrupt will be generated. |
| 0x108 | RNG_ICR | Interrupt/status bit clear Register. |
| 0x10c | TRNG_CONFIG | Selecting the inverter-chain length. |
| 0x110 | TRNG_VALID | 192 bit collection indication. |
| 0x114 | EHR_DATA0 | RNG collected bits. |
| 0x118 | EHR_DATA1 | RNG collected bits. |
| 0x11c | EHR_DATA2 | RNG collected bits. |
| 0x120 | EHR_DATA3 | RNG collected bits. |
| 0x124 | EHR_DATA4 | RNG collected bits. |
| 0x128 | EHR_DATA5 | RNG collected bits. |
| 0x12c | RND_SOURCE_ENABLE | Enable signal for the random source. |
| 0x130 | SAMPLE_CNT1 | Counts clocks between sampling of random bit. |
| 0x134 | AUTOCORR_STATISTIC | Statistics about autocorrelation test activations. |
| 0x138 | TRNG_DEBUG_CONTROL | Debug register. |
| 0x140 | TRNG_SW_RESET | Generate internal SW reset within the RNG block. |
| 0x1b4 | RNG_DEBUG_EN_INPUT | Enable the RNG debug mode |
| 0x1b8 | TRNG_BUSY | RNG Busy indication. |
| 0x1bc | RST_BITS_COUNTER | Reset the counter of collected bits in the RNG. |
| 0x1c0 | RNG_VERSION | Displays the version settings of the TRNG. |
| 0x1e0 | RNG_BIST_CNTR_0 | Collected BIST results. |
| 0x1e4 | RNG_BIST_CNTR_1 | Collected BIST results. |
| 0x1e8 | RNG_BIST_CNTR_2 | Collected BIST results. |

TRNG: RNG_IMR Register

Offset: 0x100

Description

Interrupt masking.

Table 1262. RNG_IMR Register

| Bits | Description | Type | Reset |
|------|--|------|-------|
| 31:4 | Reserved. | - | - |
| 3 | VN_ERR_INT_MASK: Set to 1 to mask (disable) this interrupt: no interrupt will be generated. See RNG_ISR for an explanation on this interrupt. | RW | 0x1 |
| 2 | CRNGT_ERR_INT_MASK: Set to 1 to mask (disable) this interrupt: no interrupt will be generated. See RNG_ISR for an explanation on this interrupt. | RW | 0x1 |
| 1 | AUTOCORR_ERR_INT_MASK: Set to 1 to mask (disable) this interrupt: no interrupt will be generated. See RNG_ISR for an explanation on this interrupt. | RW | 0x1 |
| 0 | EHR_VALID_INT_MASK: Set to 1 to mask (disable) this interrupt: no interrupt will be generated. See RNG_ISR for an explanation on this interrupt. | RW | 0x1 |

TRNG: RNG_ISR Register

Offset: 0x104

Description

RNG status register. If corresponding RNG_IMR bit is unmasked, an interrupt will be generated.

Table 1263. RNG_ISR Register

| Bits | Description | Type | Reset |
|------|---|------|-------|
| 31:4 | Reserved. | - | - |
| 3 | VN_ERR : 1 indicates von Neumann error. Error in von Neumann occurs if 32 consecutive collected bits are identical, ZERO or ONE. | RO | 0x0 |
| 2 | CRNGT_ERR : 1 indicates CRNGT in the RNG test failed. Failure occurs when two consecutive blocks of 16 collected bits are equal. | RO | 0x0 |
| 1 | AUTOCORR_ERR : 1 indicates Autocorrelation test failed four times in a row. When set, RNG ceases functioning until next reset. | RO | 0x0 |
| 0 | EHR_VALID : 1 indicates that 192 bits have been collected in the RNG, and are ready to be read. | RO | 0x0 |

TRNG: RNG_ICR Register

Offset: 0x108

Description

Interrupt/status bit clear Register.

Table 1264. RNG_ICR Register

| Bits | Description | Type | Reset |
|------|--|------|-------|
| 31:4 | Reserved. | - | - |
| 3 | VN_ERR : Write 1 to clear corresponding bit in RNG_ISR. | RW | 0x0 |
| 2 | CRNGT_ERR : Write 1 to clear corresponding bit in RNG_ISR. | RW | 0x0 |
| 1 | AUTOCORR_ERR : Cannot be cleared by SW! Only RNG reset clears this bit. | RW | 0x0 |
| 0 | EHR_VALID : Write 1 - clear corresponding bit in RNG_ISR. | RW | 0x0 |

TRNG: TRNG_CONFIG Register

Offset: 0x10c

Description

Selecting the inverter-chain length.

Table 1265. TRNG_CONFIG Register

| Bits | Description | Type | Reset |
|------|---|------|-------|
| 31:2 | Reserved. | - | - |
| 1:0 | RND_SRC_SEL : Selects the number of inverters (out of four possible selections) in the ring oscillator (the entropy source). Higher values select longer inverter chain lengths. | RW | 0x0 |

TRNG: TRNG_VALID Register

Offset: 0x110

Description

192 bit collection indication.

Table 1266.
TRNG_VALID Register

| Bits | Description | Type | Reset |
|------|--|------|-------|
| 31:1 | Reserved. | - | - |
| 0 | EHR_VALID : 1 indicates that collection of bits in the RNG is completed, and data can be read from EHR_DATA register. | RO | 0x0 |

TRNG: EHR_DATA0, EHR_DATA1, ..., EHR_DATA4, EHR_DATA5 Registers

Offsets: 0x114, 0x118, ..., 0x124, 0x128

Description

RNG collected bits.

Table 1267.
EHR_DATA0,
EHR_DATA1, ...,
EHR_DATA4,
EHR_DATA5 Registers

| Bits | Description | Type | Reset |
|------|---|------|------------|
| 31:0 | Bits $[(32*(i+1))-1:(32*i)]$ of Entropy Holding Register. | RO | 0x00000000 |

TRNG: RND_SOURCE_ENABLE Register

Offset: 0x12c

Description

Enable signal for the random source.

Table 1268.
RND_SOURCE_ENABLE
Register

| Bits | Description | Type | Reset |
|------|--|------|-------|
| 31:1 | Reserved. | - | - |
| 0 | RND_SRC_EN : * 1 - entropy source is enabled. * 0 - entropy source is disabled | RW | 0x0 |

TRNG: SAMPLE_CNT1 Register

Offset: 0x130

Description

Counts clocks between sampling of random bit.

Table 1269.
SAMPLE_CNT1
Register

| Bits | Description | Type | Reset |
|------|---|------|------------|
| 31:0 | SAMPLE_CNTR1 : Sets the number of rng_clk cycles between two consecutive ring oscillator samples. Note: If the von Neumann decorrelator is bypassed, the minimum value for sample counter must not be less than seventeen | RW | 0x0000ffff |

TRNG: AUTOCORR_STATISTIC Register

Offset: 0x134

Description

Statistics about autocorrelation test activations.

Table 1270.
AUTOCORR_STATISTI
C Register

| Bits | Description | Type | Reset |
|-------|---|------|-------|
| 31:22 | Reserved. | - | - |
| 21:14 | AUTOCORR_FAILS : Count each time an autocorrelation test fails. Any write to the register reset the counter. Stop collecting statistic if one of the counters reached the limit. | RW | 0x00 |

| Bits | Description | Type | Reset |
|------|---|------|--------|
| 13:0 | AUTOCORR_TRYS : Count each time an autocorrelation test starts. Any write to the register reset the counter. Stop collecting statistic if one of the counters reached the limit. | RW | 0x0000 |

TRNG: TRNG_DEBUG_CONTROL Register

Offset: 0x138

Description

Debug register.

Table 1271.
TRNG_DEBUG_CONTR
OL Register

| Bits | Description | Type | Reset |
|------|--|------|-------|
| 31:4 | Reserved. | - | - |
| 3 | AUTO_CORRELATE_BYPASS : When set, the autocorrelation test in the TRNG module is bypassed. | RW | 0x0 |
| 2 | TRNG_CRNGT_BYPASS : When set, the CRNGT test in the RNG is bypassed. | RW | 0x0 |
| 1 | VNC_BYPASS : When set, the Von-Neuman balancer is bypassed (including the 32 consecutive bits test). N/A | RW | 0x0 |
| 0 | Reserved. | - | - |

TRNG: TRNG_SW_RESET Register

Offset: 0x140

Description

Generate internal SW reset within the RNG block.

Table 1272.
TRNG_SW_RESET
Register

| Bits | Description | Type | Reset |
|------|---|------|-------|
| 31:1 | Reserved. | - | - |
| 0 | TRNG_SW_RESET : Writing 1 to this register causes an internal RNG reset. | RW | 0x0 |

TRNG: RNG_DEBUG_EN_INPUT Register

Offset: 0x1b4

Description

Enable the RNG debug mode

Table 1273.
RNG_DEBUG_EN_INPU
T Register

| Bits | Description | Type | Reset |
|------|--|------|-------|
| 31:1 | Reserved. | - | - |
| 0 | RNG_DEBUG_EN : * 1 - debug mode is enabled. * 0 - debug mode is disabled | RW | 0x0 |

TRNG: TRNG_BUSY Register

Offset: 0x1b8

Description

RNG Busy indication.

Table 1274.
TRNG_BUSY Register

| Bits | Description | Type | Reset |
|------|--|------|-------|
| 31:1 | Reserved. | - | - |
| 0 | TRNG_BUSY : Reflects rng_busy status. | RO | 0x0 |

TRNG: RST_BITS_COUNTER Register

Offset: 0x1bc

Description

Reset the counter of collected bits in the RNG.

Table 1275.
RST_BITS_COUNTER Register

| Bits | Description | Type | Reset |
|------|--|------|-------|
| 31:1 | Reserved. | - | - |
| 0 | RST_BITS_COUNTER : Writing any value to this address will reset the bits counter and RNG valid registers. RND_SORCE_ENABLE register must be unset in order for the reset to take place. | RW | 0x0 |

TRNG: RNG_VERSION Register

Offset: 0x1c0

Description

Displays the version settings of the TRNG.

Table 1276.
RNG_VERSION Register

| Bits | Description | Type | Reset |
|------|---|------|-------|
| 31:8 | Reserved. | - | - |
| 7 | RNG_USE_5_SBOXES : * 1 - 5 SBOX AES. * 0 - 20 SBOX AES | RO | 0x0 |
| 6 | RESEEDING_EXISTS : * 1 - Exists. * 0 - Does not exist | RO | 0x0 |
| 5 | KAT_EXISTS : * 1 - Exists. * 0 - Does not exist | RO | 0x0 |
| 4 | PRNG_EXISTS : * 1 - Exists. * 0 - Does not exist | RO | 0x0 |
| 3 | TRNG_TESTS_BYPASS_EN : * 1 - Exists. * 0 - Does not exist | RO | 0x0 |
| 2 | AUTOCORR_EXISTS : * 1 - Exists. * 0 - Does not exist | RO | 0x0 |
| 1 | CRNGT_EXISTS : * 1 - Exists. * 0 - Does not exist | RO | 0x0 |
| 0 | EHR_WIDTH_192 : * 1 - 192-bit EHR. * 0 - 128-bit EHR | RO | 0x0 |

TRNG: RNG_BIST_CNTR_0 Register

Offset: 0x1e0

Description

Collected BIST results.

Table 1277.
RNG_BIST_CNTR_0
Register

| Bits | Description | Type | Reset |
|-------|--|------|----------|
| 31:22 | Reserved. | - | - |
| 21:0 | ROSC_CNTR_VAL : Reflects the results of RNG BIST counter. | RO | 0x000000 |

TRNG: RNG_BIST_CNTR_1 Register

Offset: 0x1e4

Description

Collected BIST results.

Table 1278.
RNG_BIST_CNTR_1
Register

| Bits | Description | Type | Reset |
|-------|--|------|----------|
| 31:22 | Reserved. | - | - |
| 21:0 | ROSC_CNTR_VAL : Reflects the results of RNG BIST counter. | RO | 0x000000 |

TRNG: RNG_BIST_CNTR_2 Register

Offset: 0x1e8

Description

Collected BIST results.

Table 1279.
RNG_BIST_CNTR_2
Register

| Bits | Description | Type | Reset |
|-------|--|------|----------|
| 31:22 | Reserved. | - | - |
| 21:0 | ROSC_CNTR_VAL : Reflects the results of RNG BIST counter. | RO | 0x000000 |

12.13. SHA-256 accelerator

RP2350 is equipped with an implementation of the SHA-256 hash algorithm, as defined in the FIPS 180-4 standard available from NIST publications. A hash algorithm digests an arbitrary-length stream of data, known as the **message**, and produces a fixed-size result, known as a **hash**. In the case of SHA-256, the result is always 256 bits in size. Hash algorithms are designed such that:

- Given the hash, it is impossible (or implausibly computationally hard) to recover the original message.
- Small changes to the original message result, on average, in large changes to the hash.
- Given a message with a particular hash, it is impossible (or implausibly computationally hard) to generate a different message with the same hash.

These properties make hash algorithms useful for checking the integrity of data, in the face of both accidental bit flips and deliberate tampering.

To compute a SHA-256 with the RP2350 SHA-256 accelerator:

1. Initialise the algorithm state by writing a 1 to **CSR.START**.
2. Write the message to the **WDATA** register, polling **CSR.WDATA_RDY** in between writes.

3. Write additional trailer and padding data to [WDATA](#), as described in [Section 12.13.1](#) below.
4. Poll [CSR.SUM_VLD](#) to wait for the last block to be digested.
5. Read the 256-bit result from the 8 read-only result registers starting at [SUM0](#).

12.13.1. Message padding

Pad message content according to the standard SHA-256 method as described in the [FIPS 180-4 Secure Hash Standard](#): append the message with single bit `1`, then a number of `0` bits, then a 64-bit count of the number of message bits. So for a message `M` with length `L` bits the padded message should be:

1. message `M`
2. `1`
3. `k` zero bits, where `k` is the smallest non-negative solution to the equation: $L + 1 + k = 448 \bmod 512$
4. a 64-bit block indicating `L` (the length of the message) in binary

For example, the 8 bit ASCII message `abc` has a length of 24 bits. This is padded with `1`, then $448 - (24 + 1) = 423$ `0` bits, and then the message length as a 64-bit value as follows:

```
01100001 01100010 01100011 1 00000000 000...0 00000000 000...0 00011000
|-----message-----| 1 |--423 0 bits--| |-----64 bit len-----|
```

12.13.2. Throughput

SHA-256 processes data one 512-bit block at a time. This requires 16 32-bit writes, 32 16-bit writes, or 64 8-bit writes to the [WDATA](#) register. An APB register write costs 4 cycles, so it takes at least 64 system clock cycles to write a data block.

Once a full block is transferred, the SHA core takes a further 57 cycles to complete the block digest. [CSR.WDATA_RDY](#) goes low, and you must not write to [WDATA](#) during this time.

The maximum throughput is therefore one block per 121 system clock cycles, or 0.53 bytes per cycle. At a 150 MHz system clock this is 79.3 MB/s. This throughput is achieved when you use 32-bit transfers from the DMA. Using narrower transfers result in lower throughput, as does polling the [CSR.WDATA_RDY](#) flag when transferring data from the processor.

12.13.3. Data size and endianness

Data is sent in message blocks of 512 bits, padded as described in [Section 12.13.1](#). The SHA-256 accelerator updates its 256-bit output state for each input block. The SHA-256 algorithm is defined in terms of big-endian message words, but this accelerator provides a byte swap function via [CSR.BSWAP](#) to support little-endian data. [BSWAP](#) is set by default. For more information, see the register descriptions.

[WDATA](#) supports 8-bit, 16-bit and 32-bit writes. The bus interface accumulates 8 and 16-bit writes in a 32-bit shift register before passing them into the SHA-256 algorithm core. This means you must take care when mixing writes of different sizes, because taking the shift register level from less than to greater than 32 bits in a single write will silently drop data. You can avoid this issue by not mixing [WDATA](#) write sizes within a single SHA-256 message block (64 bytes).

12.13.4. DMA DREQ interface

The block can request the DMA controller to send entire blocks of data at once. Configure transfer size using

CSR.DMA_SIZE so that the DMA controller requests the correct number of transfers.

The DREQ always requests one full SHA block of data at a time. Do not start a DMA on a non-block boundary.

12.13.5. List of registers

The SHA-256 registers start at a base address of 0x400f8000 (defined as SHA256_BASE in SDK).

Table 1280. List of SHA256 registers

| Offset | Name | Info |
|--------|-------|--|
| 0x00 | CSR | Control and status register |
| 0x04 | WDATA | Write data register |
| 0x08 | SUM0 | 256-bit checksum result. Contents are undefined when CSR_SUM_VLD is 0. |
| 0x0c | SUM1 | 256-bit checksum result. Contents are undefined when CSR_SUM_VLD is 0. |
| 0x10 | SUM2 | 256-bit checksum result. Contents are undefined when CSR_SUM_VLD is 0. |
| 0x14 | SUM3 | 256-bit checksum result. Contents are undefined when CSR_SUM_VLD is 0. |
| 0x18 | SUM4 | 256-bit checksum result. Contents are undefined when CSR_SUM_VLD is 0. |
| 0x1c | SUM5 | 256-bit checksum result. Contents are undefined when CSR_SUM_VLD is 0. |
| 0x20 | SUM6 | 256-bit checksum result. Contents are undefined when CSR_SUM_VLD is 0. |
| 0x24 | SUM7 | 256-bit checksum result. Contents are undefined when CSR_SUM_VLD is 0. |

SHA256: CSR Register

Offset: 0x00

Description

Control and status register

Table 1281. CSR Register

| Bits | Description | Type | Reset |
|-------|-------------|------|-------|
| 31:13 | Reserved. | - | - |

| Bits | Description | Type | Reset |
|-------|--|------|-------|
| 12 | <p>BSWAP: Enable byte swapping of 32-bit values at the point they are committed to the SHA message scheduler.</p> <p>This block's bus interface assembles byte/halfword data into message words in little-endian order, so that DMAing the same buffer with different transfer sizes always gives the same result on a little-endian system like RP2350.</p> <p>However, when marshalling bytes into blocks, SHA expects that the first byte is the most significant in each message word. To resolve this, once the bus interface has accumulated 32 bits of data (either a word write, two halfword writes in little-endian order, or four byte writes in little-endian order) the final value can be byte-swapped before passing to the actual SHA core.</p> <p>This feature is enabled by default because using the SHA core to checksum byte buffers is expected to be more common than having preformatted SHA message words lying around.</p> | RW | 0x1 |
| 11:10 | Reserved. | - | - |
| 9:8 | <p>DMA_SIZE: Configure DREQ logic for the correct DMA data size. Must be configured before the DMA channel is triggered.</p> <p>The SHA-256 core's DREQ logic requests one entire block of data at once, since there is no FIFO, and data goes straight into the core's message schedule and digest hardware. Therefore, when transferring data with DMA, CSR_DMA_SIZE must be configured in advance so that the correct number of transfers can be requested per block.</p> | RW | 0x2 |
| | Enumerated values: | | |
| | 0x0 → 8BIT | | |
| | 0x1 → 16BIT | | |
| | 0x2 → 32BIT | | |
| 7:5 | Reserved. | - | - |
| 4 | ERR_WDATA_NOT_RDY : Set when a write occurs whilst the SHA-256 core is not ready for data (WDATA_RDY is low). Write one to clear. | WC | 0x0 |
| 3 | Reserved. | - | - |
| 2 | <p>SUM_VLD: If 1, the SHA-256 checksum presented in registers SUM0 through SUM7 is currently valid.</p> <p>Goes low when WDATA is first written, then returns high once 16 words have been written and the digest of the current 512-bit block has subsequently completed.</p> | RO | 0x1 |
| 1 | <p>WDATA_RDY: If 1, the SHA-256 core is ready to accept more data through the WDATA register.</p> <p>After writing 16 words, this flag will go low for 57 cycles whilst the core completes its digest.</p> | RO | 0x1 |

| Bits | Description | Type | Reset |
|------|--|------|-------|
| 0 | <p>START: Write 1 to prepare the SHA-256 core for a new checksum.</p> <p>The SUMx registers are initialised to the proper values (fractional bits of square roots of first 8 primes) and internal counters are cleared. This immediately forces WDATA_RDY and SUM_VLD high.</p> <p>START must be written before initiating a DMA transfer to the SHA-256 core, because the core will always request 16 transfers at a time (1 512-bit block). Additionally, the DMA channel should be configured for a multiple of 16 32-bit transfers.</p> | SC | 0x0 |

SHA256: WDATA Register

Offset: 0x04

Description

Write data register

Table 1282. WDATA Register

| Bits | Description | Type | Reset |
|------|---|------|------------|
| 31:0 | <p>After pulsing START and writing 16 words of data to this register, WDATA_RDY will go low and the SHA-256 core will complete the digest of the current 512-bit block.</p> <p>Software is responsible for ensuring the data is correctly padded and terminated to a whole number of 512-bit blocks.</p> <p>After this, WDATA_RDY will return high, and more data can be written (if any).</p> <p>This register supports word, halfword and byte writes, so that DMA from non-word-aligned buffers can be supported. The total amount of data per block remains the same (16 words, 32 halfwords or 64 bytes) and byte/halfword transfers must not be mixed within a block.</p> | WF | 0x00000000 |

SHA256: SUM0 Register

Offset: 0x08

Table 1283. SUM0 Register

| Bits | Description | Type | Reset |
|------|--|------|------------|
| 31:0 | 256-bit checksum result. Contents are undefined when CSR_SUM_VLD is 0. | RO | 0x00000000 |

SHA256: SUM1 Register

Offset: 0x0c

Table 1284. SUM1 Register

| Bits | Description | Type | Reset |
|------|--|------|------------|
| 31:0 | 256-bit checksum result. Contents are undefined when CSR_SUM_VLD is 0. | RO | 0x00000000 |

SHA256: SUM2 Register

Offset: 0x10

Table 1285. SUM2 Register

| Bits | Description | Type | Reset |
|------|--|------|------------|
| 31:0 | 256-bit checksum result. Contents are undefined when CSR_SUM_VLD is 0. | RO | 0x00000000 |

SHA256: SUM3 Register

Offset: 0x14

Table 1286. SUM3 Register

| Bits | Description | Type | Reset |
|------|--|------|------------|
| 31:0 | 256-bit checksum result. Contents are undefined when CSR_SUM_VLD is 0. | RO | 0x00000000 |

SHA256: SUM4 Register

Offset: 0x18

Table 1287. SUM4 Register

| Bits | Description | Type | Reset |
|------|--|------|------------|
| 31:0 | 256-bit checksum result. Contents are undefined when CSR_SUM_VLD is 0. | RO | 0x00000000 |

SHA256: SUM5 Register

Offset: 0x1c

Table 1288. SUM5 Register

| Bits | Description | Type | Reset |
|------|--|------|------------|
| 31:0 | 256-bit checksum result. Contents are undefined when CSR_SUM_VLD is 0. | RO | 0x00000000 |

SHA256: SUM6 Register

Offset: 0x20

Table 1289. SUM6 Register

| Bits | Description | Type | Reset |
|------|--|------|------------|
| 31:0 | 256-bit checksum result. Contents are undefined when CSR_SUM_VLD is 0. | RO | 0x00000000 |

SHA256: SUM7 Register

Offset: 0x24

Table 1290. SUM7 Register

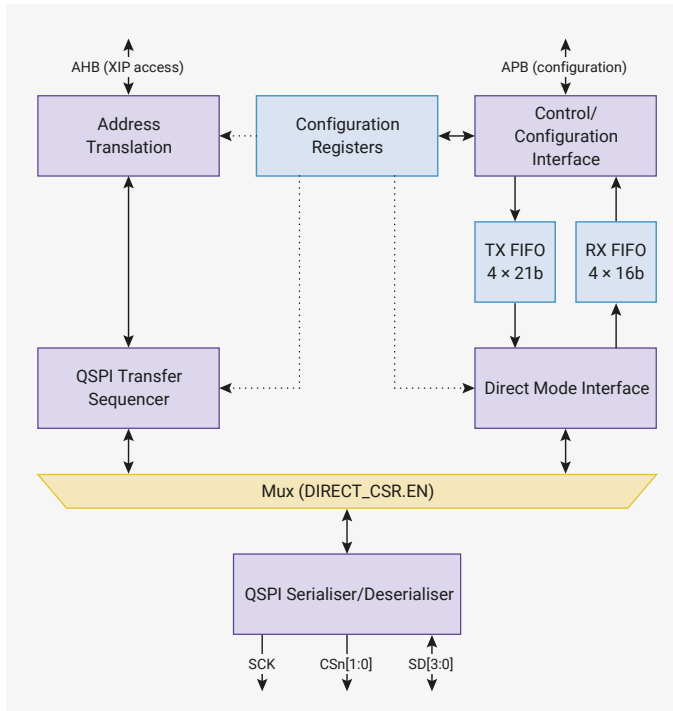
| Bits | Description | Type | Reset |
|------|--|------|------------|
| 31:0 | 256-bit checksum result. Contents are undefined when CSR_SUM_VLD is 0. | RO | 0x00000000 |

12.14. QSPI memory interface (QMI)

12.14.1. Overview

The QSPI memory interface (QMI) provides read/write memory-mapped access to two external QSPI memory devices. RP2350 has a single QMI instance, embedded in the XIP subsystem (Section 4.4), which replaces the SSI interface present on RP2040. The QMI supports serial-SPI, dual-SPI, and quad-SPI transfers, with two chip selects and shared clock/data signals.

Figure 129. QMI block diagram: AHB accesses are address-translated, broken down into the necessary QSPI transfer phases such as command, address and data, and interfaced to the external QSPI signals via the serialiser/deserialiser. There is a chip select per device, and shared clock/data signals. Separately, the direct mode interface can be used to issue raw SPI commands through a pair of FIFOs, which can be used to program and configure the external QSPI devices.



Each chip select corresponds to a 16 MB AHB address window, so a maximum of 32 MB of external memory is supported. Chip select 0, which has a dedicated external pin, is mapped to addresses starting from `0x10000000`, and chip select 1, which is available as an alternate GPIO function, starts from `0x11000000`. This mapping is mirrored in the uncached and uncached + untranslated XIP address windows described in [Section 4.4](#).

All timing and SPI command format parameters are configured per chip select, with the correct configuration used automatically based on address decode. For example, `MO_TIMING` configures timing parameters for accesses to chip select 0, and `M1_TIMING` is an identical register for chip select 1.

The serial clock (`SCK`) is any integer division of the system clock in the range 1 to 256. The divisors can be adjusted at any time. Input sample timing can be adjusted in half-system-clock-cycle increments, to compensate for clock-to-data delay at high `SCK` frequencies. Double transfer rate mode (DTR) is implemented by halving the `SCK` frequency whilst maintaining the data transfer rate, which is capped at 4 bits per system clock cycle.

The number of `SCK` cycles issued for each access depends on the access size, which varies between one byte and one cache line. For example, an uncached one-byte read by a processor will fetch exactly one byte of data over the QSPI bus, to avoid wasting time fetching unwanted data. Cache misses are always issued as 64-bit QSPI transfers.

Optionally, the QMI can automatically chain sequentially addressed AHB accesses into a single, long QSPI transfer. This avoids issuing redundant commands and addresses on the QSPI bus, and is particularly beneficial for cold code paths and for streaming in flash data using the XIP streaming hardware ([Section 4.4.3](#)). For PSRAM compatibility, chains can be broken when they exceed a maximum chip select time (`MO_TIMING.MAX_SELECT`) or when they cross certain power-of-two address boundaries (`MO_TIMING.PAGEBREAK`). [Section 12.14.2.1](#) goes into more detail on these features.

The QMI can map addresses with its built-in address translation hardware: each chip select is partitioned into 4 x 4 MB windows, whose physical base address and aperture size are configured in units of 4 kB (one flash sector). This enables the runtime addresses of flash programs to be independent of where they are stored: for example, a flash-resident bootloader at flash storage address 0 could select one of multiple flash-resident program images, all of them linked to run at address `0x10000000`, and these can be executed in place with no position-independent code required. Address translation is described fully in [Section 12.14.4](#).

Finally, the direct-mode interface is included for cases where software needs to communicate directly with the external QSPI devices, for example to access status registers. This interface also supports serial, dual, and quad interface widths as described in [Section 12.14.5](#).

12.14.2. QSPI transfers

A QSPI bus connects one host, such as QMI, to multiple devices, such as a serial NOR flash. It consists of:

- One chip select line per device (*CS_n*)
- One shared clock line (*SCK*)
- Up to four shared data lines (*SD0* through *SD3*)

No single specification defines the format of QSPI commands. However, certain de facto command sets exist on most QSPI flash/SRAM/PSRAM devices. QMI supports the most common variations of these commands.

QMI is primarily a memory interface, not a general-purpose QSPI peripheral. Although the direct-mode interface (Section 12.14.5) allows arbitrary QSPI accesses by passing raw data through the FIFOs, QMI is optimised for preformatted read/write transfers in response to AHB read/write bus accesses.

All QSPI read/write accesses performed by the QMI use the following five phases:

1. **Prefix:** An optional, constant 8-bit value that indicates the SPI command being performed (referred to as the **command prefix** or **instruction prefix** in SPI device datasheets)
2. **Address:** A 24-bit byte address that specifies the SPI memory location being read/written, corresponding to the lower 24 bits of the AHB address
3. **Suffix:** An optional, constant 8-bit value which follows the address in certain access modes
4. **Dummy:** 0-value (SPI) or high-impedance (dual/quad-SPI) cycles which precede the data, to provide the SPI device adequate time to access the first address
5. **Data:** Transfers memory contents to/from the SPI device at sequential byte addresses from the initial address indicated in the address phase

The chip select for the addressed device is asserted before the prefix phase, and de-asserted at the end of the data phase.

Each phase has a length in bits and interface width (single/dual/quad) configured using *MO_RFMT/M1_RFMT* (for reads) and *MO_WFMT/M1_WFMT* for writes. The *M0/M1* versions of each register configure accesses to memory windows 0 and 1 (the two chip selects) respectively. This allows you to address two different QSPI devices with different command formats transparently.

Figure 130. An example serial read. After an 8-bit prefix, the host sends 24 address bits, and the device replies with data starting from the next cycle.

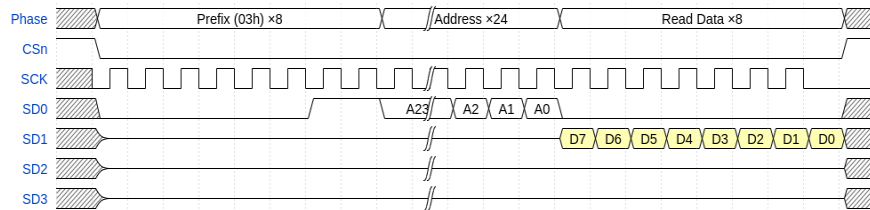


Figure 130 illustrates the *03h* serial read command. This section refers to a handful of common QSPI read/write commands used by QSPI flash/SRAM/PSRAM devices; refer to a QSPI device datasheet for command details. For example, the *W25Q16JV* datasheet available from Winbond provides descriptions of all of the read commands mentioned in this section.

Applying the five-phase structure introduced previously, the *03h* QSPI transaction breaks down as follows:

1. 8-bit prefix, at serial width (prefix = *0x03*)
2. 24-bit address, at serial width
3. No suffix (length 0)
4. No dummy bits (length 0)
5. Data bits, at serial width

The number of address bits is fixed at 24 for all QMI accesses. The number of data bits depends on the size of the transfer: this diagram shows 8 bits being transferred, which corresponds to an uncached byte read from the processor.

The **M0_RFMT/M1_RFMT** registers configure all other parameters used for the data phase, such as serial interface width.

The four data lines **SD3** through **SD0** make up the QSPI bus. At serial width, the host drives data out on **SD0**, and the device responds with data travelling in the opposite direction on **SD1**. **SD3** and **SD2** are undriven during serial-SPI and dual-SPI width parts of a transfer, and are usually pulled high. The shaded background behind the **D7** through **D0** data bits indicates that the transfer direction is device-to-host. Higher interface widths use the **SDx** lines bidirectionally.

Figure 131. The **0Bh** read command adds 8 dummy cycles between address and data, to permit higher bus frequencies.

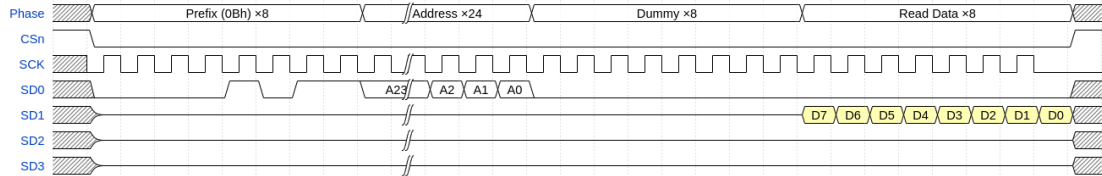


Figure 131 shows the **0Bh** serial read command, a common variation on the **03h**. **0Bh** adds dummy cycles between the address and data phases, which helps hide the initial access latency of the storage array inside of the QSPI device. This allows higher operating frequencies.

Applying the five-phase structure introduced previously, the **0Bh** QSPI transaction breaks down as follows:

1. 8-bit prefix, at serial width (prefix = **0x0b**)
2. 24-bit address, at serial width
3. No suffix (length 0)
4. Eight dummy bits, at serial width
5. Data bits, at serial width

At serial width, the QMI continues to drive the **SD0** line low throughout the dummy phase, as this line is unidirectional at this width. At dual-SPI and quad-SPI width, **SD0** is tristated during the dummy phase along with **SD1** through **SD3**.

QMI idles its clock low between transfers, expecting data to be captured on the leading edge of each clock pulse (i.e. the rising edge). In legacy Motorola SPI terms, the clock polarity is 0 and the clock phase is 0. Other clock polarities and phases are not supported. To ensure data is stable across the rising edge, new data is launched on each *falling* edge.

When transfer chaining is disabled (Section 12.14.2.1), QMI takes advantage of this clock behaviour by suppressing the final clock pulse on reads. This saves energy by avoiding unnecessary **SCK** transitions, and by not inadvertently requesting the data that immediately follows the requested data. QMI still leaves one full **SCK** period where the last data is valid, and still captures at the point the **SCK** rising edge would be launched (Section 12.14.3), but the actual **SCK** clock pulse is suppressed.

Figure 132. An **EBh** quad I/O read command. The command prefix is serial, but address and data are 4 bits per cycle.

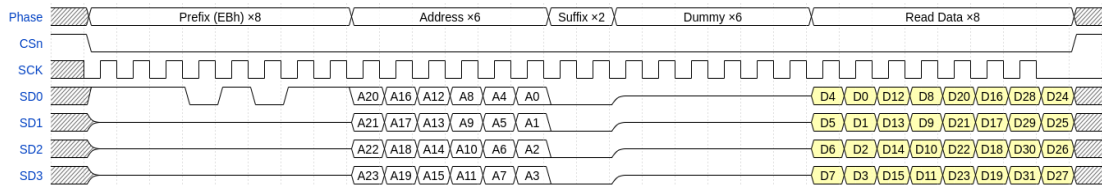


Figure 132 shows a quad-width read transfer. In this example, the command prefix is still transferred at serial width, but the full quad-width is used thereafter, as the prefix identifies the width of the access.

Applying the five-phase structure introduced previously, the QSPI transaction breaks down as follows:

1. 8-bit prefix, at serial width (prefix = **0xeb**)
2. 24-bit address, at quad width
3. 8-bit suffix, at quad width (suffix = **0x00**)
4. 24 dummy bits, at quad width
5. Data bits, at quad width

The suffix is an extension of the command prefix, placed after the address bits to avoid extending the initial access

latency. The bit patterns used for prefixes and suffixes are configured using the `M0_RCMD/M1_RCMD` registers (for reads) and `M0_WCMD/M1_WCMD` registers (for writes). One common use of the suffix on EBh quad I/O read commands is to enter a so-called continuous read mode, where the prefix of the next command is skipped (assumed to be the same as the current command) to reduce the number of cycles required for the next read access.

Figure 133. An 02h write transfer, shown with the device in QPI mode (4 bits per cycle for all transfers)

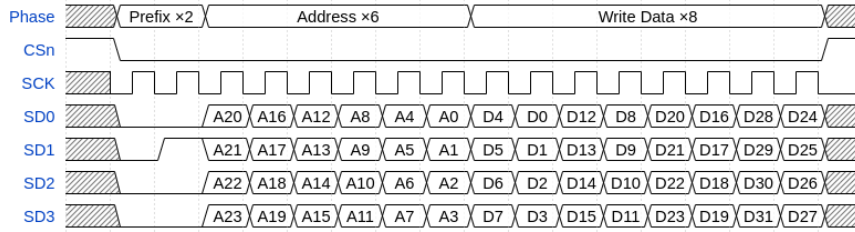


Figure 133 shows a write command at quad width. In this example, the command prefix is also issued in quad mode, which is common for QSPI RAM. Since read and write commands mix freely, dropping the prefix (like flash continuous read mode) is less useful, so QSPI RAM devices often support a **QPI mode** that also issues command prefixes in quad width to reduce per-access cost.

Applying the five-phase structure introduced previously, the QSPI transaction breaks down as follows:

1. 8-bit prefix, at quad width (prefix = `0x02`)
2. 24-bit address, at quad width
3. No suffix (0 bits)
4. No dummy bits
5. Data bits, at quad width

It is worth noting the bit and byte order in this diagram. SPI is conventionally MSB-first within each byte. When multiple bits transfer each cycle (using the `SD0`, `SD1`, `SD2` and `SD3` data lines in parallel), higher-numbered data lines carry more-significant bits. The first cycle of the data transfer in Figure 133 transfers the four most-significant bits of the first byte of data. The most-significant bit (bit 7) transfers on `SD3`, and the least-significant of these bits (bit 4) transfers on `SD0`.

Since RP2350 is a little-endian system, higher byte addresses correspond to higher numerical significance. Figure 133 shows the transfer of a 32-bit value spanning four consecutive byte addresses, starting at the initial address transmitted by the host during the address phase. The first two cycles of the data phase transfer the first byte, containing the 8 least-significant bits of the 32-bit value. The last two cycles of the data phase transfer the last byte, containing the 8 most-significant bits of the 32-bit value (bits 31 through 24, inclusive).

12.14.2.1. Transfer chaining

Referring back to Figure 132, which shows a 32-bit QSPI read with an EBh serial prefix, it's evident that more time is spent issuing the prefix and address (14 cycles) and waiting for the initial read latency (an additional 8 cycles), than actually transferring the data (8 cycles). This overhead leaves only a small fraction of the theoretical maximum QSPI throughput available for transferring data from flash, which limits the performance of direct code execution.

Figure 134. An EBh read, without the command prefix. The suffix is used to indicate the lack of prefix on the next command.

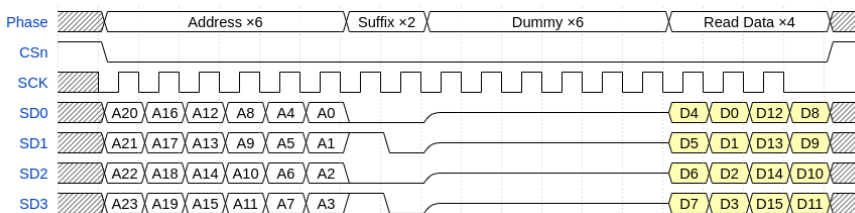
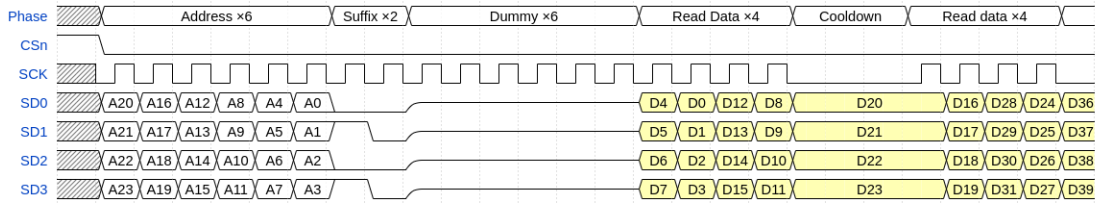


Figure 134 shows how this can be improved by **continuous read mode**, which uses a suffix (here `0xa0`) to indicate the lack of command prefix on the next command. This example only transfers 16 bits of data (e.g. an uncached halfword read by the processor). Suffixes are effectively free to transfer, because they are transferred during the latency wait period between the address being issued and the first data returned from the QSPI device's internal storage. However, this still leaves the majority of the QSPI bus cycles spent issuing addresses and waiting, not transferring data.

Consequently, QSPI memory’s random-access performance is much lower than its sequential-access performance.

Figure 135. An EBh read, with a subsequent sequential read chained onto the next transfer



QMI’s transfer chaining feature exploits the difference between sequential and non-sequential access speed. Figure 135 shows two sequentially-addressed halfword reads (i.e. the address of the second transfer is two plus the address of the first transfer), with `MO_TIMING.COOLDOWN/M1_TIMING.COOLDOWN` set to a non-zero value.

In Figure 134, QMI suppressed the last clock pulse and immediately released the chip select after the last data transferred. When transfer chaining is enabled, as in Figure 135, QMI does *not* suppress the last clock pulse, instead keeping the chip select asserted. It remains in this state for a certain amount of time, configured by the `COOLDOWN` register field, waiting for another transfer. QMI then executes the next transfer by appending more clocks to the current transfer. The chip select remains asserted throughout instead of releasing and reasserting between commands. To benefit from transfer chaining, the next transfer must meet the following criteria:

- same direction as the previous transfer (read/write)
- address sequential to the previous transfer (equal to previous address plus previous size)
- address in the same window as the previous transfer (same chip select)
- previous transfer did not reach a page break boundary (configured by `MO_TIMING.PAGEBREAK/M1_TIMING.PAGEBREAK`)

This considerably improves throughput for long uncached linear transfers such as using the XIP stream peripheral (Section 4.4.3) or executing cold code sequences which tend to miss the cache many times sequentially.

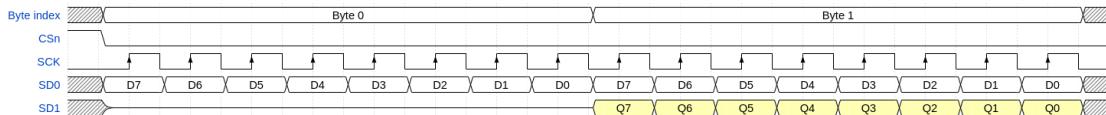
This can continue for arbitrarily many transfers. It is possible to read the entire contents of a typical flash device using transfer chaining from a single address.

Note that the transfer chaining feature can slightly degrade random access performance. If the next transfer is non-sequential, the chip select must be de-asserted, possibly dwell high for some minimum period (depending on timing requirements of the QSPI device), and then be reasserted to issue the new address. If transfer chaining were not used, the chip select would have de-asserted immediately following the end of the previous transfer, avoiding some of this delay. This can be mitigated by tuning the `COOLDOWN` timer register parameter to avoid leaving the chip select asserted for excessively long periods, since sequential transfers are usually tightly grouped in time.

12.14.3. Timing

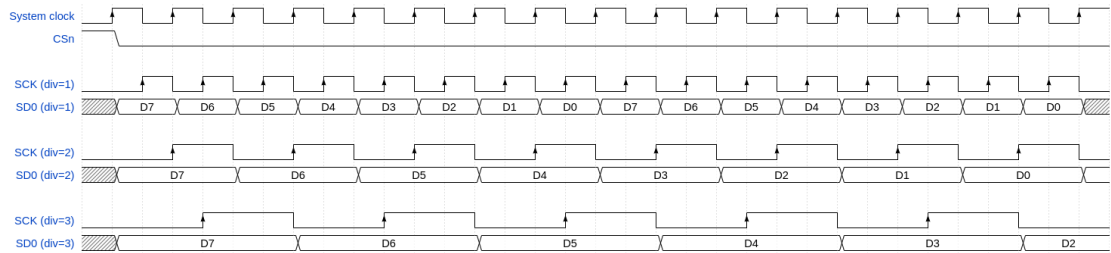
QMI operates in SPI mode 0, capturing data on each rising edge of `SCK`. New data is asserted on each subsequent falling edge. The first output data launches simultaneously with the assertion of the chip select, as illustrated by Figure 136.

Figure 136. A bidirectional SPI transfer, as used by QMI.



QMI timing is relative to the system clock. As this is generally quite fast relative to external signals, the `MO_TIMING.CLKDIV/M1_TIMING.CLKDIV` field can uniformly slow `SCK` and data lines by an integer factor.

Figure 137. The CLKDIV controls set the number of system clock cycles per SCK cycle, for each memory window.



QMI uses DDR input/output registers to enable a resolution of one half system clock cycle for output signal generation and input sampling. This allows QMI to support odd clock divisors, including divide-by-one (SCK frequency equal to system clock frequency).

i NOTE

In practice, the maximum SCK frequency is constrained by the limits of the attached QSPI device, the signal integrity afforded by the PCB layout, and IO delays in the pads. See Section 12.14.3.4.

12.14.3.1. Input sampling and RXDELAY

QMI samples input data on the rising edge of SCK (Section 12.14.3). To introduce additional delay to the input delay register (helpful when the round trip delay is longer than half an SCK cycle), use MO_TIMING.RXDELAY/M1_TIMING.RXDELAY. RXDELAY counts delay in half system clock cycles, instead of SCK cycles.

12.14.3.2. Chip select timing

To save power, chip select is de-asserted after a transaction completes. To leave chip select asserted after a transaction, use MO_TIMING.COOLDOWN/M1_TIMING.COOLDOWN. This can reduce latency and increase bus throughput.

Chip select can be asserted one system clock cycle early via MO_TIMING.SELECT_SETUP/M1_TIMING.SELECT_SETUP. Some flash devices require this setting at very high SCK frequencies. Without this setting, QMI asserts chip select one half SCK period before the first rising edge of SCK. This is simultaneous with the assertion of the first data on SDx.

Chip select hold time can also be extended by up to 3 additional system clock cycles via MO_TIMING.SELECT_HOLD/M1_TIMING.SELECT_HOLD.

To enforce a maximum amount of time that chip select can remain asserted, use MO_TIMING.MAX_SELECT/M1_TIMING.MAX_SELECT. This is useful for PSRAM devices, which must issue internal DRAM refresh cycles when deselected.

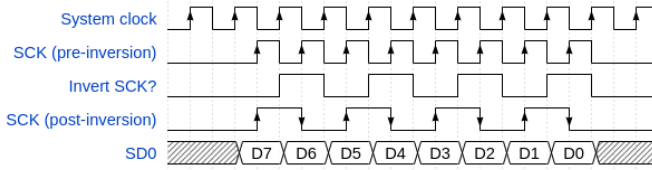
To enforce a minimum amount of time that chip select can remain de-asserted, use MO_TIMING.MIN_DESELECT/M1_TIMING.MIN_DESELECT.

12.14.3.3. Double transfer rate (DTR)

Some QSPI memory devices transfer data on both edges of SCK. This feature, known as **double transfer rate (DTR)**, allows a lower SCK frequency for a given data transfer rate, reducing EM emissions and the energy cost of toggling the external clock. To enable DTR mode (per-window and per-direction), set the MO_RFMT.DTR/M1_RFMT.DTR flag (for reads) or MO_WFMT.DTR/M1_WFMT.DTR (for writes).

QMI implements DTR by halving the clock frequency whilst maintaining the data rate. To achieve this, QMI *inverts* alternate single transfer rate SCK clock periods, transforming a low-high-low-high sequence into a low-high-high-low sequence. When DTR is disabled, the QMI launches data on SCK falling edges and captures on rising edges. When DTR is enabled, the QMI launches data at the point half-way in between two SCK edges, and captures on each edge, as shown in Figure 138.

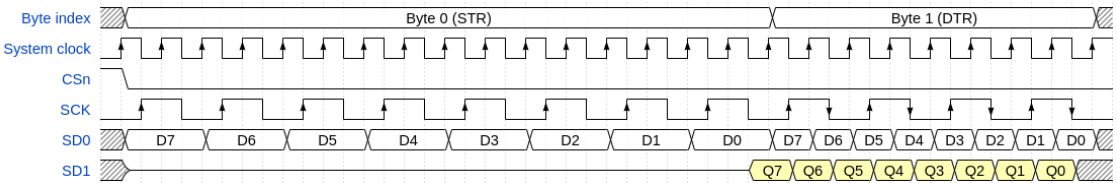
Figure 138. DTR is implemented by halving the SCK frequency whilst maintaining data rate.



Enabling DTR mode does not change the data timing, only the SCK timing. Data is launched at the point where a SCK negative edge would be, had the clock rate not been halved.

When DTR is enabled, the prefix and dummy phase of a transfer remain single transfer rate. In these phases, data bits are doubled to match the half-rate SCK, so that new data is ready in time for each rising edge only. Figure 139 shows the first byte (the command prefix) at single transfer rate and the second byte (address and data) at double transfer rate.

Figure 139. Parts of DTR-enabled transfers are still single transfer rate: effectively each data bit is sent twice.



The arrows on the SCK line in Figure 139 show the active edges of SCK (where data is captured). The single transfer rate portion of the access expects data capture on the rising edge. The double transfer rate portion of the access expects data capture on both edges.

Data travelling from device to host is likewise launched on both edges of SCK. Each time the QMI launches a new clock edge, there is some delay as transitions propagate through the RP2350 pad output delay, QSPI device SCK-to-SDx delay, and back in through the RP2350 SDx pad input delays. QMI captures data simultaneously with the launch of the next SCK edge, plus any delay configured by MO_TIMING.RXDELAY/M1_TIMING.RXDELAY. The round-trip delay from SCK output back to SDx input provides the SDx input hold time. If the input setup time is not sufficient, you can increase RXDELAY. For more information, see the specific QSPI device datasheet, as well as Section 12.14.3.4.

12.14.3.4. AC timing parameters

The QMI interface is timed using the internal system clock. Skew between different QMI pins for inputs or outputs is kept to a minimum. Any additional setup or hold time is supported by using additional clock cycle delays as mentioned in other sections. Skew values vary depending on whether we consider just the dedicated QSPI pins (QSPI_SS, QSPI_SD[3:0], QSPI_SCLK) or include the Bank 0 GPIO XIP special functions (for the additional QMI chip select). Different package options have different skew timing, shown below.

Table 1291. QMI Timing skew

| Interface | Typical Skew (ps) | Max Skew (ps) |
|-----------------------------|-------------------|---------------|
| QSPI input | 15 | 25 |
| QSPI output | 100 | 180 |
| Bank 0 GPIO (QFN-60) output | 1080 | 1725 |
| Bank 0 GPIO (QFN-80) output | 1280 | 2100 |

It is also useful to know the delay from internal register running on system clock to output pin, and similarly the delay from input pin to the sampling register running on system clock. Table 1292 provides worst case process, voltage, and temperature timings for inputs and outputs on QSPI, and outputs on GPIO. Note that this delay varies based on the VDDIO voltage level as shown in the table.

Table 1292. QMI Timing delay

| Path | Max delay (ns) VDDIO=3.3V | Max delay (ns) VDDIO=1.8V |
|-----------------------------|---------------------------|---------------------------|
| QSPI input to system clock | 1.5 | 1.2 |
| system clock to QSPI output | 2.5 | 3.6 |

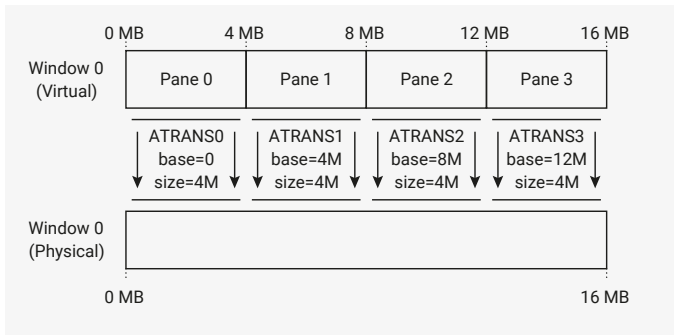
| Path | Max delay (ns) VDDIO=3.3V | Max delay (ns) VDDIO=1.8V |
|--------------------------------------|---------------------------|---------------------------|
| system clock to GPIO (QFN-60) output | 3.5 | 4.9 |
| system clock to GPIO (QFN-80) output | 4.1 | 5.4 |

12.14.4. Address translation

QMI applies a configurable mapping from the *virtual* address requested by the processor or DMA to the *physical* address transmitted to the external QSPI device. This is performed separately for each of the 16 MB chip select windows. You cannot map contents between devices.

Each window is divided into four *panes*, each independently mapped onto the physical address space for that window. The default configuration applied on QMI reset, as shown in Figure 140, is a 1:1 identity mapping between virtual and physical addresses. In this state the address mapping has no effect, and the entire 16 MB address space of the external QSPI device is mapped directly into the system address space.

Figure 140. By default, each window is set up to map the full 16 MB virtual address space directly 1:1 with the 16 MB physical address space.



Each pane corresponds to the one of the four **ATRANS_x** registers for that window: **ATRANS₀** through **ATRANS₃** for window 0, and **ATRANS₄** through **ATRANS₇** for window 1.

The virtual base address of each pane is fixed and assigned in 4 MB increments. There are two configurable parameters for the mapping of that pane into physical address space:

- **BASE**: defines the physical address corresponding to offset 0 in the virtual address pane. Configured in units of 4 kB (one flash sector), ranging from 0 to (16 MB minus 4 kB).
- **SIZE**: defines the amount of address space mapped by this pane. Configured in units of 4 kB (one flash sector) ranging from 0 to 4 MB.

The mapping grows from the start of the pane. A **SIZE** of 1 MB maps the first 1 MB of that pane’s virtual address range to downstream memory, and the remainder is unmapped. A **SIZE** of 0 means that no address within this virtual address pane is accessible. Accesses beyond the currently configured **SIZE** return a bus error, and do not pass through to the downstream QSPI bus. As a result, they have no effect on the external memory device.

Figure 141. The **BASE** of a pane defines where its physical mapping begins. The **SIZE** defines how far it extends. A **SIZE** of 0 means no addresses are mapped through that pane.

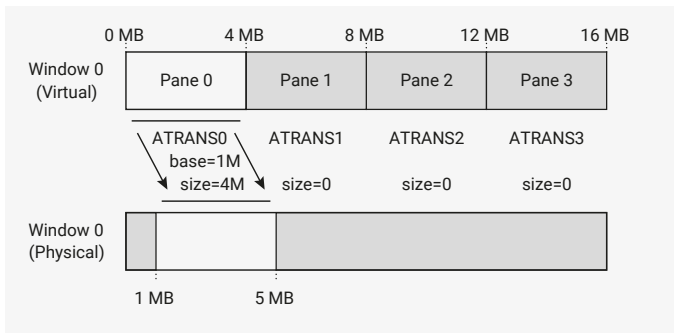


Figure 141 shows an example mapping, where the first 4 MB of virtual address space for chip select 0 (virtual address offsets **0x000000** through **0x3fffff** inclusive) map to a 4 MB physical address window starting at a 1 MB offset (physical address offsets **0x100000** through **0x4fffff** inclusive). This mapping could be used for flash that contains a 1 MB

bootloader application followed by a 4 MB user application. Ideally, the user application should not be aware of the flash layout defined by the bootloader; that way, the same application can run under different bootloader implementations. The virtual-to-physical mapping solves this problem by making the storage location of the user application (starting at 1 MB) independent of the address it appears at in the system address space (starting at 0 MB).

12.14.4.1. Bootrom support for address translation

The bootrom can automatically configure address translation at boot time, so that a binary stored at some arbitrary location in physical flash storage can appear at a runtime flash address of 0.

This is done automatically when the booted image is inside of a flash partition (Section 5.1.2), and can be adjusted manually based on a rolling window delta specified in the `IMAGE_DEF` of the launched executable (Section 5.1.4).

The bootrom source code and bootrom documentation often refers to the QMI `ATRANS` mapping as "rolling windows", due to the modulo address wrapping on 16 MB boundaries — see Section 5.1.19.

12.14.4.2. Translation and the XIP cache

The QMI address translation is performed downstream of the system XIP cache (Section 4.4.1). Therefore, the XIP cache is a *virtual cache* with respect to this translation, because the address translation performed inside QMI is opaque to the XIP cache.

Consequently, changes to the QMI address translation necessitate a flush of the XIP cache. From the cache's point of view, the translation change has moved QMI memory contents around in the cache's downstream address space in a way that is incoherent with the cache contents, so a flush is required to restore coherence. At a minimum, any virtual address whose `ATRANSx` register (`ATRANS0` through `ATRANS7`) has been modified, and which may be allocated in the cache in either the clean or the dirty state, must be flushed. It may be simplest to flush the entire cache.

QMI's address mapping creates another hazard: the same physical address may map to multiple virtual addresses, and therefore may be allocated multiple times in the XIP cache. When you write to a physical address through a cached virtual address alias, the XIP cache does not propagate the change to other aliases. To avoid this issue, do not allow multiple aliases of the same writable physical address at the same instant. Aliasing read-only memory is usually safe. Aliases that exist at different points in time (for example, across an RTOS context switch boundary) can be kept coherent with appropriate cleaning and flushing when the translation is changed.

12.14.5. Direct mode

In direct mode, the AHB XIP address window is disconnected from the QSPI bus, and the bus is controlled through a TX/RX FIFO pair, similar to a normal SPI peripheral. In this state, the XIP window becomes inaccessible. Attempting to access it generates a bus fault. This mode is used for low-level access to the QSPI bus, for example when issuing flash erase/programming commands, or when accessing QSPI device status registers.

All direct-mode operation is controlled through `DIRECT_CSR`, with data being exchanged through `DIRECT_TX` and `DIRECT_RX`. To enable direct mode, first set `DIRECT_CSR.EN`, and then poll for `DIRECT_CSR.BUSY` to go low to ensure that any in-progress XIP transfer at the point direct mode was enabled has completed.

Direct mode has its own clock divisor and RX sampling delay, configured by `DIRECT_CSR.CLKDIV` and `DIRECT_CSR.RXDELAY`. These are separate from the per-window settings configured in `MO_TIMING/M1_TIMING`, because serial commands used for control purposes may have different frequency limits than data accesses used for execute-in-place.

For each push to `DIRECT_TX`, QMI will issue 8 or 16 bits of FIFO data to the QSPI bus. Optionally, the same number of bits are simultaneously sampled and returned in `DIRECT_RX`. The clock is initially low, and data is always captured on the rising edge of `SCK`, transitioning on the subsequent falling edge.

After pushing to `DIRECT_TX`, `DIRECT_CSR.BUSY` will go high, and remain high until all direct-mode activity has completed. This works even if no RX data is returned, so is more reliable than polling the RX FIFO status. The `BUSY` flag

stays high for half an **SCK** period after the transfer finishes, to ensure safe chip select timing when this is used to drive the chip selects – see [Section 12.14.5.2](#).

QMI will never push to a full RX FIFO, or drop data as a result of the FIFO being full – instead, the interface is paused until the system pops **DIRECT_RX**. This avoids a common trap of RX data being lost when the processor is heavily interrupted during direct-mode operation, but software must take care not to poll for **DIRECT_CSR.BUSY** low without also checking the RX FIFO, as this can cause a deadlock when the FIFO fills.

12.14.5.1. Controls in DIRECT_TX

The TX FIFO carries control information as well as data, with data in the 16 LSBs, and control information in the immediately more-significant bits:

- **DIRECT_TX.NOPUSH** inhibits the **DIRECT_RX** push which would match this TX data. This avoids creating garbage when pushing control/address information at the start of a transfer.
- **DIRECT_TX.DWIDTH** is the data width of this FIFO record. 0 means the 8 LSBs contain data, and 1 means the 16 LSBs contain data. This also determines the amount of data returned in the matching **DIRECT_RX** entry.
- **DIRECT_TX.IWIDTH** is the interface width (single-dual/quad) used to clock out this FIFO record. The corresponding RX data is sampled at the same width.
- **DIRECT_TX.OE** controls the pad direction for bidirectional transfers. It is ignored for serial **IWIDTH**, since **SD0** is always an output and **SD1** always an input. At dual/quad width, it must be set in order to enable the output drivers for the duration of this FIFO record. The TX data is don't-care when **IWIDTH** is dual/quad and **OE** is not set.

The default when all control bits are zero is an 8-bit serial transfer, with 8 bits of sampled data returned. Therefore, you can ignore the control bits and treat this as a plain 8-bit data FIFO.

12.14.5.2. Chip select control

There are two options for driving the chip selects, both via **DIRECT_CSR**:

- **DIRECT_CSR.ASSERT_CS0N** and **DIRECT_CSR.ASSERT_CS1N** will *immediately* drive the corresponding chip select low when set
- **DIRECT_CSR.AUTO_CS0N** and **DIRECT_CSR.AUTO_CS1N** configure the corresponding chip select to be set low whenever the interface is busy, i.e. when the **DIRECT_CSR.BUSY** flag is high due to a previous **DIRECT_TX** push

! IMPORTANT

The **ASSERT_CSxN** fields assert the chip select *unconditionally*, including when **DIRECT_CSR.EN** is clear. Software must take care not to set these fields when XIP transfers may be active.

12.14.6. List of registers

The QMI control registers start at address **0x400d0000**, defined as **XIP_QMI_BASE** in the SDK.

Table 1293. List of QMI registers

| Offset | Name | Info |
|--------|-------------------|--|
| 0x00 | DIRECT_CSR | Control and status for direct serial mode Direct serial mode allows the processor to send and receive raw serial frames, for programming, configuration and control of the external memory devices. Only SPI mode 0 (CPOL=0 CPHA=0) is supported. |
| 0x04 | DIRECT_TX | Transmit FIFO for direct mode |

| Offset | Name | Info |
|--------|---------------------------|---|
| 0x08 | DIRECT_RX | Receive FIFO for direct mode |
| 0x0c | M0_TIMING | Timing configuration register for memory address window 0. |
| 0x10 | M0_RFMT | Read transfer format configuration for memory address window 0. |
| 0x14 | M0_RCMD | Command constants used for reads from memory address window 0. |
| 0x18 | M0_WFMT | Write transfer format configuration for memory address window 0. |
| 0x1c | M0_WCMD | Command constants used for writes to memory address window 0. |
| 0x20 | M1_TIMING | Timing configuration register for memory address window 1. |
| 0x24 | M1_RFMT | Read transfer format configuration for memory address window 1. |
| 0x28 | M1_RCMD | Command constants used for reads from memory address window 1. |
| 0x2c | M1_WFMT | Write transfer format configuration for memory address window 1. |
| 0x30 | M1_WCMD | Command constants used for writes to memory address window 1. |
| 0x34 | ATRANS0 | Configure address translation for XIP virtual addresses 0x000000 through 0x3fffff (a 4 MiB window starting at +0 MiB). |
| 0x38 | ATRANS1 | Configure address translation for XIP virtual addresses 0x400000 through 0x7fffff (a 4 MiB window starting at +4 MiB). |
| 0x3c | ATRANS2 | Configure address translation for XIP virtual addresses 0x800000 through 0xbfffff (a 4 MiB window starting at +8 MiB). |
| 0x40 | ATRANS3 | Configure address translation for XIP virtual addresses 0xc00000 through 0xfffff (a 4 MiB window starting at +12 MiB). |
| 0x44 | ATRANS4 | Configure address translation for XIP virtual addresses 0x1000000 through 0x13fffff (a 4 MiB window starting at +16 MiB). |
| 0x48 | ATRANS5 | Configure address translation for XIP virtual addresses 0x1400000 through 0x17fffff (a 4 MiB window starting at +20 MiB). |
| 0x4c | ATRANS6 | Configure address translation for XIP virtual addresses 0x1800000 through 0x1bfffff (a 4 MiB window starting at +24 MiB). |
| 0x50 | ATRANS7 | Configure address translation for XIP virtual addresses 0x1c00000 through 0x1fffff (a 4 MiB window starting at +28 MiB). |

QMI: DIRECT_CSR Register

Offset: 0x00

Description

Control and status for direct serial mode

Direct serial mode allows the processor to send and receive raw serial frames, for programming, configuration and control of the external memory devices. Only SPI mode 0 (CPOL=0 CPHA=0) is supported.

Table 1294.
DIRECT_CSR Register

| Bits | Description | Type | Reset |
|-------|--|------|-------|
| 31:30 | RXDELAY: Delay the read data sample timing, in units of one half of a system clock cycle. (Not necessarily half of an SCK cycle.) | RW | 0x0 |
| 29:22 | CLKDIV: Clock divisor for direct serial mode. Divisors of 1..255 are encoded directly, and the maximum divisor of 256 is encoded by a value of CLKDIV=0. The clock divisor can be changed on-the-fly by software, without halting or otherwise coordinating with the serial interface. The serial interface will sample the latest clock divisor each time it begins the transmission of a new byte. | RW | 0x06 |
| 21 | Reserved. | - | - |
| 20:18 | RXLEVEL: Current level of DIRECT_RX FIFO | RO | 0x0 |
| 17 | RXFULL: When 1, the DIRECT_RX FIFO is currently full. The serial interface will be stalled until data is popped; the interface will not begin a new serial frame when the DIRECT_TX FIFO is empty or the DIRECT_RX FIFO is full. | RO | 0x0 |
| 16 | RXEMPTY: When 1, the DIRECT_RX FIFO is currently empty. If the processor attempts to read more data, the FIFO state is not affected, but the value returned to the processor is undefined. | RO | 0x0 |
| 15 | Reserved. | - | - |
| 14:12 | TXLEVEL: Current level of DIRECT_TX FIFO | RO | 0x0 |
| 11 | TXEMPTY: When 1, the DIRECT_TX FIFO is currently empty. Unless the processor pushes more data, transmission will stop and BUSY will go low once the current 8-bit serial frame completes. | RO | 0x0 |
| 10 | TXFULL: When 1, the DIRECT_TX FIFO is currently full. If the processor tries to write more data, that data will be ignored. | RO | 0x0 |
| 9:8 | Reserved. | - | - |
| 7 | AUTO_CS1N: When 1, automatically assert the CS1n chip select line whenever the BUSY flag is set. | RW | 0x0 |
| 6 | AUTO_CS0N: When 1, automatically assert the CS0n chip select line whenever the BUSY flag is set. | RW | 0x0 |
| 5:4 | Reserved. | - | - |
| 3 | ASSERT_CS1N: When 1, assert (i.e. drive low) the CS1n chip select line. Note that this applies even when DIRECT_CSR_EN is 0. | RW | 0x0 |
| 2 | ASSERT_CS0N: When 1, assert (i.e. drive low) the CS0n chip select line. Note that this applies even when DIRECT_CSR_EN is 0. | RW | 0x0 |

| Bits | Description | Type | Reset |
|------|--|------|-------|
| 1 | <p>BUSY: Direct mode busy flag. If 1, data is currently being shifted in/out (or would be if the interface were not stalled on the RX FIFO), and the chip select must not yet be deasserted.</p> <p>The busy flag will also be set to 1 if a memory-mapped transfer is still in progress when direct mode is enabled. Direct mode blocks new memory-mapped transfers, but can't halt a transfer that is already in progress. If there is a chance that memory-mapped transfers may be in progress, the busy flag should be polled for 0 before asserting the chip select.</p> <p>(In practice you will usually discover this timing condition through other means, because any subsequent memory-mapped transfers when direct mode is enabled will return bus errors, which are difficult to ignore.)</p> | RO | 0x0 |
| 0 | <p>EN: Enable direct mode.</p> <p>In direct mode, software controls the chip select lines, and can perform direct SPI transfers by pushing data to the DIRECT_TX FIFO, and popping the same amount of data from the DIRECT_RX FIFO.</p> <p>Memory-mapped accesses will generate bus errors when direct serial mode is enabled.</p> | RW | 0x0 |

QMI: DIRECT_TX Register

Offset: 0x04

Description

Transmit FIFO for direct mode

Table 1295.
DIRECT_TX Register

| Bits | Description | Type | Reset |
|-------|---|------|-------|
| 31:21 | Reserved. | - | - |
| 20 | <p>NOPUSH: Inhibit the RX FIFO push that would correspond to this TX FIFO entry.</p> <p>Useful to avoid garbage appearing in the RX FIFO when pushing the command at the beginning of a SPI transfer.</p> | WF | 0x0 |
| 19 | <p>OE: Output enable (active-high). For single width (SPI), this field is ignored, and SD0 is always set to output, with SD1 always set to input.</p> <p>For dual and quad width (DSPI/QSPI), this sets whether the relevant SDx pads are set to output whilst transferring this FIFO record. In this case the command/address should have OE set, and the data transfer should have OE set or clear depending on the direction of the transfer.</p> | WF | 0x0 |
| 18 | <p>DWIDTH: Data width. If 0, hardware will transmit the 8 LSBs of the DIRECT_TX DATA field, and return an 8-bit value in the 8 LSBs of DIRECT_RX. If 1, the full 16-bit width is used. 8-bit and 16-bit transfers can be mixed freely.</p> | WF | 0x0 |
| 17:16 | <p>IWIDTH: Configure whether this FIFO record is transferred with single/dual/quad interface width (0/1/2). Different widths can be mixed freely.</p> | WF | 0x0 |
| | Enumerated values: | | |
| | 0x0 → S: Single width | | |

| Bits | Description | Type | Reset |
|------|--|------|--------|
| | 0x1 → D: Dual width | | |
| | 0x2 → Q: Quad width | | |
| 15:0 | <p>DATA: Data pushed here will be clocked out falling edges of SCK (or before the very first rising edge of SCK, if this is the first pulse). For each byte clocked out, the interface will simultaneously sample one byte, on rising edges of SCK, and push this to the DIRECT_RX FIFO.</p> <p>For 16-bit data, the least-significant byte is transmitted first.</p> | WF | 0x0000 |

QMI: DIRECT_RX Register

Offset: 0x08

Description

Receive FIFO for direct mode

Table 1296.
DIRECT_RX Register

| Bits | Description | Type | Reset |
|-------|--|------|--------|
| 31:16 | Reserved. | - | - |
| 15:0 | <p>With each byte clocked out on the serial interface, one byte will simultaneously be clocked in, and will appear in this FIFO. The serial interface will stall when this FIFO is full, to avoid dropping data.</p> <p>When 16-bit data is pushed into the TX FIFO, the corresponding RX FIFO push will also contain 16 bits of data. The least-significant byte is the first one received.</p> | RF | 0x0000 |

QMI: M0_TIMING, M1_TIMING Registers

Offsets: 0x0c, 0x20

Description

Timing configuration register for memory address window 0/1.

Table 1297.
M0_TIMING,
M1_TIMING Registers

| Bits | Description | Type | Reset |
|-------|--|------|-------|
| 31:30 | <p>COOLDOWN: Chip select cooldown period. When a memory transfer finishes, the chip select remains asserted for 64 x COOLDOWN system clock cycles, plus half an SCK clock period (rounded up for odd SCK divisors). After this cooldown expires, the chip select is always deasserted to save power.</p> <p>If the next memory access arrives within the cooldown period, the QMI may be able to append more SCK cycles to the currently ongoing SPI transfer, rather than starting a new transfer. This reduces access latency and increases bus throughput.</p> <p>Specifically, the next access must be in the same direction (read/write), access the same memory window (chip select 0/1), and follow sequentially the address of the last transfer. If any of these are false, the new access will first deassert the chip select, then begin a new transfer.</p> <p>If COOLDOWN is 0, the address alignment configured by PAGEBREAK has been reached, or the total chip select assertion limit MAX_SELECT has been reached, the cooldown period is skipped, and the chip select will always be deasserted one half SCK period after the transfer finishes.</p> | RW | 0x1 |

| Bits | Description | Type | Reset |
|-------|--|------|-------|
| 29:28 | <p>PAGEBREAK: When page break is enabled, chip select will automatically deassert when crossing certain power-of-2-aligned address boundaries. The next access will always begin a new read/write SPI burst, even if the address of the next access follows in sequence with the last access before the page boundary.</p> <p>Some flash and PSRAM devices forbid crossing page boundaries with a single read/write transfer, or restrict the operating frequency for transfers that do cross page a boundary. This option allows the QMI to safely support those devices.</p> <p>This field has no effect when COOLDOWN is disabled.</p> | RW | 0x0 |
| | Enumerated values: | | |
| | 0x0 → NONE: No page boundary is enforced | | |
| | 0x1 → 256: Break bursts crossing a 256-byte page boundary | | |
| | 0x2 → 1024: Break bursts crossing a 1024-byte quad-page boundary | | |
| | 0x3 → 4096: Break bursts crossing a 4096-byte sector boundary | | |
| 27:26 | Reserved. | - | - |
| 25 | <p>SELECT_SETUP: Add up to one additional system clock cycle of setup between chip select assertion and the first rising edge of SCK.</p> <p>The default setup time is one half SCK period, which is usually sufficient except for very high SCK frequencies with some flash devices.</p> | RW | 0x0 |
| 24:23 | <p>SELECT_HOLD: Add up to three additional system clock cycles of active hold between the last falling edge of SCK and the deassertion of this window's chip select.</p> <p>The default hold time is one system clock cycle. Note that flash datasheets usually give chip select active hold time from the last rising edge of SCK, and so even zero hold from the last falling edge would be safe.</p> <p>Note that this is a minimum hold time guaranteed by the QMI: the actual chip select active hold may be slightly longer for read transfers with low clock divisors and/or high sample delays. Specifically, if the point two cycles after the last RX data sample is later than the last SCK falling edge, then the hold time is measured from this point.</p> <p>Note also that, in case the final SCK pulse is masked to save energy (true for non-DTR reads when COOLDOWN is disabled or PAGE_BREAK is reached), all of QMI's timing logic behaves as though the clock pulse were still present. The SELECT_HOLD time is applied from the point where the last SCK falling edge would be if the clock pulse were not masked.</p> | RW | 0x0 |

| Bits | Description | Type | Reset |
|-------|---|------|-------|
| 22:17 | <p>MAX_SELECT: Enforce a maximum assertion duration for this window's chip select, in units of 64 system clock cycles. If 0, the QMI is permitted to keep the chip select asserted indefinitely when servicing sequential memory accesses (see COOLDOWN).</p> <p>This feature is required to meet timing constraints of PSRAM devices, which specify a maximum chip select assertion so they can perform DRAM refresh cycles. See also MIN_DESELECT, which can enforce a minimum deselect time.</p> <p>If a memory access is in progress at the time MAX_SELECT is reached, the QMI will wait for the access to complete before deasserting the chip select. This additional time must be accounted for to calculate a safe MAX_SELECT value. In the worst case, this may be a fully-formed serial transfer, including command prefix and address, with a data payload as large as one cache line.</p> | RW | 0x00 |
| 16:12 | <p>MIN_DESELECT: After this window's chip select is deasserted, it remains deasserted for half an SCK cycle (rounded up to an integer number of system clock cycles), plus MIN_DESELECT additional system clock cycles, before the QMI reasserts either chip select pin.</p> <p>Nonzero values may be required for PSRAM devices which enforce a longer minimum CS deselect time, so that they can perform internal DRAM refresh cycles whilst deselected.</p> | RW | 0x00 |
| 11 | Reserved. | - | - |
| 10:8 | <p>RXDELAY: Delay the read data sample timing, in units of one half of a system clock cycle. (Not necessarily half of an SCK cycle.) An RXDELAY of 0 means the sample is captured at the SDI input registers simultaneously with the rising edge of SCK launched from the SCK output register.</p> <p>At higher SCK frequencies, RXDELAY may need to be increased to account for the round trip delay of the pads, and the clock-to-Q delay of the QSPI memory device.</p> | RW | 0x0 |
| 7:0 | <p>CLKDIV: Clock divisor. Odd and even divisors are supported. Defines the SCK clock period in units of 1 system clock cycle. Divisors 1..255 are encoded directly, and a divisor of 256 is encoded with a value of CLKDIV=0.</p> <p>The clock divisor can be changed on-the-fly, even when the QMI is currently accessing memory in this address window. All other parameters must only be changed when the QMI is idle.</p> <p>If software is increasing CLKDIV in anticipation of an increase in the system clock frequency, a dummy access to either memory window (and appropriate processor barriers/fences) must be inserted after the Mx_TIMING write to ensure the SCK divisor change is in effect <i>before</i> the system clock is changed.</p> | RW | 0x04 |

QMI: M0_RFMT, M1_RFMT Registers

Offsets: 0x10, 0x24

Description

Read transfer format configuration for memory address window 0/1.

Configure the bus width of each transfer phase individually, and configure the length or presence of the command prefix, command suffix and dummy/turnaround transfer phases. Only 24-bit addresses are supported.

The reset value of the Mx_RFMT register is configured to support a basic 03h serial read transfer with no additional configuration.

Table 1298.
M0_RFMT, M1_RFMT
Registers

| Bits | Description | Type | Reset |
|-------|--|------|-------|
| 31:29 | Reserved. | - | - |
| 28 | <p>DTR: Enable double transfer rate (DTR) for read commands: address, suffix and read data phases are active on both edges of SCK. SDO data is launched centre-aligned on each SCK edge, and SDI data is captured on the SCK edge that follows its launch.</p> <p>DTR is implemented by halving the clock rate; SCK has a period of 2 x CLK_DIV throughout the transfer. The prefix and dummy phases are still single transfer rate.</p> <p>If the suffix is quad-width, it must be 0 or 8 bits in length, to ensure an even number of SCK edges.</p> | RW | 0x0 |
| 27:19 | Reserved. | - | - |
| 18:16 | <p>DUMMY_LEN: Length of dummy phase between command suffix and data phase, in units of 4 bits. (i.e. 1 cycle for quad width, 2 for dual, 4 for single)</p> <p>Enumerated values:</p> <p>0x0 → NONE: No dummy phase</p> <p>0x1 → 4: 4 dummy bits</p> <p>0x2 → 8: 8 dummy bits</p> <p>0x3 → 12: 12 dummy bits</p> <p>0x4 → 16: 16 dummy bits</p> <p>0x5 → 20: 20 dummy bits</p> <p>0x6 → 24: 24 dummy bits</p> <p>0x7 → 28: 28 dummy bits</p> | RW | 0x0 |
| 15:14 | <p>SUFFIX_LEN: Length of post-address command suffix, in units of 4 bits. (i.e. 1 cycle for quad width, 2 for dual, 4 for single)</p> <p>Only values of 0 and 8 bits are supported.</p> <p>Enumerated values:</p> <p>0x0 → NONE: No suffix</p> <p>0x2 → 8: 8-bit suffix</p> | RW | 0x0 |
| 13 | Reserved. | - | - |
| 12 | <p>PREFIX_LEN: Length of command prefix, in units of 8 bits. (i.e. 2 cycles for quad width, 4 for dual, 8 for single)</p> <p>Enumerated values:</p> <p>0x0 → NONE: No prefix</p> <p>0x1 → 8: 8-bit prefix</p> | RW | 0x1 |
| 11:10 | Reserved. | - | - |
| 9:8 | DATA_WIDTH: The width used for the data transfer | RW | 0x0 |

| Bits | Description | Type | Reset |
|------|--|------|-------|
| | Enumerated values: | | |
| | 0x0 → S: Single width | | |
| | 0x1 → D: Dual width | | |
| | 0x2 → Q: Quad width | | |
| 7:6 | DUMMY_WIDTH: The width used for the dummy phase, if any. If width is single, SD0/MOSI is held asserted low during the dummy phase, and SD1...SD3 are tristated. If width is dual/quad, all IOs are tristated during the dummy phase. | RW | 0x0 |
| | Enumerated values: | | |
| | 0x0 → S: Single width | | |
| | 0x1 → D: Dual width | | |
| | 0x2 → Q: Quad width | | |
| 5:4 | SUFFIX_WIDTH: The width used for the post-address command suffix, if any | RW | 0x0 |
| | Enumerated values: | | |
| | 0x0 → S: Single width | | |
| | 0x1 → D: Dual width | | |
| | 0x2 → Q: Quad width | | |
| 3:2 | ADDR_WIDTH: The transfer width used for the address. The address phase always transfers 24 bits in total. | RW | 0x0 |
| | Enumerated values: | | |
| | 0x0 → S: Single width | | |
| | 0x1 → D: Dual width | | |
| | 0x2 → Q: Quad width | | |
| 1:0 | PREFIX_WIDTH: The transfer width used for the command prefix, if any | RW | 0x0 |
| | Enumerated values: | | |
| | 0x0 → S: Single width | | |
| | 0x1 → D: Dual width | | |
| | 0x2 → Q: Quad width | | |

QMI: M0_RCMD, M1_RCMD Registers

Offsets: 0x14, 0x28

Description

Command constants used for reads from memory address window 0/1.

The reset value of the Mx_RCMD register is configured to support a basic 03h serial read transfer with no additional configuration.

Table 1299.
M0_RCMD, M1_RCMD
Registers

| Bits | Description | Type | Reset |
|-------|-------------|------|-------|
| 31:16 | Reserved. | - | - |

| Bits | Description | Type | Reset |
|------|---|------|-------|
| 15:8 | SUFFIX: The command suffix bits following the address, if Mx_RFMT_SUFFIX_LEN is nonzero. | RW | 0xa0 |
| 7:0 | PREFIX: The command prefix bits to prepend on each new transfer, if Mx_RFMT_PREFIX_LEN is nonzero. | RW | 0x03 |

QMI: M0_WFMT, M1_WFMT Registers

Offsets: 0x18, 0x2c

Description

Write transfer format configuration for memory address window 0/1.

Configure the bus width of each transfer phase individually, and configure the length or presence of the command prefix, command suffix and dummy/turnaround transfer phases. Only 24-bit addresses are supported.

The reset value of the Mx_WFMT register is configured to support a basic 02h serial write transfer. However, writes to this window must first be enabled via the XIP_CTRL_WRITABLE_Mx bit for this window, as XIP memory is read-only by default.

Table 1300.
M0_WFMT, M1_WFMT
Registers

| Bits | Description | Type | Reset |
|-------|--|------|-------|
| 31:29 | Reserved. | - | - |
| 28 | <p>DTR: Enable double transfer rate (DTR) for write commands: address, suffix and write data phases are active on both edges of SCK. SDO data is launched centre-aligned on each SCK edge, and SDI data is captured on the SCK edge that follows its launch.</p> <p>DTR is implemented by halving the clock rate; SCK has a period of 2 x CLK_DIV throughout the transfer. The prefix and dummy phases are still single transfer rate.</p> <p>If the suffix is quad-width, it must be 0 or 8 bits in length, to ensure an even number of SCK edges.</p> | RW | 0x0 |
| 27:19 | Reserved. | - | - |
| 18:16 | <p>DUMMY_LEN: Length of dummy phase between command suffix and data phase, in units of 4 bits. (i.e. 1 cycle for quad width, 2 for dual, 4 for single)</p> <p>Enumerated values:</p> <p>0x0 → NONE: No dummy phase</p> <p>0x1 → 4: 4 dummy bits</p> <p>0x2 → 8: 8 dummy bits</p> <p>0x3 → 12: 12 dummy bits</p> <p>0x4 → 16: 16 dummy bits</p> <p>0x5 → 20: 20 dummy bits</p> <p>0x6 → 24: 24 dummy bits</p> <p>0x7 → 28: 28 dummy bits</p> | RW | 0x0 |
| 15:14 | <p>SUFFIX_LEN: Length of post-address command suffix, in units of 4 bits. (i.e. 1 cycle for quad width, 2 for dual, 4 for single)</p> <p>Only values of 0 and 8 bits are supported.</p> | RW | 0x0 |

| Bits | Description | Type | Reset |
|-------|---|------|-------|
| | Enumerated values: | | |
| | 0x0 → NONE: No suffix | | |
| | 0x2 → 8: 8-bit suffix | | |
| 13 | Reserved. | - | - |
| 12 | PREFIX_LEN : Length of command prefix, in units of 8 bits. (i.e. 2 cycles for quad width, 4 for dual, 8 for single) | RW | 0x1 |
| | Enumerated values: | | |
| | 0x0 → NONE: No prefix | | |
| | 0x1 → 8: 8-bit prefix | | |
| 11:10 | Reserved. | - | - |
| 9:8 | DATA_WIDTH : The width used for the data transfer | RW | 0x0 |
| | Enumerated values: | | |
| | 0x0 → S: Single width | | |
| | 0x1 → D: Dual width | | |
| | 0x2 → Q: Quad width | | |
| 7:6 | DUMMY_WIDTH : The width used for the dummy phase, if any. If width is single, SD0/MOSI is held asserted low during the dummy phase, and SD1...SD3 are tristated. If width is dual/quad, all IOs are tristated during the dummy phase. | RW | 0x0 |
| | Enumerated values: | | |
| | 0x0 → S: Single width | | |
| | 0x1 → D: Dual width | | |
| | 0x2 → Q: Quad width | | |
| 5:4 | SUFFIX_WIDTH : The width used for the post-address command suffix, if any | RW | 0x0 |
| | Enumerated values: | | |
| | 0x0 → S: Single width | | |
| | 0x1 → D: Dual width | | |
| | 0x2 → Q: Quad width | | |
| 3:2 | ADDR_WIDTH : The transfer width used for the address. The address phase always transfers 24 bits in total. | RW | 0x0 |
| | Enumerated values: | | |
| | 0x0 → S: Single width | | |
| | 0x1 → D: Dual width | | |
| | 0x2 → Q: Quad width | | |
| 1:0 | PREFIX_WIDTH : The transfer width used for the command prefix, if any | RW | 0x0 |
| | Enumerated values: | | |
| | 0x0 → S: Single width | | |

| Bits | Description | Type | Reset |
|------|---------------------|------|-------|
| | 0x1 → D: Dual width | | |
| | 0x2 → Q: Quad width | | |

QMI: M0_WCMD, M1_WCMD Registers

Offsets: 0x1c, 0x30

Description

Command constants used for writes to memory address window 0/1.

The reset value of the Mx_WCMD register is configured to support a basic 02h serial write transfer with no additional configuration.

Table 1301.
M0_WCMD,
M1_WCMD Registers

| Bits | Description | Type | Reset |
|-------|---|------|-------|
| 31:16 | Reserved. | - | - |
| 15:8 | SUFFIX: The command suffix bits following the address, if Mx_WFMT_SUFFIX_LEN is nonzero. | RW | 0xa0 |
| 7:0 | PREFIX: The command prefix bits to prepend on each new transfer, if Mx_WFMT_PREFIX_LEN is nonzero. | RW | 0x02 |

QMI: ATRANS0, ATRANS4 Registers

Offsets: 0x34, 0x44

Description

Configure address translation for a 4 MiB window of XIP virtual addresses starting at $n \times 4$ MiB.

Address translation allows a program image to be executed in place at multiple physical flash addresses (for example, a double-buffered flash image for over-the-air updates), without the overhead of position-independent code.

At reset, the address translation registers are initialised to an identity mapping, so that they can be ignored if address translation is not required.

Note that the XIP cache is fully virtually addressed, so a cache flush is required after changing the address translation.

Table 1302. ATRANS0,
ATrans4 Registers

| Bits | Description | Type | Reset |
|-------|---|------|-------|
| 31:27 | Reserved. | - | - |
| 26:16 | SIZE: Translation aperture size for this virtual address range, in units of 4 kiB (one flash sector). Bits 21:12 of the virtual address are compared to SIZE. Offsets greater than SIZE return a bus error, and do not cause a QSPI access. | RW | 0x400 |
| 15:12 | Reserved. | - | - |
| 11:0 | BASE: Physical address base for this virtual address range, in units of 4 kiB (one flash sector). Taking a 24-bit virtual address, firstly bits 23:22 (the two MSBs) are masked to zero, and then BASE is added to bits 23:12 (the upper 12 bits) to form the physical address. Translation wraps on a 16 MiB boundary. | RW | 0x000 |

QMI: ATRANS1, ATRANS5 Registers

Offsets: 0x38, 0x48

Description

Configure address translation for XIP virtual addresses 0x400000 through 0x7fffff (a 4 MiB window starting at +4 MiB).

Address translation allows a program image to be executed in place at multiple physical flash addresses (for example, a double-buffered flash image for over-the-air updates), without the overhead of position-independent code.

At reset, the address translation registers are initialised to an identity mapping, so that they can be ignored if address translation is not required.

Note that the XIP cache is fully virtually addressed, so a cache flush is required after changing the address translation.

Table 1303. ATRANS1, ATRANS5 Registers

| Bits | Description | Type | Reset |
|-------|---|------|-------|
| 31:27 | Reserved. | - | - |
| 26:16 | SIZE: Translation aperture size for this virtual address range, in units of 4 kiB (one flash sector). Bits 21:12 of the virtual address are compared to SIZE. Offsets greater than SIZE return a bus error, and do not cause a QSPI access. | RW | 0x400 |
| 15:12 | Reserved. | - | - |
| 11:0 | BASE: Physical address base for this virtual address range, in units of 4 kiB (one flash sector). Taking a 24-bit virtual address, firstly bits 23:22 (the two MSBs) are masked to zero, and then BASE is added to bits 23:12 (the upper 12 bits) to form the physical address. Translation wraps on a 16 MiB boundary. | RW | 0x400 |

QMI: ATRANS2, ATRANS6 Registers

Offsets: 0x3c, 0x4c

Description

Configure address translation for XIP virtual addresses 0x800000 through 0xbfffff (a 4 MiB window starting at +8 MiB).

Address translation allows a program image to be executed in place at multiple physical flash addresses (for example, a double-buffered flash image for over-the-air updates), without the overhead of position-independent code.

At reset, the address translation registers are initialised to an identity mapping, so that they can be ignored if address translation is not required.

Note that the XIP cache is fully virtually addressed, so a cache flush is required after changing the address translation.

Table 1304. ATRANS2, ATRANS6 Registers

| Bits | Description | Type | Reset |
|-------|---|------|-------|
| 31:27 | Reserved. | - | - |
| 26:16 | SIZE: Translation aperture size for this virtual address range, in units of 4 kiB (one flash sector). Bits 21:12 of the virtual address are compared to SIZE. Offsets greater than SIZE return a bus error, and do not cause a QSPI access. | RW | 0x400 |
| 15:12 | Reserved. | - | - |

| Bits | Description | Type | Reset |
|------|--|------|-------|
| 11:0 | <p>BASE: Physical address base for this virtual address range, in units of 4 kiB (one flash sector).</p> <p>Taking a 24-bit virtual address, firstly bits 23:22 (the two MSBs) are masked to zero, and then BASE is added to bits 23:12 (the upper 12 bits) to form the physical address. Translation wraps on a 16 MiB boundary.</p> | RW | 0x800 |

QMI: ATRANS3, ATRANS7 Registers

Offsets: 0x40, 0x50

Description

Configure address translation for XIP virtual addresses 0xc00000 through 0xfffff (a 4 MiB window starting at +12 MiB).

Address translation allows a program image to be executed in place at multiple physical flash addresses (for example, a double-buffered flash image for over-the-air updates), without the overhead of position-independent code.

At reset, the address translation registers are initialised to an identity mapping, so that they can be ignored if address translation is not required.

Note that the XIP cache is fully virtually addressed, so a cache flush is required after changing the address translation.

Table 1305. ATRANS3, ATRANS7 Registers

| Bits | Description | Type | Reset |
|-------|--|------|-------|
| 31:27 | Reserved. | - | - |
| 26:16 | <p>SIZE: Translation aperture size for this virtual address range, in units of 4 kiB (one flash sector).</p> <p>Bits 21:12 of the virtual address are compared to SIZE. Offsets greater than SIZE return a bus error, and do not cause a QSPI access.</p> | RW | 0x400 |
| 15:12 | Reserved. | - | - |
| 11:0 | <p>BASE: Physical address base for this virtual address range, in units of 4 kiB (one flash sector).</p> <p>Taking a 24-bit virtual address, firstly bits 23:22 (the two MSBs) are masked to zero, and then BASE is added to bits 23:12 (the upper 12 bits) to form the physical address. Translation wraps on a 16 MiB boundary.</p> | RW | 0xc00 |

12.15. System Control Registers

These registers are not associated with any particular peripheral. They control, or provide information about, system-level hardware such as the bus fabric. This is also where chip identification information such as the JEDEC IDCODE is provided in a software-accessible manner.

12.15.1. SYSINFO

12.15.1.1. Overview

The sysinfo block contains system information. The first register contains the Chip ID, which allows the programmer to know which version of the chip software is running on. The second register indicates which package configuration is

used (QFN-60 or QFN-80). The third register will always read as 1.

12.15.1.2. List of registers

The sysinfo registers start at a base address of `0x40000000` (defined as `SYSINFO_BASE` in SDK).

Table 1306. List of SYSINFO registers

| Offset | Name | Info |
|--------|-------------------------------|--|
| 0x00 | CHIP_ID | JEDEC JEP-106 compliant chip identifier. |
| 0x04 | PACKAGE_SEL | Package selection indicator, 0 = QFN80, 1 = QFN60 |
| 0x08 | PLATFORM | Platform register. Allows software to know what environment it is running in during pre-production development. Post-production, the PLATFORM is always ASIC, non-SIM. |
| 0x14 | GITREF_RP2350 | Git hash of the chip source. Used to identify chip version. |

SYSINFO: CHIP_ID Register

Offset: 0x00

Description

JEDEC JEP-106 compliant chip identifier.

Table 1307. CHIP_ID Register

| Bits | Description | Type | Reset |
|-------|---------------------|------|-------|
| 31:28 | REVISION | RO | - |
| 27:12 | PART | RO | - |
| 11:1 | MANUFACTURER | RO | - |
| 0 | STOP_BIT | RO | 0x1 |

SYSINFO: PACKAGE_SEL Register

Offset: 0x04

Table 1308. PACKAGE_SEL Register

| Bits | Description | Type | Reset |
|------|---|------|-------|
| 31:1 | Reserved. | - | - |
| 0 | Package selection indicator, 0 = QFN80, 1 = QFN60 | RO | 0x0 |

SYSINFO: PLATFORM Register

Offset: 0x08

Description

Platform register. Allows software to know what environment it is running in during pre-production development. Post-production, the PLATFORM is always ASIC, non-SIM.

Table 1309. PLATFORM Register

| Bits | Description | Type | Reset |
|------|-----------------|------|-------|
| 31:5 | Reserved. | - | - |
| 4 | GATESIM | RO | - |
| 3 | BATCHSIM | RO | - |
| 2 | HDLSIM | RO | - |
| 1 | ASIC | RO | - |

| Bits | Description | Type | Reset |
|------|-------------|------|-------|
| 0 | FPGA | RO | - |

SYSINFO: GITREF_RP2350 Register

Offset: 0x14

Table 1310.
GITREF_RP2350
Register

| Bits | Description | Type | Reset |
|------|---|------|-------|
| 31:0 | Git hash of the chip source. Used to identify chip version. | RO | - |

12.15.2. SYSCFG

12.15.2.1. Overview

The system config block controls miscellaneous chip settings, including:

- Check debug halt status of both cores
- Processor GPIO input synchroniser control (set to **1** to allow input synchroniser bypassing to reduce latency for synchronous clocks)
- SWD interface control from inside the chip (allows one core to debug another, which may make debug connectivity easier)
- State-retaining memory power down (SRAM periphery can be powered down when not in use to save a small amount of power)
 - when powered down in this way, power is still applied to the SRAM storage array; use the Power Manager (Chapter 6) to completely remove power
- Additional controls found in the [AUXCTRL](#) register

12.15.2.2. Changes from RP2040

- Moved the NMI mask to per-core registers in the EPPB (Section 3.7.5.1). The new registers reset on a processor warm reset, which avoids issues with NMIs asserting during the bootrom early boot process.
- Expanded [MEMPOWERDOWN](#) to cover new memory banks
- Removed controls from [DBGFORCE](#) to account for the new single-DP debug topology

12.15.2.3. List of registers

The system config registers start at a base address of **0x40008000** (defined as [SYSCFG_BASE](#) in SDK).

Table 1311. List of
SYSCFG registers

| Offset | Name | Info |
|--------|-----------------------------|------------------------------|
| 0x00 | PROC_CONFIG | Configuration for processors |

| Offset | Name | Info |
|--------|--|--|
| 0x04 | PROC_IN_SYNC_BYPASS | For each bit, if 1, bypass the input synchronizer between that GPIO and the GPIO input register in the SIO. The input synchronizers should generally be unbypassed, to avoid injecting metastabilities into processors. If you're feeling brave, you can bypass to save two cycles of input latency. This register applies to GPIO 0...31. |
| 0x08 | PROC_IN_SYNC_BYPASS_HI | For each bit, if 1, bypass the input synchronizer between that GPIO and the GPIO input register in the SIO. The input synchronizers should generally be unbypassed, to avoid injecting metastabilities into processors. If you're feeling brave, you can bypass to save two cycles of input latency. This register applies to GPIO 32...47. USB GPIO 56..57 QSPI GPIO 58..63 |
| 0x0c | DBGFORCE | Directly control the chip SWD debug port |
| 0x10 | MEMPOWERDOWN | Control PD pins to memories. Set high to put memories to a low power state. In this state the memories will retain contents but not be accessible Use with caution |
| 0x14 | AUXCTRL | Auxiliary system control register |

SYSCFG: PROC_CONFIG Register

Offset: 0x00

Description

Configuration for processors

Table 1312.
PROC_CONFIG Register

| Bits | Description | Type | Reset |
|------|--|------|-------|
| 31:2 | Reserved. | - | - |
| 1 | PROC1_HALTED : Indication that proc1 has halted | RO | 0x0 |
| 0 | PROC0_HALTED : Indication that proc0 has halted | RO | 0x0 |

SYSCFG: PROC_IN_SYNC_BYPASS Register

Offset: 0x04

Description

For each bit, if 1, bypass the input synchronizer between that GPIO and the GPIO input register in the SIO. The input synchronizers should generally be unbypassed, to avoid injecting metastabilities into processors. If you're feeling brave, you can bypass to save two cycles of input latency. This register applies to GPIO 0...31.

Table 1313.
PROC_IN_SYNC_BYPASS Register

| Bits | Description | Type | Reset |
|------|-------------|------|------------|
| 31:0 | GPIO | RW | 0x00000000 |

SYSCFG: PROC_IN_SYNC_BYPASS_HI Register

Offset: 0x08

Description

For each bit, if 1, bypass the input synchronizer between that GPIO and the GPIO input register in the SIO. The input synchronizers should generally be unbypassed, to avoid injecting metastabilities into processors.

If you're feeling brave, you can bypass to save two cycles of input latency. This register applies to GPIO 32...47. USB GPIO 56..57 QSPI GPIO 58..63

Table 1314.
PROC_IN_SYNC_BYPASS_HI Register

| Bits | Description | Type | Reset |
|-------|-------------|------|--------|
| 31:28 | QSPI_SD | RW | 0x0 |
| 27 | QSPI_CSN | RW | 0x0 |
| 26 | QSPI_SCK | RW | 0x0 |
| 25 | USB_DM | RW | 0x0 |
| 24 | USB_DP | RW | 0x0 |
| 23:16 | Reserved. | - | - |
| 15:0 | GPIO | RW | 0x0000 |

SYSCFG: DBGFORCE Register

Offset: 0x0c

Description

Directly control the chip SWD debug port

Table 1315.
DBGFORCE Register

| Bits | Description | Type | Reset |
|------|--|------|-------|
| 31:4 | Reserved. | - | - |
| 3 | ATTACH : Attach chip debug port to syscfg controls, and disconnect it from external SWD pads. | RW | 0x0 |
| 2 | SWCLK : Directly drive SWCLK, if ATTACH is set | RW | 0x1 |
| 1 | SWDI : Directly drive SWDIO input, if ATTACH is set | RW | 0x1 |
| 0 | SWDO : Observe the value of SWDIO output. | RO | - |

SYSCFG: MEMPOWERDOWN Register

Offset: 0x10

Description

Control PD pins to memories.

Set high to put memories to a low power state. In this state the memories will retain contents but not be accessible. Use with caution

Table 1316.
MEMPOWERDOWN Register

| Bits | Description | Type | Reset |
|-------|----------------|------|-------|
| 31:13 | Reserved. | - | - |
| 12 | BOOTRAM | RW | 0x0 |

| Bits | Description | Type | Reset |
|------|-------------|------|-------|
| 11 | ROM | RW | 0x0 |
| 10 | USB | RW | 0x0 |
| 9 | SRAM9 | RW | 0x0 |
| 8 | SRAM8 | RW | 0x0 |
| 7 | SRAM7 | RW | 0x0 |
| 6 | SRAM6 | RW | 0x0 |
| 5 | SRAM5 | RW | 0x0 |
| 4 | SRAM4 | RW | 0x0 |
| 3 | SRAM3 | RW | 0x0 |
| 2 | SRAM2 | RW | 0x0 |
| 1 | SRAM1 | RW | 0x0 |
| 0 | SRAM0 | RW | 0x0 |

SYSCFG: AUXCTRL Register

Offset: 0x14

Description

Auxiliary system control register

Table 1317. AUXCTRL Register

| Bits | Description | Type | Reset |
|------|---|------|-------|
| 31:8 | Reserved. | - | - |
| 7:0 | <p>* Bits 7:3: Reserved</p> <p>* Bit 2: Set to mask OTP power analogue power supply detection from resetting OTP controller and PSM</p> <p>* Bit 1: When clear, the LPOSC output is XORed into the TRNG ROOSC output as an additional, uncorrelated entropy source. When set, this behaviour is disabled.</p> <p>* Bit 0: Force POWMAN clock to switch to LPOSC, by asserting its WDRESET input. This must be set before initiating a watchdog reset of the RSM from a stage that includes CLOCKS, if POWMAN is running from clk_ref at the point that the watchdog reset takes place. Otherwise, the short pulse generated on clk_ref by the reset of the CLOCKS block may affect POWMAN register state.</p> | RW | 0x00 |

12.15.3. TBMAN

TBMAN refers to the testbench manager, used during chip development simulations to verify the design. During these simulations TBMAN allows software running on RP2350 to control the testbench and simulation environment. On the real chip, it has no effect other than providing a single PLATFORM register that indicates that this is the real chip. This PLATFORM functionality is duplicated in the sysinfo (Section 12.15.1) registers.

12.15.3.1. List of registers

The TBMAN registers start at a base address of `0x40160000` (defined as `TBMAN_BASE` in SDK).

Table 1318. List of TBMAN registers

| Offset | Name | Info |
|--------|----------|---------------------------------------|
| 0x0 | PLATFORM | Indicates the type of platform in use |

TBMAN: PLATFORM Register

Offset: 0x0

Description

Indicates the type of platform in use

Table 1319. PLATFORM Register

| Bits | Description | Type | Reset |
|------|---|------|-------|
| 31:3 | Reserved. | - | - |
| 2 | HDLSIM: Indicates the platform is a simulation | RO | 0x0 |
| 1 | FPGA: Indicates the platform is an FPGA | RO | 0x0 |
| 0 | ASIC: Indicates the platform is an ASIC | RO | 0x1 |

12.15.4. BUSCTRL

This block provides basic controls and monitoring for the system bus fabric.

12.15.4.1. Bus priority

RP2350 implements a dynamic bus priority scheme described in [Section 2.1.1](#). The `BUS_PRIORITY` register implements the priority controls for this scheme.

12.15.4.2. Performance counters

There are four 24-bit counters, each of which can subscribe to a single performance event from the system bus fabric. Counters saturate at a value of all-ones: the counter stops incrementing when it reaches its maximum value, rather than wrapping to zero.

The performance counters are initially disabled: you must write `1` to `PERFCTR_EN` before the counters begin to increment. Write any value to a counter to clear the counter to zero in before running a profiled section of code, and enable the counters immediately before entering the profiled section. Disable the counters again immediately upon leaving the profiled section. The counters do not support arbitrary writes: they only count up from zero.

Write to a performance event selector register `PERFSEL0` through `PERFSEL3` to select the performance event which increments the corresponding counter, `PERFCTR0` through `PERFCTR3`.

For each of the seventeen downstream bus ports on the main system AHB5 crossbar shown in [Figure 5](#), there are four types of event which the performance counters detect. These events do not distinguish reads from writes, but they do distinguish different types of bus stall, which can be helpful when diagnosing performance issues. The types of event are:

Access

Increment when any access completes on this downstream port.

Contested access

Increment when any access completes on this downstream port which previously stalled due to the port being

occupied by another access. For example, if two managers access an initially idle port simultaneously, one will complete before the other. The access that completes first is said to not be contested, and does not increment this counter. The access that completes second (which was initially deferred due to the access from the other manager) is contested, and increments this counter when it completes.

Upstream-stalled cycle

Increment once per cycle while any manager experiences a stall on this port. This may be either due to arbitration with another manager (a contested access) or due to a stall on the downstream bus port, such as access to a slow peripheral. This is measured *at the port*, before leaving the main AHB5 crossbar.

Downstream-stalled cycle

Increment once per cycle while this port itself experiences a stall on the downstream bus. This indicates the peripheral or memory device itself being slow to respond, such as an XIP cache miss.

The first two event types listed above are the same as RP2040. The latter two are new for RP2350.

12.15.4.3. List of registers

The Bus Fabric registers start at a base address of `0x40068000` (defined as `BUSCTRL_BASE` in SDK).

Table 1320. List of BUSCTRL registers

| Offset | Name | Info |
|--------|----------------------------------|--|
| 0x00 | BUS_PRIORITY | Set the priority of each master for bus arbitration. |
| 0x04 | BUS_PRIORITY_ACK | Bus priority acknowledge |
| 0x08 | PERFCTR_EN | Enable the performance counters. If 0, the performance counters do not increment. This can be used to precisely start/stop event sampling around the profiled section of code. The performance counters are initially disabled, to save energy. |
| 0x0c | PERFCTR0 | Bus fabric performance counter 0 |
| 0x10 | PERFSEL0 | Bus fabric performance event select for PERFCTR0 |
| 0x14 | PERFCTR1 | Bus fabric performance counter 1 |
| 0x18 | PERFSEL1 | Bus fabric performance event select for PERFCTR1 |
| 0x1c | PERFCTR2 | Bus fabric performance counter 2 |
| 0x20 | PERFSEL2 | Bus fabric performance event select for PERFCTR2 |
| 0x24 | PERFCTR3 | Bus fabric performance counter 3 |
| 0x28 | PERFSEL3 | Bus fabric performance event select for PERFCTR3 |

BUSCTRL: BUS_PRIORITY Register

Offset: 0x00

Description

Set the priority of each master for bus arbitration.

Table 1321. BUS_PRIORITY Register

| Bits | Description | Type | Reset |
|-------|---|------|-------|
| 31:13 | Reserved. | - | - |
| 12 | DMA_W: 0 - low priority, 1 - high priority | RW | 0x0 |
| 11:9 | Reserved. | - | - |
| 8 | DMA_R: 0 - low priority, 1 - high priority | RW | 0x0 |

| Bits | Description | Type | Reset |
|------|--|------|-------|
| 7:5 | Reserved. | - | - |
| 4 | PROC1 : 0 - low priority, 1 - high priority | RW | 0x0 |
| 3:1 | Reserved. | - | - |
| 0 | PROC0 : 0 - low priority, 1 - high priority | RW | 0x0 |

BUSCTRL: BUS_PRIORITY_ACK Register

Offset: 0x04

Description

Bus priority acknowledge

Table 1322.
BUS_PRIORITY_ACK Register

| Bits | Description | Type | Reset |
|------|--|------|-------|
| 31:1 | Reserved. | - | - |
| 0 | Goes to 1 once all arbiters have registered the new global priority levels. Arbiters update their local priority when servicing a new nonsequential access. In normal circumstances this will happen almost immediately. | RO | 0x0 |

BUSCTRL: PERFCTR_EN Register

Offset: 0x08

Table 1323.
PERFCTR_EN Register

| Bits | Description | Type | Reset |
|------|--|------|-------|
| 31:1 | Reserved. | - | - |
| 0 | Enable the performance counters. If 0, the performance counters do not increment. This can be used to precisely start/stop event sampling around the profiled section of code. The performance counters are initially disabled, to save energy. | RW | 0x0 |

BUSCTRL: PERFCTR0 Register

Offset: 0x0c

Description

Bus fabric performance counter 0

Table 1324.
PERFCTR0 Register

| Bits | Description | Type | Reset |
|-------|--|------|----------|
| 31:24 | Reserved. | - | - |
| 23:0 | Busfabric saturating performance counter 0 Count some event signal from the busfabric arbiters, if PERFCTR_EN is set. Write any value to clear. Select an event to count using PERFSELO | WC | 0x000000 |

BUSCTRL: PERFSELO Register

Offset: 0x10

Description

Bus fabric performance event select for PERFCTR0

Table 1325. PERFSELO Register

| Bits | Description | Type | Reset |
|------|---|------|-------|
| 31:7 | Reserved. | - | - |
| 6:0 | Select an event for PERFCTR0. For each downstream port of the main crossbar, four events are available: ACCESS, an access took place; ACCESS_CONTESTED, an access took place that previously stalled due to contention from other masters; STALL_DOWNSTREAM, count cycles where any master stalled due to a stall on the downstream bus; STALL_UPSTREAM, count cycles where any master stalled for any reason, including contention from other masters. | RW | 0x1f |
| | Enumerated values: | | |
| | 0x00 → SIOB_PROC1_STALL_UPSTREAM | | |
| | 0x01 → SIOB_PROC1_STALL_DOWNSTREAM | | |
| | 0x02 → SIOB_PROC1_ACCESS_CONTESTED | | |
| | 0x03 → SIOB_PROC1_ACCESS | | |
| | 0x04 → SIOB_PROC0_STALL_UPSTREAM | | |
| | 0x05 → SIOB_PROC0_STALL_DOWNSTREAM | | |
| | 0x06 → SIOB_PROC0_ACCESS_CONTESTED | | |
| | 0x07 → SIOB_PROC0_ACCESS | | |
| | 0x08 → APB_STALL_UPSTREAM | | |
| | 0x09 → APB_STALL_DOWNSTREAM | | |
| | 0x0a → APB_ACCESS_CONTESTED | | |
| | 0x0b → APB_ACCESS | | |
| | 0x0c → FASTPERI_STALL_UPSTREAM | | |
| | 0x0d → FASTPERI_STALL_DOWNSTREAM | | |
| | 0x0e → FASTPERI_ACCESS_CONTESTED | | |
| | 0x0f → FASTPERI_ACCESS | | |
| | 0x10 → SRAM9_STALL_UPSTREAM | | |
| | 0x11 → SRAM9_STALL_DOWNSTREAM | | |
| | 0x12 → SRAM9_ACCESS_CONTESTED | | |
| | 0x13 → SRAM9_ACCESS | | |
| | 0x14 → SRAM8_STALL_UPSTREAM | | |
| | 0x15 → SRAM8_STALL_DOWNSTREAM | | |
| | 0x16 → SRAM8_ACCESS_CONTESTED | | |
| | 0x17 → SRAM8_ACCESS | | |
| | 0x18 → SRAM7_STALL_UPSTREAM | | |
| | 0x19 → SRAM7_STALL_DOWNSTREAM | | |
| | 0x1a → SRAM7_ACCESS_CONTESTED | | |
| | 0x1b → SRAM7_ACCESS | | |
| | 0x1c → SRAM6_STALL_UPSTREAM | | |

| Bits | Description | Type | Reset |
|------|-----------------------------------|------|-------|
| | 0x1d → SRAM6_STALL_DOWNSTREAM | | |
| | 0x1e → SRAM6_ACCESS_CONTESTED | | |
| | 0x1f → SRAM6_ACCESS | | |
| | 0x20 → SRAM5_STALL_UPSTREAM | | |
| | 0x21 → SRAM5_STALL_DOWNSTREAM | | |
| | 0x22 → SRAM5_ACCESS_CONTESTED | | |
| | 0x23 → SRAM5_ACCESS | | |
| | 0x24 → SRAM4_STALL_UPSTREAM | | |
| | 0x25 → SRAM4_STALL_DOWNSTREAM | | |
| | 0x26 → SRAM4_ACCESS_CONTESTED | | |
| | 0x27 → SRAM4_ACCESS | | |
| | 0x28 → SRAM3_STALL_UPSTREAM | | |
| | 0x29 → SRAM3_STALL_DOWNSTREAM | | |
| | 0x2a → SRAM3_ACCESS_CONTESTED | | |
| | 0x2b → SRAM3_ACCESS | | |
| | 0x2c → SRAM2_STALL_UPSTREAM | | |
| | 0x2d → SRAM2_STALL_DOWNSTREAM | | |
| | 0x2e → SRAM2_ACCESS_CONTESTED | | |
| | 0x2f → SRAM2_ACCESS | | |
| | 0x30 → SRAM1_STALL_UPSTREAM | | |
| | 0x31 → SRAM1_STALL_DOWNSTREAM | | |
| | 0x32 → SRAM1_ACCESS_CONTESTED | | |
| | 0x33 → SRAM1_ACCESS | | |
| | 0x34 → SRAM0_STALL_UPSTREAM | | |
| | 0x35 → SRAM0_STALL_DOWNSTREAM | | |
| | 0x36 → SRAM0_ACCESS_CONTESTED | | |
| | 0x37 → SRAM0_ACCESS | | |
| | 0x38 → XIP_MAIN1_STALL_UPSTREAM | | |
| | 0x39 → XIP_MAIN1_STALL_DOWNSTREAM | | |
| | 0x3a → XIP_MAIN1_ACCESS_CONTESTED | | |
| | 0x3b → XIP_MAIN1_ACCESS | | |
| | 0x3c → XIP_MAIN0_STALL_UPSTREAM | | |
| | 0x3d → XIP_MAIN0_STALL_DOWNSTREAM | | |
| | 0x3e → XIP_MAIN0_ACCESS_CONTESTED | | |
| | 0x3f → XIP_MAIN0_ACCESS | | |
| | 0x40 → ROM_STALL_UPSTREAM | | |

| Bits | Description | Type | Reset |
|------|-----------------------------|------|-------|
| | 0x41 → ROM_STALL_DOWNSTREAM | | |
| | 0x42 → ROM_ACCESS_CONTESTED | | |
| | 0x43 → ROM_ACCESS | | |

BUSCTRL: PERFCTR1 Register

Offset: 0x14

Description

Bus fabric performance counter 1

Table 1326. PERFCTR1 Register

| Bits | Description | Type | Reset |
|-------|---|------|----------|
| 31:24 | Reserved. | - | - |
| 23:0 | Busfabric saturating performance counter 1 Count some event signal from the busfabric arbiters, if PERFCTR_EN is set. Write any value to clear. Select an event to count using PERFSEL1 | WC | 0x000000 |

BUSCTRL: PERFSEL1 Register

Offset: 0x18

Description

Bus fabric performance event select for PERFCTR1

Table 1327. PERFSEL1 Register

| Bits | Description | Type | Reset |
|------|---|------|-------|
| 31:7 | Reserved. | - | - |
| 6:0 | Select an event for PERFCTR1. For each downstream port of the main crossbar, four events are available: ACCESS, an access took place; ACCESS_CONTESTED, an access took place that previously stalled due to contention from other masters; STALL_DOWNSTREAM, count cycles where any master stalled due to a stall on the downstream bus; STALL_UPSTREAM, count cycles where any master stalled for any reason, including contention from other masters. | RW | 0x1f |
| | Enumerated values: | | |
| | 0x00 → SIOB_PROC1_STALL_UPSTREAM | | |
| | 0x01 → SIOB_PROC1_STALL_DOWNSTREAM | | |
| | 0x02 → SIOB_PROC1_ACCESS_CONTESTED | | |
| | 0x03 → SIOB_PROC1_ACCESS | | |
| | 0x04 → SIOB_PROC0_STALL_UPSTREAM | | |
| | 0x05 → SIOB_PROC0_STALL_DOWNSTREAM | | |
| | 0x06 → SIOB_PROC0_ACCESS_CONTESTED | | |
| | 0x07 → SIOB_PROC0_ACCESS | | |
| | 0x08 → APB_STALL_UPSTREAM | | |
| | 0x09 → APB_STALL_DOWNSTREAM | | |
| | 0x0a → APB_ACCESS_CONTESTED | | |

| Bits | Description | Type | Reset |
|------|----------------------------------|------|-------|
| | 0x0b → APB_ACCESS | | |
| | 0x0c → FASTPERI_STALL_UPSTREAM | | |
| | 0x0d → FASTPERI_STALL_DOWNSTREAM | | |
| | 0x0e → FASTPERI_ACCESS_CONTESTED | | |
| | 0x0f → FASTPERI_ACCESS | | |
| | 0x10 → SRAM9_STALL_UPSTREAM | | |
| | 0x11 → SRAM9_STALL_DOWNSTREAM | | |
| | 0x12 → SRAM9_ACCESS_CONTESTED | | |
| | 0x13 → SRAM9_ACCESS | | |
| | 0x14 → SRAM8_STALL_UPSTREAM | | |
| | 0x15 → SRAM8_STALL_DOWNSTREAM | | |
| | 0x16 → SRAM8_ACCESS_CONTESTED | | |
| | 0x17 → SRAM8_ACCESS | | |
| | 0x18 → SRAM7_STALL_UPSTREAM | | |
| | 0x19 → SRAM7_STALL_DOWNSTREAM | | |
| | 0x1a → SRAM7_ACCESS_CONTESTED | | |
| | 0x1b → SRAM7_ACCESS | | |
| | 0x1c → SRAM6_STALL_UPSTREAM | | |
| | 0x1d → SRAM6_STALL_DOWNSTREAM | | |
| | 0x1e → SRAM6_ACCESS_CONTESTED | | |
| | 0x1f → SRAM6_ACCESS | | |
| | 0x20 → SRAM5_STALL_UPSTREAM | | |
| | 0x21 → SRAM5_STALL_DOWNSTREAM | | |
| | 0x22 → SRAM5_ACCESS_CONTESTED | | |
| | 0x23 → SRAM5_ACCESS | | |
| | 0x24 → SRAM4_STALL_UPSTREAM | | |
| | 0x25 → SRAM4_STALL_DOWNSTREAM | | |
| | 0x26 → SRAM4_ACCESS_CONTESTED | | |
| | 0x27 → SRAM4_ACCESS | | |
| | 0x28 → SRAM3_STALL_UPSTREAM | | |
| | 0x29 → SRAM3_STALL_DOWNSTREAM | | |
| | 0x2a → SRAM3_ACCESS_CONTESTED | | |
| | 0x2b → SRAM3_ACCESS | | |
| | 0x2c → SRAM2_STALL_UPSTREAM | | |
| | 0x2d → SRAM2_STALL_DOWNSTREAM | | |
| | 0x2e → SRAM2_ACCESS_CONTESTED | | |

| Bits | Description | Type | Reset |
|------|-----------------------------------|------|-------|
| | 0x2f → SRAM2_ACCESS | | |
| | 0x30 → SRAM1_STALL_UPSTREAM | | |
| | 0x31 → SRAM1_STALL_DOWNSTREAM | | |
| | 0x32 → SRAM1_ACCESS_CONTESTED | | |
| | 0x33 → SRAM1_ACCESS | | |
| | 0x34 → SRAM0_STALL_UPSTREAM | | |
| | 0x35 → SRAM0_STALL_DOWNSTREAM | | |
| | 0x36 → SRAM0_ACCESS_CONTESTED | | |
| | 0x37 → SRAM0_ACCESS | | |
| | 0x38 → XIP_MAIN1_STALL_UPSTREAM | | |
| | 0x39 → XIP_MAIN1_STALL_DOWNSTREAM | | |
| | 0x3a → XIP_MAIN1_ACCESS_CONTESTED | | |
| | 0x3b → XIP_MAIN1_ACCESS | | |
| | 0x3c → XIP_MAIN0_STALL_UPSTREAM | | |
| | 0x3d → XIP_MAIN0_STALL_DOWNSTREAM | | |
| | 0x3e → XIP_MAIN0_ACCESS_CONTESTED | | |
| | 0x3f → XIP_MAIN0_ACCESS | | |
| | 0x40 → ROM_STALL_UPSTREAM | | |
| | 0x41 → ROM_STALL_DOWNSTREAM | | |
| | 0x42 → ROM_ACCESS_CONTESTED | | |
| | 0x43 → ROM_ACCESS | | |

BUSCTRL: PERFCTR2 Register

Offset: 0x1c

Description

Bus fabric performance counter 2

Table 1328.
PERFCTR2 Register

| Bits | Description | Type | Reset |
|-------|---|------|----------|
| 31:24 | Reserved. | - | - |
| 23:0 | Busfabric saturating performance counter 2 Count some event signal from the busfabric arbiters, if PERFCTR_EN is set. Write any value to clear. Select an event to count using PERFSEL2 | WC | 0x000000 |

BUSCTRL: PERFSEL2 Register

Offset: 0x20

Description

Bus fabric performance event select for PERFCTR2

Table 1329. PERFSEL2 Register

| Bits | Description | Type | Reset |
|------|---|------|-------|
| 31:7 | Reserved. | - | - |
| 6:0 | Select an event for PERFCTR2. For each downstream port of the main crossbar, four events are available: ACCESS, an access took place; ACCESS_CONTESTED, an access took place that previously stalled due to contention from other masters; STALL_DOWNSTREAM, count cycles where any master stalled due to a stall on the downstream bus; STALL_UPSTREAM, count cycles where any master stalled for any reason, including contention from other masters. | RW | 0x1f |
| | Enumerated values: | | |
| | 0x00 → SIOB_PROC1_STALL_UPSTREAM | | |
| | 0x01 → SIOB_PROC1_STALL_DOWNSTREAM | | |
| | 0x02 → SIOB_PROC1_ACCESS_CONTESTED | | |
| | 0x03 → SIOB_PROC1_ACCESS | | |
| | 0x04 → SIOB_PROC0_STALL_UPSTREAM | | |
| | 0x05 → SIOB_PROC0_STALL_DOWNSTREAM | | |
| | 0x06 → SIOB_PROC0_ACCESS_CONTESTED | | |
| | 0x07 → SIOB_PROC0_ACCESS | | |
| | 0x08 → APB_STALL_UPSTREAM | | |
| | 0x09 → APB_STALL_DOWNSTREAM | | |
| | 0x0a → APB_ACCESS_CONTESTED | | |
| | 0x0b → APB_ACCESS | | |
| | 0x0c → FASTPERI_STALL_UPSTREAM | | |
| | 0x0d → FASTPERI_STALL_DOWNSTREAM | | |
| | 0x0e → FASTPERI_ACCESS_CONTESTED | | |
| | 0x0f → FASTPERI_ACCESS | | |
| | 0x10 → SRAM9_STALL_UPSTREAM | | |
| | 0x11 → SRAM9_STALL_DOWNSTREAM | | |
| | 0x12 → SRAM9_ACCESS_CONTESTED | | |
| | 0x13 → SRAM9_ACCESS | | |
| | 0x14 → SRAM8_STALL_UPSTREAM | | |
| | 0x15 → SRAM8_STALL_DOWNSTREAM | | |
| | 0x16 → SRAM8_ACCESS_CONTESTED | | |
| | 0x17 → SRAM8_ACCESS | | |
| | 0x18 → SRAM7_STALL_UPSTREAM | | |
| | 0x19 → SRAM7_STALL_DOWNSTREAM | | |
| | 0x1a → SRAM7_ACCESS_CONTESTED | | |
| | 0x1b → SRAM7_ACCESS | | |
| | 0x1c → SRAM6_STALL_UPSTREAM | | |

| Bits | Description | Type | Reset |
|------|-----------------------------------|------|-------|
| | 0x1d → SRAM6_STALL_DOWNSTREAM | | |
| | 0x1e → SRAM6_ACCESS_CONTESTED | | |
| | 0x1f → SRAM6_ACCESS | | |
| | 0x20 → SRAM5_STALL_UPSTREAM | | |
| | 0x21 → SRAM5_STALL_DOWNSTREAM | | |
| | 0x22 → SRAM5_ACCESS_CONTESTED | | |
| | 0x23 → SRAM5_ACCESS | | |
| | 0x24 → SRAM4_STALL_UPSTREAM | | |
| | 0x25 → SRAM4_STALL_DOWNSTREAM | | |
| | 0x26 → SRAM4_ACCESS_CONTESTED | | |
| | 0x27 → SRAM4_ACCESS | | |
| | 0x28 → SRAM3_STALL_UPSTREAM | | |
| | 0x29 → SRAM3_STALL_DOWNSTREAM | | |
| | 0x2a → SRAM3_ACCESS_CONTESTED | | |
| | 0x2b → SRAM3_ACCESS | | |
| | 0x2c → SRAM2_STALL_UPSTREAM | | |
| | 0x2d → SRAM2_STALL_DOWNSTREAM | | |
| | 0x2e → SRAM2_ACCESS_CONTESTED | | |
| | 0x2f → SRAM2_ACCESS | | |
| | 0x30 → SRAM1_STALL_UPSTREAM | | |
| | 0x31 → SRAM1_STALL_DOWNSTREAM | | |
| | 0x32 → SRAM1_ACCESS_CONTESTED | | |
| | 0x33 → SRAM1_ACCESS | | |
| | 0x34 → SRAM0_STALL_UPSTREAM | | |
| | 0x35 → SRAM0_STALL_DOWNSTREAM | | |
| | 0x36 → SRAM0_ACCESS_CONTESTED | | |
| | 0x37 → SRAM0_ACCESS | | |
| | 0x38 → XIP_MAIN1_STALL_UPSTREAM | | |
| | 0x39 → XIP_MAIN1_STALL_DOWNSTREAM | | |
| | 0x3a → XIP_MAIN1_ACCESS_CONTESTED | | |
| | 0x3b → XIP_MAIN1_ACCESS | | |
| | 0x3c → XIP_MAIN0_STALL_UPSTREAM | | |
| | 0x3d → XIP_MAIN0_STALL_DOWNSTREAM | | |
| | 0x3e → XIP_MAIN0_ACCESS_CONTESTED | | |
| | 0x3f → XIP_MAIN0_ACCESS | | |
| | 0x40 → ROM_STALL_UPSTREAM | | |

| Bits | Description | Type | Reset |
|------|-----------------------------|------|-------|
| | 0x41 → ROM_STALL_DOWNSTREAM | | |
| | 0x42 → ROM_ACCESS_CONTESTED | | |
| | 0x43 → ROM_ACCESS | | |

BUSCTRL: PERFCTR3 Register

Offset: 0x24

Description

Bus fabric performance counter 3

Table 1330.
PERFCTR3 Register

| Bits | Description | Type | Reset |
|-------|---|------|----------|
| 31:24 | Reserved. | - | - |
| 23:0 | Busfabric saturating performance counter 3 Count some event signal from the busfabric arbiters, if PERFCTR_EN is set. Write any value to clear. Select an event to count using PERFSEL3 | WC | 0x000000 |

BUSCTRL: PERFSEL3 Register

Offset: 0x28

Description

Bus fabric performance event select for PERFCTR3

Table 1331. PERFSEL3 Register

| Bits | Description | Type | Reset |
|------|---|------|-------|
| 31:7 | Reserved. | - | - |
| 6:0 | Select an event for PERFCTR3. For each downstream port of the main crossbar, four events are available: ACCESS, an access took place; ACCESS_CONTESTED, an access took place that previously stalled due to contention from other masters; STALL_DOWNSTREAM, count cycles where any master stalled due to a stall on the downstream bus; STALL_UPSTREAM, count cycles where any master stalled for any reason, including contention from other masters. | RW | 0x1f |
| | Enumerated values: | | |
| | 0x00 → SIOB_PROC1_STALL_UPSTREAM | | |
| | 0x01 → SIOB_PROC1_STALL_DOWNSTREAM | | |
| | 0x02 → SIOB_PROC1_ACCESS_CONTESTED | | |
| | 0x03 → SIOB_PROC1_ACCESS | | |
| | 0x04 → SIOB_PROC0_STALL_UPSTREAM | | |
| | 0x05 → SIOB_PROC0_STALL_DOWNSTREAM | | |
| | 0x06 → SIOB_PROC0_ACCESS_CONTESTED | | |
| | 0x07 → SIOB_PROC0_ACCESS | | |
| | 0x08 → APB_STALL_UPSTREAM | | |
| | 0x09 → APB_STALL_DOWNSTREAM | | |
| | 0x0a → APB_ACCESS_CONTESTED | | |

| Bits | Description | Type | Reset |
|------|----------------------------------|------|-------|
| | 0x0b → APB_ACCESS | | |
| | 0x0c → FASTPERI_STALL_UPSTREAM | | |
| | 0x0d → FASTPERI_STALL_DOWNSTREAM | | |
| | 0x0e → FASTPERI_ACCESS_CONTESTED | | |
| | 0x0f → FASTPERI_ACCESS | | |
| | 0x10 → SRAM9_STALL_UPSTREAM | | |
| | 0x11 → SRAM9_STALL_DOWNSTREAM | | |
| | 0x12 → SRAM9_ACCESS_CONTESTED | | |
| | 0x13 → SRAM9_ACCESS | | |
| | 0x14 → SRAM8_STALL_UPSTREAM | | |
| | 0x15 → SRAM8_STALL_DOWNSTREAM | | |
| | 0x16 → SRAM8_ACCESS_CONTESTED | | |
| | 0x17 → SRAM8_ACCESS | | |
| | 0x18 → SRAM7_STALL_UPSTREAM | | |
| | 0x19 → SRAM7_STALL_DOWNSTREAM | | |
| | 0x1a → SRAM7_ACCESS_CONTESTED | | |
| | 0x1b → SRAM7_ACCESS | | |
| | 0x1c → SRAM6_STALL_UPSTREAM | | |
| | 0x1d → SRAM6_STALL_DOWNSTREAM | | |
| | 0x1e → SRAM6_ACCESS_CONTESTED | | |
| | 0x1f → SRAM6_ACCESS | | |
| | 0x20 → SRAM5_STALL_UPSTREAM | | |
| | 0x21 → SRAM5_STALL_DOWNSTREAM | | |
| | 0x22 → SRAM5_ACCESS_CONTESTED | | |
| | 0x23 → SRAM5_ACCESS | | |
| | 0x24 → SRAM4_STALL_UPSTREAM | | |
| | 0x25 → SRAM4_STALL_DOWNSTREAM | | |
| | 0x26 → SRAM4_ACCESS_CONTESTED | | |
| | 0x27 → SRAM4_ACCESS | | |
| | 0x28 → SRAM3_STALL_UPSTREAM | | |
| | 0x29 → SRAM3_STALL_DOWNSTREAM | | |
| | 0x2a → SRAM3_ACCESS_CONTESTED | | |
| | 0x2b → SRAM3_ACCESS | | |
| | 0x2c → SRAM2_STALL_UPSTREAM | | |
| | 0x2d → SRAM2_STALL_DOWNSTREAM | | |
| | 0x2e → SRAM2_ACCESS_CONTESTED | | |

| Bits | Description | Type | Reset |
|------|-----------------------------------|------|-------|
| | 0x2f → SRAM2_ACCESS | | |
| | 0x30 → SRAM1_STALL_UPSTREAM | | |
| | 0x31 → SRAM1_STALL_DOWNSTREAM | | |
| | 0x32 → SRAM1_ACCESS_CONTESTED | | |
| | 0x33 → SRAM1_ACCESS | | |
| | 0x34 → SRAM0_STALL_UPSTREAM | | |
| | 0x35 → SRAM0_STALL_DOWNSTREAM | | |
| | 0x36 → SRAM0_ACCESS_CONTESTED | | |
| | 0x37 → SRAM0_ACCESS | | |
| | 0x38 → XIP_MAIN1_STALL_UPSTREAM | | |
| | 0x39 → XIP_MAIN1_STALL_DOWNSTREAM | | |
| | 0x3a → XIP_MAIN1_ACCESS_CONTESTED | | |
| | 0x3b → XIP_MAIN1_ACCESS | | |
| | 0x3c → XIP_MAIN0_STALL_UPSTREAM | | |
| | 0x3d → XIP_MAIN0_STALL_DOWNSTREAM | | |
| | 0x3e → XIP_MAIN0_ACCESS_CONTESTED | | |
| | 0x3f → XIP_MAIN0_ACCESS | | |
| | 0x40 → ROM_STALL_UPSTREAM | | |
| | 0x41 → ROM_STALL_DOWNSTREAM | | |
| | 0x42 → ROM_ACCESS_CONTESTED | | |
| | 0x43 → ROM_ACCESS | | |

Chapter 13. OTP

RP2350 provides 8 kB of one-time programmable storage (OTP), which holds:

- Preprogrammed per-device information, such as unique device identifier and oscillator trim values
- Security configuration such as debug disable and secure boot enable
- Public key fingerprints for secure boot
- Symmetric keys for decryption of flash contents into SRAM
- Configuration for the USB bootloader, such as customising VID/PID and descriptors
- Bootable software images, for low-cost flashless applications or custom bootloaders
- Any other user-defined data, such as per-device personalisation values

For the full listing of predefined OTP contents, see [Section 13.10](#).

OTP is physically an array of 4096 rows of 24 bits each. You can directly access these 24-bit values, but there is also hardware support for storing 16 bits of data in each row, with 6 bits of Hamming ECC protection and 2 bits of bit polarity reversal protection, yielding an ECC data capacity of 8192 bytes.

On a blank device, the OTP contents is all zeroes, except for some basic device information pre-programmed during manufacturing test. Each bit can be *irreversibly* programmed from zero to one. To program the OTP contents:

- Directly access the registers using the SBPI bridge
- Call the bootrom `otp_access` API ([Section 5.4.8.21](#))
- Use the PICOB00T interface of the USB bootloader ([Section 5.6](#))

RP2350 enforces page-based permissions on OTP to partition Secure from Non-secure data and to ensure that contents that should not change *do not* change. The OTP address space is logically partitioned into 64 pages, each 64 rows in size, for a total of 128 bytes of ECC data per page. Pages initially have full read-write permissions, but can be restricted to read-only or inaccessible for each of Secure, Non-secure and bootloader access.

The page permissions themselves are stored in OTP. Locking pages in this way is an irreversible operation, referred to as *hard locking*. The hardware also supports *soft locking*, where a page's permissions are further restricted by writing to the relevant register in `SW_LOCK0` through `SW_LOCK63`; this restriction remains in effect until the next OTP reset. Resetting the OTP block also resets the processors, so soft locking can be used to restrict the availability of sensitive content like decryption keys to early boot stages.

OTP access keys ([Section 13.5.2](#)) provide an additional layer of protection. A fixed challenge is written to a write-only OTP area. Pages registered to that key require the key to be entered to a write-only register in order to open read or write access. This supports configuration data that can be accessed or edited by the board manufacturer, but not by general firmware running on the device.

13.1. OTP address map

The OTP hardware resides in a 128 kB region starting at `0x40120000` (OTP_BASE in the SDK). Bit 16 of the address is used to select either the OTP control registers, in the lower 64 kB, or one of the OTP read data aliases, in the upper 64 kB of this space.

The OTP control registers ([Section 13.9](#)) are aliased at 4 kB intervals to implement the usual set, clear, and XOR atomic write aliases described in [Section 2.1.3](#).

The read data region starting at `0x40130000` divides further into four aliases:

- `0x40130000`, `OTP_DATA_BASE`: ECC read alias. A 32-bit read returns the ECC-corrected data for two neighbouring rows, or all-ones on permission failure. Only the first 8 kB is populated.

- `0x40138000`, `OTP_DATA_GUARDED_BASE`: ECC guarded read alias. Successful reads return the same data as `OTP_DATA_BASE`. Only the first 8 kB is populated.
- `0x40134000`, `OTP_DATA_RAW_BASE`: raw read alias. A 32-bit read directly returns the 24-bit contents of a single row, with zeroes in the eight MSBs, or returns all-ones on permission failure.
- `0x4013c000`, `OTP_DATA_RAW_GUARDED_BASE`: raw, guarded read alias. Successful reads return the same data as `OTP_DATA_RAW_BASE`.

Bit 14 of the address selects ECC (0) vs raw (1). Bit 15 of the address selects unguarded (0) vs guarded (1) access. Guarded reads return the same data as unguarded reads, but perform additional hardware consistency checks and return bus faults on permission failure. For more information, see [Section 13.1.1](#).

! IMPORTANT

The read data regions starting at `0x40130000` are accessible only when `USR.DCTRL` is set, otherwise all reads return a bus error response. This bit is clear when the OTP is being programmed via the SBPI bridge.

Writing to the read data aliases is not a valid operation, and will always return a bus fault. The OTP is programmed by the SBPI bridge, which is used internally by the bootrom `otp_access` API, [Section 5.4.8.21](#).

13.1.1. Guarded reads

Reads through the guarded aliases differ from unguarded reads in the following ways:

- Permission failures return bus faults rather than a bit pattern of all-ones.
- Uncorrectable ECC errors return a bus fault if detected.
- Guarded reads perform an additional hardware consistency check to detect power transients. If this check fails, the read returns a bus fault.

These checks help to make the OTP fail-safe in contexts where deliberate fault injection is a possibility. For example, the RP2350 bootrom uses guarded reads to check boot configuration flags.

The data returned from a successful guarded read is the same as the data returned by a successful read from the corresponding unguarded alias.

! IMPORTANT

Users relying on OTP data in a Secure context should always perform guarded reads, and it is strongly recommended to use ECC. For rows where ECC is not possible, software should take care to ensure the consistency of data across multiple overlapping reads.

13.2. Background: OTP IP details

The RP2350 OTP subsystem uses the Synopsys NVM OTP IP, which comes in 3 parts:

- Integrated Power Supply (IPS), including:
 - Charge Pump (for programming)
 - Regulator (for reading)
- OTP Macro (SHF, Fuse)
 - 4096×24 (8 kB with ECC, 16-bit ECC write granularity)
- Access port (AP), providing:

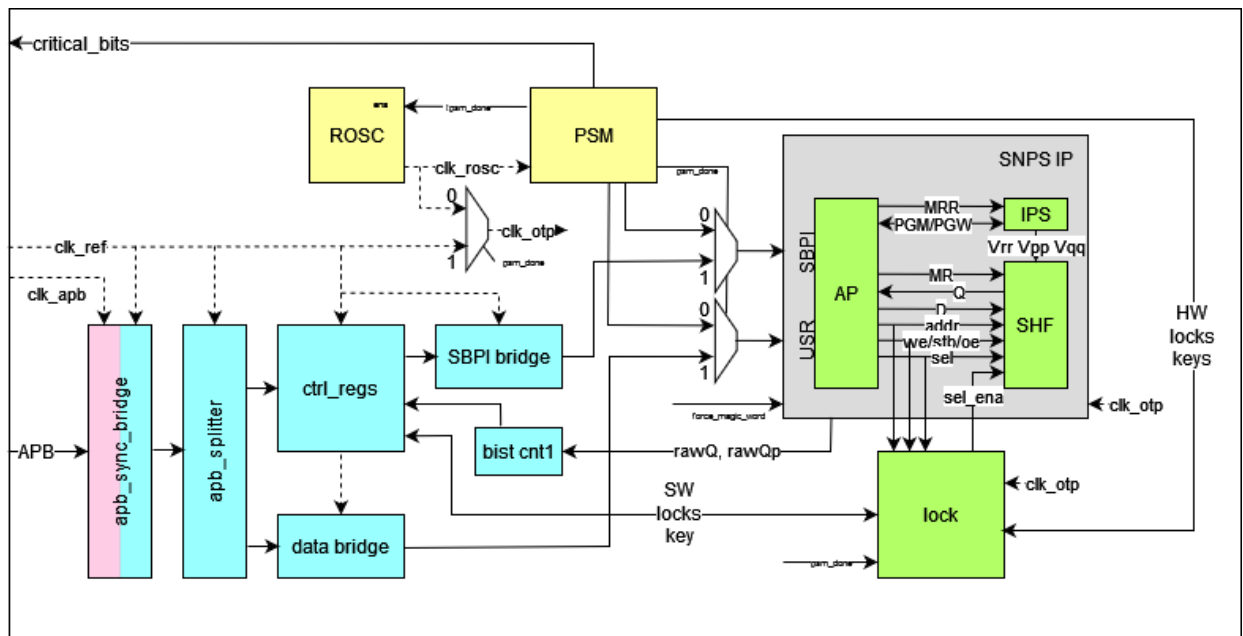
- o Basic read access
- o Programming access
- o ECC and bit redundancy
- o BOOT function, which polls for stable OTP power supply at start-of-day

13.3. Background: OTP hardware architecture

This diagram shows the integration of the three Synopsys IP components, and the Raspberry Pi hardware added to make this all function in the context of RP2350’s system and security architecture. More specifically:

- APB interface(s) to connect to the SoC
- Internal ring oscillator with clock edge randomisation
- Power-up state machine, running off the ring oscillator
- Lock shim, sitting between the SNPS RTL and the memory core (fuse)

Figure 142. OTP architecture



The OTP subsystem clock is initially provided by the OTP boot oscillator (Section 13.3.3) during hardware startup, but switches to `clk_ref` before any software runs on the processors. The frequency of `clk_ref` must not exceed 25 MHz when accessing the OTP.

13.3.1. Lock shim

The lock shim is inserted between the Synopsys AP block and the SHF block, and is used to enforce read/write page locks, based on:

- The OTP address presented on the AP → SHF bus
- The read/write strobe on the AP → SHF bus
- The security attribute of the upstream bus access which caused this SHF access (assumed to be Secure if SBPI is currently enabled via `USR.DCTRL`)

Because the Synopsys AP performs both reads and writes in the course of programming an OTP row, it is impossible to disable reads to an address without also disabling writes. Three lock states are supported:

- Read/Write
- Read-only
- Inaccessible

The full locking scheme is described in in [Section 13.5](#), but to summarise:

- The lock state of each OTP page is read from OTP at boot time.
- There is a separate copy of the lock state for Secure/Non-secure accesses. The lock shim applies the Secure read permissions to Secure reads, and the Non-secure read permissions to Non-secure reads. There is no such rule for writes, because Non-secure code is not capable of accessing the programming hardware.
- The lock encoding in OTP storage is such that a page can always be locked down to a less permissive state (in the order RW → RO → Inaccessible) but can never return to a more permissive state.
- Software can advance the state of each individual lock at runtime without programming OTP, and this lasts until the OTP PSM is re-run.
- Software locks also obey the lock progression order (RW → RO → Inaccessible) and can not be regressed.

The full locking scheme is described in in [Section 13.5](#).

13.3.2. External interfaces

The OTP integration has one upstream APB interface, which splits internally onto two separate interfaces. This guarantees the hardware only serves a single upstream APB access at a time, with a single PPROT security level.

The first APB interface is the *data* interface (or data bridge) (OTPD). It has the following characteristics:

- Read-only
- Connects to the Synopsys device access port (DAP)
- Data interface reads always return 32 or 24 bits of valid data
- The data interface address is rounded down to a multiple of 32 bits, so that narrow reads return the correct byte lanes
- There is an 8 kB window which supports 32-bit ECC reads
 - Each upstream bus read is split into two OTP accesses, each of which returns 16 bits of error-corrected data from the OTP
- There is an 8 kB window which supports guarded 32-bit ECC reads, and returns a bus error if the guarding read fails.
 - Functions the same as the ECC read window, but reads the Synopsys boot word before accessing the OTP array, and return a bus error if the first read does not match the expected constant
 - Used to increase confidence in software OTP reads in the bootrom
- There is a 16 kB window which supports 24-bit raw reads
 - Each access returns a single raw 24-bit OTP row, bypassing error correction
 - Software must provide its own redundancy (e.g. triple majority vote)
 - Allows bit-mutable data structures, such as boot flags, or thermometer counters

The second APB interface is the *command* interface. This provides two main functions:

- Provides a bridge to the SBPI interface (Synopsys proprietary Serial and Byte-Parallel Interface bus)
 - SBPI connects to the Programmable Master Controller (PMC), with access to the DAP, DATAPATH, charge pump (IPS), and fuse memory (SHF)

- Allows arbitrary OTP operations, including programming
- Only accessible to Secure reads and writes
- Provides control registers for Raspberry Pi hardware
 - Registers have different accessibility according to Secure/Non-secure and read/write
 - Software lock registers are always readable by both security domains

Hardware configuration data read from OTP during the power-up sequence drives system-level control signals, e.g. disabling CoreSight APs. This is described in more detail in (Section 13.3.4).

A single system-level interrupt output (IRQ) generates interrupts for the following sources:

- Secure read failed due to locks
- Non-secure read failed due to locks
- Write failed due to locks
- SBPI FLAG, used by the PMC to signal completion
- Data port access when DCTRL is set error
 - `USR.DCTRL` tells the SNPS AP whether the SBPI bridge or data bridge can access the memory array; this help debugging SW if a data access is attempted whilst the DAP is inaccessible

Any failed access also returns a bus fault (`PSLVERR`). To determine whether an OTP address is accessible, query the lock tables.

Non-secure code cannot access the interrupt status registers.

13.3.3. OTP boot oscillator

The OTP startup sequence (Section 13.3.4) runs from a local ring oscillator, dedicated to the OTP subsystem. This is separate from the system ring oscillator (the ROOSC) which provides the system clock to run the processors during boot.

- The OTP boot oscillator is the only clock used by the OTP power-up state machine
- The OTP boot oscillator dynamically randomises its own frequency controls, to deliberately add jitter to the clock
- The OTP boot oscillator stops when the PSM completes, and does not start again until the OTP resets
- The OTP clock automatically switches to `clk_ref` when the OTP boot oscillator stops

The boot oscillator has a nominal frequency of 12MHz. It provides the clock for reading out hardware configuration from OTP, including the critical flags (Section 13.4) which configure hardware security features such as debug disable and the glitch detectors.

Keeping this oscillator local to the OTP hardware subsystem reduces the power signature of the clock itself, due to the lower switched clock capacitance. Along with the random jitter of the frequency controls, this helps frustrate attempts to recover OTP access keys and debug keys via power signature analysis attacks, or to disable security features by timing fault injection against the OTP clock.

Only the OTP boot oscillator enables the ROOSC frequency randomisation feature by default: for later operations using the system ROOSC (Section 8.3), you must explicitly enable this feature on that oscillator, by programming the ROOSC control registers. The crystal oscillator (XOSC) does not support frequency randomisation.

13.3.4. Power-up state machine

The OTP is the second item in the switched core domain's Power-On State Machine (Section 7.4), after the processor cold reset. OTP does not release its `rst_done`, or enable any debug interface (including the factory test JTAG described in Section 10.10), until the OTP PSM reads out OTP-resident hardware configuration. The `rst_done` output to the system

PSM holds the rest of the system in reset until the OTP PSM completes, so that no software runs until the OTP's contents are known.

The OTP boot sequence runs from a local ring oscillator. This oscillator is dedicated to the OTP subsystem, and is separate from the main system ROSC used by the processors at boot. The sequence is:

1. First, the PSM runs the Synopsys boot instruction. This has the following steps:
 - a. Wait for the power supply to return a 'good' value.
 - b. Read consistency check location until hardware sees the correct value for 16 successive reads. Consistency checks use predefined words stored in mask ROM cells with similar analogue properties to OTP cells.
2. Read critical flags (non-ECC): each critical bit is redundant across 8 OTP rows, with three-of-eight vote for each flag.
3. Read hardware access keys via ECC read interface.
4. Read valid bits for hardware access keys, including the debug keys ([Section 3.5.9.2](#))
5. Initialise page lock registers from the lock page via raw read interface.
6. Assert `rst_done` signal to the system power-on state machine
7. The system reset sequence continues, starting with the system ROSC

RP2350 A3 adds correctness checks and robustness to the PSM. For more information about these additions, see [RP2350-E16](#).

13.4. Critical flags

Critical flags enable hardware security features which are fundamental to RP2350's secure boot implementation. The OTP power-up state machine reads critical flags very early in the system reset sequence, before any code runs on the processors.

Most critical flags are in the main Boot Configuration page, page 1. These are listed under [CRIT1](#) in the OTP data listing. The exceptions are the Arm/RISC-V disable flags, which are in the Chip Info page, page 0. This page is made read-only during factory programming, so users can not write to the [CRIT0](#) flags.

Critical flags define `0` as the unprogrammed value, and `1` as the programmed value. On a blank device, all of the [CRIT1](#) flags are `0`. The reset value specified below is the value assigned to the internal logic net between the OTP reset being applied and the OTP PSM completing. For example, the reset value of `1` for the debug disable flags implies that debug is not accessible whilst the OTP PSM is running, but may be available afterward, depending on the value read from OTP storage.

- [ARM_DISABLE](#) (reset: `0`): Force the [ARCHSEL](#) register to RISC-V, at higher priority than RISC-V disable flag, secure boot enable flag, or default boot architecture flag.
- [RISCV_DISABLE](#) (reset: `0`): Force the [ARCHSEL](#) register to Arm, at higher priority than the default boot architecture flag.
- [SECURE_BOOT_ENABLE](#) (reset: `1`): Enable boot signature checking in bootrom, disable factory JTAG, and force the [ARCHSEL](#) register to Arm, at higher priority than the default boot architecture flag.
- [SECURE_DEBUG_DISABLE](#) (reset: `1`): Disable factory JTAG, block Secure accesses from Mem-APs, and block halt requests to Secure processors.
 - Prevents secure AP accesses by masking their `ap_secure_en` signals.
 - Prevents secure processor halting by masking the Cortex-M33's `SPIDEN` and `NSPIDEN` signals.
 - Secure debug can be re-enabled by a Secure register in the OTP block.
 - Re-enable of Secure debug can be disabled by a Secure write-1-only lock register, also in the OTP block.
- [DEBUG_DISABLE](#) (reset: `1`): Completely disable the Mem-APs, in addition to disabling everything disabled by the secure

debug disable flag.

- **BOOT_ARCH** (reset: 0): set the reset value of the **ARCHSEL** register (0 → Arm, 1 → RISC-V) if it has not been forced by other critical flags.
 - Not critical, but hardware-read.
- **GLITCH_DETECTOR_ENABLE** (reset: 0): pass an enable signal to the glitch detectors so that they can be armed before any software runs.
- **GLITCH_DETECTOR_SENS**(reset: 0): configure the initial sensitivity of the glitch detector circuits.

Critical flags are encoded with a three-of-eight vote across eight consecutive OTP rows. Each flag is redundantly programmed to the same bit position in eight consecutive rows. Hardware considers the flag to be set if the bit reads as 1 in at least three of these eight rows. The flag is considered clear if no more than two bits are observed to be set.

i NOTE

As of RP2350 A3 the **ARM_DISABLE** flag has no effect, removing a potential unlock path for debug on a secured RP2350. Additionally, the combination of **RISCV_DISABLE=1** and **BOOT_ARCH=1** is decoded to an invalid state and the chip will not boot.

JTAG disable is ignored only if the customer RMA flag ([Section 13.7](#)) is set.

For further discussion of the effects of the critical flags, see:

- [Section 3.5.9.1](#) for the effects of the debug disable flags
- [Section 3.9](#) for the effects of the Arm/RISC-V architecture select flags
- [Section 10.9](#) for the effects of the glitch detector configuration flags
- [Section 10.1.1](#) for discussion of the bootrom secure boot support enabled by the **SECURE_BOOT_ENABLE** flag

13.5. Page locks

The OTP protection hardware logically segments OTP into 64 *pages* (0 through 63), each 128 bytes in size, or equivalently 64 OTP rows.

Each page has a set of lock registers which determine read and write access for that page from Secure and Non-secure code. The lock registers are preloaded from OTP at reset, and can then be advanced (i.e. made less permissive) by software. Lock registers themselves are always world-readable.

Pages 61 through 63 are not so neatly described by a single set of lock registers. These pages store lock initialisation metadata. For more details, see [Section 13.5.4](#). This section describes the more common case of a page protected by a set of page locks.

13.5.1. Lock progression

Due to hardware constraints ([Section 13.3.1](#)), read and write restrictions are not orthogonal: it's impossible to disallow reads to an address without also disallowing writes. So, the progression of locking for a given page is:

0. Read/Write
1. Read-only
2. Inaccessible

Lock state *only increases*. This is enforced in two ways:

- Due to the nature of OTP and the choice of encoding, you cannot lower the OTP values preloaded to the lock registers during boot.

- The lock registers ignore writes of lower-than-current values.

Secure and Non-secure use separate lock values, which can advance independently of one another. There is no hardware distinction between Non-secure Read/Write and Non-secure Read-only, since Non-secure can not directly write to the OTP anyway. It is still worth encoding, because Secure software performing a write on Non-secure software's behalf can check and enforce the Non-secure write lock.

You can reprogram bits from any state to any higher state. Locks use a 2-bit thermometer code: the initial all-zeroes state is read-write, and locks are advanced by programming first bit 0, then bit 1.

Lock bits in OTP are triple-redundant with a majority vote. They can't be ECC-protected, because they may be mutated bit-by-bit over multiple programming operations.

The OTP-resident lock bits are write-protected by their own Secure lock level. The lock pages are always world-readable.

The Secure lock registers can be advanced by Secure code, and are world-readable.

The Non-secure lock registers can be advanced by Secure or Non-secure code, and are world-readable.

13.5.2. OTP access keys

Page 61 contains 128-bit keys. Each key has a **valid bit**: when set, the key becomes completely inaccessible to software. The keys are always read out into hidden registers by hardware during startup so that hardware can perform key comparisons without exposing the keys to software.

Pages can require specific keys for some page permissions. To unlock the page, the user writes their key to a write-only register in the OTP block. The page remains unlocked for as long as the correct key is present in this register. To re-lock the page, erase the active key by writing zeroes to the key register.

The per-page lock config specifies the following:

- a **read key** index 1-7, or 0 if there is no read key
- a **write key** index 1-7 or 0 if there is no write key
- the **no-key state**: either Read-only or Inaccessible, state of the page when no registered key has been entered by software into the key register

The no-key state is encoded as follows:

- 0 for Read-only (lock level 1)
- 1 for Inaccessible (lock level 2).

TIP

Key index 7 does not exist in the configuration. If you specify key index 7, it is guaranteed to never match.

The hardware determines the **key lock level** by comparing the entered key to the key config of the current page, as follows:

1. If no keys are registered, the key lock level is 0
2. Else if keys are registered and no matching key is entered, the key lock level is 2 or 1 depending on the "no-key state" config
3. Else if a write key is registered and present, the key lock level is 0
4. Else if a read key is registered and present, the key lock level is 1

Hardware compares the key lock level to the page's lock level for the current security domain (Secure/Non-secure) and takes **whichever is higher**. For example, if a page has been made Non-secure read-only, there is nothing a key can do to make it Non-secure writable.

There are six 128-bit access keys stored in the OTP. Keys 5 and 6 also function as the Secure debug access key and

Non-secure debug access key, respectively. See [Section 3.5.9.2](#) for information on how the debug keys affect external debug access.

You might use OTP access keys if a bootloader contains OTP configuration that needs to be Secure-writable *only to the board owner*, not to general Secure software on the device.

13.5.3. Lock encoding in OTP

Page locks are encoded as a 16-bit value. This value is stored as a pair of triple-redundant bytes, each byte occupying a 24-bit OTP row.

The lock halfword is encoded as follows:

| Bits | Purpose |
|-------|--|
| 2:0 | Write key index, or 0 if no write key |
| 5:3 | Read key index, or 0 if no read key |
| 6 | No-key state, 0=Read-only 1=Inaccessible |
| 7 | Reserved |
| 9:8 | Secure lock state (thermometer code 0 → 2) |
| 11:10 | Non-secure lock state (thermometer code 0 → 2) |
| 13:12 | PicoBoot lock state (thermometer code 0 → 2) or software-defined use if PicoBoot OTP is disabled |
| 15:12 | Reserved |

13.5.4. Special pages

The following pages require special case handling in their lock checks:

- The lock word region itself (pages 62 and 63)
 - Lock words are always world-readable
 - Lock words are writable by Secure code if the lock word itself permits Secure writes
 - Consequently, lock words 62 and 63 are considered "spare", since they do not protect pages 62 and 63; the page 63 lock word is repurposed for the RMA flag
- The hardware access key page (page 61)
 - Contains OTP access keys and debug access keys
 - Each key also has a valid bit (*rbit*)
 - Page 61 (key page) has all of the usual protections from the page 61 lock word
 - If a key's valid bit is set, that key is inaccessible; the converse is not necessarily true

Page 0, known as the **chip info page**, is *not* a special page. Raspberry Pi sets page 0 to read-only during factory test, after writing chip identification and calibration values.

13.5.5. Permissions of blank devices

Each RP2350 device has some information programmed during manufacturing test. At this time, a small number of hard page lock bits are also programmed:

- Page 0, which contains chip information, is read-only for all accesses.
- Pages 1 and 2, which contain boot config and boot key fingerprints, are read-only for Non-secure access, read-write for Secure access, and read-write for bootloader access.
- Page 62, which contains only the page 62 lock word, is read-only for Non-secure access, read-write for Secure access, and read-write for bootloader access (as a partial workaround for [RP2350-E28](#)).
- Page 63, which contains the RMA flag, is read-only for Non-secure and bootloader access, and read-write for Secure access.

This minimal set of default permissions on blank devices avoids certain classes of security model violation, like Non-secure code being able to brick the chip by overwriting the boot key fingerprints with invalid data. In this context, the term *blank device* refers to a device that has gone through manufacturing test programming, but has not had any other OTP bits programmed by the user.

You can add additional soft or hard locks to these default permissions, with the exception of page 0. Page 0 cannot be hard-locked, since the secure read-only permission prevents a user from altering its lock word.

Lock words 2 through 61, covering all pages with user-defined contents, are left unprogrammed. On a blank device, these pages are fully accessible from all domains. Before launching any Non-secure application, you should apply at least a soft read-only lock to all pages that are not explicitly allocated for Non-secure use. To do this, write to [SW_LOCK2](#) through [SW_LOCK61](#). For devices that you don't expect to RMA, such as those that have passed board-level manufacturing tests, you should lock secure writes to the RMA flag.

13.6. Error Correction Code (ECC)

ECC-protected rows store data in the following structure, accessible through a raw alias:

- Bits [23:22](#): bit repair by polarity (BRP) flag
- Bits [21:16](#): modified Hamming ECC code
- Bits [15:0](#) (the 16 LSBs): data

RP2350 stores the following error correction data in the 8 MSBs of each 24-bit row:

- a 6-bit modified Hamming code ECC, providing single-error-correct and double-error-detect capabilities
- 2 bits of bit repair by polarity (BRP), which supports inverting the entire row at programming time to repair a single set bit that should be clear

Writes first encode ECC, then BRP. Reads first decode BRP, then ECC. When reading through an ECC data alias ([Section 13.1](#)), hardware performs correction transparently. ECC programming operations (writes) automatically generate ECC bits when you use the bootrom [otp_access](#) API ([Section 5.4.8.21](#)).

ECC is not suitable for data that mutates one bit at a time, since the ECC value is derived from the entire 16-bit data value. When storing data without ECC, use another form of redundancy, such as 3-way majority vote.

13.6.1. Bit repair by polarity (BRP)

Bit repair by polarity (BRP) compensates for a single bit present at time of programming.

When programming a row, hardware or software first calculates a 24-bit target value consisting of:

- Two zeroes in bits [23:22](#)
- 6-bit Hamming ECC in bits [21:16](#)
- 16-bit data value in bits [15:0](#)

Before programming, an OTP row should contain all zeros. However, sometimes OTP rows contain a single bit that is already set to **1**, either due to manufacturing flaws or previous programming. If a bit is already set (**1**) in an OTP row

before programming, BRP checks the status of the corresponding bit in the target value. BRP compensates for this single set bit in one of two ways, depending on the corresponding value in the target value:

- If the bit is clear (0), BRP inverts the target row and writes two ones in bits 23:22.
- If the bit is set (1), BRP does not invert the target row, leaving two zeroes in bits 23:22.

When you read an OTP value through an ECC alias (Section 13.1), BRP checks for two ones in bits 23:22. When both bits 23 and 22 are set, BRP inverts the entire row before passing it to the modified Hamming code stage.

BRP makes it possible to store any 22-bit value in a row that initially has at most one bit set, preserving the correction margin of the modified Hamming code. During manufacturing test, hardware scans the entire OTP array to ensure no rows contain more than one pre-set bit.

13.6.2. Modified Hamming ECC

ECC generates six **parity bits** based on the data value stored in bits 15:0 of an OTP row. When programming a row, ECC generates those six parity bits and includes them in the target value as bits 21:16. This code consists of:

- A 5-bit Hamming code that identifies single-bit errors
- An even parity bit which allows two-bit errors to be detected in the Hamming code and the original 16-bit data

When you read an OTP value through an ECC alias (Section 13.1), ECC recalculates the six parity bits based on the value read from the OTP row. Then, ECC XORs the original six parity bits with the newly-calculated parity bits. This generates 6 new bits:

- the 5 LSBs are the *syndrome*, a unique bit pattern that corresponds to each possible bit flip in the data value
- the MSB distinguishes between odd and even numbers of bit flips

If all 6 bits in this value are zero, ECC did not detect an error. If the MSB is 1, the syndrome should indicate a single-bit error. ECC flips the corresponding data bit to recover from the error. If the MSB is 0, but the syndrome contains a value other than 0, the ECC detected an unrecoverable multi-bit error.

You can calculate 5-bit Hamming codes and parity bits with the following C code (adapted from the RP2350 bootrom source):

```
uint32_t even_parity(uint32_t input) {
    uint32_t rc = 0;
    while (input) {
        rc ^= input & 1;
        input >>= 1;
    }
    return rc;
}

const uint32_t otp_ecc_parity_table[6] = {
    0b00000010101101011011,
    0b000000011011001101101,
    0b0000001100011110001110,
    0b00000000001111110000,
    0b00000011111000000000,
    0b01111111111111111111
};

uint32_t s_otp_calculate_ecc(uint16_t x) {
    uint32_t p = x;
    for (uint i = 0; i < 6; ++i) {
        p |= even_parity(p & otp_ecc_parity_table[i]) << (16 + i);
    }
    return p;
}
```

}

13.7. Device decommissioning (RMA)

Decommissioning refers to destroying a device's sensitive contents and restoring some test or debug functionality when a device reaches the end of its security lifecycle. The OTP hardware can't actually destroy user data without circumventing write protection in some way. Instead, decommissioning is implemented with the **RMA flag**, which modifies devices in the following ways:

- re-enables factory test JTAG which is otherwise disabled by the secure boot critical flag
- makes pages 3 through 61 inaccessible

The RMA flag doesn't change permissions for page 0 (manufacturing data), pages 1 and 2 (boot configuration), page 61 (OTP access keys), or pages 62 and 63 (locks).

The RMA flag is encoded in a spare bit of the page 63 lock word. This lock word would otherwise be unused, since page 63 is one of the lock pages; consequently, it is not protected by a lock word. Instead, each lock word protects itself.

Like all other lock words, the page 63 lock word is protected by its own locks, which means it can be hard- and soft-locked to prevent the RMA flag being set. Locking the RMA flag makes it impossible to re-enable the factory JTAG interface if any of `CRIT1.SECURE_BOOT_ENABLE`, `CRIT1.DEBUG_DISABLE` or `CRIT1.SECURE_DEBUG_DISABLE` is set. This makes it impossible for Raspberry Pi to re-test such devices if they are returned for fault analysis.

! IMPORTANT

Setting the RMA flag does not destroy OTP contents, it merely renders it inaccessible. The design intent is for this to be irreversible, but hardware is never perfect. This is something the user's threat model must account for when programming the RMA flag on devices with sensitive OTP contents – for example, by personalising per-device OTP secrets to avoid class breaks if an attacker is able to retrieve the keys.

13.8. Imaging Vulnerability

The RP2350 OTP is intended to store boot key fingerprints and boot decryption keys. The ability to protect encrypted contents in external flash storage depends on the ability to protect the OTP contents from unauthorised or external reads. The OTP uses **antifuse** bit cells, which store data as a charge, similar to a flash bit cell. They do not make use of a physical structural change as used in a traditional fuse cell. This makes them resistant to many imaging techniques, such as optical and scanning electron microscopy. However antifuse cells *can* be imaged using a novel technique called **passive voltage contrast** (PVC), using a focused ion beam (FIB) device.

PVC Whitepaper

For more information on passive voltage contrast imaging, read the whitepaper by IOActive:

<https://www.ioactive.com/wp-content/uploads/2025/01/IOActive-RP2350HackingChallenge.pdf>

This process involves decapsulating the die. Therefore physical access to the device is a strict requirement, and there is a moderate chance of destroying the die without being able to recover its OTP contents.

13.8.1. Best Practices

The following best practices minimise your susceptibility to imaging of OTP contents:

- Provision unique keys per device, rather than sharing secrets across a fleet of devices.
- Use **chaff** as described in the next section to make imaging more difficult.

13.8.2. Chaff

OTP bits come in pairs: two bits are stored in the isolated gates of two transistors, with a common bit line between them. This structure is known as a **bit cell**. In each 64-row OTP page, rows *i* and $32 + i$ share the same bit cells. For example, the ECC halfwords `BOOTKEY0_0` and `BOOTKEY2_0` are physically colocated.

The particulars of the PVC technique make it difficult to distinguish which of the two bits in a bit cell is set. If one bit in each pair is known to be zero – for example, a key stored at the bottom of an otherwise blank page – then the data can be trivially read from the PVC image. However the presence of unknown data in both bits frustrates these attempts. This fact can be exploited by storing data redundantly in the top and bottom half of each page. Specifically:

- Store arbitrary data in each row *i* from 0 to 31.
- Store the 24-bit bitwise complement of those values in each row $32 + i$.

The bitwise operations specified here are on the entire 24-bit raw row contents, including the ECC bit pattern.

An alternative technique is to store a random value in row $32 + i$ and the XOR of that random value with the desired data value in row *i*. This is advantageous from a power side channel perspective because it avoids reading the secret value directly from OTP, and the example RP2350 encrypted bootloader uses a similar technique with a 4-way XOR. However the bitwise complement technique described above is recommended for pairwise chaff. This is the same as the XOR technique with a fixed XOR pattern of `0xfffff`.

13.9. List of registers

The OTP control registers start at a base address of `0x40120000` (defined as `OTP_BASE` in the SDK).

Table 1332. List of OTP registers

| Offset | Name | Info |
|--------|------------------------|-------------------------------------|
| 0x000 | <code>SW_LOCK0</code> | Software lock register for page 0. |
| 0x004 | <code>SW_LOCK1</code> | Software lock register for page 1. |
| 0x008 | <code>SW_LOCK2</code> | Software lock register for page 2. |
| 0x00c | <code>SW_LOCK3</code> | Software lock register for page 3. |
| 0x010 | <code>SW_LOCK4</code> | Software lock register for page 4. |
| 0x014 | <code>SW_LOCK5</code> | Software lock register for page 5. |
| 0x018 | <code>SW_LOCK6</code> | Software lock register for page 6. |
| 0x01c | <code>SW_LOCK7</code> | Software lock register for page 7. |
| 0x020 | <code>SW_LOCK8</code> | Software lock register for page 8. |
| 0x024 | <code>SW_LOCK9</code> | Software lock register for page 9. |
| 0x028 | <code>SW_LOCK10</code> | Software lock register for page 10. |
| 0x02c | <code>SW_LOCK11</code> | Software lock register for page 11. |
| 0x030 | <code>SW_LOCK12</code> | Software lock register for page 12. |
| 0x034 | <code>SW_LOCK13</code> | Software lock register for page 13. |
| 0x038 | <code>SW_LOCK14</code> | Software lock register for page 14. |
| 0x03c | <code>SW_LOCK15</code> | Software lock register for page 15. |

| Offset | Name | Info |
|--------|-----------|-------------------------------------|
| 0x040 | SW_LOCK16 | Software lock register for page 16. |
| 0x044 | SW_LOCK17 | Software lock register for page 17. |
| 0x048 | SW_LOCK18 | Software lock register for page 18. |
| 0x04c | SW_LOCK19 | Software lock register for page 19. |
| 0x050 | SW_LOCK20 | Software lock register for page 20. |
| 0x054 | SW_LOCK21 | Software lock register for page 21. |
| 0x058 | SW_LOCK22 | Software lock register for page 22. |
| 0x05c | SW_LOCK23 | Software lock register for page 23. |
| 0x060 | SW_LOCK24 | Software lock register for page 24. |
| 0x064 | SW_LOCK25 | Software lock register for page 25. |
| 0x068 | SW_LOCK26 | Software lock register for page 26. |
| 0x06c | SW_LOCK27 | Software lock register for page 27. |
| 0x070 | SW_LOCK28 | Software lock register for page 28. |
| 0x074 | SW_LOCK29 | Software lock register for page 29. |
| 0x078 | SW_LOCK30 | Software lock register for page 30. |
| 0x07c | SW_LOCK31 | Software lock register for page 31. |
| 0x080 | SW_LOCK32 | Software lock register for page 32. |
| 0x084 | SW_LOCK33 | Software lock register for page 33. |
| 0x088 | SW_LOCK34 | Software lock register for page 34. |
| 0x08c | SW_LOCK35 | Software lock register for page 35. |
| 0x090 | SW_LOCK36 | Software lock register for page 36. |
| 0x094 | SW_LOCK37 | Software lock register for page 37. |
| 0x098 | SW_LOCK38 | Software lock register for page 38. |
| 0x09c | SW_LOCK39 | Software lock register for page 39. |
| 0x0a0 | SW_LOCK40 | Software lock register for page 40. |
| 0x0a4 | SW_LOCK41 | Software lock register for page 41. |
| 0x0a8 | SW_LOCK42 | Software lock register for page 42. |
| 0x0ac | SW_LOCK43 | Software lock register for page 43. |
| 0x0b0 | SW_LOCK44 | Software lock register for page 44. |
| 0x0b4 | SW_LOCK45 | Software lock register for page 45. |
| 0x0b8 | SW_LOCK46 | Software lock register for page 46. |
| 0x0bc | SW_LOCK47 | Software lock register for page 47. |
| 0x0c0 | SW_LOCK48 | Software lock register for page 48. |
| 0x0c4 | SW_LOCK49 | Software lock register for page 49. |
| 0x0c8 | SW_LOCK50 | Software lock register for page 50. |
| 0x0cc | SW_LOCK51 | Software lock register for page 51. |

| Offset | Name | Info |
|--------|--------------|---|
| 0x0d0 | SW_LOCK52 | Software lock register for page 52. |
| 0x0d4 | SW_LOCK53 | Software lock register for page 53. |
| 0x0d8 | SW_LOCK54 | Software lock register for page 54. |
| 0x0dc | SW_LOCK55 | Software lock register for page 55. |
| 0x0e0 | SW_LOCK56 | Software lock register for page 56. |
| 0x0e4 | SW_LOCK57 | Software lock register for page 57. |
| 0x0e8 | SW_LOCK58 | Software lock register for page 58. |
| 0x0ec | SW_LOCK59 | Software lock register for page 59. |
| 0x0f0 | SW_LOCK60 | Software lock register for page 60. |
| 0x0f4 | SW_LOCK61 | Software lock register for page 61. |
| 0x0f8 | SW_LOCK62 | Software lock register for page 62. |
| 0x0fc | SW_LOCK63 | Software lock register for page 63. |
| 0x100 | SBPI_INSTR | Dispatch instructions to the SBPI interface, used for programming the OTP fuses. |
| 0x104 | SBPI_WDATA_0 | SBPI write payload bytes 3..0 |
| 0x108 | SBPI_WDATA_1 | SBPI write payload bytes 7..4 |
| 0x10c | SBPI_WDATA_2 | SBPI write payload bytes 11..8 |
| 0x110 | SBPI_WDATA_3 | SBPI write payload bytes 15..12 |
| 0x114 | SBPI_RDATA_0 | Read payload bytes 3..0. Once read, the data in the register will automatically clear to 0. |
| 0x118 | SBPI_RDATA_1 | Read payload bytes 7..4. Once read, the data in the register will automatically clear to 0. |
| 0x11c | SBPI_RDATA_2 | Read payload bytes 11..8. Once read, the data in the register will automatically clear to 0. |
| 0x120 | SBPI_RDATA_3 | Read payload bytes 15..12. Once read, the data in the register will automatically clear to 0. |
| 0x124 | SBPI_STATUS | |
| 0x128 | USR | Controls for APB data read interface (USER interface) |
| 0x12c | DBG | Debug for OTP power-on state machine |
| 0x134 | BIST | During BIST, count address locations that have at least one leaky bit |
| 0x138 | CRT_KEY_W0 | Word 0 (bits 31..0) of the key. Write only, read returns 0x0 |
| 0x13c | CRT_KEY_W1 | Word 1 (bits 63..32) of the key. Write only, read returns 0x0 |
| 0x140 | CRT_KEY_W2 | Word 2 (bits 95..64) of the key. Write only, read returns 0x0 |
| 0x144 | CRT_KEY_W3 | Word 3 (bits 127..96) of the key. Write only, read returns 0x0 |
| 0x148 | CRITICAL | Quickly check values of critical flags read during boot up |
| 0x14c | KEY_VALID | Which keys were valid (enrolled) at boot time |

| Offset | Name | Info |
|--------|--------------------------------|---|
| 0x150 | DEBUGEN | Enable a debug feature that has been disabled. Debug features are disabled if one of the relevant critical boot flags is set in OTP (DEBUG_DISABLE or SECURE_DEBUG_DISABLE), OR if a debug key is marked valid in OTP, and the matching key value has not been supplied over SWD. |
| 0x154 | DEBUGEN_LOCK | Write 1s to lock corresponding bits in DEBUGEN. This register is reset by the processor cold reset. |
| 0x158 | ARCHSEL | Architecture select (Arm/RISC-V), applied on next processor reset. The default and allowable values of this register are constrained by the critical boot flags. |
| 0x15c | ARCHSEL_STATUS | Get the current architecture select state of each core. Cores sample the current value of the ARCHSEL register when their warm reset is released, at which point the corresponding bit in this register will also update. |
| 0x160 | BOOTDIS | Tell the bootrom to ignore scratch register boot vectors (both power manager and watchdog) on the next power up. |
| 0x164 | INTR | Raw Interrupts |
| 0x168 | INTE | Interrupt Enable |
| 0x16c | INTF | Interrupt Force |
| 0x170 | INTS | Interrupt status after masking & forcing |

OTP: SW_LOCK0, SW_LOCK1, ..., SW_LOCK62, SW_LOCK63 Registers

Offsets: 0x000, 0x004, ..., 0x0f8, 0x0fc

Description

Software lock register for page *N*.

Locks are initialised from the OTP lock pages at reset. This register can be written to further advance the lock state of each page (until next reset), and read to check the current lock state of a page.

Table 1333.
SW_LOCK0,
SW_LOCK1, ...,
SW_LOCK62,
SW_LOCK63 Registers

| Bits | Description | Type | Reset |
|------|---|------|-------|
| 31:4 | Reserved. | - | - |
| 3:2 | NSEC: Non-secure lock status. Writes are OR'd with the current value. | RW | - |
| | Enumerated values: | | |
| | 0x0 → READ_WRITE | | |
| | 0x1 → READ_ONLY | | |
| | 0x3 → INACCESSIBLE | | |
| 1:0 | SEC: Secure lock status. Writes are OR'd with the current value. This field is read-only to Non-secure code. | RW | - |
| | Enumerated values: | | |
| | 0x0 → READ_WRITE | | |
| | 0x1 → READ_ONLY | | |
| | 0x3 → INACCESSIBLE | | |

OTP: SBPI_INSTR Register

Offset: 0x100

Description

Dispatch instructions to the SBPI interface, used for programming the OTP fuses.

Table 1334.
SBPL_INSTR Register

| Bits | Description | Type | Reset |
|-------|---|------|-------|
| 31 | Reserved. | - | - |
| 30 | EXEC : Execute instruction | SC | 0x0 |
| 29 | IS_WR : Payload type is write | RW | 0x0 |
| 28 | HAS_PAYLOAD : Instruction has payload (data to be written or to be read) | RW | 0x0 |
| 27:24 | PAYLOAD_SIZE_M1 : Instruction payload size in bytes minus 1 | RW | 0x0 |
| 23:16 | TARGET : Instruction target, it can be PMC (0x3a) or DAP (0x02) | RW | 0x00 |
| 15:8 | CMD | RW | 0x00 |
| 7:0 | SHORT_WDATA : wdata to be used only when payload_size_m1=0 | RW | 0x00 |

OTP: SBPI_WDATA_0 Register

Offset: 0x104

Table 1335.
SBPL_WDATA_0 Register

| Bits | Description | Type | Reset |
|------|-------------------------------|------|------------|
| 31:0 | SBPI write payload bytes 3..0 | RW | 0x00000000 |

OTP: SBPI_WDATA_1 Register

Offset: 0x108

Table 1336.
SBPL_WDATA_1 Register

| Bits | Description | Type | Reset |
|------|-------------------------------|------|------------|
| 31:0 | SBPI write payload bytes 7..4 | RW | 0x00000000 |

OTP: SBPI_WDATA_2 Register

Offset: 0x10c

Table 1337.
SBPL_WDATA_2 Register

| Bits | Description | Type | Reset |
|------|--------------------------------|------|------------|
| 31:0 | SBPI write payload bytes 11..8 | RW | 0x00000000 |

OTP: SBPI_WDATA_3 Register

Offset: 0x110

Table 1338.
SBPL_WDATA_3 Register

| Bits | Description | Type | Reset |
|------|---------------------------------|------|------------|
| 31:0 | SBPI write payload bytes 15..12 | RW | 0x00000000 |

OTP: SBPI_RDATA_0 Register

Offset: 0x114

Table 1339.
SBPL_RDATA_0 Register

| Bits | Description | Type | Reset |
|------|---|------|------------|
| 31:0 | Read payload bytes 3..0. Once read, the data in the register will automatically clear to 0. | RO | 0x00000000 |

OTP: SBPI_RDATA_1 Register

Offset: 0x118

Table 1340.
SBPL_RDATA_1
Register

| Bits | Description | Type | Reset |
|------|---|------|------------|
| 31:0 | Read payload bytes 7..4. Once read, the data in the register will automatically clear to 0. | RO | 0x00000000 |

OTP: SBPI_RDATA_2 Register

Offset: 0x11c

Table 1341.
SBPL_RDATA_2
Register

| Bits | Description | Type | Reset |
|------|--|------|------------|
| 31:0 | Read payload bytes 11..8. Once read, the data in the register will automatically clear to 0. | RO | 0x00000000 |

OTP: SBPI_RDATA_3 Register

Offset: 0x120

Table 1342.
SBPL_RDATA_3
Register

| Bits | Description | Type | Reset |
|------|---|------|------------|
| 31:0 | Read payload bytes 15..12. Once read, the data in the register will automatically clear to 0. | RO | 0x00000000 |

OTP: SBPI_STATUS Register

Offset: 0x124

Table 1343.
SBPL_STATUS Register

| Bits | Description | Type | Reset |
|-------|---|------|-------|
| 31:24 | Reserved. | - | - |
| 23:16 | MISO : SBPI MISO (master in - slave out): response from SBPI | RO | - |
| 15:13 | Reserved. | - | - |
| 12 | FLAG : SBPI flag | RO | - |
| 11:9 | Reserved. | - | - |
| 8 | INSTR_MISS : Last instruction missed (dropped), as the previous has not finished running | WC | 0x0 |
| 7:5 | Reserved. | - | - |
| 4 | INSTR_DONE : Last instruction done | WC | 0x0 |
| 3:1 | Reserved. | - | - |
| 0 | RDATA_VLD : Read command has returned data | WC | 0x0 |

OTP: USR Register

Offset: 0x128

Description

Controls for APB data read interface (USER interface)

Table 1344. USR Register

| Bits | Description | Type | Reset |
|------|---|------|-------|
| 31:5 | Reserved. | - | - |
| 4 | PD : Power-down; 1 disables current reference. Must be 0 to read data from the OTP. | RW | 0x0 |
| 3:1 | Reserved. | - | - |
| 0 | DCTRL : 1 enables USER interface; 0 disables USER interface (enables SBPI). This bit must be cleared before performing any SBPI access, such as when programming the OTP. The APB data read interface (USER interface) will be inaccessible during this time, and will return a bus error if any read is attempted. | RW | 0x1 |

OTP: DBG Register

Offset: 0x12c

Description

Debug for OTP power-on state machine

Table 1345. DBG Register

| Bits | Description | Type | Reset |
|-------|---|------|-------|
| 31:13 | Reserved. | - | - |
| 12 | CUSTOMER_RMA_FLAG : The chip is in RMA mode | RO | - |
| 11:8 | Reserved. | - | - |
| 7:4 | PSM_STATE : Monitor the PSM FSM's state | RO | - |
| 3 | ROSC_UP : Ring oscillator is up and running | RO | - |
| 2 | ROSC_UP_SEEN : Ring oscillator was seen up and running | WC | 0x0 |
| 1 | BOOT_DONE : PSM boot done status flag | RO | - |
| 0 | PSM_DONE : PSM done status flag | RO | - |

OTP: BIST Register

Offset: 0x134

Description

During BIST, count address locations that have at least one leaky bit

Table 1346. BIST Register

| Bits | Description | Type | Reset |
|-------|--|------|--------|
| 31 | Reserved. | - | - |
| 30 | CNT_FAIL : Flag if the count of address locations with at least one leaky bit exceeds cnt_max | RO | - |
| 29 | CNT_CLR : Clear counter before use | SC | 0x0 |
| 28 | CNT_ENA : Enable the counter before the BIST function is initiated | RW | 0x0 |
| 27:16 | CNT_MAX : The cnt_fail flag will be set if the number of leaky locations exceeds this number | RW | 0xffff |
| 15:13 | Reserved. | - | - |

| Bits | Description | Type | Reset |
|------|--|------|-------|
| 12:0 | CNT : Number of locations that have at least one leaky bit. Note: This count is true only if the BIST was initiated without the fix option. | RO | - |

OTP: CRT_KEY_W0 Register

Offset: 0x138

Table 1347.
CRT_KEY_W0 Register

| Bits | Description | Type | Reset |
|------|--|------|------------|
| 31:0 | Word 0 (bits 31..0) of the key. Write only, read returns 0x0 | WO | 0x00000000 |

OTP: CRT_KEY_W1 Register

Offset: 0x13c

Table 1348.
CRT_KEY_W1 Register

| Bits | Description | Type | Reset |
|------|---|------|------------|
| 31:0 | Word 1 (bits 63..32) of the key. Write only, read returns 0x0 | WO | 0x00000000 |

OTP: CRT_KEY_W2 Register

Offset: 0x140

Table 1349.
CRT_KEY_W2 Register

| Bits | Description | Type | Reset |
|------|---|------|------------|
| 31:0 | Word 2 (bits 95..64) of the key. Write only, read returns 0x0 | WO | 0x00000000 |

OTP: CRT_KEY_W3 Register

Offset: 0x144

Table 1350.
CRT_KEY_W3 Register

| Bits | Description | Type | Reset |
|------|--|------|------------|
| 31:0 | Word 3 (bits 127..96) of the key. Write only, read returns 0x0 | WO | 0x00000000 |

OTP: CRITICAL Register

Offset: 0x148

Description

Quickly check values of critical flags read during boot up

Table 1351. CRITICAL Register

| Bits | Description | Type | Reset |
|-------|-------------------------------|------|-------|
| 31:18 | Reserved. | - | - |
| 17 | RISCV_DISABLE | RO | 0x0 |
| 16 | ARM_DISABLE | RO | 0x0 |
| 15:7 | Reserved. | - | - |
| 6:5 | GLITCH_DETECTOR_SENS | RO | 0x0 |
| 4 | GLITCH_DETECTOR_ENABLE | RO | 0x0 |
| 3 | DEFAULT_ARCHSEL | RO | 0x0 |
| 2 | DEBUG_DISABLE | RO | 0x0 |
| 1 | SECURE_DEBUG_DISABLE | RO | 0x0 |
| 0 | SECURE_BOOT_ENABLE | RO | 0x0 |

OTP: KEY_VALID Register

Offset: 0x14c

Table 1352.
KEY_VALID Register

| Bits | Description | Type | Reset |
|------|---|------|-------|
| 31:8 | Reserved. | - | - |
| 7:0 | Which keys were valid (enrolled) at boot time | RO | 0x00 |

OTP: DEBUGEN Register

Offset: 0x150

Description

Enable a debug feature that has been disabled. Debug features are disabled if one of the relevant critical boot flags is set in OTP (DEBUG_DISABLE or SECURE_DEBUG_DISABLE), OR if a debug key is marked valid in OTP, and the matching key value has not been supplied over SWD.

Specifically:

- The DEBUG_DISABLE flag disables all debug features. This can be fully overridden by setting all bits of this register.
- The SECURE_DEBUG_DISABLE flag disables secure processor debug. This can be fully overridden by setting the PROC0_SECURE and PROC1_SECURE bits of this register.
- If a single debug key has been registered, and no matching key value has been supplied over SWD, then all debug features are disabled. This can be fully overridden by setting all bits of this register.
- If both debug keys have been registered, and the Non-secure key's value (key 6) has been supplied over SWD, secure processor debug is disabled. This can be fully overridden by setting the PROC0_SECURE and PROC1_SECURE bits of this register.
- If both debug keys have been registered, and the Secure key's value (key 5) has been supplied over SWD, then no debug features are disabled by the key mechanism. However, note that in this case debug features may still be disabled by the critical boot flags.

Table 1353. DEBUGEN Register

| Bits | Description | Type | Reset |
|------|---|------|-------|
| 31:9 | Reserved. | - | - |
| 8 | <p>MISC: Enable other debug components. Specifically, the CTI, and the APB-AP used to access the RISC-V Debug Module.</p> <p>These components are disabled by default if either of the debug disable critical flags is set, or if at least one debug key has been enrolled and the least secure of these enrolled key values has not been provided over SWD.</p> | RW | 0x0 |
| 7:4 | Reserved. | - | - |
| 3 | <p>PROC1_SECURE: Permit core 1's Mem-AP to generate Secure accesses, assuming it is enabled at all. Also enable secure debug of core 1 (SPIDEN and SPNIDEN).</p> <p>Secure debug of core 1 is disabled by default if the secure debug disable critical flag is set, or if at least one debug key has been enrolled and the most secure of these enrolled key values not yet provided over SWD.</p> | RW | 0x0 |

| Bits | Description | Type | Reset |
|------|--|------|-------|
| 2 | <p>PROC1: Enable core 1's Mem-AP if it is currently disabled.</p> <p>The Mem-AP is disabled by default if either of the debug disable critical flags is set, or if at least one debug key has been enrolled and the least secure of these enrolled key values has not been provided over SWD.</p> | RW | 0x0 |
| 1 | <p>PROC0_SECURE: Permit core 0's Mem-AP to generate Secure accesses, assuming it is enabled at all. Also enable secure debug of core 0 (SPIDEN and SPNIDEN).</p> <p>Secure debug of core 0 is disabled by default if the secure debug disable critical flag is set, or if at least one debug key has been enrolled and the most secure of these enrolled key values not yet provided over SWD.</p> <p>Note also that core Mem-APs are unconditionally disabled when a core is switched to RISC-V mode (by setting the ARCHSEL bit and performing a warm reset of the core).</p> | RW | 0x0 |
| 0 | <p>PROC0: Enable core 0's Mem-AP if it is currently disabled.</p> <p>The Mem-AP is disabled by default if either of the debug disable critical flags is set, or if at least one debug key has been enrolled and the least secure of these enrolled key values has not been provided over SWD.</p> <p>Note also that core Mem-APs are unconditionally disabled when a core is switched to RISC-V mode (by setting the ARCHSEL bit and performing a warm reset of the core).</p> | RW | 0x0 |

OTP: DEBUGEN_LOCK Register

Offset: 0x154

Description

Write 1s to lock corresponding bits in DEBUGEN. This register is reset by the processor cold reset.

Table 1354.
DEBUGEN_LOCK
Register

| Bits | Description | Type | Reset |
|------|---|------|-------|
| 31:9 | Reserved. | - | - |
| 8 | MISC : Write 1 to lock the MISC bit of DEBUGEN. Can't be cleared once set. | RW | 0x0 |
| 7:4 | Reserved. | - | - |
| 3 | PROC1_SECURE : Write 1 to lock the PROC1_SECURE bit of DEBUGEN. Can't be cleared once set. | RW | 0x0 |
| 2 | PROC1 : Write 1 to lock the PROC1 bit of DEBUGEN. Can't be cleared once set. | RW | 0x0 |
| 1 | PROC0_SECURE : Write 1 to lock the PROC0_SECURE bit of DEBUGEN. Can't be cleared once set. | RW | 0x0 |
| 0 | PROC0 : Write 1 to lock the PROC0 bit of DEBUGEN. Can't be cleared once set. | RW | 0x0 |

OTP: ARCHSEL Register

Offset: 0x158

Description

Architecture select (Arm/RISC-V). The default and allowable values of this register are constrained by the critical boot flags.

This register is reset by the earliest reset in the switched core power domain (before a processor cold reset).

Cores sample their architecture select signal on a warm reset. The source of the warm reset could be the system power-up state machine, the watchdog timer, Arm SYSRESETREQ or from RISC-V hartresetreq.

Note that when an Arm core is deselected, its cold reset domain is also held in reset, since in particular the SYSRESETREQ bit becomes inaccessible once the core is deselected. Note also the RISC-V cores do not have a cold reset domain, since their corresponding controls are located in the Debug Module.

Table 1355. ARCHSEL Register

| Bits | Description | Type | Reset |
|------|--|------|-------|
| 31:2 | Reserved. | - | - |
| 1 | CORE1 : Select architecture for core 1. | RW | 0x0 |
| | Enumerated values: | | |
| | 0x0 → ARM: Switch core 1 to Arm (Cortex-M33) | | |
| | 0x1 → RISCV: Switch core 1 to RISC-V (Hazard3) | | |
| 0 | CORE0 : Select architecture for core 0. | RW | 0x0 |
| | Enumerated values: | | |
| | 0x0 → ARM: Switch core 0 to Arm (Cortex-M33) | | |
| | 0x1 → RISCV: Switch core 0 to RISC-V (Hazard3) | | |

OTP: ARCHSEL_STATUS Register

Offset: 0x15c

Description

Get the current architecture select state of each core. Cores sample the current value of the ARCHSEL register when their warm reset is released, at which point the corresponding bit in this register will also update.

Table 1356. ARCHSEL_STATUS Register

| Bits | Description | Type | Reset |
|------|--|------|-------|
| 31:2 | Reserved. | - | - |
| 1 | CORE1 : Current architecture for core 0. Updated on processor warm reset. | RO | 0x0 |
| | Enumerated values: | | |
| | 0x0 → ARM: Core 1 is currently Arm (Cortex-M33) | | |
| | 0x1 → RISCV: Core 1 is currently RISC-V (Hazard3) | | |
| 0 | CORE0 : Current architecture for core 0. Updated on processor warm reset. | RO | 0x0 |
| | Enumerated values: | | |
| | 0x0 → ARM: Core 0 is currently Arm (Cortex-M33) | | |
| | 0x1 → RISCV: Core 0 is currently RISC-V (Hazard3) | | |

OTP: BOOTDIS Register

Offset: 0x160

Description

Tell the bootrom to ignore scratch register boot vectors (both power manager and watchdog) on the next power up.

If an early boot stage has soft-locked some OTP pages in order to protect their contents from later stages, there is a risk that Secure code running at a later stage can unlock the pages by performing a watchdog reset that resets the OTP.

This register can be used to ensure that the bootloader runs as normal on the next power up, preventing Secure code at

a later stage from accessing OTP in its unlocked state.

Should be used in conjunction with the power manager BOOTDIS register.

Table 1357. BOOTDIS Register

| Bits | Description | Type | Reset |
|------|---|------|-------|
| 31:2 | Reserved. | - | - |
| 1 | <p>NEXT: This flag always ORs writes into its current contents. It can be set but not cleared by software.</p> <p>The BOOTDIS_NEXT bit is OR'd into the BOOTDIS_NOW bit when the core is powered down. Simultaneously, the BOOTDIS_NEXT bit is cleared. Setting this bit means that the boot scratch registers will be ignored following the next core power down.</p> <p>This flag should be set by an early boot stage that has soft-locked OTP pages, to prevent later stages from unlocking it via watchdog reset.</p> | RW | 0x0 |
| 0 | <p>NOW: When the core is powered down, the current value of BOOTDIS_NEXT is OR'd into BOOTDIS_NOW, and BOOTDIS_NEXT is cleared.</p> <p>The bootrom checks this flag before reading the boot scratch registers. If it is set, the bootrom clears it, and ignores the BOOT registers. This prevents Secure software from diverting the boot path before a bootloader has had the chance to soft lock OTP pages containing sensitive data.</p> | WC | 0x0 |

OTP: INTR Register

Offset: 0x164

Description

Raw Interrupts

Table 1358. INTR Register

| Bits | Description | Type | Reset |
|------|------------------|------|-------|
| 31:5 | Reserved. | - | - |
| 4 | APB_RD_NSEC_FAIL | WC | 0x0 |
| 3 | APB_RD_SEC_FAIL | WC | 0x0 |
| 2 | APB_DCTRL_FAIL | WC | 0x0 |
| 1 | SBPI_WR_FAIL | WC | 0x0 |
| 0 | SBPI_FLAG_N | RO | 0x0 |

OTP: INTE Register

Offset: 0x168

Description

Interrupt Enable

Table 1359. INTE Register

| Bits | Description | Type | Reset |
|------|------------------|------|-------|
| 31:5 | Reserved. | - | - |
| 4 | APB_RD_NSEC_FAIL | RW | 0x0 |
| 3 | APB_RD_SEC_FAIL | RW | 0x0 |
| 2 | APB_DCTRL_FAIL | RW | 0x0 |

| Bits | Description | Type | Reset |
|------|--------------|------|-------|
| 1 | SBPI_WR_FAIL | RW | 0x0 |
| 0 | SBPI_FLAG_N | RW | 0x0 |

OTP: INTF Register

Offset: 0x16c

Description

Interrupt Force

Table 1360. INTF Register

| Bits | Description | Type | Reset |
|------|------------------|------|-------|
| 31:5 | Reserved. | - | - |
| 4 | APB_RD_NSEC_FAIL | RW | 0x0 |
| 3 | APB_RD_SEC_FAIL | RW | 0x0 |
| 2 | APB_DCTRL_FAIL | RW | 0x0 |
| 1 | SBPI_WR_FAIL | RW | 0x0 |
| 0 | SBPI_FLAG_N | RW | 0x0 |

OTP: INTS Register

Offset: 0x170

Description

Interrupt status after masking & forcing

Table 1361. INTS Register

| Bits | Description | Type | Reset |
|------|------------------|------|-------|
| 31:5 | Reserved. | - | - |
| 4 | APB_RD_NSEC_FAIL | RO | 0x0 |
| 3 | APB_RD_SEC_FAIL | RO | 0x0 |
| 2 | APB_DCTRL_FAIL | RO | 0x0 |
| 1 | SBPI_WR_FAIL | RO | 0x0 |
| 0 | SBPI_FLAG_N | RO | 0x0 |

13.10. Predefined OTP data locations

This section lists OTP locations used by either the hardware (particularly the OTP power-on state machine), the bootrom, or both. This listing is for RP2350 silicon revision A2.

OTP locations are listed by row number, not by address. When read through an ECC alias, OTP rows are spaced two bytes apart in the system address space; when read through a raw alias, OTP rows are four bytes apart. Therefore the row numbers given here should be multiplied by two or four appropriately when reading OTP contents directly from software. The OTP APIs provided by the bootrom use OTP row numbers directly, so this row-to-byte-address conversion is not necessary when accessing OTP through these APIs.

For normal (non-guarded) reads, you can access error-corrected content starting at `OTP_DATA_BASE` (`0x40130000`), and raw content starting at `OTP_DATA_RAW_BASE` (`0x40134000`). The register listings below indicate whether or not a given OTP row contains error-corrected contents. OTP never mixes error-corrected and non-error-corrected content in the same row.

All predefined data fields have some form of redundancy. Where ECC is not viable, for instance because a location is expected to have individual bits programmed at different times, best-of-three majority vote is used instead. The only exception to this is the critical hardware flags in [CRIT0](#) and [CRIT1](#). These flags use a three-of-eight vote encoding for each individual flag: the flag is considered set when at least three bits are set out of the eight redundant bit locations. The description for each row indicates the type of redundancy.

Pages 3 through 60 (rows [0x0c0](#) through [0xf3f](#)) are free for arbitrary user content such as OTP-resident bootloaders, and Raspberry Pi will avoid allocating any of these locations for bootrom configuration if possible. This is a total of 7424 bytes of ECC-protected content.

Page 2 (rows [0x080](#) through [0x0bf](#)) is also available for user content if secure boot is disabled. It is partially available if secure boot is enabled and fewer than four boot key fingerprints are registered. This is an additional 128 ECC bytes potentially available for user content.

Pages 0, 1, and 61 through 63 are reserved for future use by Raspberry Pi. Software should avoid allocating content in these regions, even if they currently have no defined use in this data listing.

Table 1362. List of OTP_DATA registers

| Offset | Name | Info |
|--------|-------------------------|--|
| 0x000 | CHIPID0 | Bits 15:0 of public device ID. (ECC) The CHIPID0..3 rows contain a 64-bit random identifier for this chip, which can be read from the USB bootloader PICOBOOT interface or from the <code>get_sys_info</code> ROM API. The number of random bits makes the occurrence of twins exceedingly unlikely: for example, a fleet of a hundred million devices has a 99.97% probability of no twinned IDs. This is estimated to be lower than the occurrence of process errors in the assignment of sequential random IDs, and for practical purposes CHIPID may be treated as unique. |
| 0x001 | CHIPID1 | Bits 31:16 of public device ID (ECC) |
| 0x002 | CHIPID2 | Bits 47:32 of public device ID (ECC) |
| 0x003 | CHIPID3 | Bits 63:48 of public device ID (ECC) |
| 0x004 | RANDID0 | Bits 15:0 of private per-device random number (ECC) The RANDID0..7 rows form a 128-bit random number generated during device test. This ID is not exposed through the USB PICOBOOT <code>GET_INFO</code> command or the ROM <code>get_sys_info()</code> API. However note that the USB PICOBOOT OTP access point can read the entirety of page 0, so this value is not meaningfully private unless the USB PICOBOOT interface is disabled via the <code>DISABLE_BOOTSEL_USB_PICOBOOT_IFC</code> flag in <code>BOOT_FLAGS0</code> . |
| 0x005 | RANDID1 | Bits 31:16 of private per-device random number (ECC) |
| 0x006 | RANDID2 | Bits 47:32 of private per-device random number (ECC) |
| 0x007 | RANDID3 | Bits 63:48 of private per-device random number (ECC) |
| 0x008 | RANDID4 | Bits 79:64 of private per-device random number (ECC) |
| 0x009 | RANDID5 | Bits 95:80 of private per-device random number (ECC) |
| 0x00a | RANDID6 | Bits 111:96 of private per-device random number (ECC) |
| 0x00b | RANDID7 | Bits 127:112 of private per-device random number (ECC) |

| Offset | Name | Info |
|--------|----------------|---|
| 0x010 | ROSC_CALIB | Ring oscillator frequency in kHz, measured during manufacturing (ECC) This is measured at 1.1 V, at room temperature, with the ROSC configuration registers in their reset state. |
| 0x011 | LPOSC_CALIB | Low-power oscillator frequency in Hz, measured during manufacturing (ECC) This is measured at 1.1V, at room temperature, with the LPOSC trim register in its reset state. |
| 0x018 | NUM_GPIOS | The number of main user GPIOs (bank 0). Should read 48 in the QFN80 package, and 30 in the QFN60 package. (ECC) |
| 0x036 | INFO_CRC0 | Lower 16 bits of CRC32 of OTP addresses 0x00 through 0x6b (polynomial 0x4c11db7, input reflected, output reflected, seed all-ones, final XOR all-ones) (ECC) |
| 0x037 | INFO_CRC1 | Upper 16 bits of CRC32 of OTP addresses 0x00 through 0x6b (ECC) |
| 0x038 | CRIT0 | Page 0 critical boot flags (RBIT-8) |
| 0x039 | CRIT0_R1 | Redundant copy of CRIT0 |
| 0x03a | CRIT0_R2 | Redundant copy of CRIT0 |
| 0x03b | CRIT0_R3 | Redundant copy of CRIT0 |
| 0x03c | CRIT0_R4 | Redundant copy of CRIT0 |
| 0x03d | CRIT0_R5 | Redundant copy of CRIT0 |
| 0x03e | CRIT0_R6 | Redundant copy of CRIT0 |
| 0x03f | CRIT0_R7 | Redundant copy of CRIT0 |
| 0x040 | CRIT1 | Page 1 critical boot flags (RBIT-8) |
| 0x041 | CRIT1_R1 | Redundant copy of CRIT1 |
| 0x042 | CRIT1_R2 | Redundant copy of CRIT1 |
| 0x043 | CRIT1_R3 | Redundant copy of CRIT1 |
| 0x044 | CRIT1_R4 | Redundant copy of CRIT1 |
| 0x045 | CRIT1_R5 | Redundant copy of CRIT1 |
| 0x046 | CRIT1_R6 | Redundant copy of CRIT1 |
| 0x047 | CRIT1_R7 | Redundant copy of CRIT1 |
| 0x048 | BOOT_FLAGS0 | Disable/Enable boot paths/features in the RP2350 mask ROM. Disables always supersede enables. Enables are provided where there are other configurations in OTP that must be valid. (RBIT-3) |
| 0x049 | BOOT_FLAGS0_R1 | Redundant copy of BOOT_FLAGS0 |
| 0x04a | BOOT_FLAGS0_R2 | Redundant copy of BOOT_FLAGS0 |
| 0x04b | BOOT_FLAGS1 | Disable/Enable boot paths/features in the RP2350 mask ROM. Disables always supersede enables. Enables are provided where there are other configurations in OTP that must be valid. (RBIT-3) |

| Offset | Name | Info |
|--------|---|--|
| 0x04c | BOOT_FLAGS1_R1 | Redundant copy of BOOT_FLAGS1 |
| 0x04d | BOOT_FLAGS1_R2 | Redundant copy of BOOT_FLAGS1 |
| 0x04e | DEFAULT_BOOT_VERSION0 | Default boot version thermometer counter, bits 23:0 (RBIT-3) |
| 0x04f | DEFAULT_BOOT_VERSION0_R1 | Redundant copy of DEFAULT_BOOT_VERSION0 |
| 0x050 | DEFAULT_BOOT_VERSION0_R2 | Redundant copy of DEFAULT_BOOT_VERSION0 |
| 0x051 | DEFAULT_BOOT_VERSION1 | Default boot version thermometer counter, bits 47:24 (RBIT-3) |
| 0x052 | DEFAULT_BOOT_VERSION1_R1 | Redundant copy of DEFAULT_BOOT_VERSION1 |
| 0x053 | DEFAULT_BOOT_VERSION1_R2 | Redundant copy of DEFAULT_BOOT_VERSION1 |
| 0x054 | FLASH_DEVINFO | Stores information about external flash device(s). (ECC) Assumed to be valid if BOOT_FLAGS0_FLASH_DEVINFO_ENABLE is set. |
| 0x055 | FLASH_PARTITION_SLOT_SIZE | Gap between partition table slot 0 and slot 1 at the start of flash (the default size is 4096 bytes) (ECC) Enabled by the OVERRIDE_FLASH_PARTITION_SLOT_SIZE bit in BOOT_FLAGS, the size is 4096 * (value + 1) |
| 0x056 | BOOTSEL_LED_CFG | Pin configuration for LED status, used by USB bootloader. (ECC) Must be valid if BOOT_FLAGS0_ENABLE_BOOTSEL_LED is set. |
| 0x057 | BOOTSEL_PLL_CFG | Optional PLL configuration for BOOTSEL mode. (ECC) |
| 0x058 | BOOTSEL_XOSC_CFG | Non-default crystal oscillator configuration for the USB bootloader. (ECC) |
| 0x059 | USB_BOOT_FLAGS | USB boot specific feature flags (RBIT-3) |
| 0x05a | USB_BOOT_FLAGS_R1 | Redundant copy of USB_BOOT_FLAGS |
| 0x05b | USB_BOOT_FLAGS_R2 | Redundant copy of USB_BOOT_FLAGS |
| 0x05c | USB_WHITE_LABEL_ADDR | Row index of the USB_WHITE_LABEL structure within OTP (ECC) |
| 0x05e | OTPBOOT_SRC | OTP start row for the OTP boot image. (ECC) |
| 0x05f | OTPBOOT_LEN | Length in rows of the OTP boot image. (ECC) |
| 0x060 | OTPBOOT_DST0 | Bits 15:0 of the OTP boot image load destination (and entry point). (ECC) |
| 0x061 | OTPBOOT_DST1 | Bits 31:16 of the OTP boot image load destination (and entry point). (ECC) |
| 0x080 | BOOTKEY0_0 | Bits 15:0 of SHA-256 hash of boot key 0 (ECC) |
| 0x081 | BOOTKEY0_1 | Bits 31:16 of SHA-256 hash of boot key 0 (ECC) |
| 0x082 | BOOTKEY0_2 | Bits 47:32 of SHA-256 hash of boot key 0 (ECC) |
| 0x083 | BOOTKEY0_3 | Bits 63:48 of SHA-256 hash of boot key 0 (ECC) |
| 0x084 | BOOTKEY0_4 | Bits 79:64 of SHA-256 hash of boot key 0 (ECC) |
| 0x085 | BOOTKEY0_5 | Bits 95:80 of SHA-256 hash of boot key 0 (ECC) |
| 0x086 | BOOTKEY0_6 | Bits 111:96 of SHA-256 hash of boot key 0 (ECC) |
| 0x087 | BOOTKEY0_7 | Bits 127:112 of SHA-256 hash of boot key 0 (ECC) |

| Offset | Name | Info |
|--------|-----------------------------|--|
| 0x088 | BOOTKEY0_8 | Bits 143:128 of SHA-256 hash of boot key 0 (ECC) |
| 0x089 | BOOTKEY0_9 | Bits 159:144 of SHA-256 hash of boot key 0 (ECC) |
| 0x08a | BOOTKEY0_10 | Bits 175:160 of SHA-256 hash of boot key 0 (ECC) |
| 0x08b | BOOTKEY0_11 | Bits 191:176 of SHA-256 hash of boot key 0 (ECC) |
| 0x08c | BOOTKEY0_12 | Bits 207:192 of SHA-256 hash of boot key 0 (ECC) |
| 0x08d | BOOTKEY0_13 | Bits 223:208 of SHA-256 hash of boot key 0 (ECC) |
| 0x08e | BOOTKEY0_14 | Bits 239:224 of SHA-256 hash of boot key 0 (ECC) |
| 0x08f | BOOTKEY0_15 | Bits 255:240 of SHA-256 hash of boot key 0 (ECC) |
| 0x090 | BOOTKEY1_0 | Bits 15:0 of SHA-256 hash of boot key 1 (ECC) |
| 0x091 | BOOTKEY1_1 | Bits 31:16 of SHA-256 hash of boot key 1 (ECC) |
| 0x092 | BOOTKEY1_2 | Bits 47:32 of SHA-256 hash of boot key 1 (ECC) |
| 0x093 | BOOTKEY1_3 | Bits 63:48 of SHA-256 hash of boot key 1 (ECC) |
| 0x094 | BOOTKEY1_4 | Bits 79:64 of SHA-256 hash of boot key 1 (ECC) |
| 0x095 | BOOTKEY1_5 | Bits 95:80 of SHA-256 hash of boot key 1 (ECC) |
| 0x096 | BOOTKEY1_6 | Bits 111:96 of SHA-256 hash of boot key 1 (ECC) |
| 0x097 | BOOTKEY1_7 | Bits 127:112 of SHA-256 hash of boot key 1 (ECC) |
| 0x098 | BOOTKEY1_8 | Bits 143:128 of SHA-256 hash of boot key 1 (ECC) |
| 0x099 | BOOTKEY1_9 | Bits 159:144 of SHA-256 hash of boot key 1 (ECC) |
| 0x09a | BOOTKEY1_10 | Bits 175:160 of SHA-256 hash of boot key 1 (ECC) |
| 0x09b | BOOTKEY1_11 | Bits 191:176 of SHA-256 hash of boot key 1 (ECC) |
| 0x09c | BOOTKEY1_12 | Bits 207:192 of SHA-256 hash of boot key 1 (ECC) |
| 0x09d | BOOTKEY1_13 | Bits 223:208 of SHA-256 hash of boot key 1 (ECC) |
| 0x09e | BOOTKEY1_14 | Bits 239:224 of SHA-256 hash of boot key 1 (ECC) |
| 0x09f | BOOTKEY1_15 | Bits 255:240 of SHA-256 hash of boot key 1 (ECC) |
| 0x0a0 | BOOTKEY2_0 | Bits 15:0 of SHA-256 hash of boot key 2 (ECC) |
| 0x0a1 | BOOTKEY2_1 | Bits 31:16 of SHA-256 hash of boot key 2 (ECC) |
| 0x0a2 | BOOTKEY2_2 | Bits 47:32 of SHA-256 hash of boot key 2 (ECC) |
| 0x0a3 | BOOTKEY2_3 | Bits 63:48 of SHA-256 hash of boot key 2 (ECC) |
| 0x0a4 | BOOTKEY2_4 | Bits 79:64 of SHA-256 hash of boot key 2 (ECC) |
| 0x0a5 | BOOTKEY2_5 | Bits 95:80 of SHA-256 hash of boot key 2 (ECC) |
| 0x0a6 | BOOTKEY2_6 | Bits 111:96 of SHA-256 hash of boot key 2 (ECC) |
| 0x0a7 | BOOTKEY2_7 | Bits 127:112 of SHA-256 hash of boot key 2 (ECC) |
| 0x0a8 | BOOTKEY2_8 | Bits 143:128 of SHA-256 hash of boot key 2 (ECC) |
| 0x0a9 | BOOTKEY2_9 | Bits 159:144 of SHA-256 hash of boot key 2 (ECC) |
| 0x0aa | BOOTKEY2_10 | Bits 175:160 of SHA-256 hash of boot key 2 (ECC) |
| 0x0ab | BOOTKEY2_11 | Bits 191:176 of SHA-256 hash of boot key 2 (ECC) |

| Offset | Name | Info |
|--------|-----------------------------|--|
| 0x0ac | BOOTKEY2_12 | Bits 207:192 of SHA-256 hash of boot key 2 (ECC) |
| 0x0ad | BOOTKEY2_13 | Bits 223:208 of SHA-256 hash of boot key 2 (ECC) |
| 0x0ae | BOOTKEY2_14 | Bits 239:224 of SHA-256 hash of boot key 2 (ECC) |
| 0x0af | BOOTKEY2_15 | Bits 255:240 of SHA-256 hash of boot key 2 (ECC) |
| 0x0b0 | BOOTKEY3_0 | Bits 15:0 of SHA-256 hash of boot key 3 (ECC) |
| 0x0b1 | BOOTKEY3_1 | Bits 31:16 of SHA-256 hash of boot key 3 (ECC) |
| 0x0b2 | BOOTKEY3_2 | Bits 47:32 of SHA-256 hash of boot key 3 (ECC) |
| 0x0b3 | BOOTKEY3_3 | Bits 63:48 of SHA-256 hash of boot key 3 (ECC) |
| 0x0b4 | BOOTKEY3_4 | Bits 79:64 of SHA-256 hash of boot key 3 (ECC) |
| 0x0b5 | BOOTKEY3_5 | Bits 95:80 of SHA-256 hash of boot key 3 (ECC) |
| 0x0b6 | BOOTKEY3_6 | Bits 111:96 of SHA-256 hash of boot key 3 (ECC) |
| 0x0b7 | BOOTKEY3_7 | Bits 127:112 of SHA-256 hash of boot key 3 (ECC) |
| 0x0b8 | BOOTKEY3_8 | Bits 143:128 of SHA-256 hash of boot key 3 (ECC) |
| 0x0b9 | BOOTKEY3_9 | Bits 159:144 of SHA-256 hash of boot key 3 (ECC) |
| 0x0ba | BOOTKEY3_10 | Bits 175:160 of SHA-256 hash of boot key 3 (ECC) |
| 0x0bb | BOOTKEY3_11 | Bits 191:176 of SHA-256 hash of boot key 3 (ECC) |
| 0x0bc | BOOTKEY3_12 | Bits 207:192 of SHA-256 hash of boot key 3 (ECC) |
| 0x0bd | BOOTKEY3_13 | Bits 223:208 of SHA-256 hash of boot key 3 (ECC) |
| 0x0be | BOOTKEY3_14 | Bits 239:224 of SHA-256 hash of boot key 3 (ECC) |
| 0x0bf | BOOTKEY3_15 | Bits 255:240 of SHA-256 hash of boot key 3 (ECC) |
| 0xf48 | KEY1_0 | Bits 15:0 of OTP access key 1 (ECC) |
| 0xf49 | KEY1_1 | Bits 31:16 of OTP access key 1 (ECC) |
| 0xf4a | KEY1_2 | Bits 47:32 of OTP access key 1 (ECC) |
| 0xf4b | KEY1_3 | Bits 63:48 of OTP access key 1 (ECC) |
| 0xf4c | KEY1_4 | Bits 79:64 of OTP access key 1 (ECC) |
| 0xf4d | KEY1_5 | Bits 95:80 of OTP access key 1 (ECC) |
| 0xf4e | KEY1_6 | Bits 111:96 of OTP access key 1 (ECC) |
| 0xf4f | KEY1_7 | Bits 127:112 of OTP access key 1 (ECC) |
| 0xf50 | KEY2_0 | Bits 15:0 of OTP access key 2 (ECC) |
| 0xf51 | KEY2_1 | Bits 31:16 of OTP access key 2 (ECC) |
| 0xf52 | KEY2_2 | Bits 47:32 of OTP access key 2 (ECC) |
| 0xf53 | KEY2_3 | Bits 63:48 of OTP access key 2 (ECC) |
| 0xf54 | KEY2_4 | Bits 79:64 of OTP access key 2 (ECC) |
| 0xf55 | KEY2_5 | Bits 95:80 of OTP access key 2 (ECC) |
| 0xf56 | KEY2_6 | Bits 111:96 of OTP access key 2 (ECC) |
| 0xf57 | KEY2_7 | Bits 127:112 of OTP access key 2 (ECC) |

| Offset | Name | Info |
|--------|------------|--|
| 0xf58 | KEY3_0 | Bits 15:0 of OTP access key 3 (ECC) |
| 0xf59 | KEY3_1 | Bits 31:16 of OTP access key 3 (ECC) |
| 0xf5a | KEY3_2 | Bits 47:32 of OTP access key 3 (ECC) |
| 0xf5b | KEY3_3 | Bits 63:48 of OTP access key 3 (ECC) |
| 0xf5c | KEY3_4 | Bits 79:64 of OTP access key 3 (ECC) |
| 0xf5d | KEY3_5 | Bits 95:80 of OTP access key 3 (ECC) |
| 0xf5e | KEY3_6 | Bits 111:96 of OTP access key 3 (ECC) |
| 0xf5f | KEY3_7 | Bits 127:112 of OTP access key 3 (ECC) |
| 0xf60 | KEY4_0 | Bits 15:0 of OTP access key 4 (ECC) |
| 0xf61 | KEY4_1 | Bits 31:16 of OTP access key 4 (ECC) |
| 0xf62 | KEY4_2 | Bits 47:32 of OTP access key 4 (ECC) |
| 0xf63 | KEY4_3 | Bits 63:48 of OTP access key 4 (ECC) |
| 0xf64 | KEY4_4 | Bits 79:64 of OTP access key 4 (ECC) |
| 0xf65 | KEY4_5 | Bits 95:80 of OTP access key 4 (ECC) |
| 0xf66 | KEY4_6 | Bits 111:96 of OTP access key 4 (ECC) |
| 0xf67 | KEY4_7 | Bits 127:112 of OTP access key 4 (ECC) |
| 0xf68 | KEY5_0 | Bits 15:0 of OTP access key 5 (ECC) |
| 0xf69 | KEY5_1 | Bits 31:16 of OTP access key 5 (ECC) |
| 0xf6a | KEY5_2 | Bits 47:32 of OTP access key 5 (ECC) |
| 0xf6b | KEY5_3 | Bits 63:48 of OTP access key 5 (ECC) |
| 0xf6c | KEY5_4 | Bits 79:64 of OTP access key 5 (ECC) |
| 0xf6d | KEY5_5 | Bits 95:80 of OTP access key 5 (ECC) |
| 0xf6e | KEY5_6 | Bits 111:96 of OTP access key 5 (ECC) |
| 0xf6f | KEY5_7 | Bits 127:112 of OTP access key 5 (ECC) |
| 0xf70 | KEY6_0 | Bits 15:0 of OTP access key 6 (ECC) |
| 0xf71 | KEY6_1 | Bits 31:16 of OTP access key 6 (ECC) |
| 0xf72 | KEY6_2 | Bits 47:32 of OTP access key 6 (ECC) |
| 0xf73 | KEY6_3 | Bits 63:48 of OTP access key 6 (ECC) |
| 0xf74 | KEY6_4 | Bits 79:64 of OTP access key 6 (ECC) |
| 0xf75 | KEY6_5 | Bits 95:80 of OTP access key 6 (ECC) |
| 0xf76 | KEY6_6 | Bits 111:96 of OTP access key 6 (ECC) |
| 0xf77 | KEY6_7 | Bits 127:112 of OTP access key 6 (ECC) |
| 0xf79 | KEY1_VALID | Valid flag for key 1. |
| 0xf7a | KEY2_VALID | Valid flag for key 2. |
| 0xf7b | KEY3_VALID | Valid flag for key 3. |
| 0xf7c | KEY4_VALID | Valid flag for key 4. |

| Offset | Name | Info |
|--------|--------------|---|
| 0xf7d | KEY5_VALID | Valid flag for key 5. |
| 0xf7e | KEY6_VALID | Valid flag for key 6. |
| 0xf80 | PAGE0_LOCK0 | Lock configuration LSBs for page 0 (rows 0x0 through 0x3f). |
| 0xf81 | PAGE0_LOCK1 | Lock configuration MSBs for page 0 (rows 0x0 through 0x3f). |
| 0xf82 | PAGE1_LOCK0 | Lock configuration LSBs for page 1 (rows 0x40 through 0x7f). |
| 0xf83 | PAGE1_LOCK1 | Lock configuration MSBs for page 1 (rows 0x40 through 0x7f). |
| 0xf84 | PAGE2_LOCK0 | Lock configuration LSBs for page 2 (rows 0x80 through 0xbf). |
| 0xf85 | PAGE2_LOCK1 | Lock configuration MSBs for page 2 (rows 0x80 through 0xbf). |
| 0xf86 | PAGE3_LOCK0 | Lock configuration LSBs for page 3 (rows 0xc0 through 0xff). |
| 0xf87 | PAGE3_LOCK1 | Lock configuration MSBs for page 3 (rows 0xc0 through 0xff). |
| 0xf88 | PAGE4_LOCK0 | Lock configuration LSBs for page 4 (rows 0x100 through 0x13f). |
| 0xf89 | PAGE4_LOCK1 | Lock configuration MSBs for page 4 (rows 0x100 through 0x13f). |
| 0xf8a | PAGE5_LOCK0 | Lock configuration LSBs for page 5 (rows 0x140 through 0x17f). |
| 0xf8b | PAGE5_LOCK1 | Lock configuration MSBs for page 5 (rows 0x140 through 0x17f). |
| 0xf8c | PAGE6_LOCK0 | Lock configuration LSBs for page 6 (rows 0x180 through 0x1bf). |
| 0xf8d | PAGE6_LOCK1 | Lock configuration MSBs for page 6 (rows 0x180 through 0x1bf). |
| 0xf8e | PAGE7_LOCK0 | Lock configuration LSBs for page 7 (rows 0x1c0 through 0x1ff). |
| 0xf8f | PAGE7_LOCK1 | Lock configuration MSBs for page 7 (rows 0x1c0 through 0x1ff). |
| 0xf90 | PAGE8_LOCK0 | Lock configuration LSBs for page 8 (rows 0x200 through 0x23f). |
| 0xf91 | PAGE8_LOCK1 | Lock configuration MSBs for page 8 (rows 0x200 through 0x23f). |
| 0xf92 | PAGE9_LOCK0 | Lock configuration LSBs for page 9 (rows 0x240 through 0x27f). |
| 0xf93 | PAGE9_LOCK1 | Lock configuration MSBs for page 9 (rows 0x240 through 0x27f). |
| 0xf94 | PAGE10_LOCK0 | Lock configuration LSBs for page 10 (rows 0x280 through 0x2bf). |
| 0xf95 | PAGE10_LOCK1 | Lock configuration MSBs for page 10 (rows 0x280 through 0x2bf). |
| 0xf96 | PAGE11_LOCK0 | Lock configuration LSBs for page 11 (rows 0x2c0 through 0x2ff). |
| 0xf97 | PAGE11_LOCK1 | Lock configuration MSBs for page 11 (rows 0x2c0 through 0x2ff). |
| 0xf98 | PAGE12_LOCK0 | Lock configuration LSBs for page 12 (rows 0x300 through 0x33f). |
| 0xf99 | PAGE12_LOCK1 | Lock configuration MSBs for page 12 (rows 0x300 through 0x33f). |
| 0xf9a | PAGE13_LOCK0 | Lock configuration LSBs for page 13 (rows 0x340 through 0x37f). |
| 0xf9b | PAGE13_LOCK1 | Lock configuration MSBs for page 13 (rows 0x340 through 0x37f). |

| Offset | Name | Info |
|--------|--------------|---|
| 0xf9c | PAGE14_LOCK0 | Lock configuration LSBs for page 14 (rows 0x380 through 0x3bf). |
| 0xf9d | PAGE14_LOCK1 | Lock configuration MSBs for page 14 (rows 0x380 through 0x3bf). |
| 0xf9e | PAGE15_LOCK0 | Lock configuration LSBs for page 15 (rows 0x3c0 through 0x3ff). |
| 0xf9f | PAGE15_LOCK1 | Lock configuration MSBs for page 15 (rows 0x3c0 through 0x3ff). |
| 0xfa0 | PAGE16_LOCK0 | Lock configuration LSBs for page 16 (rows 0x400 through 0x43f). |
| 0xfa1 | PAGE16_LOCK1 | Lock configuration MSBs for page 16 (rows 0x400 through 0x43f). |
| 0xfa2 | PAGE17_LOCK0 | Lock configuration LSBs for page 17 (rows 0x440 through 0x47f). |
| 0xfa3 | PAGE17_LOCK1 | Lock configuration MSBs for page 17 (rows 0x440 through 0x47f). |
| 0xfa4 | PAGE18_LOCK0 | Lock configuration LSBs for page 18 (rows 0x480 through 0x4bf). |
| 0xfa5 | PAGE18_LOCK1 | Lock configuration MSBs for page 18 (rows 0x480 through 0x4bf). |
| 0xfa6 | PAGE19_LOCK0 | Lock configuration LSBs for page 19 (rows 0x4c0 through 0x4ff). |
| 0xfa7 | PAGE19_LOCK1 | Lock configuration MSBs for page 19 (rows 0x4c0 through 0x4ff). |
| 0xfa8 | PAGE20_LOCK0 | Lock configuration LSBs for page 20 (rows 0x500 through 0x53f). |
| 0xfa9 | PAGE20_LOCK1 | Lock configuration MSBs for page 20 (rows 0x500 through 0x53f). |
| 0xfaa | PAGE21_LOCK0 | Lock configuration LSBs for page 21 (rows 0x540 through 0x57f). |
| 0xfab | PAGE21_LOCK1 | Lock configuration MSBs for page 21 (rows 0x540 through 0x57f). |
| 0xfac | PAGE22_LOCK0 | Lock configuration LSBs for page 22 (rows 0x580 through 0x5bf). |
| 0xfad | PAGE22_LOCK1 | Lock configuration MSBs for page 22 (rows 0x580 through 0x5bf). |
| 0xfae | PAGE23_LOCK0 | Lock configuration LSBs for page 23 (rows 0x5c0 through 0x5ff). |
| 0xfaf | PAGE23_LOCK1 | Lock configuration MSBs for page 23 (rows 0x5c0 through 0x5ff). |
| 0xfb0 | PAGE24_LOCK0 | Lock configuration LSBs for page 24 (rows 0x600 through 0x63f). |
| 0xfb1 | PAGE24_LOCK1 | Lock configuration MSBs for page 24 (rows 0x600 through 0x63f). |
| 0xfb2 | PAGE25_LOCK0 | Lock configuration LSBs for page 25 (rows 0x640 through 0x67f). |

| Offset | Name | Info |
|--------|--------------|---|
| 0xfb3 | PAGE25_LOCK1 | Lock configuration MSBs for page 25 (rows 0x640 through 0x67f). |
| 0xfb4 | PAGE26_LOCK0 | Lock configuration LSBs for page 26 (rows 0x680 through 0x6bf). |
| 0xfb5 | PAGE26_LOCK1 | Lock configuration MSBs for page 26 (rows 0x680 through 0x6bf). |
| 0xfb6 | PAGE27_LOCK0 | Lock configuration LSBs for page 27 (rows 0x6c0 through 0x6ff). |
| 0xfb7 | PAGE27_LOCK1 | Lock configuration MSBs for page 27 (rows 0x6c0 through 0x6ff). |
| 0xfb8 | PAGE28_LOCK0 | Lock configuration LSBs for page 28 (rows 0x700 through 0x73f). |
| 0xfb9 | PAGE28_LOCK1 | Lock configuration MSBs for page 28 (rows 0x700 through 0x73f). |
| 0xfb9a | PAGE29_LOCK0 | Lock configuration LSBs for page 29 (rows 0x740 through 0x77f). |
| 0xfb9b | PAGE29_LOCK1 | Lock configuration MSBs for page 29 (rows 0x740 through 0x77f). |
| 0xfb9c | PAGE30_LOCK0 | Lock configuration LSBs for page 30 (rows 0x780 through 0x7bf). |
| 0xfb9d | PAGE30_LOCK1 | Lock configuration MSBs for page 30 (rows 0x780 through 0x7bf). |
| 0xfb9e | PAGE31_LOCK0 | Lock configuration LSBs for page 31 (rows 0x7c0 through 0x7ff). |
| 0xfb9f | PAGE31_LOCK1 | Lock configuration MSBs for page 31 (rows 0x7c0 through 0x7ff). |
| 0xfb90 | PAGE32_LOCK0 | Lock configuration LSBs for page 32 (rows 0x800 through 0x83f). |
| 0xfb91 | PAGE32_LOCK1 | Lock configuration MSBs for page 32 (rows 0x800 through 0x83f). |
| 0xfb92 | PAGE33_LOCK0 | Lock configuration LSBs for page 33 (rows 0x840 through 0x87f). |
| 0xfb93 | PAGE33_LOCK1 | Lock configuration MSBs for page 33 (rows 0x840 through 0x87f). |
| 0xfb94 | PAGE34_LOCK0 | Lock configuration LSBs for page 34 (rows 0x880 through 0x8bf). |
| 0xfb95 | PAGE34_LOCK1 | Lock configuration MSBs for page 34 (rows 0x880 through 0x8bf). |
| 0xfb96 | PAGE35_LOCK0 | Lock configuration LSBs for page 35 (rows 0x8c0 through 0x8ff). |
| 0xfb97 | PAGE35_LOCK1 | Lock configuration MSBs for page 35 (rows 0x8c0 through 0x8ff). |
| 0xfb98 | PAGE36_LOCK0 | Lock configuration LSBs for page 36 (rows 0x900 through 0x93f). |
| 0xfb99 | PAGE36_LOCK1 | Lock configuration MSBs for page 36 (rows 0x900 through 0x93f). |

| Offset | Name | Info |
|--------|--------------|---|
| 0xfca | PAGE37_LOCK0 | Lock configuration LSBs for page 37 (rows 0x940 through 0x97f). |
| 0xfcb | PAGE37_LOCK1 | Lock configuration MSBs for page 37 (rows 0x940 through 0x97f). |
| 0xfcc | PAGE38_LOCK0 | Lock configuration LSBs for page 38 (rows 0x980 through 0x9bf). |
| 0xfcd | PAGE38_LOCK1 | Lock configuration MSBs for page 38 (rows 0x980 through 0x9bf). |
| 0xfce | PAGE39_LOCK0 | Lock configuration LSBs for page 39 (rows 0x9c0 through 0x9ff). |
| 0xfcf | PAGE39_LOCK1 | Lock configuration MSBs for page 39 (rows 0x9c0 through 0x9ff). |
| 0xfd0 | PAGE40_LOCK0 | Lock configuration LSBs for page 40 (rows 0xa00 through 0xa3f). |
| 0xfd1 | PAGE40_LOCK1 | Lock configuration MSBs for page 40 (rows 0xa00 through 0xa3f). |
| 0xfd2 | PAGE41_LOCK0 | Lock configuration LSBs for page 41 (rows 0xa40 through 0xa7f). |
| 0xfd3 | PAGE41_LOCK1 | Lock configuration MSBs for page 41 (rows 0xa40 through 0xa7f). |
| 0xfd4 | PAGE42_LOCK0 | Lock configuration LSBs for page 42 (rows 0xa80 through 0xabf). |
| 0xfd5 | PAGE42_LOCK1 | Lock configuration MSBs for page 42 (rows 0xa80 through 0xabf). |
| 0xfd6 | PAGE43_LOCK0 | Lock configuration LSBs for page 43 (rows 0xac0 through 0xaff). |
| 0xfd7 | PAGE43_LOCK1 | Lock configuration MSBs for page 43 (rows 0xac0 through 0xaff). |
| 0xfd8 | PAGE44_LOCK0 | Lock configuration LSBs for page 44 (rows 0xb00 through 0xb3f). |
| 0xfd9 | PAGE44_LOCK1 | Lock configuration MSBs for page 44 (rows 0xb00 through 0xb3f). |
| 0xfda | PAGE45_LOCK0 | Lock configuration LSBs for page 45 (rows 0xb40 through 0xb7f). |
| 0xfdb | PAGE45_LOCK1 | Lock configuration MSBs for page 45 (rows 0xb40 through 0xb7f). |
| 0xfdc | PAGE46_LOCK0 | Lock configuration LSBs for page 46 (rows 0xb80 through 0xbbf). |
| 0xfdd | PAGE46_LOCK1 | Lock configuration MSBs for page 46 (rows 0xb80 through 0xbbf). |
| 0xfde | PAGE47_LOCK0 | Lock configuration LSBs for page 47 (rows 0xbc0 through 0xbff). |
| 0xfdf | PAGE47_LOCK1 | Lock configuration MSBs for page 47 (rows 0xbc0 through 0xbff). |
| 0xfe0 | PAGE48_LOCK0 | Lock configuration LSBs for page 48 (rows 0xc00 through 0xc3f). |

| Offset | Name | Info |
|--------|--------------|---|
| 0xfe1 | PAGE48_LOCK1 | Lock configuration MSBs for page 48 (rows 0xc00 through 0xc3f). |
| 0xfe2 | PAGE49_LOCK0 | Lock configuration LSBs for page 49 (rows 0xc40 through 0xc7f). |
| 0xfe3 | PAGE49_LOCK1 | Lock configuration MSBs for page 49 (rows 0xc40 through 0xc7f). |
| 0xfe4 | PAGE50_LOCK0 | Lock configuration LSBs for page 50 (rows 0xc80 through 0xcbf). |
| 0xfe5 | PAGE50_LOCK1 | Lock configuration MSBs for page 50 (rows 0xc80 through 0xcbf). |
| 0xfe6 | PAGE51_LOCK0 | Lock configuration LSBs for page 51 (rows 0xcc0 through 0xcff). |
| 0xfe7 | PAGE51_LOCK1 | Lock configuration MSBs for page 51 (rows 0xcc0 through 0xcff). |
| 0xfe8 | PAGE52_LOCK0 | Lock configuration LSBs for page 52 (rows 0xd00 through 0xd3f). |
| 0xfe9 | PAGE52_LOCK1 | Lock configuration MSBs for page 52 (rows 0xd00 through 0xd3f). |
| 0xfea | PAGE53_LOCK0 | Lock configuration LSBs for page 53 (rows 0xd40 through 0xd7f). |
| 0xfeb | PAGE53_LOCK1 | Lock configuration MSBs for page 53 (rows 0xd40 through 0xd7f). |
| 0xfec | PAGE54_LOCK0 | Lock configuration LSBs for page 54 (rows 0xd80 through 0xdbf). |
| 0xfed | PAGE54_LOCK1 | Lock configuration MSBs for page 54 (rows 0xd80 through 0xdbf). |
| 0xfee | PAGE55_LOCK0 | Lock configuration LSBs for page 55 (rows 0xdc0 through 0xdf). |
| 0xfef | PAGE55_LOCK1 | Lock configuration MSBs for page 55 (rows 0xdc0 through 0xdf). |
| 0xff0 | PAGE56_LOCK0 | Lock configuration LSBs for page 56 (rows 0xe00 through 0xe3f). |
| 0xff1 | PAGE56_LOCK1 | Lock configuration MSBs for page 56 (rows 0xe00 through 0xe3f). |
| 0xff2 | PAGE57_LOCK0 | Lock configuration LSBs for page 57 (rows 0xe40 through 0xe7f). |
| 0xff3 | PAGE57_LOCK1 | Lock configuration MSBs for page 57 (rows 0xe40 through 0xe7f). |
| 0xff4 | PAGE58_LOCK0 | Lock configuration LSBs for page 58 (rows 0xe80 through 0xebf). |
| 0xff5 | PAGE58_LOCK1 | Lock configuration MSBs for page 58 (rows 0xe80 through 0xebf). |
| 0xff6 | PAGE59_LOCK0 | Lock configuration LSBs for page 59 (rows 0xec0 through 0xef). |
| 0xff7 | PAGE59_LOCK1 | Lock configuration MSBs for page 59 (rows 0xec0 through 0xef). |

| Offset | Name | Info |
|--------|--------------|--|
| 0xff8 | PAGE60_LOCK0 | Lock configuration LSBs for page 60 (rows 0xf00 through 0xf3f). |
| 0xff9 | PAGE60_LOCK1 | Lock configuration MSBs for page 60 (rows 0xf00 through 0xf3f). |
| 0xffa | PAGE61_LOCK0 | Lock configuration LSBs for page 61 (rows 0xf40 through 0xf7f). |
| 0xffb | PAGE61_LOCK1 | Lock configuration MSBs for page 61 (rows 0xf40 through 0xf7f). |
| 0xffc | PAGE62_LOCK0 | Lock configuration LSBs for page 62 (rows 0xf80 through 0xfb7f). |
| 0xffd | PAGE62_LOCK1 | Lock configuration MSBs for page 62 (rows 0xf80 through 0xfb7f). |
| 0xffe | PAGE63_LOCK0 | Lock configuration LSBs for page 63 (rows 0xfc0 through 0xff7f). |
| 0xffff | PAGE63_LOCK1 | Lock configuration MSBs for page 63 (rows 0xfc0 through 0xff7f). |

OTP_DATA: CHIPID0 Register

Offset: 0x000

Table 1363. CHIPID0 Register

| Bits | Description | Type | Reset |
|-------|--|------|-------|
| 31:16 | Reserved. | - | - |
| 15:0 | <p>Bits 15:0 of public device ID. (ECC)</p> <p>The CHIPID0..3 rows contain a 64-bit random identifier for this chip, which can be read from the USB bootloader PICOBOOT interface or from the get_sys_info ROM API.</p> <p>The number of random bits makes the occurrence of twins exceedingly unlikely: for example, a fleet of a hundred million devices has a 99.97% probability of no twinned IDs. This is estimated to be lower than the occurrence of process errors in the assignment of sequential random IDs, and for practical purposes CHIPID may be treated as unique.</p> | RO | - |

OTP_DATA: CHIPID1 Register

Offset: 0x001

Table 1364. CHIPID1 Register

| Bits | Description | Type | Reset |
|-------|--------------------------------------|------|-------|
| 31:16 | Reserved. | - | - |
| 15:0 | Bits 31:16 of public device ID (ECC) | RO | - |

OTP_DATA: CHIPID2 Register

Offset: 0x002

Table 1365. CHIPID2 Register

| Bits | Description | Type | Reset |
|-------|--------------------------------------|------|-------|
| 31:16 | Reserved. | - | - |
| 15:0 | Bits 47:32 of public device ID (ECC) | RO | - |

OTP_DATA: CHIPID3 Register

Offset: 0x003

Table 1366. CHIPID3 Register

| Bits | Description | Type | Reset |
|-------|--------------------------------------|------|-------|
| 31:16 | Reserved. | - | - |
| 15:0 | Bits 63:48 of public device ID (ECC) | RO | - |

OTP_DATA: RANDID0 Register

Offset: 0x004

Table 1367. RANDID0 Register

| Bits | Description | Type | Reset |
|-------|---|------|-------|
| 31:16 | Reserved. | - | - |
| 15:0 | <p>Bits 15:0 of private per-device random number (ECC)</p> <p>The RANDID0..7 rows form a 128-bit random number generated during device test.</p> <p>This ID is not exposed through the USB PICOBOOT GET_INFO command or the ROM <code>get_sys_info()</code> API. However note that the USB PICOBOOT OTP access point can read the entirety of page 0, so this value is not meaningfully private unless the USB PICOBOOT interface is disabled via the <code>DISABLE_BOOTSEL_USB_PICOBOOT_IFC</code> flag in <code>BOOT_FLAGS0</code>.</p> | RO | - |

OTP_DATA: RANDID1 Register

Offset: 0x005

Table 1368. RANDID1 Register

| Bits | Description | Type | Reset |
|-------|--|------|-------|
| 31:16 | Reserved. | - | - |
| 15:0 | Bits 31:16 of private per-device random number (ECC) | RO | - |

OTP_DATA: RANDID2 Register

Offset: 0x006

Table 1369. RANDID2 Register

| Bits | Description | Type | Reset |
|-------|--|------|-------|
| 31:16 | Reserved. | - | - |
| 15:0 | Bits 47:32 of private per-device random number (ECC) | RO | - |

OTP_DATA: RANDID3 Register

Offset: 0x007

Table 1370. RANDID3 Register

| Bits | Description | Type | Reset |
|-------|-------------|------|-------|
| 31:16 | Reserved. | - | - |

| Bits | Description | Type | Reset |
|------|--|------|-------|
| 15:0 | Bits 63:48 of private per-device random number (ECC) | RO | - |

OTP_DATA: RANDID4 Register

Offset: 0x008

Table 1371. RANDID4 Register

| Bits | Description | Type | Reset |
|-------|--|------|-------|
| 31:16 | Reserved. | - | - |
| 15:0 | Bits 79:64 of private per-device random number (ECC) | RO | - |

OTP_DATA: RANDID5 Register

Offset: 0x009

Table 1372. RANDID5 Register

| Bits | Description | Type | Reset |
|-------|--|------|-------|
| 31:16 | Reserved. | - | - |
| 15:0 | Bits 95:80 of private per-device random number (ECC) | RO | - |

OTP_DATA: RANDID6 Register

Offset: 0x00a

Table 1373. RANDID6 Register

| Bits | Description | Type | Reset |
|-------|---|------|-------|
| 31:16 | Reserved. | - | - |
| 15:0 | Bits 111:96 of private per-device random number (ECC) | RO | - |

OTP_DATA: RANDID7 Register

Offset: 0x00b

Table 1374. RANDID7 Register

| Bits | Description | Type | Reset |
|-------|--|------|-------|
| 31:16 | Reserved. | - | - |
| 15:0 | Bits 127:112 of private per-device random number (ECC) | RO | - |

OTP_DATA: ROSC_CALIB Register

Offset: 0x010

Table 1375. ROSC_CALIB Register

| Bits | Description | Type | Reset |
|-------|--|------|-------|
| 31:16 | Reserved. | - | - |
| 15:0 | Ring oscillator frequency in kHz, measured during manufacturing (ECC) This is measured at 1.1 V, at room temperature, with the ROSC configuration registers in their reset state. | RO | - |

OTP_DATA: LPOSC_CALIB Register

Offset: 0x011

Table 1376.
LPOSC_CALIB Register

| Bits | Description | Type | Reset |
|-------|--|------|-------|
| 31:16 | Reserved. | - | - |
| 15:0 | Low-power oscillator frequency in Hz, measured during manufacturing (ECC) This is measured at 1.1V, at room temperature, with the LPOSC trim register in its reset state. | RO | - |

OTP_DATA: NUM_GPIOS Register

Offset: 0x018

Table 1377.
NUM_GPIOS Register

| Bits | Description | Type | Reset |
|------|---|------|-------|
| 31:8 | Reserved. | - | - |
| 7:0 | The number of main user GPIOs (bank 0). Should read 48 in the QFN80 package, and 30 in the QFN60 package. (ECC) | RO | - |

OTP_DATA: INFO_CRC0 Register

Offset: 0x036

Table 1378.
INFO_CRC0 Register

| Bits | Description | Type | Reset |
|-------|--|------|-------|
| 31:16 | Reserved. | - | - |
| 15:0 | Lower 16 bits of CRC32 of OTP addresses 0x00 through 0x6b (polynomial 0x4c11db7, input reflected, output reflected, seed all-ones, final XOR all-ones) (ECC) | RO | - |

OTP_DATA: INFO_CRC1 Register

Offset: 0x037

Table 1379.
INFO_CRC1 Register

| Bits | Description | Type | Reset |
|-------|---|------|-------|
| 31:16 | Reserved. | - | - |
| 15:0 | Upper 16 bits of CRC32 of OTP addresses 0x00 through 0x6b (ECC) | RO | - |

OTP_DATA: CRIT0 Register

Offset: 0x038

Description

Page 0 critical boot flags (RBIT-8)

Table 1380. CRIT0 Register

| Bits | Description | Type | Reset |
|------|--|------|-------|
| 31:2 | Reserved. | - | - |
| 1 | RISCV_DISABLE : Permanently disable RISC-V processors (Hazard3) | RO | - |
| 0 | ARM_DISABLE : Permanently disable ARM processors (Cortex-M33) | RO | - |

OTP_DATA: CRIT0_R1, CRIT0_R2, ..., CRIT0_R6, CRIT0_R7 Registers

Offsets: 0x039, 0x03a, ..., 0x03e, 0x03f

Table 1381. CRIT0_R1, CRIT0_R2, ..., CRIT0_R6, CRIT0_R7 Registers

| Bits | Description | Type | Reset |
|-------|-------------------------|------|-------|
| 31:24 | Reserved. | - | - |
| 23:0 | Redundant copy of CRIT0 | RO | - |

OTP_DATA: CRIT1 Register

Offset: 0x040

Description

Page 1 critical boot flags (RBIT-8)

Table 1382. CRIT1 Register

| Bits | Description | Type | Reset |
|------|--|------|-------|
| 31:7 | Reserved. | - | - |
| 6:5 | GLITCH_DETECTOR_SENS : Increase the sensitivity of the glitch detectors from their default. | RO | - |
| 4 | GLITCH_DETECTOR_ENABLE : Arm the glitch detectors to reset the system if an abnormal clock/power event is observed. | RO | - |
| 3 | BOOT_ARCH : Set the default boot architecture, 0=ARM 1=RISC-V. Ignored if ARM_DISABLE, RISC_V_DISABLE or SECURE_BOOT_ENABLE is set. | RO | - |
| 2 | DEBUG_DISABLE : Disable all debug access | RO | - |
| 1 | SECURE_DEBUG_DISABLE : Disable Secure debug access | RO | - |
| 0 | SECURE_BOOT_ENABLE : Enable boot signature enforcement, and permanently disable the RISC-V cores. | RO | - |

OTP_DATA: CRIT1_R1, CRIT1_R2, ..., CRIT1_R6, CRIT1_R7 Registers

Offsets: 0x041, 0x042, ..., 0x046, 0x047

Table 1383. CRIT1_R1, CRIT1_R2, ..., CRIT1_R6, CRIT1_R7 Registers

| Bits | Description | Type | Reset |
|-------|-------------------------|------|-------|
| 31:24 | Reserved. | - | - |
| 23:0 | Redundant copy of CRIT1 | RO | - |

OTP_DATA: BOOT_FLAGS0 Register

Offset: 0x048

Description

Disable/Enable boot paths/features in the RP2350 mask ROM. Disables always supersede enables. Enables are provided where there are other configurations in OTP that must be valid. (RBIT-3)

Table 1384. BOOT_FLAGS0 Register

| Bits | Description | Type | Reset |
|-------|--|------|-------|
| 31:22 | Reserved. | - | - |
| 21 | DISABLE_SRAM_WINDOW_BOOT | RO | - |
| 20 | DISABLE_XIP_ACCESS_ON_SRAM_ENTRY : Disable all access to XIP after entering an SRAM binary. Note that this will cause bootrom APIs that access XIP to fail, including APIs that interact with the partition table. | RO | - |
| 19 | DISABLE_BOOTSEL_UART_BOOT | RO | - |

| Bits | Description | Type | Reset |
|------|---|------|-------|
| 18 | DISABLE_BOOTSEL_USB_PICOBOOT_IFC | RO | - |
| 17 | DISABLE_BOOTSEL_USB_MSD_IFC | RO | - |
| 16 | DISABLE_WATCHDOG_SCRATCH | RO | - |
| 15 | DISABLE_POWER_SCRATCH | RO | - |
| 14 | <p>ENABLE_OTP_BOOT: Enable OTP boot. A number of OTP rows specified by OTPBOOT_LEN will be loaded, starting from OTPBOOT_SRC, into the SRAM location specified by OTPBOOT_DST1 and OTPBOOT_DST0.</p> <p>The loaded program image is stored with ECC, 16 bits per row, and must contain a valid IMAGE_DEF. Do not set this bit without first programming an image into OTP and configuring OTPBOOT_LEN, OTPBOOT_SRC, OTPBOOT_DST0 and OTPBOOT_DST1.</p> <p>Note that OTPBOOT_LEN and OTPBOOT_SRC must be even numbers of OTP rows. Equivalently, the image must be a multiple of 32 bits in size, and must start at a 32-bit-aligned address in the ECC read data address window.</p> | RO | - |
| 13 | DISABLE_OTP_BOOT: Takes precedence over ENABLE_OTP_BOOT. | RO | - |
| 12 | DISABLE_FLASH_BOOT | RO | - |
| 11 | ROLLBACK_REQUIRED: Require binaries to have a rollback version. Set automatically the first time a binary with a rollback version is booted. | RO | - |
| 10 | HASHED_PARTITION_TABLE: Require a partition table to be hashed (if not signed) | RO | - |
| 9 | SECURE_PARTITION_TABLE: Require a partition table to be signed | RO | - |
| 8 | DISABLE_AUTO_SWITCH_ARCH: Disable auto-switch of CPU architecture on boot when the (only) binary to be booted is for the other Arm/RISC-V architecture and both architectures are enabled | RO | - |
| 7 | SINGLE_FLASH_BINARY: Restrict flash boot path to use of a single binary at the start of flash | RO | - |
| 6 | <p>OVERRIDE_FLASH_PARTITION_SLOT_SIZE: Override the limit for default flash metadata scanning.</p> <p>The value is specified in FLASH_PARTITION_SLOT_SIZE. Make sure FLASH_PARTITION_SLOT_SIZE is valid before setting this bit</p> | RO | - |
| 5 | FLASH_DEVINFO_ENABLE: Mark FLASH_DEVINFO as containing valid, ECC'd data which describes external flash devices. | RO | - |
| 4 | FAST_SIGCHECK_ROSC_DIV: Enable quartering of ROSC divisor during signature check, to reduce secure boot time | RO | - |
| 3 | <p>FLASH_IO_VOLTAGE_1V8: If 1, configure the QSPI pads for 1.8 V operation when accessing flash for the first time from the bootrom, using the VOLTAGE_SELECT register for the QSPI pads bank. This slightly improves the input timing of the pads at low voltages, but does not affect their output characteristics.</p> <p>If 0, leave VOLTAGE_SELECT in its reset state (suitable for operation at and above 2.5 V)</p> | RO | - |

| Bits | Description | Type | Reset |
|------|--|------|-------|
| 2 | <p>ENABLE_BOOTSEL_NON_DEFAULT_PLL_XOSC_CFG: Enable loading of the non-default XOSC and PLL configuration before entering BOOTSEL mode.</p> <p>Ensure that BOOTSEL_XOSC_CFG and BOOTSEL_PLL_CFG are correctly programmed before setting this bit.</p> <p>If this bit is set, user software may use the contents of BOOTSEL_PLL_CFG to calculate the expected XOSC frequency based on the fixed USB boot frequency of 48 MHz.</p> | RO | - |
| 1 | <p>ENABLE_BOOTSEL_LED: Enable bootloader activity LED. If set, bootsel_led_cfg is assumed to be valid</p> | RO | - |
| 0 | Reserved. | - | - |

OTP_DATA: BOOT_FLAGS0_R1, BOOT_FLAGS0_R2 Registers

Offsets: 0x049, 0x04a

Table 1385.
BOOT_FLAGS0_R1,
BOOT_FLAGS0_R2
Registers

| Bits | Description | Type | Reset |
|-------|-------------------------------|------|-------|
| 31:24 | Reserved. | - | - |
| 23:0 | Redundant copy of BOOT_FLAGS0 | RO | - |

OTP_DATA: BOOT_FLAGS1 Register

Offset: 0x04b

Description

Disable/Enable boot paths/features in the RP2350 mask ROM. Disables always supersede enables. Enables are provided where there are other configurations in OTP that must be valid. (RBIT-3)

Table 1386.
BOOT_FLAGS1
Register

| Bits | Description | Type | Reset |
|-------|---|------|-------|
| 31:20 | Reserved. | - | - |
| 19 | <p>DOUBLE_TAP: Enable entering BOOTSEL mode via double-tap of the RUN/RSTn pin. Adds a significant delay to boot time, as configured by DOUBLE_TAP_DELAY.</p> <p>This functions by waiting at startup (i.e. following a reset) to see if a second reset is applied soon afterward. The second reset is detected by the bootrom with help of the POWMAN_CHIP_RESET_DOUBLE_TAP flag, which is not reset by the external reset pin, and the bootrom enters BOOTSEL mode (NSBOOT) to await further instruction over USB or UART.</p> | RO | - |
| 18:16 | <p>DOUBLE_TAP_DELAY: Adjust how long to wait for a second reset when double tap BOOTSEL mode is enabled via DOUBLE_TAP. The minimum is 50 milliseconds, and each unit of this field adds an additional 50 milliseconds.</p> <p>For example, settings this field to its maximum value of 7 will cause the chip to wait for 400 milliseconds at boot to check for a second reset which requests entry to BOOTSEL mode.</p> <p>200 milliseconds (DOUBLE_TAP_DELAY=3) is a good intermediate value.</p> | RO | - |
| 15:12 | Reserved. | - | - |

| Bits | Description | Type | Reset |
|------|---|------|-------|
| 11:8 | <p>KEY_INVALID: Mark a boot key as invalid, or prevent it from ever becoming valid. The bootrom will ignore any boot key marked as invalid during secure boot signature checks.</p> <p>Each bit in this field corresponds to one of the four 256-bit boot key hashes that may be stored in page 2 of the OTP.</p> <p>When provisioning boot keys, it's recommended to mark any boot key slots you don't intend to use as KEY_INVALID, so that spurious keys can not be installed at a later time.</p> | RO | - |
| 7:4 | Reserved. | - | - |
| 3:0 | <p>KEY_VALID: Mark each of the possible boot keys as valid. The bootrom will check signatures against all valid boot keys, and ignore invalid boot keys.</p> <p>Each bit in this field corresponds to one of the four 256-bit boot key hashes that may be stored in page 2 of the OTP.</p> <p>A KEY_VALID bit is ignored if the corresponding KEY_INVALID bit is set. Boot keys are considered valid only when KEY_VALID is set and KEY_INVALID is clear.</p> <p>Do not mark a boot key as KEY_VALID if it does not contain a valid SHA-256 hash of your secp256k1 public key. Verify keys after programming, before setting the KEY_VALID bits – a boot key with uncorrectable ECC faults will render your device unbootable if secure boot is enabled.</p> <p>Do not enable secure boot without first installing a valid key. This will render your device unbootable.</p> | RO | - |

OTP_DATA: BOOT_FLAGS1_R1, BOOT_FLAGS1_R2 Registers

Offsets: 0x04c, 0x04d

Table 1387.
BOOT_FLAGS1_R1,
BOOT_FLAGS1_R2
Registers

| Bits | Description | Type | Reset |
|-------|-------------------------------|------|-------|
| 31:24 | Reserved. | - | - |
| 23:0 | Redundant copy of BOOT_FLAGS1 | RO | - |

OTP_DATA: DEFAULT_BOOT_VERSION0 Register

Offset: 0x04e

Table 1388.
DEFAULT_BOOT_VERSION0
Register

| Bits | Description | Type | Reset |
|-------|--|------|-------|
| 31:24 | Reserved. | - | - |
| 23:0 | Default boot version thermometer counter, bits 23:0 (RBIT-3) | RO | - |

OTP_DATA: DEFAULT_BOOT_VERSION0_R1, DEFAULT_BOOT_VERSION0_R2 Registers

Offsets: 0x04f, 0x050

Table 1389.
DEFAULT_BOOT_VERS
ION0_R1,
DEFAULT_BOOT_VERS
ION0_R2 Registers

| Bits | Description | Type | Reset |
|-------|---|------|-------|
| 31:24 | Reserved. | - | - |
| 23:0 | Redundant copy of DEFAULT_BOOT_VERSION0 | RO | - |

OTP_DATA: DEFAULT_BOOT_VERSION1 Register

Offset: 0x051

Table 1390.
DEFAULT_BOOT_VERS
ION1 Register

| Bits | Description | Type | Reset |
|-------|---|------|-------|
| 31:24 | Reserved. | - | - |
| 23:0 | Default boot version thermometer counter, bits 47:24 (RBIT-3) | RO | - |

OTP_DATA: DEFAULT_BOOT_VERSION1_R1, DEFAULT_BOOT_VERSION1_R2 Registers

Offsets: 0x052, 0x053

Table 1391.
DEFAULT_BOOT_VERS
ION1_R1,
DEFAULT_BOOT_VERS
ION1_R2 Registers

| Bits | Description | Type | Reset |
|-------|---|------|-------|
| 31:24 | Reserved. | - | - |
| 23:0 | Redundant copy of DEFAULT_BOOT_VERSION1 | RO | - |

OTP_DATA: FLASH_DEVINFO Register

Offset: 0x054

Description

Stores information about external flash device(s). (ECC)

Assumed to be valid if BOOT_FLAGS0_FLASH_DEVINFO_ENABLE is set.

Table 1392.
FLASH_DEVINFO
Register

| Bits | Description | Type | Reset |
|-------|---|------|-------|
| 31:16 | Reserved. | - | - |
| 15:12 | <p>CS1_SIZE: The size of the flash/PSRAM device on chip select 1 (addressable at 0x11000000 through 0x11ffffff).</p> <p>A value of zero is decoded as a size of zero (no device). Nonzero values are decoded as 4kiB << CS1_SIZE. For example, four megabytes is encoded with a CS1_SIZE value of 10, and 16 megabytes is encoded with a CS1_SIZE value of 12.</p> <p>When BOOT_FLAGS0_FLASH_DEVINFO_ENABLE is not set, a default of zero is used.</p> | RO | - |
| | Enumerated values: | | |
| | 0x0 → NONE | | |
| | 0x1 → 8K | | |
| | 0x2 → 16K | | |
| | 0x3 → 32K | | |
| | 0x4 → 64K | | |
| | 0x5 → 128K | | |

| Bits | Description | Type | Reset |
|------|--|------|-------|
| | 0x6 → 256K | | |
| | 0x7 → 512K | | |
| | 0x8 → 1M | | |
| | 0x9 → 2M | | |
| | 0xa → 4M | | |
| | 0xb → 8M | | |
| | 0xc → 16M | | |
| 11:8 | <p>CS0_SIZE: The size of the flash/PSRAM device on chip select 0 (addressable at 0x10000000 through 0x10ffffff).</p> <p>A value of zero is decoded as a size of zero (no device). Nonzero values are decoded as 4kiB << CS0_SIZE. For example, four megabytes is encoded with a CS0_SIZE value of 10, and 16 megabytes is encoded with a CS0_SIZE value of 12.</p> <p>When BOOT_FLAGS0_FLASH_DEVINFO_ENABLE is not set, a default of 12 (16 MiB) is used.</p> <p>Enumerated values:</p> | RO | - |
| | 0x0 → NONE | | |
| | 0x1 → 8K | | |
| | 0x2 → 16K | | |
| | 0x3 → 32K | | |
| | 0x4 → 64K | | |
| | 0x5 → 128K | | |
| | 0x6 → 256K | | |
| | 0x7 → 512K | | |
| | 0x8 → 1M | | |
| | 0x9 → 2M | | |
| | 0xa → 4M | | |
| | 0xb → 8M | | |
| | 0xc → 16M | | |
| 7 | <p>D8H_ERASE_SUPPORTED: If true, all attached devices are assumed to support (or ignore, in the case of PSRAM) a block erase command with a command prefix of D8h, an erase size of 64 kiB, and a 24-bit address. Almost all 25-series flash devices support this command.</p> <p>If set, the bootrom will use the D8h erase command where it is able, to accelerate bulk erase operations. This makes flash programming faster.</p> <p>When BOOT_FLAGS0_FLASH_DEVINFO_ENABLE is not set, this field defaults to false.</p> | RO | - |
| 6 | Reserved. | - | - |

| Bits | Description | Type | Reset |
|------|---|------|-------|
| 5:0 | <p>CS1_GPIO: Indicate a GPIO number to be used for the secondary flash chip select (CS1), which selects the external QSPI device mapped at system addresses 0x11000000 through 0x11ffffff. There is no such configuration for CS0, as the primary chip select has a dedicated pin.</p> <p>On RP2350 the permissible GPIO numbers are 0, 8, 19 and 47.</p> <p>Ignored if CS1_size is zero. If CS1_SIZE is nonzero, the bootrom will automatically configure this GPIO as a second chip select upon entering the flash boot path, or entering any other path that may use the QSPI flash interface, such as BOOTSEL mode (nsboot).</p> | RO | - |

OTP_DATA: FLASH_PARTITION_SLOT_SIZE Register

Offset: 0x055

Table 1393.
FLASH_PARTITION_SLOT_SIZE Register

| Bits | Description | Type | Reset |
|-------|--|------|-------|
| 31:16 | Reserved. | - | - |
| 15:0 | Gap between partition table slot 0 and slot 1 at the start of flash (the default size is 4096 bytes) (ECC) Enabled by the OVERRIDE_FLASH_PARTITION_SLOT_SIZE bit in BOOT_FLAGS, the size is 4096 * (value + 1) | RO | - |

OTP_DATA: BOOTSEL_LED_CFG Register

Offset: 0x056

Description

Pin configuration for LED status, used by USB bootloader. (ECC)
Must be valid if BOOT_FLAGS0_ENABLE_BOOTSEL_LED is set.

Table 1394.
BOOTSEL_LED_CFG Register

| Bits | Description | Type | Reset |
|------|--|------|-------|
| 31:9 | Reserved. | - | - |
| 8 | ACTIVELOW: LED is active-low. (Default: active-high.) | RO | - |
| 7:6 | Reserved. | - | - |
| 5:0 | PIN: GPIO index to use for bootloader activity LED. | RO | - |

OTP_DATA: BOOTSEL_PLL_CFG Register

Offset: 0x057

Description

Optional PLL configuration for BOOTSEL mode. (ECC)

This should be configured to produce an exact 48 MHz based on the crystal oscillator frequency. User mode software may also use this value to calculate the expected crystal frequency based on an assumed 48 MHz PLL output.

If no configuration is given, the crystal is assumed to be 12 MHz.

The PLL frequency can be calculated as:

$$\text{PLL out} = (\text{XOSC frequency} / (\text{REFDIV}+1)) \times \text{FBDIV} / (\text{POSTDIV1} \times \text{POSTDIV2})$$

Conversely the crystal frequency can be calculated as:

$$\text{XOSC frequency} = 48 \text{ MHz} \times (\text{REFDIV}+1) \times (\text{POSTDIV1} \times \text{POSTDIV2}) / \text{FBDIV}$$

(Note the +1 on REFDIV is because the value stored in this OTP location is the actual divisor value minus one.)

Used if and only if ENABLE_BOOTSEL_NON_DEFAULT_PLL_XOSC_CFG is set in BOOT_FLAGS0. That bit should be set only after this row and BOOTSEL_XOSC_CFG are both correctly programmed.

Table 1395.
BOOTSEL_PLL_CFG
Register

| Bits | Description | Type | Reset |
|-------|---|------|-------|
| 31:16 | Reserved. | - | - |
| 15 | REFDIV : PLL reference divisor, minus one. Programming a value of 0 means a reference divisor of 1. Programming a value of 1 means a reference divisor of 2 (for exceptionally fast XIN inputs) | RO | - |
| 14:12 | POSTDIV2 : PLL post-divide 2 divisor, in the range 1..7 inclusive. | RO | - |
| 11:9 | POSTDIV1 : PLL post-divide 1 divisor, in the range 1..7 inclusive. | RO | - |
| 8:0 | FBDIV : PLL feedback divisor, in the range 16..320 inclusive. | RO | - |

OTP_DATA: BOOTSEL_XOSC_CFG Register

Offset: 0x058

Description

Non-default crystal oscillator configuration for the USB bootloader. (ECC)

These values may also be used by user code configuring the crystal oscillator.

Used if and only if ENABLE_BOOTSEL_NON_DEFAULT_PLL_XOSC_CFG is set in BOOT_FLAGS0. That bit should be set only after this row and BOOTSEL_PLL_CFG are both correctly programmed.

Table 1396.
BOOTSEL_XOSC_CFG
Register

| Bits | Description | Type | Reset |
|-------|--|------|-------|
| 31:16 | Reserved. | - | - |
| 15:14 | RANGE : Value of the XOSC_CTRL_FREQ_RANGE register. Enumerated values: 0x0 → 1_15MHZ 0x1 → 10_30MHZ 0x2 → 25_60MHZ 0x3 → 40_100MHZ | RO | - |
| 13:0 | STARTUP : Value of the XOSC_STARTUP register | RO | - |

OTP_DATA: USB_BOOT_FLAGS Register

Offset: 0x059

Description

USB boot specific feature flags (RBIT-3)

Table 1397.
USB_BOOT_FLAGS
Register

| Bits | Description | Type | Reset |
|-------|--|------|-------|
| 31:24 | Reserved. | - | - |
| 23 | DP_DM_SWAP : Swap DM/DP during USB boot, to support board layouts with mirrored USB routing (deliberate or accidental). | RO | - |

| Bits | Description | Type | Reset |
|-------|--|------|-------|
| 22 | WHITE_LABEL_ADDR_VALID : valid flag for INFO_UF2_TXT_BOARD_ID_STRDEF entry of the USB_WHITE_LABEL struct (index 15) | RO | - |
| 21:16 | Reserved. | - | - |
| 15 | WL_INFO_UF2_TXT_BOARD_ID_STRDEF_VALID : valid flag for the USB_WHITE_LABEL_ADDR field | RO | - |
| 14 | WL_INFO_UF2_TXT_MODEL_STRDEF_VALID : valid flag for INFO_UF2_TXT_MODEL_STRDEF entry of the USB_WHITE_LABEL struct (index 14) | RO | - |
| 13 | WL_INDEX_HTM_REDIRECT_NAME_STRDEF_VALID : valid flag for INDEX_HTM_REDIRECT_NAME_STRDEF entry of the USB_WHITE_LABEL struct (index 13) | RO | - |
| 12 | WL_INDEX_HTM_REDIRECT_URL_STRDEF_VALID : valid flag for INDEX_HTM_REDIRECT_URL_STRDEF entry of the USB_WHITE_LABEL struct (index 12) | RO | - |
| 11 | WL_SCSI_INQUIRY_VERSION_STRDEF_VALID : valid flag for SCSI_INQUIRY_VERSION_STRDEF entry of the USB_WHITE_LABEL struct (index 11) | RO | - |
| 10 | WL_SCSI_INQUIRY_PRODUCT_STRDEF_VALID : valid flag for SCSI_INQUIRY_PRODUCT_STRDEF entry of the USB_WHITE_LABEL struct (index 10) | RO | - |
| 9 | WL_SCSI_INQUIRY_VENDOR_STRDEF_VALID : valid flag for SCSI_INQUIRY_VENDOR_STRDEF entry of the USB_WHITE_LABEL struct (index 9) | RO | - |
| 8 | WL_VOLUME_LABEL_STRDEF_VALID : valid flag for VOLUME_LABEL_STRDEF entry of the USB_WHITE_LABEL struct (index 8) | RO | - |
| 7 | WL_USB_CONFIG_ATTRIBUTES_MAX_POWER_VALUES_VALID : valid flag for USB_CONFIG_ATTRIBUTES_MAX_POWER_VALUES entry of the USB_WHITE_LABEL struct (index 7) | RO | - |
| 6 | WL_USB_DEVICE_SERIAL_NUMBER_STRDEF_VALID : valid flag for USB_DEVICE_SERIAL_NUMBER_STRDEF entry of the USB_WHITE_LABEL struct (index 6) | RO | - |
| 5 | WL_USB_DEVICE_PRODUCT_STRDEF_VALID : valid flag for USB_DEVICE_PRODUCT_STRDEF entry of the USB_WHITE_LABEL struct (index 5) | RO | - |
| 4 | WL_USB_DEVICE_MANUFACTURER_STRDEF_VALID : valid flag for USB_DEVICE_MANUFACTURER_STRDEF entry of the USB_WHITE_LABEL struct (index 4) | RO | - |
| 3 | WL_USB_DEVICE_LANG_ID_VALUE_VALID : valid flag for USB_DEVICE_LANG_ID_VALUE entry of the USB_WHITE_LABEL struct (index 3) | RO | - |
| 2 | WL_USB_DEVICE_SERIAL_NUMBER_VALUE_VALID : valid flag for USB_DEVICE_BCD_DEVICEVALUE entry of the USB_WHITE_LABEL struct (index 2) | RO | - |
| 1 | WL_USB_DEVICE_PID_VALUE_VALID : valid flag for USB_DEVICE_PID_VALUE entry of the USB_WHITE_LABEL struct (index 1) | RO | - |

| Bits | Description | Type | Reset |
|------|---|------|-------|
| 0 | WL_USB_DEVICE_VID_VALUE_VALID: valid flag for USB_DEVICE_VID_VALUE entry of the USB_WHITE_LABEL struct (index 0) | RO | - |

OTP_DATA: USB_BOOT_FLAGS_R1, USB_BOOT_FLAGS_R2 Registers

Offsets: 0x05a, 0x05b

Table 1398.
USB_BOOT_FLAGS_R1,
USB_BOOT_FLAGS_R2
Registers

| Bits | Description | Type | Reset |
|-------|----------------------------------|------|-------|
| 31:24 | Reserved. | - | - |
| 23:0 | Redundant copy of USB_BOOT_FLAGS | RO | - |

OTP_DATA: USB_WHITE_LABEL_ADDR Register

Offset: 0x05c

Table 1399.
USB_WHITE_LABEL_A
DDR Register

| Bits | Description | Type | Reset |
|-------|---|------|-------|
| 31:16 | Reserved. | - | - |
| 15:0 | <p>Row index of the USB_WHITE_LABEL structure within OTP (ECC)</p> <p>The table has 16 rows, each of which are also ECC and marked valid by the corresponding valid bit in USB_BOOT_FLAGS (ECC).</p> <p>The entries are either _VALUES where the 16 bit value is used as is, or _STRDEFs which acts as a pointers to a string value.</p> <p>The value stored in a _STRDEF is two separate bytes: The low seven bits of the first (LSB) byte indicates the number of characters in the string, and the top bit of the first (LSB) byte if set to indicate that each character in the string is two bytes (Unicode) versus one byte if unset. The second (MSB) byte represents the location of the string data, and is encoded as the number of rows from this USB_WHITE_LABEL_ADDR; i.e. the row of the start of the string is USB_WHITE_LABEL_ADDR value + msb_byte.</p> <p>In each case, the corresponding valid bit enables replacing the default value for the corresponding item provided by the boot rom.</p> <p>Note that Unicode _STRDEFs are only supported for USB_DEVICE_PRODUCT_STRDEF, USB_DEVICE_SERIAL_NUMBER_STRDEF and USB_DEVICE_MANUFACTURER_STRDEF. Unicode values will be ignored if specified for other fields, and non-unicode values for these three items will be converted to Unicode characters by setting the upper 8 bits to zero.</p> <p>Note that if the USB_WHITE_LABEL structure or the corresponding strings are not readable by BOOTSEL mode based on OTP permissions, or if alignment requirements are not met, then the corresponding default values are used.</p> <p>The index values indicate where each field is located (row USB_WHITE_LABEL_ADDR value + index):</p> | RO | - |
| | Enumerated values: | | |
| | 0x0000 → INDEX_USB_DEVICE_VID_VALUE | | |
| | 0x0001 → INDEX_USB_DEVICE_PID_VALUE | | |

| Bits | Description | Type | Reset |
|------|---|------|-------|
| | 0x0002 → INDEX_USB_DEVICE_BCD_DEVICE_VALUE | | |
| | 0x0003 → INDEX_USB_DEVICE_LANG_ID_VALUE | | |
| | 0x0004 → INDEX_USB_DEVICE_MANUFACTURER_STRDEF | | |
| | 0x0005 → INDEX_USB_DEVICE_PRODUCT_STRDEF | | |
| | 0x0006 → INDEX_USB_DEVICE_SERIAL_NUMBER_STRDEF | | |
| | 0x0007 → INDEX_USB_CONFIG_ATTRIBUTES_MAX_POWER_VALUES | | |
| | 0x0008 → INDEX_VOLUME_LABEL_STRDEF | | |
| | 0x0009 → INDEX_SCSI_INQUIRY_VENDOR_STRDEF | | |
| | 0x000a → INDEX_SCSI_INQUIRY_PRODUCT_STRDEF | | |
| | 0x000b → INDEX_SCSI_INQUIRY_VERSION_STRDEF | | |
| | 0x000c → INDEX_INDEX_HTM_REDIRECT_URL_STRDEF | | |
| | 0x000d → INDEX_INDEX_HTM_REDIRECT_NAME_STRDEF | | |
| | 0x000e → INDEX_INFO_UF2_TXT_MODEL_STRDEF | | |
| | 0x000f → INDEX_INFO_UF2_TXT_BOARD_ID_STRDEF | | |

OTP_DATA: OTPBOOT_SRC Register

Offset: 0x05e

Table 1400.
OTPBOOT_SRC
Register

| Bits | Description | Type | Reset |
|-------|--|------|-------|
| 31:16 | Reserved. | - | - |
| 15:0 | <p>OTP start row for the OTP boot image. (ECC)</p> <p>If OTP boot is enabled, the bootrom will load from this location into SRAM and then directly enter the loaded image. Note that the image must be signed if SECURE_BOOT_ENABLE is set. The image itself is assumed to be ECC-protected.</p> <p>This must be an even number. Equivalently, the OTP boot image must start at a word-aligned location in the ECC read data address window.</p> | RO | - |

OTP_DATA: OTPBOOT_LEN Register

Offset: 0x05f

Table 1401.
OTPBOOT_LEN
Register

| Bits | Description | Type | Reset |
|-------|---|------|-------|
| 31:16 | Reserved. | - | - |
| 15:0 | <p>Length in rows of the OTP boot image. (ECC)</p> <p>OTPBOOT_LEN must be even. The total image size must be a multiple of 4 bytes (32 bits).</p> | RO | - |

OTP_DATA: OTPBOOT_DST0 Register

Offset: 0x060

Table 1402.
 OTPBOOT_DST0
 Register

| Bits | Description | Type | Reset |
|-------|--|------|-------|
| 31:16 | Reserved. | - | - |
| 15:0 | Bits 15:0 of the OTP boot image load destination (and entry point). (ECC) This must be a location in main SRAM (main SRAM is addresses 0x20000000 through 0x20082000) and must be word-aligned. | RO | - |

OTP_DATA: OTPBOOT_DST1 Register

Offset: 0x061

 Table 1403.
 OTPBOOT_DST1
 Register

| Bits | Description | Type | Reset |
|-------|---|------|-------|
| 31:16 | Reserved. | - | - |
| 15:0 | Bits 31:16 of the OTP boot image load destination (and entry point). (ECC) This must be a location in main SRAM (main SRAM is addresses 0x20000000 through 0x20082000) and must be word-aligned. | RO | - |

OTP_DATA: BOOTKEY0_0, BOOTKEY0_1, ..., BOOTKEY3_14, BOOTKEY3_15 Registers

Offsets: 0x080, 0x081, ..., 0x0be, 0x0bf

 Table 1404.
 BOOTKEY0_0,
 BOOTKEY0_1, ...,
 BOOTKEY3_14,
 BOOTKEY3_15
 Registers

| Bits | Description | Type | Reset |
|-------|---|------|-------|
| 31:16 | Reserved. | - | - |
| 15:0 | Bits $N + 15 : N$ of SHA-256 hash of boot key K (ECC) | RO | - |

OTP_DATA: KEY1_0, KEY2_0, ..., KEY5_0, KEY6_0 Registers

Offsets: 0xf48, 0xf50, ..., 0xf68, 0xf70

 Table 1405. KEY1_0,
 KEY2_0, ..., KEY5_0,
 KEY6_0 Registers

| Bits | Description | Type | Reset |
|-------|---------------------------------------|------|-------|
| 31:16 | Reserved. | - | - |
| 15:0 | Bits 15:0 of OTP access key n (ECC) | RO | - |

OTP_DATA: KEY1_1, KEY2_1, ..., KEY5_1, KEY6_1 Registers

Offsets: 0xf49, 0xf51, ..., 0xf69, 0xf71

 Table 1406. KEY1_1,
 KEY2_1, ..., KEY5_1,
 KEY6_1 Registers

| Bits | Description | Type | Reset |
|-------|--|------|-------|
| 31:16 | Reserved. | - | - |
| 15:0 | Bits 31:16 of OTP access key n (ECC) | RO | - |

OTP_DATA: KEY1_2, KEY2_2, ..., KEY5_2, KEY6_2 Registers

Offsets: 0xf4a, 0xf52, ..., 0xf6a, 0xf72

Table 1407. KEY1_2, KEY2_2, ..., KEY5_2, KEY6_2 Registers

| Bits | Description | Type | Reset |
|-------|---|------|-------|
| 31:16 | Reserved. | - | - |
| 15:0 | Bits 47:32 of OTP access key <i>n</i> (ECC) | RO | - |

OTP_DATA: KEY1_3, KEY2_3, ..., KEY5_3, KEY6_3 Registers

Offsets: 0xf4b, 0xf53, ..., 0xf6b, 0xf73

Table 1408. KEY1_3, KEY2_3, ..., KEY5_3, KEY6_3 Registers

| Bits | Description | Type | Reset |
|-------|---|------|-------|
| 31:16 | Reserved. | - | - |
| 15:0 | Bits 63:48 of OTP access key <i>n</i> (ECC) | RO | - |

OTP_DATA: KEY1_4, KEY2_4, ..., KEY5_4, KEY6_4 Registers

Offsets: 0xf4c, 0xf54, ..., 0xf6c, 0xf74

Table 1409. KEY1_4, KEY2_4, ..., KEY5_4, KEY6_4 Registers

| Bits | Description | Type | Reset |
|-------|---|------|-------|
| 31:16 | Reserved. | - | - |
| 15:0 | Bits 79:64 of OTP access key <i>n</i> (ECC) | RO | - |

OTP_DATA: KEY1_5, KEY2_5, ..., KEY5_5, KEY6_5 Registers

Offsets: 0xf4d, 0xf55, ..., 0xf6d, 0xf75

Table 1410. KEY1_5, KEY2_5, ..., KEY5_5, KEY6_5 Registers

| Bits | Description | Type | Reset |
|-------|---|------|-------|
| 31:16 | Reserved. | - | - |
| 15:0 | Bits 95:80 of OTP access key <i>n</i> (ECC) | RO | - |

OTP_DATA: KEY1_6, KEY2_6, ..., KEY5_6, KEY6_6 Registers

Offsets: 0xf4e, 0xf56, ..., 0xf6e, 0xf76

Table 1411. KEY1_6, KEY2_6, ..., KEY5_6, KEY6_6 Registers

| Bits | Description | Type | Reset |
|-------|--|------|-------|
| 31:16 | Reserved. | - | - |
| 15:0 | Bits 111:96 of OTP access key <i>n</i> (ECC) | RO | - |

OTP_DATA: KEY1_7, KEY2_7, ..., KEY5_7, KEY6_7 Registers

Offsets: 0xf4f, 0xf57, ..., 0xf6f, 0xf77

Table 1412. KEY1_7, KEY2_7, ..., KEY5_7, KEY6_7 Registers

| Bits | Description | Type | Reset |
|-------|---|------|-------|
| 31:16 | Reserved. | - | - |
| 15:0 | Bits 127:112 of OTP access key <i>n</i> (ECC) | RO | - |

OTP_DATA: KEY1_VALID Register

Offset: 0xf79

Description

Valid flag for key 1. Once the valid flag is set, the key can no longer be read or written, and becomes a valid fixed key for protecting OTP pages.

Table 1413.
KEY1_VALID Register

| Bits | Description | Type | Reset |
|-------|---|------|-------|
| 31:17 | Reserved. | - | - |
| 16 | VALID_R2 : Redundant copy of VALID, with 3-way majority vote | RO | - |
| 15:9 | Reserved. | - | - |
| 8 | VALID_R1 : Redundant copy of VALID, with 3-way majority vote | RO | - |
| 7:1 | Reserved. | - | - |
| 0 | VALID | RO | - |

OTP_DATA: KEY2_VALID Register

Offset: 0xf7a

Description

Valid flag for key 2. Once the valid flag is set, the key can no longer be read or written, and becomes a valid fixed key for protecting OTP pages.

Table 1414.
KEY2_VALID Register

| Bits | Description | Type | Reset |
|-------|---|------|-------|
| 31:17 | Reserved. | - | - |
| 16 | VALID_R2 : Redundant copy of VALID, with 3-way majority vote | RO | - |
| 15:9 | Reserved. | - | - |
| 8 | VALID_R1 : Redundant copy of VALID, with 3-way majority vote | RO | - |
| 7:1 | Reserved. | - | - |
| 0 | VALID | RO | - |

OTP_DATA: KEY3_VALID Register

Offset: 0xf7b

Description

Valid flag for key 3. Once the valid flag is set, the key can no longer be read or written, and becomes a valid fixed key for protecting OTP pages.

Table 1415.
KEY3_VALID Register

| Bits | Description | Type | Reset |
|-------|---|------|-------|
| 31:17 | Reserved. | - | - |
| 16 | VALID_R2 : Redundant copy of VALID, with 3-way majority vote | RO | - |
| 15:9 | Reserved. | - | - |
| 8 | VALID_R1 : Redundant copy of VALID, with 3-way majority vote | RO | - |
| 7:1 | Reserved. | - | - |
| 0 | VALID | RO | - |

OTP_DATA: KEY4_VALID Register

Offset: 0xf7c

Description

Valid flag for key 4. Once the valid flag is set, the key can no longer be read or written, and becomes a valid fixed key for protecting OTP pages.

Table 1416.
KEY4_VALID Register

| Bits | Description | Type | Reset |
|-------|---|------|-------|
| 31:17 | Reserved. | - | - |
| 16 | VALID_R2 : Redundant copy of VALID, with 3-way majority vote | RO | - |
| 15:9 | Reserved. | - | - |
| 8 | VALID_R1 : Redundant copy of VALID, with 3-way majority vote | RO | - |
| 7:1 | Reserved. | - | - |
| 0 | VALID | RO | - |

OTP_DATA: KEY5_VALID Register

Offset: 0xf7d

Description

Valid flag for key 5. Once the valid flag is set, the key can no longer be read or written, and becomes a valid fixed key for protecting OTP pages.

Table 1417.
KEY5_VALID Register

| Bits | Description | Type | Reset |
|-------|---|------|-------|
| 31:17 | Reserved. | - | - |
| 16 | VALID_R2 : Redundant copy of VALID, with 3-way majority vote | RO | - |
| 15:9 | Reserved. | - | - |
| 8 | VALID_R1 : Redundant copy of VALID, with 3-way majority vote | RO | - |
| 7:1 | Reserved. | - | - |
| 0 | VALID | RO | - |

OTP_DATA: KEY6_VALID Register

Offset: 0xf7e

Description

Valid flag for key 6. Once the valid flag is set, the key can no longer be read or written, and becomes a valid fixed key for protecting OTP pages.

Table 1418.
KEY6_VALID Register

| Bits | Description | Type | Reset |
|-------|---|------|-------|
| 31:17 | Reserved. | - | - |
| 16 | VALID_R2 : Redundant copy of VALID, with 3-way majority vote | RO | - |
| 15:9 | Reserved. | - | - |
| 8 | VALID_R1 : Redundant copy of VALID, with 3-way majority vote | RO | - |
| 7:1 | Reserved. | - | - |
| 0 | VALID | RO | - |

OTP_DATA: PAGE0_LOCK0, PAGE1_LOCK0, ..., PAGE61_LOCK0, PAGE62_LOCK0 Registers

Offsets: 0xf80, 0xf82, ..., 0xffa, 0xffc

Description

Lock configuration LSBs for page *N* (rows 0x40 * *N* through 0x40 * *N* + 0x3f). Locks are stored with 3-way majority vote encoding, so that bits can be set independently.

This OTP location is always readable, and is write-protected by its own permissions.

Table 1419.
PAGE0_LOCK0,
PAGE1_LOCK0, ...,
PAGE61_LOCK0,
PAGE62_LOCK0
Registers

| Bits | Description | Type | Reset |
|-------|--|------|-------|
| 31:24 | Reserved. | - | - |
| 23:16 | R2 : Redundant copy of bits 7:0 | RO | - |
| 15:8 | R1 : Redundant copy of bits 7:0 | RO | - |
| 7 | Reserved. | - | - |
| 6 | NO_KEY_STATE : State when at least one key is registered for this page and no matching key has been entered. | RO | - |
| | Enumerated values: | | |
| | 0x0 → READ_ONLY | | |
| | 0x1 → INACCESSIBLE | | |
| 5:3 | KEY_R : Index 1-6 of a hardware key which must be entered to grant read access, or 0 if no such key is required. | RO | - |
| 2:0 | KEY_W : Index 1-6 of a hardware key which must be entered to grant write access, or 0 if no such key is required. | RO | - |

OTP_DATA: PAGE0_LOCK1, PAGE1_LOCK1, ..., PAGE61_LOCK1, PAGE62_LOCK1 Registers

Offsets: 0xf81, 0xf83, ..., 0xffb, 0xffd

Description

Lock configuration MSBs for page *N* (rows 0x40 * *N* through 0x40 * *N* + 0x3f). Locks are stored with 3-way majority vote encoding, so that bits can be set independently.

This OTP location is always readable, and is write-protected by its own permissions.

Table 1420.
PAGE0_LOCK1,
PAGE1_LOCK1, ...,
PAGE61_LOCK1,
PAGE62_LOCK1
Registers

| Bits | Description | Type | Reset |
|-------|---|------|-------|
| 31:24 | Reserved. | - | - |
| 23:16 | R2 : Redundant copy of bits 7:0 | RO | - |
| 15:8 | R1 : Redundant copy of bits 7:0 | RO | - |
| 7:6 | Reserved. | - | - |
| 5:4 | LOCK_BL : Dummy lock bits reserved for bootloaders (including the RP2350 USB bootloader) to store their own OTP access permissions. No hardware effect, and no corresponding SW_LOCKx registers. | RO | - |
| | Enumerated values: | | |
| | 0x0 → READ_WRITE: Bootloader permits user reads and writes to this page | | |
| | 0x1 → READ_ONLY: Bootloader permits user reads of this page | | |
| | 0x2 → RESERVED: Do not use. Behaves the same as INACCESSIBLE | | |
| | 0x3 → INACCESSIBLE: Bootloader does not permit user access to this page | | |

| Bits | Description | Type | Reset |
|------|--|------|-------|
| 3:2 | <p>LOCK_NS: Lock state for Non-secure accesses to this page. Thermometer-coded, so lock state can be advanced permanently from any state to any less-permissive state by programming OTP. Software can also advance the lock state temporarily (until next OTP reset) using the SW_LOCKx registers.</p> <p>Note that READ_WRITE and READ_ONLY are equivalent in hardware, as the SBPI programming interface is not accessible to Non-secure software. However, Secure software may check these bits to apply write permissions to a Non-secure OTP programming API.</p> | RO | - |
| | Enumerated values: | | |
| | 0x0 → READ_WRITE: Page can be read by Non-secure software, and Secure software may permit Non-secure writes. | | |
| | 0x1 → READ_ONLY: Page can be read by Non-secure software | | |
| | 0x2 → RESERVED: Do not use. Behaves the same as INACCESSIBLE. | | |
| | 0x3 → INACCESSIBLE: Page can not be accessed by Non-secure software. | | |
| 1:0 | <p>LOCK_S: Lock state for Secure accesses to this page. Thermometer-coded, so lock state can be advanced permanently from any state to any less-permissive state by programming OTP. Software can also advance the lock state temporarily (until next OTP reset) using the SW_LOCKx registers.</p> | RO | - |
| | Enumerated values: | | |
| | 0x0 → READ_WRITE: Page is fully accessible by Secure software. | | |
| | 0x1 → READ_ONLY: Page can be read by Secure software, but can not be written. | | |
| | 0x2 → RESERVED: Do not use. Behaves the same as INACCESSIBLE. | | |
| | 0x3 → INACCESSIBLE: Page can not be accessed by Secure software. | | |

OTP_DATA: PAGE63_LOCK0 Register

Offset: 0xffe

Description

Lock configuration LSBs for page 63 (rows 0xfc0 through 0xfff). Locks are stored with 3-way majority vote encoding, so that bits can be set independently.

This OTP location is always readable, and is write-protected by its own permissions.

Table 1421.
PAGE63_LOCK0
Register

| Bits | Description | Type | Reset |
|-------|---|------|-------|
| 31:24 | Reserved. | - | - |
| 23:16 | R2: Redundant copy of bits 7:0 | RO | - |
| 15:8 | R1: Redundant copy of bits 7:0 | RO | - |
| 7 | RMA: Decommission for RMA of a suspected faulty device. This re-enables the factory test JTAG interface, and makes pages 3 through 61 of the OTP permanently inaccessible. | RO | - |
| 6 | NO_KEY_STATE: State when at least one key is registered for this page and no matching key has been entered. | RO | - |
| | Enumerated values: | | |

| Bits | Description | Type | Reset |
|------|--|------|-------|
| | 0x0 → READ_ONLY | | |
| | 0x1 → INACCESSIBLE | | |
| 5:3 | KEY_R : Index 1-6 of a hardware key which must be entered to grant read access, or 0 if no such key is required. | RO | - |
| 2:0 | KEY_W : Index 1-6 of a hardware key which must be entered to grant write access, or 0 if no such key is required. | RO | - |

OTP_DATA: PAGE63_LOCK1 Register

Offset: 0xfff

Description

Lock configuration MSBs for page 63 (rows 0xfc0 through 0xfff). Locks are stored with 3-way majority vote encoding, so that bits can be set independently.

This OTP location is always readable, and is write-protected by its own permissions.

Table 1422.
PAGE63_LOCK1
Register

| Bits | Description | Type | Reset |
|-------|--|------|-------|
| 31:24 | Reserved. | - | - |
| 23:16 | R2 : Redundant copy of bits 7:0 | RO | - |
| 15:8 | R1 : Redundant copy of bits 7:0 | RO | - |
| 7:6 | Reserved. | - | - |
| 5:4 | LOCK_BL : Dummy lock bits reserved for bootloaders (including the RP2350 USB bootloader) to store their own OTP access permissions. No hardware effect, and no corresponding SW_LOCKx registers. | RO | - |
| | Enumerated values: | | |
| | 0x0 → READ_WRITE: Bootloader permits user reads and writes to this page | | |
| | 0x1 → READ_ONLY: Bootloader permits user reads of this page | | |
| | 0x2 → RESERVED: Do not use. Behaves the same as INACCESSIBLE | | |
| | 0x3 → INACCESSIBLE: Bootloader does not permit user access to this page | | |
| 3:2 | LOCK_NS : Lock state for Non-secure accesses to this page. Thermometer-coded, so lock state can be advanced permanently from any state to any less-permissive state by programming OTP. Software can also advance the lock state temporarily (until next OTP reset) using the SW_LOCKx registers. Note that READ_WRITE and READ_ONLY are equivalent in hardware, as the SBPI programming interface is not accessible to Non-secure software. However, Secure software may check these bits to apply write permissions to a Non-secure OTP programming API. | RO | - |
| | Enumerated values: | | |
| | 0x0 → READ_WRITE: Page can be read by Non-secure software, and Secure software may permit Non-secure writes. | | |
| | 0x1 → READ_ONLY: Page can be read by Non-secure software | | |
| | 0x2 → RESERVED: Do not use. Behaves the same as INACCESSIBLE. | | |
| | 0x3 → INACCESSIBLE: Page can not be accessed by Non-secure software. | | |

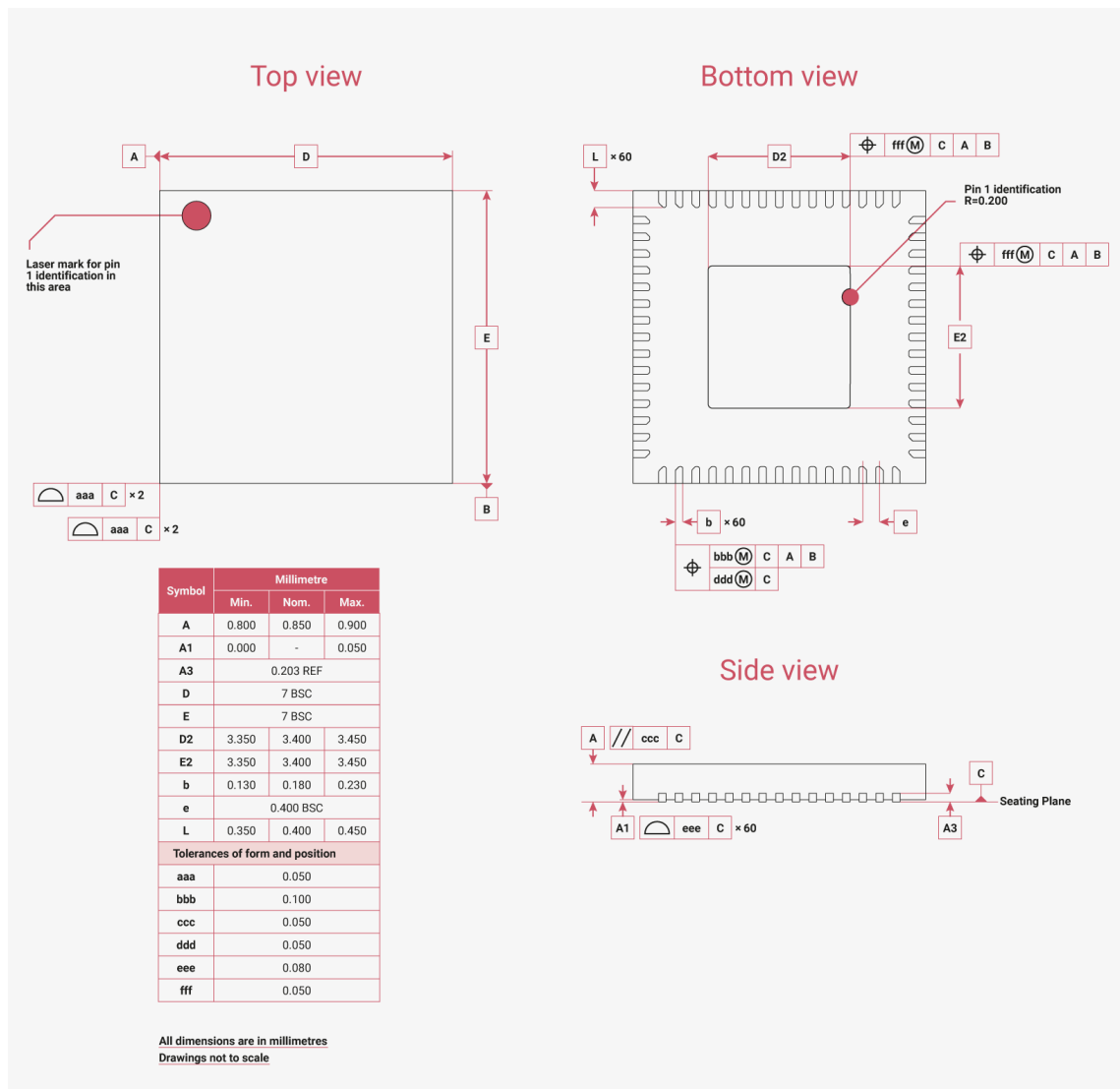
| Bits | Description | Type | Reset |
|------|---|------|-------|
| 1:0 | LOCK_S : Lock state for Secure accesses to this page. Thermometer-coded, so lock state can be advanced permanently from any state to any less-permissive state by programming OTP. Software can also advance the lock state temporarily (until next OTP reset) using the SW_LOCKx registers. | RO | - |
| | Enumerated values: | | |
| | 0x0 → READ_WRITE: Page is fully accessible by Secure software. | | |
| | 0x1 → READ_ONLY: Page can be read by Secure software, but can not be written. | | |
| | 0x2 → RESERVED: Do not use. Behaves the same as INACCESSIBLE. | | |
| | 0x3 → INACCESSIBLE: Page can not be accessed by Secure software. | | |

Chapter 14. Electrical and mechanical

This section contains physical and electrical details for RP2350.

14.1. QFN-60 package

Figure 143. Top down view (left, top) and side view (right, bottom), along with bottom view (right, top) of the RP2350 QFN-60 package



NOTE

Leads have a matte Tin (Sn) finish. Annealing is done post-plating, baking at 150°C for 1 hour. Minimum thickness for lead plating is 8 microns, and the intermediate layer material is CuFe2P (roughened Copper (Cu)).

14.1.1. Thermal characteristics

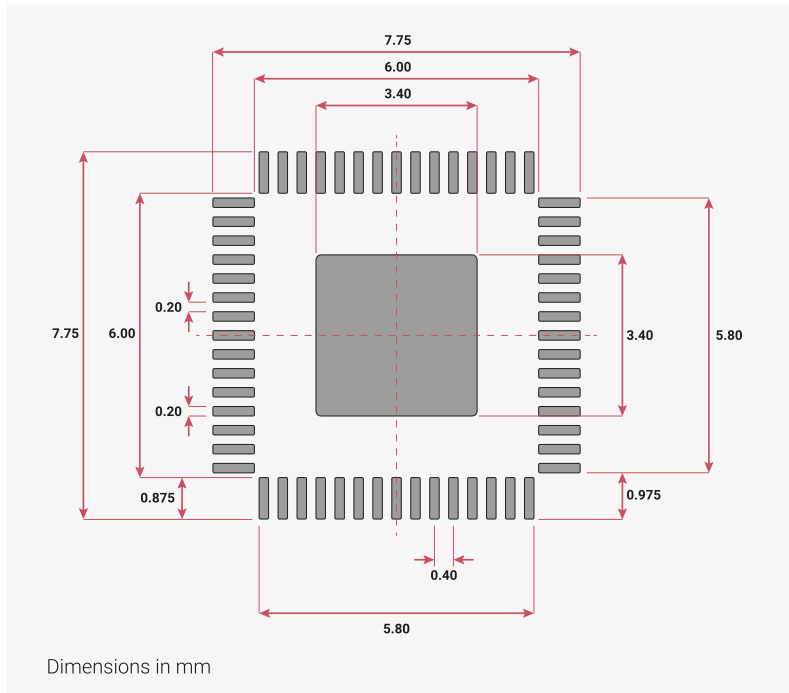
The thermal characteristics of the QFN-60 package are shown in [Table 1423](#).

Table 1423. Thermal data for the QFN-60 package.

| Device | θ_{JA} (°C/W) - Still Air | θ_{JA} (°C/W) - 1m/s Forced Air | θ_{JA} (°C/W) - 2m/s Forced Air | θ_{JB} (°C/W) | θ_{JC} (°C/W) |
|---------|----------------------------------|--|--|----------------------|----------------------|
| RP2350A | 40.542 | 31.99 | 30.264 | 12.588 | 14.315 |
| RP2354A | TBD | TBD | TBD | TBD | TBD |

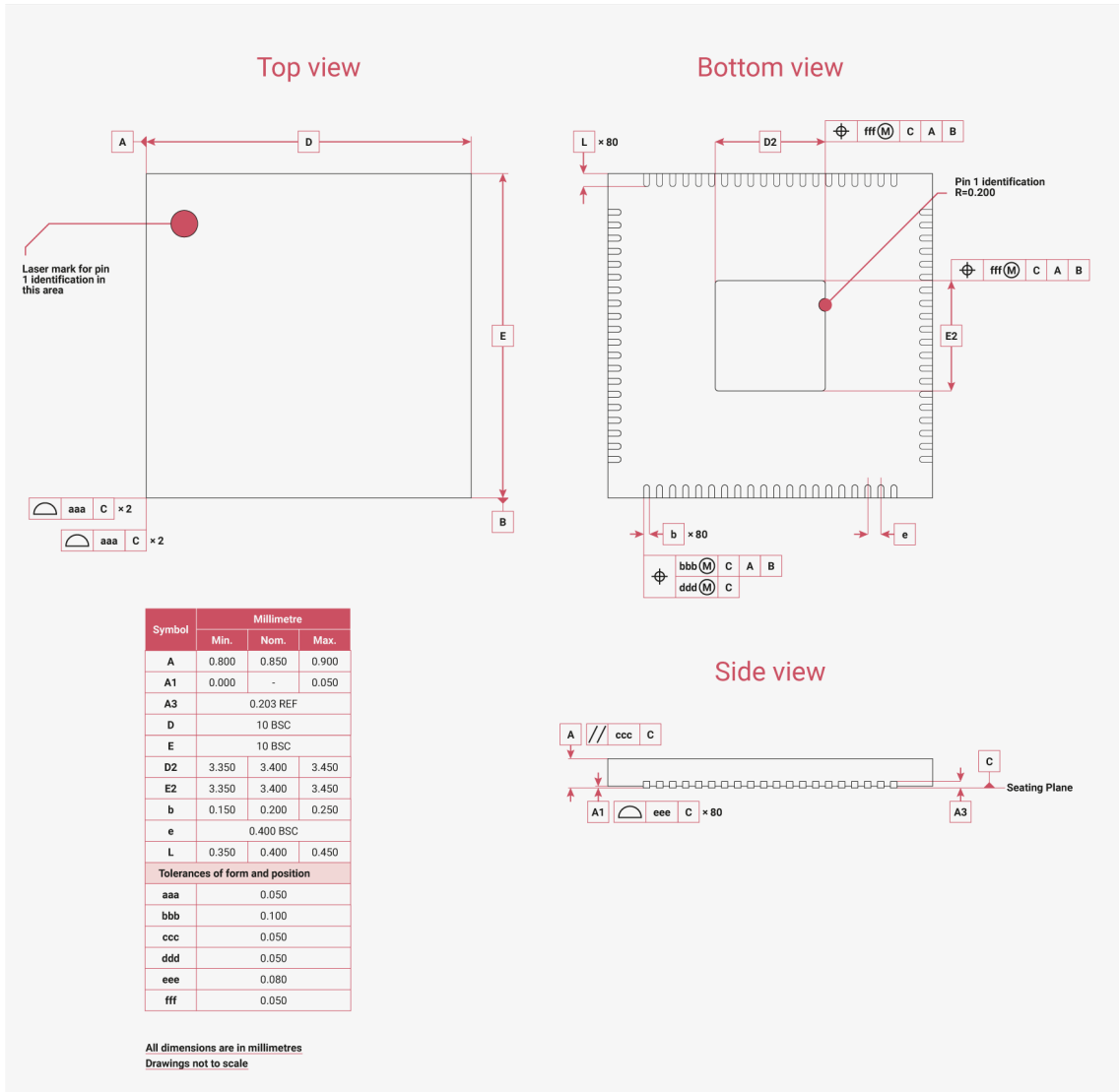
14.1.2. Recommended PCB footprint

Figure 144. Recommended PCB Footprint for the RP2350 QFN-60 package



14.2. QFN-80 package

Figure 145. Top down view (left, top) and side view (right, bottom), along with bottom view (right, top) of the RP2350 QFN-80 package



NOTE

Leads have a matte Tin (Sn) finish. Annealing is done post-plating, baking at 150°C for 1 hour. Minimum thickness for lead plating is 8 microns, and the intermediate layer material is CuFe2P (roughened Copper (Cu)).

14.2.1. Thermal characteristics

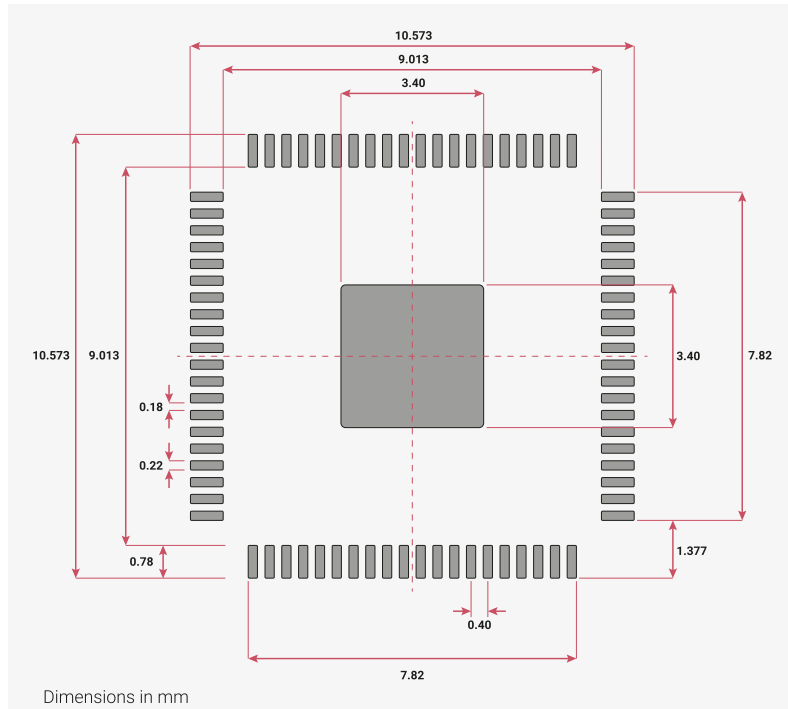
The thermal characteristics of the QFN-80 package are shown in Table 1424.

Table 1424. Thermal data for the QFN-80 package.

| Device | θ_{JA} (°C/W) - Still Air | θ_{JA} (°C/W) - 1m/s Forced Air | θ_{JA} (°C/W) - 2m/s Forced Air | θ_{JB} (°C/W) | θ_{JC} (°C/W) |
|---------|----------------------------------|--|--|----------------------|----------------------|
| RP2350B | TBD | TBD | TBD | TBD | TBD |
| RP2354B | TBD | TBD | TBD | TBD | TBD |

14.2.2. Recommended PCB footprint

Figure 146.
Recommended PCB
Footprint for the
RP2350 QFN-80
package



14.3. Flash in package

RP2354A and RP2354B feature 2 MB of internal flash. In all other respects, including pinout, they are identical to their flashless counterparts RP2350A and RP2350B. They use the same QFN-60 (RP2354A) and QFN-80 (RP2354B) packages. An RP2354 device contains two stacked silicon die:

- the same RP2350 die as the flashless variants
- a Winbond W25Q16JVWI QSPI NOR flash

Winbond W25Q16JVWI datasheet

For detailed information on the W25Q16JVWI device used in RP2354 see:

www.winbond.com/hq/product/code-storage-flash-memory/serial-nor-flash/?_locale=en&partNo=W25Q16JV

The six dedicated QSPI pads on the RP2350 die (**CSn**, **SCK** and **SD0** through **SD3**) connect to both the internal flash die and the external package pins. This makes them behave similarly to flashless RP2350 devices in the following ways:

- The QSPI **CSn** can be driven low at reset or power-up to select BOOTSEL mode
 - This harmlessly selects the internal flash die but does not issue commands to it
- The QSPI **SD1** pin can be driven high when selecting BOOTSEL to choose UART boot
 - UART TX appears on **SD2** and UART RX on **SD3**, as per [Section 5.8](#)
 - Even with the chip select asserted low, the internal flash die maintains a high-impedance state on its **SD0** through **SD3** pins if there are no transitions on **SCK**, so you can keep **CSn** asserted throughout UART boot
- Internal flash can be programmed via UF2 drag-and-drop download using the USB BOOTSEL mode
- A second QSPI device can be attached externally by connecting it to the QSPI pins and a secondary chip select from the Bank 0 GPIOs
 - This may be used for additional flash capacity, or external QSPI RAM

- See [Section 12.14](#) for more details of the RP2350 QSPI memory interface and its capabilities

The internal flash die can also be programmed externally by holding the RP2350 die in reset via the **RUN** pin (active-low reset), and driving QSPI signals *into* the chip from an external programmer.

The internal flash is powered by the QSPI_IOVDD supply input. This voltage must be in the range 2.7 to 3.6 V. You should account for the increased high-frequency currents on this supply pin in your decoupling circuit and PCB layout.

The maximum QSPI clock frequency of the W25Q16JVWI is 133 MHz. Consult the W25Q16JVWI datasheet for detailed timings and AC parameters.

If you do not require access to the RP2350 QSPI bus from the outside, you should minimise the track length connected to the QSPI package pins on your PCB. This avoids unnecessary emissions and capacitive loading of the QSPI bus.

The PADRESETB reset input on the W25Q16JVWI is not connected to any external package pins, or to any internal signals on the RP2350 die. This means there is no way to perform a hardware reset of the flash die. When the RP2350 die comes out of reset it initialises the flash die in the same way it would an external flash device by issuing a fixed XIP exit sequence that returns the flash die to a serial command state in preparation for execute-in-place setup.

14.4. Package markings

RP2350 comes in 7 × 7 mm QFN-60 and 10 × 10 mm QFN-80 packages, which are marked with the following data:

- Pin 1 dot
- Logo
- Part number
- Date code (Week)
- Silicon lot number
- Date code (Year)

The part number consists of the following:

- Device name "RP2350"
- Package type, "A" for QFN-60 or "B" for QFN-80
- Package revision "0"
- Die stepping "A2", "A3", or "A4"

See [Appendix C](#) for a summary of the differences between die steppings.

14.5. Storage conditions

To preserve the shelf and floor life of bare RP2350 devices, follow JEDEC J-STD (020E & 033D).

RP2350 QFN-60 is classified as Moisture Sensitivity Level 1 (MSL1). The MSL of QFN-80 is still being characterised and details will follow in a future datasheet update.

All RP2350 devices should be stored under 30°C and 85% relative humidity.

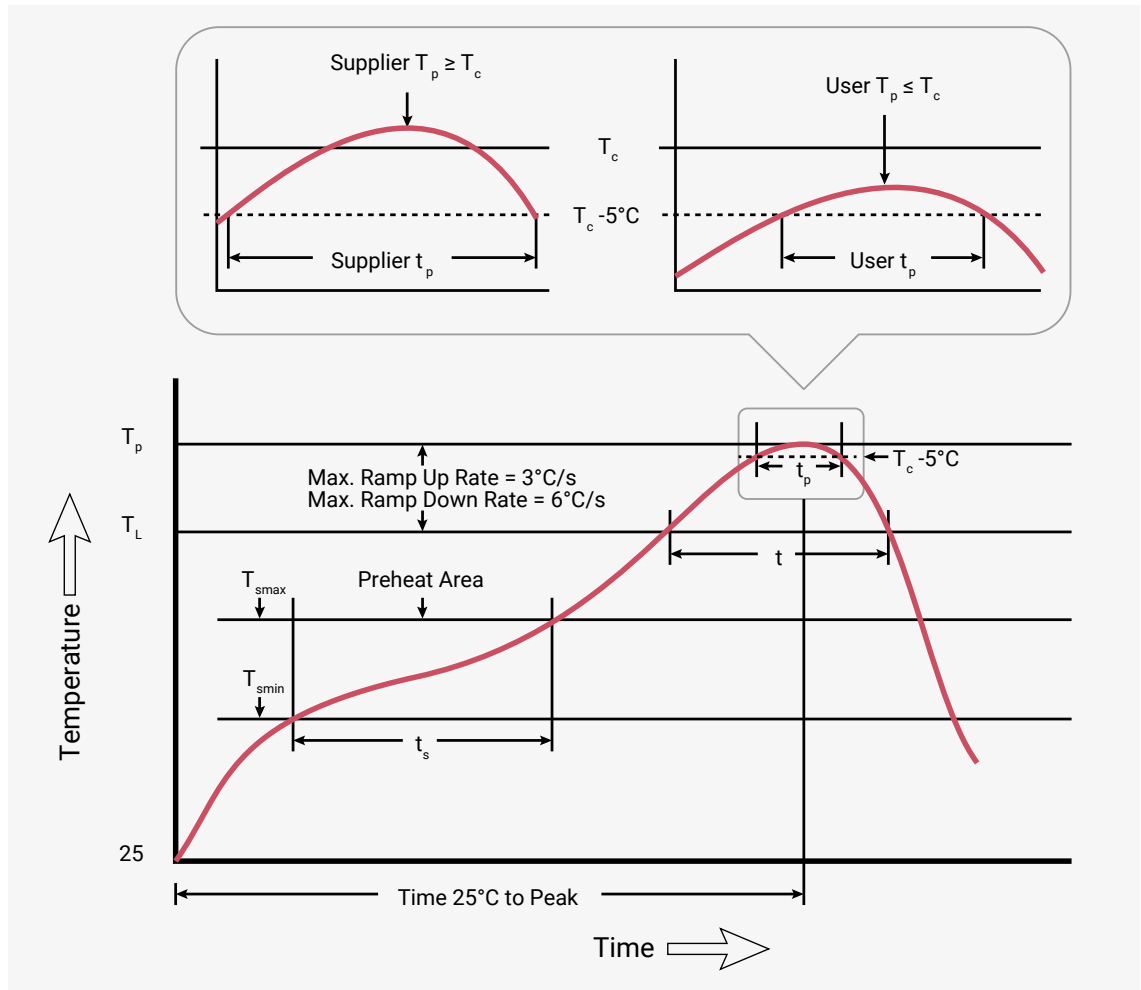
14.6. Solder profile

RP2350 is a Pb-free part, with a T_p value of 260°C.

All temperatures refer to the centre of the package, measured on the package body surface that faces up during

assembly reflow (live-bug orientation). If parts are reflowed in a different orientation (e.g. dead-bug), T_p shall be within $\pm 2^\circ\text{C}$ of the live-bug T_p and still meet the T_c requirements; otherwise, you must adjust the profile to achieve the latter.

Figure 147. Classification profile (not to scale)



Reflow profiles in this document are for classification/preconditioning, and are not meant to specify board assembly profiles. Actual board assembly profiles should be developed based on specific process needs and board designs, and should not exceed the parameters in Table 1425.

Table 1425. Solder profile values

| Profile feature | Value |
|---|-------------------------------|
| Temperature min (T_{smin}) | 150°C |
| Temperature max (T_{smax}) | 200°C |
| Time (t_s) from (T_{smin} to T_{smax}) | 60 - 120 seconds |
| Ramp-up rate (T_L to T_p) | $3^\circ\text{C/second max.}$ |
| Liquidous temperature (T_L) | 217°C |
| Time (t_l) maintained above T_L | 60 to 150 seconds |
| Peak package body temperature (T_p) | 260°C |
| Classification temperature (T_c) | 260°C |
| Time (t_p) within 5°C of the specified classification temperature (T_c) | 30 seconds |
| Ramp-down rate (T_p to T_L) | $6^\circ\text{C/second max.}$ |
| Time 25°C to peak temperature | 8 minutes max. |

14.7. Compliance

RP2350 QFN-60 is compliant to Moisture Sensitivity Level 1. The Moisture Sensitivity Level compliance of RP2350 QFN-80 is yet to be fully characterised, and details will follow in a future datasheet update.

RP2350 is compliant to the requirement of REACH Substances of Very High Concern (SVHC), EU ECHA directive.

RP2350 is compliant to the requirement and standard of Controlled Environment-related Substance of RoHS directive (EU) 2011/65/EU and directive (EU) 2015/863.

Raspberry Pi Ltd carried out the following Package Level reliability qualifications on RP2350:

- Temperature Cycling per JESD22-A104
- HAST per JESD22-A110
- HTSL per JESD22-A103
- MSL level per JESD22-A113

The following Silicon Level reliability qualification were also carried out:

- HTOL per JESD22-A108F

i NOTE

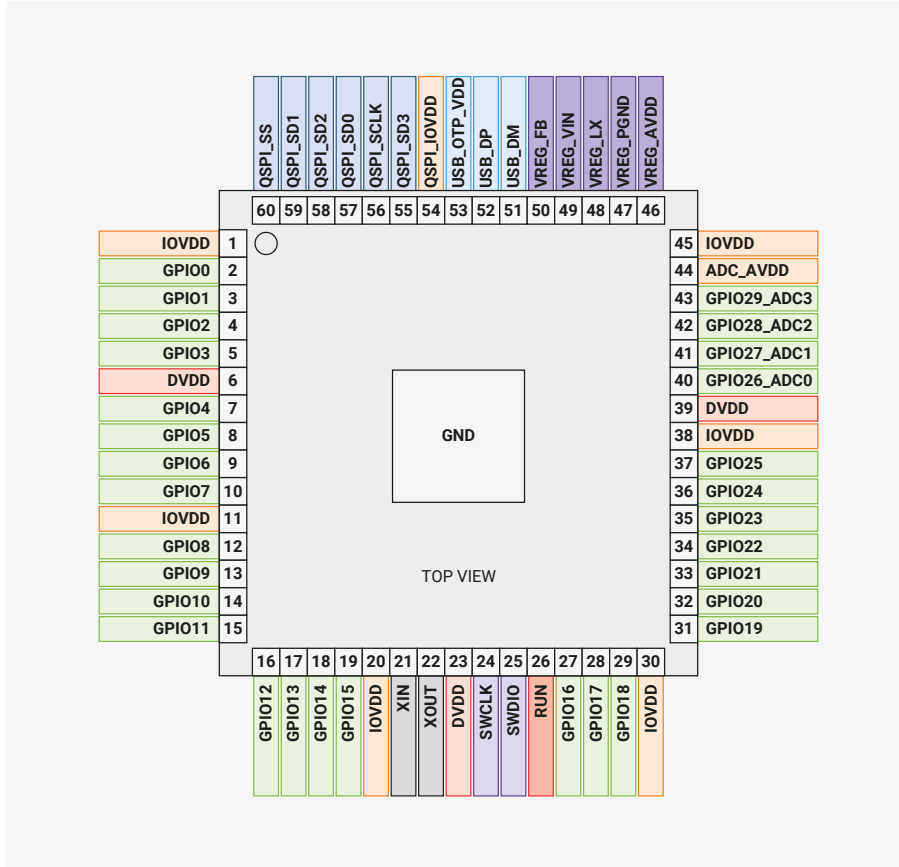
A tin whiskers test is not performed. RP2350 is a bottom-only termination device in the QFN-60 and QFN-80 packages, therefore JEDEC standard (JESD201A) is not applicable.

14.8. Pinout

14.8.1. Pin locations

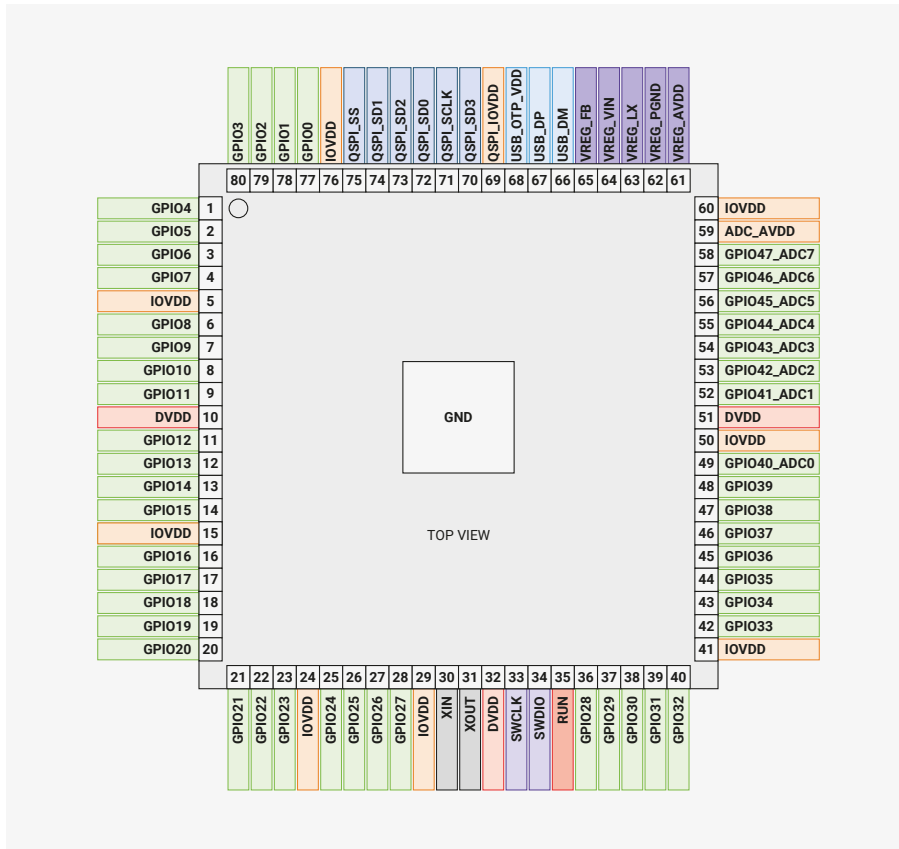
14.8.1.1. QFN-60 (RP2350A)

Figure 148. RP2350
Pinout for QFN-60
7x7mm



14.8.1.2. QFN-80 (RP2350B)

Figure 149. RP2350
Pinout for QFN-80
10x10mm



14.8.2. Pin definitions

14.8.2.1. Pin types

In the following pin tables (Table 1427), the pin types are defined as shown below.

Table 1426. Pin Types

| Pin Type | Direction | Description |
|-----------------------|--|---|
| Digital In | Input only | Standard Digital. Programmable Pull-Up, Pull-Down, Slew Rate, Schmitt Trigger and Drive Strength. Default Drive Strength is 4 mA. |
| Digital IO | Bi-directional | |
| Digital In (FT) | Input only | Fault Tolerant Digital. These pins are described as Fault Tolerant, which in this case means that very little current flows into the pin whilst it is below 3.63 V and IOVDD is 0 V. Additionally, they will tolerate voltages up to 5.5 V, provided IOVDD is powered to 3.3 V. These pins have enhanced ESD protection. Programmable Pull-Up, Pull-Down, Slew Rate, Schmitt Trigger and Drive Strength. Default Drive Strength is 4 mA. |
| Digital IO (FT) | Bi-directional | |
| Digital IO / Analogue | Bi-directional (digital), Input (Analogue) | Standard Digital and ADC input. Programmable Pull-Up, Pull-Down, Slew Rate, Schmitt Trigger and Drive Strength. Default Drive Strength is 4 mA. |
| USB IO | Bi-directional | These pins are for USB use, and contain internal pull-up and pull-down resistors, as per the USB specification. USB operation requires external 27Ω series resistors. |
| Analogue (XOSC) | | Oscillator input pins for attaching a 12 MHz crystal. Alternatively, XIN may be driven by a square wave. |

14.8.2.2. Pin list

Table 1427. GPIO pins

| Name | QFN-60 Number | QFN-80 Number | Type | Power Domain | Reset State | Description |
|--------|---------------|---------------|-----------------|--------------|-------------|-------------|
| GPIO0 | 2 | 77 | Digital IO (FT) | IOVDD | Pull-Down | User IO |
| GPIO1 | 3 | 78 | Digital IO (FT) | IOVDD | Pull-Down | User IO |
| GPIO2 | 4 | 79 | Digital IO (FT) | IOVDD | Pull-Down | User IO |
| GPIO3 | 5 | 80 | Digital IO (FT) | IOVDD | Pull-Down | User IO |
| GPIO4 | 7 | 1 | Digital IO (FT) | IOVDD | Pull-Down | User IO |
| GPIO5 | 8 | 2 | Digital IO (FT) | IOVDD | Pull-Down | User IO |
| GPIO6 | 9 | 3 | Digital IO (FT) | IOVDD | Pull-Down | User IO |
| GPIO7 | 10 | 4 | Digital IO (FT) | IOVDD | Pull-Down | User IO |
| GPIO8 | 12 | 6 | Digital IO (FT) | IOVDD | Pull-Down | User IO |
| GPIO9 | 13 | 7 | Digital IO (FT) | IOVDD | Pull-Down | User IO |
| GPIO10 | 14 | 8 | Digital IO (FT) | IOVDD | Pull-Down | User IO |
| GPIO11 | 15 | 9 | Digital IO (FT) | IOVDD | Pull-Down | User IO |
| GPIO12 | 16 | 11 | Digital IO (FT) | IOVDD | Pull-Down | User IO |
| GPIO13 | 17 | 12 | Digital IO (FT) | IOVDD | Pull-Down | User IO |
| GPIO14 | 18 | 13 | Digital IO (FT) | IOVDD | Pull-Down | User IO |

| Name | QFN-60 Number | QFN-80 Number | Type | Power Domain | Reset State | Description |
|-------------|---------------|---------------|--------------------------|---------------------|-------------|-------------------------|
| GPI015 | 19 | 14 | Digital IO (FT) | IOVDD | Pull-Down | User IO |
| GPI016 | 27 | 16 | Digital IO (FT) | IOVDD | Pull-Down | User IO |
| GPI017 | 28 | 17 | Digital IO (FT) | IOVDD | Pull-Down | User IO |
| GPI018 | 29 | 18 | Digital IO (FT) | IOVDD | Pull-Down | User IO |
| GPI019 | 31 | 19 | Digital IO (FT) | IOVDD | Pull-Down | User IO |
| GPI020 | 32 | 20 | Digital IO (FT) | IOVDD | Pull-Down | User IO |
| GPI021 | 33 | 21 | Digital IO (FT) | IOVDD | Pull-Down | User IO |
| GPI022 | 34 | 22 | Digital IO (FT) | IOVDD | Pull-Down | User IO |
| GPI023 | 35 | 23 | Digital IO (FT) | IOVDD | Pull-Down | User IO |
| GPI024 | 36 | 25 | Digital IO (FT) | IOVDD | Pull-Down | User IO |
| GPI025 | 37 | 26 | Digital IO (FT) | IOVDD | Pull-Down | User IO |
| GPI026_ADC0 | 40 | - | Digital IO / Analogue | IOVDD / ADC_AVDD | Pull-Down | User IO or ADC input |
| GPI027_ADC1 | 41 | - | Digital IO / Analogue | IOVDD / ADC_AVDD | Pull-Down | User IO or ADC input |
| GPI028_ADC2 | 42 | - | Digital IO / Analogue | IOVDD / ADC_AVDD | Pull-Down | User IO or ADC input |
| GPI029_ADC3 | 43 | - | Digital IO / Analogue | IOVDD / ADC_AVDD | Pull-Down | User IO or ADC input |
| GPI026 | - | 27 | Digital IO (FT) | IOVDD | Pull-Down | User IO |
| GPI027 | - | 28 | Digital IO (FT) | IOVDD | Pull-Down | User IO |
| GPI028 | - | 36 | Digital IO (FT) | IOVDD | Pull-Down | User IO |
| GPI029 | - | 37 | Digital IO (FT) | IOVDD | Pull-Down | User IO |
| GPI030 | - | 38 | Digital IO (FT) | IOVDD | Pull-Down | User IO |
| GPI031 | - | 39 | Digital IO (FT) | IOVDD | Pull-Down | User IO |
| GPI032 | - | 40 | Digital IO (FT) | IOVDD | Pull-Down | User IO |
| GPI033 | - | 42 | Digital IO (FT) | IOVDD | Pull-Down | User IO |
| GPI034 | - | 43 | Digital IO (FT) | IOVDD | Pull-Down | User IO |
| GPI035 | - | 44 | Digital IO (FT) | IOVDD | Pull-Down | User IO |
| GPI036 | - | 45 | Digital IO (FT) | IOVDD | Pull-Down | User IO |
| GPI037 | - | 46 | Digital IO (FT) | IOVDD | Pull-Down | User IO |
| GPI038 | - | 47 | Digital IO (FT) | IOVDD | Pull-Down | User IO |
| GPI039 | - | 48 | Digital IO (FT) | IOVDD | Pull-Down | User IO |
| GPI040_ADC0 | - | 49 | Digital IO / Analogue | IOVDD / ADC_AVDD | Pull-Down | User IO or ADC input |
| GPI041_ADC1 | - | 52 | Digital IO / Analogue | IOVDD / ADC_AVDD | Pull-Down | User IO or ADC input |

| Name | QFN-60 Number | QFN-80 Number | Type | Power Domain | Reset State | Description |
|-------------|---------------|---------------|-----------------------|------------------|-------------|----------------------|
| GPI042_ADC2 | - | 53 | Digital IO / Analogue | IOVDD / ADC_AVDD | Pull-Down | User IO or ADC input |
| GPI043_ADC3 | - | 54 | Digital IO / Analogue | IOVDD / ADC_AVDD | Pull-Down | User IO or ADC input |
| GPI044_ADC4 | - | 55 | Digital IO / Analogue | IOVDD / ADC_AVDD | Pull-Down | User IO or ADC input |
| GPI045_ADC5 | - | 56 | Digital IO / Analogue | IOVDD / ADC_AVDD | Pull-Down | User IO or ADC input |
| GPI046_ADC6 | - | 57 | Digital IO / Analogue | IOVDD / ADC_AVDD | Pull-Down | User IO or ADC input |
| GPI047_ADC7 | - | 58 | Digital IO / Analogue | IOVDD / ADC_AVDD | Pull-Down | User IO or ADC input |

Table 1428. QSPI pins

| Name | QFN-60 Number | QFN-80 Number | Type | Power Domain | Reset State | Description |
|-----------|---------------|---------------|------------|--------------|-------------|--------------------------------|
| QSPI_SD3 | 55 | 70 | Digital IO | QSPI_IOVDD | Pull-Up | QSPI data |
| QSPI_SCLK | 56 | 71 | Digital IO | QSPI_IOVDD | Pull-Down | QSPI clock |
| QSPI_SD0 | 57 | 72 | Digital IO | QSPI_IOVDD | Pull-Down | QSPI data |
| QSPI_SD2 | 58 | 73 | Digital IO | QSPI_IOVDD | Pull-Up | QSPI data |
| QSPI_SD1 | 59 | 74 | Digital IO | QSPI_IOVDD | Pull-Down | QSPI data |
| QSPI_SS | 60 | 75 | Digital IO | QSPI_IOVDD | Pull-Up | QSPI chip select / USB BOOTSEL |

Table 1429. Crystal oscillator pins

| Name | QFN-60 Number | QFN-80 Number | Type | Power Domain | Description |
|------|---------------|---------------|-----------------|--------------|--|
| XIN | 21 | 30 | Analogue (XOSC) | IOVDD | Crystal oscillator. XIN may also be driven by a square wave. |
| XOUT | 22 | 31 | Analogue (XOSC) | IOVDD | Crystal oscillator. |

Table 1430. Miscellaneous pins

| Name | QFN-60 Number | QFN-80 Number | Type | Power Domain | Reset State | Description |
|-------|---------------|---------------|-----------------|--------------|-------------|-------------------------|
| RUN | 26 | 35 | Digital In (FT) | IOVDD | Pull-Up | Chip enable / reset_n |
| SWCLK | 24 | 33 | Digital In (FT) | IOVDD | Pull-Up | Serial Wire Debug clock |
| SWDIO | 25 | 34 | Digital IO (FT) | IOVDD | Pull-Up | Serial Wire Debug data |

Table 1431. USB pins

| Name | QFN-60 Number | QFN-80 Number | Type | Power Domain | Description |
|--------|---------------|---------------|--------|--------------|--|
| USB_DP | 52 | 67 | USB IO | USB_OTP_VDD | USB Data +ve. 27Ω series resistor required for USB operation |

| Name | QFN-60 Number | QFN-80 Number | Type | Power Domain | Description |
|--------|---------------|---------------|--------|--------------|--|
| USB_DM | 51 | 66 | USB IO | USB_OTP_VDD | USB Data -ve. 27Ω series resistor required for USB operation |

Table 1432. Power supply pins

| Name | QFN-60 Number(s) | QFN-80 Number(s) | Description |
|-------------|------------------------|-------------------------------|--|
| DVDD | 6, 23, 39 | 10, 32, 51 | Core supply |
| IOVDD | 11, 20, 30, 38, 45, 54 | 5, 15, 24, 29, 41, 50, 60, 76 | IO supply |
| QSPI_IOVDD | 54 | 69 | QSPI IO supply |
| USB_OTP_VDD | 53 | 68 | USB & OTP supply |
| ADC_AVDD | 44 | 59 | ADC supply |
| VREG_AVDD | 46 | 61 | Voltage regulator analogue supply |
| VREG_PGND | 47 | 62 | Voltage regulator ground |
| VREG_LX | 48 | 63 | Voltage regulator switching output (connect to inductor) |
| VREG_VIN | 49 | 64 | Voltage regulator input supply |
| VREG_FB | 50 | 65 | Voltage regulator feedback input |
| GND | - | - | Ground connection via central exposed pad |

14.9. Electrical specifications

The following electrical specifications are obtained from characterisation over the specified temperature and voltage ranges, as well as process variation, unless the specification is marked as 'Simulated'. In this case, the data is for information purposes only, and is not guaranteed.

14.9.1. Absolute maximum ratings

Stresses beyond the absolute maximum ratings listed in the following table can cause permanent damage to the device. These are stress ratings only and do not refer to the functional operation of the device.

Table 1433. Absolute maximum ratings

| Parameter | Symbol | Conditions | Minimum | Maximum | Units | Comment |
|---|--------|------------|---------|---------|-------|---------|
| Core Supply (DVDD) Voltage | DVDD | | -0.5 | 1.21 | V | |
| I/O Supply (IOVDD) & QSPI Supply (QSPI_IOVDD) Voltage | IOVDD | | -0.5 | 3.63 | V | |

| Parameter | Symbol | Conditions | Minimum | Maximum | Units | Comment |
|--------------------------|---------------|------------|---------|-------------|-------|-----------------------|
| Voltage at IO (Standard) | V_{PIN} | | -0.5 | IOVDD + 0.5 | V | |
| Voltage at IO (FT) | V_{PIN_FT} | IOVDD=3.3V | -0.5 | 5.5 | V | IOVDD must be present |
| | | IOVDD=2.5V | -0.5 | 4.2 | V | |
| | | IOVDD=1.8V | -0.5 | 3.63 | V | |
| | | IOVDD=0V | -0.5 | 3.63 | V | |
| Junction temperature | | | -40 | 125 | °C | |
| Storage temperature | | | | 150 | °C | |

14.9.2. ESD performance

Table 1434. ESD performance for all pins, unless otherwise stated

| Parameter | Symbol | Maximum | Units | Comment |
|---|--------|---------|-------|---|
| Human Body Model | HBM | 2 | kV | Compliant with JEDEC specification JS-001-2012 (April 2012) |
| Human Body Model Digital (FT) pins only | HBM | 4 | kV | Compliant with JEDEC specification JS-001-2012 (April 2012) |
| Charged Device Model | CDM | 500 | V | Compliant with JESD22-C101E (December 2009) |

14.9.3. Thermal performance

Table 1435. Thermal Performance

| Parameter | Symbol | Minimum | Typical | Maximum | Units | Comment |
|---------------------|--------|---------|---------|---------|-------|---------|
| Ambient Temperature | T_C | -40 | | 85 | °C | |

14.9.4. IO electrical characteristics

Table 1436. Digital IO characteristics - Standard and FT unless otherwise stated. In this table IOVDD also refers to QSPI_IOVDD where appropriate

| Parameter | Symbol | Conditions | Minimum | Maximum | Units | Comment |
|----------------------------------|----------|------------|--------------|-------------|-------|---------|
| Pin Input Leakage Current | I_{IN} | | | 1 | µA | |
| Input Voltage High (Standard IO) | V_{IH} | IOVDD=1.8V | 0.65 * IOVDD | IOVDD + 0.3 | V | |
| | | IOVDD=2.5V | 1.7 | IOVDD + 0.3 | V | |
| | | IOVDD=3.3V | 2 | IOVDD + 0.3 | V | |

| Parameter | Symbol | Conditions | Minimum | Maximum | Units | Comment |
|--|-----------------------------|------------|--------------|--------------|-------|---|
| Input Voltage High (FT) | V _{IH} | IOVDD=1.8V | 0.65 * IOVDD | 3.63 | V | IOVDD must be powered to tolerate input voltages above 3.63V |
| | | IOVDD=2.5V | 1.7 | 4.2 | V | |
| | | IOVDD=3.3V | 2 | 5.5 | V | |
| Input Voltage Low | V _{IL} | IOVDD=1.8V | -0.3 | 0.35 * IOVDD | V | |
| | | IOVDD=2.5V | -0.3 | 0.7 | V | |
| | | IOVDD=3.3V | -0.3 | 0.8 | V | |
| Input Hysteresis Voltage | V _{HYS} | IOVDD=1.8V | 0.1 * IOVDD | | V | Schmitt Trigger enabled |
| | | IOVDD=2.5V | 0.2 | | V | |
| | | IOVDD=3.3V | 0.2 | | V | |
| Output Voltage High | V _{OH} | IOVDD=1.8V | 1.24 | IOVDD | V | I _{OH} = 2, 4, 8 or 12mA depending on setting |
| | | IOVDD=2.5V | 1.78 | IOVDD | V | |
| | | IOVDD=3.3V | 2.62 | IOVDD | V | |
| Output Voltage Low | V _{OL} | IOVDD=1.8V | 0 | 0.3 | V | I _{OL} = 2, 4, 8 or 12mA depending on setting |
| | | IOVDD=2.5V | 0 | 0.4 | V | |
| | | IOVDD=3.3V | 0 | 0.5 | V | |
| Pull-Up Resistance | R _{PU} | IOVDD=1.8V | 32 | 106 | kΩ | |
| | | IOVDD=2.5V | 42 | 123 | kΩ | |
| | | IOVDD=3.3V | 32 | 86 | kΩ | |
| Pull-Down Resistance | R _{PD} | IOVDD=1.8V | 35 | 189 | kΩ | |
| | | IOVDD=2.5V | 49 | 180 | kΩ | |
| | | IOVDD=3.3V | 36 | 113 | kΩ | |
| Maximum Total IOVDD current | I _{IOVDD_MAX} | | | 100 | mA | Sum of all current being sourced by GPIO pins |
| Maximum Total QSPI_IOVDD current | I _{QSPI_IOVDD_MAX} | | | 20 | mA | Sum of all current being sourced by QSPI pins |
| Maximum Total VSS current due to GPIO (IOVSS) | I _{IOVSS_MAX} | | | 100 | mA | Sum of all current being sunk into GPIO pins |
| Maximum Total VSS current due to QSPI (QSPL_IOVSS) | I _{QSPL_IOVSS_MAX} | | | 20 | mA | Sum of all current being sunk into QSPI pins |

Table 1437. USB IO characteristics

| Parameter | Symbol | Minimum | Maximum | Units | Comment |
|---------------------------------|--------------|---------|-------------|------------|---------|
| Pin Input Leakage Current | I_{IN} | | 1 | μA | |
| Single Ended Input Voltage High | V_{IHSE} | 2 | | V | |
| Single Ended Input Voltage Low | V_{ILSE} | | 0.8 | V | |
| Differential Input Voltage High | V_{IHDIFF} | 0.2 | | V | |
| Differential Input Voltage Low | V_{ILDIFF} | | -0.2 | V | |
| Output Voltage High | V_{OH} | 2.8 | USB_OTG_VDD | V | |
| Output Voltage Low | V_{OL} | 0 | 0.3 | V | |
| Pull-Up Resistance - RPU2 | R_{PU2} | 0.873 | 1.548 | k Ω | |
| Pull-Up Resistance - RPU1&2 | $R_{PU1\&2}$ | 1.398 | 3.063 | k Ω | |
| Pull-Down Resistance | R_{PD} | 14.25 | 15.75 | k Ω | |

Table 1438. ADC characteristics

| Parameter | Symbol | Minimum | Typical | Maximum | Units | Comment |
|--------------------------|----------------|---------|---------|----------|------------|---------|
| ADC Input Voltage Range | V_{PIN_ADC} | 0 | | ADC_AVDD | V | |
| Effective Number of Bits | ENOB | 9 | 9.5 | | bits | |
| Resolved Bits | | | | 12 | bits | |
| ADC Input Impedance | R_{IN_ADC} | 100 | | | k Ω | |

Table 1439. Oscillator pin characteristics

| Parameter | Symbol | Minimum | Typical | Maximum | Units | Comment |
|-----------------|-----------|---------|---------|---------|-------|--|
| Input Frequency | f_{osc} | 1 | 12 | 50 | MHz | See Section 8.6.3 for restrictions imposed by PLLs. See Section 5.2.8.1 for restrictions imposed by the USB and UART bootloaders. |

| Parameter | Symbol | Minimum | Typical | Maximum | Units | Comment |
|--------------------|----------|------------|---------|-------------|-------|--|
| Input Voltage High | V_{IH} | 0.65*IOVDD | | IOVDD + 0.3 | V | Square Wave input. XIN only. XOUT floating |
| Input Voltage Low | V_{IL} | 0 | | 0.35*IOVDD | V | Square Wave input. XIN only. XOUT floating |

NOTE

By default, USB Bootmode relies on a 12MHz input being present. However OTP can be configured to override the XOSC and PLL settings during USB Bootmode. See [Section 13.10](#) for details.

See [Section 8.2](#) for more details on the Oscillator, and the Minimal Design Example in [Hardware design with RP2350](#) for information on crystal usage.

Table 1440. SWCLK pin characteristics

| Parameter | Symbol | Minimum | Typical | Maximum | Units | Comment |
|-----------------------|-------------|---------|---------|---------|-------|---|
| SWCLK Input Frequency | f_{SWCLK} | 0 | 10 | 50 | MHz | See Table 1430 for SWCLK pin definitions. |

Host-to-target data on the **SWDIO** pin should be transmitted centre-aligned with **SWCLK**. Target-to-host data on the **SWDIO** pin transitions on rising edges of **SWCLK**.

NOTE

RP2350 internal SWD logic in the SW-DP operates reliably up to 50 MHz. However, signal integrity of the external SWD signals may be a challenge.

If you observe unreliable SWD operation such as write data parity errors from the SW-DP, reduce the **SWCLK** frequency. Always connect ground directly between the SWD probe and RP2350 in addition to **SWDIO** and **SWCLK**. Minimise the wire length between the probe and RP2350, and avoid multi-drop wiring at higher frequencies.

14.9.4.1. Interpreting GPIO output voltage specifications

The GPIOs on RP2350 have four different output drive strengths, nominally called 2, 4, 8 and 12mA modes. These are not hard limits, nor do they mean that they will always source (or sink) the selected amount of milliamps.

The amount of current a GPIO sources or sinks is dependent on the load attached. It will attempt to drive the output to the IOVDD level (or 0V in the case of a logic 0), but the amount of current it is able to source is limited and dependent on the selected drive strength.

Therefore the higher the current load is, the lower the voltage will be at the pin. At some point, the GPIO will source so much current and the voltage will drop so low that it won't be recognised as a logic 1 by the input of a connected device. The output specifications in [Table 1436](#) quantify how much lower the voltage can be expected to be when drawing specified amounts of current from the pin.

The Output High Voltage (V_{OH}) is defined as the lowest voltage the output pin can be when driven to a logic 1 with a particular selected drive strength; e.g., 4mA sourced by the pin whilst in 4mA drive strength mode. The Output Low Voltage is similar, but with a logic 0 being driven.

In addition to this, the sum of all the IO currents being sourced (i.e. when outputs are being driven high) from the IOVDD bank (essentially the GPIO and QSPI pins), must not exceed I_{IOVDD_MAX} . Similarly, the sum of all the IO currents being sunk (i.e. when the outputs are being driven low) must not exceed I_{IOVSS_MAX} .

Figure 150. Typical Current vs Voltage curves of a GPIO output.

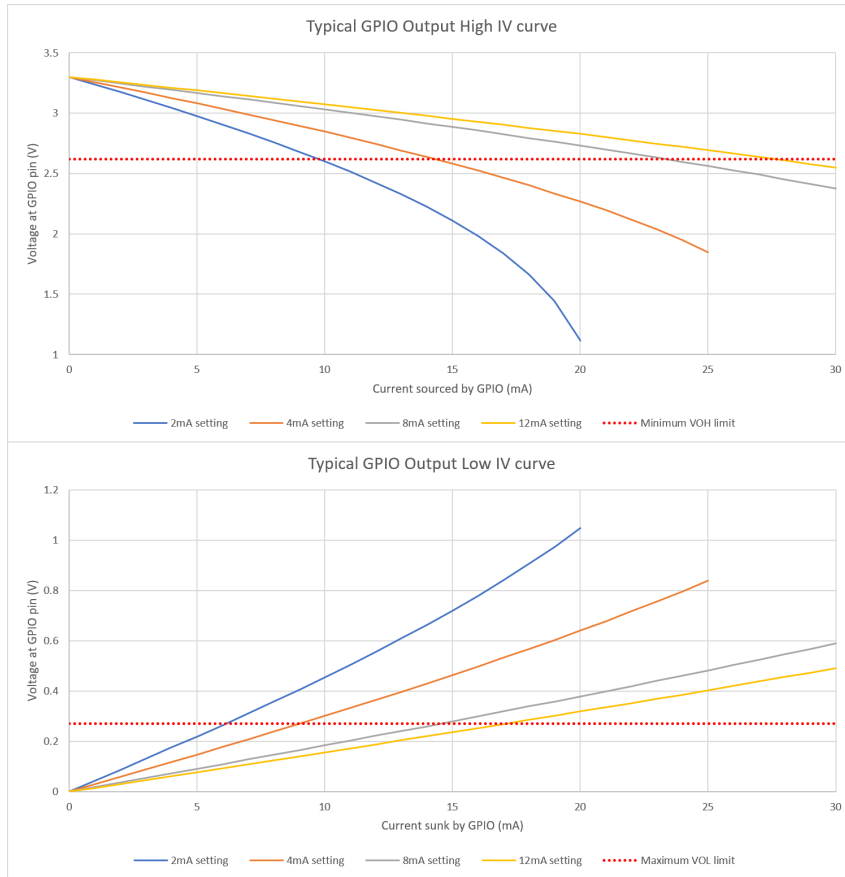


Figure 150 shows the effect on the output voltage as the current load on the pin increases. You can clearly see the effect of the different drive strengths; the higher the drive strength, the closer the output voltage is to IOVDD (or 0V) for a given current. The minimum V_{OH} and maximum V_{OL} limits are shown in red.

You can see that at the specified current for each drive strength, the voltage is well within the allowed limits, meaning that this particular device could drive a lot more current and still be within V_{OH}/V_{OL} specification. This is a typical part at room temperature, but because devices vary, there will be a spread of other devices which will have voltages much closer to this limit.

If your application doesn't need such tightly controlled voltages, you can source or sink more current from the GPIO than the selected drive strength setting. However, experimentation is required to determine if it indeed safe to do so in your application.

14.9.5. Power supplies

Table 1441. Power Supply Specifications

| Power Supply | Supplies | Min | Typ | Max | Units |
|---------------------------------------|-------------------|-------|-----------|------|-------|
| IOVDD ^a | Digital IO | 1.62 | 1.8 / 3.3 | 3.63 | V |
| QSPI_IOVDD (RP2350 only) ^a | Digital IO | 1.62 | 1.8 / 3.3 | 3.63 | V |
| QSPI_IOVDD (RP2354 only) | Digital IO | 2.97 | 3.3 | 3.63 | V |
| DVDD ^b | Digital core | 1.05 | 1.1 | 1.16 | V |
| VREG_VIN | Voltage regulator | 2.7 | 3.3 | 5.5 | V |
| VREG_AVDD | Voltage regulator | 3.135 | 3.3 | 3.63 | V |

| Power Supply | Supplies | Min | Typ | Max | Units |
|-----------------------|---------------|-------|-----|------|-------|
| USB_OTP_VDD | USB PHY & OTP | 3.135 | 3.3 | 3.63 | V |
| ADC_AVDD ^c | ADC | 1.62 | 3.3 | 3.63 | V |

^a If IOVDD <2.5V, GPIO `VOLTAGE_SELECT` registers should be adjusted accordingly. See Section 6.1 for details.

^b Short term transients should be within +/-100mV.

^c ADC performance will be compromised at voltages below 2.97V

i NOTE

RP2354 contains an internal 3.3V flash device, therefore `QSPI_IOVDD` must be 3.3V. Furthermore, if the QSPI pins are to be used to connect to an additional flash or PSRAM device, then IOVDD must be 3.3V, as a GPIO is used as QSPI chip select in this case.

14.9.6. Core voltage regulator

Table 1442. Voltage Regulator Specifications

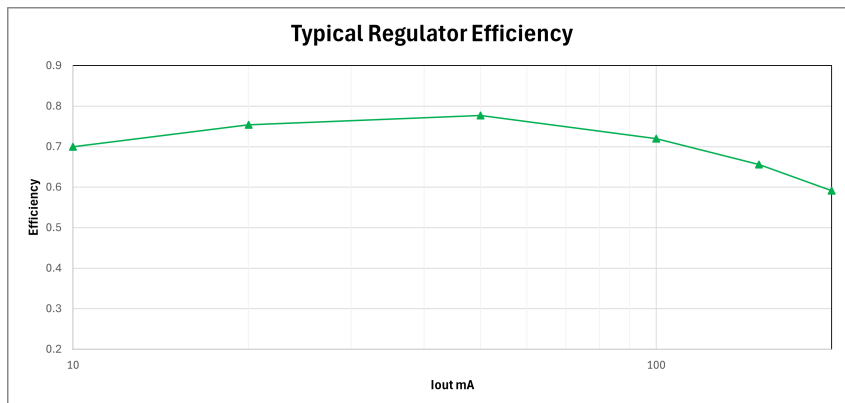
| Parameter | Description | Min | Typ | Max | Units |
|--|--|------|-----|-----|------------------------------|
| V _{OUT (normal mode)} | regulated output voltage range (normal mode) | 0.55 | 1.1 | 3.3 | V |
| V _{OUT (low power mode)} | regulated output voltage range (low power mode) | 0.55 | 1.1 | 1.3 | V |
| ΔV _{OUT (normal mode)} | voltage deviation from programmed value (normal mode) | -3 | | +3 | % of selected output voltage |
| ΔV _{OUT (low power mode)} | voltage deviation from programmed value (low power mode) | -9 | | +9 | % of selected output voltage |
| I _{MAX (normal mode)} | output current (normal mode) | | | 200 | mA |
| I _{MAX (low power mode)} | output current (low power mode) | | | 1 | mA |
| I _{LIMIT (normal mode startup)} | current limit (normal mode startup) | | 240 | 300 | mA |
| I _{LIMIT (normal mode)} | current limit (normal mode) | 260 | 500 | 800 | mA |
| I _{LIMIT (low power mode)} | current limit (low power mode) | 5 | | 25 | mA |
| VOUT_OK _{TH.ASSERT} | <code>VOUT_OK</code> assertion threshold | 87 | 90 | 93 | % of selected output voltage |

| Parameter | Description | Min | Typ | Max | Units |
|-------------------------------------|---|-----|-----|-----|------------------------------|
| VOUT_OK _{TH.DEASSERT} | VOUT_OK de-assertion threshold | 84 | 87 | 90 | % of selected output voltage |
| f _{sw} | switching frequency | | 3 | | MHz |
| Efficiency (V _{out} =1.1V) | I _{load} =10mA, VREG_VIN=2.7V | | 74 | | % |
| | I _{load} =10mA, VREG_VIN=3.3V | | 70 | | % |
| | I _{load} =10mA, VREG_VIN=5.5V | | 59 | | % |
| | I _{load} =100mA, VREG_VIN=2.7V | | 70 | | % |
| | I _{load} =100mA, VREG_VIN=3.3V | | 72 | | % |
| | I _{load} =100mA, VREG_VIN=5.5V | | 72 | | % |
| | I _{load} =200mA, VREG_VIN=2.7V | | 70 | | % |
| | I _{load} =200mA, VREG_VIN=3.3V | | 59 | | % |
| | I _{load} =200mA, VREG_VIN=5.5V | | 63 | | % |

WARNING

V_{OUT} can exceed the maximum core supply (DVDD). While there is a voltage limit to prevent this happening accidentally, the limit can be disabled under software control. For reliable operation DVDD should not exceed its maximum voltage rating.

Figure 151. Typical Regulator Efficiency, V_{out}=1.1V, VREG_VIN=3.3V.



14.9.7. Power consumption

14.9.7.1. Peripheral power consumption

Baseline readings are taken with only clock sources and essential peripherals (BUSCTRL, BUSFAB, VREG, Resets, ROM, SRAMs) active in the WAKE_EN0/WAKE_EN1 registers. Clocks are set to default clock settings.

Each peripheral is activated in turn by enabling all clock sources for the peripheral in the WAKE_EN0/WAKE_EN1 registers. Current consumption is the increase in current when the peripheral clocks are enabled.

Table 1443. Baseline power consumption

| Peripheral | Typical DVDD Current Consumption (µA/MHz) |
|------------|---|
| DMA | 2.6 |
| I2C0 | 3 |
| I2C1 | 3.6 |
| IO + Pads | 24.5 |
| PWM | 9.9 |
| SIO | 2 |
| SHA256 | 0.1 |
| SPI0 | 1.7 |
| SPI1 | 1.4 |
| Timer 0 | 0.8 |
| Timer 1 | 0.6 |
| TRNG | 0.8 |
| UART0 | 2.6 |
| UART1 | 3.6 |
| Watchdog | 1.1 |
| XIP | 37.6 |

Because of fixed reference clocks of 48MHz, as well as the variable system clock input, ADC and USBCTRL power consumption does not vary linearly with system clock (as it does for other peripherals which only have system and/or peripheral clock inputs). The following table shows absolute DVDD current consumption of the ADC and USBCTRL blocks at standard clocks settings:

Table 1444. Baseline power consumption for ADC and USBCTRL

| Peripheral | Typical DVDD Current Consumption (mA) |
|------------|---------------------------------------|
| ADC | 0.14 |
| USBCTRL | 1.25 |

14.9.7.2. Power consumption in Low Power states

Table 1445 shows the typical power consumption in low power states P1.0 → P1.7. All voltage supplies are 3.3V (except DVDD which is supplied by the voltage regulator (in low power mode)), with the environment at room temperature.

All GPIOs, SWDIO and SWCLK are pulled down internally, and not connected externally. QSPI is connected to W25Q16JVSSIQ flash device. USB PHY has been powered down, and the DP and DM pull-downs were enabled prior to entering the low power state. The USB cable remains connected to a host computer. The table also shows the power consumed when RUN is held low. This is not technically a low power state (the voltage regulator is in normal switching mode), but it is included for completeness.

Table 1445. Low Power States Power Consumption

| Low Power State | VREG_VIN (µA) | VREG_AVDD (µA) | IOVDD (µA) | QSPI_IOVDD (µA) | ADC_IOVDD (µA) | USB_OTP_VDD (µA) | Total Power (µW) |
|-----------------|---------------|----------------|------------|-----------------|----------------|------------------|------------------|
| P1.0 | 128 | 0.5 | 11 | 22 | 1 | 3.5 | 548 |
| P1.1 | 77 | 0.5 | 11 | 22 | 1 | 3.5 | 380 |
| P1.2 | 79 | 0.5 | 11 | 22 | 1 | 3.5 | 380 |
| P1.3 | 26 | 0.5 | 11 | 22 | 1 | 3.5 | 204 |
| P1.4 | 120 | 0.5 | 11 | 22 | 1 | 3.5 | 520 |
| P1.5 | 67 | 0.5 | 11 | 22 | 1 | 3.5 | 345 |
| P1.6 | 68 | 0.5 | 11 | 22 | 1 | 3.5 | 350 |
| P1.7 | 19 | 0.5 | 11 | 22 | 1 | 3.5 | 188 |
| RUN=low | 40 | 187 | 69 | 22 | 1 | 35 | 1170 |

14.9.7.3. Power consumption for typical user cases

The following table details the typical power consumption of RP2350 in various example use cases. All measurements were taken using 3.3V voltage supplies (except DVDD, which is supplied by the voltage regulator (set to 1.1V)), with the environment at room temperature.

SWD and SWCLK are not connected externally. GPIO0 and GPIO1 are connected to a Raspberry Pi Debug Probe (UART), but all other GPIOs are not connected (except USB Boot mode, where GPIO0 and GPIO1 are also unconnected). QSPI is connected to W25Q16JVSSIQ flash device, and USB is connected to a host.

hello_serial, hello_usb and hello_adc are basic applications found in pico-examples where characters are constantly transmitted to a serial console.

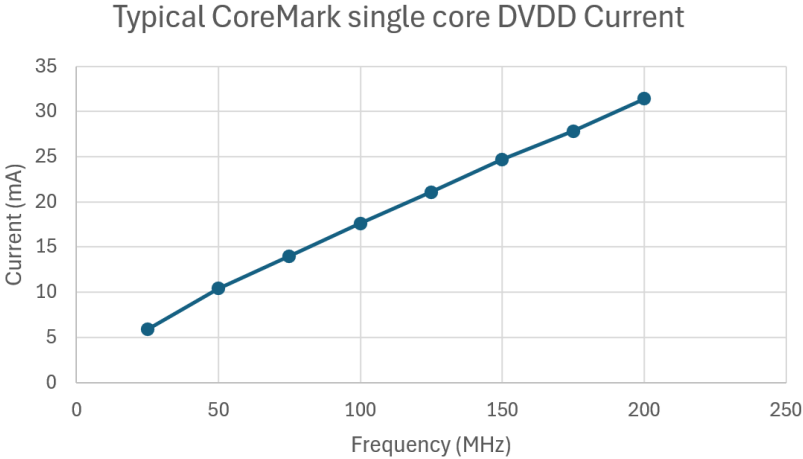
Table 1446. Power Consumption

| Use Case | Condition | VREG_VIN (µA) | VREG_AVDD (µA) | IOVDD (µA) | QSPI_IOVDD (µA) | ADC_IOVDD (µA) | USB_OTP_VDD (µA) | Total Power (mW) |
|--------------------|----------------------------|---------------|----------------|------------|-----------------|----------------|------------------|------------------|
| USB Boot mode | Bus Idle (average) | 6530 | 220 | 437 | 22 | 1 | 375 | 25 |
| | During Boot (peak) | | | | | | 6050 | |
| | During UF2 write (average) | | | | | | 1280 | |
| hello_serial | | 14690 | 216 | 506 | 22 | 1 | 62 | 51.1 |
| hello_usb | | 14700 | 216 | 453 | 22 | 1 | 570 | 52.7 |
| hello_adc | | 14680 | 216 | 506 | 22 | 142 | 62 | 51.6 |
| CoreMark benchmark | Single core @150MHz | 11000 | 212 | 455 | 22 | 1 | 90 | 38.7 |

14.9.7.3.1. Power consumption versus frequency

There is a relationship between the core RP2350 frequency and the current consumed by the DVDD supply. Figure 152 shows the measured results of a typical RP2350 device that continuously runs CoreMark benchmark tests on a single core at various core clock frequencies.

Figure 152. DVDD Current vs Core Frequency of a typical RP2350 device, whilst running CoreMark benchmark



Appendix A: Register field types

Changes from RP2040

Register field types are unchanged.

Standard types

RW:

- Read/Write
- Read operation returns the register value
- Write operation updates the register value

RO:

- Read-only
- Read operation returns the register value
- Write operations are ignored

WO:

- Write-only
- Read operation returns 0
- Write operation updates the register value

Clear types

SC:

- Self-Clearing
- Writing a 1 to a bit in an SC field will trigger an event, once the event is triggered the bit clears automatically
- Writing a 0 to a bit in an SC field does nothing

WC:

- Write-Clear
- Writing a 1 to a bit in a WC field will write that bit to 0

- Writing a 0 to a bit in a WC field does nothing
- Read operation returns the register value

FIFO types

These fields are used for reading and writing data to and from FIFOs. Accompanying registers provide FIFO control and status. There is no fixed format for the control and status registers, as they are specific to each FIFO interface.

RWF:

- Read/Write FIFO
- Reading this field returns data from a FIFO
 - When the read is complete, the data value is removed from the FIFO
 - If the FIFO is empty, a default value will be returned; the default value is specific to each FIFO interface
- Data written to this field is pushed to a FIFO, Behaviour when the FIFO is full is specific to each FIFO interface
- Read and write operations may access different FIFOs

RF:

- Read FIFO
- Functions the same as RWF, but read-only

WF:

- Write FIFO
- Functions the same as RWF, but write-only

Appendix B: Units used in this document

This datasheet follows standard practice for use of SI units as recommended by NIST, except in the context of memory and storage capacity. Here it adopts the convention that the prefixes k (*kilo*), M (*mega*) and G (*giga*) always refer to the nearest power of two to their standard decimal value. This aligns the datasheet with common usage for these units.

Memory and storage capacity

This datasheet expresses memory and storage capacity using the following units:

- b: bit
 - kb: kilobit, 2^{10} b = 1024 b
 - Mb: megabit, 2^{20} b = 1,048,576 b
 - Gb: gigabit, 2^{30} b = 1,073,741,824 b
- B: byte, eight bits, one octet
 - kB: kilobyte, 2^{10} B = 1024 B
 - MB: megabyte, 2^{20} B = 1,048,576 B
 - GB: gigabyte, 2^{30} B = 1,073,741,824 B

The bit is the most basic unit of information. A bit is either true (1) or false (0).

Transfer Rate

Units for transfer rate are dimensionally the product of one byte or bit with a unit of frequency such as MHz. Therefore the standard SI prefixes apply:

- b/s: bit per second
 - kb/s: kilobit per second, 1000 b/s
 - Mb/s: megabit per second, 1,000,000 b/s
 - Gb/s: gigabit per second, 1,000,000,000 b/s
- B/s: byte per second, 8 b/s
 - kB/s: kilobyte per second, 1000 B/s
 - MB/s: megabyte per second, 1,000,000 B/s
 - GB/s: gigabyte per second, 1,000,000,000 B/s

Physical Quantities

The following units express physical quantities such as voltage and frequency:

- A: ampere, unit of electrical current, one coulomb per second

- mA: milliampere, 10^{-3} A
- μ A: microampere, 10^{-6} A
- Ω : ohm, unit of electrical impedance or resistance, one volt per ampere
 - M Ω : megohm, 10^6 Ω
 - k Ω : kilohm, 10^3 Ω
 - m Ω : milliohm, 10^{-3} Ω
- V: volt, unit of electrical potential difference, one joule per coulomb
 - kV: kilovolt, 10^3 V
 - mV: millivolt, 10^{-3} V
 - μ V: microvolt, 10^{-6} V
- Hz: hertz, unit of frequency, one period per second (s^{-1})
 - kHz: kilohertz, 10^3 Hz
 - MHz: megahertz, 10^6 Hz
 - GHz: gigahertz, 10^9 Hz
- F: farad, unit of electrical capacitance, one coulomb per volt
 - mF: millifarad, 10^{-3} F
 - μ F: microfarad, 10^{-6} F
 - nF: nanofarad, 10^{-9} F
 - pF: picofarad, 10^{-12} F
- H: henry, unit of electrical inductance, one volt-second per ampere (VsA^{-1})
 - mH: millihenry, 10^{-3} H
 - μ H: microhenry, 10^{-6} H
 - nH: nanohenry, 10^{-9} H
- s: second, unit of time
 - ms: millisecond, 10^{-3} s
 - μ s: microsecond, 10^{-6} s
 - ns: nanosecond, 10^{-9} s
 - ps: picosecond, 10^{-12} s
- J: joule, unit of energy or work, one newton-metre
- C: coulomb, unit of electrical charge
 - mC: millicoulomb, 10^{-3} C
 - μ C: microcoulomb, 10^{-6} C
 - nC: nanocoulomb, 10^{-9} C
- m: metre, unit of length or distance
 - mm: millimetre, 10^{-3} m
- $^{\circ}$ C: degree celsius, unit of temperature
- W: watt, unit of power, one joule per second (Js^{-1}) or one volt-ampere (VA)

- mW: milliwatt, 10^{-3} W
- μ W: microwatt, 10^{-6} W
- nW: nanowatt, 10^{-9} W

Scale Prefixes

The standard SI prefixes used in the previous sections are:

- G: giga, factor of 10^9 (one short billion)
- M: mega, factor of 10^6 (one million)
- k: kilo, factor of 10^3 (one thousand)
- c: centi, factor of 10^{-2} (one hundredth)
- m: milli, factor of 10^{-3} (one thousandth)
- μ , micro, factor of 10^{-6} (one millionth)
- n: nano, factor of 10^{-9} (one short billionth)
- p: pico, factor of 10^{-12} (one short trillionth)

The customary binary prefixes used in the memory and storage capacity section are:

- G: giga, factor of 2^{30} (approximately 10^9)
- M: mega, factor of 2^{20} (approximately 10^6)
- k: kilo, factor of 2^{10} (approximately 10^3)

These customary binary prefixes are equivalent to the following prefixes from IEC 60027-2:

- Gi, gibi
- Mi, mebi
- Ki, kibi

Digit Separators

Numbers written out with many digits may have either commas or spaces inserted for easier reading:

- 1,000,000: one million
- 1 000 000: one million

A comma in a number *never* represents a decimal (radix) point.

Appendix C: Hardware revision history

This appendix summarises the differences between RP2350 hardware revisions, referred to as **steppings**. To determine the stepping of an unknown device, check the package markings, as described in [Section 14.4](#). Software running on the device can also read the `CHIP_ID.REVISION` register field, or call the `rp2350_chip_version()` SDK function.

In this appendix:

- The term **fix** refers to an issue that's fully resolved.
- The term **mitigate** refers to an issue that's either partially resolved or believed to be fully resolved but with an unpredictable underlying cause, such as a fault injection vulnerability.
- The term **update** refers to any other difference between steppings.

This appendix offers a high-level overview; for detailed information, refer to individual errata entries in appendix E.

RP2350 A2

Stepping A2 is identified by a `CHIP_ID.REVISION` value of `0x2`.

A2 is the first generally available version of RP2350, and the earliest stepping documented in this datasheet.

RP2350 A3

Stepping A3 is identified by a `CHIP_ID.REVISION` value of `0x3`.

Hardware changes

Stepping A3 introduces the following hardware fixes and mitigations:

- **Fix RP2350-E3**: in QFN-60 package, `GPIO_NS_MASK` controls wrong `PADS` registers. Hardware now remaps `GPIO_NS_MASK` to the correct `PADS` registers in the QFN60 package.
- **Fix RP2350-E9**: increased leakage current on Bank 0 GPIO when pad input is enabled. The pad circuit is modified to eliminate the erroneous leakage path through the input buffer.
- **Mitigate RP2350-E12**: inadequate synchronisation of USB status signals. Signals used by the bootrom are now valid across the full PVT range in the bootrom's clock configuration. Other software must not rely on these mitigations.
- **Mitigate RP2350-E16**: `USB_OTP_VDD` disruption can cause corrupt OTP row read data. The following changes apply:
 - Multiple changes to the OTP PSM and OTP read circuits to detect unreliable operation.
 - RISC-V debug is now disabled by `CRIT1.SECURE_DEBUG_DISABLE`, in addition to `CRIT1.DEBUG_DISABLE`. (On A2, only the latter bit was used.)
 - `CRIT0.ARM_DISABLE` no longer disables the Arm processors.
 - Programming both `CRIT0.ARM_DISABLE` and `CRIT0.RISCV_DISABLE` is decoded as an illegal combination, and the device won't boot.

- **Update** the reset state of the following clock configuration registers:
 - ROSC: `FREQA.DS0_RANDOM` and `FREQA.DS1_RANDOM` from `0` to `1`, enabling randomisation of first two drive stages.
 - CLOCKS: `CLK_SYS_CTRL.SRC` from `0` to `1` (select AUX source).
 - CLOCKS: `CLK_SYS_CTRL.AUXSRC` from `0` to `2` (select ROSC as AUX source).

Bootrom changes

The A3 bootrom introduces the following changes:

- **Fix RP2350-E10:** UF2 drag-and-drop doesn't work with partition tables. This previously required a workaround in `picotool`, but the A3 bootrom no longer requires this workaround. `picotool` retains the workaround for compatibility with A2.
- **Fix RP2350-E13:** a binary containing an explicitly invalid `IMAGE_DEF` followed by a valid `IMAGE_DEF` (in that order) fails to boot.
- **Fix RP2350-E14:** the bootrom `connect_internal_flash()` function always uses pin 0, ignoring any configured `FLASH_DEVINFO` CS1 chip select pin.
- **Fix RP2350-E15:** the bootrom `otp_access()` function applies incorrect access permission to pages 62 and 63.
- **Fix RP2350-E19:** RP2350 reboot halts if certain bits are set in `FRCE_OFF` when rebooting.
- **Mitigate RP2350-E20:** an attacker with physical access to the chip and the ability to physically glitch the CPU at precise times could cause unsigned code execution on a secured RP2350 by targeting legitimate Non-secure calls to the bootrom `reboot()` function.
- **Mitigate RP2350-E21:** an attacker with physical access to the chip and the ability to physically glitch the CPU at precise times, could extract sensitive data from OTP on a RP2350 in BOOTSEL mode.
- **Fix RP2350-E22:** parsing a malformed lollipop `block loop` causes the system to halt rather than fail.
- **Fix RP2350-E23:** PICOBOOT `GET_INFO` command always returns zero for `PACKAGE_SEL`
- **Mitigate RP2350-E26:** RCP random delays can create a side-channel. These delays are disabled in the bootrom.
- **Update** the early boot path to change the `clk_ref` divider from `1` to `5`, and the ROSC divider from `8` to `2`.
 - Together with the register reset state changes, this increases the boot `clk_sys` frequency by a factor of 4, to approximately 48 MHz.
 - These changes reduce boot time and fault injection susceptibility.
 - These changes apply for all boot outcomes, including watchdog and POWMAN vector boot.

RP2350 A4

Stepping A4 is identified by a `CHIP_ID.REVISION` value of `0x8`.

Hardware Changes

This stepping has no hardware changes.

Bootrom Changes

The A4 bootrom introduces the following changes:

- **Fix RP2350-E18:** the RP2350 forever fails to boot if `FLASH_PARTITION_SLOT_SIZE` contains an invalid ECC bit pattern. This issue is a consequence of [RP2350-E17](#) (a guarded read on a single ECC OTP row causes a fault if the data in the adjacent row isn't also valid ECC data). The underlying hardware issue isn't resolved, but the bootrom avoids the issue in this instance.
- **Mitigate RP2350-E24:** an attacker with physical access to the chip, moderate hardware, and the ability to physically glitch the CPU at precise times, could cause unsigned code execution on a secured RP2350. The A4 bootrom contains additional fault injection mitigations for this vulnerability, and for other potential vulnerabilities with the same underlying mechanism.
- **Fix RP2350-E25:** a `LOAD_MAP` that uses non-word sizes previously didn't cause an error. The bootrom now correctly rejects these structures.

Appendix E: Errata

Alphabetical by section.

ACCESSCTRL

RP2350-E3

| | |
|--------------------|---|
| Reference | RP2350-E3 |
| Summary | In QFN-60 package, <code>GPIO_NSMASK</code> controls wrong <code>PADS</code> registers |
| Affects | RP2350 A2, QFN-60 package only |
| Description | <p>RP2350 remaps IOs, their control registers and their ADC channels so that both package sizes appear to have consecutively numbered GPIOs, even though for physical design reasons the QFN-60 package bonds out a sparse selection of IO pads.</p> <p>The connection between the <code>GPIO_NSMASK0</code>/<code>GPIO_NSMASK1</code> registers and the <code>PADS</code> registers doesn't take this remapping into account. Consequently, in the QFN-60 package only, the <code>GPIO_NSMASK0</code> register bits are applied to registers for the wrong pads. Specifically, <code>PADS_BANK0</code> registers 29 through 0 are controlled by the concatenation of <code>GPIO_NSMASK</code> bits 47 through 44, 39 through 33, 30 through 28, 24 through 17 and 15 through 8 (all inclusive ranges).</p> <p>This means that granting Non-secure access to the <code>PADS</code> registers in the QFN-60 package doesn't allow Non-secure software to control the correct pads. It may also allow Non-secure control of pads that aren't granted in <code>GPIO_NSMASK0</code>.</p> <p>The QSPI <code>PADS</code> registers (Bank 1) aren't affected because these aren't remapped for different packages.</p> |
| Workaround | <p>Disable Non-secure access to the <code>PADS</code> registers by clearing <code>PADS_BANK0.NSP</code>, <code>NSU</code>.</p> <p>Implement a Secure Gateway (Arm) or <code>ecall</code> handler (RISC-V) to permit Non-Secure/U-mode code to read/write its assigned <code>PADS_BANK0</code> registers.</p> |
| Fixed by | RP2350 A3, Documentation, Software |

Bootrom

RP2350-E10

| | |
|--------------------|--|
| Reference | RP2350-E10 |
| Summary | UF2 drag-and-drop doesn't work with partition tables |
| Affects | RP2350 A2 |
| Description | When dragging and dropping a UF2 onto the USB Mass Storage Device, the bootrom on chip revision A2 doesn't set up the flash before checking the partition table. This causes the UF2 download to fail if there is a partition table present. |

| | |
|-------------------|--|
| Workaround | <p>Add a single block at the start of the UF2 with an Absolute family ID, targeting the end of Flash, with block number set to 0 and number of blocks set to 2. This block is written to flash first but doesn't reboot the device, and sets up the flash for the rest of the UF2 to be downloaded correctly.</p> <p>This is handled for you automatically by <code>picotool</code> in the SDK, which adds this block when generating UF2s if the <code>--abs-block</code> flag is specified.</p> <p>This workaround means that the last block of flash is erased when downloading such a UF2, which could overwrite user data.</p> <p>As of <code>picotool</code> version 2.1.0, this additional UF2 block is marked with a Raspberry Pi specific UF2 extension <code>UF2_EXTENSION_RP2_IGNORE_BLOCK (0x9957e304)</code>. The RP2350 A3 and later bootroms, contain a fix for this erratum, and therefore don't need the workaround. The presence of this extension in the UF2 block allows the newer RP2350 to recognize and ignore the workaround block, thus avoiding the risk of overwriting user data.</p> |
| Fixed by | RP2350 A3 bootrom, Documentation, Software |

RP2350-E13

| | |
|--------------------|---|
| Reference | RP2350-E13 |
| Summary | A binary containing an <i>explicitly invalid</i> <code>IMAGE_DEF</code> followed by a valid <code>IMAGE_DEF</code> (in that order) fails to boot |
| Affects | RP2350 A2 |
| Description | <p>When the block loop of a binary contains an <code>IMAGE_DEF</code> that is <i>explicitly invalid</i> before the valid <code>IMAGE_DEF</code> for RP2350, booting from that binary fails.</p> <p>An <code>IMAGE_DEF</code> is <i>explicitly invalid</i> if either:</p> <ul style="list-style-type: none"> • It is for RP2040 • It doesn't have a rollback version, and the <code>BOOT_FLAGS0.ROLLBACK_REQUIRED</code> flag is set in OTP |
| Workaround | <p>Instead of an <i>explicitly invalid</i> <code>IMAGE_DEF</code>, use an <code>IGNORED</code> item. RP2040 doesn't require an <code>IMAGE_DEF</code> to boot a binary, and when using rollback, the invalid <code>IMAGE_DEF</code> is ignored anyway.</p> <p>SDK uses this workaround for RP2040 binaries. When you set <code>PICO_CRT0_INCLUDE_PICOBIN_BLOCK</code>, the SDK uses an <code>IGNORED</code> item instead of an <code>IMAGE_DEF</code> for RP2040 binaries. You can override this behaviour and use an <code>IMAGE_DEF</code> by setting <code>PICO_CRT0_INCLUDE_PICOBIN_IMAGE_TYPE_ITEM</code>. For an additional example, see the universal binaries in <code>pico-examples</code>.</p> <p><code>picotool</code> uses this workaround for rollback versions. When you use <code>picotool seal</code> to seal a binary and add a rollback version, it converts the first <code>IMAGE_DEF</code> without a rollback version to an <code>IGNORED</code> item.</p> |
| Fixed by | RP2350 A3 bootrom, Documentation, Software |

RP2350-E14

| | |
|------------------|--|
| Reference | RP2350-E14 |
| Summary | The bootrom <code>connect_internal_flash()</code> function always uses pin 0, ignoring any configured <code>FLASH_DEVINFO</code> CS1 chip select pin |
| Affects | RP2350 A2 |

| | |
|--------------------|---|
| Description | <p>When using the bootrom function connect_internal_flash() to configure CS1 (for instance, during a flash boot), the bootrom always configures the pad registers for pin 0, ignoring any CS1 pin specified in FLASH_DEVINFO.</p> <p>As a result, the specified CS1 pin remains isolated (see Section 9.7). Accesses to the QSPI device connected to the second chip select fails unless CS1 is connected to pin 0.</p> <p>FLASH_DEVINFO can be configured in OTP or at runtime. For more information, see flash_devinfo16_ptr.</p> |
| Workaround | Manually configure the CS1 pads registers to remove the isolation after using the bootrom connect_internal_flash() function. Alternatively, connect CS1 to pin 0. |
| Fixed by | RP2350 A3 bootrom, Documentation, Software |

RP2350-E15

| | |
|--------------------|---|
| Reference | RP2350-E15 |
| Summary | The bootrom otp_access() function applies incorrect access permission to pages 62 & 63 |
| Affects | RP2350 A2 |
| Description | <p>The bootrom otp_access() function incorrectly applies the access permissions specified in OTP rows PAGE62_LOCK1 and PAGE63_LOCK1 to the entirety of their respective OTP pages (62 and 63). This is incorrect, as pages 62 and 63 contain lock words for other pages: each lock word is instead protected by the permissions of the corresponding page.</p> <p>The ATE programming then locks down write access from non-Secure software and the bootloader to the page 63 lock word (to prevent non-Secure setting of the RMA flag), and write access from non-Secure software to the page 62 lock word. This prevents non-Secure software from modifying any of the OTP page locks, and the bootloader from modifying the locks for pages 32-63.</p> |
| Workaround | <p>When running code on the device, don't use the non-Secure otp_access() function to set locks for OTP pages. To set OTP page locks from non-Secure code, implement your own Secure API to do this that can be called from non-Secure code.</p> <p>Page locks for OTP pages 32-63 can be set by picotool using the picotool otp permissions command. This command loads a Secure binary into XIP SRAM on the device to change the permissions before rebooting back into the USB bootloader.</p> |
| Fixed by | RP2350 A3 bootrom, Documentation, Software |

RP2350-E18

| | |
|------------------|---|
| Reference | RP2350-E18 |
| Summary | The RP2350 will forever fail to boot if FLASH_PARTITION_SLOT_SIZE contains an invalid ECC bit pattern |
| Affects | RP2350 A2, RP2350 A3 |

| | |
|--------------------|--|
| Description | <p>If ECC row programming is interrupted, an ECC row may contain a value that fails ECC validation. Because any ECC could potentially contain an invalid, partially written value, the bootrom uses a separate "enable" flag in OTP to indicate whether a particular ECC row is expected to contain a valid value. The user is expected to only set this flag <i>after</i> a particular ECC row is known to have been written correctly.</p> <p>For <code>FLASH_PARTITION_SLOT_SIZE</code>, the "enable" flag is <code>BOOT_FLAGS0.OVERRIDE_FLASH_PARTITION_SLOT_SIZE</code>.</p> <p>In the case of <code>FLASH_PARTITION_SLOT_SIZE</code>, the bootrom reads the row value and asserts the value is valid before checking the enable flag, and thus the boot process will hang if the <code>BOOT_FLAGS0.OVERRIDE_FLASH_PARTITION_SLOT_SIZE</code> row in OTP contains an invalid ECC value.</p> |
| Workaround | Don't program <code>FLASH_PARTITION_SLOT_SIZE</code> or at least be aware that doing so may brick your device if the programming operation is interrupted or fails. |
| Fixed by | RP2350 A4 bootrom, Documentation |

RP2350-E19

| | |
|--------------------|---|
| Reference | RP2350-E19 |
| Summary | RP2350 reboot hangs if certain bits are set in <code>FRCE_OFF</code> when rebooting. |
| Affects | RP2350 A2 |
| Description | An incorrect assertion in the boot path, assumes the all bits (other than <code>FRCE_OFF.PROC1</code>) are clear. These bits can only be set during boot if the user had set them and then re-entered the boot path. |
| Workaround | Don't perform a <code>WATCHDOG</code> or <code>POWMAN</code> boot, or a core0 reset with bits other than <code>FRCE_OFF.PROC1</code> set. |
| Fixed by | RP2350 A3 bootrom, Documentation |

RP2350-E20

| | |
|--------------------|---|
| Reference | RP2350-E20 |
| Summary | An attacker with physical access to the chip and the ability to physically "glitch" the CPU at precise times, could cause unsigned code execution on a secured RP2350 by targeting legitimate Non-secure calls to the bootrom <code>reboot()</code> function |
| Affects | RP2350 A2 |
| Description | <p>The RP2350 bootrom provides a <code>reboot()</code> function to reboot the RP2350. This method is potentially accessible to Non-secure callers via the <code>PIC0BOOT</code> interface (e.g. <code>picotool</code>) or, if the corresponding permission is set, to Non-secure code running on the device.</p> <p>A particular reboot type (<code>REBOOT_TYPE_PC_SP</code>) isn't allowed in the bootrom <code>reboot()</code> function when called from Non-secure code as it launches user-provided code in a Secure state post reboot. The <code>reboot()</code> function correctly disallows this reboot type when called from a Non-secure context. However, if a valid reboot type (e.g. <code>REBOOT_TYPE_NORMAL</code>) is passed to the function instead, a late, precisely-timed processor glitch can cause an incorrect code path to be taken, which configures the <code>WATCHDOG</code> scratch registers in a way that allows secure execution of user-provided code post reboot.</p> |

| | |
|-------------------|---|
| Workaround | <p>If any WATCHDOG based reboot types other than into the regular boot path aren't required (this includes programmatic reboots into BOOTSEL mode and FLASH_UPDATE boots which are important when using A/B partitions), the OTP flag BOOT_FLAGS0.DISABLE_WATCHDOG_SCRATCH can be set, which causes the WATCHDOG scratch registers to be completely ignored during boot, meaning that the only type of boot available via WATCHDOG reset is regular boot.</p> <p>A more refined approach would be to disable use of the reboot() function from Non-secure code. This is the default case for Non-secure code started by a secure application (see Section 5.4.2). However, the BOOTSEL mode bootloader is itself a Non-secure application that does have access to the function. BOOTSEL mode, however, can be disabled if not needed through BOOT_FLAGS0.DISABLE_BOOTSEL_UART_BOOT, BOOT_FLAGS0.DISABLE_BOOTSEL_USB_PICOBOT_IFC, and BOOT_FLAGS0.DISABLE_BOOTSEL_USB_MSD_IFC.</p> <p>BOOT_FLAGS0.DISABLE_BOOTSEL_USB_PICOBOT_IFC is the most important because PICOBOT provides a conduit for a user to pass specific parameters to the bootrom reboot() function. However, any other use of BOOTSEL mode could be vulnerable in conjunction with some other future attack on the Non-secure code.</p> |
| Credit | Marius Muench |
| Fixed by | RP2350 A3 bootrom, Documentation |

RP2350-E21

| | |
|--------------------|--|
| Reference | RP2350-E21 |
| Summary | An attacker with physical access to the chip, and the ability to physically "glitch" the CPU at precise times, could potentially extract sensitive data from OTP on a RP2350 in BOOTSEL mode. |
| Affects | RP2350 A2 |
| Description | <p>An attacker with physical access to the chip, could precisely time physical glitch attacks during entry to BOOTSEL mode and cause some OTP page access permissions for BOOTSEL mode not to be applied, leading to possible exposure of sensitive data.</p> <p>The RP2350 BOOTSEL mode exposes an API over PICOBOT such that a user can read or write OTP rows through picotool. Certain OTP rows (such as encryption keys or other secrets) shouldn't be readable through this method. Equally, certain rows might be protected against writes. This is handled at the page (64 row) level by page locks stored in OTP.</p> <p>On entry to BOOTSEL mode, the OTP should be locked down such that no software (including Secure software) can access anything not marked as accessible to BOOTSEL mode. However, with two precisely timed processor glitches, it's possible to prevent a page being correctly locked.</p> |
| Workaround | <ol style="list-style-type: none"> 1. Disable the BOOTSEL mode bootloader altogether via BOOT_FLAGS0.DISABLE_BOOTSEL_UART_BOOT, BOOT_FLAGS0.DISABLE_BOOTSEL_USB_PICOBOT_IFC, and BOOT_FLAGS0.DISABLE_BOOTSEL_USB_MSD_IFC. <p>BOOT_FLAGS0.DISABLE_BOOTSEL_USB_PICOBOT_IFC is the most important, as PICOBOT provides the conduit for a user to access the OTP, however any other use of BOOTSEL mode could be vulnerable in conjunction with some other future attack on the non-Secure code.</p> <ol style="list-style-type: none"> 1. Use an OTP access key (Section 13.5.2) to protect OTP data you don't want accessed from BOOTSEL mode, although this only helps if the data isn't needed until your application can provide the key. |
| Credit | Thomas Roth |

| | |
|----------|----------------------------------|
| Fixed by | RP2350 A3 bootrom, Documentation |
|----------|----------------------------------|

RP2350-E22

| | |
|-------------|---|
| Reference | RP2350-E22 |
| Summary | Parsing a malformed "lollipop" block loop will cause a hang rather than a failure |
| Affects | RP2350 A2 |
| Description | <code>PARTITION_TABLES</code> and <code>IMAGE_DEFS</code> metadata are stored as part of a block loop. These block loops are parsed during boot and at other times. A "lollipop" block loop is an invalid block loop, which loops back from the last block to a block, which isn't the first. Such an invalid block loop is never generated by the SDK or by <code>picotool</code> ; however, it could potentially be generated by other tooling. |
| Workaround | Don't use "lollipop" block loops. If you program a "lollipop" block loop into flash such that it's read during the boot process, it will cause a boot hang and also a hang on entry into BOOTSEL mode. Therefore, to re-enable booting, you must clear the flash in some other way, for example, from the debugger over SWD. |
| Fixed by | RP2350 A3 bootrom, Documentation |

RP2350-E23

| | |
|-------------|--|
| Reference | RP2350-E23 |
| Summary | PICOBOT <code>GET_INFO</code> command always returns zero for <code>PACKAGE_SEL</code> |
| Affects | RP2350 A2 |
| Description | <p>The PICOBOT <code>GET_INFO</code> command can be used to get system information in a similar way to the bootrom <code>get_sys_info()</code> function. This information can include the value read from <code>PACKAGE_SEL</code>, which indicates whether the RP2350 package is QFN60 or QFN80.</p> <p>The <code>SYSINFO</code> block is erroneously left in reset when entering BOOTSEL mode, and thus this register is read as zero when accessed via PICOBOT.</p> <p>This problem doesn't affect use of the bootrom <code>get_sys_info()</code> function itself from user code.</p> |
| Workaround | Determine the package size by reading <code>register_link_macro:[register=OTP_DATA_NUM_GPIOS_ROW]</code> via the PICOBOT <code>OTP_READ</code> command instead. This workaround is used by <code>picotool</code> . |
| Fixed by | RP2350 A3 bootrom, Documentation, Software |

RP2350-E24

| | |
|-----------|--|
| Reference | RP2350-E24 |
| Summary | An attacker with physical access to the chip, moderate hardware, and the ability to physically "glitch" the CPU at precise times, could cause unsigned code execution on a secured RP2350. |
| Affects | RP2350 A2, RP2350 A3 |

| | |
|--------------------|---|
| Description | <p>An attacker with physical access to the chip, and the ability to switch the contents of "flash" as read by the RP2350 over QSPI during boot at precise times, could, combined with a precisely-timed physical "glitch" attack of the CPU, trick the bootrom into checking the signature of data other than the program binary as loaded into memory during secure boot.</p> <p>If this "other" data passes the signature check, then the attacker's binary is executed without itself having passed a signature check, which allows the user to run arbitrary unsigned code on the RP2350.</p> |
| Credit | Kévin Courdresses (see https://courk.cc/rp2350-challenge-laser#flash-memory-organization) |
| Workaround | None |
| Fixed by | RP2350 A4 bootrom |

RP2350-E25

| | |
|--------------------|---|
| Reference | RP2350-E25 |
| Summary | A <code>LOAD_MAP</code> that uses non-word sizes doesn't cause an error. |
| Affects | RP2350 A2, RP2350 A3 |
| Description | <p>Non-word sizes in a <code>LOAD_MAP</code> aren't supported and were documented as such. However, they don't currently cause an error. Whilst non-word sizes might currently work in some certain cases, you should never use them because they might not work as you expect in all cases and can be properly treated as an error in the future.</p> <p>The SDK and <code>picotool</code> don't generate such <code>LOAD_MAPs</code> with non-word sized entries.</p> |
| Workaround | <p>Don't use non-word (not multiple of 4) sizes in a <code>LOAD_MAP</code>. A best practice is to make sure that linker memory segments are both word-sized and word-aligned.</p> <p>As of the RP2350 A4 bootrom, non-word sizes are detected when checking the <code>LOAD_MAP</code> and cause the <code>IMAGE_DEF</code> to be considered invalid if present.</p> |
| Fixed by | RP2350 A4 bootrom, Documentation |

Bus Fabric

RP2350-E27

| | |
|------------------|--|
| Reference | RP2350-E27 |
| Summary | Bus priority controls apply to wrong managers for APB and FASTPERI arbiters. |
| Affects | RP2350 A2, RP2350 A3, RP2350 A4 |

| | |
|---------------------------|---|
| <p>Description</p> | <p>RP2350 bus fabric consists mainly of an AHB5 crossbar, where 6 upstream ports (managers) are routed to 15 downstream crossbar ports. Figure 5 shows the overall structure of the bus fabric, including this crossbar. Because there can be multiple accesses to a given downstream crossbar port on any one cycle, an arbiter circuit selects one transfer to forward to the downstream port, and stalls all other transfers targeting this port.</p> <p>The BUSCTRL BUS_PRIORITY register controls these arbiter circuits. It configures a 1-bit priority level for each of the following four groups of AHB5 managers:</p> <ul style="list-style-type: none"> • DMA write • DMA read • Core 0 instruction fetch and core 0 load/store • Core 1 instruction fetch and core 1 load/store <p>Accesses from high-priority managers are always routed preferentially over those from low-priority managers. Multiple accesses from managers of the same priority are processed one at a time, taking turns in a repeating cycle (round-robin arbitration).</p> <p>On the FASTPERI and APB arbiters, these signals are mis-wired, such that the wrong managers are prioritised:</p> <ul style="list-style-type: none"> • BUS_PRIORITY.PROC0 controls DMA write priority • BUS_PRIORITY.PROC1 controls core 0 load/store priority • BUS_PRIORITY.DMA_R controls core 1 load/store priority • BUS_PRIORITY.DMA_W controls DMA read priority <p>The BUS_PRIORITY controls are applied correctly for all other arbiters: ROM, SRAM, and XIP.</p> <p>For example, if the DMA_R and DMA_W bits were set, this would prioritise DMA over processor access to ROM, SRAM, and XIP. However, peripheral access would prioritise DMA read and core 1 load/store over DMA write and core 0 load/store.</p> |
| <p>Workaround</p> | <p>There is no complete fix, but the necessary prioritisation can often still be achieved by configuring BUS_PRIORITY for correct priority at the peripherals, and then arranging buffers in SRAM to minimise contention, such as using SRAM8 or SRAM9 as processor-private memories.</p> <p>Also consider the following approaches:</p> <ul style="list-style-type: none"> • Split RAM access across the SRAM0 to SRAM3 and SRAM4 to SRAM7 striped regions to further reduce RAM contention. • Try to reduce overall peripheral bandwidth demand by using wider accesses for peripherals that support it. For example, SPI supports 16-bit data, and HSTX and PIO support 32-bit data. • Avoid processor polling of peripheral status registers. Instead, use interrupts or DMA DREQ signals. • Assess whether the default round-robin arbitration performs better than the reachable asymmetric priority configurations. |
| <p>Fixed by</p> | <p>Documentation</p> |

DMA

RP2350-E5

| | |
|-------------|---|
| Reference | RP2350-E5 |
| Summary | Interactions between CHAIN_TO and ABORT of active channels |
| Affects | RP2350 A2, RP2350 A3, RP2350 A4 |
| Description | <p>The CHAN_ABORT register commands a DMA channel to stop issuing transfers, and to clear its BUSY flag once in-flight transfers have completed. This was originally intended for recovering channels that are stuck with their DREQ low. An ABORT is initiated by writing a bitmap of aborted channels to CHAN_ABORT. Bits remain set until each channel comes to rest.</p> <p>This erratum is a compound of two behaviours: first, aborting a channel will cause its CHAIN_TO to fire, if and only if the aborted channel is the last channel to have completed a write transfer. Second, a channel undergoing an ABORT is susceptible to be re-triggered on the last cycle before the ABORT register clears, because the channel is both inactive and enabled on this cycle, and the ABORT itself doesn't inhibit triggering. However, since the ABORT is still in effect, the transfer count is held at zero. On the cycle after the ABORT finishes, the channel completes because its transfer counter is zero. This causes the channel's IRQ and CHAIN_TO to fire on the cycle after the ABORT completes.</p> <p>These two behaviours are problematic when aborting multiple channels that chain to one another, since they may cause the channels to immediately restart post-abort.</p> |
| Workaround | Before aborting an active channel, clear the EN bit (CHO_CTRL_TRIG.EN) of both the aborted channel and any channel it chains to. This ensures the channel isn't susceptible to re-triggering. |
| Fixed by | Documentation |

RP2350-E8

| | |
|-------------|--|
| Reference | RP2350-E8 |
| Summary | CHAIN_TO might not fire for zero-length transfers |
| Affects | RP2350 A2, RP2350 A3, RP2350 A4 |
| Description | <p>The CTRL.CHAIN_TO field configures a channel to start another channel once it completes its programmed sequence of transfers. The CHAIN_TO takes place on the cycle where the channel's last write completes, and the chaineer becomes active on the next cycle.</p> <p>The hardware implementation assumes that CHAIN_TO always happens as a result of a write completion. This isn't the case when a channel is triggered with a transfer count of zero; in this case the channel completes on the cycle immediately after the trigger without performing any bus accesses.</p> <p>A CHAIN_TO from a channel started with a transfer count of zero will fire if and only if that channel is the last channel to have completed a write transfer. This is true only when the channel in question has previously performed a non-zero-length sequence of transfers, and no other channel has completed a write since.</p> |
| Workaround | Don't use CHAIN_TO in conjunction with zero-length transfers. Avoid zero-length transfers in the middle of control block lists, and replace them with dummy transfers if possible. |
| Fixed by | Documentation |

GPIO

RP2350-E9

| | |
|------------------|--|
| Reference | RP2350-E9 |
| Summary | Increased leakage current on Bank 0 GPIO when pad input is enabled |
| Affects | RP2350 A2 |

| | |
|--------------------|--|
| Description | <p>For GPIO pads 0 through 47:</p> <p>Increased leakage current when Bank 0 GPIO pads are configured as inputs and the pad is somewhere between V_{IL} and V_{IH} (the undefined logic region).</p> <p>When the pad is set as an input (input enable is enabled and output enable is disabled) and the voltage on the pad is within the undefined logic region, the leakage current exceeds the standard specified I_{IN} leakage level. During this condition the pad can source current (the exact amount is dependent on the chip itself and the exact pad voltage, but typically around 120μA). This leakage will hold the pad at around 2.2 V as that is the effective source voltage of the leakage, and can only be overcome with a suitably low impedance driver / pull.</p> <p>The pad pull-down (if enabled) is significantly weaker than the leakage current in this state and therefore isn't strong enough to pull the pad voltage low.</p> <p>Driving / pulling the pad input low with a low impedance source of 8.2 kΩ or less will overcome the erroneous leakage and drive the voltage below the level where the leakage current occurs, so in this case if the pad is driven / pulled low it will stay low.</p> <p>The erroneous leakage only occurs (and continues to occur) when the pad input enable is enabled; disabling the input enable will reset (remove) the leakage.</p> <p>The pad pull-up still works. If enabled it will pull the pad to IOVDD as it will pull the input voltage out of the problematic range.</p> <p>The voltages and currents above are based on IOVDD at 3.3 V. For IOVDD at 1.8 V the effective source voltage of the leakage becomes 1.8 V and the peak current is around 30μA. This is effectively a pull-up (separate to the standard pad pull-up) when the pad voltage is between 0.6 V and 1.8 V.</p> <p>These graphs show the leakage current versus pad input voltage for a typical chip for IOVDD at 3.3 V Figure 153 and 1.8 V Figure 154.</p> <p>In detail, this issue presents under the following conditions, for any GPIO 0 through 47:</p> <ol style="list-style-type: none"> 1. The voltage on the pad is in the undefined logic region. 2. Input buffer is enabled in GPIO0.IE 3. Output buffer is disabled (e.g. selecting the NULL GPIO function) 4. Isolation is clear in GPIO0.ISO, or the previous were true at the point isolation was set <p>When all of the above conditions are met, the input leakage of the pad may exceed the specification.</p> <p>This issue may affect a number of common circuits:</p> <ul style="list-style-type: none"> • Relying on floating pins to have a low leakage current • Relying on the internal pull-down resistor <p>If the internal pull-up is enabled then any floating signal will be pulled high thus removing increased leakage condition as the excess leakage is only sourcing current. This of course can't prevent the increased leakage if the pad is fed via a strong source e.g. strong potential divider.</p> <p>This doesn't affect the pull-down behaviour of the pads immediately following a PoR or RUN reset because the input enable field is initially clear. The pull-down resistor functions normally in this state.</p> <p>This issue doesn't affect the QSPI pads, which use a different pad macro without the faulty circuitry. The USB PHY's pins are also unaffected.</p> <p>This issue does also affect the SWD pads, which use the same fault-tolerant pad macro as the Bank 0 GPIOs. However, both SWD pads are pull-up by default, so there is no ill effect.</p> |
|--------------------|--|

| | |
|-------------------|---|
| Workaround | <p>If pad pull-down behaviour is required, clear the pad input enable in GPIO0.IE (for GPIOs 0 through 47) to ensure that the pad pull-down resistor pulls the pad signal low. To read the state of a pad pulled-down GPIO from software, enable the input buffer by setting GPIO0.IE immediately before reading, and then re-disable immediately afterwards. If the pad is already a logic-0, re-enabling the input doesn't disturb the pull-down state.</p> <p>Alternatively an external pull-down of 8.2 kΩ or less can be used.</p> <p>PIO programs can't toggle pad controls and therefore external pulls may be required, depending on your application.</p> <p>As normal, if ADC channels are being used on a pin, clear the relevant GPIO input enable as stated in Section 12.4.3.</p> |
| Fixed by | RP2350 A3, Documentation |

Figure 153. GPIO Pad leakage for IOVDD=3.3 V

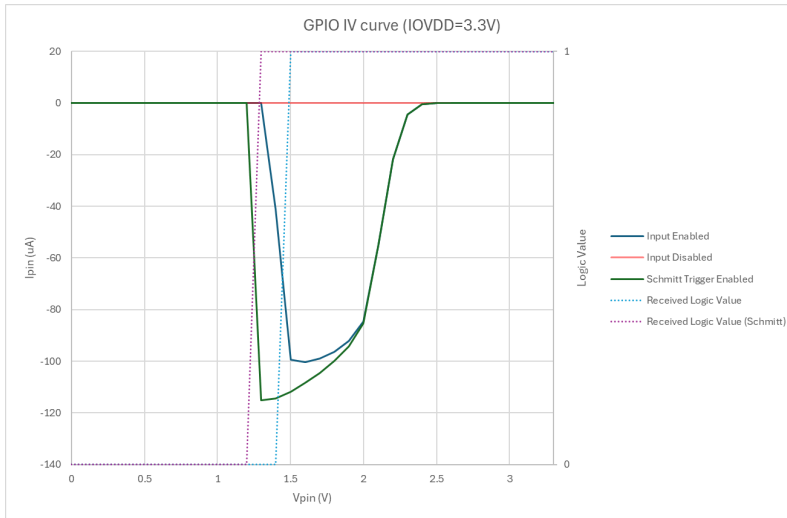
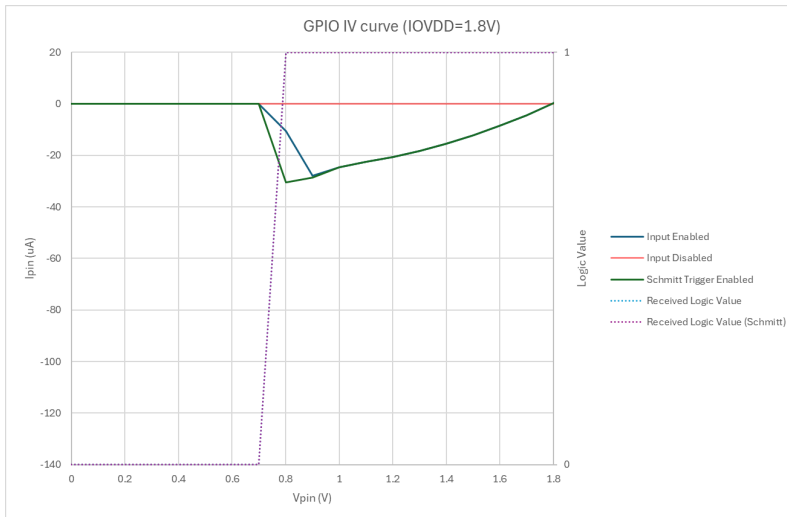


Figure 154. GPIO Pad leakage for IOVDD=1.8 V



Hazard3

RP2350-E4

| | |
|------------------|-----------|
| Reference | RP2350-E4 |
|------------------|-----------|

| | |
|--------------------|--|
| Summary | System Bus Access stalls indefinitely when core 1 is in clock-gated sleep |
| Affects | RP2350 A2, RP2350 A3, RP2350 A4 |
| Description | <p>System Bus Access (SBA) is a RISC-V debug feature that allows the Debug Module direct access to the system bus, independent of the state of harts in the system. RP2350 implements SBA by arbitrating Debug Module bus accesses with the core 1 load/store port.</p> <p>Hazard3 implements custom low-power states controlled by the MSLEEP CSR. When MSLEEP.DEEPSLEEP is set, Hazard3 completely gates its clock, with the exception of the minimal logic required to wake again. Due to a design oversight, this also clock-gates the arbiter between SBA and load/store bus access. (This is addressed in upstream commit c11581e.)</p> <p>Consequently, if you initiate an SBA transfer whilst MSLEEP.DEEPSLEEP is set on core 1, and core 1 is in a WFI-equivalent sleep state, the SBA transfer will make no progress until core 1 wakes from the WFI state. The processor wakes upon an enabled interrupt being asserted, or a debug halt request.</p> |
| Workaround | <p>Either configure your debug translator to not use SBA, or don't enter clock-gated sleep on core 1. The A2 bootrom mitigates this issue by not setting DEEPSLEEP in the initial core 1 wait-for-launch code.</p> <p>The processors are synthesised with hierarchical clock gating, so the top-level clock gate controlled by the DEEPSLEEP flag brings minimal power savings over a default WFI sleep state.</p> |
| Fixed by | Documentation |

RP2350-E6

| | |
|--------------------|--|
| Reference | RP2350-E6 |
| Summary | PMPCFGx RWX fields are transposed |
| Affects | RP2350 A2, RP2350 A3, RP2350 A4 |
| Description | <p>The Physical Memory Protection unit (PMP) defines read, write and execute permissions (RWX) for configurable ranges of physical memory. The RWX permissions for four regions are packed into each 32-bit PMPCFG register, PMPCFG0 through PMPCFG3.</p> <p>Per the RISC-V privileged ISA specification, the permission fields are ordered X, W, R from MSB to LSB. Hazard3 implements them in the order R, W, X. This means software using the correct bit order will have its read permissions applied as execute, and vice versa. (See upstream commit 7d37029.)</p> |
| Workaround | When configuring PMP with X != R, use the bit order implemented by this version of Hazard3. In the SDK, the hardware/regs/rvcsr.h register header provides bitfield definitions for the as-implemented order when building for RP2350. |
| Fixed by | Documentation |

RP2350-E7

| | |
|------------------|---|
| Reference | RP2350-E7 |
| Summary | U-mode doesn't ignore mstatus.mie |
| Affects | RP2350 A2, RP2350 A3, RP2350 A4 |

| | |
|--------------------|--|
| Description | <p>The <code>MSTATUS.MIE</code> bit is a global enable for interrupts that target M-mode. Software generally clears this momentarily to ensure short critical sections are atomic with respect to interrupt handlers.</p> <p>The RISC-V privileged ISA specification requires that the interrupt enable flag for a given privilege mode is treated as <code>1</code> when the hart is in a lower privilege mode. In this case, <code>mstatus.mie</code> should be treated as <code>1</code> when the core is in U-mode.</p> <p>Hazard3 doesn't implement this rule, so entering U-mode with M-mode interrupts disabled results in no M-mode interrupts being taken. (See upstream commit a84742a.)</p> |
| Workaround | When returning to U-mode from M-mode via an <code>mret</code> with <code>mstatus.mpp == 0</code> , ensure <code>mstatus.mpie</code> is set, so that IRQs will be enabled by the return. |
| Fixed by | Documentation |

OTP

RP2350-E16

| | |
|--------------------|---|
| Reference | RP2350-E16 |
| Summary | <code>USB_OTP_VDD</code> disruption can result in corrupt OTP row read data |
| Affects | RP2350 A2 |
| Description | <p>The OTP array has a read voltage generated from <code>USB_OTP_VDD</code> using an internal linear regulator. While the regulator has a "power good" signal, it isn't sampled outside of the initial power-on reset startup sequence. External manipulation of <code>USB_OTP_VDD</code> can result in incorrect data being latched during the array read phase.</p> <p>The erroneous behaviour includes, but isn't limited to:</p> <ul style="list-style-type: none"> • Latching the previous read cycle data from the array • One or many bitlines returning zeroes for programmed bits • Byte-shifted read data <p>In the case of guarded reads, the first failure mode can result in the guard read check passing and the guard word also ending up as the read data. If the critical data are the <code>CRIT0/CRIT1</code> flags, sampled by the OTP PSM during boot, this can enable Hazard3 debug and disable the Arm cores, which results in a reversion of the effects of the <code>CRIT1.SECURE_BOOT_ENABLE</code> and <code>CRIT1.DEBUG_DISABLE</code> flags.</p> <p>Guarded ECC reads aren't typically vulnerable to corruption of this nature as the guard word is an invalid ECC word, and bit deletion or byte shifting reliably invalidates the ECC check.</p> <p>RP2350 A3 incorporates more safeguards against erroneous OTP behaviour. If any of the following checks fail, the chip is reset back to the start of the OTP PSM stage.</p> <ul style="list-style-type: none"> • The OTP regulator OK signal is continuously checked whenever OTP PSM or user accesses are being performed. • Bit 0 of the row read address selects either the first or second ROM calibration word (<code>0x333333</code> or <code>0xc00000</code>) for any guarded read, and is validated accordingly. • Reserved-0 bits in the <code>CRIT0/1</code> rows are checked as reading 0 in the OTP PSM. <p>These checks are performed regardless of the security state of the chip. The OTP regulator check may be masked with bit 2 of the <code>AUXCTRL</code> register.</p> |
| Credit | Aedan Cullen (see https://github.com/aedancullen/hacking-the-rp2350) |

| | |
|-------------------|-----------|
| Workaround | None |
| Fixed by | RP2350 A3 |

RP2350-E17

| | |
|--------------------|--|
| Reference | RP2350-E17 |
| Summary | Performing a guarded read on a single ECC OTP row causes a fault if the data in the adjacent row isn't also valid ECC data. |
| Affects | RP2350 A2, RP2350 A3, RP2350 A4 |
| Description | <p>Each "ECC row" in OTP stores 16 bits of user data along with error correction information used to correct and/or detect bit errors. ECC rows are used to store data value, which are written a full 16 bits at a time into OTP.</p> <p>A "guarded" ECC row read is intended to be used by the RP2350 boot path, or other Secure software when it expects to read an ECC row and can't proceed if the row value is invalid. Reading such an invalid ECC value through a "guarded" read halts the chip until it's rebooted.</p> <p>If ECC row programming is interrupted, an ECC row might contain a value that fails ECC validation. Because any ECC could potentially contain an invalid, partially written value, the bootrom uses a separate "enable" flag in OTP to indicate whether a particular ECC row is expected to contain a valid value. The user is expected to only set this flag <i>after</i> a particular ECC row is known to have been written correctly.</p> <p>The RP2350 OTP hardware actually reads a pair of rows (starting on the even row) whenever an ECC read is performed but only returns one row value. When performing a guarded ECC read, it actually checks both rows validity, so the guarded read can cause a halt if either row in the pair isn't a valid ECC value.</p> |
| Workaround | <ul style="list-style-type: none"> • Never store ECC rows and RAW rows in the same pair of rows (a pair of rows starting on an even row number), since the RAW row is unlikely to always contain a valid ECC value. Note however that zero in a RAW row is a valid ECC value. • Never store two ECC rows in the same pair of rows if they are protected by different "enable" flags. <p>This workaround is fine for user use of OTP, however certain pre-existing ECC row pairs used by the bootrom violate workaround 2:</p> <ul style="list-style-type: none"> • FLASH_DEVINFO and FLASH_PARTITION_SLOT_SIZE • BOOTSEL_LED_CFG and BOOTSEL_PLL_CFG <p>To be absolutely safe, don't update and set the "enable" flag for one half of the pair after you have set the "enable" flag for the other half. If you want to set both ECC values safely, set them both, then set both "enable" flags.</p> |
| Fixed by | Documentation |

RP2350-E28

| | |
|------------------|---|
| Reference | RP2350-E28 |
| Summary | OTP keys for pages 62/63 are applied to all lock words 0 through 63 |
| Affects | RP2350 A2, RP2350 A3, RP2350 A4 |

| | |
|--------------------|--|
| Description | <p>As described in Section 13.5, the uppermost 64 words (128 rows) of OTP contain protection information for each 128-byte page of OTP. The total ECC data capacity of the OTP is $64 \times 128 \text{ B} = 8192 \text{ B}$, so there is one such lock word for each page. The permissions in each lock word n cover OTP rows $64 * n$ through $64 * n + 63$ (inclusive), and they also cover the lock word itself.</p> <p>This makes lock words 62 and 63 special because they don't have any associated OTP page. This is because those pages would overlap with the locations where the lock words are stored. Instead, lock words 62 and 63 should only protect themselves. This rule is applied correctly for the effects of <code>LOCK_NS</code> and <code>LOCK_S</code> bits. However, the protection checks for the <code>KEY_R</code>, <code>KEY_W</code>, and <code>NO_KEY_STATE</code> bits don't handle pages 62 and 63 correctly. Instead, they simply divide the row number by 64 to look up the lock word.</p> <p>The effect is that lock words 0 through 31 have a key protection state defined by <code>PAGE62_LOCK0</code>, and lock words 32 through 63 have a key protection state defined by <code>PAGE63_LOCK0</code>.</p> <p>Conversely, the key configuration in lock words 0 through 61 does not affect the accessibility of those lock words. It only affects the accessibility of the actual data pages protected by those lock words.</p> |
| Workaround | <p>As a partial mitigation, factory programming revokes Non-secure write permission to pages 62 and 63 on all devices. This avoids Non-secure software disabling Secure access to lock words by deliberately installing an invalid key. For the full list of permissions pre-programmed on blank devices, see Section 13.5.5. This mitigation is applied on all versions of RP2350.</p> <p>Software shouldn't rely on OTP access keys for protection of lock words.</p> |
| Fixed by | Documentation |

RCP

RP2350-E26

| | |
|--------------------|--|
| Reference | RP2350-E26 |
| Summary | RCP random delays can create a side-channel |
| Affects | RP2350 A2, RP2350 A3, RP2350 A4 |
| Description | <p>The RCP delay is implemented as a coprocessor stall; this has the effect of completely pausing the associated core. As the core is effectively halted for the duration of the delay, this represents a significant reduction in gate toggle activity across the chip if there are no other bus managers active (e.g. other CPU or DMA). The reduction in toggle activity causes a reduction in DVDD current, and the typical length of the delay means that the reduction is measureable outside of the chip. The reduction in current and subsequent increase may create a fault injection trigger point. Instructions immediately after an RCP delay operation can be more reliably targeted, undoing the cumulative effect of clock randomisation.</p> <p>A second-order effect of the RCP delay probability distribution is that after N RCP instructions for large N, the added latency converges to a normal distribution centred on $N * 63$ cycles. Therefore, instructions after a known number of RCP delays are statistically easier to target.</p> <p>With these two factors in mind, programmers should use RCP delays in Secure code with great care. In particular, avoid using RCP delays:</p> <ul style="list-style-type: none"> • Inside inner loops that may be executed many times. • As part of boilerplate assembly in function prologues/epilogues. • Immediately prior to particularly critical actions, such as modifying <code>ACCESSCTRL</code>. <p>As a mitigation, as of RP2350 A3, the bootrom uses the non-delay variant for all RCP instructions.</p> |
| Workaround | Use of the non-delay RCP instruction variant is recommended. |

| | |
|----------|-------------------------|
| Fixed by | Documentation, Software |
|----------|-------------------------|

SIO

RP2350-E1

| | |
|-------------|---|
| Reference | RP2350-E1 |
| Summary | Interpolator OVERF bits are broken by new right-rotate behaviour |
| Affects | RP2350 A2, RP2350 A3, RP2350 A4 |
| Description | <p>RP2350 replaces the interpolator right-shift with a right-rotate, so that left shifts can be synthesised. This is useful for scaled indexed addressing in tight address-generating loops.</p> <p>The OVERF flag functions by checking for nonzero bits in the post-shift value that have been masked out by the MSB mask configured by the CTRL_LANE0_MASK_MSB and CTRL_LANE1_MASK_MSB register fields. This is used to discard samples outside of the [0, 1) wrapping domain of UV coordinates represented by ACCUM0 and ACCUM1, for example in affine-transformed sprite sampling.</p> <p>The issue occurs because the right-rotate causes nonzero LSBs to be rotated up to the MSBs. These nonzero bits spuriously set the OVERF flag.</p> |
| Workaround | Either compute OVERF manually by checking the ACCUM0/ACCUM1 MSBs, or precompute the bounds in advance to avoid per-sample checks. |
| Fixed by | Documentation |

RP2350-E2

| | |
|-------------|--|
| Reference | RP2350-E2 |
| Summary | SIO SPINLOCK writes are mirrored at +0x80 offset |
| Affects | RP2350 A2, RP2350 A3, RP2350 A4 |
| Description | <p>The SIO contains spinlock registers, SPINLOCK0 through SPINLOCK31. Reading a spinlock register attempts to claim it, returning nonzero if the claim was successful and 0 if unsuccessful. Writing to a spinlock register releases it, so the next claim will be successful. SIO spinlock registers are at register offsets 0x100 through 0x17c within SIO.</p> <p>RP2350 adds new SIO registers at register offsets 0x180 and above: Doorbells, the PERL_NONSEC register, the RISC-V soft IRQ register, the RISC-V MTIME registers, and the TMDS encoder.</p> <p>The SIO address decoder detects writes to spinlocks by decoding on bit 8 of the address. This means writes in the range 0x180 through 0x1fc are spuriously detected as writes to the corresponding spinlock address 128 bytes below, in the range 0x100 through 0x17c. Writing to any of these high registers will set the corresponding lock to the unclaimed state.</p> <p>This erratum only affects writes to the spinlock registers. Reads are correctly decoded, so aren't affected by accesses above 0x17c.</p> |

| | |
|-------------------|--|
| Workaround | <p>Use processor atomic instructions instead of the SIO spinlocks. The SDK <code>hardware_sync_spin_lock</code> library uses software lock variables by default when building for RP2350, instead of hardware spinlocks.</p> <p>The following SIO spinlocks can be used normally because they don't alias with writable registers: 5, 6, 7, 10, 11, and 18 through 31. Some of the other lock addresses may be used safely depending on which of the high-addressed SIO registers are in use.</p> <p>Locks 18 through 24 alias with some read-only TMDS encoder registers, which is safe as only writes are mis-decoded.</p> |
| Fixed by | Documentation, Software |

XIP

RP2350-E11

| | |
|--------------------|---|
| Reference | RP2350-E11 |
| Summary | XIP cache clean by set/way operation modifies the tag of dirty lines |
| Affects | RP2350 A2, RP2350 A3, RP2350 A4 |
| Description | <p>The <code>0x1</code> clean by set/way cache maintenance operation performs the following steps:</p> <ol style="list-style-type: none"> 1. Selects a cache line: address bits <code>12:3</code> index the cache sets, and bit <code>13</code> selects from the two 8-byte cache lines, which make up the ways of each set. 2. Checks if the line contains uncommitted write data (a dirty line). 3. If the line is dirty, writes the data downstream and marks the line as clean. <p>In the third step, in addition to marking the line as clean, the cache controller erroneously sets the cache line's tag to address bits <code>25:13</code> of the maintenance write that initiated the clean operation. The cache uses the tag to recall which of the many possible downstream addresses currently resides in each cache line. Therefore reading the newly tagged address returns cached data from the original address, breaking the memory contract.</p> <p>Consider the following example scenario:</p> <ul style="list-style-type: none"> • QMI window 0 (starting at <code>0x10000000</code>) has a flash device attached • QMI window 1 (starting at <code>0x11000000</code>) has a PSRAM device attached • The cache possesses address <code>0x11000000</code> in the dirty state, and it is allocated in way 0 of the cache <p>The programmer cleans the cache, starting by writing to address <code>0x18000001</code> to clean set 0, way 0. This cleans the dirty line containing address <code>0x11000000</code>. After cleaning, the cache updates this line's tag to all-zeroes (the offset of the maintenance write). A subsequent read from <code>0x10000000</code> results in a spurious cache hit, returning PSRAM data in place of flash data.</p> <p>See Section 4.4.1.1 for more information about cache maintenance operations. See Section 4.4.1.2 for more information about cache line states and state transitions.</p> <p>The tag update <i>only</i> affects <code>0x1</code> clean by set/way; is either correct or harmless for the other four cache maintenance operations.</p> |

| | |
|-------------------|---|
| Workaround | <p>To avoid spurious cache hits, choose an address that can't alias with cached data from the QMI. This remaps dirty lines outside of the QMI address space after cleaning them, which has the side effect of causing a cache miss on the next access to the dirty address. The SDK <code>xip_cache_clean_all()</code> function implements this workaround.</p> <p>The updated tag is predictable: it is always the address of the maintenance write. For example, use the upper 16 kB of the maintenance space to clean all cache lines:</p> <pre style="background-color: #f0f0f0; padding: 10px;"> 1 volatile uint8_t *maintenance_ptr = (volatile uint8_t*)0x1bffc001u; 2 for (int i = 0; i < 0x4000; i += 8) { 3 maintenance_ptr[i] = 0; 4 }</pre> <p>Because the clean operation is a no-op for invalid, clean or pinned lines, this workaround doesn't interfere with lines pinned for cache-as-SRAM use.</p> |
| Fixed by | Documentation, Software |

USB

RP2350-E12

| | |
|------------------|---|
| Reference | RP2350-E12 |
| Summary | Inadequate synchronisation of USB status signals |
| Affects | RP2350 A2, RP2350 A3, RP2350 A4 (mitigated on A3) |

| | |
|---------------------------|---|
| <p>Description</p> | <p>Within the USB peripheral, certain Host and Device controller events cross from <code>clk_usb</code> to <code>clk_sys</code>. Many of these signals don't have appropriate synchronisation methods to ensure that they are correctly registered when <code>clk_sys</code> is equal to or slower than <code>clk_usb</code>.</p> <p>The following signals lack appropriate synchronisation methods:</p> <p>SIE_STATUS:</p> <ul style="list-style-type: none"> • <code>TRANS_COMPLETE</code> • <code>SETUP_REC</code> • <code>STALL_REC</code> • <code>NAK_REC</code> • <code>RX_SHORT_PACKET</code> • <code>ACK_REQ</code> • <code>DATA_SEQ_ERROR</code> • <code>RX_OVERFLOW</code> <p>INTR:</p> <ul style="list-style-type: none"> • <code>HOST_SOF</code> • <code>ERROR_CRC</code> • <code>ERROR_BIT_STUFF</code> • <code>ERROR_RX_OVERFLOW</code> • <code>ERROR_RX_TIMEOUT</code> • <code>ERROR_DATA_SEQ</code> <p>The bootrom's USB bootloader derives <code>clk_sys</code> from <code>p11_usb</code>. Therefore, the two clock frequencies are identical and have a fixed phase relationship. Under this condition, and at extremes of PVT, lab testing has shown that these events can be lost, which results in unreliable USB bootloader behaviour.</p> <p>RP2350 A3 incorporates hardware fixes that improve timing margins on signals critical to the bootrom, ensuring reliable operation across PVT. However, software must not rely on these fixes, and so they aren't elaborated on.</p> |
| <p>Workaround</p> | <p>Run <code>clk_sys</code> faster than <code>clk_usb</code> by at least 10% when the peripheral is in use. Signalling of quasi-static bus states such as reset, suspend, and resume aren't affected by this erratum, so <code>clk_sys</code> can be lower in these cases.</p> |
| <p>Fixed by</p> | <p>Documentation, Software</p> |

Appendix H: Documentation release history

29 July 2025

- Added hardware revision history ([Appendix C](#)), and documented steppings A3 and A4.
- Added new errata.
- Added storage temperature information to [Table 1433](#).
- Corrected minor typos and formatting issues.
- Updated existing errata entries to indicate fix status.
- Updated register reset values of [FREQA.DS0_RANDOM](#), [FREQA.DS1_RANDOM](#), [CLK_SYS_CTRL.SRC](#), and [CLK_SYS_CTRL.AUXSRC](#) to reflect changes in RP2350 A3.

20 February 2025

- Added new errata.

04 December 2024

- Updated register data.

16 October 2024

- Clarified some *and* and *or* logic in [M33 Execution Timings](#).

15 October 2024

- Corrected minor typos and formatting issues.
- Added M33 instruction timings section.
- Added link to recommended crystal.
- Documented GPIO bus keeper mode ([Section 9.6.1](#)), which was previously only described in SDK documentation

6 September 2024

- Enhanced [RP2350-E9](#) errata description with additional details.
- Improved description of debug and trace components.
- Fixed some minor typos.

- Implemented some minor readability improvements.
- Fixed word inaccuracy in the Minimum Arm `IMAGE_DEF` description.

8 August 2024

- Initial release.



Raspberry Pi is a trademark of Raspberry Pi Ltd