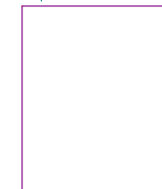
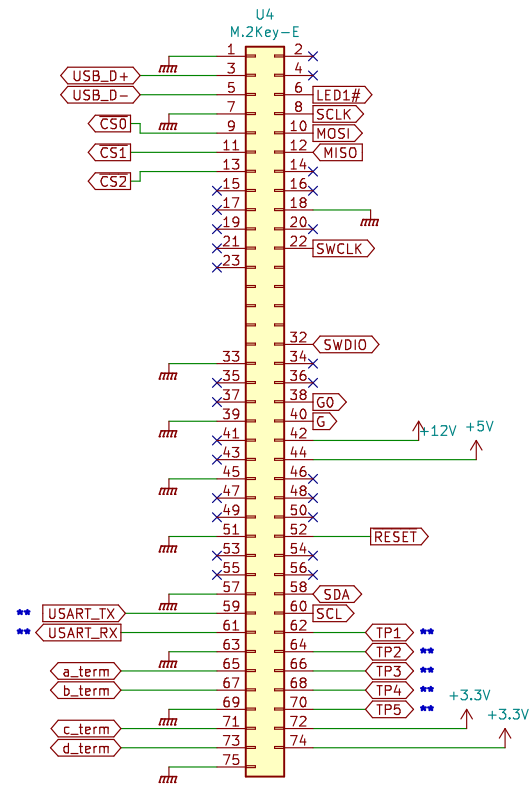


ExpansionConnector



File: expansion.kicad\_sch



\*\* Only on TEST & CALIBRATION RIGS